

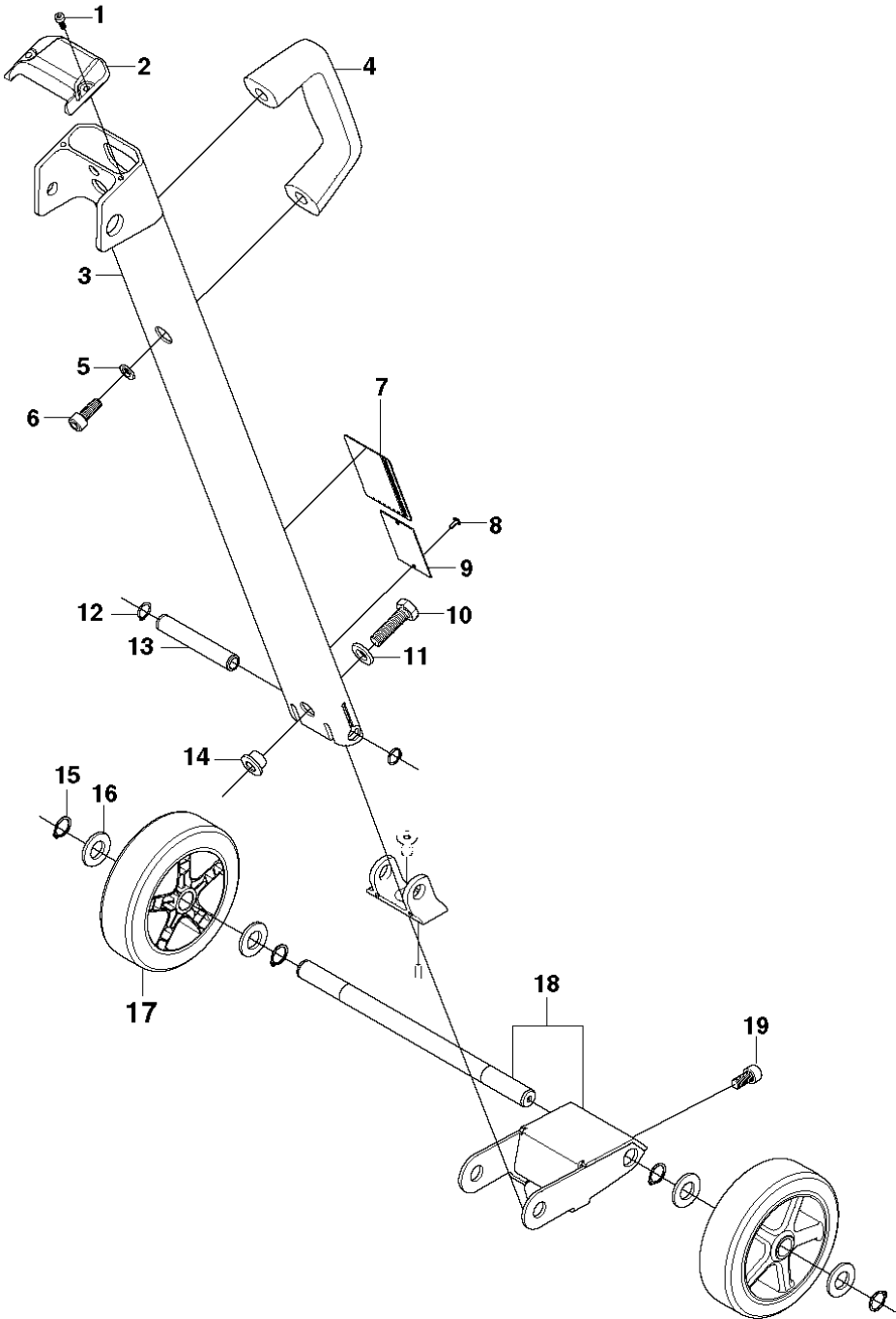


# SPARE PARTS LIST

DRILLING EQUIPMENT

DS250, 2008-27

**B**

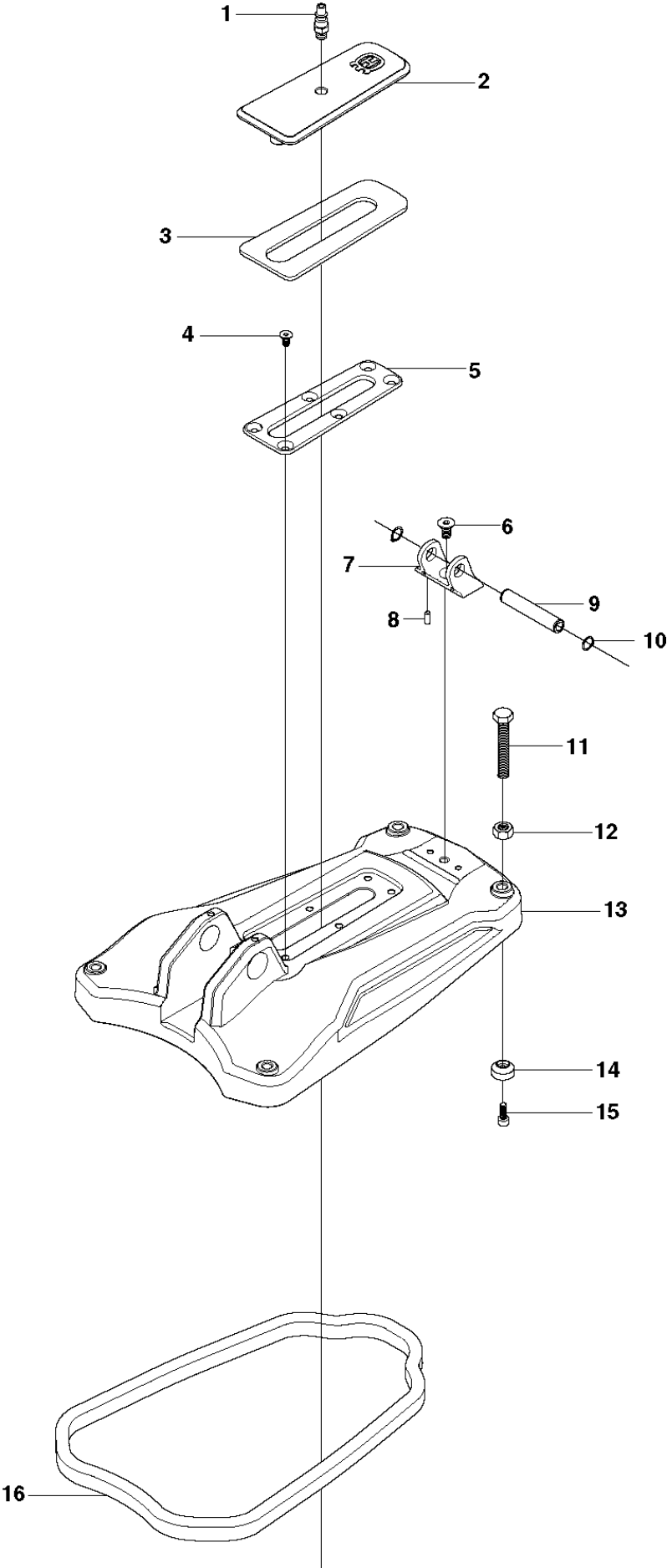


## BACK SUPPORT

DS250, 2008-27

Ref	Part No	Description	Remark	QTY KIT
1	725 52 89-01	SCREW IHSCM		2
2	541 40 48-99	BACK SUPPORT PLASTIC GUARD		1
3	541 40 48-83	DS 250 BACK SUPPORT WELDMENT		1
4	541 40 49-09	HANDLE		1
5	734 11 63-01	WASHER		2
6	725 54 51-01	SCREW IHSCM		2
7	541 40 40-98	DRILL OPERATING/INSTRUCTION DEC		1
8	722 78 25-03	BLIND RIVET		2
9	541 40 51-67	DS 250 CE COMPLIANCE PLATE		1
10	725 24 97-71	SCREW EHHM		1
11	734 11 72-01	WASHER		1
12	735 31 15-00	CIRCLIP		2
13	541 40 50-88	DS 250 BACK SUPPORT PIVOT AXLE		1
14	541 40 50-67	COLUMN CLAMP BUSHING		1
15	734 11 82-01	WASHER		4
16	541 40 50-84	WHEEL		4
17	735 31 17-01	CIRCLIP		2
18	541 40 50-87	WHEEL KIT FRAME WELDMENT		1
19	725 54 49-01	SCREW IHSCM		1

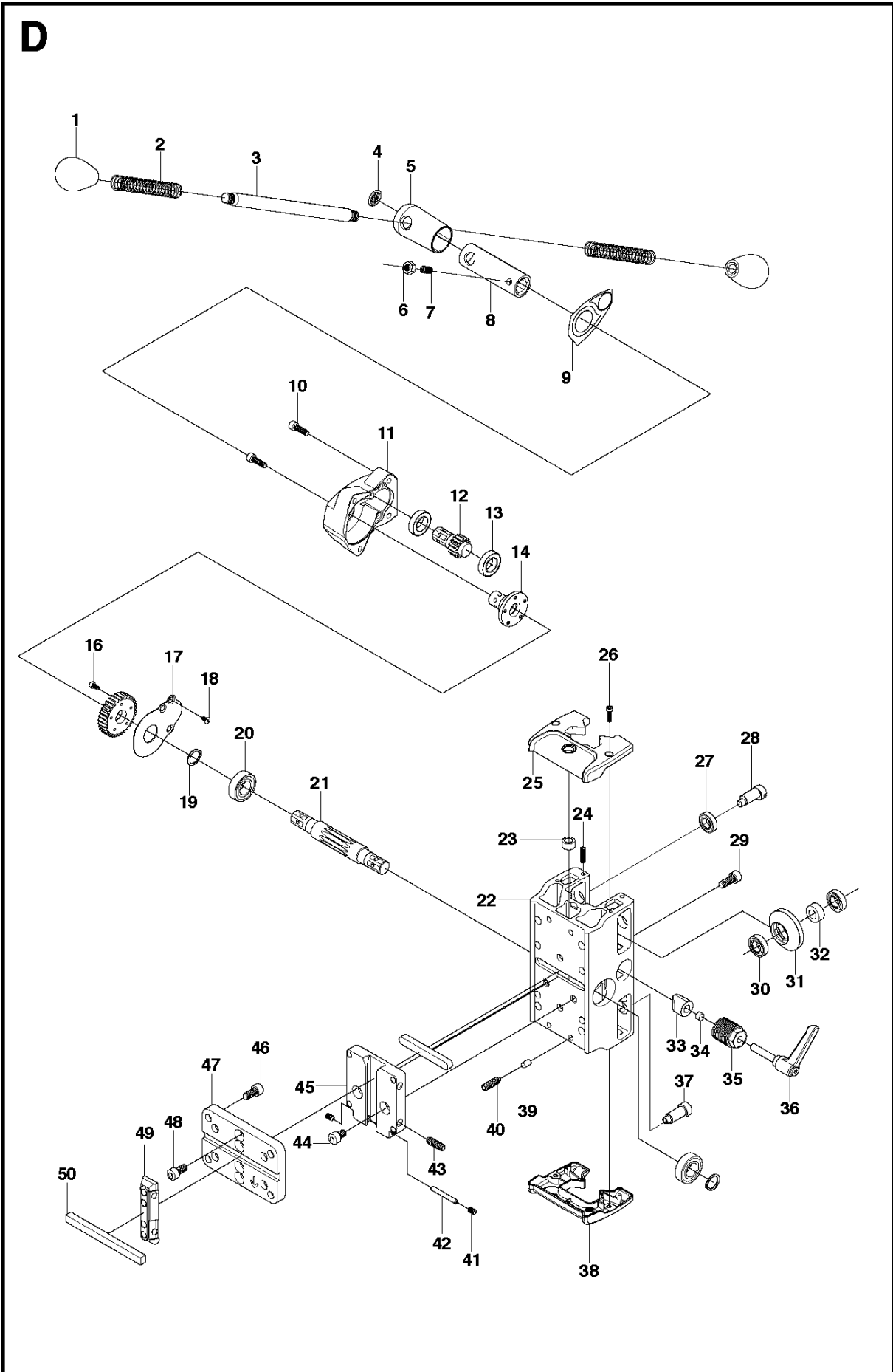
# A



## BASE PLATE

DS250, 2008-27

Ref	Part No	Description	Remark	QTY KIT
1	541 40 40-71	1/8 NPT MALE FITTING/		1
2	541 40 49-04	MACHINED VACUUM CAP		1
3	541 40 49-03	VACUUM GASKET / VACUUM CAP		1
4	725 63 66-01	SCREW IHCSFM		6
5	541 40 48-92	SLOT GUARD		1
6	725 64 49-01	SCREW IHCSFM		1
7	541 40 40-80	LEVELING SCREW/		1
8	541 40 48-87	BACK SUPPORT BASE MOUNT		4
9	541 40 48-61	MACHINED COMBO BASE		1
10	731 23 20-01	HEXAGON NUT		4
11	541 40 40-84	LEVELING SCREW CAP/		4
12	725 53 68-01	SCREW IHSCM		4
13	541 40 48-91	VACUUM GASKET / COMBO BASE		1
14	735 31 15-00	CIRCLIP		2
15	720 13 06-50	PARALLEL PIN		2
16	541 40 50-88	DS 250 BACK SUPPORT PIVOT AXLE		1

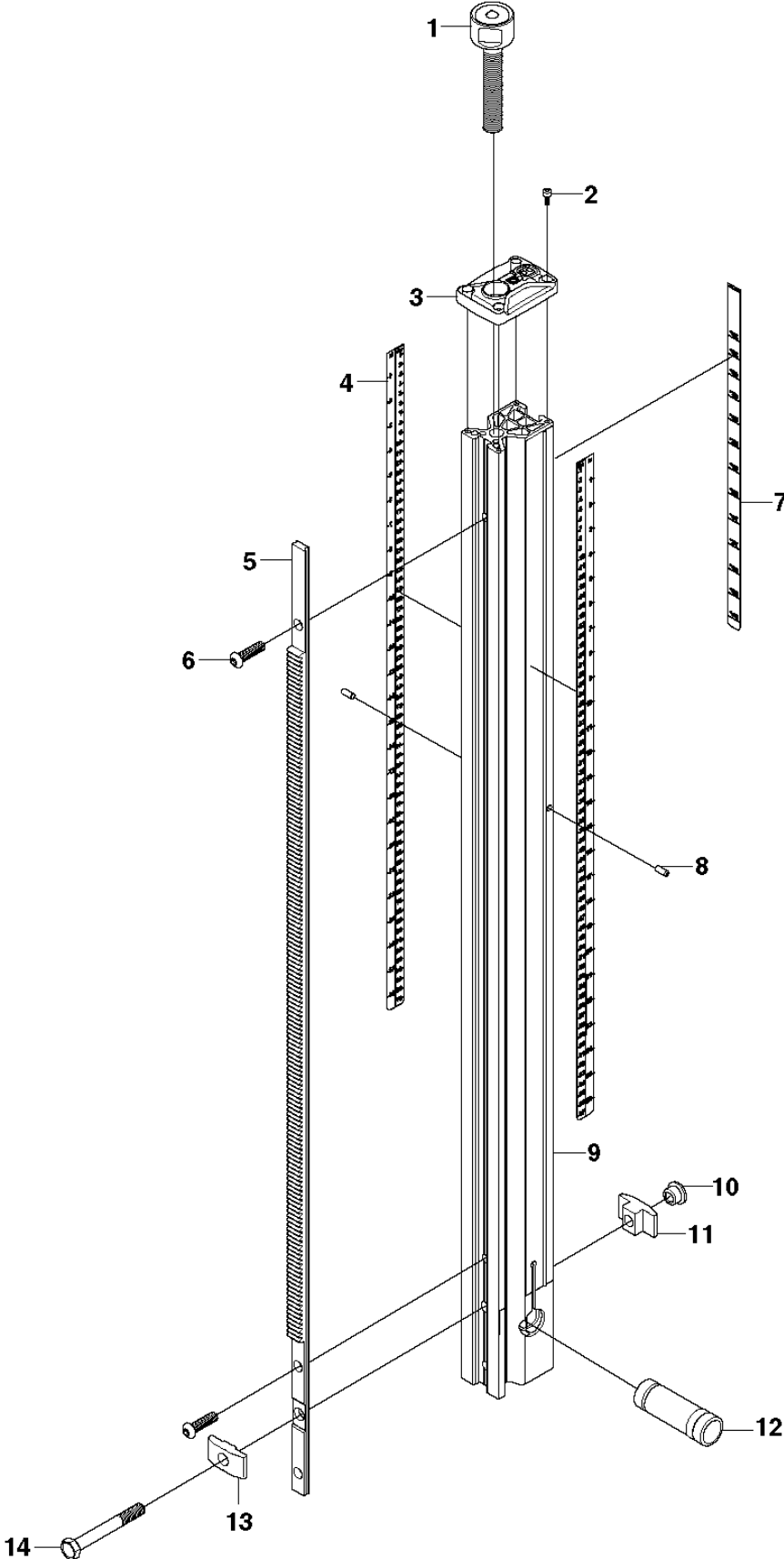


## CARRIAGE

DS250, 2008-27

Ref	Part No	Description	Remark	QTY KIT
1	531 14 06-72	GRIP		2
2	541 40 51-63	FEEDING CRANC SPRING		2
3	541 40 49-05	FEEDING CRANK SHAFT		1
4	541 40 50-47	CAP DECAL		1
5	541 40 51-37	FEEDING HANDLE PLASTIC COVER		1
6	732 21 18-01	LOCK NUT		1
7	541 40 41-33	M8X1.25 BALL PLUNGER DS160C		1
8	541 40 40-44	TRAVEL LEVER DRIVE SHAFT/		1
9	541 40 49-35	GEAR HOUSING DECAL		1
10	725 53 72-01	SCREW IHSCM		5
11	541 40 49-27	GEAR HOUSING MACHINED		1
12	541 40 49-11	1.5 MODULE 22.5 P.D. 15 TOOTH 20 DEGREE INVOLUTE G		1
13	541 40 49-10	17MM I.D.X 30MMO.D.X 7MM WIDTH BEARING (6903-2NSE)		2
14	541 40 49-13	INPUT SHAFT EXTENSION PLATE		1
16	725 52 87-01	SCREW IHSCM		5
17	541 40 49-28	GEAR HOUSING COVER PLATE		1
18	725 62 87-01	SCREW IHCSFM		3
19	735 31 19-00	CIRCLIP		2
20	738 21 03-04	BALL BEARING		2
21	541 40 48-06	CARRIAGE DRIVE SHAFT		1
22	541 40 47-98	MACHINED CARRIAGE		1
23	541 40 50-36	LEVEL BUBBLE		1
24	728 73 70-01	SCREW IHSETM		4
25	541 40 48-00	CARRIAGE PLASTIC GUARD - TOP		1
26	725 52 93-01	SCREW IHSCM		4
27	541 40 48-03	ECCENTRIC BUSHING		4
28	541 40 48-05	ECCENTRIC SHAFT		2
29	725 54 51-01	SCREW IHSCM		2
30	725 54 30-01	TBD		3
31	541 40 40-34	12MM I.D.X24MMO.DX6MM/WITH BEA		8
32	541 40 48-95	NYLON ROLLER		4
33	541 40 40-36	SPACER		4
34	541 40 48-66	FRICTION BRAKE		1
35	541 40 48-65	BRAKE THRUST PLATE		1
36	541 40 48-64	FRICTION BRAKE CUP		1
37	541 40 48-62	CARRIAGE PLASTIC GUARD - BOTTOM		1
38	541 40 48-04	STRAIGHT SHAFT		2
39	541 40 48-62	CARRIAGE PLASTIC GUARD - BOTTOM		1
40	541 40 40-32	GUIDE CYLINDER/		2
41	728 64 53-01	SCREW IHSETM		4
42	728 83 64-01	SCREW IHSETM		2
43	720 13 18-50	PARALLEL PIN		1
44	728 74 55-01	SCREW IHSETM		2
45	725 54 47-01	SCREW IHSCM		2
46	541 40 51-41	QUICK ATTACH DOVE TAIL RECEIVER		1
47	541 40 51-42	QA DOVETAIL BRACKET		1
48	725 54 49-01	SCREW IHSCM		8
49	541 40 51-39	QA MOTOR PLATE		1
50	725 54 49-01	SCREW IHSCM		8
51	541 40 51-43	10MM X 9MM RECTANGULAR KEY		1

C





COLLUMN ASSY

DS250, 2008-27

Ref	Part No	Description	Remark	QTY KIT
1	541 40 48-09	JACKING SCREW ASSEMBLY		1
2	725 52 89-01	SCREW IHSCM		4
3	541 40 48-68	COULMN PLASTIC GUARD		1
4	541 40 40-54	DEPTH MEASUREMENT DECAL/		2
5	541 40 48-78	DS 250 RACK		1
6	541 40 48-15	SCREW IHPANM		3
7	541 40 48-82	ANGLE MEASUREMENT DECAL		1
8	720 13 06-50	PARALLEL PIN		2
9	541 40 47-95	DS 250 COLUMN EXTRUSION MACHINED		1
10	541 40 50-67	COLUMN CLAMP BUSHING		1
11	541 40 48-70	COLUMN CLAMP - BACK		1
12	725 25 07-51	SCREW EHHM		1
13	541 40 48-69	COLUMN CLAMP - FRONT		1
14	541 40 48-81	COLUMN PIVOT AXLE		1