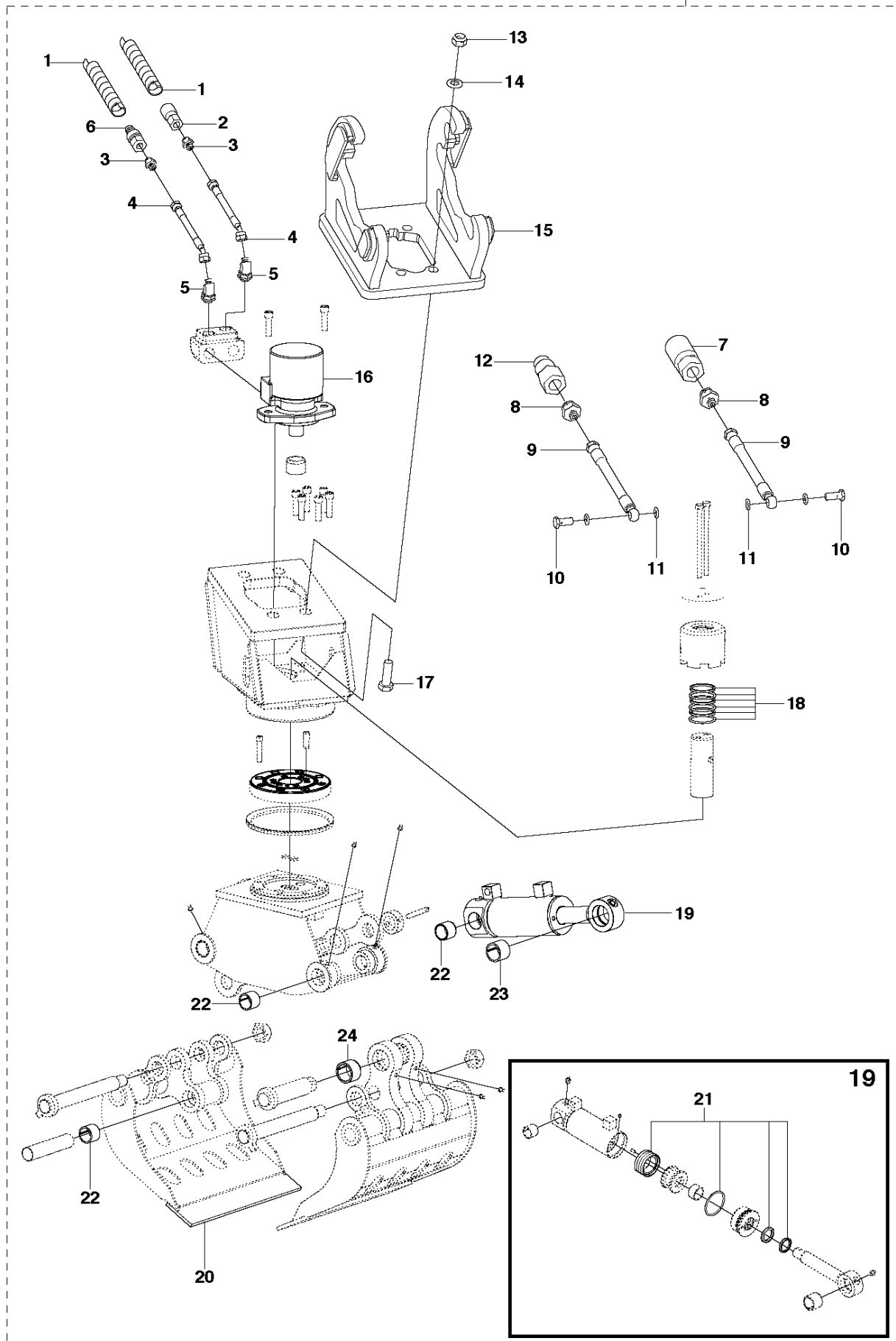




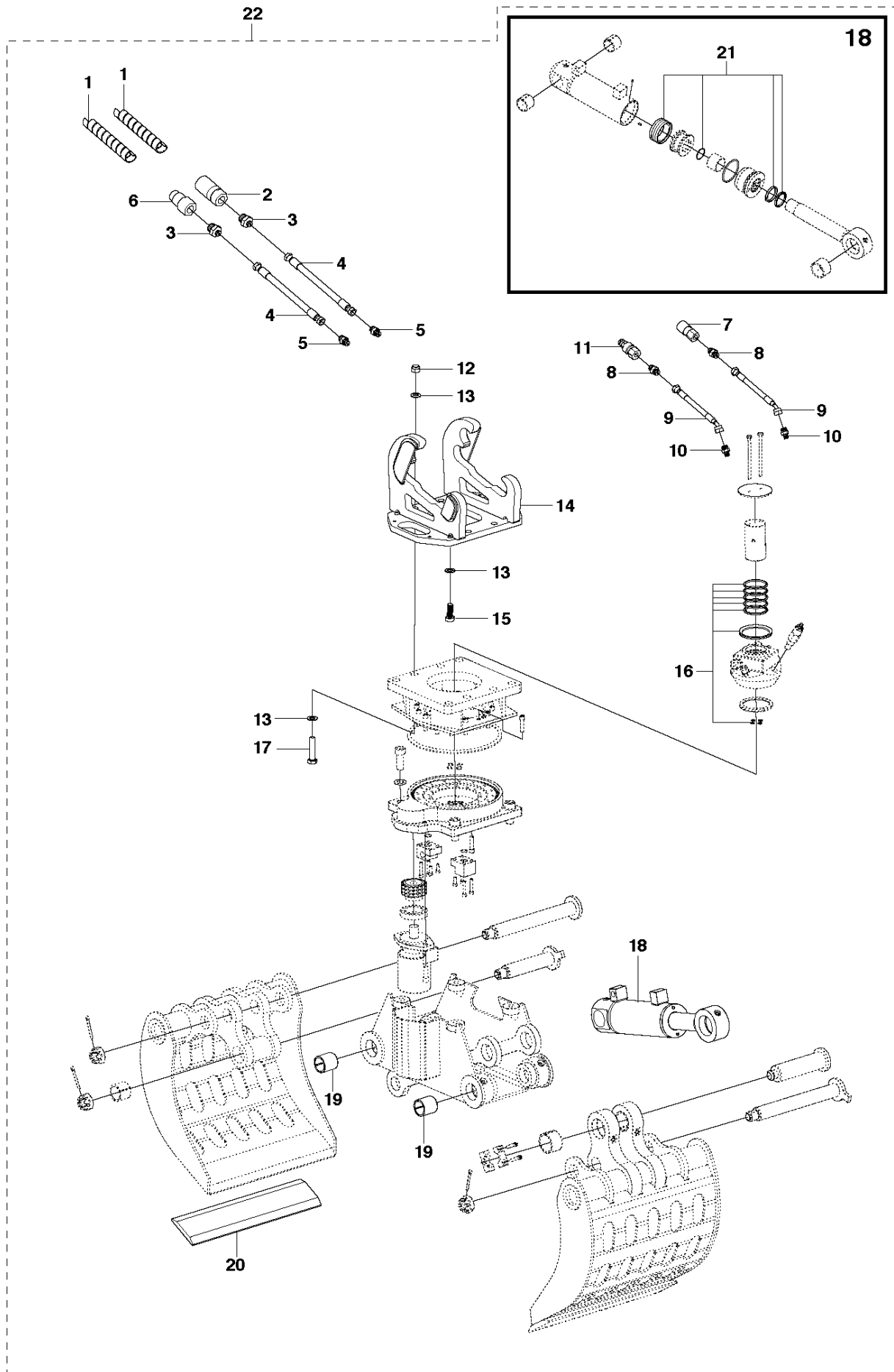
SPARE PARTS LIST

ACCESSORIES AND TOOLS

GRAPPLER



Ref	Part No	Description	Remark	QTY KIT	
1	523 04 32-03	PROTECTIVE SPIRAL		2	
2	576 37 34-01	QUICK COUPLING		1	
3	510 24 58-01	ADAPTER		2	
4	585 55 15-02	HOSE ASSY		2	
5	586 87 61-01	ADAPTER		2	
6	576 37 32-01	QUICK COUPLING		1	
7	510 26 81-01	QUICK COUPLING		1	
8	586 76 72-01	ADAPTER		2	
9	587 06 20-01	HOSE ASSY		2	
10	587 06 21-01	SCREW		2	
11	574 66 42-01	WASHER		4	
12	510 26 80-01	QUICK COUPLING		1	
13	522 66 97-01	LOCKING NUT		4	
14	522 67 19-01	WASHER		4	
15	586 06 20-01	ADAPTER		1	
16	586 75 22-01	ROTOR		1	
17	522 66 79-01	SCREW EHHM		4	
18	586 75 14-01	SEAL KIT		1	
19	586 75 21-01	HYDRAULIC CYLINDER		1	
20	586 75 24-01	WEAR PLATE		2	
21	586 75 11-01	SEAL KIT		1	19
22	586 74 93-01	BUSHING		8	19
23	586 75 05-01	BUSHING		1	19
24	586 75 07-01	BUSHING		2	
25	586 74 29-01	TOOL		1	



Ref	Part No	Description	Remark	QTY KIT
1	523 04 32-03	PROTECTIVE SPIRAL		2
2	510 26 81-01	QUICK COUPLING		1
3	586 76 72-01	ADAPTER		2
4	510 06 97-16	HOSE ASSY		2
5	510 24 58-01	ADAPTER		2
6	510 26 80-01	QUICK COUPLING		1
7	576 37 34-01	QUICK COUPLING		1
8	510 24 58-01	ADAPTER		2
9	585 55 15-02	HOSE ASSY		2
10	505 26 84-01	ADAPTER		2
11	576 37 32-01	QUICK COUPLING		1
12	522 80 89-01	SCREW EHHM		4
13	522 67 19-01	WASHER		12
14	586 04 90-01	ADAPTER		1
15	586 16 41-02	SCREW EHHM		4
16	586 75 41-01	SEAL KIT		1
17	522 66 97-01	LOCKING NUT		4
18	586 75 43-01	HYDRAULIC CYLINDER		1
19	586 75 51-01	BUSHING		4
20	586 75 48-01	WEAR PLATE		2
21	586 75 39-01	SEAL KIT		1
22	586 74 30-01	TOOL		1