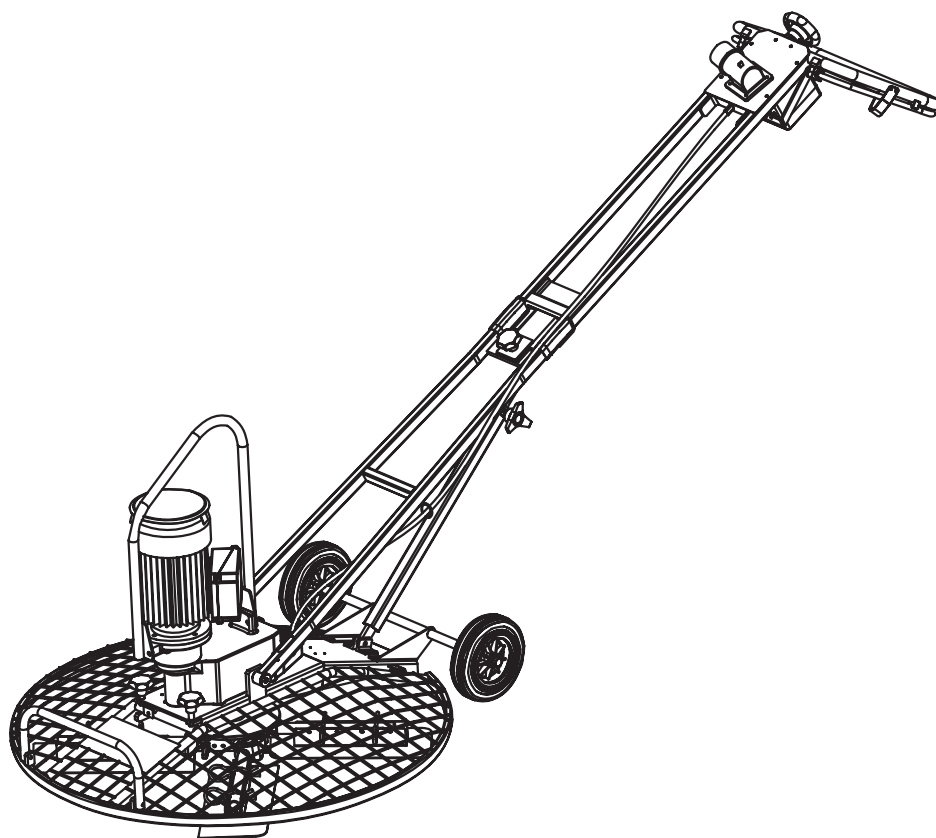


BG Combi

Spare parts list

Trowel



General information

This spare parts list applies to the following:

Part number	Description
967929401	Trowel BG Combi E-L-TP 850 mm (33.46 in.)
967929501	Trowel BG Combi E-L-TP 1000 mm (39.37 in.)

Use only authorized parts. Any damage or malfunction caused by the use of unauthorized parts is not covered by Warranty or Product Liability. Any unauthorized use or copying of the contents or any part thereof is prohibited. This applies in particular to trademarks, model denominations, part numbers, and drawings.

Instructions for use

This spare parts list contains no safety regulations and is merely intended to assist in the ordering of spare parts.

For information about operating, servicing, or repairing, the relevant Safety and operating instructions must be consulted at all costs.

Please observe the safety instructions listed in the relevant Safety and operating instructions!

Contents

Spare parts list

Handle 4
Electric equipment 7
Bridge and motor installation 10
Protection ring (855 mm) 13
Protection ring (1000 mm) 16
Blade assembly 18
Labels 20

Accessories

Consumables 22

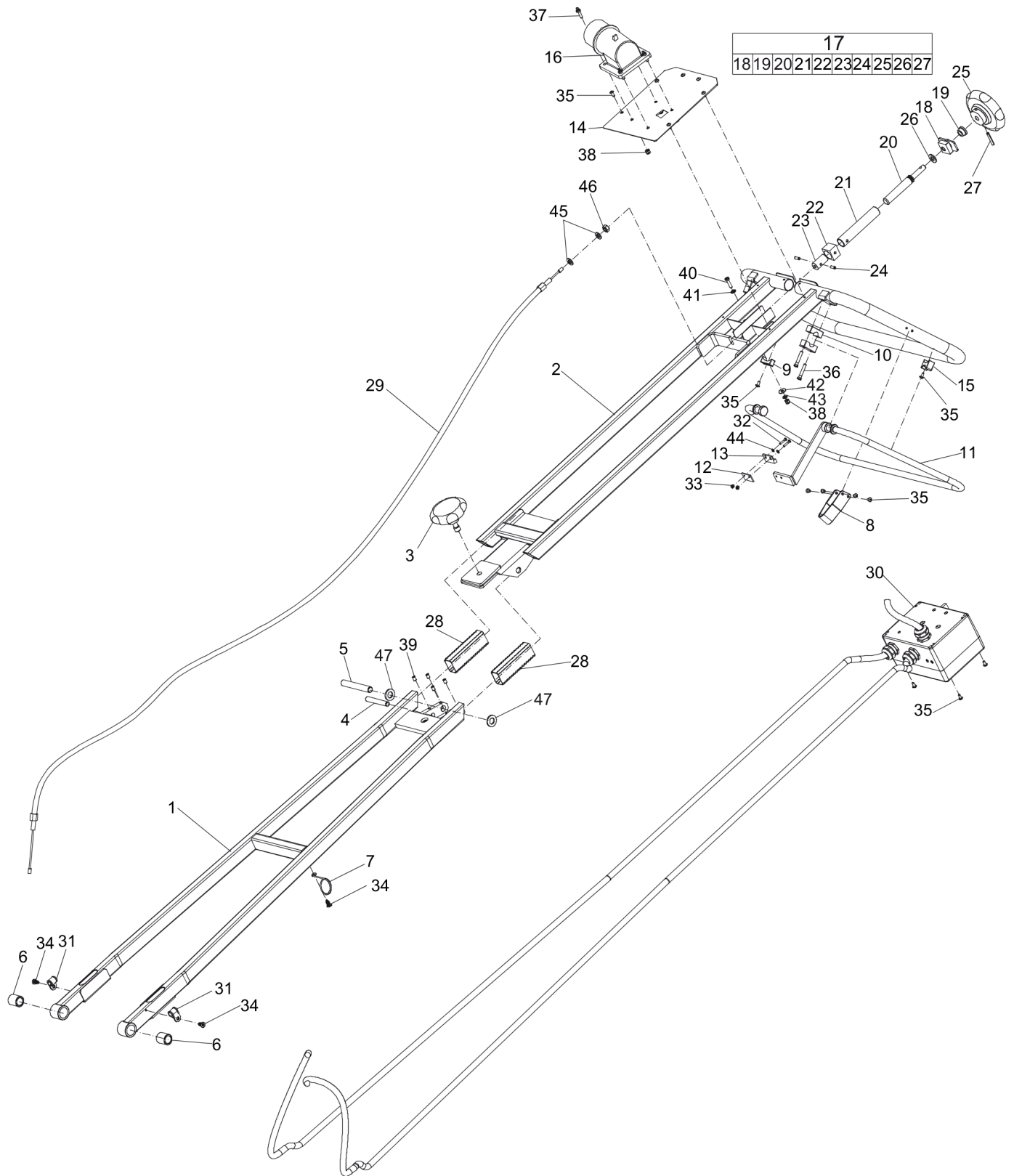
Kits

Bolt on blade kit 24
Maintenance kit 26

Wiring diagram

Wiring diagram 28

Spare parts list Handle



Refer to Parts Online for the most up to date information. The printed information might be outdated.

Wed Oct 08 03:32:31 MDT 2014

Item	Part No.	Name	Qty	L
1	596865969	Handle	1	A
2	596865968	Handle	1	B
3	594150101	Knob	1	
4	596865981	Guide shaft	1	
5	596865979	Axle	1	
6	596865982	Bearing	2	C
7	594246501	Wire holder	1	
8	594149501	Catch	2	
9	596865984	Guidance	1	D
10	594149401	Bearing half	4	
11	594961501	Safety catch	1	
12	594149701	Insulating washer	1	
13	594150201	Magnet	1	
14	596865980	Lid	1	
15	596865985	Guidance	1	E
16	594150401	Appliance inlet	1	
17	594199901	Blade adjuster, complete	1	
.18	--	Bearing holder	1	
.19	--	Flange bearing	1	
.20	--	Adjusting screw	1	
.21	--	Adjusting nut	1	
.22	--	Guiding	1	
.23	--	Wire lock	1	
.24	--	Set screw	2	
.25	--	Knob	1	
.26	--	Plane washer, Ø10 x 2 mm, Ø0.39 x 0.08 in.	1	
.27	--	Spring pin, Ø5 x 30 mm, Ø0.20 x 1.18 in.	1	
28	594150601	Rubber bellow	2	
29	594150501	Blade adjusting wire	1	
30	594164301	Electric equipment	1	F
31	594125501	Pipe clamp	2	
32	-	Slotted screw, M3 x 16 mm	2	
33	-	Lock nut, M3	2	
34	595350501	Tapping screw	3	
35	594121801	Tapping screw	20	
36	-	Slotted screw, M5 x 30 mm	4	
37	-	Slotted screw, M5 x 16 mm	4	

Refer to Parts Online for the most up to date information. The printed information might be outdated.

Wed Oct 08 03:32:31 MDT 2014

Item	Part No.	Name	Qty	L
38	-	Lock nut, M5	5	
39	-	Set screw, M6 x 8 mm	4	
40	-	Slotted screw, M5 x 20 mm	1	
41	595037001	Serrated washer	1	
42	-	Washer, Ø5 x 1.2 mm, Ø0.20 x 0.05 in.	1	
43	-	Washer, Ø5 x 1 mm, Ø0.20 x 0.04 in.	1	
44	-	Washer, Ø3 x 0.5 mm, Ø0.12 x 0.02 in.	2	
45	-	Washer, Ø8 x 1.6 mm, Ø0.31 x 0.06 in.	2	
46	-	Hexagon nut, M8	1	
47	-	Washer, Ø13 x 2.5 mm, Ø0.51 x 0.10 in.	2	

Comments for Page: Handle

(L)OCAL REMARKS

A | Lower part

B | Upper part

C | Bronze

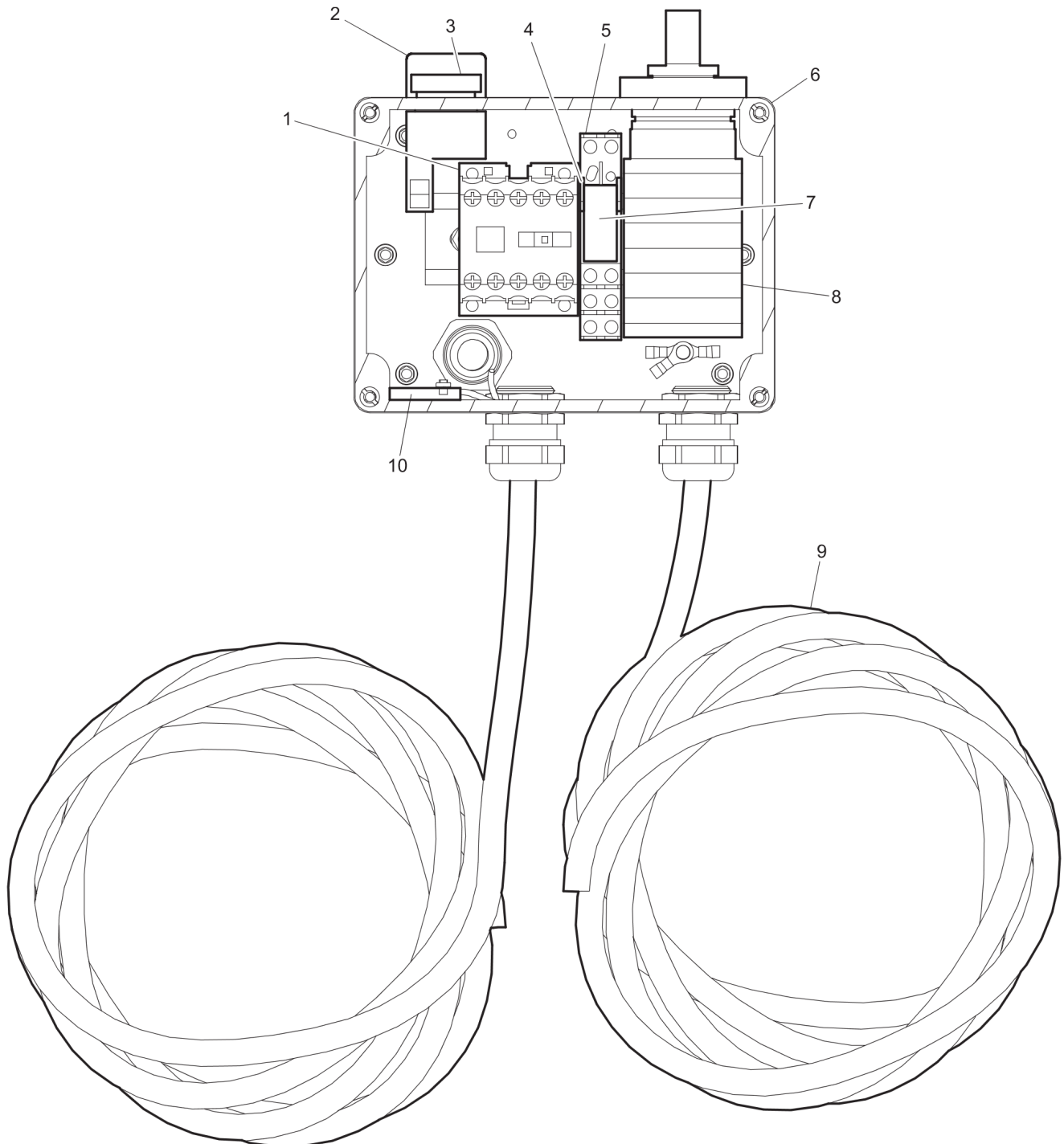
D | Left

E | Right

F | For detailed information, see section "Electric equipment"

This page intentionally left blank

Spare parts list Electric equipment



Refer to Parts Online for the most up to date information. The printed information might be outdated.

Wed Oct 08 03:32:32 MDT 2014

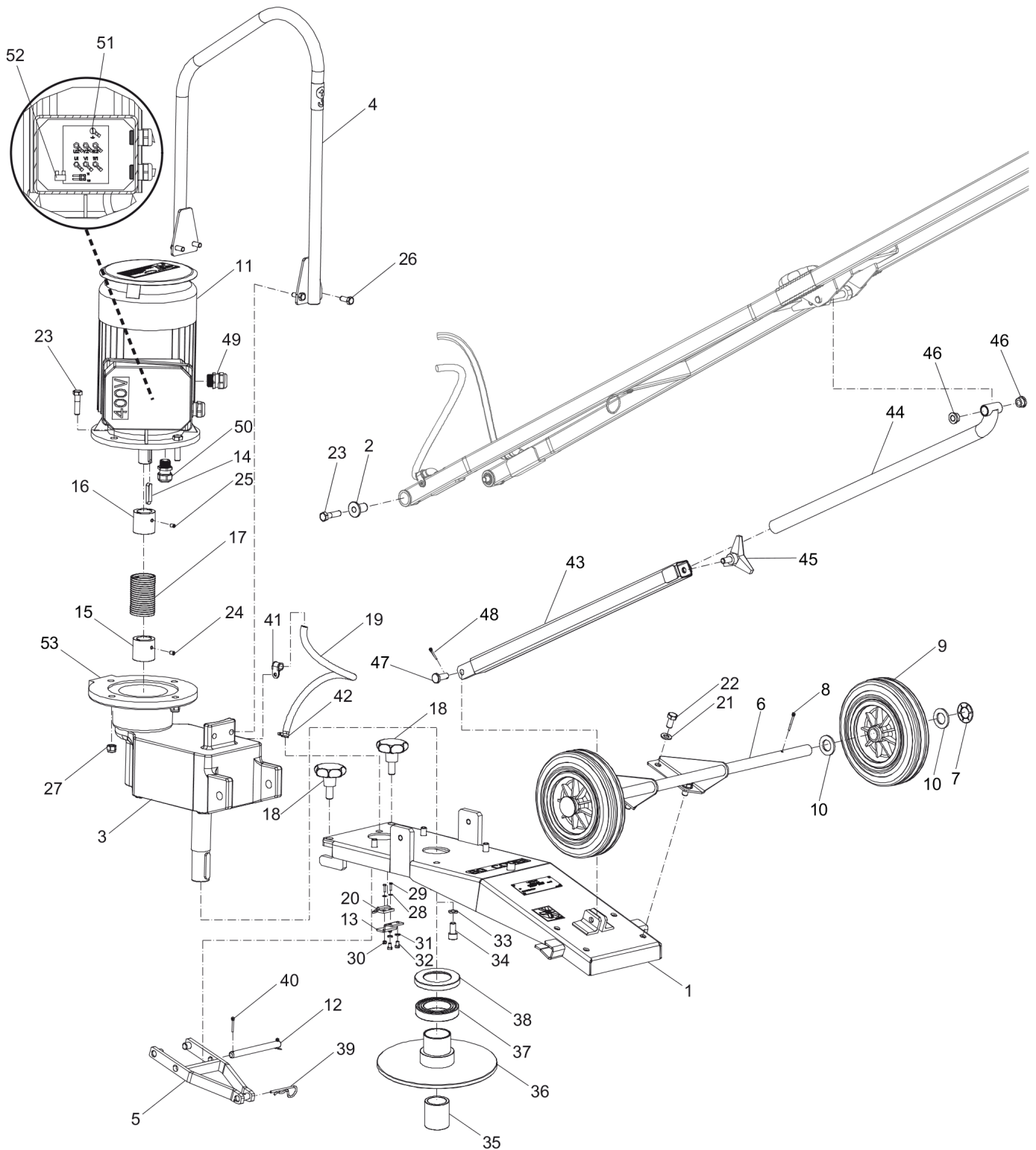
Item	Part No.	Name	Qty	L
1	594173601	Contactactor	1	
2	594174201	Button cap	1	
3	594174101	Push button	1	
4	594174001	Relay clamp	1	
5	594173701	Relay holder	1	
6	594173901	Junction box	1	A
7	594173801	Relay	1	
8	594173501	Multi speed switch	1	
9	596865992	Cable	2	
10	594150001	Magnetic sensor	1	

Comments for Page: Electric equipment

(L)OCAL REMARKS

A | ct-722

Spare parts list Bridge and motor installation



Refer to Parts Online for the most up to date information. The printed information might be outdated.

Wed Oct 08 03:32:33 MDT 2014

Item	Part No.	Name	Qty	L
1	596865970	Bridge, complete	1	
2	596865976	Bushing	2	
3	594148701	Gearbox	1	
4	596865971	Lifting eye	1	
5	596865972	Fork	1	
6	594148501	Wheel stand	1	
7	-	Locking washer with cap, Ø20 mm, Ø0.79 in.	2	
8	594117201	Cotter pin	2	
9	594149901	Wheel	2	
10	-	Washer, Ø20 x 3 mm, Ø0.79 x 0.12 in.	4	
11	594961001	Electric motor	1	
12	596865977	Axle	1	
13	596865978	Guard	1	
14	594149201	Parallel key	1	
15	594149301	Coupling half	1	A
16	594149001	Coupling half	1	B
17	594149101	Drive spring	1	
18	596865791	Knob	2	
19	596865991	Hose, Ø8/Ø12 x 440 mm, Ø0.31/Ø0.47 x 17.32 in.	1	
20	594150001	Magnetic sensor	1	
21	-	Plane washer, Ø10 x 2 mm, 0.39 x 0.08 in.	4	
22	-	Screw, Hexagon M10 x 20 mm	4	
23	-	Screw, Hexagon M10 x 40 mm	6	
24	-	Set screw, M6 x 8 mm	1	
25	-	Set screw, M8 x 8 mm	1	
26	-	Screw, Hexagon M8 x 20 mm 8.8	4	
27	-	Lock nut, M10	4	
28	-	Washer, Ø3 x 0.5 mm, Ø0.12 x 0.02 in.	2	
29	-	Slotted screw, M3 x 12 mm	2	
30	-	Lock nut, M3	2	
31	596865947	Spring washer, Ø5.1 x 1.6 mm, Ø0.20 x 0.06 in.	2	
32	-	Slotted screw, M5 x 8 mm	2	
33	594124401	Spring washer, Ø10.2 x 2.5 mm, Ø0.40 x 0.10 in.	4	
34	-	Screw, Hexagon M10 x 20 mm 8.8	4	
35	596865975	Plain bearing	1	
36	596865974	Pressure plate	1	
37	595038101	Ball bearing	1	

Refer to Parts Online for the most up to date information. The printed information might be outdated.

Wed Oct 08 03:32:33 MDT 2014

Item	Part No.	Name	Qty	L
38	594148901	Support washer	1	
39	594117501	Hair pin	1	
40	594117301	Split pin, 3.2 x 28 mm, 0.13 x 1.10 in.	2	
41	594125501	Pipe clamp	1	
42	594126001	Cable tie	1	
43	596865973	Stay	1	C
44	594148601	Stay	1	D
45	594246201	Cross grip	1	
46	594219801	Flange bearing	2	
47	594226301	Clevis pin, 10 x 28 mm, 0.39 x 1.10 in.	1	
48	594117301	Split pin, 3.2 x 28 mm, 0.13 x 1.10 in.	1	
49	595118401	Cable gland	2	
50	596865949	Cable gland	1	
51	596865948	Cable lug	7	
52	596865993	Terminal block, 2.5 mm ²	1	
53	596865997	Flange	1	

Comments for Page: Bridge and motor installation

(L)OCAL REMARKS

A | Lower

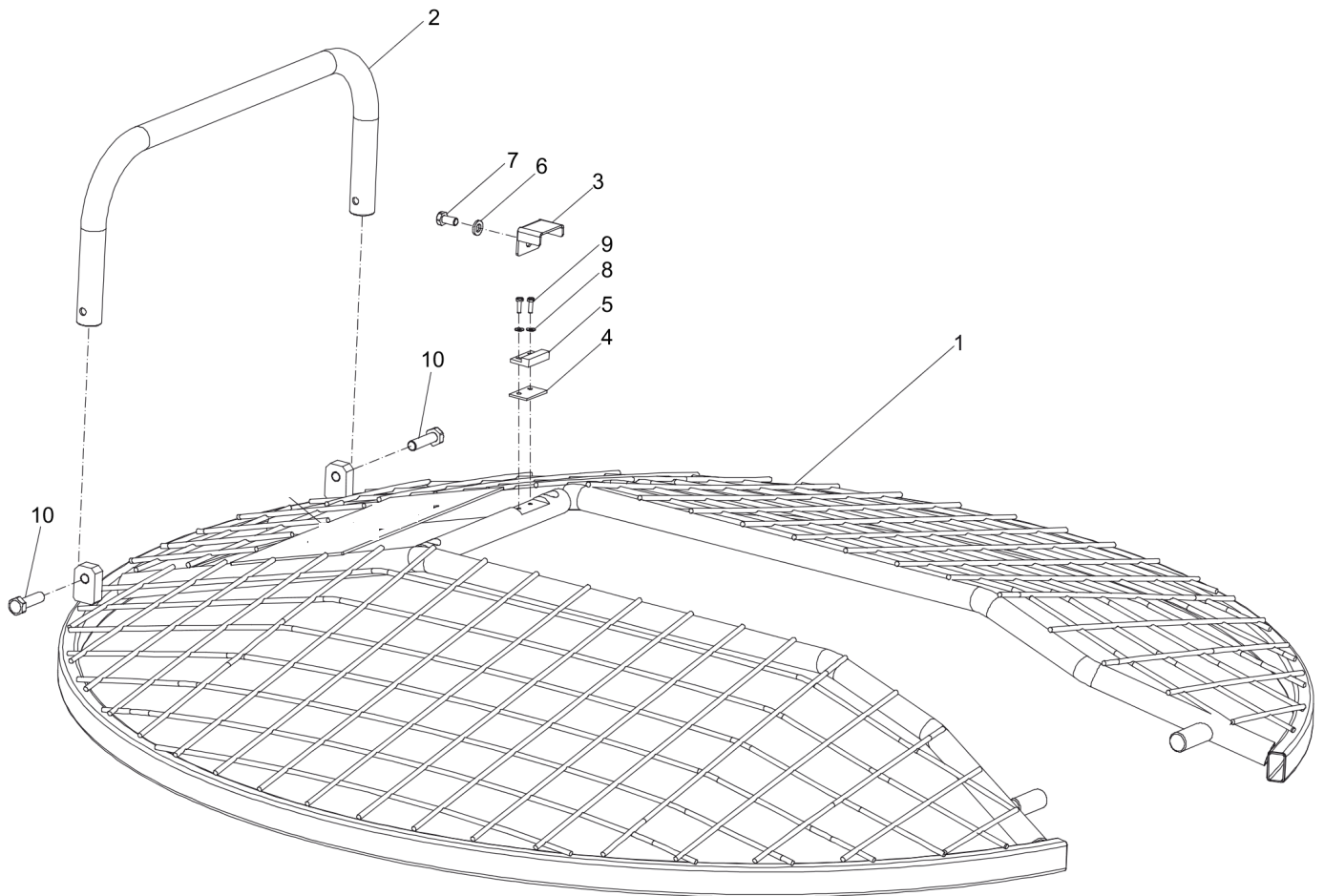
B | Upper

C | Lower

D | Upper

This page intentionally left blank

Spare parts list Protection ring (855 mm)

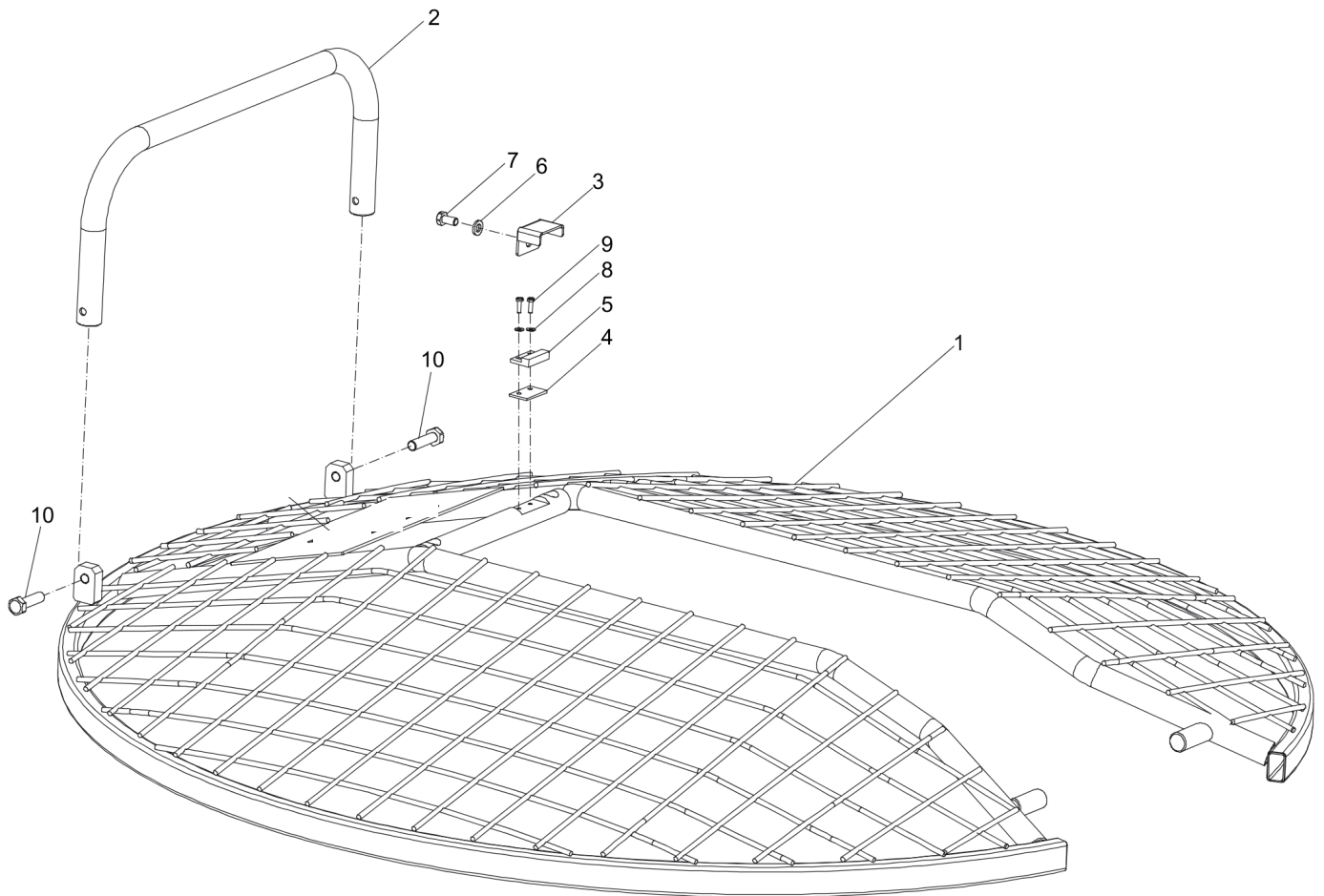


Refer to Parts Online for the most up to date information. The printed information might be outdated.

Wed Oct 08 03:32:33 MDT 2014

Item	Part No.	Name	Qty	L
1	596865967	Protection ring, Ø855 mm, Ø33.66 in.	1	
.2	596865983	Lifting eye	1	
.3	594149601	Cover	1	
.4	594149701	Insulating washer	1	
.5	594150201	Magnet	1	
.6	-	Washer, Ø6 x 1.6 mm, 0.24 x 0.06 in.	1	
.7	-	Screw, Hexagon M6 x 12 mm 8.8	1	
.8	-	Washer, Ø3 x 0.5 mm, Ø0.12 x 0.02 in.	2	
.9	-	Slotted screw, M3 x 10 mm	2	
.10	-	Screw, Hexagon M8 x 30 mm 8.8	2	
	-			

Spare parts list Protection ring (1000 mm)

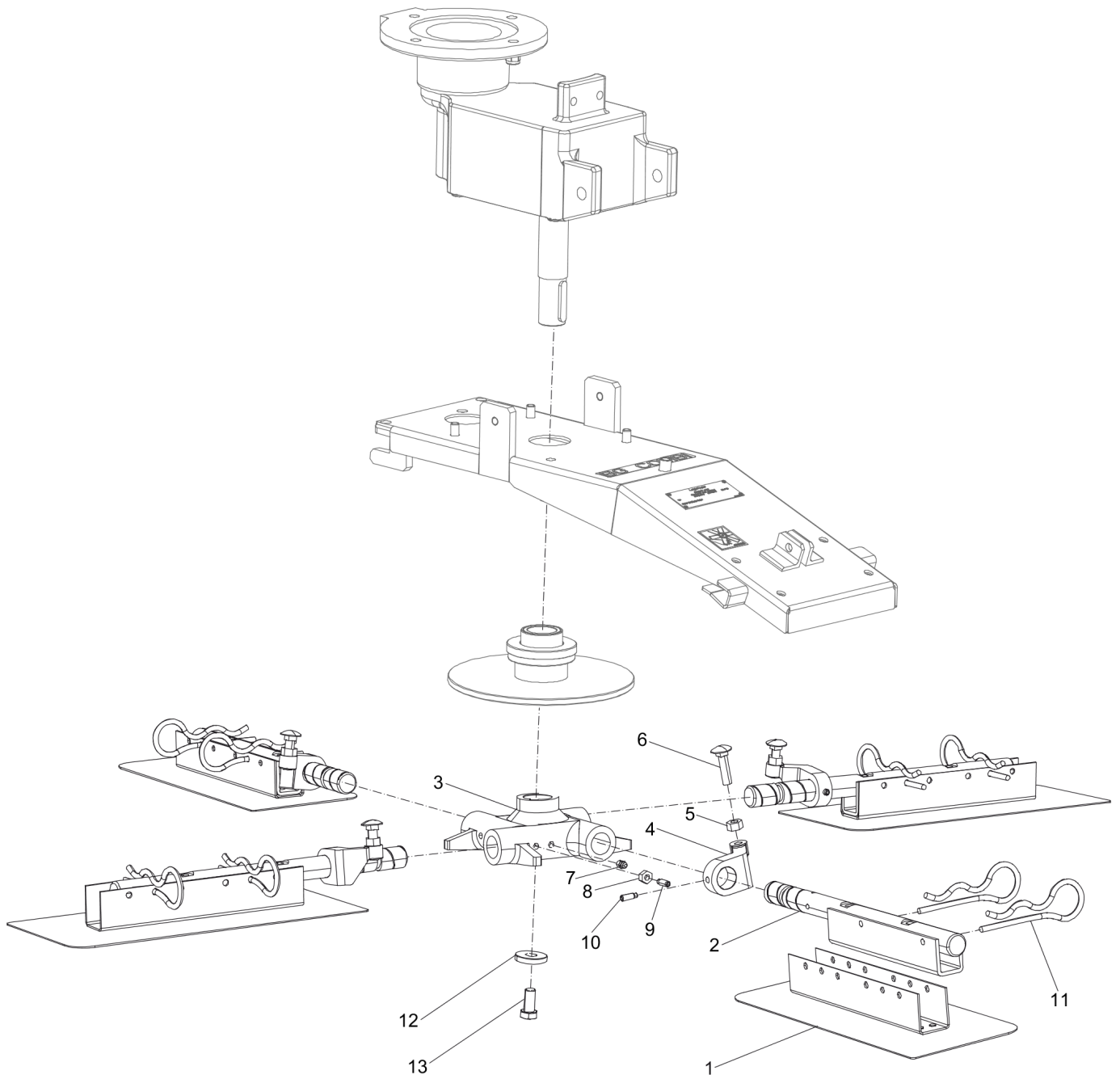


Refer to Parts Online for the most up to date information. The printed information might be outdated.

Wed Oct 08 03:32:34 MDT 2014

Item	Part No.	Name	Qty	L
1	594148401	Protection ring, Ø1000 mm, Ø39.37 in.	1	
.2	596865983	Lifting eye	1	
.3	594149601	Cover	1	
.4	594149701	Insulating washer	1	
.5	594150201	Magnet	1	
.6	-	Washer, Ø6 x 1.6 mm, 0.24 x 0.06 in.	1	
.7	-	Screw, Hexagon M6 x 12 mm 8.8	1	
.8	-	Washer, Ø3 x 0.5 mm, Ø0.12 x 0.02 in.	2	
.9	-	Slotted screw, M3 x 10 mm	2	
.10	-	Screw, Hexagon M8 x 30 mm 8.8	2	
	-			

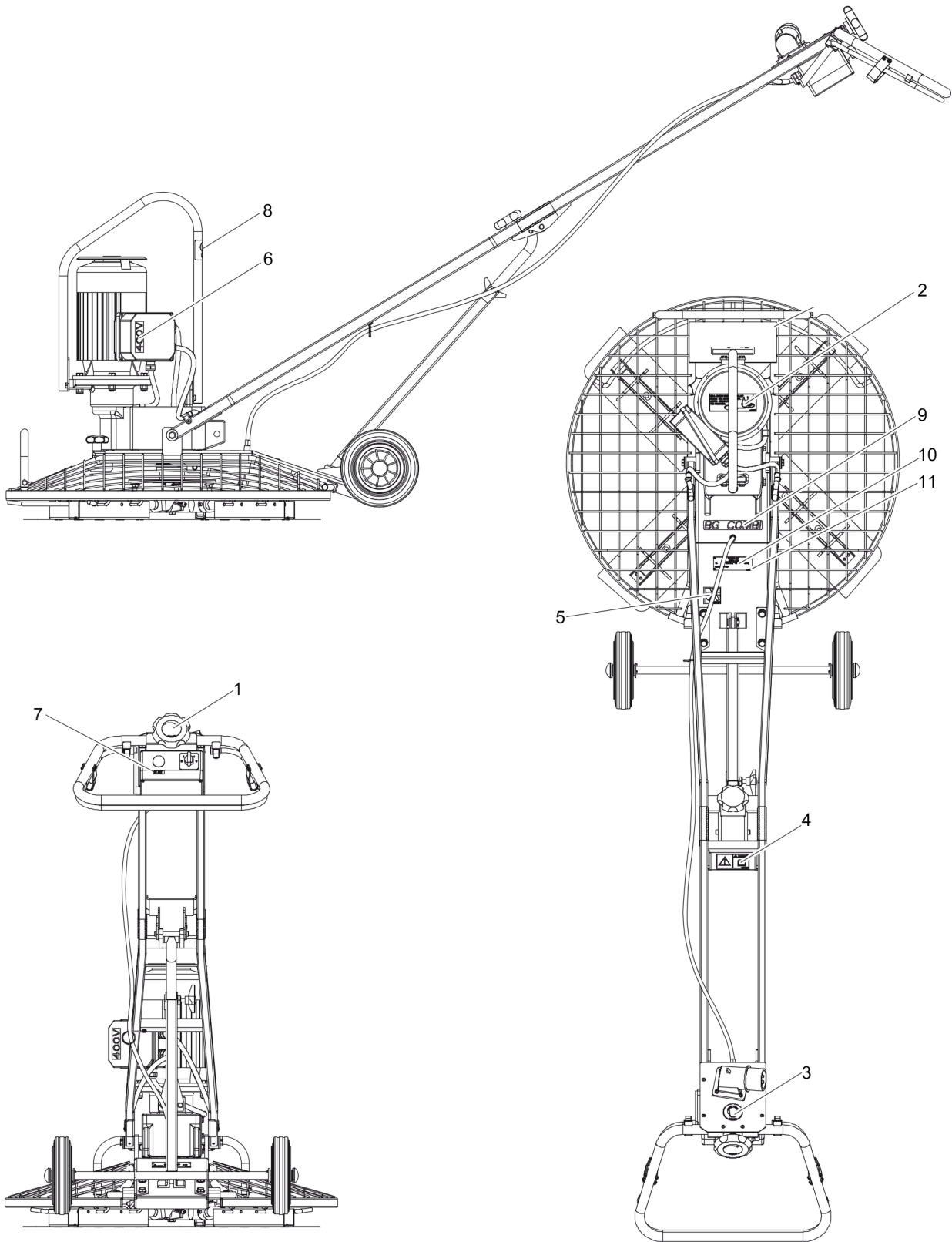
Spare parts list Blade assembly



Refer to Parts Online for the most up to date information. The printed information might be outdated.
Wed Oct 08 03:32:35 MDT 2014

Item	Part No.	Name	Qty	L
1	-	Towelling blade	4	
2	594237501	Blade arm	4	
3	594240301	Hub	1	
4	594246001	Arm	4	
5	-	Nut, M10 A3K	4	
6	594122501	Carriage bolt	4	
7	594126801	Grease nipple	4	
8	-	Nut, M8 A2K	4	
9	-	Stop screw, M8 x 20 mm	4	
10	-	Stop screw, M8 x 16 mm	4	
11	594117601	Locking clip	8	
12	-	Washer, 11 x 36 x 6 mm, 0.43 x 1.42 x 0.24 in.	1	
13	-	Screw, Hexagon M10 x 25 mm	1	

Spare parts list Labels



Refer to Parts Online for the most up to date information. The printed information might be outdated.

Wed Oct 08 03:32:35 MDT 2014

Item	Part No.	Name	Qty	L
1	594245801	Label, blade angle	1	A
2	594245901	Label, remove disc	1	B
3	594162801	Label, ear protection	1	C
4	594162701	Safety label	1	
5	594163001	Label, cutting hazards	1	D
6	595138501	Label	1	E
7	596866005	Label	1	F
8	594162901	Label, lift point	1	G
9	596866106	Product label	1	H
10	-	Data plate	1	
11	-	Drive screw	4	

Comments for Page: Labels

(L)OCAL REMARKS

A | Increase - Decrease

B | Remove disc

C | Ear protection

D | Cutting hazards

E | Volt

F | Start

G | Lifting point

H | "BG Combi"

**NO DRAWING
AVAILABLE
FOR THIS BOM**

Item	Part No.	Name	Qty	L
-	594241001	Floating disc, Ø865 mm (34.06 in.)	1	
-	594240201	Floating disc, 2.5 mm (0.10 in.), thick	1	
-	594243601	Floating disc, 3 mm (0.12 in.), thick	1	
-	594241201	Floating disc, Ø1015 mm (39.96 in.)	1	
-	594227601	Trowel blade	1	A

Comments for Page: Consumables

(L)OCAL REMARKS

A | Quick release, 4 blades included

Kits Bolt on blade kit

**NO DRAWING
AVAILABLE
FOR THIS BOM**

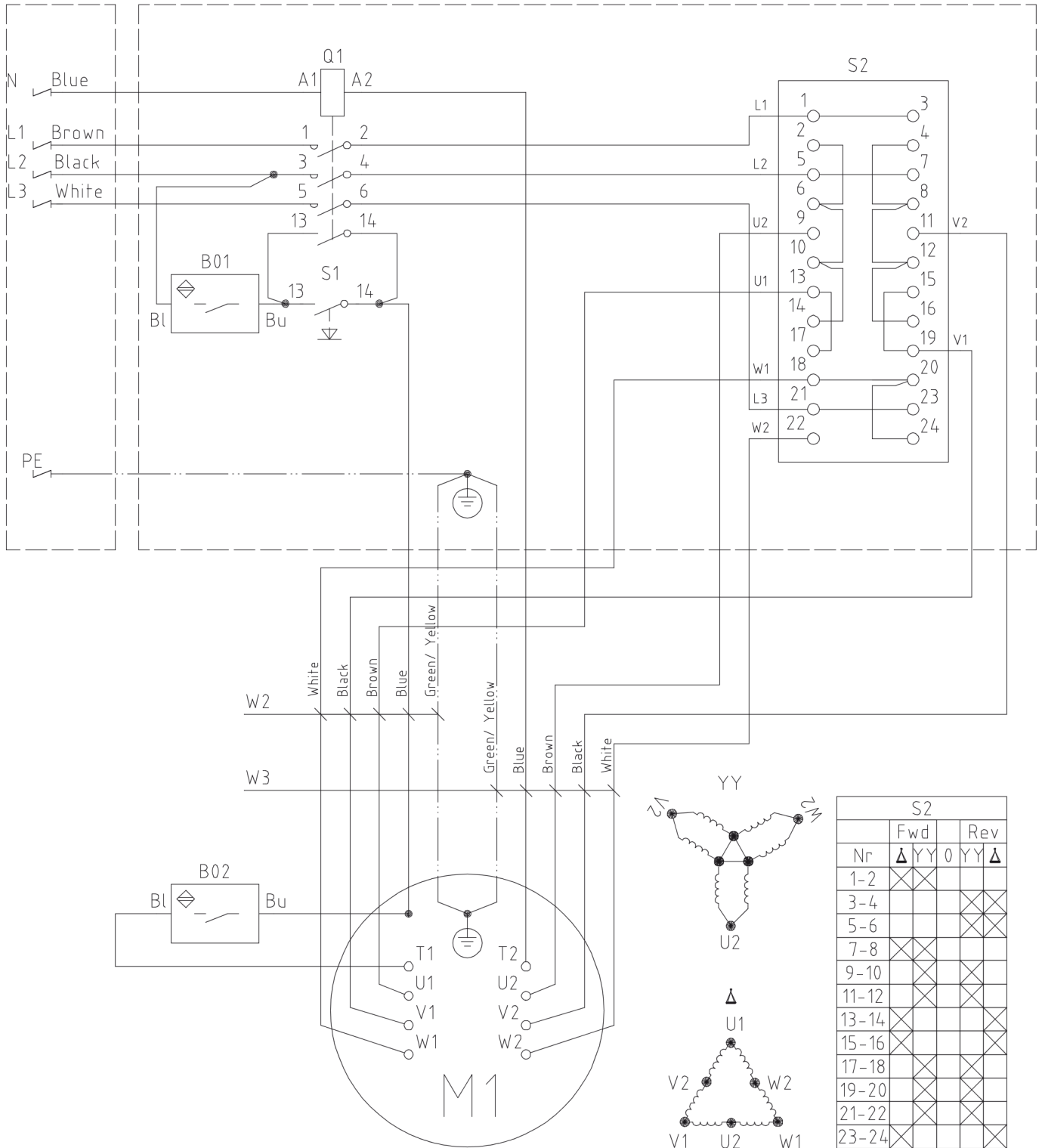
Item	Part No.	Name	Qty	L
1	594198201	Bolt on blade kit	1	
.Not Shown	-	Trowel blade	4	
.Not Shown	-	Bolt, UNC 5/16 x 21/4 in.	8	

Kits Maintenance kit

**NO DRAWING
AVAILABLE
FOR THIS BOM**

Item	Part No.	Name	Qty	L
1	596865995	Maintenance kit	1	
2	594241101	Blade adjusting wire	1	
3	594232201	Magnet sensor	2	
4	594232301	Magnet	2	

Wiring diagram Wiring diagram



Refer to Parts Online for the most up to date information. The printed information might be outdated.

Wed Oct 08 03:32:37 MDT 2014

Any unauthorized use or copying of the contents or any part thereof is prohibited.
This applies in particular to trademarks, model denominations, part numbers, and drawings.