

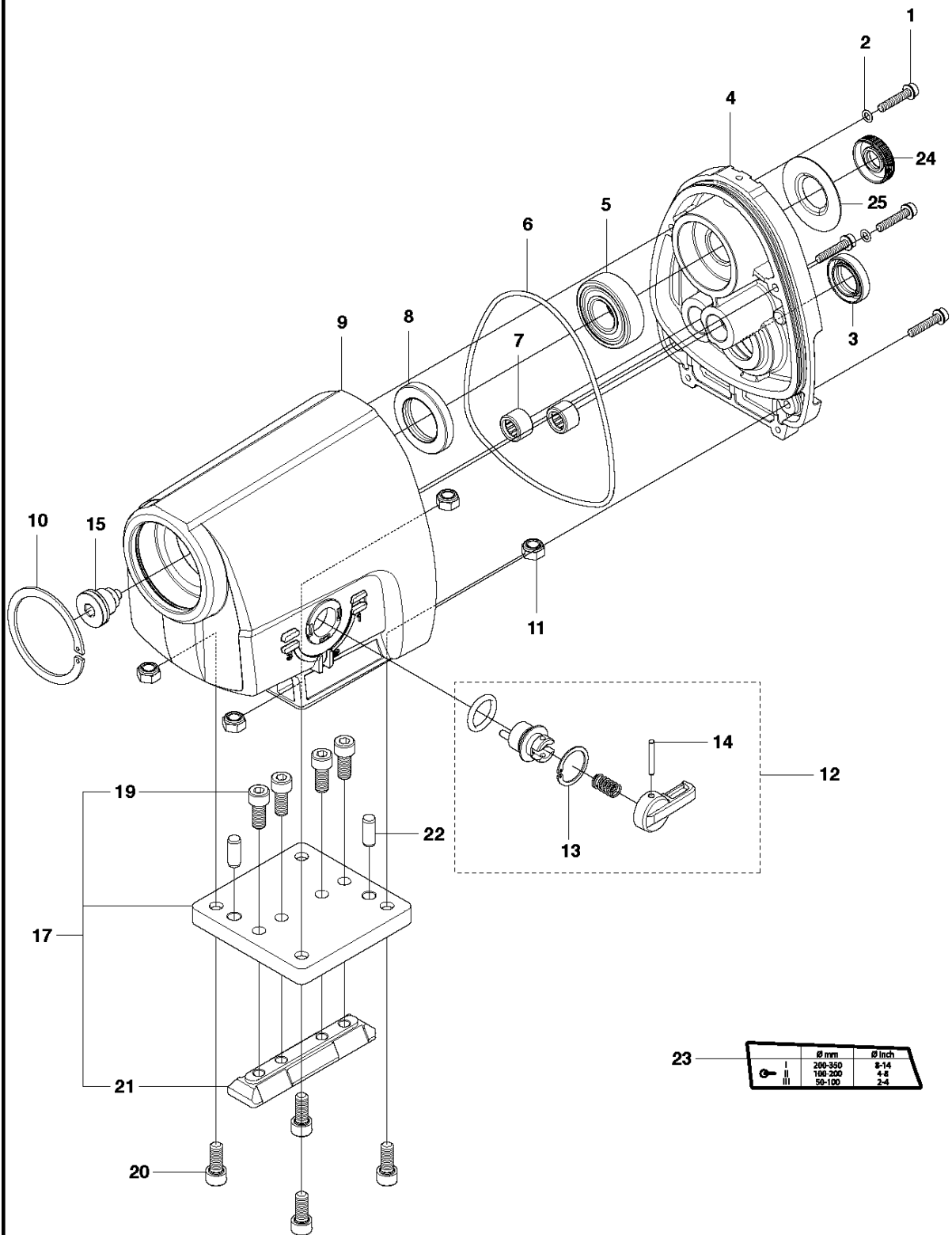


SPARE PARTS LIST

DRILLING EQUIPMENT

DM280, 2012-01

A1 DM280
GEAR BOX



23

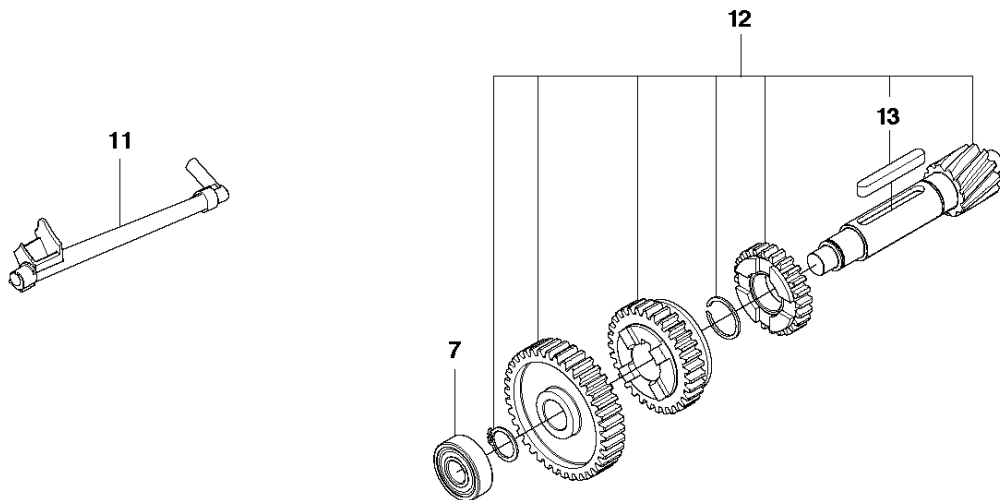
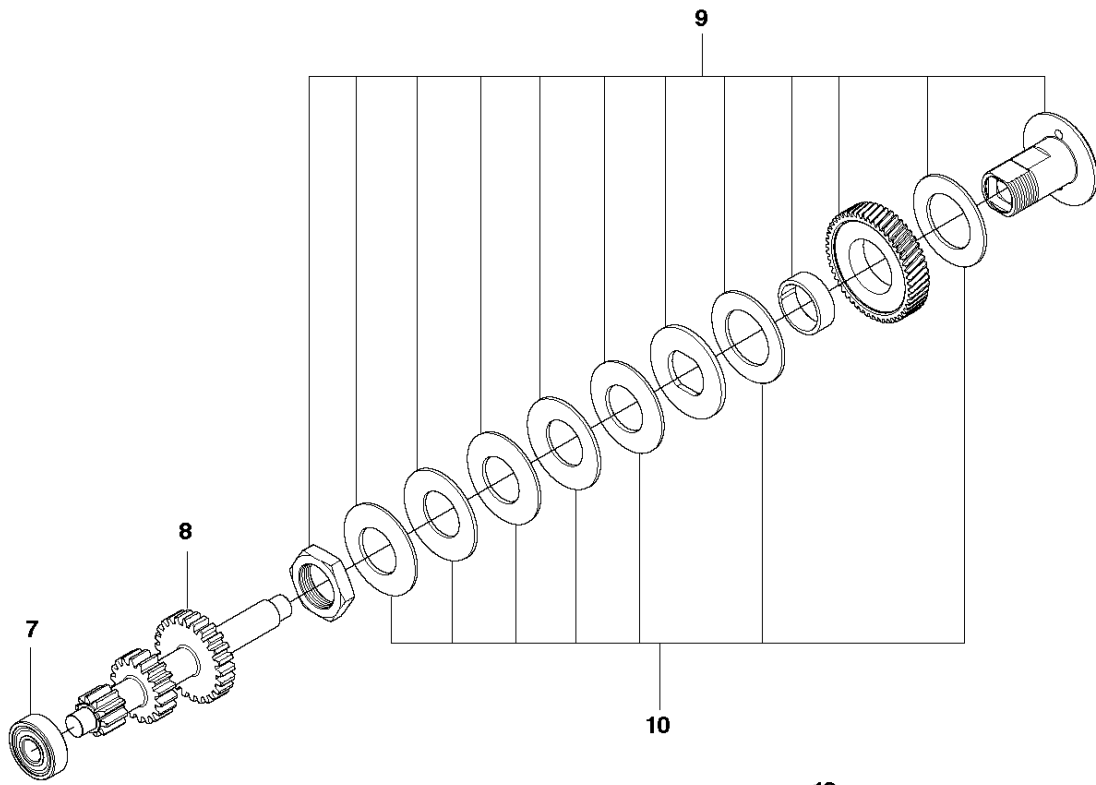
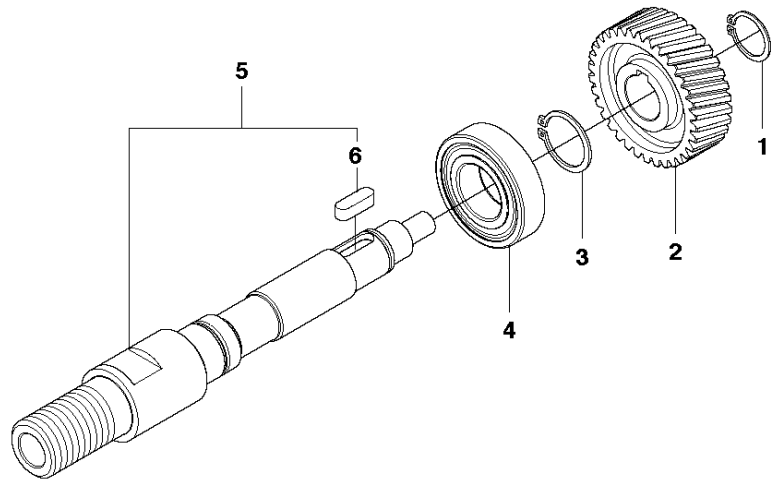
	Ø mm	Ø Inch
I	200-250	8-14
II	150-200	4-8
III	50-100	2-4

GEAR BOX

DM280, 2012-01

Ref	Part No	Description	Remark	QTY	KIT
1	503 20 03-25	SCREW IHSCFM		4	
2	740 42 03-00	O-RING		2	
3	502 49 63-01	SEALING RING		1	
4	581 56 58-01	COVER		1	
5	738 22 04-19	BALL BEARING		1	
6	502 49 65-03	O-RING		1	
7	503 25 53-01	NEEDLE BEARING		2	
8	582 31 62-01	RADIAL SEAL		1	
9	581 56 56-01	GEAR HOUSING		1	
10	502 49 70-01	CIRCLIP		1	
11	732 25 18-01	HEXAGON LOCKING NUT		4	
12	588 56 90-01	GEARSHIFT LEVER		1	
13	735 31 22-41	RETAINER RING		1	12
14	720 12 76-06	PARALLEL PIN		1	12
15	525 48 10-01	OIL PLUG		1	
17	575 80 82-01	BRACKET		1	
19	725 54 51-01	SCREW IHSCM		4	17
20	725 54 51-01	SCREW IHSCM		4	
21	575 80 81-01	WEDGE		1	17
22	720 14 01-06	PARALLEL PIN		2	
23	505 42 98-01	LABEL	Low speed version	1	
23	505 40 60-01	LABEL	High speed version	1	
24	582 59 05-01	RADIAL SEAL		1	
25	584 39 02-01	GUIDE WASHER		1	

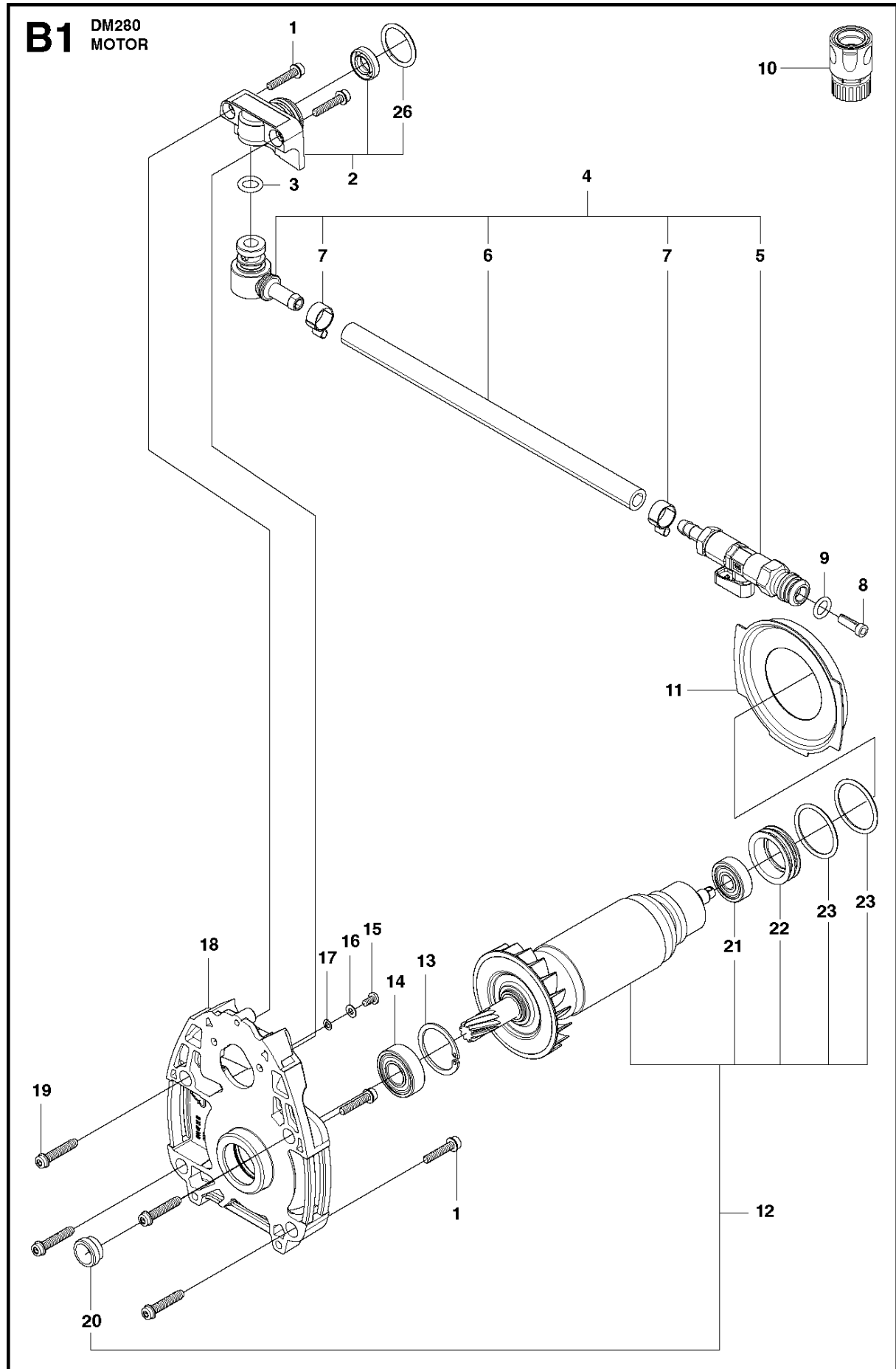
A2 DM280
GEAR BOX



GEAR BOX

DM280, 2012-01

Ref	Part No	Description	Remark	QTY KIT
1	735 31 25-00	CIRCLIP		1
2	544 39 92-01	GEAR WHEEL	Low speed version	1
2	544 39 93-01	GEAR WHEEL	High speed version	1
3	735 31 30-00	CIRCLIP		1
4	738 22 06-29	BALL BEARING		1
5	525 82 62-01	SPINDLE SHAFT		1
6	502 44 66-04	PARALLEL KEY		1
7	738 22 01-19	BALL BEARING		2
8	544 39 77-01	GEAR WHEEL SHAFT		1
9	588 09 44-01	CLUTCH ASSY		1
10	588 42 79-01	KIT		1
11	525 82 60-01	OIL PIPE		1
12	588 56 89-01	GEAR WHEEL	Low speed version	1
12	588 56 89-02	GEAR WHEEL	High speed version	1
13	502 44 66-03	PARALLEL KEY		1

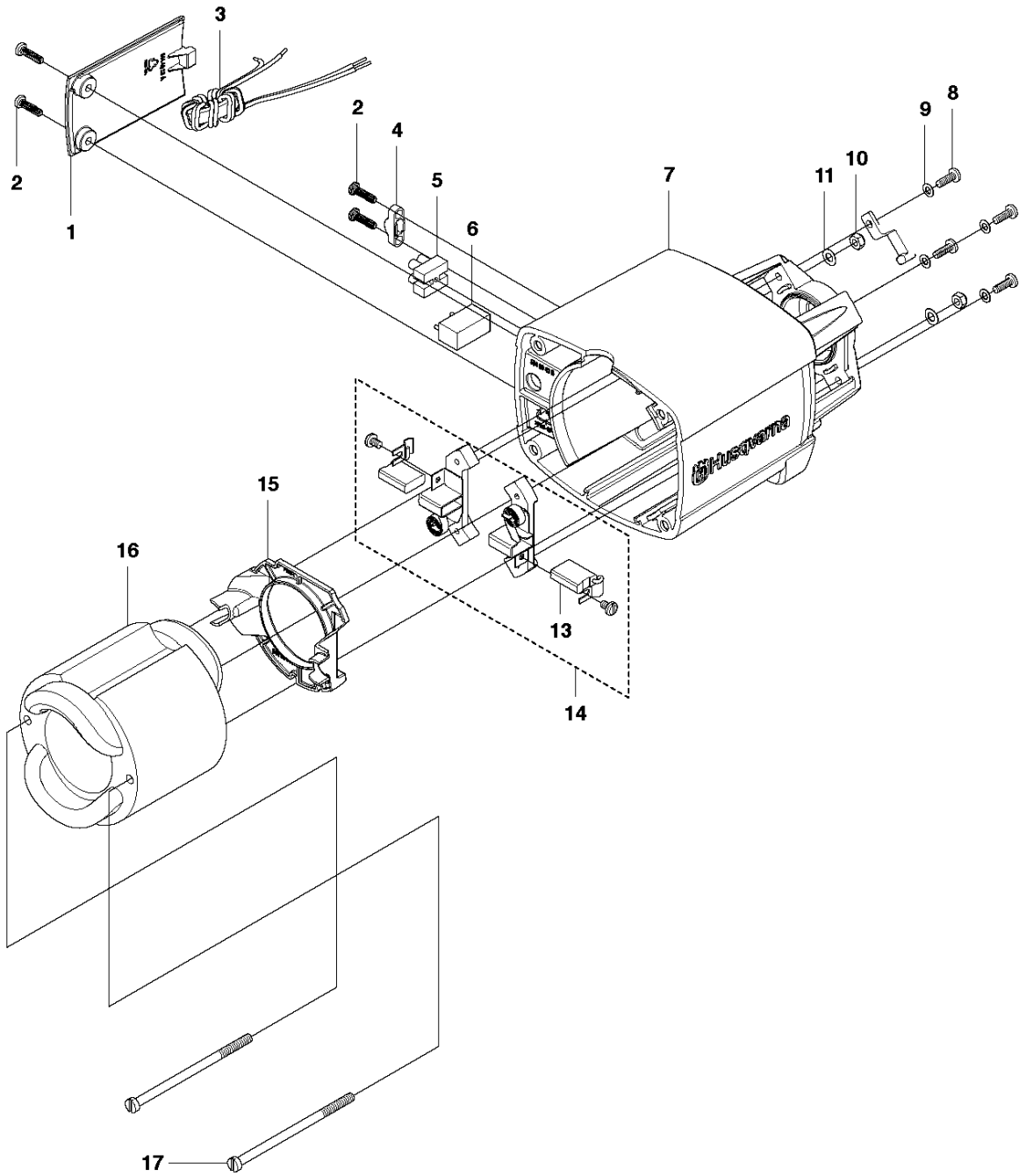


MOTOR

DM280, 2012-01

Ref	Part No	Description	Remark	QTY	KIT
1	503 20 07-78	SCREW IHSCFM		4	
2	598 80 16-01	BRACKET		1	
3	502 49 65-01	O-RING		1	
4	501 07 22-02	HOSE ASSY		1	
5	587 43 78-02	VALVE ASSY		1	4
6	581 89 36-07	HOSE		1	4
7	576 12 97-01	HOSE CLAMP		2	4
8	506 29 88-01	FILTER		1	
9	505 10 35-01	O-RING		1	
10	503 26 60-03	COUPLER	US, CANADA	1	
10	503 26 60-04	COUPLER		1	
11	544 80 60-01	AIR CONDUCTOR		1	
12	505 15 50-03	ROTOR	120V, From S/N 20181200131	1	
12	505 15 51-01	ROTOR	230V	1	
13	735 31 33-10	CIRCLIP		1	
14	531 07 39-44	BALL BEARING		1	
15	724 12 87-01	SCREW CRPANM		1	
16	734 11 36-01	WASHER		1	
17	735 21 36-01	LOCKWASHER		1	
18	544 40 25-01	COVER		1	
19	503 21 88-55	SCREW IHST		4	
20	544 39 76-01	SLEEVE		1	12
21	503 25 09-01	BEARING		1	
22	588 60 85-01	BEARING SLEEVE		1	
23	740 44 10-00	O-RING		2	
26	502 49 65-04	O-RING		1	2

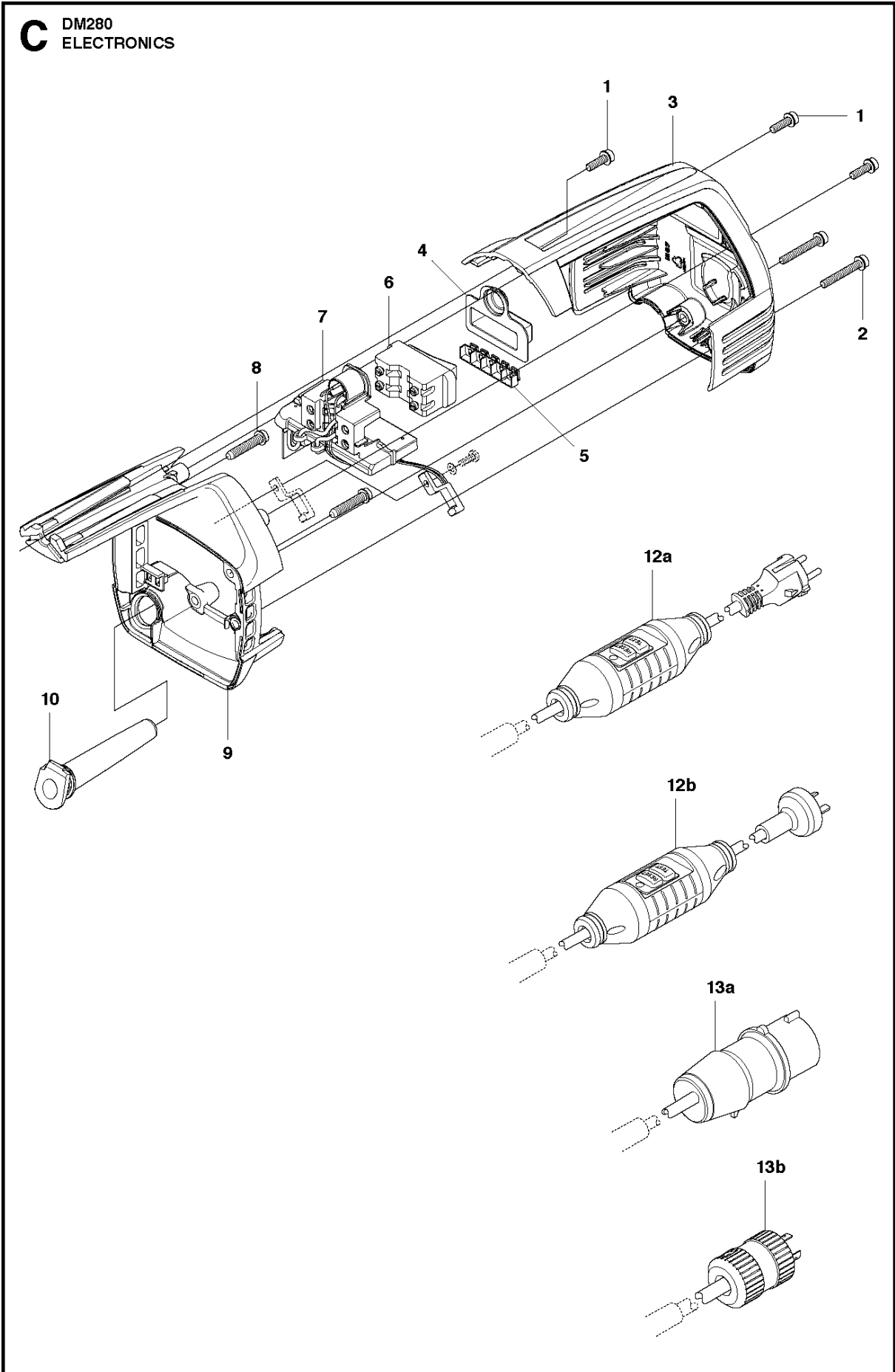
B2 DM280
MOTOR



MOTOR

DM280, 2012-01

Ref	Part No	Description	Remark	QTY KIT	
1	544 40 28-02	COVER		1	
2	729 57 78-01	SCREW CCRPANT	120V US	4	
2	525 47 63-01	SCREW ITXPANT		4	
3	504 54 50-01	FILTER	230V Only	1	
4	544 12 32-01	CABLE CLAMP		1	
4	531 03 18-87	CLIP	120V US	1	
5	504 54 62-01	TERMINAL BLOCK	120V	1	
5	504 54 62-02	TERMINAL BLOCK	230V	1	
6	504 54 63-01	CAPACITOR		1	
7	544 44 49-02	MOTOR HOUSING		1	
8	724 12 91-01	SCREW CRPANM		4	
9	735 11 36-50	SPRING WASHER		4	
10	732 21 14-01	LOCK NUT		2	
11	735 11 46-50	SPRING WASHER		2	
13	589 91 12-01	CARBON BRUSH	230V	1	14
13	589 91 12-02	CARBON BRUSH	120V	1	14
14	581 05 85-05	BRUSH HOLDER	230V	2	
14	581 05 85-06	BRUSH HOLDER	120V	1	
15	544 80 61-01	AIR CONDUCTOR		1	
16	589 32 48-03	STATOR ASSY	120V, From S/N 20181200131	1	
16	506 22 51-20	STATOR ASSY	230V	1	
17	506 22 53-01	SCREW		2	

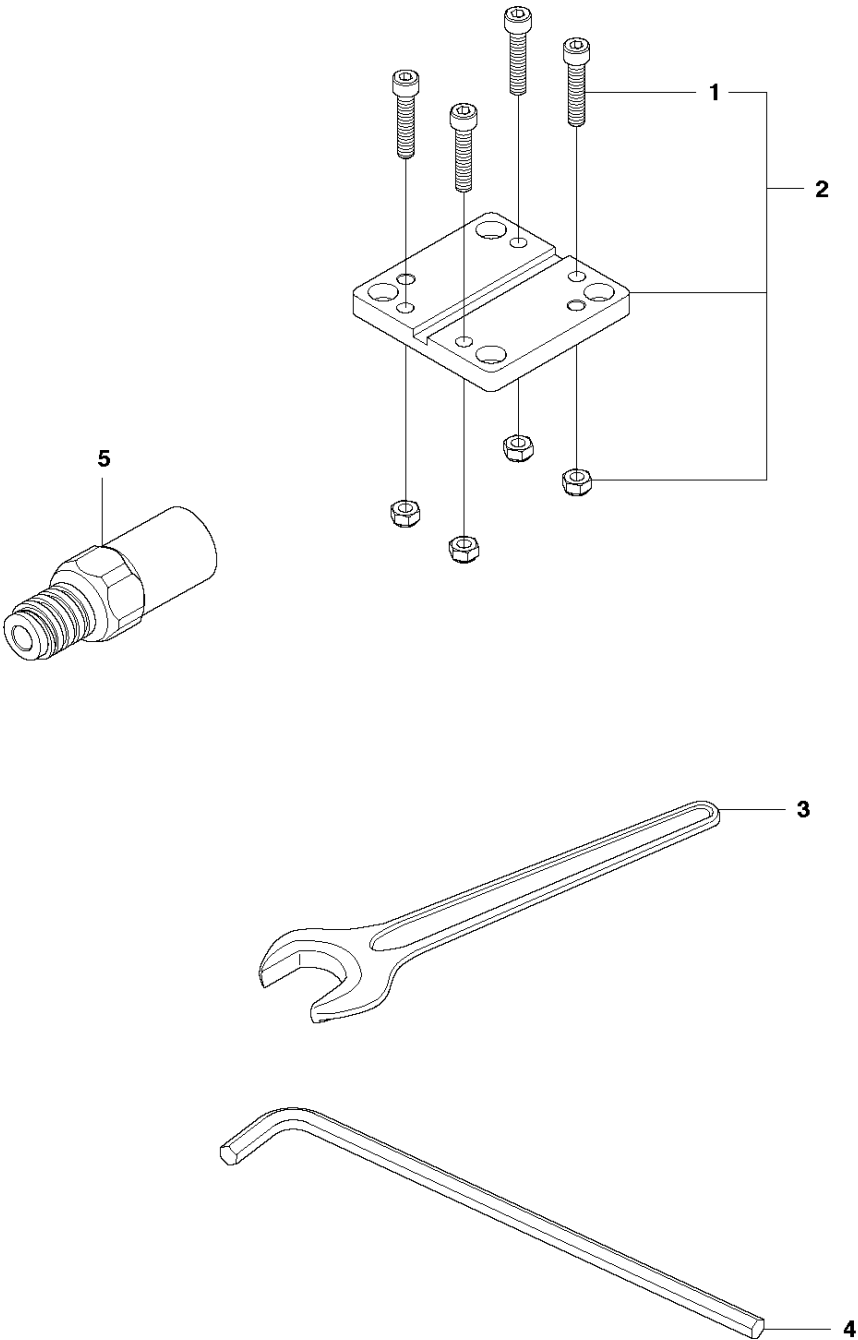


ELECTRICAL

DM280, 2012-01

Ref	Part No	Description	Remark	QTY KIT
1	503 20 07-74	SCREW IHSCFM		3
2	503 20 07-82	SCREW IHSCFM		2
3	544 84 80-01	COVER		1
4	544 80 62-01	PROTECTIVE CAP		1
5	544 80 63-01	PROTECTIVE CAP		1
6	531 07 38-91	SWITCH		1
7	576 31 30-01	ELECTRONIC BOX	120V	1
7	576 31 30-02	ELECTRONIC BOX	230V	1
8	503 21 88-30	SCREW IHST		2
9	544 84 79-02	FRAME		1
10	577 41 18-01	CABLE SLEEVE		1
12a	505 44 33-02	CABLE	230V, EU	1
12b	521 90 72-02	CABLE	230V, AUS	1
13a	521 91 90-02	CABLE	120V, UK	1
13b	582 38 21-01	CABLE ASSY	120V, US	1

D DM280
ACCESSORIES



ACCESSORIES

DM280, 2012-01

Ref	Part No	Description	Remark	QTY	KIT
1	725 54 59-01	SCREW IHSCM		4	2
2	522 93 68-01	KIT		1	
3	531 14 09-52	KEY	32 mm	1	
4	525 43 76-01	HEX KEY		1	
5	531 14 09-58	ADAPTER	SE, FI, NO, DK	1	