

FS9900D T3A

Reservdelar

Spare parts

Ersatzteile

Pieces de rechange

Piezas de repuesto

Ricambi

Peças sobresselente

No.	Pos.	Description	No.	Pos.	Description
501 04 68-02	X1	TUBE	505 12 99-01	L1	COWL
501 04 70-02	X1	TUBE	505 12 99-08	E2	FILTER
501 04 71-02	X1	TUBE	505 12 99-09	E2	FILTER
501 04 73-01	X1	MANIFOLD	505 12 99-10	E2	BRACKET
501 97 10-02	B	BELT GUARD	505 12 99-12	L1	COWL
501 97 11-02	B	BELT GUARD	505 13 45-01	P1	FAN
502 28 75-01	M	BRACKET	505 18 91-01	M	BRACKET
502 28 76-02	AC	CYLINDER	505 28 95-04	U1	PUMP
502 29 04-01	Q1	SUPPORT	505 28 95-10	U1	PUMP
502 29 81-01	P3	ARM	505 41 17-01	R2	KIT
502 53 13-01	AA	FLANGE	505 41 69-01	S	BALL BEARING
502 86 00-01	AA	BELT GUARD	505 41 70-01	R1S	BLADE SHAFT
502 86 01-01	AA	BELT GUARD	505 41 70-05	R2	BLADE SHAFT
502 86 02-01	X7AA	BRACKET	505 41 71-01	S	BLADE SHAFT
504 00 21-01	X2	MANIFOLD	505 41 72-01	S	HOUSING BLADESHAFT
504 01 82-02	X2	BLADE GUARD	505 41 73-01	S	FLANGE
504 01 90-02	X2	TUBE	505 41 74-07	R2	PULLEY
504 01 91-02	X2	BLADE GUARD	505 41 74-10	R1R2	PULLEY
504 01 94-01	X2X3	BLADE GUARD	505 41 74-11	R1R2	PULLEY
504 06 12-01	C	POINTER	505 41 74-13	R1R2	PULLEY
504 11 97-03	R2	V-BELT	505 41 74-14	R1R2	PULLEY
504 11 97-09	R1	V-BELT	505 41 74-15	R1R2	PULLEY
504 11 97-10	R2	V-BELT	505 43 92-01	N1	REAR AXLE
504 53 75-01	P3	FITTING	505 44 51-01	O2	BLOCK
504 53 96-01	P3	FITTING	505 45 58-01	Q1	RELAY
504 54 29-01	X3	BLADE GUARD BRACKET	505 45 59-01	Q1	BRACKET
504 54 39-01	X3	BRACKET	505 45 59-03	Q1	BRACKET
504 54 43-01	X3	ROD	505 48 20-01	N1	BLOCK
504 54 55-01	P3	HANDLE	505 55 12-01	B	BOLT
504 54 85-01	P3	FITTING	505 56 66-02	G	SIDE PANEL
504 54 86-01	P3	FITTING	505 56 66-06	H	SIDE PANEL
504 54 87-01	P3	FITTING	506 00 27-01	N2	ACTUATOR
504 54 88-01	P3	VALVE	506 12 62-02	F1F2	CONTROL
504 55 83-01	X3	BLADE GUARD KIT	506 12 62-04	F1F2	CONTROL
504 55 84-01	X3	BLADE GUARD	506 49 29-01	O1	BEARING
504 55 97-01	F2P3	DECAL	506 49 76-01	B	BATTERY BOX
504 57 16-01	I	POINTER	506 49 79-01	A	FRAME
504 58 03-02	BAA	SHIELD	506 74 80-01	L1	COVER
504 58 79-01	P3	ROD	506 74 80-03	L1	COVER
504 59 22-06	P3	ARM	506 89 99-03	Q1Q2V	BRACKET
504 59 22-07	P3	ARM	506 90 00-04	Q1	ENGINE MOUNTING
504 59 92-01	P3	LOCK	506 90 00-07	Q1	MOUNT
504 61 01-02	P3	KIT	510 01 14-01	F2	CRANKCASE
504 62 64-03	R2	WRENCH	510 01 35-01	N1	HUB
504 62 64-03	G	WRENCH	510 01 41-01	F1	BRACKET
504 62 84-01	A	DECAL	510 01 44-01	N1	SEAL
504 63 01-01	A	DECAL	510 01 66-02	F1	DISPLAY
504 79 31-02	P1	ENGINE	510 01 66-02	F2	DISPLAY
504 83 68-01	R1R2	SEAL	510 01 67-01	F1F2	KEY SWITCH
504 83 68-02	R1R2	SEAL	510 01 67-05	F1F2	KEY SWITCH
504 83 71-03	D	AIR CLEANER	510 12 66-01	V	MOUNT
504 83 71-04	T2	AIR CLEANER	510 26 26-01	W	HOSE
504 83 74-01	D	RADIATOR	510 27 11-01	T1	TUBE
504 83 94-01	BX3	SPADE	510 28 36-01	Q1	GUARD
504 84 33-02	E2	RADIATOR	510 36 27-01	A	GUARD
504 85 56-01	Z	LAMP	510 40 62-01	D	COVER
504 85 77-01	X1	BLADE GUARD	510 41 46-01	Q1	COVER
504 85 81-01	X1	TUBE	510 42 30-01	O2	CYLINDER
504 85 89-01	T1	HOSE	516 02 95-01	AA	FRAME
504 85 89-03	T1	HOSE	516 02 99-01	AA	FRAME
504 85 92-03	T1	HOSE	516 03 06-01	AA	COVER
504 86 17-01	GH	LEVER	516 03 76-01	K	SENSOR
504 87 16-01	X1	BLADE GUARD	516 05 55-01	K	FUEL TANK
504 87 17-01	X1	BLADE GUARD	520 28 17-01	N1	SHAFT
505 06 38-01	A	FRAME	520 28 18-01	N1	BEARING
505 06 38-05	A	FRAME	521 88 53-01	Q2	DECAL
505 06 38-07	A	FRAME	521 88 53-02	A	DECAL
505 06 78-07	A	GUARD	521 92 15-01	F1F2	DECAL
505 06 78-09	Q1	GUARD	521 93 35-01	T1	CLAMP
505 10 37-01	P3	BRACKET	521 93 78-01	G	CAP

No.	Pos.	Description	No.	Pos.	Description
521 93 82-04	L1	ELECTRONIC CONTROL	539 97 69-78	B	NUT
521 94 44-01	L1	BOLT	539 97 69-79	IJ	NUT
521 97 03-01	D	DECAL	539 97 69-82	CQ1X	
521 97 03-02	D	DECAL		3X4AA	WASHER
522 59 11-01	E1	HANDLE ASSY	539 99 00-52	Q2V	WASHER
522 60 45-01	E1	CLIP	539 99 00-55	BQ1	WASHER
522 60 79-02	E1	FILTER	539 99 00-71	Q2V	SCREW
522 60 80-01	E1	MOUNT	539 99 01-18	P1V	WASHER
522 61 29-03	U1	ARM	539 99 01-22	IV	WASHER
522 62 77-04	F2	DECAL	539 99 01-30	M	NUT
522 62 77-05	F2	DECAL	539 99 01-34	P1	BOLT
522 62 77-06	F2	DECAL	539 99 01-87	P2P3	WASHER
522 62 77-07	F2	DECAL	539 99 01-88	AP2	WASHER
522 63 65-01	T1	BRACKET	539 99 02-09	P3	SCREW
522 67 65-01	Q1	SPACER	539 99 02-50	MAC	WASHER
522 74 39-01	AA	GUARD	539 99 02-54	CQ2AA	WASHER
522 74 40-01	AA	GUARD	539 99 02-58	P3	NUT
522 74 60-01	V	PUMP	539 99 03-33	AQ1	WASHER
522 81 23-01	C	BRACKET	539 99 06-37	I	SCREW
522 84 24-01	V	CABLE	539 99 07-17	Z	NUT
522 96 59-17	R1R2	FLANGE	541 20 04-67	M	CLAMP POINTER ROPE
522 96 59-19	R1R2	FLANGE	541 20 05-23	Z	GROMMET
522 96 59-21	R1R2	FLANGE	541 20 05-33	I	BEARING
522 96 59-23	R1R2	FLANGE	541 20 06-42	W	CLAMP
522 96 59-25	R1R2	FLANGE	541 20 09-89	W	GAUGE
522 96 59-27	R1R2	FLANGE	541 20 11-15	R2	V-BELT
522 96 59-29	R1R2	FLANGE	541 20 13-54	T2	HOSE CLAMP
522 96 59-31	R1R2	FLANGE	541 20 19-08	R1	V-BELT
522 96 59-33	R1R2	FLANGE	541 20 19-76	Z	SWITCH
522 96 59-35	R1R2	FLANGE	541 20 20-61	I	PULLEY
522 96 59-42	R1R2	WASHER	541 20 45-91	Y	PIPE
523 02 50-01	S	SPROCKET	541 20 46-61	Y	CONNECTION
523 02 50-02	S	SPACER	541 20 46-82	N1	GREASE NIPPLE
523 11 95-01	F1F2	THROTTLE CONTROL	541 20 47-55	V	HYDRAULIC FIT
525 28 99-01	T2	TANK	541 20 47-56	U2V	HYDRAULIC FIT
525 30 57-01	F1F2	STUDS	541 20 47-68	U1V	HYDRAULIC FIT
525 30 57-02	F1F2	STUDS	541 20 48-06	U1	HYDRAULIC FIT
525 41 64-01	T1	TUBE	541 20 48-26	E2	RIVET
525 43 47-02	T2	HOSE	541 20 48-33	N1R1	
525 44 86-01	T1	FITTING		R2	NUT
525 55 04-01	E1T2	FITTING	541 20 48-55	L2P1	SLEEVE
525 55 07-01	E1T1T2	FITTING	541 20 48-70	P1V	SLEEVE
525 56 72-01	T2	HOSE	541 20 49-38	Q2X	
525 57 95-01	U1	HOSE		6AA	BOLT
525 60 60-01	AD	DECAL	541 20 49-71	F1F2	NUT
525 60 60-02	F1	DECAL	541 20 49-77	U1	FITTING
525 74 98-02	Q1	MUFFLER	541 20 49-83	V	CLUTCH
525 75 00-01	C	SCREW	541 20 49-91	N1	HYDRAULIC FIT
539 10 13-31	GHX6	NUT	541 20 50-11	O2	HYDRAULIC FIT
539 10 25-35	N1	COVER	541 20 51-33	AC	PIN
539 10 26-53	A	WASHER	541 20 52-53	F1F2J	
539 30 00-10	R1R2	DOWEL PIN		U1	NUT
539 30 00-11	L2Y	HOSE CLAMP	541 20 53-01	M	SCREW
539 30 00-69	K	FILTER, DIESEL FUEL	541 20 57-94	X6	WASHER
539 30 00-73	T1	CLAMP	541 20 66-91	Q1	PIPE CLAMP
539 30 01-11	F1F2	PLUG	541 20 69-43	P1	FLYWHEEL
539 30 01-13	Y	SWITCH BOOT	541 20 71-00	R1	KIT SHEAVE PULLER
539 30 01-23	O1	BEARING	541 20 71-00	R2	KIT, SHEAVE PULLER
539 30 01-33	R1	WRENCH	541 20 80-22	S	O-RING
539 30 02-43	L2	CLOSE NIPPLE	541 20 82-96	X1X2X	
539 30 02-68	I	PIN, COTTER		4X5X6	HYDRAULIC FIT
539 30 02-69	L2	HYDRAULIC FIT	541 20 83-45	X1X4	SPRING
539 30 03-40	GH	HANDLE BAR	541 20 83-57	X1	LATCH
539 30 04-40	Q1	CAP	541 20 84-21	L2	COWLING
539 30 11-23	AC	GREASE FITTING 90	541 20 84-25	Q1	BRACKET
539 30 11-53	I	SWITCH	541 20 84-26	B	ANSCHLAGWINKEL
539 30 13-66	I	NUT	541 20 84-27	L2	HOSE HANGER
539 30 13-67	I	SCREW	541 20 84-30	A	BRACKET WELDMENT
539 97 69-34	E2Z	SCREW	541 20 84-31	BX3	SPACER
539 97 69-41	V	SCREW	541 20 84-32	B	BELT GUARD

No.	Pos.	Description	No.	Pos.	Description
541 20 84-33	B	BELT GUARD	542 16 03-93	Q1Q2	RING
541 20 84-34	B	FLANGE GUARD	542 16 07-04	E1P1	VALVE
541 20 84-35	B	FLANGE GUARD	542 16 31-86	J	BUSHING
541 20 84-37	O1	FRONT AXLE	542 16 32-14	P3	BALL
541 20 84-40	X1X4	PLATE	542 16 32-45	GHL1	
541 20 84-42	X5	BLADE GUARD REAR		R2	GROMMET
541 20 84-47	X4	BLADE GUARD REAR	542 16 32-75	X2X4X5	
541 20 84-48	X4	BLADE GUARD FRONT		X6	SPLASH GUARD
541 20 84-52	X5X6	LATCH	542 16 33-95	X4	HOLDER
541 20 84-54	X6	BLADE GUARD REAR	542 16 34-87	R1R2	SCREW
541 20 84-55	X6	BLADE GUARD FRONT	542 16 34-88	R1R2	SCREW
541 20 84-57	X5X7	GUARD	542 16 35-82	M	WHEEL
541 20 84-60	AA	FRAME EXTENSION	542 16 36-56	P3	HOSE ASSY
541 20 84-61	X2	SHAFT COVER	542 16 36-72	HL1	DISTANCE RING
541 20 84-63	BX3	SPADE	542 16 36-89	H	LOCK WASHER
541 20 84-64	BX3	SPADE	542 16 39-27	AB	WEIGHT
541 20 84-66	B	SHEAVE GUARD	542 16 39-86	X2X5X6	DECAL
541 20 84-67	B	SHEAVE GUARD	542 16 42-43	S	GREASE FITTING
541 20 84-68	AA	BELT GUARD	542 16 42-97	O1	GREASE FITTING
541 20 84-70	AA	BELT GUARD	542 16 43-70	N2Y	CABLE SHOE
541 20 84-73	X7	BRACE	542 16 46-32	R1R2	KEY
541 20 84-75	AA	ANGLE	542 16 60-38	Z	KNOB
541 20 84-84	X5	BRACKET	542 16 63-51	P1P2	BEARING
542 02 00-49	GKT2	HOSE CLAMP	542 16 63-52	Q1	DAMPER
542 02 02-01	AC	SCREW	542 16 63-56	CQ1AA	SCREW
542 02 02-96	Y	TUBE	542 16 63-68	Q1	SCREW
542 02 03-21	V	SCREW	542 16 63-93	T2	CAP
542 02 03-52	C	SCREW	542 16 64-13	G	TANK
542 02 03-77	M	SCREW	542 16 64-42	Q1	BRACKET
542 02 05-51	O1	SCREW	542 16 64-48	Q2V	FILTER HEAD
542 02 05-87	DF1F2	SCREW	542 16 64-49	Q2V	HYDRAULIC FILTER
542 02 06-16	N1	PIN	542 16 64-66	JU1	ROD END MALE
542 02 07-45	J	RING	542 16 64-80	R1R2	WASHER
542 02 07-63	Q2	WASHER	542 16 64-91	GH	MANSCHETTE
542 02 07-77	A	WASHER	542 16 66-22	F1F2	FUSE BLOCK
542 02 08-64	X4X6	SCREW	542 16 66-24	D	BOLT
542 02 08-90	M	CORDE	542 16 66-30	T1	CLAMP
542 02 14-04	AC	SCREW	542 16 66-74	P2	CLAMP
542 03 08-22	CI	WHEEL	542 16 66-85	P2	ROTOR ASSY
542 03 23-66	CIX6	NUT	542 16 67-08	F1F2	REALY
542 04 02-61	L2	WATER VALVE	542 16 67-50	X4	MANNIFOLD ASSY
542 04 03-30	E2	SPRING	542 16 68-16	X1X4	LATCH
542 04 11-75	O1	GREASE FITTING	542 16 68-53	A	DECAL
542 04 56-40	L2	RING	542 16 68-55	YZ	FUSE
542 04 61-01	X1X4	WASHER	542 16 68-57	F1F2	FUSE
542 04 61-28	X1X2X		542 16 68-78	F2	SCREW
	4X5X6	DECAL	542 16 68-80	W	ADAPTOR
542 04 64-02	O1AC	WASHER	542 16 69-07	P1	VALVE
542 04 64-25	M	SPRING WASHER	542 16 69-34	AB	SPACER
542 04 91-54	X2X5	HINGE BLADE GUARD	542 16 69-42	X5	WATER TUBE
542 04 91-96	X5X6	MANIFOLD	542 16 69-57	X4	SCREW
542 04 92-06	X5X6	GASKET	542 16 69-86	X4	WATER TUBE
542 04 92-12	X5X6	SUPPORT	542 16 70-35	N2O2	FUSE
542 07 20-86	X3	WING NUT	542 16 72-89	X1X4	DECAL
542 09 05-52	YZ	PLATTE	542 16 72-98	X1X2X	
542 13 66-08	T1	CLAMP		4X5X6	DECAL
542 13 66-85	J	NUT	542 16 74-44	AB	SCREW
542 13 80-59	AB	BRACKET WEIGHT	542 16 74-47	Q1Q2	SCREW
542 13 95-68	GH	GRIP	542 16 74-48	X3	NUT
542 13 96-49	E1P1	ADAPTER	542 16 74-49	B	LOCKING PIN
542 13 97-38	X5	NUT	542 16 74-78	X6	SCREW
542 13 97-42	JX1	NUT	542 16 75-03	X1X4	BOLT
542 13 97-42	X4	NUT	542 16 75-32	X5X7	SCREW
542 13 97-45	X4	LOCK NUT	542 16 75-55	BCGHL	
542 13 97-51	X1X4	SCREW		1L2Q1	NUT
542 13 97-60	X5X6	SCREW	542 16 75-64	AB	SCREW
542 13 97-61	X5	SCREW	542 16 76-31	AB	SCREW
542 13 97-64	X3	SCREW	542 16 78-18	X4	SCREW
542 16 01-96	M	POINTER ROD	542 16 79-25	C	FLANGE
542 16 02-44	E1E2V	SCREW	542 16 90-65	A	DECAL

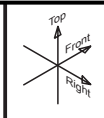
No.	Pos.	Description	No.	Pos.	Description
542 16 91-57	X1X2	O-RING	542 19 18-44	X6	WATER TUBE ASSY
542 17 20-17	BX4X5		542 19 18-45	X6	TUBE
	X6	NUT	542 19 18-94	I	CABLE ASSY DEPTH IND
542 17 30-10	C	NUT	542 19 19-62	CQ1Q2	
542 17 30-19	VX4X5	STAR WASHER		X3X4AA	WASHER
542 17 30-47	Y	WASHER	542 19 19-63	S	NIPPLE
542 17 44-46	U1	CAPSCREW	542 19 51-27	X1X4	HINGE BLADE GUARD
542 17 46-79	GH	ADJUSTABLE LEVER	542 19 60-29	X1X2X	
542 17 62-23	AP3	DECAL		4X5X6	DECAL
542 17 63-83	F1F2	SWITCH	542 19 61-71	AB	WEIGHT
542 17 67-52	AB	SCREW	542 19 61-72	AB	WEIGHT
542 17 69-94	J	CONTROLARM	542 19 61-73	L2	WATER HOSE
542 17 69-96	J	ARM	542 19 71-01	Z	CABLE STRAP
542 17 69-98	J	BRACKET	542 19 71-70	X1X2X	
542 17 70-56	YZ	CLAMP		4X5X6	WINGBOLT
542 17 70-66	B	RUBBER BOOT	542 19 80-22	AB	WEIGHT KIT
542 17 72-39	N2	PIN	542 19 80-43	P1	HOSE
542 17 72-74	X5	BLADE GUARD FRONT	542 19 80-77	B	BATTERY
542 17 86-87	Y	CONNECTION	542 19 80-78	B	HOLDER
542 17 87-24	L2	SWITCH	542 19 81-00	AB	WEIGHT HANDLE
542 18 04-27	F1F2	DECAL	542 19 81-02	X6	HINGE HALF OUTER
542 18 10-26	A	DECAL	542 19 81-03	X6	HINGE HALF INNER
542 18 10-39	J	WASHER	542 19 81-91	X6	BLADE GUARD ASSY
542 18 11-09	MX3	NUT	542 19 87-78	X4	BLADE GUARD ASSY
542 18 11-17	Z	SPOTLIGHT KIT	542 19 88-42	N1	REAR WHEEL
542 18 11-18	Z	PIPE	542 19 88-43	N1	BEARING
542 18 11-20	Z	PIPE	542 19 88-78	N1	WHEEL MOTOR
542 18 11-26	Z	CABLE	542 19 89-15	U2	VALVE
542 18 11-27	Z	CABLE	542 19 89-16	O2	NEEDLE VALVE
542 18 12-06	O2	ACTUATORS	542 19 89-17	U2	VALVE CONE
542 18 13-61	G	GROMMET	542 19 89-32	O2	BOLT
542 18 20-99	J	CONNECTION CLAMP	542 19 89-36	O1	BOLT
542 18 21-02	J	SWITCH ASSY	542 19 89-40	P1	SPACING BLOCK
542 18 21-46	J	BOLT	542 19 89-49	U1	O-RING
542 18 21-84	B	CABLE BATTERY	542 19 89-53	P2	RING
542 18 22-19	F1F2	ROCKER SWITCH	542 19 89-65	N1	TURNBUCKLE
542 18 22-20	F1F2	ROCKER SWITCH	542 19 89-75	P2	ARMATURE CLUTCH
542 18 22-28	I	HARNESS CPL	542 19 89-96	B	SHIELD
542 18 22-33	P2	DIODE ASSY CLUTCH	542 19 90-17	H	CONTRACTOR
542 18 22-62	F1F2	SWITCH ASSY ETRAC	542 19 90-18	G	CONTRACTOR
542 18 23-03	M	FRONT POINTER	542 19 90-21	L1	ISOLATOR
542 18 30-01	J	BARREL BUSHING	542 19 90-29	A	BRACKET
542 18 31-06	K	GAS CAP	542 19 90-39	L2	RUBBER INSULATOR
542 18 31-24	CJ	WASHER	542 19 90-40	D	COVER
542 18 31-37	J	NEUTRAL SAFETY SWITCH	542 19 90-44	S	BOLT
542 18 31-54	J	CAP SCREW	542 19 90-45	R2	KEY
542 18 33-75	P1P3	PLUG	542 19 90-53	ABDGH	
542 18 33-96	M	EQUIPMENT RACK		L1L2N1	
542 18 35-30	P1	HYDRAULIC FIT		O1P2Q1	BODY BOLT
542 18 38-78	AA	SCREW	542 19 91-24	L2	HYDRAULIC FIT
542 18 39-98	X1X4	STRINGLE	542 19 91-25	L2	HYDRAULIC FIT
542 18 39-99	X1X4	SCREW	542 19 91-26	L2	HYDRAULIC FIT
542 18 83-24	A	SCREW	542 19 91-27	L2	HYDRAULIC FIT
542 19 05-95	P3	DECAL	542 19 91-28	X1X2X	
542 19 06-28	A	DECAL		4X5X6	SPRING
542 19 07-33	L2	DECAL	542 19 91-83	J	CABLE
542 19 10-75	X6	RUBBER BUMPER	542 19 92-02	I	BRACKET
542 19 10-82	W	AIR FILTER ASSY	542 19 92-10	K	PIPE
542 19 11-14	W	HOUSE	542 19 92-22	J	HANDLE & SWITCH ASSY
542 19 11-15	W	FILTER	542 19 92-35	K	CONNECTION
542 19 11-16	W	FILTER	542 19 92-36	K	CONNECTION
542 19 11-18	W	CAP	542 19 92-39	N2	BOLT
542 19 11-42	X1X4	LEAF PROTECTION	542 19 92-41	N2	BOLT
542 19 12-84	S	FITTING	542 19 92-47	L2	BRACKET
542 19 13-16	P1	HOSE	542 19 93-08	C	WHEEL HOLDER
542 19 17-14	O1	BALL BEARING	542 19 93-53	N1	HOSE
542 19 17-16	AC	WHEEL	542 19 93-54	N1	HOSE
542 19 17-70	O1	WHEEL ASSY	542 19 93-55	N1	HOSE
542 19 17-71	O1	WHEEL ASSY	542 19 93-58	V	HOSE
542 19 17-96	AB	WEIGHT BOX	542 19 93-59	V	HOSE

No.	Pos.	Description	No.	Pos.	Description
542 19 93-87	P2	CLUTCH DRIVE	542 20 62-93	F1F2	WASHER
542 19 93-96	P2	FIELD COIL ASSY	542 20 63-56	Q1	WASHER
542 19 93-97	B	BATTERY CABLE ASSY	542 20 64-16	P3	STUD
542 19 93-98	B	BATTERY CABLE ASSY	542 20 64-17	F1F2	LED LIGHT RED
542 19 94-14	U2	BALANCE VALVE	542 20 66-60	P1	VALVE
542 19 94-26	N1	NUT	542 20 66-66	D	LATCH SIDE PANEL
542 19 94-27	N1	SPRING	542 20 66-80	D	LATCH SIDE SHIELD
542 19 94-33	F1F2	DECAL	573 96 68-01	T2	CLAMP
542 19 94-35	C	DECAL	574 74 41-01	F1F2	CONTROL
542 19 94-51	J	SPEED GOVERNOR	574 74 42-02	R2	SWITCH
542 19 94-52	K	HOSE	574 85 33-01	AC	LIFTING ARM
542 19 94-75	N2	BRACKET	574 85 33-05	AC	LIFTING ARM
542 19 94-78	GT2	HOSE	574 85 90-03	AC	PIVOT
542 19 94-79	Q1	SCREW	574 86 81-01	AC	BRACKET
542 19 94-80	P2	BUSHING	575 63 12-01	AC	BRACKET
542 19 94-81	R1	GEAR BOX	575 77 84-01	D	DECAL
542 19 95-12	N2	LINK	575 95 78-01	DW	HOSE CLAMP
542 19 95-30	R1R2	PULLEY	575 95 89-01	W	HOSE CLAMP
542 19 95-31	R1	PULLEY	576 19 11-85	V	FITTING
542 19 95-32	R2	PULLEY	576 31 52-05	Y	HOSE CLAMP
542 19 95-66	W	AIR HOOD	576 87 89-28	Q1X3	
542 19 95-86	F1	DECAL		X4AA	NUT
542 19 96-26	Y	WATER PUMP ASSY	725 23 31-71	X4	SCREW
542 19 96-33	N1N2	DISC SLIDER	725 23 33-71	Y	SCREW
542 19 96-37	Y	WATER PUMP	725 23 66-71	R2SX2	SCREW
542 19 96-39	Y	FITTING	725 23 68-71	HJX1	SCREW
542 19 96-40	Y	GROMMET KIT	725 23 70-71	Q1X1	
542 19 96-41	Y	INLET FILTER		X2X3X4	
542 19 96-43	Y	STRAINER SCREEN		X5X6	SCREW
542 19 96-46	Y	PLATE	725 23 76-71	J	SCREW
542 19 96-48	Y	SWITCH	725 23 78-51	X6	SCREW
542 19 96-49	Y	SWITCH	725 23 79-51	X1X2X4	SCREW
542 19 96-52	Y	HOLDER	725 24 47-71	Q1T2	SCREW
542 19 96-57	Y	HOSE	725 24 49-71	Q1X5	SCREW
542 19 96-58	Y	HOSE	725 24 51-71	Q1T1X4	SCREW
542 19 96-71	Y	CABLE	725 24 51-76	P2	SCREW
542 19 96-77	E2	SEIL	725 24 53-71	Q1X5	SCREW
542 19 96-91	CX3	SCREW	725 24 53-76	X1X2	SCREW
542 19 96-92	C	STOP	725 24 55-71	Q1Q2	SCREW
542 19 97-00	R1	V-BELT	725 24 57-76	P2	SCREW
542 19 97-13	A	DECAL	725 24 67-51	A	SCREW
542 19 97-14	A	DECAL	725 24 93-71	BCX1X6	
542 19 97-23	AA	BELT SCUFF PLATE		X7AA	SCREW
542 19 97-41	V	HOSE	725 24 95-71	BP1P3	
542 19 97-49	H	PLATE		Q1X5X7	
542 19 97-53	AB	BRACKET WEIGHT BOX		AAAC	SCREW
542 19 97-55	AB	BRCKTET WEIGHT BOX	725 24 99-71	M	SCREW
542 19 97-57	AB	WEIGHT KIT	725 25 01-51	CQ1	SCREW
542 19 97-58	O2	CONTROL VALVE	725 25 09-51	P1	SCREW
542 19 97-66	R1	V-BELT	725 25 13-51	B	SCREW
542 19 98-36	R2	GEARBOX. 3-SPEED	725 25 15-51	AA	SCREW
542 20 32-58	X1	BLADE GUARD REAR	725 25 32-71	Q1X2	SCREW
542 20 32-64	X1	BLADE GUARD FRONT	725 25 34-71	BQ2X7Z	SCREW
542 20 32-66	X1	BLADE GUARD ASSY	725 25 36-71	ACAB	
542 20 32-97	X1	BLADE GUARD REAR		AC	SCREW
542 20 32-98	X1	GUARD	725 25 38-71	A	SCREW
542 20 33-03	X1	BLADE GUARD FRONT	725 25 41-71	AB	SCREW
542 20 33-05	X1	BLADE GUARD ASSY	725 25 42-71	CAB	SCREW
542 20 33-10	X1	BLADE GUARD REAR	725 25 45-71	N1N2	SCREW
542 20 33-16	X1	BLADE GUARD FRONT	725 25 46-71	C	SCREW
542 20 33-18	X1	BLADE GUARD ASSY	725 25 48-71	O1	SCREW
542 20 33-31	X5	BLADE GUARD	725 25 52-51	AB	SCREW
542 20 33-35	X1	COVER	725 54 55-55	P2	SCREW
542 20 51-91	M	EXTENSION POINTER	725 64 93-55	BX3	SCREW
542 20 53-08	J	SWITCH BLOCK	731 23 14-01	X4	HEXAGON NUT
542 20 53-09	J	SWITCH	731 23 16-01	X1X2	HEXAGON NUT
542 20 62-01	E2	LANYARD. FILTER RETAINER	731 23 18-01	L1X5	HEXAGON NUT
542 20 62-51	I	SPRING	731 23 22-01	O1	HEXAGON NUT
542 20 62-58	P3	SHIFT ROD LONG	731 43 20-01	P3	NUT
542 20 62-92	F1F2	NUT	732 25 14-01	Y	HEXAGON LOCKING NUT

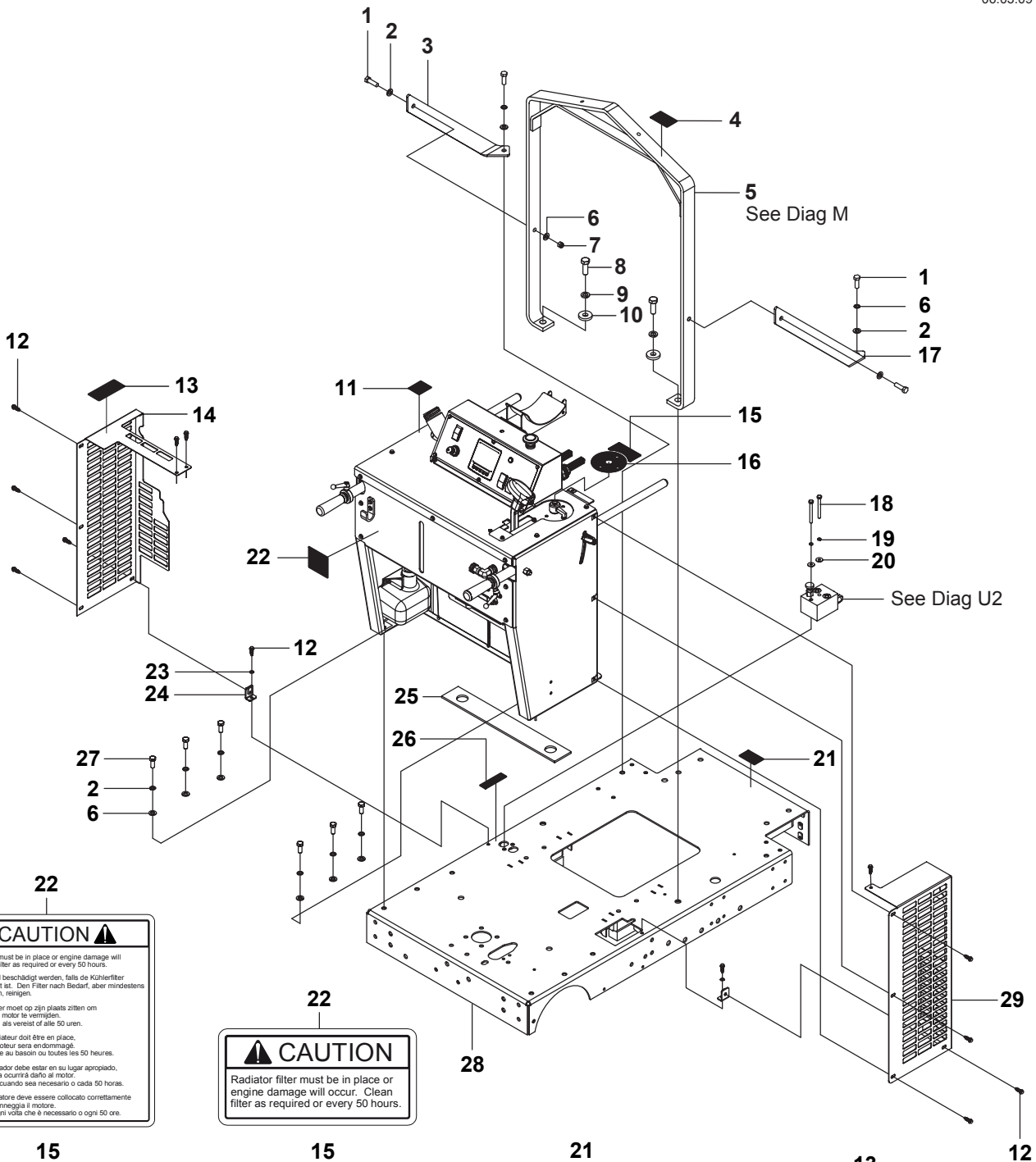
No.	Pos.	Description	No.	Pos.	Description
732 25 16-01	BE1JQ1 X1X2X3				
	X5X6	HEXAGON LOCKING NUT			
732 25 18-01	DL1Q1S X1X2X3				
	X6	HEXAGON LOCKING NUT			
732 25 20-01	BMQ1 X1X3X5				
	X6X7	HEXAGON LOCKING NUT			
732 25 22-01	AX2X5				
	X7ZAB	HEXAGON LOCKING NUT			
734 11 52-01	BX4X5 X6	WASHER			
734 11 54-41	X1X2	WASHER			
734 11 63-01	L1Q1U1 X1X2X4				
	X5X6	WASHER			
734 11 65-41	E2	WASHER			
734 11 72-01	BQ1X1 X7AA	WASHER			
	B	WASHER			
734 11 73-01	ACGH				
	Q2X2 X5X7	WASHER			
735 11 53-01	BX4	WASHER			
735 11 64-01	AE1E2				
	Q1T1T2	SPRING WASHER			
735 11 73-01	CMP1P3 Q1Q2X7				
	AAAC	SPRING WASHER			
	ABCN1 N2Q1Q2				
	ABAC	BEILAGSCHEIBE			
740 38 08-01	S	SEALING WASHER			

A FS9900D T3A

Frame, Cowling, Lift Bail



06.03.09



CAUTION

Radiator filter must be in place or engine damage will occur. Clean filter as required or every 50 hours.

Der Motor wird beschädigt werden, falls der Kühlerfilter nicht eingebaut ist. Den Filter nach Bedarf, aber mindestens alle 50 Stunden, reinigen.

De radiatorfilter moet op zijn plaats zitten om schade aan de motor te vermijden. De filter kuisen als vereist of alle 50 uren.

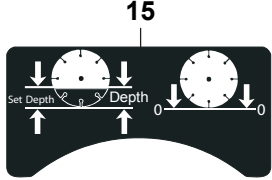
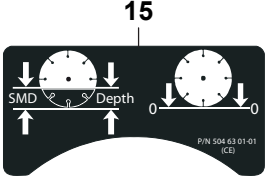
Le filtre du radiateur doit être en place, sans quoi le moteur sera endommagé. Nettoyer le filtre au bassin ou toutes les 50 heures.

El filtro del radiador debe estar en su lugar apropiado, de otra manera ocurrirá daño al motor. Limpie el filtro cuando sea necesario o cada 50 horas.

Il filtro del radiatore deve essere collocato correttamente altrimenti si danneggia il motore. Pulire il filtro ogni volta che è necessario o ogni 50 ore.

CAUTION

Radiator filter must be in place or engine damage will occur. Clean filter as required or every 50 hours.



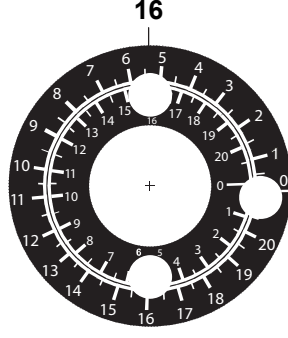
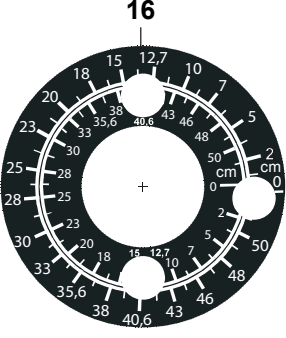
WARNING

Machinery Hazard - Always keep all guards in place. Maquina en funcionamiento. Los capotes deben estar en posición.

All guards must be in place. Los capotes deben estar en posición.

CAUTION

THE SAW MUST BE LEVEL WHEN THE ENGINE OIL IS CHECKED. SEVERE ENGINE DAMAGE WILL OCCUR IF THE ENGINE IS OVERFILLED WITH OIL.

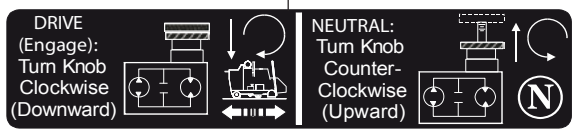


DIESEL

LOW OR ULTRA LOW SULFUR FUEL ONLY

WARNING

Muffler is HOT! May Cause Burns And / Or Ignition Of Material. Avoid Contact!

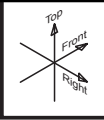


Page A

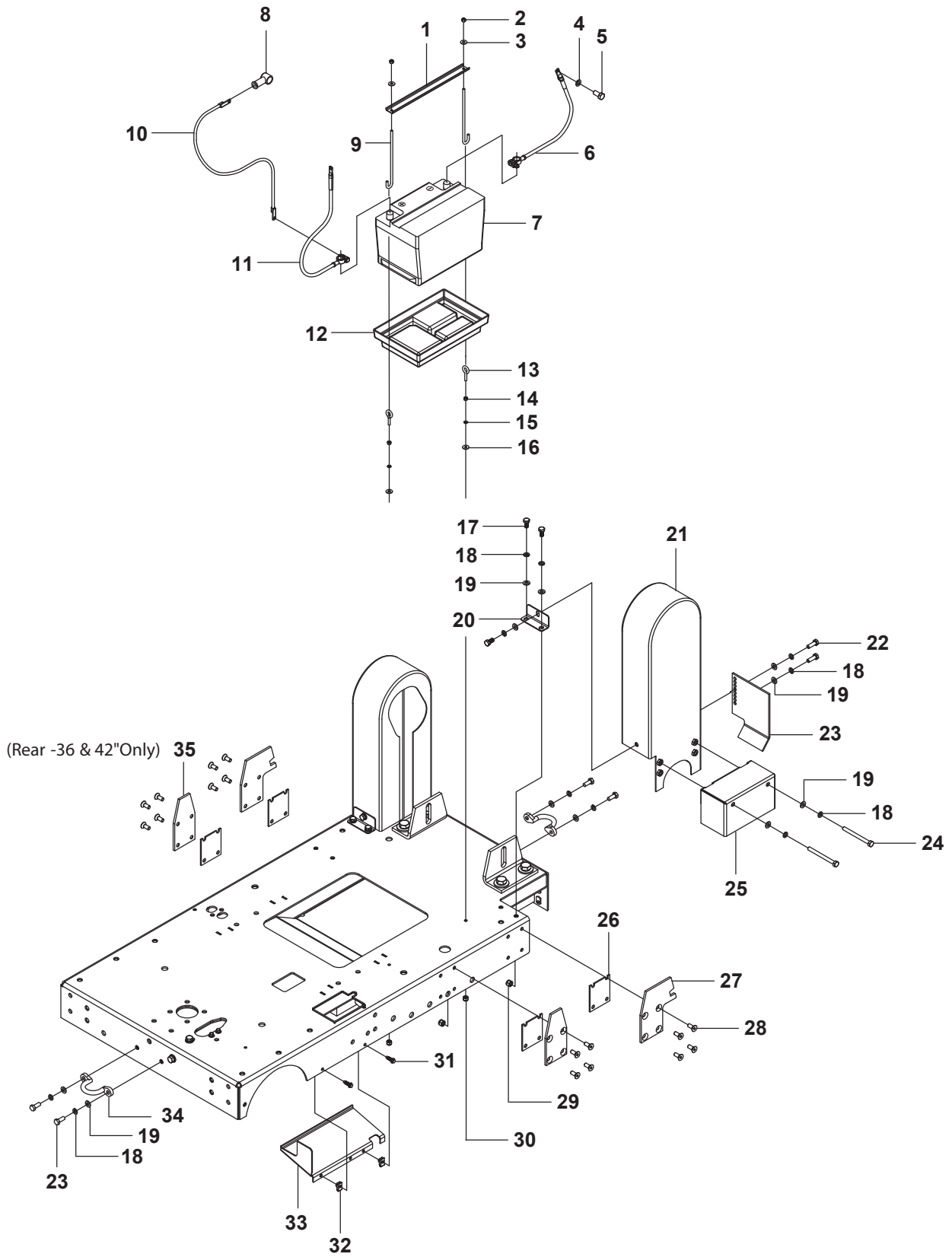
FS9900D T3A UPPER FRAME

Pos.	Part No.	Description	Quantity	Notes	New Part
1	725 25 38-71	SCREW	4		
2	734 11 78-01	WASHER	4		
3	505 06 38-05	FRAME	1		
4	542 16 90-65	DECAL	1		
5	505 06 38-01	FRAME	1	See Diag M	
6	735 11 78-01	BEILAGSCHEIBE	2		
7	732 25 22-01	HEXAGON LOCKING NUT	2		
8	542 18 83-24	SCREW	2		
9	539 99 03-33	WASHER	2		
10	539 10 26-53	WASHER	2		
11	525 60 60-01	DECAL	1		
12	542 19 90-53	BODY BOLT	13		
13	521 88 53-02	DECAL	1		
14	510 36 27-01	GUARD	1		
15	504 63 01-01	DECAL	1	CE	
15	542 19 97-13	DECAL	1		
16	504 62 84-01	DECAL	1	CE	
16	542 19 97-14	DECAL	1		
17	505 06 38-07	FRAME	1		
18	725 24 67-51	SCREW	2		
19	542 02 07-77	WASHER	2		
20	539 99 01-88	WASHER	2		
21	542 17 62-23	DECAL	1		
22	542 16 68-53	DECAL	1		
22	542 18 10-26	DECAL	1	CE	
23	735 11 64-01	SPRING WASHER	2		
24	541 20 84-30	BRACKET WELDMENT	2		
25	542 19 90-29	BRACKET	1		
26	542 19 06-28	DECAL	1		
27	725 25 36-71	SCREW	6		
28	506 49 79-01	FRAME	1		
29	505 06 78-07	GUARD	1		

B FS990D T3A Upper Frame



10.27.09

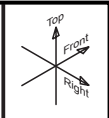


Page B

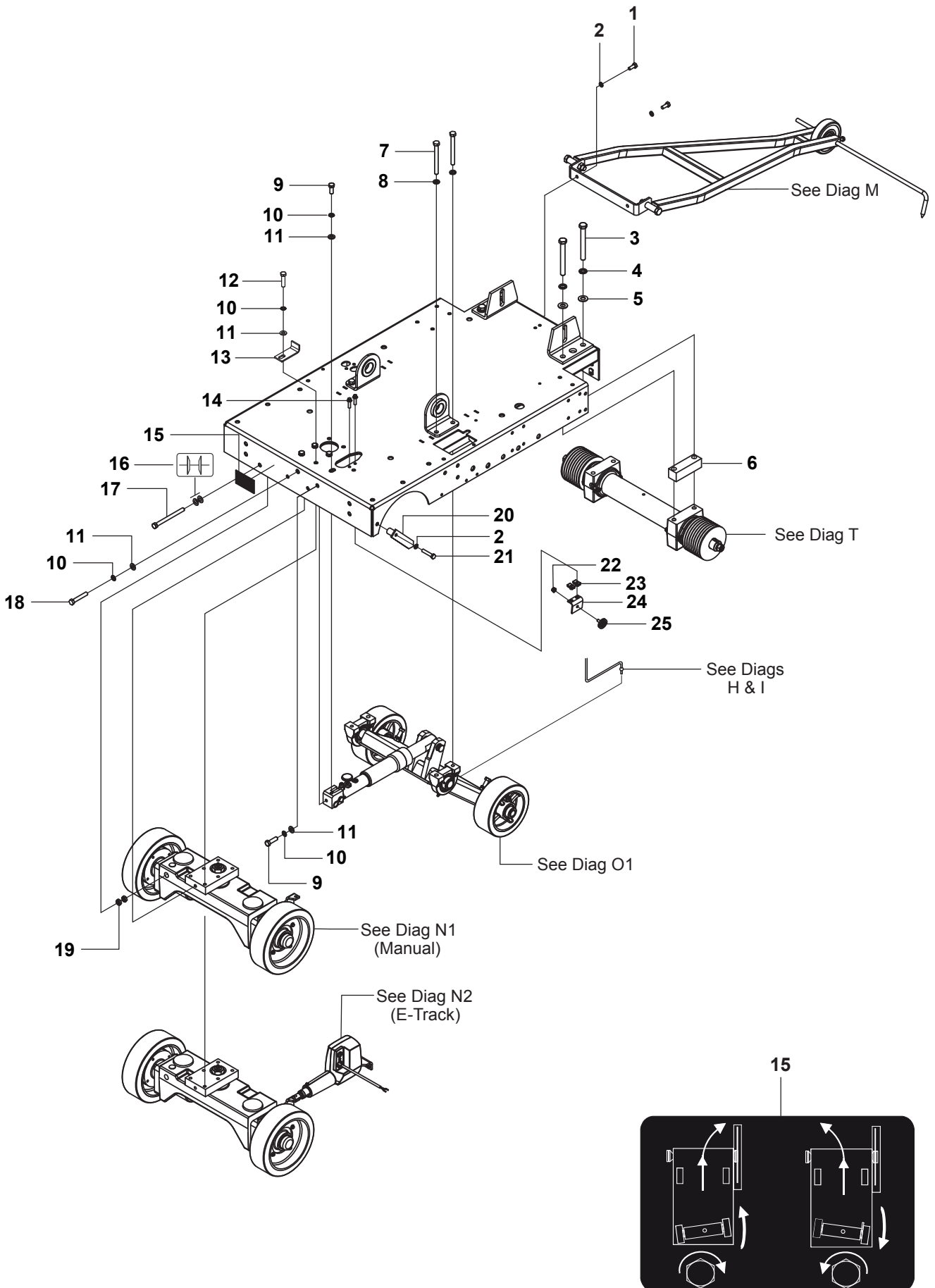
FS9900D T3A UPPER FRAME

Pos.	Part No.	Description	Quantity	Notes	New Part
1	542 19 80-78	HOLDER	1		
2	539 97 69-78	NUT	2		
3	542 02 07-62	WASHER	2		
4	735 11 78-01	WASHER	1		
5	725 25 34-71	SCREW	1		
6	542 19 93-98	BATTERY CABLE ASSY	1		
7	542 19 80-77	BATTERY	1		
8	542 17 70-66	RUBBER BOOT	1		
9	505 55 12-01	BOLT	2		
10	542 18 21-84	CABLE BATTERY	1		
11	542 19 93-97	BATTERY CABLE ASSY	1		
12	506 49 76-01	BATTERY BOX	1		
13	542 16 74-49	LOCKING PIN	2		
14	542 17 20-17	NUT	2		
15	735 11 53-01	WASHER	2		
16	734 11 52-01	WASHER	2		
17	725 24 93-71	SCREW	6		
18	734 11 73-01	WASHER	16		
19	734 11 72-01	WASHER	16		
20	541 20 84-26	ANSCHLAGWINKEL	2		
21	501 97 10-02	BELT GUARD	1	RH 3-Speed	
21	501 97 11-02	BELT GUARD	1	LH 3-Speed	
21	541 20 84-32	BELT GUARD	1	RH 1-Speed	
21	541 20 84-33	BELT GUARD	1	LH 1-Speed	
22	725 24 95-71	SCREW	4		
23	541 20 84-66	SHEAVE GUARD	1	RH	
23	541 20 84-67	SHEAVE GUARD	1	LH	
24	542 17 25-01	SCREW	1		
25	541 20 84-34	FLANGE GUARD	1	5-7" Flange	
25	541 20 84-35	FLANGE GUARD	1	8" Flange	
26	541 20 84-31	SPACER	2	x4 for 36" & 42"	
27	541 20 84-63	SPADE	1	LH	
27	541 20 84-64	SPADE	1	RH	
28	542 16 74-91	SCREW	8	x16 for 36" & 42"	
29	732 25 20-01	HEXAGON LOCKING NUT	8	x16 for 36" & 42"	
30	732 25 16-01	HEXAGON LOCKING NUT	2		
31	542 19 90-53	BOLT	2		
32	542 16 75-55	NUT	2		
33	542 19 89-96	SHIELD	1		
34	504 58 03-02	SHIELD	2		
35	504 83 94-01	SPADE	2	REAR 36" & 42" Only	

C FS9900D T3A Lower Frame with Pointers



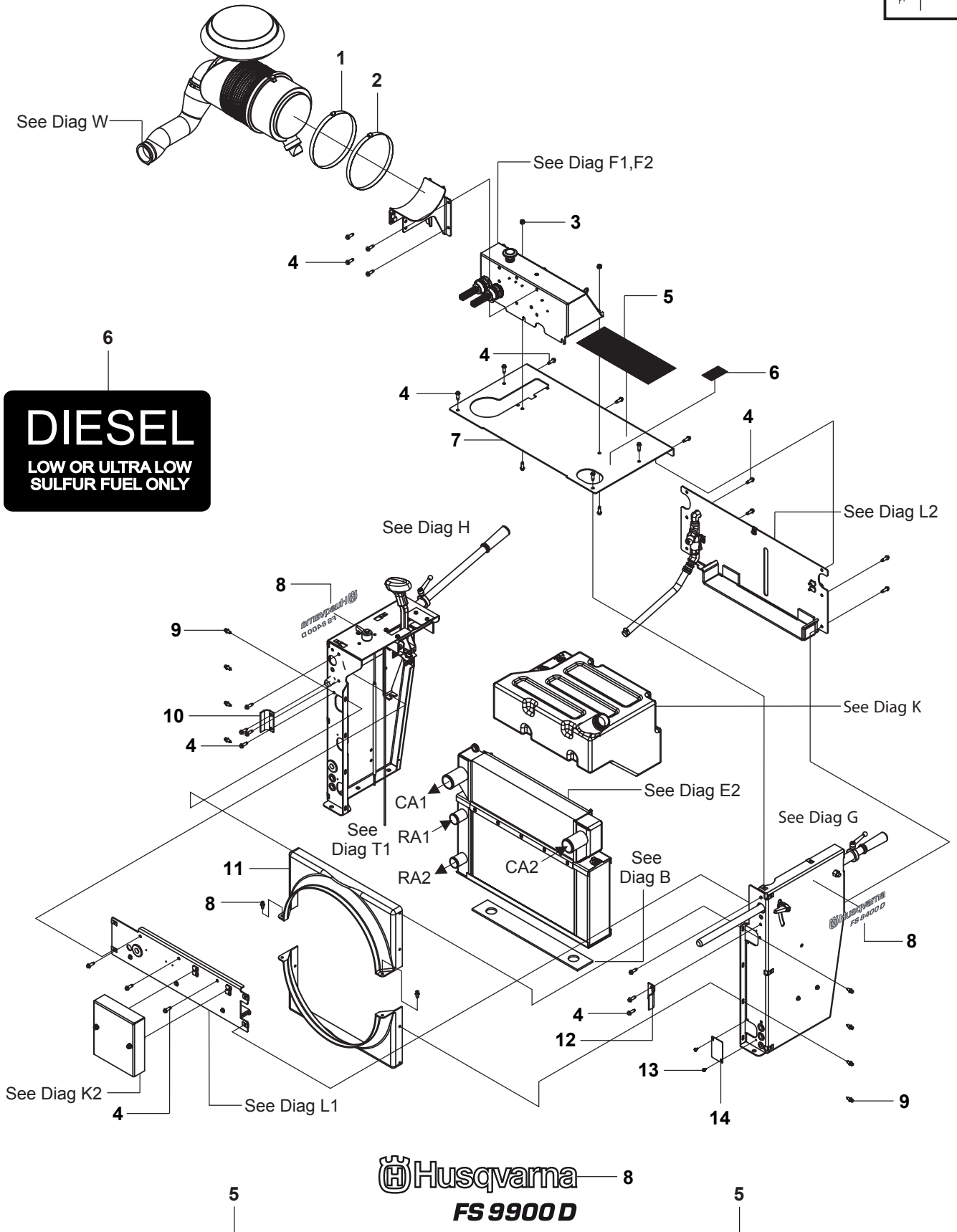
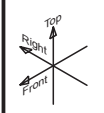
06.03.09



Page C**FS9900D T3A LOWER FRAME WITH POINTERS**

Pos.	Part No.	Description	Quantity	Notes	New Part
1	725 24 93-71	SCREW	2		
2	735 11 73-01	SPRING WASHER	3		
3	542 16 63-56	SCREW	4	48"	
3	542 19 96-91	SCREW	4	18" - 42"	
4	542 19 19-62	WASHER	4		
5	539 97 69-82	WASHER	4		
6	542 19 96-92	STOP	2		
7	542 02 03-52	SCREW	4		
8	539 99 02-54	WASHER	4		
9	725 25 36-71	SCREW	1		
10	735 11 78-01	WASHER	7		
11	734 11 78-01	WASHER	4		
12	725 25 42-71	SCREW	4		
13	522 81 23-01	BRACKET	1		
14	542 16 79-25	FLANGE	2		
15	542 19 94-35	DECAL	1		
16	542 18 31-24	WASHER	2		
17	525 75 00-01	SCREW	1		
18	725 25 46-71	SCREW	1		
19	542 17 30-10	NUT	2		
20	504 06 12-01	POINTER	1		
21	725 25 01-51	SCREW	1		
22	542 03 23-66	NUT	1		
23	542 16 75-55	NUT	2		
24	542 19 93-08	WHEEL HOLDER	1		
25	542 03 08-22	WHEEL	1		

D Cowling FS8400



<p>WARNING</p> <p>FAILURE TO FOLLOW THE WARNINGS AND INSTRUCTIONS BELOW MAY RESULT IN SERIOUS INJURY OR DEATH.</p>		
<p>Read and understand the manual before operating the machine. Disconnect the spark plug wire or battery before starting. This unit is for use only by trained operators. ALWAYS WEAR YOUR SAFETY BELT.</p> <p>LEAD-ACID BATTERY (IN NORTH AMERICA):</p> <ul style="list-style-type: none"> Machinery hazard - Always wear eye protection when operating the machine. Always wear eye protection when working with or around the battery. Always use the battery with the correct voltage and capacity. Always use the battery with the correct polarity. Always use the battery with the correct type of charger. Always use the battery with the correct type of equipment. Always use the battery with the correct type of equipment. Always use the battery with the correct type of equipment. 	<p>Always operate with blade guard in closed position.</p> <p>Always use safety approved hearing, eye, head and respiratory protection.</p> <p>Never stand behind or in front of the blade path while the engine is running.</p> <p>Always use blade guards when shown for each blade set.</p> <p>Never use damaged or worn blade guards.</p> <p>Never leave the machine unattended while the engine is running.</p> <p>Never operate this machine without a blade in place.</p>	<p>Never touch, jam, wedge or bind blade in a cut.</p> <p>Never use a saw cutting blade without adequate back support.</p> <p>Always use the correct blade for the type of work.</p> <p>Always use a saw cutting blade without adequate back support. Check with the blade manufacturer if you do not know the blade is correct.</p> <p>Never cut across grain of log.</p> <p>Always use caution when lifting and transporting the machine. Lift off from the PTO. Never use the machine to lift or move heavy loads by itself. Always tie down machinery when transporting.</p> <p>Never use this machine without a valid license.</p> <p>Never operate the engine with the machine when the influence of drugs or alcohol.</p> <p>Never allow other persons near the machine when cutting.</p> <p>Never use this machine to cut an object with the machine. If the object is not supported, it will fall forward down and on you.</p> <p>Place in operation in areas with overhead power lines, telephone lines, or other overhead lines.</p>
<p>STOP</p> <p>FORWARD</p> <p>REVERSE</p> <p>RAISE BLADE</p> <p>LOWER BLADE</p>		<p>CE</p>

Husqvarna 8
FS 9900 D

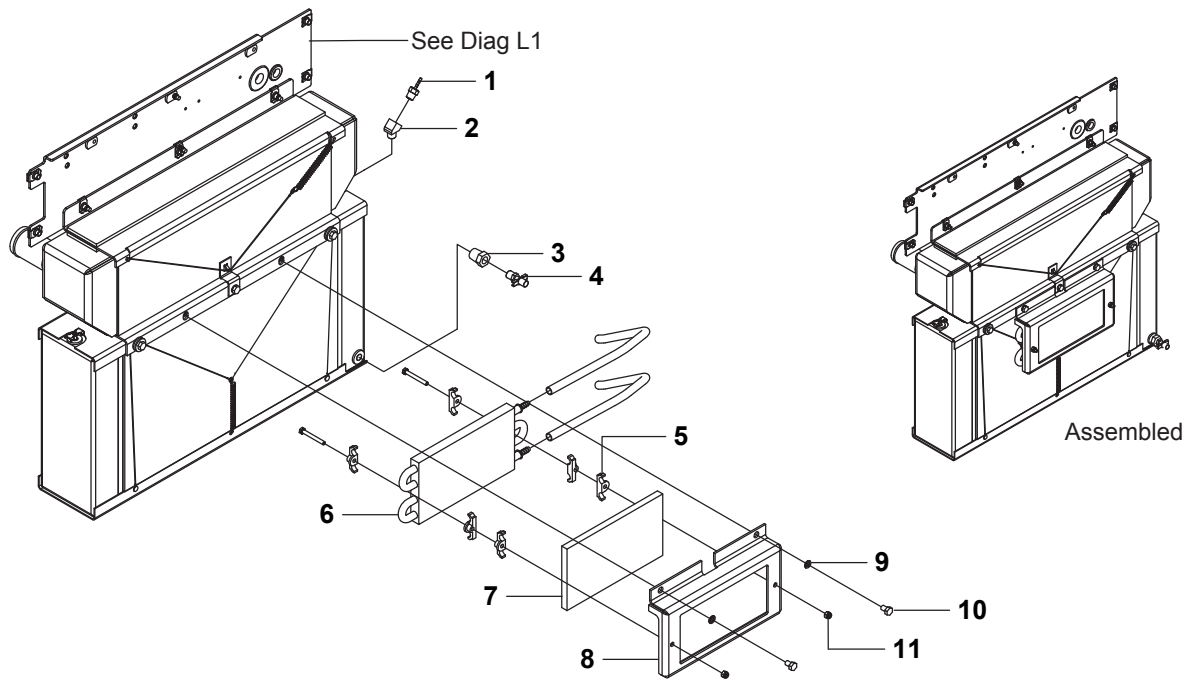
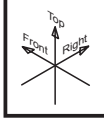
<p>WARNING DIE WARNUNG WAARSCHUWING</p> <p>AVERTISSEMENT ADVERTENCIA AVVERTIMENTO</p>		
<p>Read and understand the manual before operating the machine. Disconnect the spark plug wire or battery before starting. This unit is for use only by trained operators. ALWAYS WEAR YOUR SAFETY BELT.</p> <p>LEAD-ACID BATTERY (IN NORTH AMERICA):</p> <ul style="list-style-type: none"> Machinery hazard - Always wear eye protection when operating the machine. Always wear eye protection when working with or around the battery. Always use the battery with the correct voltage and capacity. Always use the battery with the correct polarity. Always use the battery with the correct type of charger. Always use the battery with the correct type of equipment. Always use the battery with the correct type of equipment. Always use the battery with the correct type of equipment. 	<p>Always operate with blade guard in closed position.</p> <p>Always use safety approved hearing, eye, head and respiratory protection.</p> <p>Never stand behind or in front of the blade path while the engine is running.</p> <p>Always use blade guards when shown for each blade set.</p> <p>Never use damaged or worn blade guards.</p> <p>Never leave the machine unattended while the engine is running.</p> <p>Never operate this machine without a blade in place.</p>	<p>Never touch, jam, wedge or bind blade in a cut.</p> <p>Never use a saw cutting blade without adequate back support.</p> <p>Always use the correct blade for the type of work.</p> <p>Always use a saw cutting blade without adequate back support. Check with the blade manufacturer if you do not know the blade is correct.</p> <p>Never cut across grain of log.</p> <p>Always use caution when lifting and transporting the machine. Lift off from the PTO. Never use the machine to lift or move heavy loads by itself. Always tie down machinery when transporting.</p> <p>Never use this machine without a valid license.</p> <p>Never operate the engine with the machine when the influence of drugs or alcohol.</p> <p>Never allow other persons near the machine when cutting.</p> <p>Never use this machine to cut an object with the machine. If the object is not supported, it will fall forward down and on you.</p> <p>Place in operation in areas with overhead power lines, telephone lines, or other overhead lines.</p>
<p>STOP</p> <p>FORWARD</p> <p>REVERSE</p> <p>RAISE BLADE</p> <p>LOWER BLADE</p>		<p>CE</p>

Page D**FS9900D T3A COWLING**

Pos.	Part No.	Description	Quantity	Notes	New Part
1	575 95 78-01	HOSE CLAMP	2		
2	504 83 71-03	AIR CLEANER	1		
3	732 25 18-01	HEXAGON LOCKING NUT	2		
4	542 19 90-53	BODY BOLT	27		
5	521 97 03-01	DECAL	1		
5	521 97 03-02	DECAL	1	CE	
6	525 60 60-01	DECAL	1		
7	542 19 90-40	COVER	1		
8	575 77 84-01	DECAL	2		
9	542 16 66-24	BOLT	10		
10	542 20 66-80	LATCH SIDE SHIELD	1		
11	504 83 74-01	RADIATOR	1		
12	542 20 66-66	LATCH SIDE PANEL	1		
13	542 02 05-87	SCREW	2		
14	510 40 62-01	COVER	1		

E1 FS9900D T3A Fuel Cooler

See Diag E



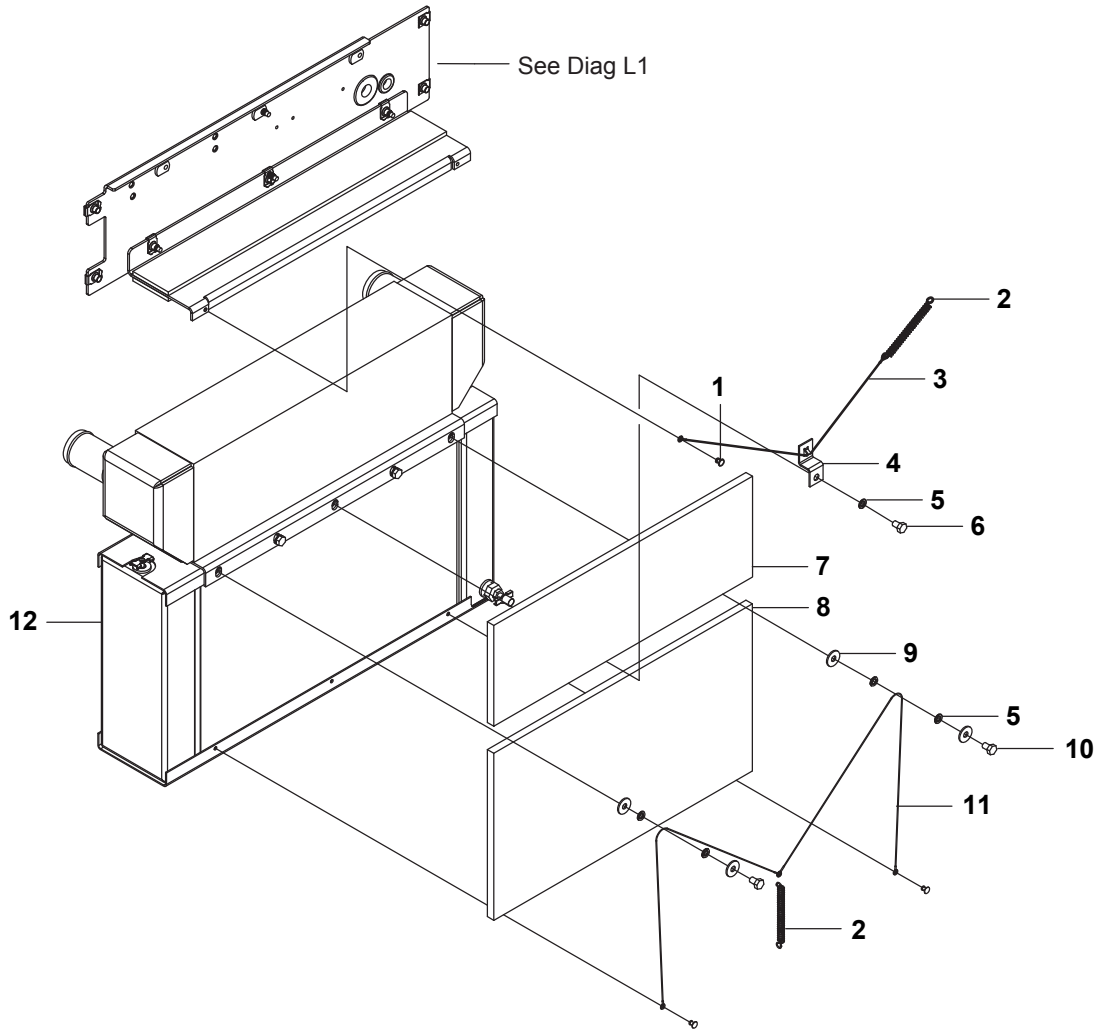
FS9900D T3A FUEL COOLER

Pos.	Part No.	Description	Quantity	Notes	New Part
1	525 55 07-01	FITTING	1		
2	525 55 04-01	FITTING	1		
3	542 13 96-49	ADAPTER	1		
4	542 16 07-04	VALVE	1		
5	522 60 45-01	CLIP	6		
6	522 59 11-01	HANDLE ASSY	1		
7	522 60 79-02	FILTER	1		
8	522 60 80-01	MOUNT	1		
9	735 11 64-01	SPRING WASHER	2		
10	542 16 02-44	SCREW	2		
11	732 25 16-01	HEXAGON LOCKING NUT	2		

E2 FS9900D T3A Radiator Filters



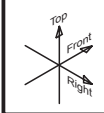
See Diag E1



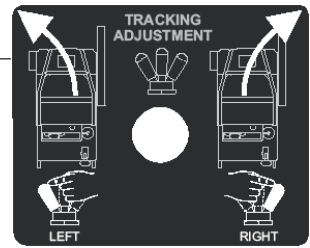
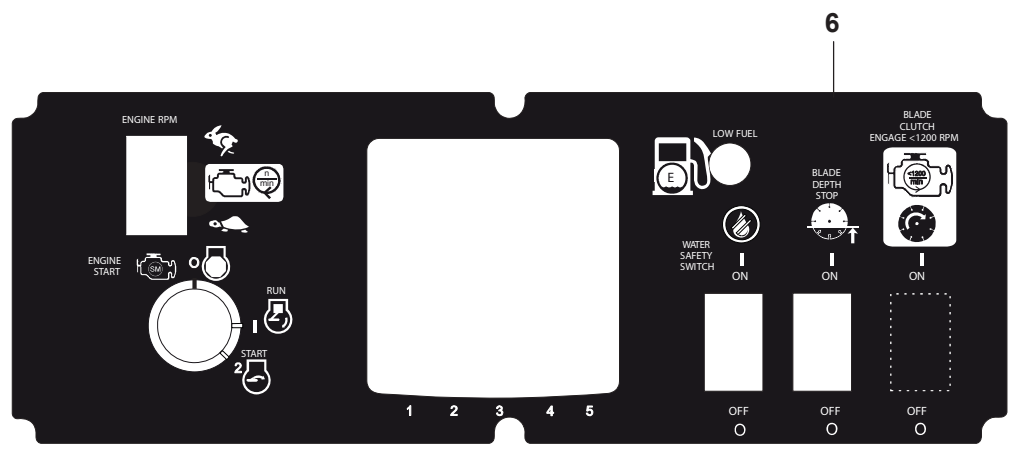
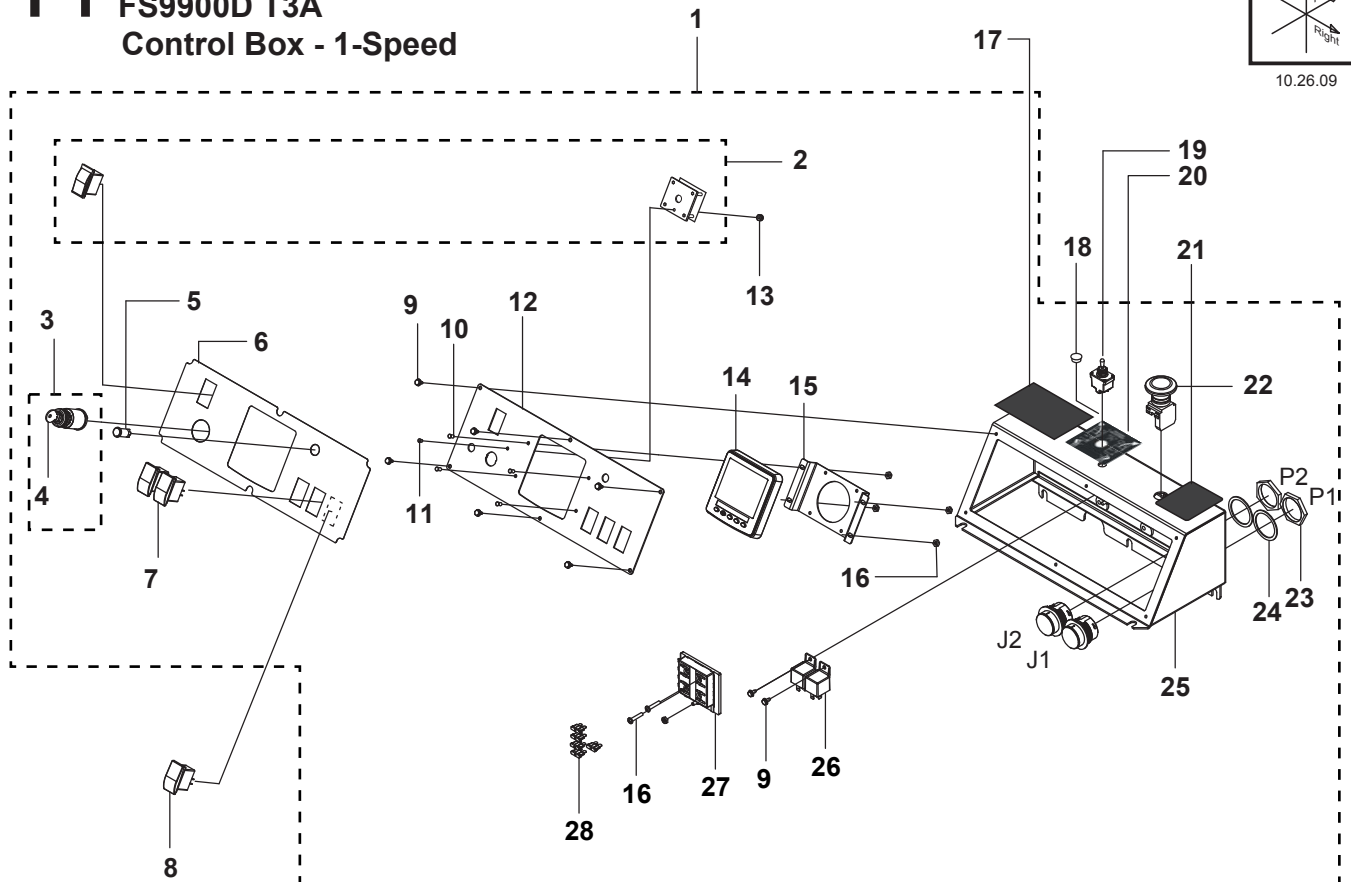
FS9900D T3A RADIATOR FILTERS

Pos.	Part No.	Description	Quantity	Notes	New Part
1	541 20 48-26	RIVET	2		
2	542 04 03-30	SPRING	2		
3	542 20 62-01	LANYARD. FILTER RETAINER	1		
4	505 12 99-10	BRACKET	1		
5	735 11 64-01	SPRING WASHER	1		
6	542 16 02-44	SCREW	1		
7	505 12 99-09	FILTER	1		
8	505 12 99-08	FILTER	1		
9	734 11 65-41	WASHER	4		
10	539 97 69-34	SCREW	2		
11	542 19 96-77	SEIL	2		
12	504 84 33-02	RADIATOR	1		

F1 FS9900D T3A Control Box - 1-Speed



10.26.09



ENGINE SPEED / BLADE SIZE					
B BLADE SIZE	FLANGE SIZE	BLADE SHAFT		JD ENGINE SPEED	
		LOADED RPM	PULLEY SIZE	RATED RPM	PULLEY SIZE
18"	5"	2400	4.12"	2800	4.75"
26"	5"	1800	4.75"	2800	4.12"
30"	5"	1600	4.75"	2800	3.65"
36"	6"	1350	5.60"	2800	3.65"
48"	8"	1080	6.9"	2800	3.65"
60"	10"	810	9.3"	2800	3.65"

16 CE					
450 mm	127 mm	105 mm	2400	400 - 450 mm	121 mm
650 mm	127 mm	120 mm	1800	600 - 650 mm	105 mm
750 mm	127 mm	120 mm	1600	700 - 750 mm	93 mm
900 mm	152 mm	142 mm	1350	750 - 900 mm	93 mm
1200 mm	203 mm	175 mm	1080	1000 - 1200 mm	93 mm
1500 mm	250 mm	236 mm	810	1250 - 1500 mm	93 mm

Covered By One Or More
Of The Following
U.S. Patents:

4333665, 4333666, 4747 604,
1327555, 782 308, 4368098,
4966004, 527 1946, 5381 730,
5477844, 5630854, 5690537,
5743247, 5809955, 52 1047 8
D337037, D346104, D369816,
D371 375, D373094

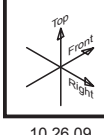
Other U.S. And Foreign
Patents Pending

Page F1**FS9900D T3A CONTROL BOX 1-SPEED**

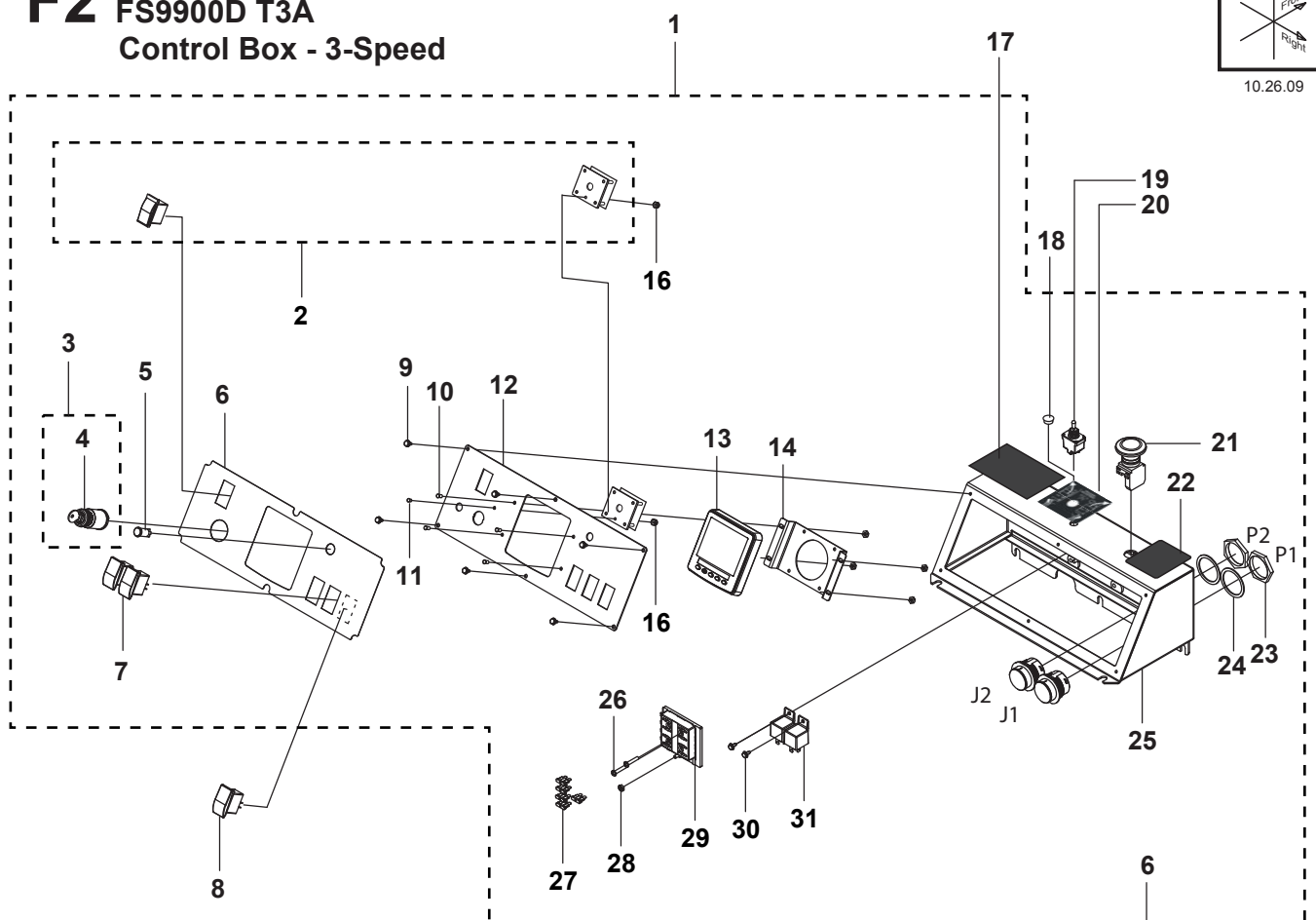
Pos.	Part No.	Description	Quantity	Notes	New Part
1	574 74 41-01	CONTROL	1	Incl. 2 - 16, 22 - 28	
2	523 11 95-01	THROTTLE CONTROL	1		
3	510 01 67-01	KEY SWITCH	1	Incl. 4	
4	510 01 67-05	KEY SWITCH	1		
5	542 20 64-17	LED LIGHT RED	1		
6	521 92 15-01	DECAL	1		
7	542 18 22-19	ROCKER SWITCH	2		
8	542 18 22-20	ROCKER SWITCH	1	CL option	
9	542 02 05-87	SCREW	8		
10	525 30 57-01	STUDS	4		
11	525 30 57-02	STUDS	1		
12	506 12 62-04	CONTROL	1		
13	541 20 49-71	NUT	6		
14	510 01 66-02	DISPLAY	1		
15	510 01 41-01	BRACKET	1		
16	541 20 52-53	NUT	5		
17	525 60 60-02	DECAL	1		
17	542 19 95-86	DECAL	1	CE	
18	539 30 01-11	PLUG	1		
19	542 18 22-62	SWITCH ASSY ETRAC	1	E-trac option	
20	542 19 94-33	DECAL	1	E-trac option	
21	542 18 04-27	DECAL	1		
22	542 17 63-83	SWITCH	1		
23	542 20 62-92	NUT	2		
24	542 20 62-93	WASHER	2		
25	506 12 62-02	CONTROL	1		
26	542 16 67-08	REALY	2		
27	542 16 66-22	FUSE BLOCK	1		
28	542 16 68-57	FUSE	5		

F2 FS9900D T3A

Control Box - 3-Speed



10.26.09



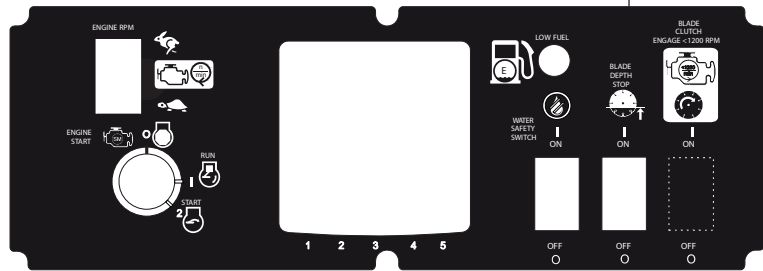
18

GEARBOX RANGE / BLADE RPM (20-36, FS 6600 / FS 8400) P/N 504 11 98-02						
FLANGE SIZE	BLADE SIZE (Maximum)	GEARBOX RANGE		BLADE RPM	ENGINE RPM	
		GEAR	PULLEY	RPM	PULLEY	
8.00" 152 mm	27" 500 mm	3	4.12" 105 mm	2300	4.76" 121 mm	3000 (Maximum)
	30" 760 mm	2		1620		2800 (Loaded)
	36" / 900 mm	1		1360		

GEARBOX RANGE / BLADE RPM (28-42, FS 6600 / FS 8400) P/N 504 11 98-02						
FLANGE SIZE	BLADE SIZE (Maximum)	GEARBOX RANGE		BLADE RPM	ENGINE RPM	
		GEAR	PULLEY	RPM	PULLEY	
7.00" 178 mm	28" 660 mm	3	4.12" 105 mm	1900	5.60" 142 mm	3000 (Maximum)
	36" 900 mm	2		1380		2800 (Loaded)
	42" / 1000 mm	1		1180		

GEARBOX RANGE / BLADE RPM (30-48, FS 8400) P/N 504 11 98-02						
FLANGE SIZE	BLADE SIZE (Maximum)	GEARBOX RANGE		BLADE RPM	ENGINE RPM	
		GEAR	PULLEY	RPM	PULLEY	
8.00" 203 mm	30" 762 mm	3	4.12" 105 mm	1600	6.90" 175 mm	3000 (Maximum)
	42" 1066 mm	2		1150		2800 (Loaded)
	48" / 1219 mm	1		980		

GEARBOX RANGE / BLADE RPM (30-60, FS 8400) P/N 504 11 98-11						
FLANGE SIZE	BLADE SIZE (Maximum)	GEARBOX RANGE		BLADE RPM	ENGINE RPM	
		GEAR	PULLEY	RPM	PULLEY	
10.00" 254 mm	36" 900 mm	3	4.75" 121 mm	1360	8.30" 208 mm	2800 (RATED)
	48" 1200 mm	2		960		
	60" / 1500 mm	1		820		

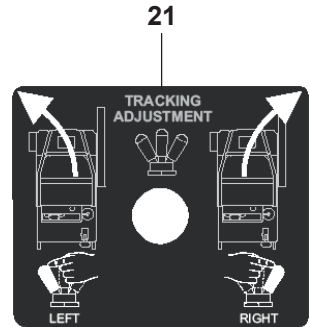


Covered By One Or More
Of The Following
U.S. Patents:

4353685, 4335686, 4741614,
1827555, 921308, 4968095,
4986604, 921946, 0381730,
5477844, 5630854, 0801934,
5743247, 5809855, 5810448,
D337037, D345104, D369818,
D371375, D373034

Other U.S. And Foreign
Patents Pending

22



32

WARNING

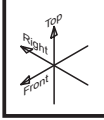
Read Operation Manual. Match Gearbox Speed, Blade & Flange Size. Eye Injury Or Death Could Occur! Stop Engine To Shift. Eye Gearbox May Be Damaged.

- 1 Lift Detent Lock (Twist To Hold)
- 2 Shift Lever To Select Gear (N, 1, 2, Or 3)
- 3 Lock

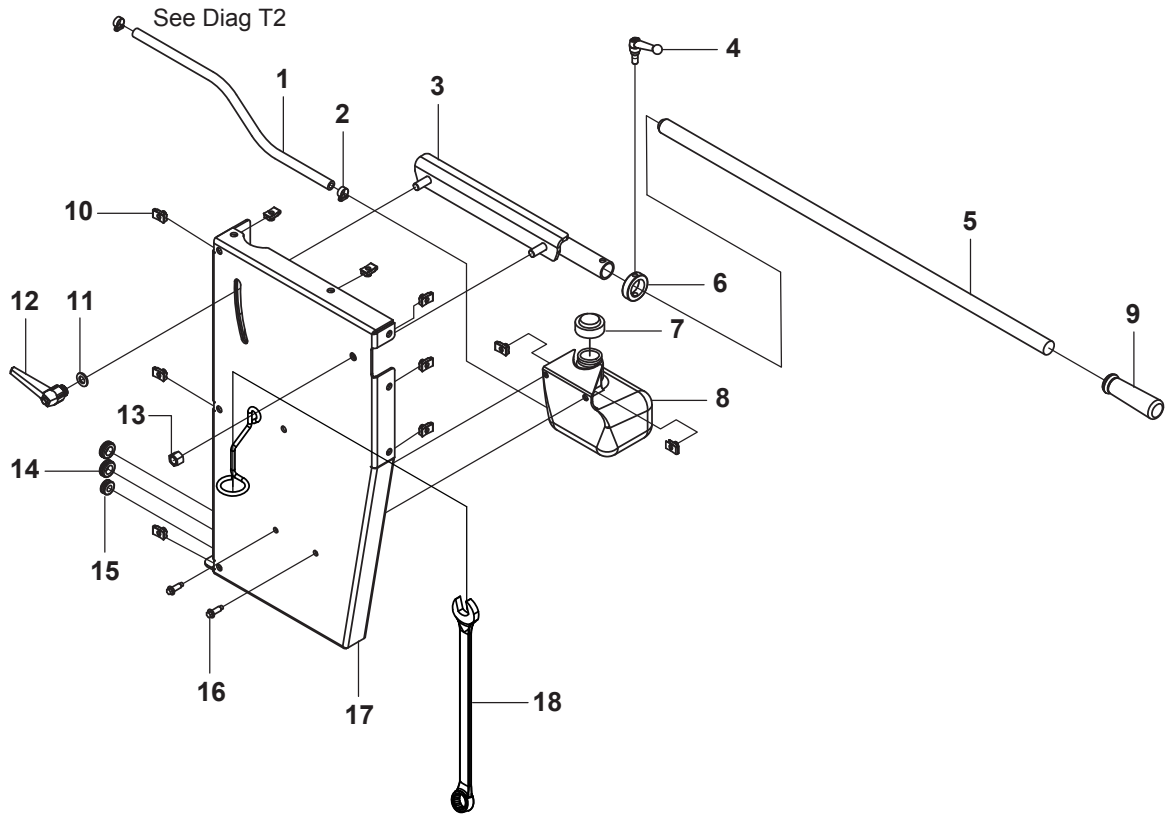
Page F2
FS9900D T3A

Pos.	Part No.	Description	Quantity	Notes	New Part
1	574 74 41-01	CONTROL	1	Incl.	
2	523 11 95-01	THROTTLE CONTROL	1		
3	510 01 67-01	KEY SWITCH	1	Incl. 4	
4	510 01 67-05	KEY SWITCH	1		
5	542 20 64-17	LEDLIGHT RED	1		
6	521 92 15-01	DECAL	1		
7	542 18 22-19	ROCHER SWITCH	2		
8	542 18 22-20	TACHOMETER	1	CL Optional	
9	542 02 05-87	SCREW	8		
10	525 30 57-01	STUDS	4		
11	525 30 57-02	STUDS	1		
12	506 12 62-04	CONTROL	1		
13	510 01 66-02	DISPLAY	1		
14	510 01 14-01	CRANKCASE	1		
15	541 20 52-53	NUT	5		
16	541 20 49-71	NUT	1		
17	522 62 77-04	DECAL	1	Flange Dia 6", 152mm	
17	522 62 77-05	DECAL	1	Flange Dia 7", 178mm	
17	522 62 77-06	DECAL	1	Flange Dia 8", 203mm	
17	522 62 77-07	DECAL	1	Flange Dia 10", 254mm	
18	539 30 01-11	PLUG	1		
19	542 18 22-62	SWITCH ASSY	1	E-trac option	
20	542 19 94-33	DECAL	1	E-trac option	
21	542 17 63-83	SWITCH	1		
22	542 18 04-27	DECAL	1		
23	542 20 62-92	NUT	2		
24	542 20 62-93	WASHER	2		
25	506 12 62-02	CONTROL	1		
26	542 16 68-78	SCREW	2		
27	542 16 68-57	FUSE	5		
28	542 16 66-22	FUSE BLOCK	1		
29	542 16 67-08	RELAY	2		
30	504 55 97-01	DECAL	1		

G FS9900D T3A Cowling Side - L.H.



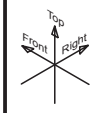
See Diag E1



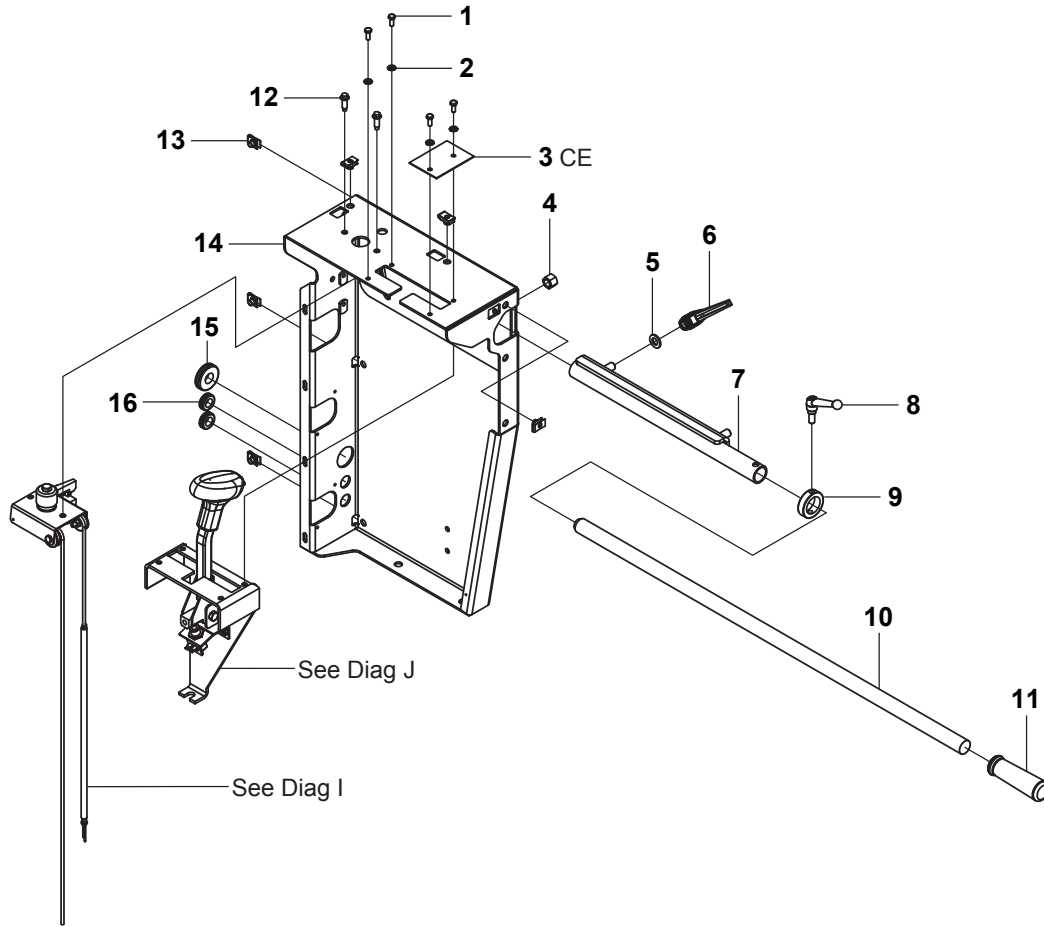
Page G**FS9900D T3A COWLING SIDE LH**

Pos.	Part No.	Description	Quantity	Notes	New Part
1	542 19 94-78	HOSE	1		
2	542 02 00-49	HOSE CLAMP	2		
3	542 19 90-18	CONTRACTOR	1		
4	504 86 17-01	LEVER	1		
5	539 30 03-40	HANDLE BAR	1		
6	542 16 64-91	MANSCHETTE	1		
7	521 93 78-01	CAP	1		
8	542 16 64-13	TANK	1		
9	542 13 95-68	GRIP	1		
10	542 16 75-55	NUT	10		
11	734 11 78-01	WASHER	1		
12	542 17 46-79	ADJUSTABLE LEVER	1		
13	539 10 13-31	NUT	1		
14	542 16 32-45	GROMMET	2		
15	542 18 13-61	GROMMET	1		
16	542 19 90-53	BODY BOLT	2		
17	505 56 66-02	SIDE PANEL	1		
18	504 62 64-03	WRENCH	1		

H FS990D T3A Cowling Side - R.H.



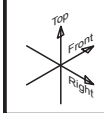
See Diag E1



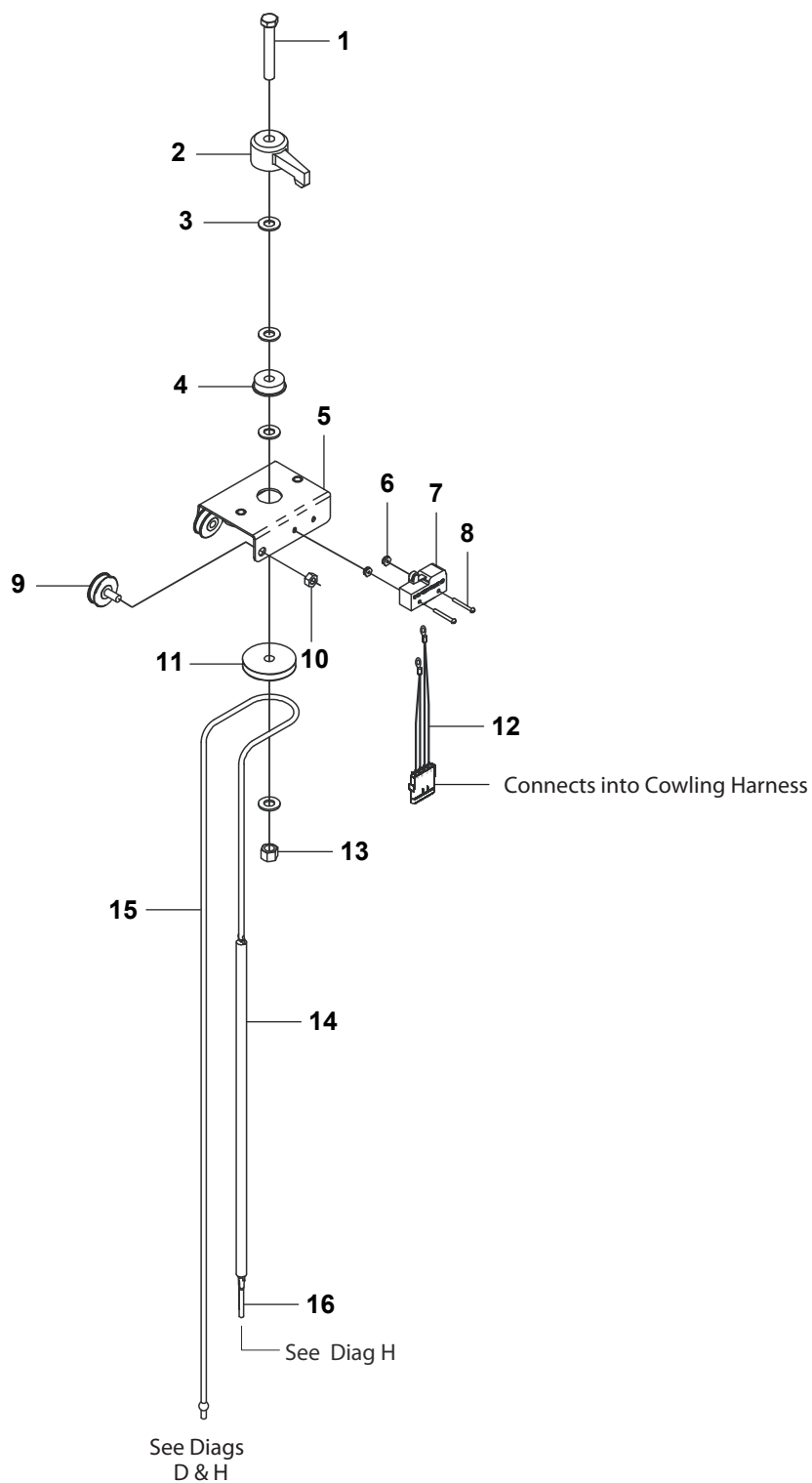
FS9900D T3A COWLING SIDE RH

Pos.	Part No.	Description	Quantity	Notes	New Part
1	725 23 68-71	SCREW	4		
2	542 16 36-89	LOCK WASHER	4		
3	542 19 97-49	PLATE	1	CE	
4	539 10 13-31	NUT	1		
5	734 11 78-01	WASHER	1		
6	542 17 46-79	ADJUSTABLE LEVER	1		
7	542 19 90-17	CONTRACTOR	1		
8	504 86 17-01	LEVER	1		
9	542 16 64-91	MANSCHETTE	1		
10	539 30 03-40	HANDLE BAR	1		
11	542 13 95-68	GRIP	1		
12	542 19 90-53	BODY BOLT	2		
13	542 16 75-55	NUT	6		
14	505 56 66-06	SIDE PANEL	1		
15	542 16 36-72	DISTANCE RING	1		
16	542 16 32-45	GROMMET	2		

FS9900D T3A Depth Indicator



See Diag H

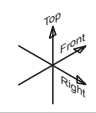


Page 1

FS9900D T3A DEPT INDICATOR

Pos.	Part No.	Description	Quantity	Notes	New Part
1	539 99 06-37	SCREW	1		
2	504 57 16-01	POINTER	1		
3	539 99 01-22	WASHER	4		
4	541 20 05-33	BEARING	1		
5	542 19 92-02	BRACKET	1		
6	539 30 13-66	NUT	2		
7	539 30 11-53	SWITCH	1		
8	539 30 13-67	SCREW	2		
9	542 03 08-22	WHEEL SUR/BEARIN	2		
10	542 03 23-66	NUT	2		
11	541 20 20-61	PULLEY	1		
12	542 18 22-28	HARNESS CPL	1		
13	539 97 69-79	NUT	1		
14	542 20 62-51	SPRING	1		
15	542 19 18-94	CABLE ASSY DEPTH IND	1		
16	539 30 02-68	PIN, COTTER	1		

J FS990D T3A Speed Control

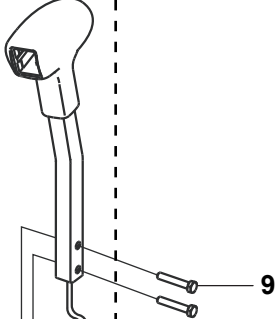
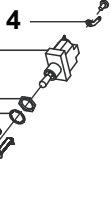


See Diag H

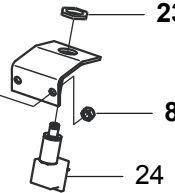
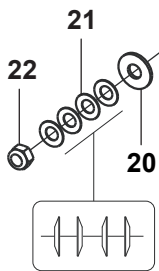
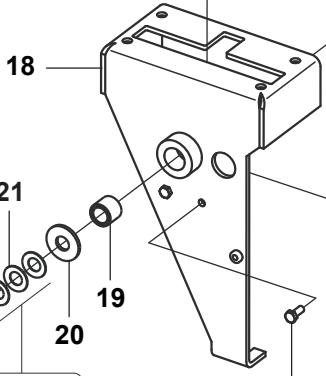
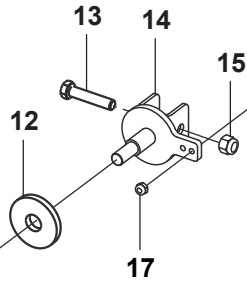
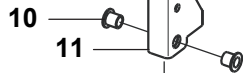
1

2

3

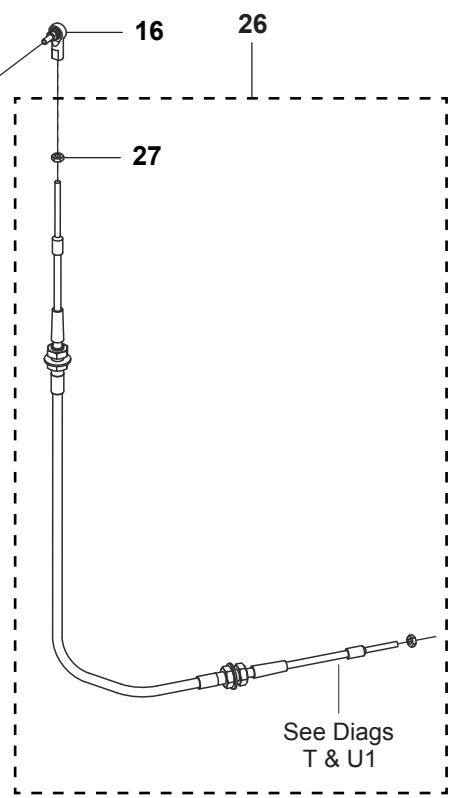


Connects into
Cowling Harness
525310501



Connects to
Cowling Harness
525310501

25

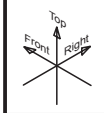


See Diags
T & U1

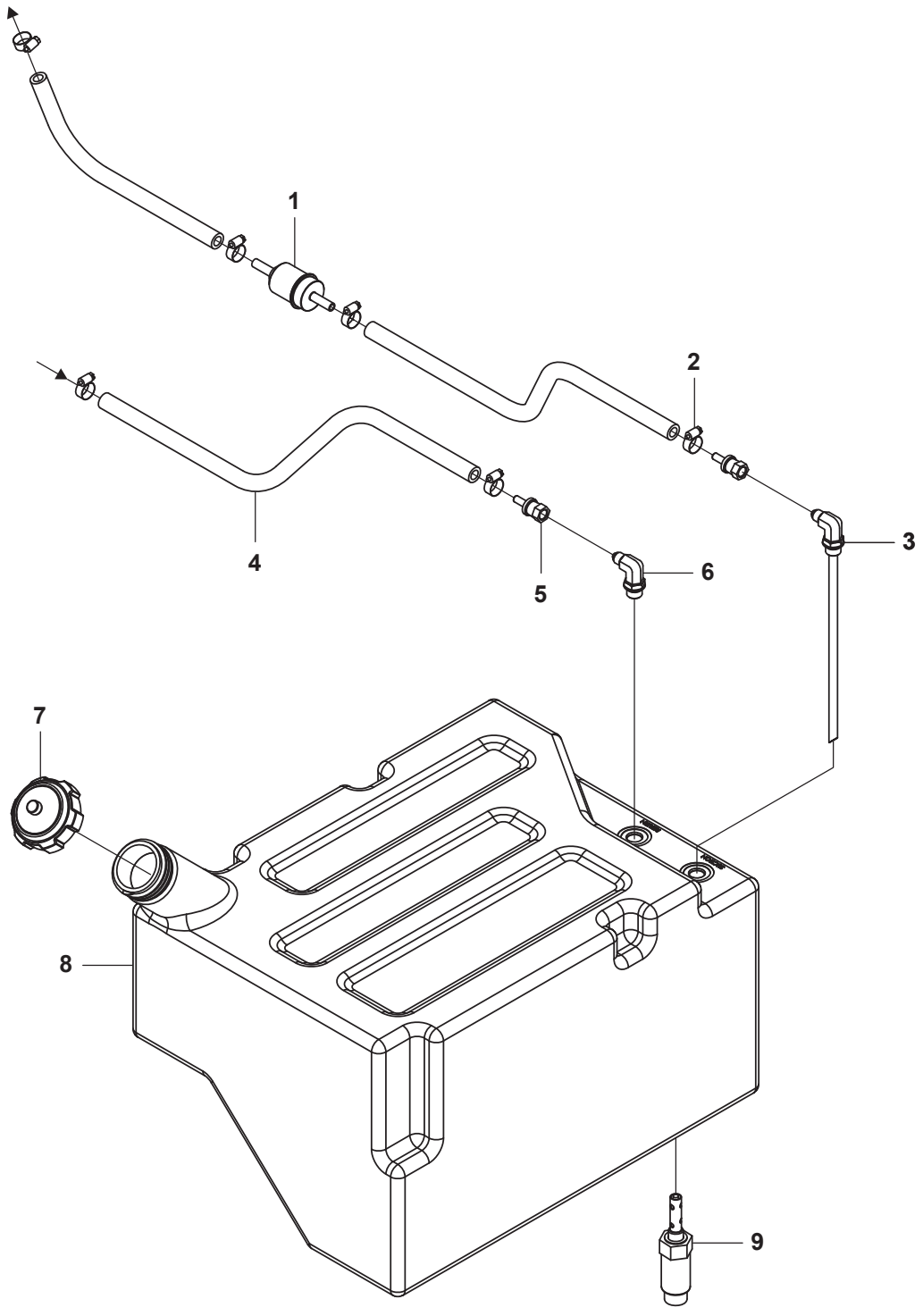
Page J**FS9900D T3A SPEED CONTROL**

Pos.	Part No.	Description	Quantity	Notes	New Part
1	542 19 94-51	SPEED GOVERNOR	1	Incl. 2 - 26	
2	542 19 92-22	HANDLE & SWITCH ASSY	1	Incl. 3	
3	542 20 53-09	SWITCH	1	Incl. 4 - 7	
4	542 18 20-99	CONNECTION CLAMP	3		
5	542 18 21-02	SWITCH ASSY	1		
6	542 20 53-08	SWITCH BLOCK	1		
7	542 18 21-46	BOLT	1		
8	732 25 16-01	HEXAGON LOCKING NUT	4		
9	725 23 76-71	SCREW	2		
10	542 18 30-01	BARREL BUSHING	2		
11	542 17 69-98	BRACKET	1		
12	542 18 10-39	WASHER	1		
13	542 18 31-54	CAP SCREW	1		
14	542 17 69-96	ARM	1		
15	539 97 69-79	NUT	1		
16	542 16 64-66	ROD END MALE	1		
17	541 20 52-53	NUT	1		
18	542 17 69-94	CONTROLARM	1		
19	542 16 31-86	BUSHING	1		
20	542 02 07-45	RING	1		
21	542 18 31-24	WASHER	4		
22	542 13 97-42	NUT	1		
23	542 18 31-37	NEUTRAL SAFETY SWITCH	1		
24	725 23 68-71	SCREW	1		
25	542 19 91-83	CABLE	1	Incl. 26	
26	542 13 66-85	NUT	1		

K FS9900D T3A Fuel Tank



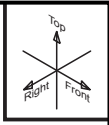
See Diag E



FS9900D T3A FUEL TANK

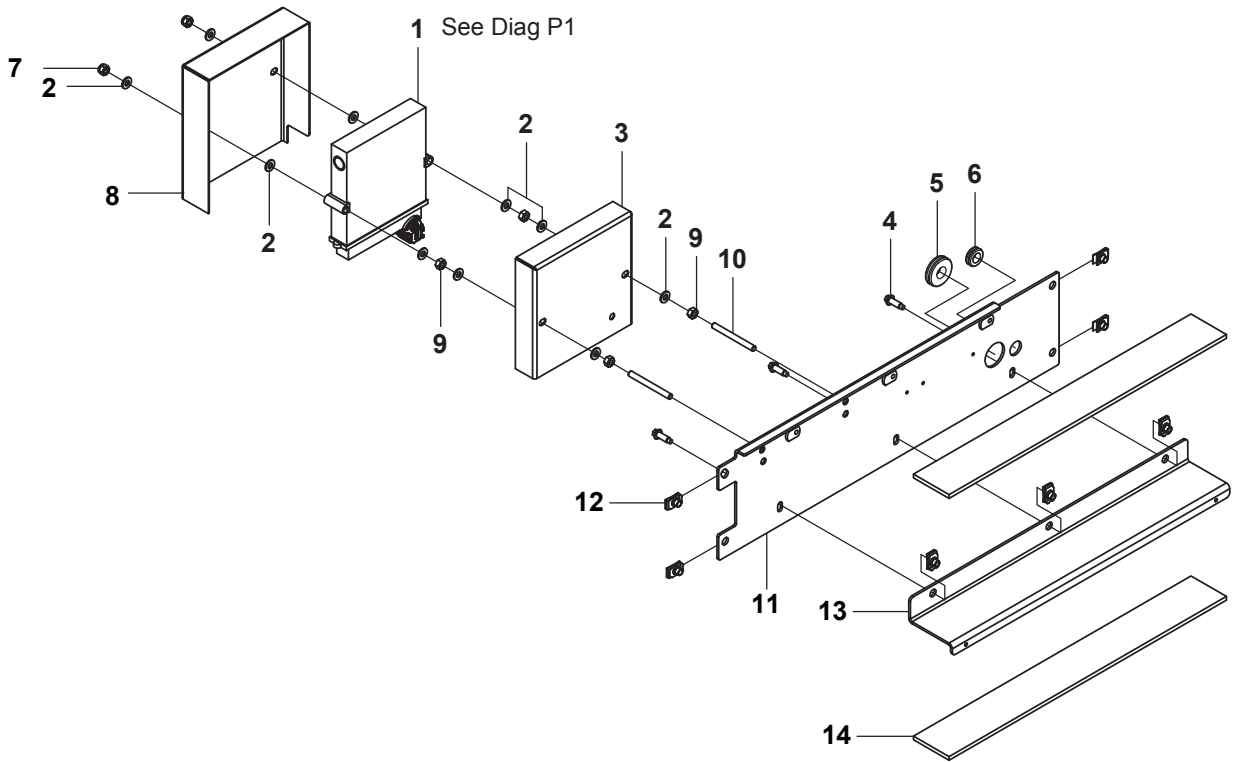
Pos.	Part No.	Description	Quantity	Notes	New Part
1	539 30 00-69	FILTER, DIESEL FUEL	1		
2	542 02 00-49	HOSE CLAMP	6		
3	542 19 92-10	PIPE	1		
4	542 19 94-52	HOSE	2		
5	542 19 92-36	CONNECTION	2		
6	542 19 92-35	CONNECTION	1		
7	542 18 31-06	GAS CAP	1		
8	516 05 55-01	FUEL TANK	1		
9	516 03 76-01	SENSOR	1		

L1 FS9900D T3A Cowling - Front



10.27.09

See Diag E



FS9900D T3A COWLING FRONT

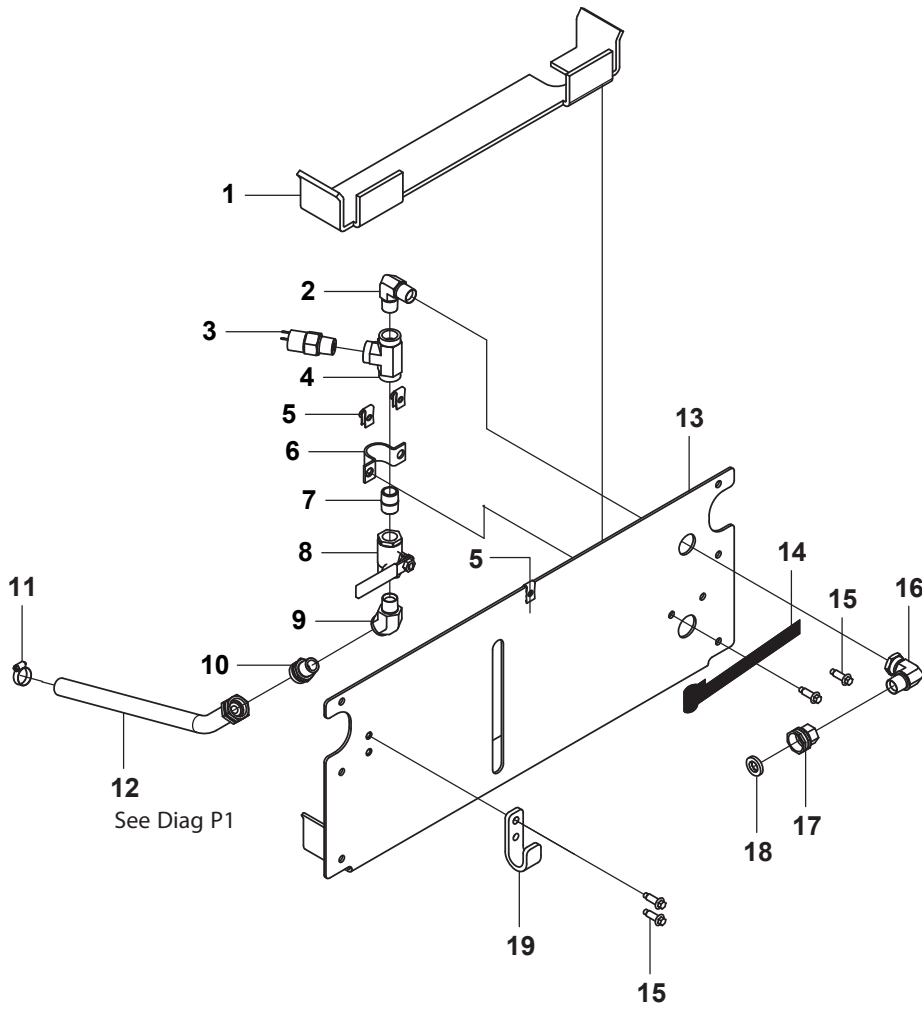
Pos.	Part No.	Description	Quantity	Notes	New Part
1	521 93 82-04	ELECTRONIC CONTROL	1	83 HP	
2	734 11 63-01	WASHER	10		
3	506 74 80-03	COVER	1		
4	542 19 90-53	BODY BOLT	3		
5	542 16 36-72	DISTANCE RING	1		
6	542 16 32-45	GROMMET	1		
7	732 25 18-01	HEXAGON LOCKING NUT	2		
8	506 74 80-01	COVER	1		
9	731 23 18-01	HEXAGON NUT	4		
10	521 94 44-01	BOLT	2		
11	505 12 99-01	COWL	1		
12	542 16 75-55	NUT	7		
13	505 12 99-12	COWL	1		
14	542 19 90-21	ISOLATOR	2		

L2 FS990D T3A Cowling - Rear



10.25.09

See Diag E



12
See Diag P1

14

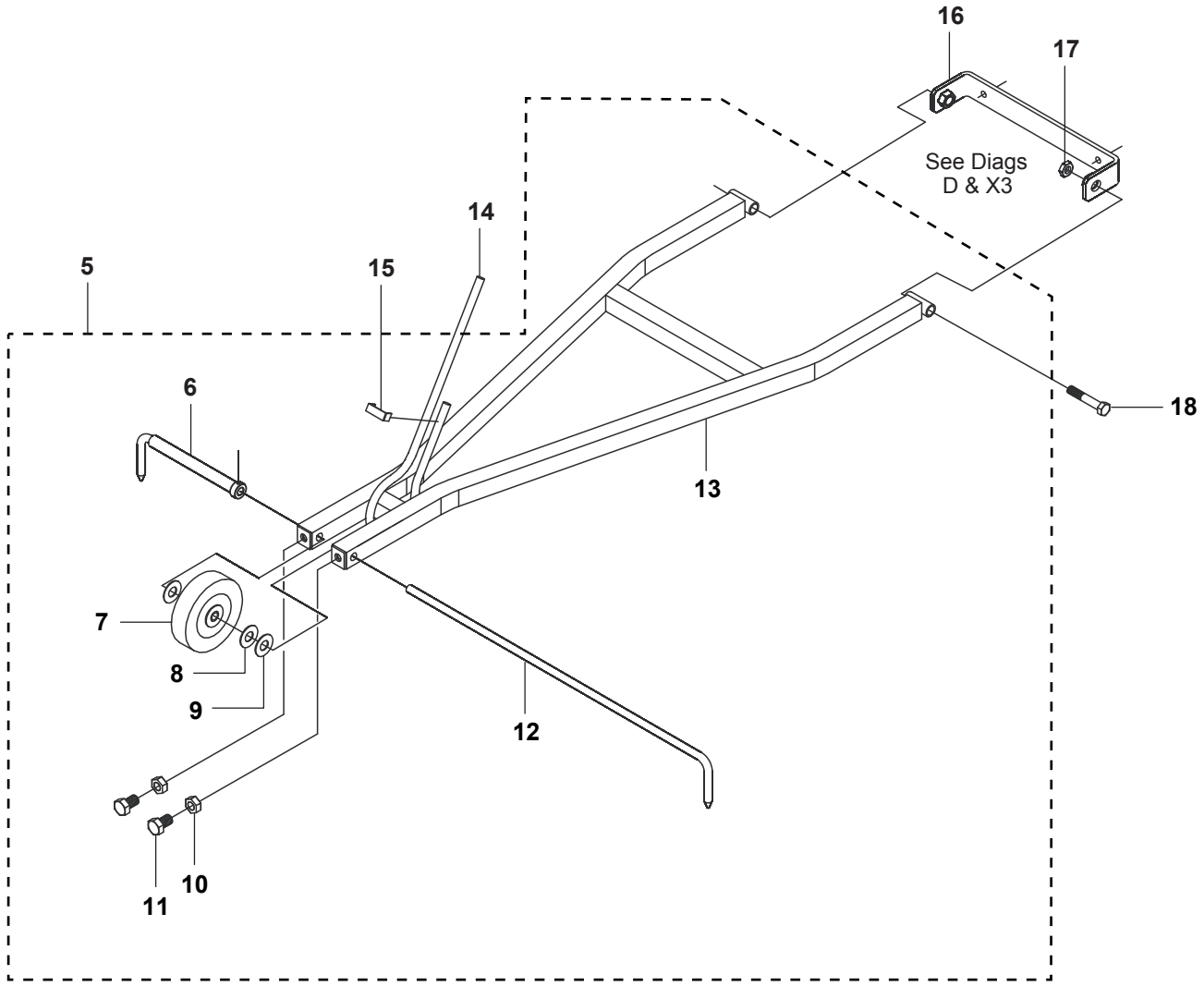
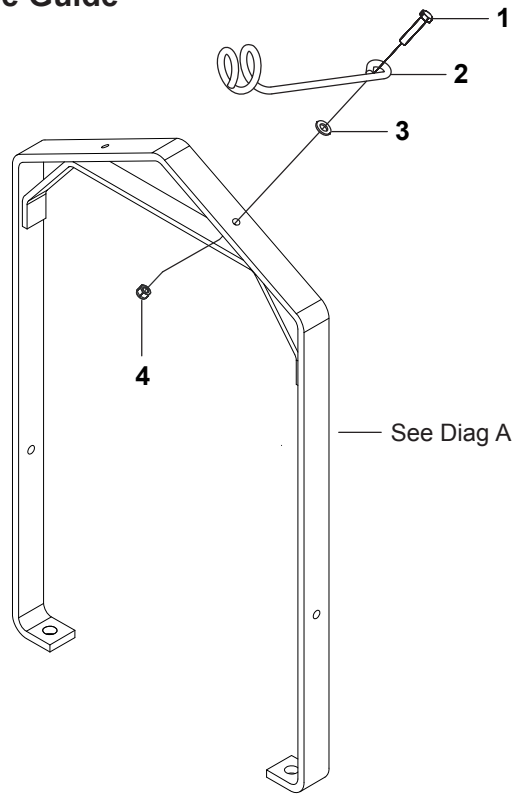
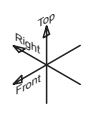


FS9900D T3A COWLING REAR

Pos.	Part No.	Description	Quantity	Notes	New Part
1	542 19 90-39	RUBBER INSULATOR	1		
2	542 19 91-25	HYDRAULIC FIT	1		
3	542 17 87-24	SWITCH	1		
4	542 19 91-26	HYDRAULIC FIT	1		
5	542 16 75-55	NUT	3		
6	542 19 92-47	BRACKET	1		
7	539 30 02-43	CLOSE NIPPLE	1		
8	542 04 02-61	WATER VALVE	1		
9	542 19 91-27	HYDRAULIC FIT	1		
10	541 20 48-55	SLEEVE	1		
11	539 30 00-11	HOSE CLAMP	1		
12	542 19 61-73	WATER HOSE	1		
13	541 20 84-21	COWLING	1		
14	542 19 07-33	DECAL	1		
15	542 19 90-53	BODY BOLT	1		
16	542 19 91-24	HYDRAULIC FIT	1		
17	539 30 02-69	HYDRAULIC FIT	1		
18	542 04 56-40	RING	1		
19	541 20 84-27	HOSE HANGER	1		

M FS9900D T3A

Front Pointer & Rope Guide

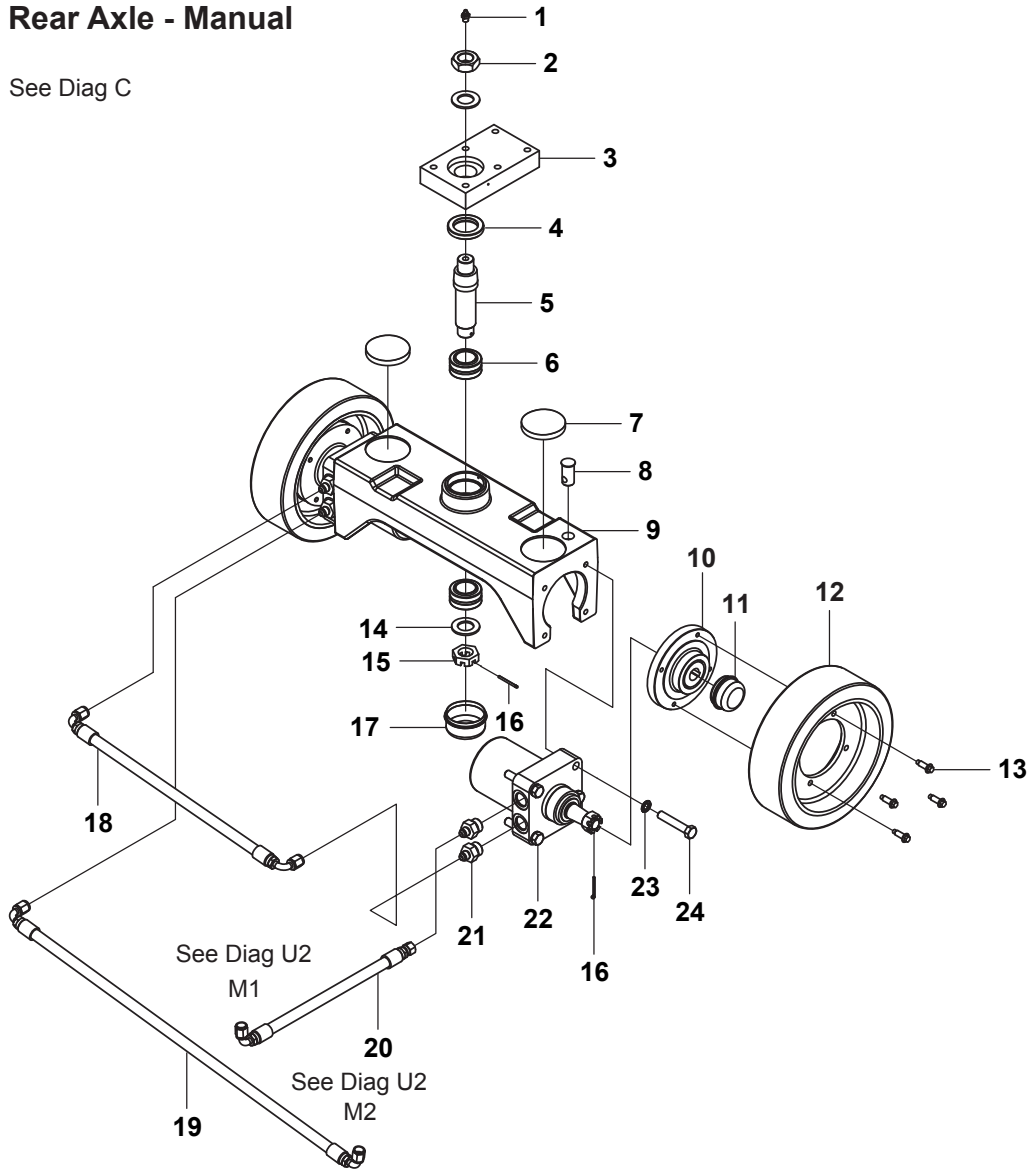
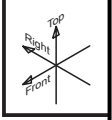


Page M**FS9900D T3A FRONG POINTER & ROPE GUIDE**

Pos.	Part No.	Description	Quantity	Notes	New Part
1	725 24 99-71	SCREW	1		
2	505 18 91-01	BRACKET	1		
3	735 11 73-01	SPRING WASHER	1		
4	732 25 20-01	HEXAGON LOCKING NUT	1		
5	542 18 33-96	EQUIPMENT RACK	1	Incl. 6 - 13	
6	542 20 51-91	EXTENSION POINTER	1		
7	542 16 35-82	WHEEL	1		
8	542 04 64-25	SPRING WASHER	1		
9	539 99 02-50	WASHER	2		
10	539 99 01-30	NUT	2		
11	542 02 03-77	SCREW	2		
12	542 16 01-96	POINTER ROD	1		
13	542 18 23-03	FRONT POINTER	1		
15	542 02 08-90	CORDE	10"		
16	541 20 04-67	CLAMP POINTER ROPE	2		
16	502 28 75-01	BRACKET	1		
17	542 18 11-09	NUT	2		
18	541 20 53-01	SCREW	2		

N1 FS9900D T3A Rear Axle - Manual

See Diag C

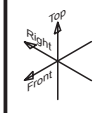


FS9900D T3A REAR AXLE MANUAL

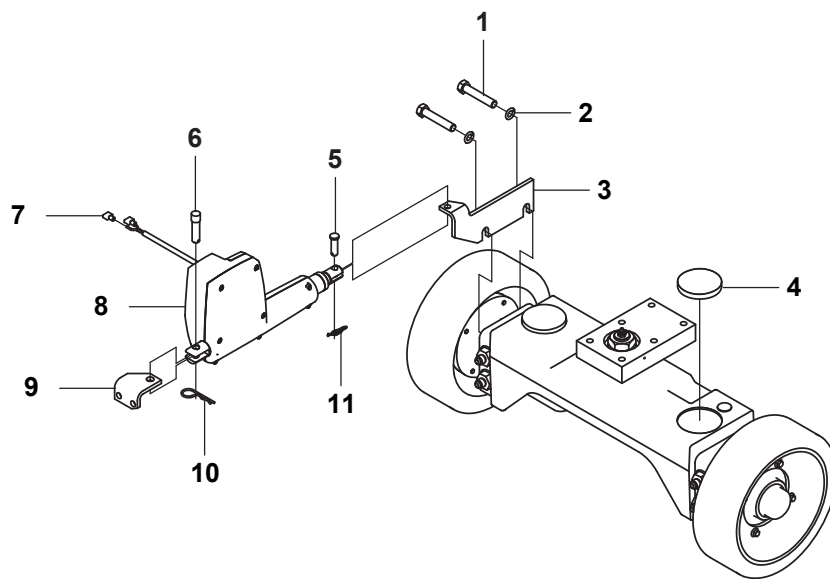
Pos.	Part No.	Description	Quantity	Notes	New Part
1	541 20 46-82	GREASE NIPPLE	1		
2	541 20 48-33	NUT	1		
3	505 48 20-01	BLOCK	1		
4	510 01 44-01	SEAL	1		
5	520 28 17-01	SHAFT	1		
6	520 28 18-01	BEARING	2		
7	542 19 96-33	DISC SLIDER	2		
8	542 19 89-65	TURNBUCKLE	1		
9	505 43 92-01	REAR AXLE	1		
10	542 19 88-43	BEARING	2		
11	539 10 25-35	COVER	2		
12	542 19 88-42	REAR WHEEL	2		
13	542 19 90-53	BODY BOLT	8		
14	542 19 94-27	SPRING	2		
15	542 19 94-26	NUT	1		
16	542 02 06-16	PIN	2		
17	510 01 35-01	HUB	1		
18	542 19 93-53	HOSE	1		
19	542 19 93-54	HOSE	1		
20	542 19 93-55	HOSE	1		
21	541 20 49-91	HYDRAULIC FIT	4		
22	542 19 88-78	WHEEL MOTOR	2		
23	735 11 78-01	WASHER	6		
24	725 25 45-71	SCREW	6		

N2 FS9900D T3A

Rear Axle - E-Track



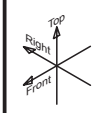
See Diag C



FS9900D T3A REAR AXLE E-TRACK

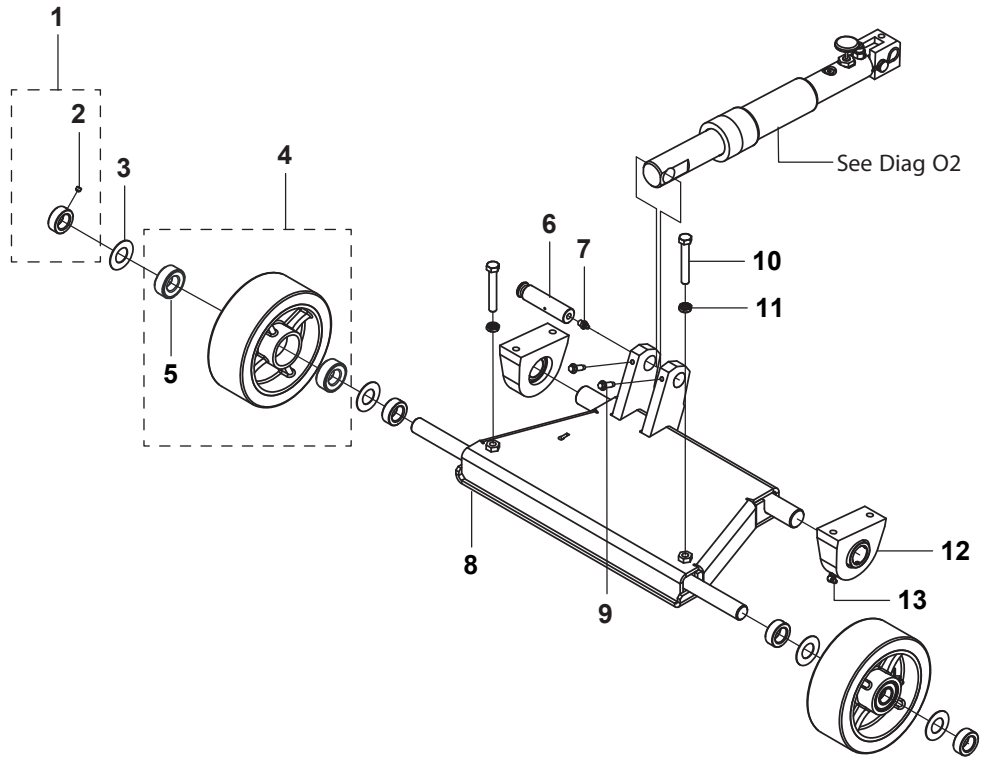
Pos.	Part No.	Description	Quantity	Notes	New Part
1	725 25 45-71	SCREW	2		
2	735 11 78-01	WASHER	2		
3	542 19 95-12	LINK	1		
4	542 19 96-33	DISC SLIDER	2		
5	542 19 92-41	BOLT	1		
6	542 19 92-39	BOLT	1		
7	542 16 43-70	CABLE SHOE	2		
8	506 00 27-01	ACTUATOR	1		
9	542 19 94-75	BRACKET	1		
10	542 16 70-35	FUSE	1		
11	542 17 72-39	PIN	1		

O1 FS990D T3A Front Axle



06.03.09

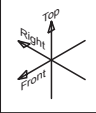
See Diag D



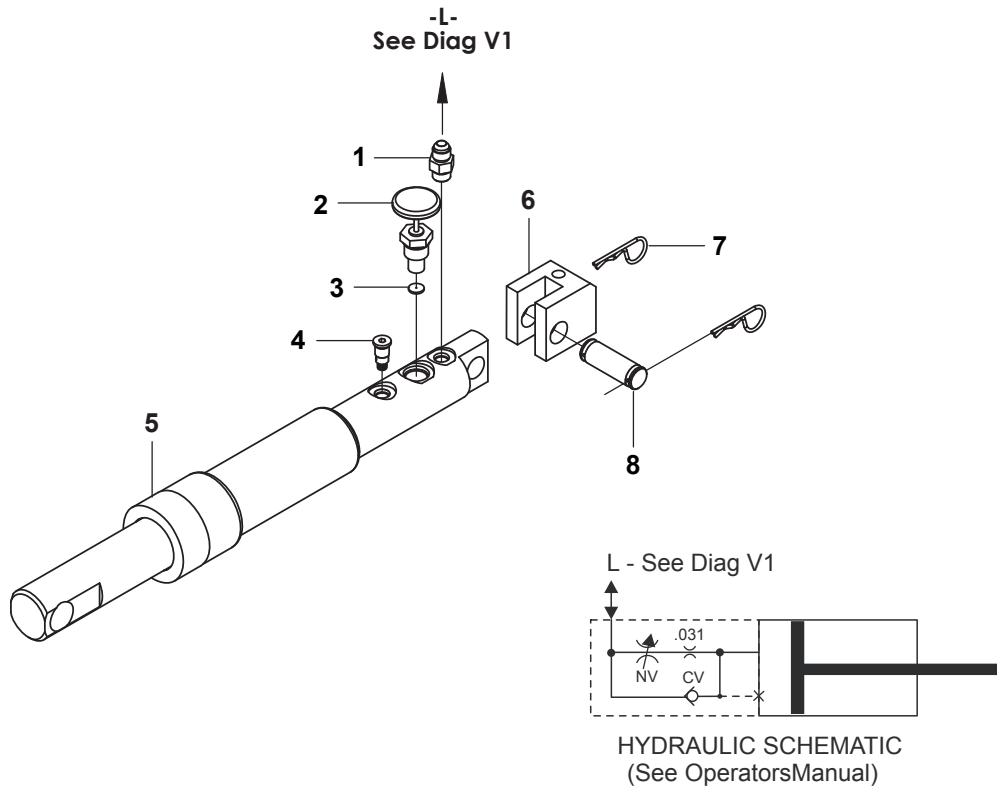
Page O1**FS9900D T3A Front AXLE**

Pos.	Part No.	Description	Quantity	Notes	New Part
1	539 30 01-23	BEARING	4	Incl. 2	
2	542 02 05-51	SCREW	4		
3	542 04 64-02	WASHER	4		
4	542 19 17-70	WHEEL ASSY	2	18" - 42", Incl. 5	
4	542 19 17-71	WHEEL ASSY	2	48" - 60", Incl. 5	
5	542 19 17-14	BALL BEARING	2		
6	542 19 89-36	BOLT	1		
7	542 16 42-97	GREASE FITTING	1		
8	541 20 84-37	FRONT AXLE	1		
9	542 19 90-53	BODY BOLT	2		
10	725 25 48-71	SCREW	2		
11	731 23 22-01	HEXAGON NUT	2		
12	506 49 29-01	BEARING	2		
13	542 04 11-75	GREASE FITTING	2		

O2 FS9900D T3A Hydraulic Lift Cylinder



See Diag O1



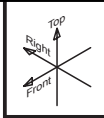
FS9900D T3A HYDRAULIC LIFT CYLINDER

Pos.	Part No.	Description	Quantity	Notes	New Part
1	541 20 50-11	HYDRAULIC FIT	1		
2	542 19 89-16	NEEDLE VALVE	2		
3	542 18 12-06	ACTUATORS	3		
4	542 19 97-58	CONTROL VALVE	4		
5	510 42 30-01	CYLINDER	1		
6	505 44 51-01	BLOCK	1		
7	542 16 70-35	FUSE	2		
8	542 19 89-32	BOLT	1		

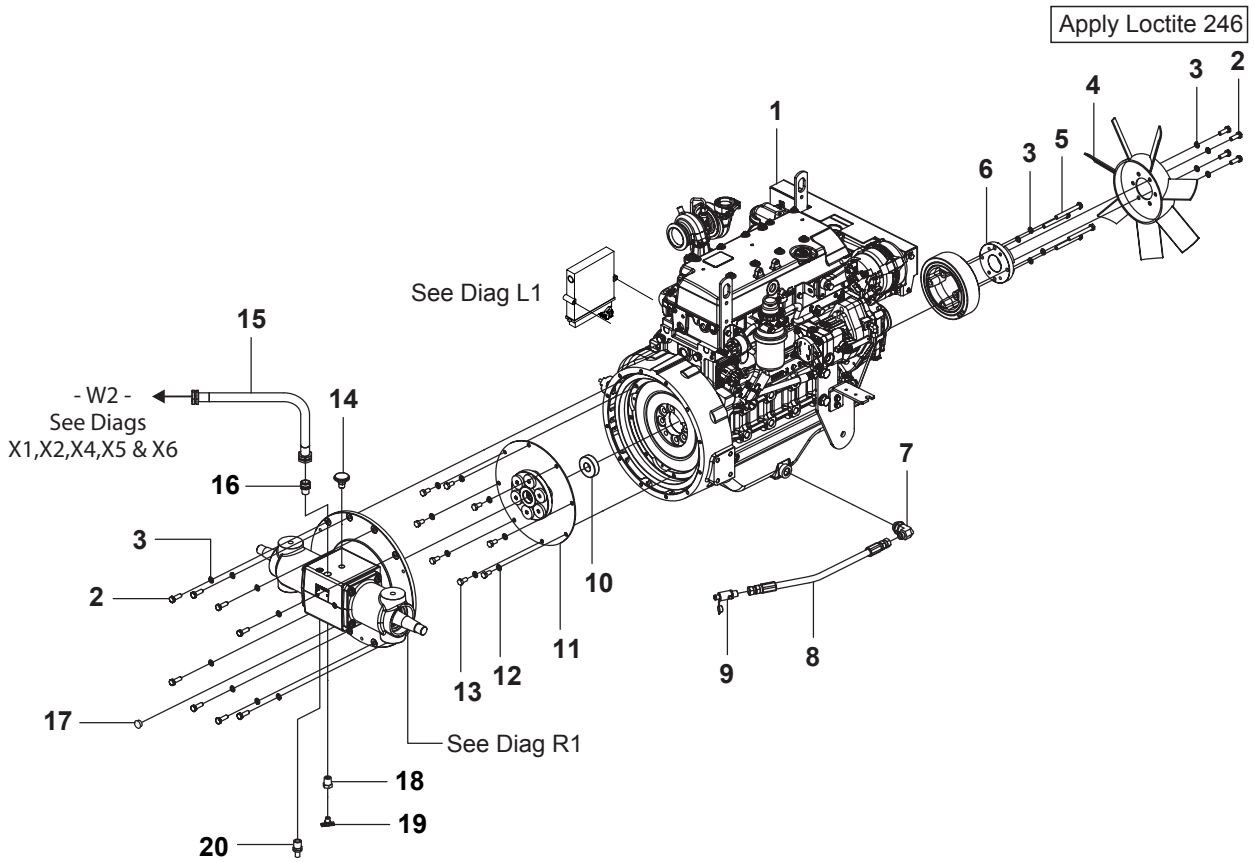
P1 FS9900D T3A

Engine, Fan & Gearbox

**** 1-Speed ****



10.27.09



NOTE: Drain water when Temperature below 32°F (0°C).

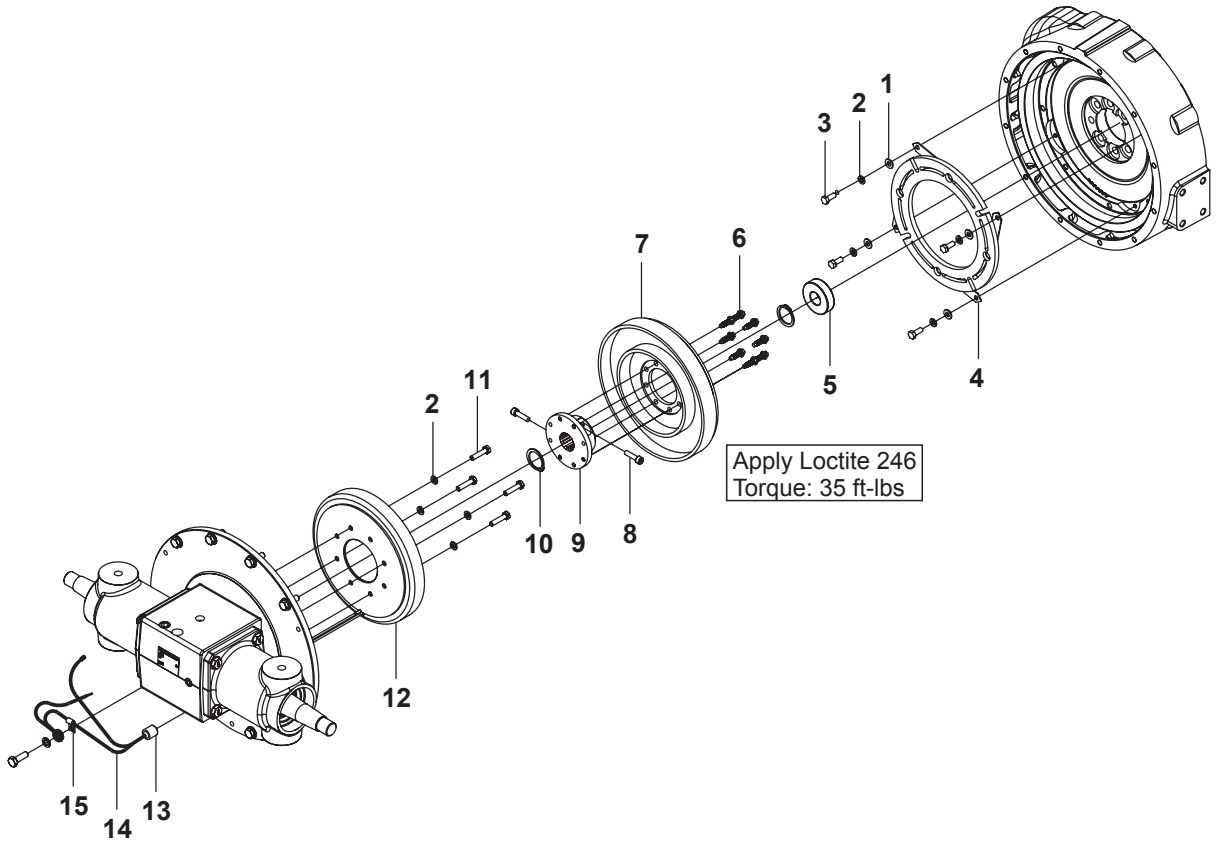
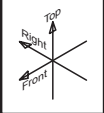
Page P1**FS9900D T3A ENGINE, FAN & GEARBOX**

Pos.	Part No.	Description	Quantity	Notes	New Part
1	504 79 31-02	ENGINE	1		
2	725 24 95-71	SCREW	12		
3	735 11 73-01	SPRING WASHER	16		
4	505 13 45-01	FAN	1		
5	725 25 09-51	SCREW	4		
6	542 19 89-40	SPACING BLOCK	1		
7	542 18 35-30	HYDRAULIC FIT	1		
8	542 19 13-16	HOSE	1		
9	542 16 69-07	VALVE	1		
10	542 16 63-51	BEARING	1		
11	541 20 69-43	FLYWHEEL	1		
12	539 99 01-18	WASHER	8		
13	539 99 01-34	BOLT	8		
14	542 20 66-60	VALVE	1		
15	542 19 80-43	HOSE	1		
16	541 20 48-55	SLEEVE	1		
17	542 18 33-75	PLUG	1		
18	542 13 96-49	ADAPTER	1		
19	542 16 07-04	VALVE	1		
20	541 20 48-70	SLEEVE	1		

P2 FS9900D T3A

Engine Gearbox-Clutch

**** 1-Speed ****



Apply Loctite 246
Torque: 35 ft-lbs

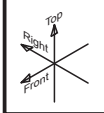
FS9900D T3A ENGINE GEARBOX-CLUTCH

Pos.	Part No.	Description	Quantity	Notes	New Part
1	539 99 01-88	WASHER	4		
2	539 99 01-87	WASHER	8		
3	725 24 51-76	SCREW	4		
4	542 19 89-75	ARMATURE CLUTCH	1		
5	542 16 63-51	BEARING	1		
6	542 19 90-53	BODY BOLT	8		
7	542 16 66-85	ROTOR ASSY	1		
8	725 54 55-55	SCREW	2		
9	542 19 93-87	CLUTCH DRIVE	1		
10	542 19 89-53	RING	2		
11	725 24 57-76	SCREW	4		
12	542 19 93-96	FIELD COIL ASSY	1		
13	542 19 94-80	BUSHING	1		
14	542 18 22-33	DIODE ASSY CLUTCH	1		
15	542 16 66-74	CLAMP	1		

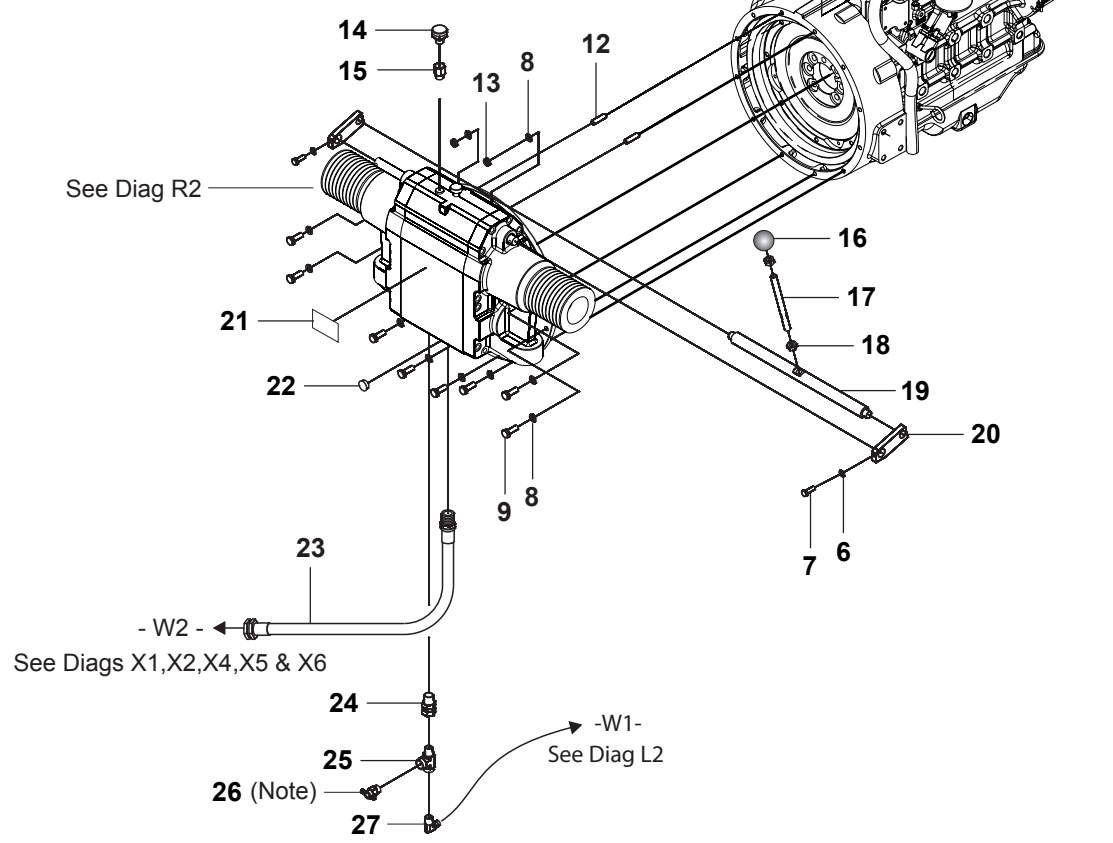
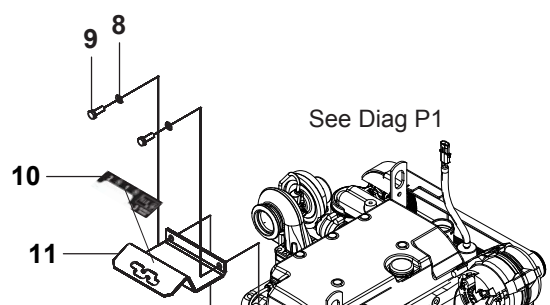
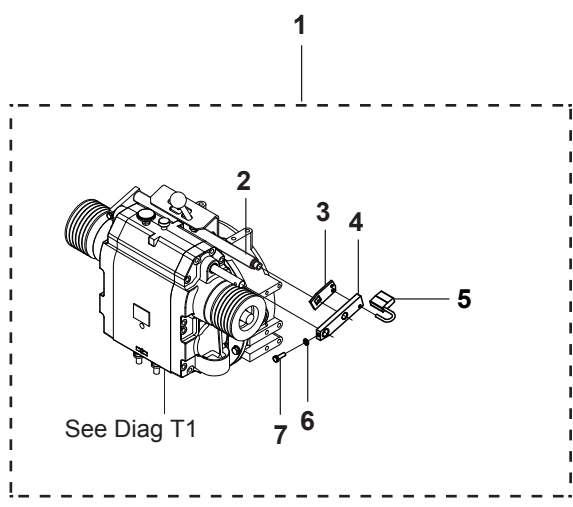
P3 FS9900D T3A

Gearbox & Belt Guard

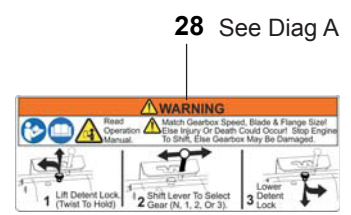
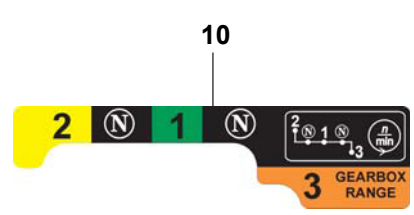
**** 3 - Speed ****



10.27.09



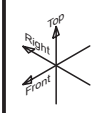
NOTE : Drain water when Temperature below 32°F (0°C).



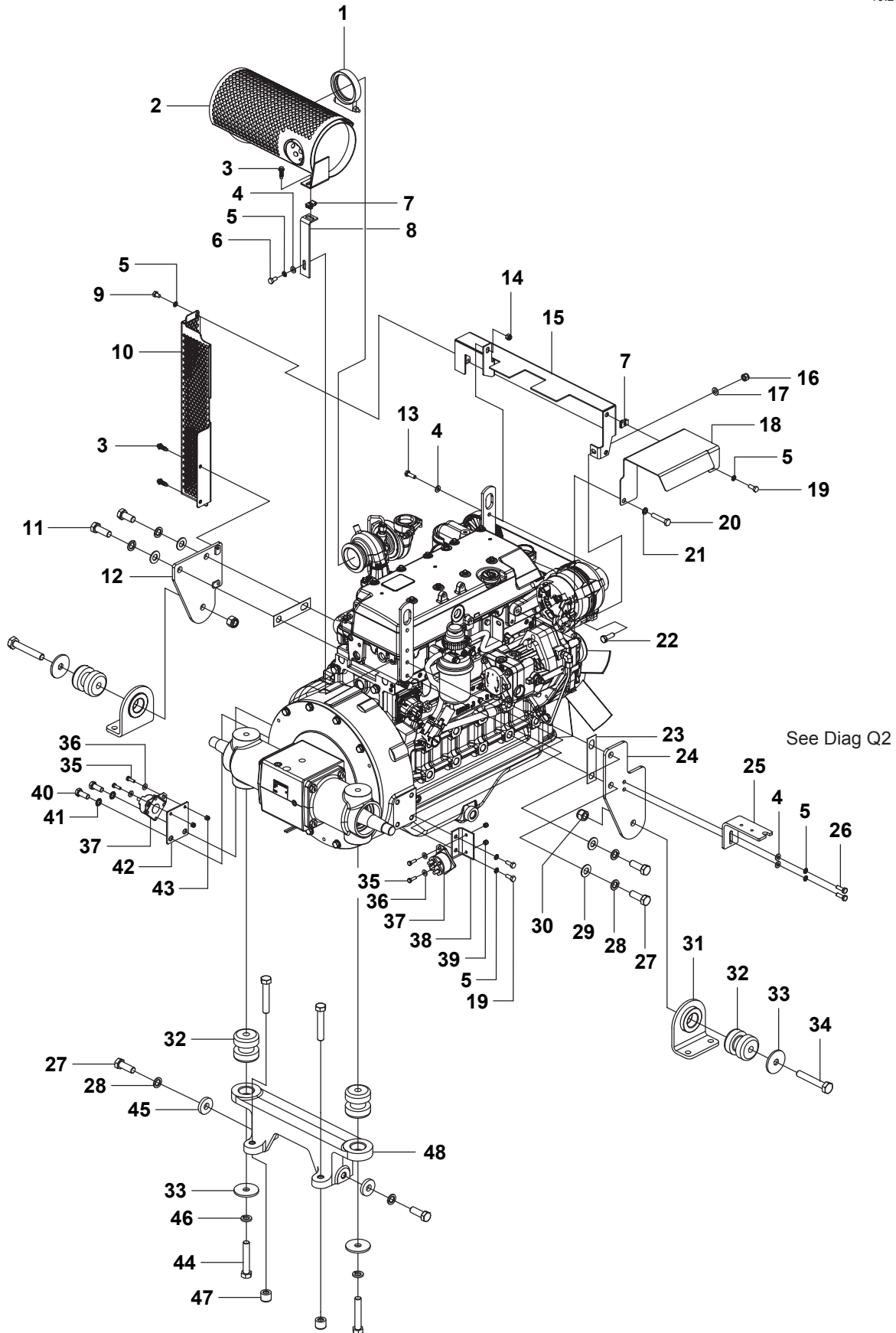
FS9900D T3A GEAR BOX & BELT GUARD

Pos.	Part No.	Description	Quantity	Notes	New Part
1	504 61 01-02	KIT	1	Incl. 2 - 7	
2	504 58 79-01	ROD	1		
3	504 59 22-06	ARM	1		
4	504 59 22-07	ARM	1		
5	504 59 92-01	LOCK	2		
6	539 99 01-87	WASHER	3		
7	539 99 02-09	SCREW	3		
8	735 11 73-01	SPRING WASHER	14		
9	725 24 95-71	SCREW	12		
10	542 19 05-95	DECAL	1		
11	505 10 37-01	BRACKET	1		
12	542 20 64-16	STUD	2		
13	731 43 20-01	NUT	2		
14	504 53 96-01	FITTING	1		
15	504 53 75-01	FITTING	1		
16	542 16 32-14	BALL	1		
17	504 54 55-01	HANDLE	1		
18	539 99 02-58	NUT	2		
19	542 20 62-58	SHIFT ROD LONG	1		
20	502 29 81-01	ARM	2		
21	542 17 62-23	DECAL	1		
22	542 18 33-75	PLUG	1		
23	542 16 36-56	HOSE ASSY	1		
24	504 54 87-01	FITTING	1		
25	504 54 86-01	FITTING	1		
26	504 54 88-01	VALVE	1		
27	504 54 85-01	FITTING	1		
28	504 55 97-01	DECAL	1		

Q1 FS990D T3A Engine Mounting, Guards & Muffler



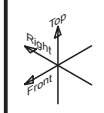
10.27.09



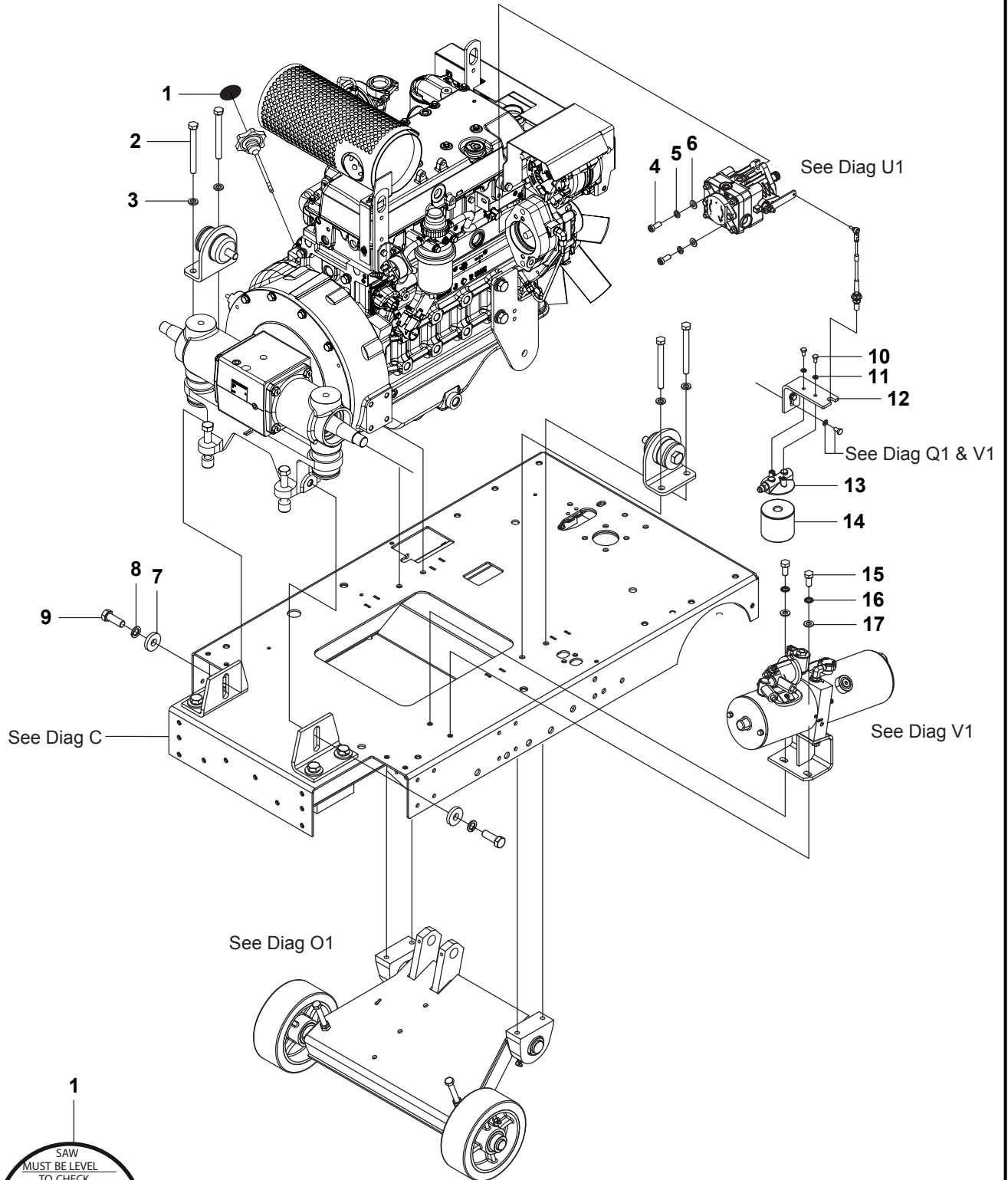
FS9900D T3A ENGINE MOUNTING, GUARDS & MUFFLER

Pos.	Part No.	Description	Quantity	Notes	New Part
1	541 20 66-91	PIPE CLAMP	1		
2	525 74 98-02	MUFFLER	1		
3	542 19 90-53	BODY BOLT	3		
4	734 11 63-01	WASHER	4		
5	735 11 64-01	SPRING WASHER	7		
6	725 24 49-71	SCREW	1		
7	542 16 75-55	NUT	1		
8	502 29 04-01	SUPPORT	1		
9	725 24 47-71	SCREW	1		
10	505 06 78-09	GUARD	1		
11	542 19 94-79	SCREW	2		
12	506 90 00-07	MOUNT	2		
13	725 24 53-71	SCREW	1		
14	732 25 18-01	HEXAGON LOCKING NUT	1		
15	510 28 36-01	GUARD	1		
16	732 25 20-01	HEXAGON LOCKING NUT	1		
17	734 11 72-01	WASHER	1		
18	510 41 46-01	COVER	1		
19	725 24 51-71	SCREW	3		
20	725 25 01-51	SCREW	1		
21	735 11 73-01	SPRING WASHER	1		
22	725 24 95-71	SCREW	1		
23	522 67 65-01	SPACER	2		
24	506 90 00-04	ENGINE MOUNTING	1		
25	506 89 99-03	BRACKET	1		
26	725 24 55-71	SCREW	2		
27	542 16 74-47	SCREW	5		
28	542 19 19-62	WASHER	6		
29	539 97 69-82	WASHER	4		
30	576 87 89-28	NUT	2		
31	541 20 84-25	BRACKET	2		
32	542 16 63-52	DAMPER	4		
33	542 20 63-56	WASHER	4		
34	542 16 63-56	SCREW	2		
35	725 23 70-71	SCREW	4		
36	539 99 00-55	WASHER	4		
37	505 45 58-01	RELAY	2		
38	505 45 59-03	BRACKET	1		
40	725 25 32-71	SCREW	2		
41	735 11 78-01	WASHER	2		
42	505 45 59-01	BRACKET	1		
43	732 25 16-01	HEXAGON LOCKING NUT	4		
44	542 16 63-68	SCREW	4		
45	542 16 03-93	RING	2		
46	539 99 03-33	WASHER	2		
47	539 30 04-40	CAP	2		
48	542 16 64-42	BRACKET	1		

Q2 FS990D T3A Engine Mounting



10.13.09



1

SAW
MUST BE LEVEL
TO CHECK
ENGINE OIL

CAUTION

Page Q2**FS9900D T3A ENGINE MOUNTING**

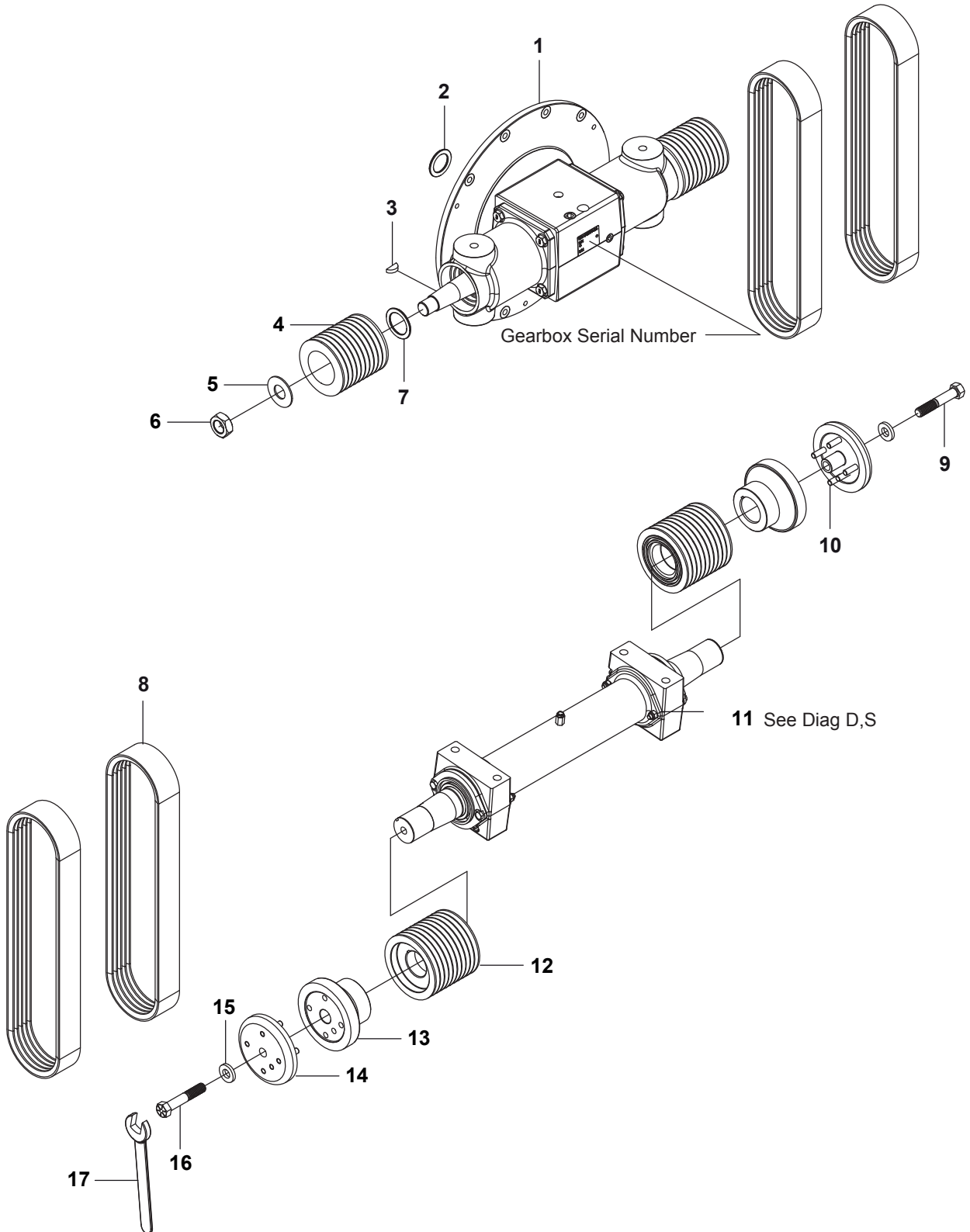
Pos.	Part No.	Description	Quantity	Notes	New Part
1	521 88 53-01	DECAL	1		
2	541 20 49-38	BOLT	4		
3	539 99 02-54	WASHER	4		
4	725 24 55-71	SCREW	2		
5	735 11 73-01	SPRING WASHER	2		
6	542 02 07-63	WASHER	2		
7	542 16 03-93	RING	2		
8	542 19 19-62	WASHER	2		
9	542 16 74-47	SCREW	2		
10	539 99 00-71	SCREW	2		
11	539 99 00-52	WASHER	2		
12	506 89 99-03	BRACKET	1		
13	542 16 64-48	FILTER HEAD	1		
14	542 16 64-49	HYDRAULIC FILTER	1		
15	725 25 34-71	SCREW	2		
16	735 11 78-01	WASHER	2		
17	734 11 78-01	WASHER	2		

R1 FS990D T3A

Gearbox-Blade Shaft FS9900
****1-Speed****



10.27.09

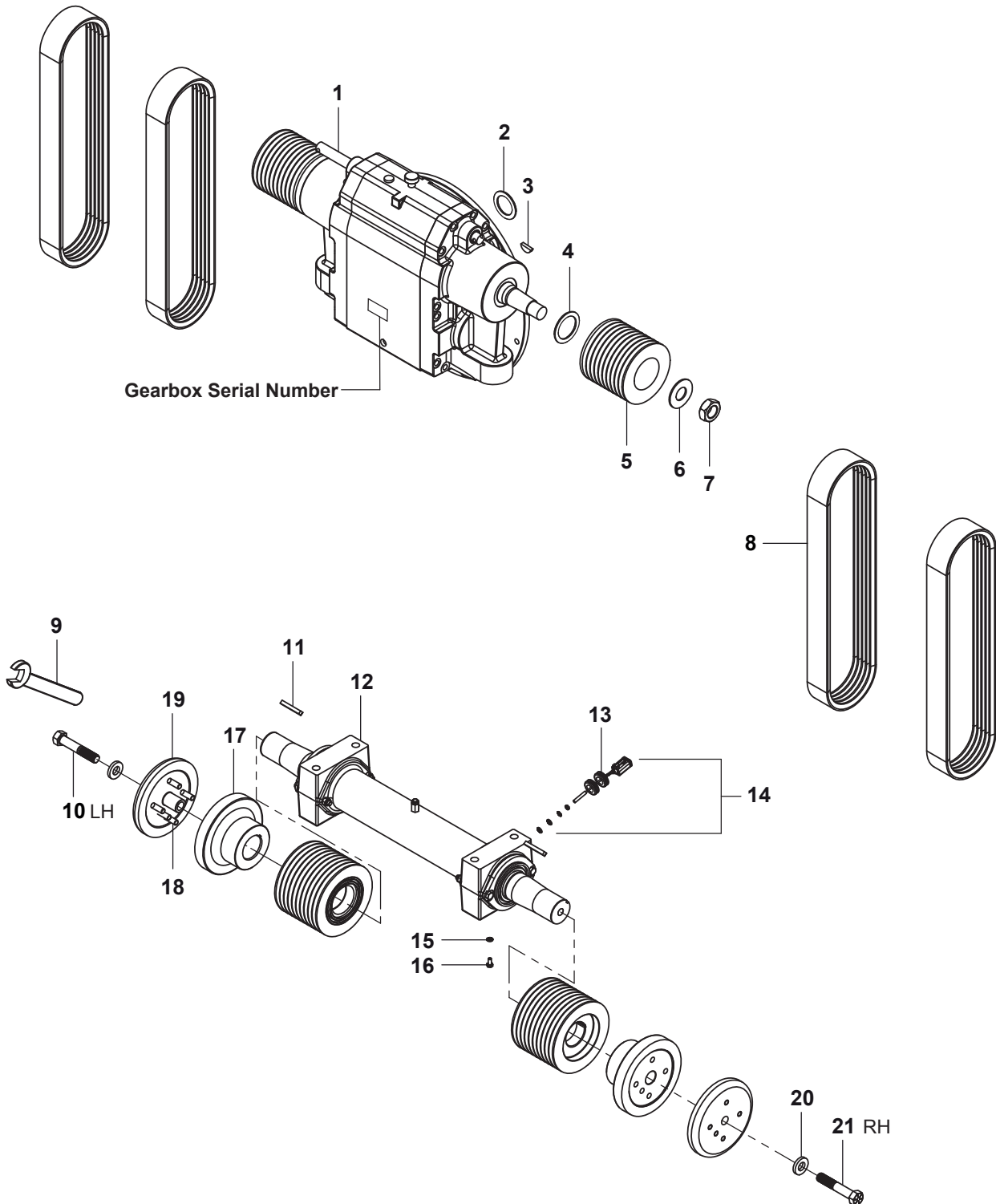
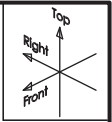


FS9900D T3A GEARBOX BLADE SHAFT

Pos.	Part No.	Description	Quantity	Notes	New Part
1	542 19 94-81	GEAR BOX	1		
2	504 83 68-01	SEAL	1	Input shaft	
3	542 16 46-32	KEY	2		
4	542 19 95-30	PULLEY	2	Dia 3,65", Blade 30" - 60"	
4	542 19 95-31	PULLEY	2	Dia 4,13", Blade 26"	
5	542 16 64-80	WASHER	2		
6	541 20 48-33	NUT	2		
7	504 83 68-02	SEAL	2	Output shaft	
8	504 11 97-09	V-BELT	4	Size 475, 48"	
8	541 20 19-08	V-BELT	4	Size 500, 60"	
8	542 19 97-00	V-BELT	4	Size 465, 26" & 36"	
8	542 19 97-66	V-BELT	4	Size 450, 30"	
9	542 16 34-87	SCREW	1	RH	
10	539 30 00-10	DOWEL PIN	10	*)	
10	539 30 00-10	DOWEL PIN	8	**)	
11	505 41 70-01	BLADE SHAFT	1		
12	505 41 74-11	PULLEY	2	Dia 4,75", Balde 26" - 30"	
12	505 41 74-10	PULLEY	2	Dia 5,60", Blade 36"	
12	505 41 74-14	PULLEY	2	Dia 6,40", Blade 42"	
12	505 41 74-13	PULLEY	2	Dia 7,50", Blade 48"	
12	505 41 74-15	PULLEY	2	Dia 9,30", Blade 60"	
13	522 96 59-21	FLANGE	1	Dia 5", Blade 26" - 30"	
13	522 96 59-31	FLANGE	1	Dia 6", Blade 36"	
13	522 96 59-25	FLANGE	1	Dia 7", Blade 42"	
13	522 96 59-35	FLANGE	1	Dia 8", Blade 48"	
13	522 96 59-17	FLANGE	1	Dia 10", Blade 60"	
14	522 96 59-23	FLANGE	2	Dia 5", Blade 26" - 30". *)	
14	522 96 59-29	FLANGE	2	Dia 6", Blade 36". *)	
14	522 96 59-27	FLANGE	2	Dia 7", Blade 42". *)	
14	522 96 59-33	FLANGE	2	Dia 8", Blade 48". *)	
14	522 96 59-19	FLANGE	2	Dia 10", Blade 60". **)	
15	522 96 59-42	WASHER	2		
16	542 16 34-88	SCREW	1	LH	
17	539 30 01-33	WRENCH	1		
-	541 20 71-00	KIT SHEAVE PULLER	1	Optional	

R2 FS990D T3A

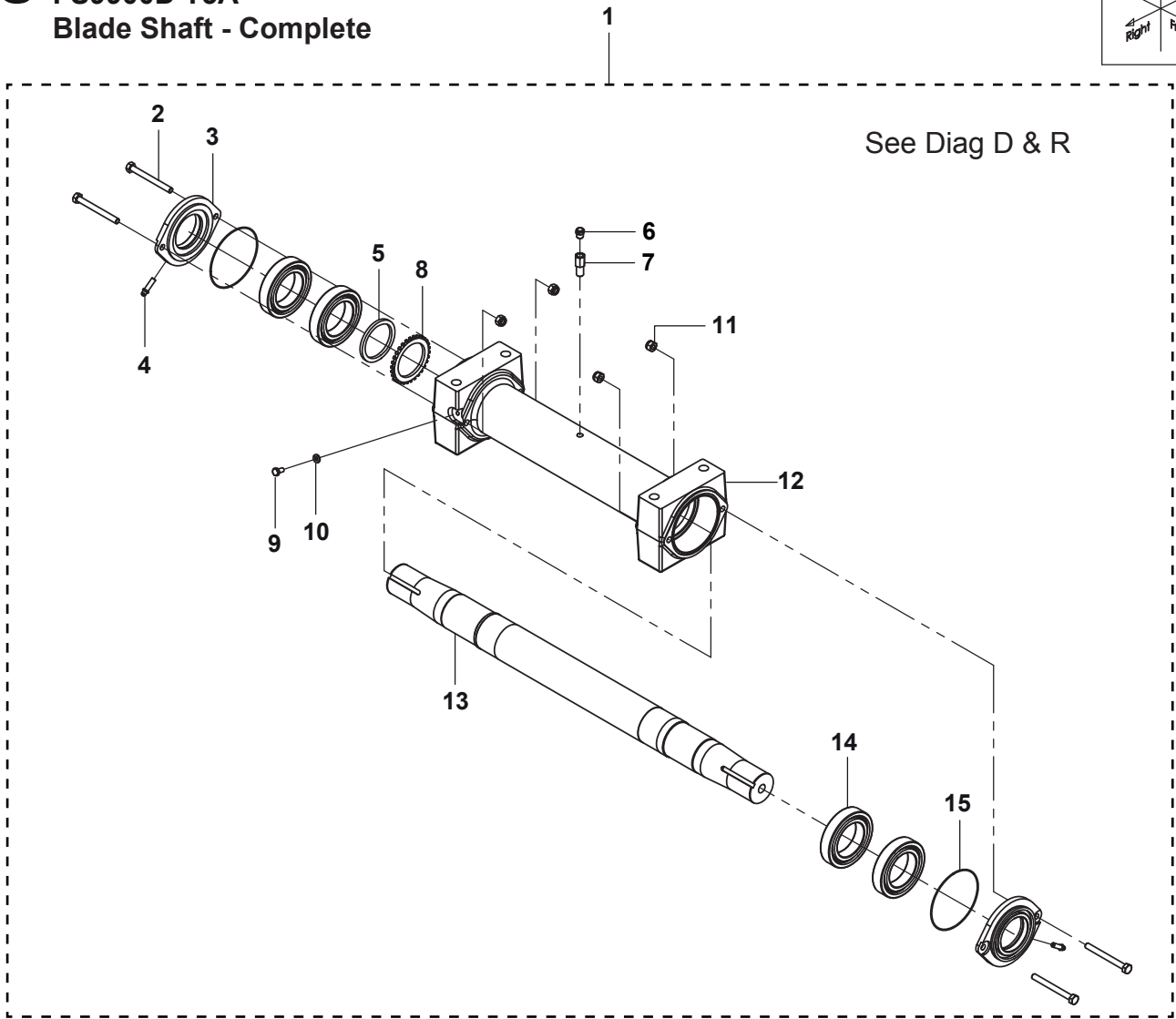
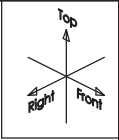
Gearbox - Blade Shaft - FS9900
****3-Speed****



FS9900D T3A GEAR BOX BLADE SHAFT 3-SPEED

Pos.	Part No.	Description	Quantity	Notes	New Part
1	542 19 98-36	GEARBOX. 3-SPEED	1		
2	504 83 68-01	SEAL	1	Input Shaft	
3	542 16 46-32	KEY	2		
4	504 83 68-02	SEAL	2	Output Shaft	
5	542 19 95-30	PULLEY	2	Dia 3,65, Flange Dia 5"	
5	505 41 74-07	PULLEY	2	Dia 4,50, Flange 7"	
5	542 19 95-32	PULLEY	2	Dia 4,75, Flange 6", 8", 10"	
6	542 16 64-80	WASHER	2		
7	541 20 48-33	NUT	1		
8	504 11 97-10	V-BELT	4	Size 570, Flange 5"	
8	504 11 97-03	V-BELT	4	Size 580, Flange 6", 8"	
8	541 20 11-15	V-BELT	4	Size 600, Flange 7", 10"	
9	504 62 64-03	WRENCH	1		
10	542 16 34-88	SCREW	1	LH	
11	542 19 90-45	KEY	2		
12	505 41 17-01	KIT	1		
13	542 16 32-45	BUSHING	2		
14	574 74 42-02	SWITCH	1	Incl. 542 20 64-78 Alingment Tool	
15	505 41 70-05	BLADE SHAFT	1		
16	725 23 66-71	SCREW	1		
17	522 96 59-21	FLANGE	2	Dia 5"	
17	522 96 59-31	FLANGE	2	Dia 6"	
17	522 96 59-25	FLANGE	2	Dia 7"	
17	522 96 59-35	FLANGE	2	Dia 8"	
17	522 96 59-17	FLANGE	2	Dia 10"	
18	539 30 00-10	PIN	10		
19	522 96 59-23	FLANGE	2	Dia 5"	
19	522 96 59-29	FLANGE	2	Dia 6"	
19	522 96 59-27	FLANGE	2	Dia 7"	
19	522 96 59-33	FLANGE	2	Dia 8"	
19	522 96 59-19	FLANGE	2	Dia 10"	
20	505 41 74-11	PULLEY	2	Dia 4,75", Flange 5"	
20	505 41 74-10	PULLEY	2	Dia 5,60", Flange 6"	
20	505 41 74-14	PULLEY	2	Dia 6,40", Flange 7"	
20	505 41 74-13	PULLEY	2	Dia 7,50", Flange 8"	
20	505 41 74-15	PULLEY	2	Dia 9,30", Flange 10"	
21	522 96 59-42	WASHER	2		
22	542 16 34-87	CAPSCREW	1		
-	541 20 71-00	KIT, SHEAVE PULLER	1	Optional	

S FS9900D T3A
Blade Shaft - Complete



Blade Shaft Assemblies - Compl. with:
Pulleys, Flanges & Mounting Fasteners

FS9900D 1-Speed

Assy No	Blade	Pulley (x2)	Dia	Inner Flange	Outer Flange	Dia
574876213	26"	505417411	4.75	522965921	522965923	5"
574876214	30"	505417411	4.75	522965921	522965923	5"
574876215	36"	505417410	5.60	522965931	522965929	6"
574876216	42"	505417414	6.40	522965925	522965927	7"
574876217	48"	505417413	7.50	522965935	522965933	8"
574876218	60"	505417415	9.30	522965917	522965919	10"

Blade Shaft Assemblies - Compl. with:
Pulleys, Flanges & Mounting Fasteners

FS9900D 3-Speed

Assy No	Blade	Pulley (x2)	Dia	Inner Flange	Outer Flange	Dia
574876205	36"	505417410	5.60	522965931	522965929	6"
574876206	42"	505417414	6.40	522965925	522965927	7"
574876207	48"	505417413	7.50	522965935	522965933	8"
574876208	60"	505417415	9.30	522965917	522965919	10"

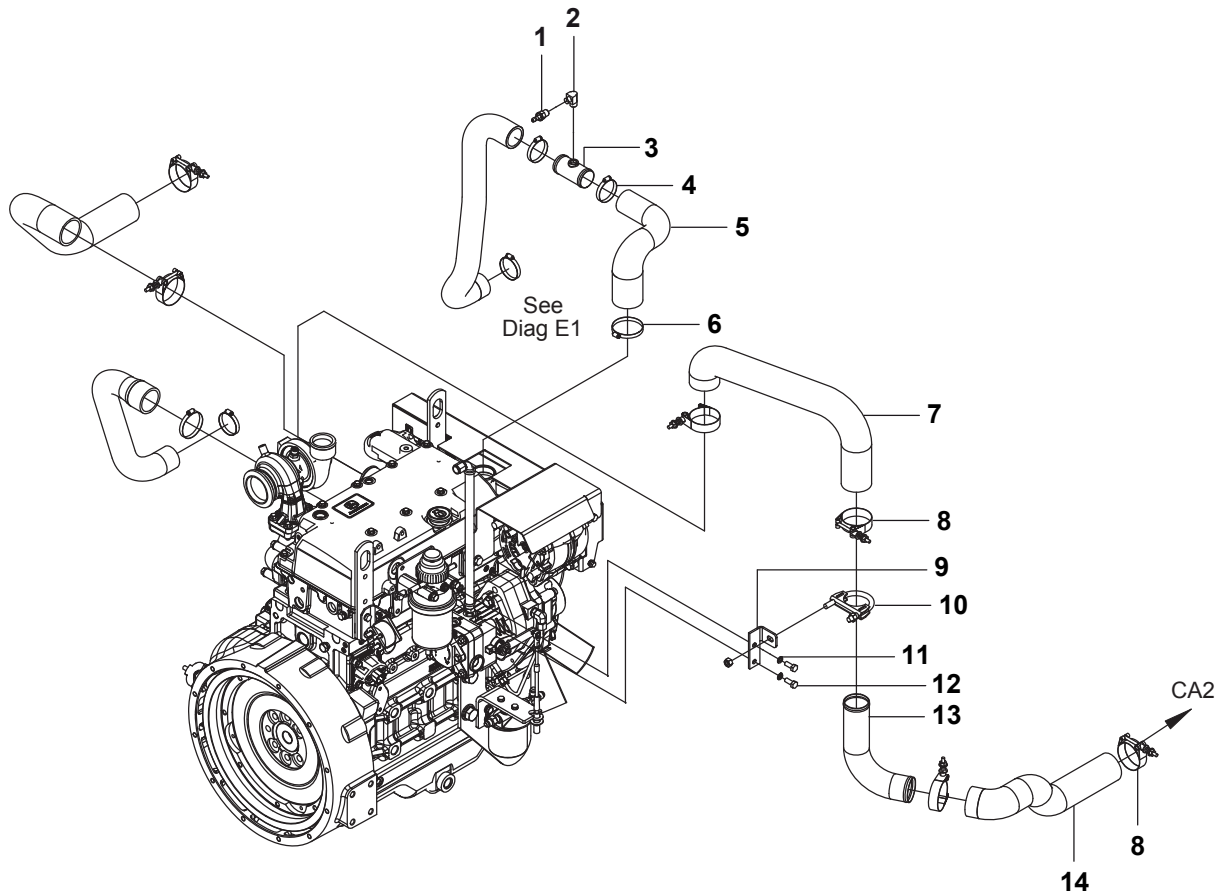
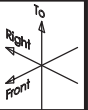
Page S

FS9900D T3A BLADE SHAFT CPL

Pos.	Part No.	Description	Quantity	Notes	New Part
1	505 41 70-01	BLADE SHAFT	1	Incl. 2 - 15	
2	542 19 90-44	BOLT	4		
3	505 41 73-01	FLANGE	2		
4	542 16 42-43	GREASE FITTING	2		
5	523 02 50-02	SPACER	1		
6	542 19 12-84	FITTING	1		
7	542 19 19-63	NIPPLE	1		
8	523 02 50-01	SPROCKET	1		
9	725 23 66-71	SCREW	2		
10	740 38 08-01	SEALING WASHER	2		
11	732 25 18-01	HEXAGON LOCKING NUT	4		
12	505 41 72-01	HOUSING BLADESHAFT	1		
13	505 41 71-01	BLADE SHAFT	1		
14	505 41 69-01	BALL BEARING	4		
15	541 20 80-22	O-RING	2		

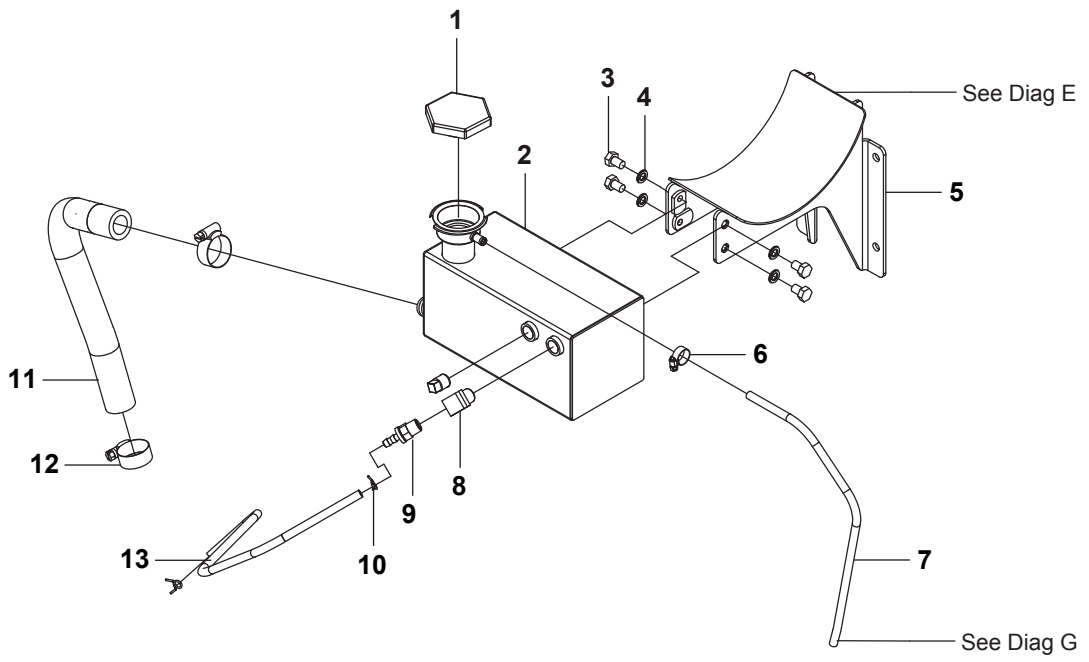
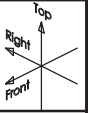
T1 FS9900D T3A

Cooling



Pos.	Part No.	Description	Quantity	Notes	New Part
1	525 55 07-01	FITTING	1		
2	525 44 86-01	FITTING	1		
3	525 41 64-01	TUBE	1		
4	542 16 66-30	CLAMP	3		
5	504 85 92-03	HOSE	1		
6	539 30 00-73	CLAMP	2		
7	504 85 89-01	HOSE	1		
8	521 93 35-01	CLAMP	4		
9	522 63 65-01	BRACKET	1		
10	542 13 66-08	CLAMP	1		
11	735 11 64-01	SPRING WASHER	2		
12	725 24 51-71	SCREW	2		
13	510 27 11-01	TUBE	1		
14	504 85 89-03	HOSE	1		

T2 FS9900D T3A Surge Tank

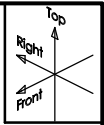


Page T2

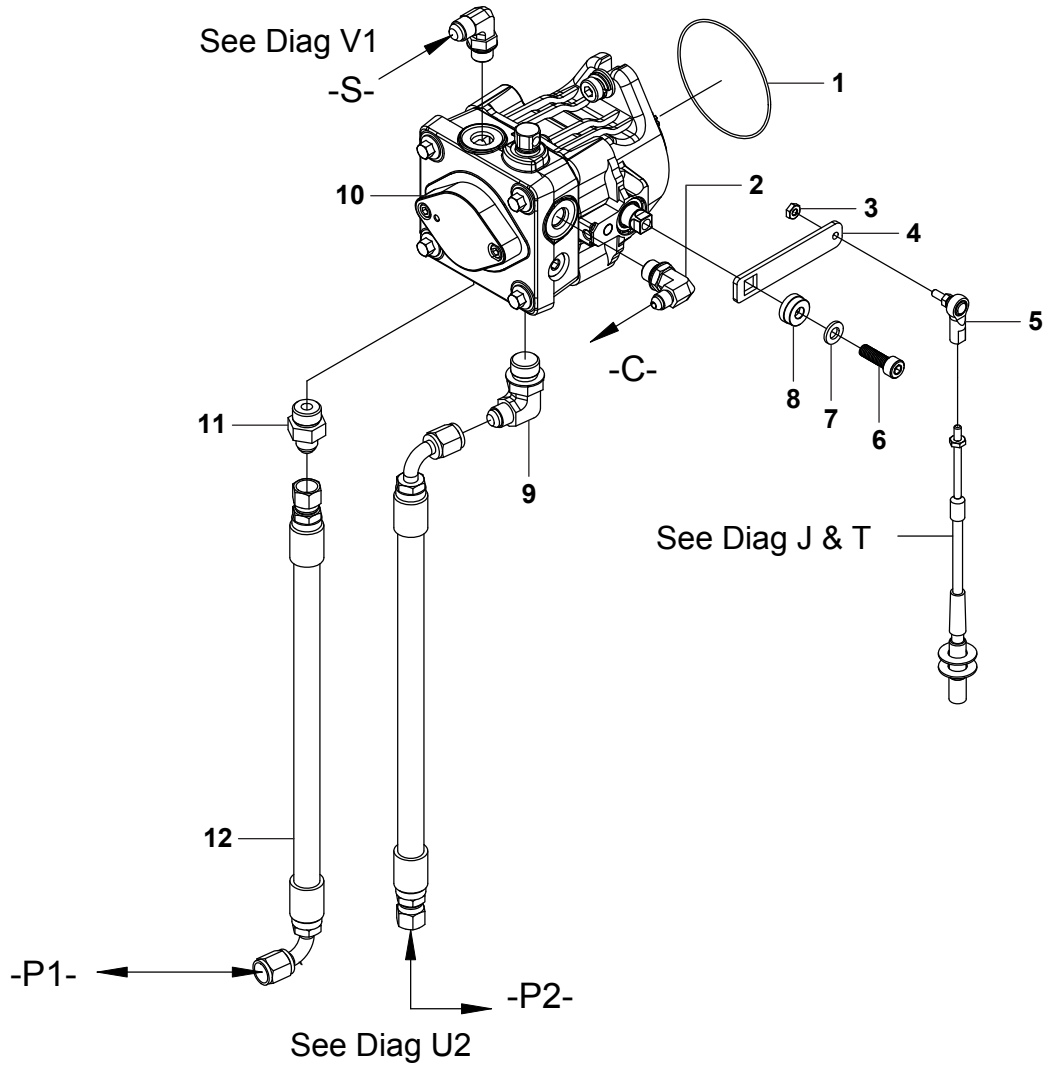
FS9900D T3A SURGE TANK

Pos.	Part No.	Description	Quantity	Notes	New Part
1	542 16 63-93	CAP	1		
2	525 28 99-01	TANK	1		
3	725 24 47-71	SCREW	4		
4	735 11 64-01	SPRING WASHER	4		
5	504 83 71-04	AIR CLEANER	1		
6	542 02 00-49	HOSE CLAMP	1		
7	542 19 94-78	HOSE	1		
8	525 55 04-01	FITTING	1		
9	525 55 07-01	FITTING	1		
10	573 96 68-01	CLAMP	2		
11	525 43 47-02	HOSE	1		
12	541 20 13-54	HOSE CLAMP	1		
13	525 56 72-01	HOSE	20"		

U1 FS990D T3A Hydraulic Drive Pump



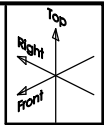
See Diag T



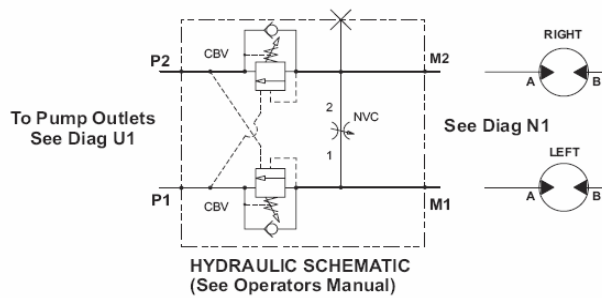
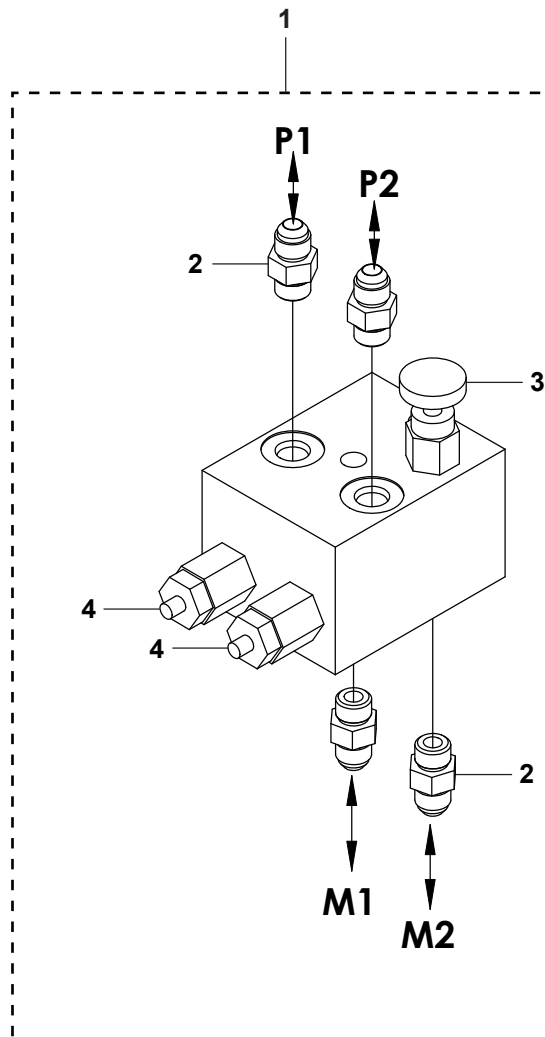
FS9900D T3A HYDRAULIC DRIVE PUMP

Pos.	Part No.	Description	Quantity	Notes	New Part
1	542 19 89-49	O-RING	1		
2	541 20 47-68	HYDRAULIC FIT	1		
3	541 20 52-53	NUT	1		
4	522 61 29-03	ARM	1		
5	542 16 64-66	ROD END MALE	1		
6	542 17 44-46	CAPSCREW	1		
7	734 11 63-01	WASHER	1		
8	505 28 95-10	PUMP	1		
9	541 20 48-06	HYDRAULIC FIT	1		
10	505 28 95-04	PUMP	1		
11	541 20 49-77	FITTING	1		
12	525 57 95-01	HOSE	2		

U2 FS9900D T3A Bypass Valve Manifold



See Diag B



Page U2

FS9900D T3A BYPASS VALVE MANIFOLD

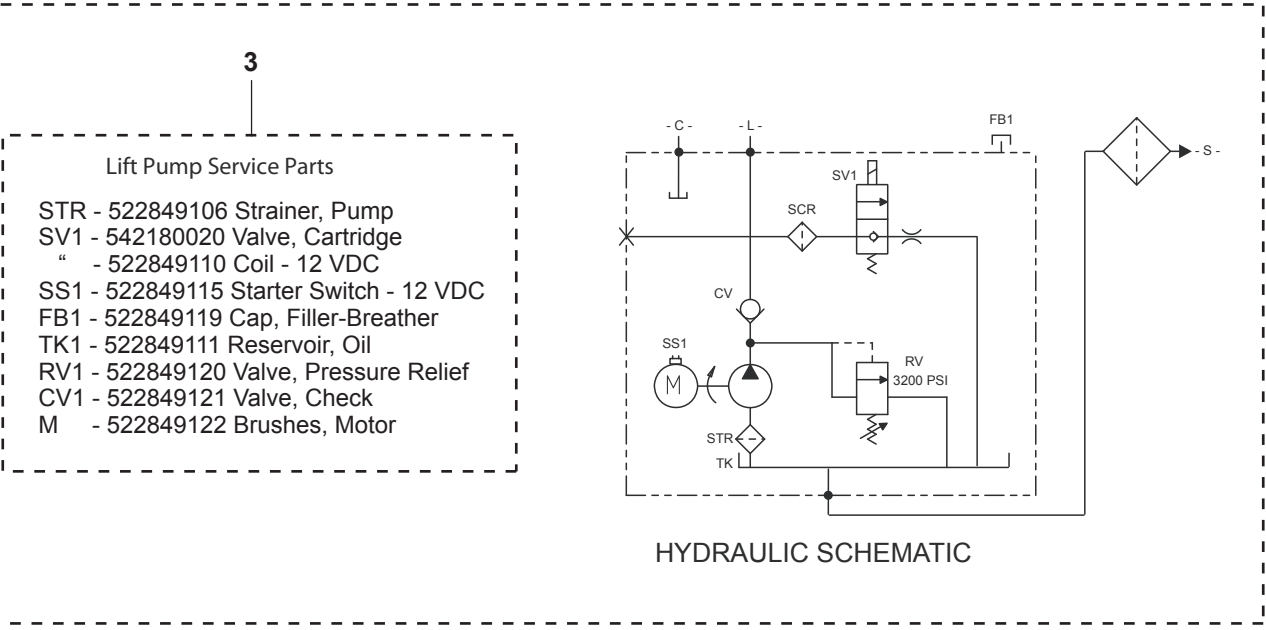
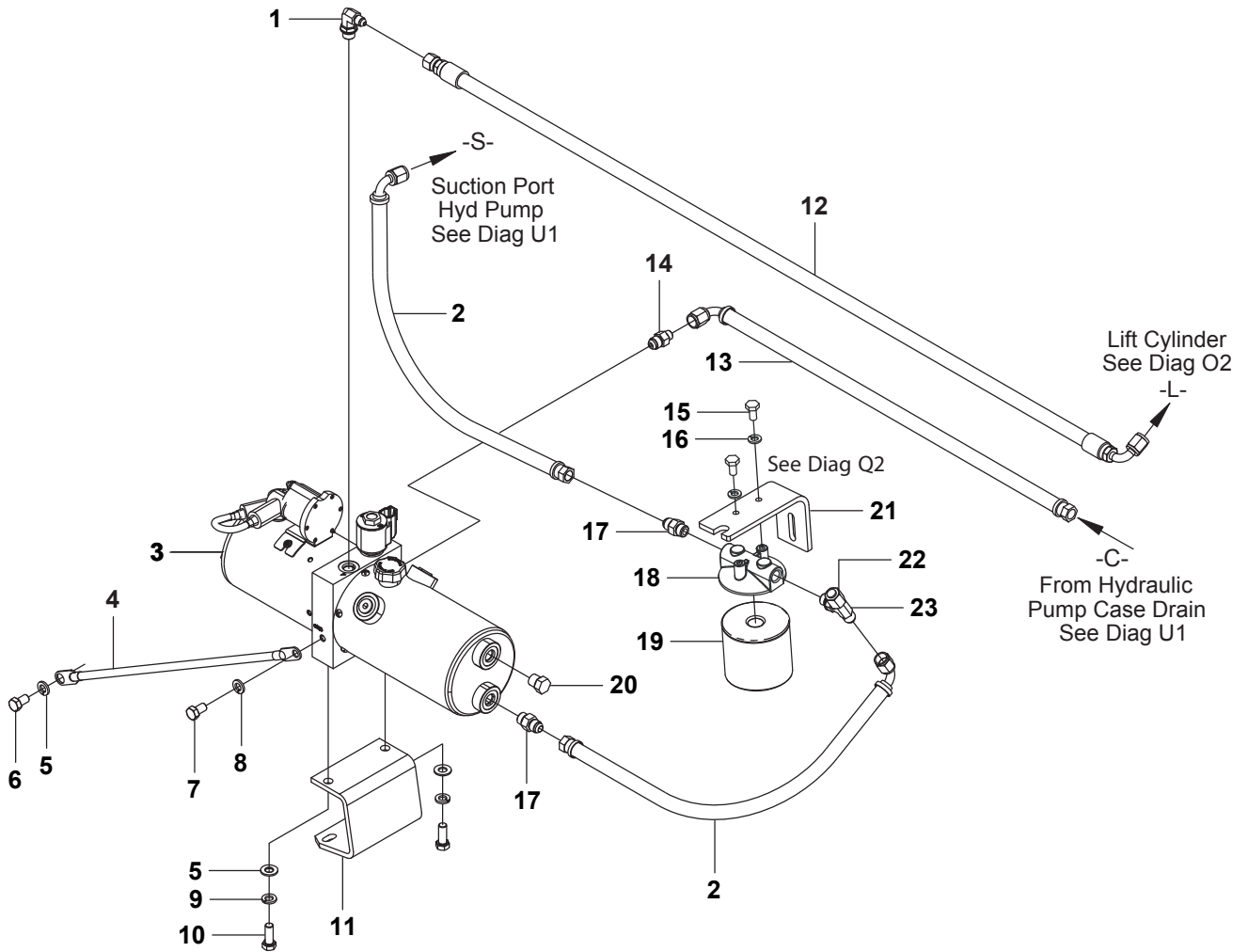
Pos.	Part No.	Description	Quantity	Notes	New Part
1	542 19 89-1		1	Incl. 2 - 5	
2	541 20 47-56		2		
3	542 19 89-17		1		
4	542 19 94-14		2		
5	541 20 47-56		2		

V FS9900D T3A Lift Pump & Filter



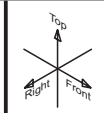
10.13.09

See Diag Q2



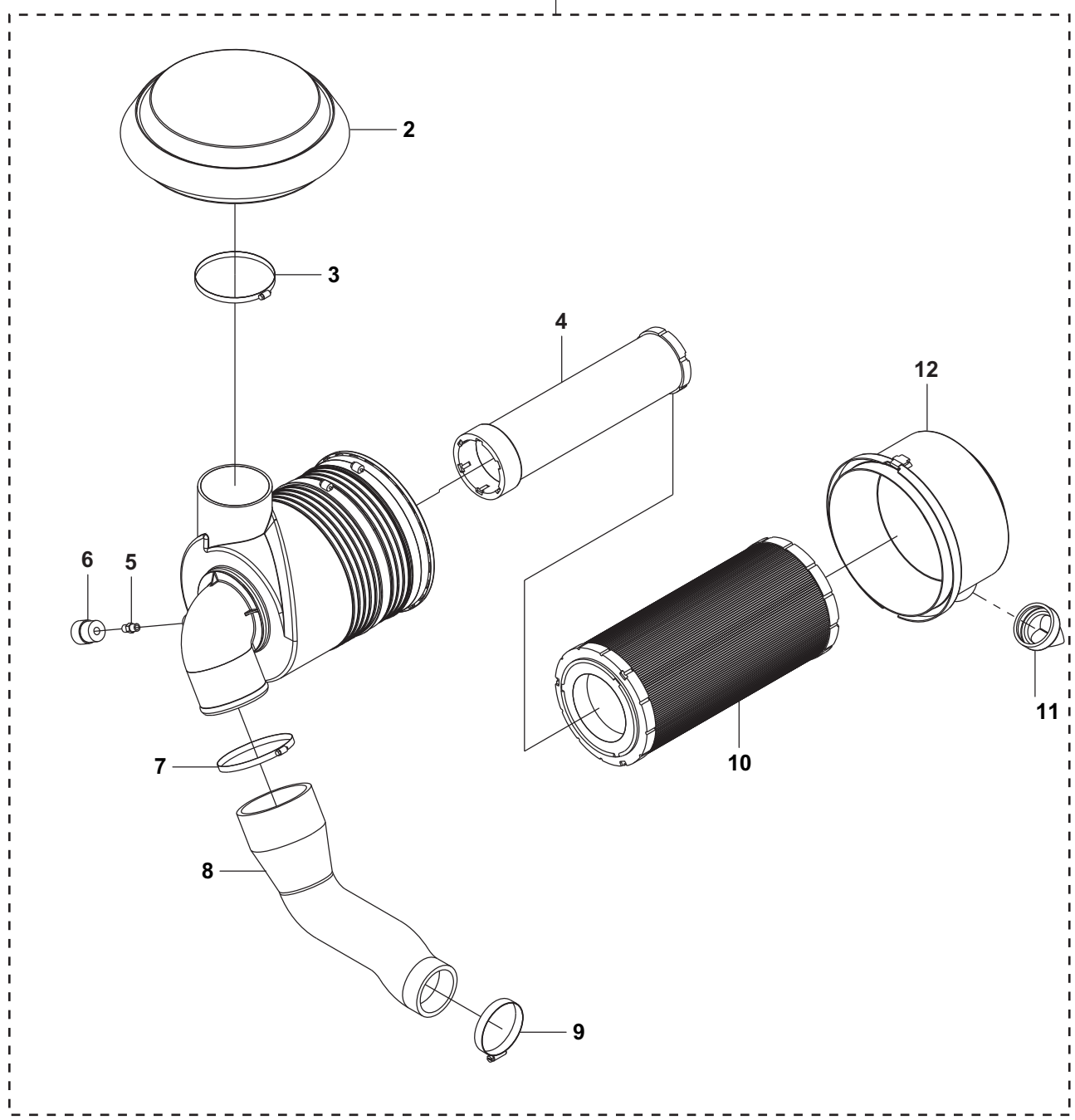
FS9900D T3A LIFT PUMP & FILTER

Pos.	Part No.	Description	Quantity	Notes	New Part
1	541 20 47-68	HYDRAULIC FIT	1		
2	542 19 97-41	HOSE	2		
3	522 74 60-01	PUMP	1		
4	522 84 24-01	CABLE	1		
5	539 99 01-22	WASHER	3		
6	539 97 69-41	SCREW	1		
7	542 16 02-44	SCREW	1		
8	542 17 30-19	STAR WASHER	1		
9	539 99 01-18	WASHER	2		
10	542 02 03-21	SCREW	1		
11	510 12 66-01	MOUNT	1		
12	542 19 93-59	HOSE	1		
13	542 19 93-58	HOSE	1		
14	541 20 47-55	HYDRAULIC FIT	1		
15	539 99 00-71	SCREW	2		
16	539 99 00-52	WASHER	2		
17	541 20 47-56	HYDRAULIC FIT	2		
18	542 16 64-48	FILTER HEAD	1		
19	542 16 64-49	HYDRAULIC FILTER	1		
20	576 19 11-85	FITTING	1		
21	506 89 99-03	BRACKET	1		
22	541 20 48-70	HYDRAULIC FIT	1		
23	541 20 49-83	CLUTCH	1		

W**FS9900D T3A
Air Filter**

10.13.09

1



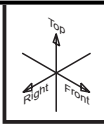
Page W

FS9900D T3A AIR FILTER

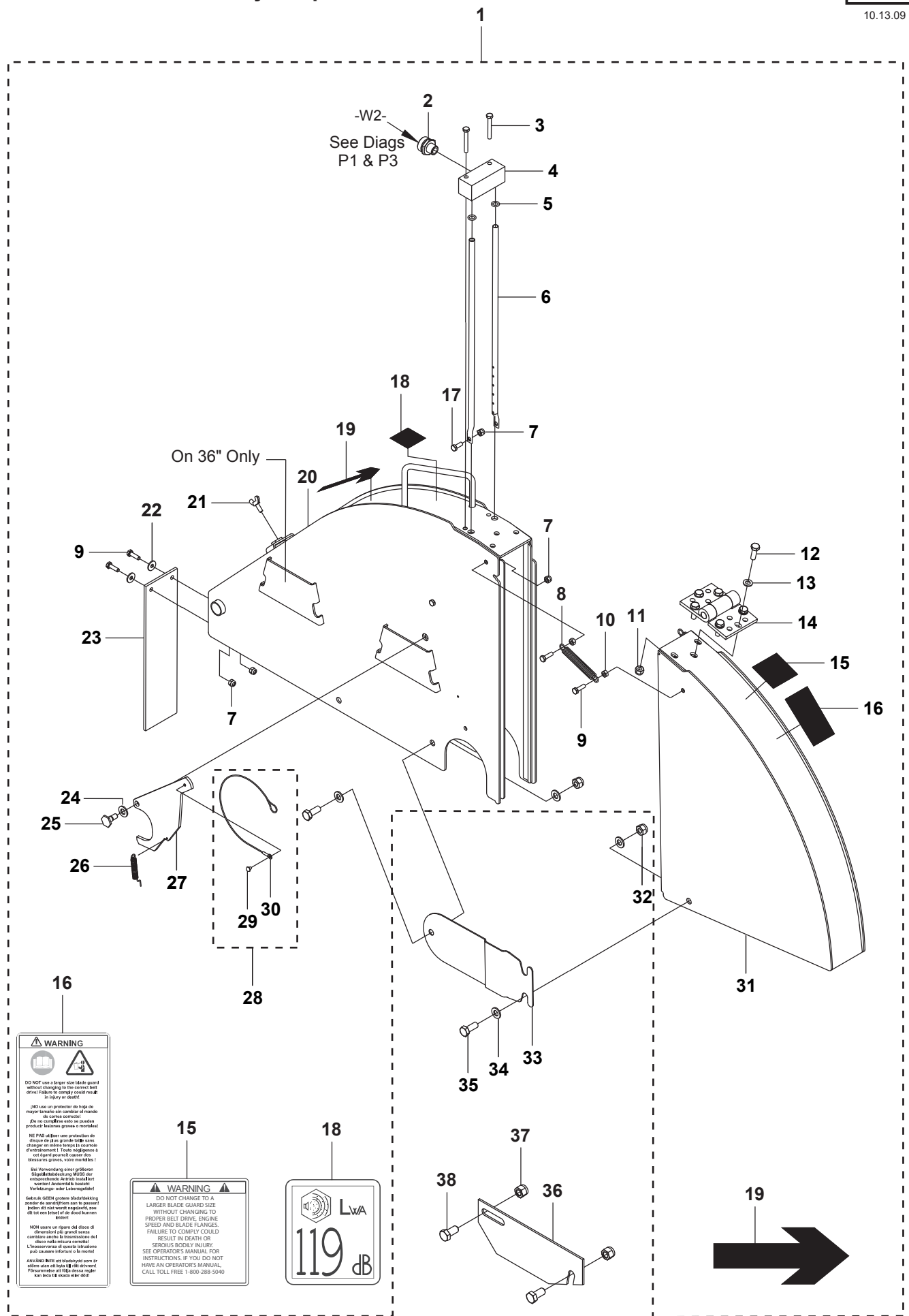
Pos.	Part No.	Description	Quantity	Notes	New Part
1	542 19 10-82	AIR FILTER ASSY	1	Incl. 2 - 12	
2	542 19 95-66	AIR HOOD	1		
3	575 95 78-01	HOSE CLAMP	1		
4	542 19 11-16	FILTER	1		
5	542 16 68-80	ADAPTOR	1		
6	541 20 09-89	GAUGE	1		
7	575 95 89-01	HOSE CLAMP	1		
8	510 26 26-01	HOSE	1		
9	541 20 06-42	CLAMP	1		
10	542 19 11-15	FILTER	1		
11	542 19 11-14	HOUSE	1		
12	542 19 11-18	CAP	1		

X1 FS9900D T3A

Blade Guard Assy - Slip-On



10.13.09



WARNING

DO NOT use a larger size blade guard without changing to the correct belt drive. Failure to comply could result in injury or death!

NE PAS utiliser une garde de plus grande taille sans changer en même temps la courroie d'entraînement. Échec à respecter peut causer des blessures graves, voire mortelles.

Bei Verwendung einer größeren Schlagabdeckung MUSS der entsprechende Antrieb korrespondierend ausgetauscht werden!

Гарнитура НЕЛЬЗЯ использовать с более крупными дисками без замены ремня и шкивов привода. Несоблюдение может привести к травмам или смерти!

NON usare un disco di dimensioni più grandi senza cambiare anche la trasmissione del disco nella misura corretta. L'insuccesso di questa operazione può causare infortuni o la morte!

ANVÄND: Bete ett större skydd om du inte byter bälte och skivdrivning samtidigt. Om du inte gör det kan det leda till skador eller död!

WARNING

DO NOT CHANGE TO A LARGER BLADE GUARD SIZE WITHOUT CHANGING TO PROPER BELT DRIVE, ENGINE SPEED AND BLADE FLANGES. FAILURE TO COMPLY COULD RESULT IN DEATH OR SERIOUS BODY INJURY. SEE OPERATOR'S MANUAL FOR INSTRUCTIONS. IF YOU DO NOT HAVE AN OPERATOR'S MANUAL, CALL TOLL FREE 1-800-288-5040

LwA

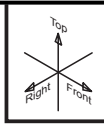
119 dB

FS9900D T3A BLADE GUARD ASSY - SLIP ON

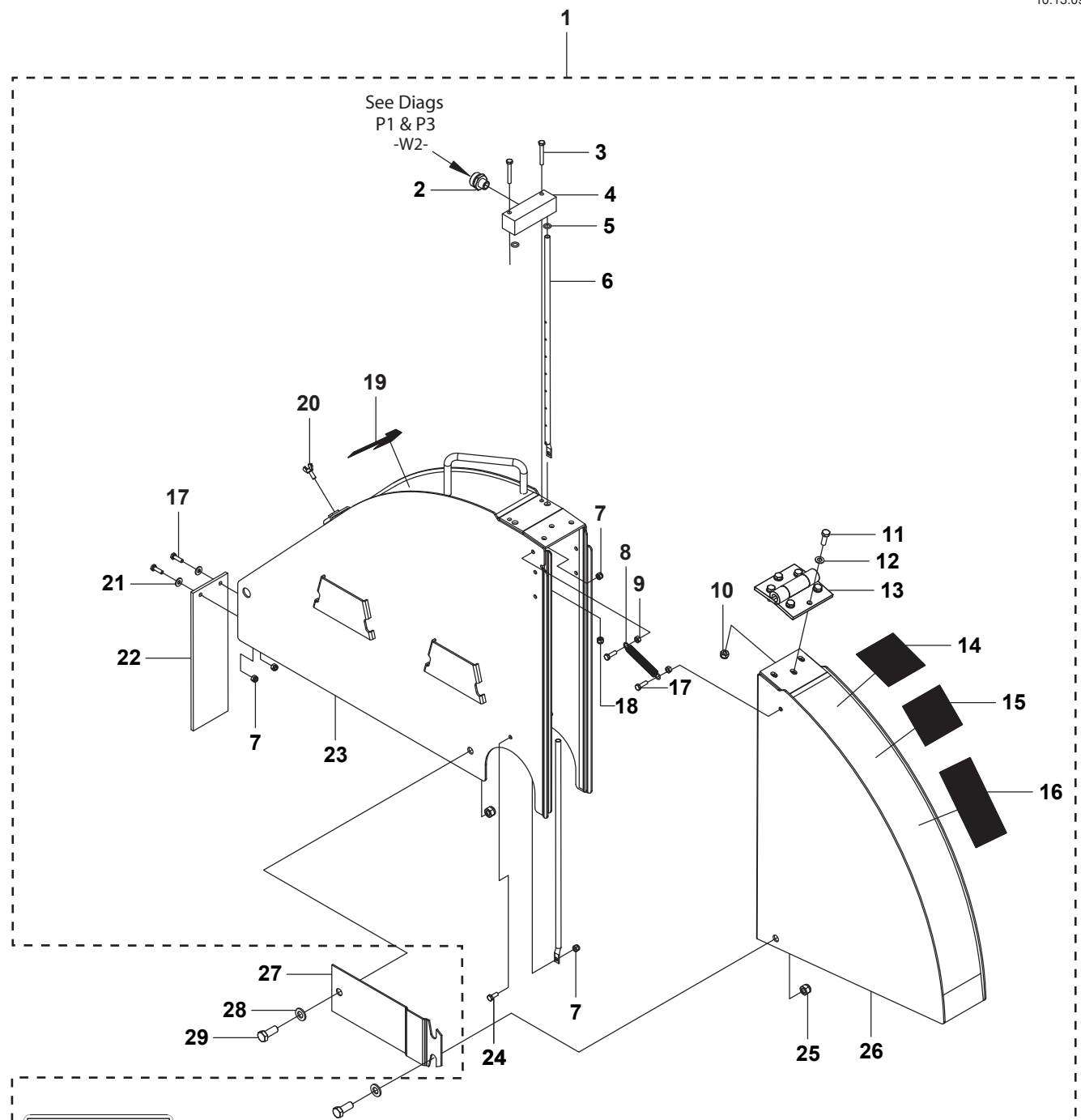
Pos.	Part No.	Description	Quantity	Notes	New Part
1	504 85 77-01	BLADE GUARD	1	20", 500mm, Incl. 2 - 31	
1	542 20 32-66	BLADE GUARD ASSY	1	26", 600mm, Incl. 2 - 31	
1	542 20 33-05	BLADE GUARD ASSY	1	30", 800mm, Incl. 2 - 31	
1	542 20 33-18	BLADE GUARD ASSY	1	36", 900mm, Incl. 2 - 31	
2	541 20 82-96	HYDRAULIC FIT	1		
3	725 23 79-51	SCREW	2		
4	501 04 73-01	MANIFOLD	1		
5	542 16 91-57	O-RING	2		
6	504 85 81-01	TUBE	2	20"	
6	501 04 68-02	TUBE	2	26"	
6	501 04 70-02	TUBE	2	30"	
6	501 04 71-02	TUBE	2	36"	
7	732 25 16-01	HEXAGON LOCKING NUT	4		
8	542 19 91-28	SPRING	2		
9	725 23 70-71	SCREW	4		
10	731 23 16-01	HEXAGON NUT	2		
11	732 25 18-01	HEXAGON LOCKING NUT	6		
12	725 24 53-76	SCREW	6		
13	734 11 63-01	WASHER	9		
14	542 19 51-27	HINGE BLADE GUARD	1		
15	542 04 61-28	DECAL	1		
16	542 16 72-98	DECAL	1		
17	725 23 68-71	SCREW	2		
18	542 19 60-29	DECAL	1	CE	
19	542 16 72-89	DECAL	1		
20	504 87 17-01	BLADE GUARD	1	20"	
20	542 20 32-58	BLADE GUARD REAR	1	26"	
20	542 20 32-97	BLADE GUARD REAR	1	30"	
20	542 20 33-10	BLADE GUARD REAR	1	36"	
21	542 19 71-70	WINGBOLT	1		
22	734 11 54-41	WASHER	2		
23	542 20 32-98	GUARD	1		
24	542 04 61-01	WASHER	2		
25	542 16 75-03	BOLT	2		
26	541 20 83-45	SPRING	2		
27	541 20 83-57	LATCH	2	20"	
27	542 16 68-16	LATCH	2		
28	542 19 11-42	LEAF PROTECTION	2	Incl. 29 - 30, Std on 26", 30" & 36"	
29	542 18 39-99	SCREW	1		
30	542 18 39-98	STRINGLE	1		
31	504 87 16-01	BLADE GUARD	1	20"	
31	542 20 32-64	BLADE GUARD FRONT	1	26"	
31	542 20 33-03	BLADE GUARD FRONT	1	30"	
31	542 20 33-16	BLADE GUARD FRONT	1	36"	
32	732 25 20-01	HEXAGON LOCKING NUT	2	26" - 36"	
33	542 20 33-35	COVER	1	26" - 36"	
34	734 11 72-01	WASHER	4	26" - 36"	
35	725 24 93-71	SCREW	2	26" - 36"	
36	541 20 84-40	PLATE	1	18" - 20"	
37	542 13 97-42	NUT	2	18" - 20"	
38	542 13 97-51	SCREW	2	18" - 20"	

X2 FS9900D T3A

Blade Guard Assy - 42" Slip-On



10.13.09



WARNING

DO NOT use a larger size blade guard without changing to the correct belt drive! Failure to comply could result in injury or death.

!NO use un protector de hoja de mayor tamaño sin cambiar el mando de correa correcto!
 !De no cumplirse esto se pueden producir lesiones graves o mortales!

NE PAS utiliser une protection de disque de plus grande taille sans changer en même temps la courroie d'entraînement ! Toute négligence à cet égard pourrait causer des blessures graves, voire mortelles !

Bei Verwendung einer größeren Sigelblattabdeckung MUSS der entsprechende Antrieb installiert werden! Andernfalls besteht Verletzungs- oder Lebensgefahr!

Gebruik GEEN grotere bladafdekking zonder de aandrijfriem aan te passen! Indien dit niet wordt nageliefd, zou dit tot een letsel of de dood kunnen leiden!

NON usare un riparo del disco di dimensioni più grandi senza cambiare anche la trasmissione del disco nella misura corretta! L'inosservanza di questa istruzione può causare infortuni o la morte!

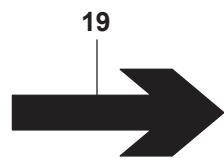
ANVÄND INTE ett bladskydd som är större utan att byta till rätt drivrem! Föresamma att följa dessa regler kan leda till skada eller död!

WARNING

DO NOT CHANGE TO A LARGER BLADE GUARD SIZE WITHOUT CHANGING TO PROPER BELT DRIVE, ENGINE SPEED AND BLADE FLANGES. FAILURE TO COMPLY COULD RESULT IN DEATH OR SERIOUS BODILY INJURY. SEE OPERATOR'S MANUAL FOR INSTRUCTIONS. IF YOU DO NOT HAVE AN OPERATOR'S MANUAL, CALL TOLL FREE 1-800-288-5040

LWA

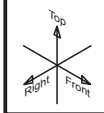
119 dB



FS9900D T3A BLADE GUARD ASSY 42" - SLIP ON

Pos.	Part No.	Description	Quantity	Notes	New Part
1	504 01 94-01	BLADE GUARD	1	42", 1000mm, Incl. 2 - 25	
2	541 20 82-96	HYDRAULIC FIT	1		
3	725 23 79-51	SCREW	2		
4	504 00 21-01	MANIFOLD	1		
5	542 16 91-57	O-RING	2		
6	504 01 90-02	TUBE	2		
7	732 25 16-01	HEXAGON LOCKING NUT	6		
8	542 19 91-28	SPRING	2		
9	731 23 16-01	HEXAGON NUT	2		
10	732 25 18-01	HEXAGON LOCKING NUT	2		
11	725 24 53-76	SCREW	6		
12	734 11 63-01	WASHER	9		
13	542 04 91-54	HINGE BLADE GUARD	1		
14	542 19 60-29	DECAL	1	CE	
15	542 04 61-28	DECAL	1		
16	542 16 72-98	DECAL	1		
17	725 23 70-71	SCREW	4		
18	542 16 39-86	DECAL	1		
19	542 19 71-70	WINGBOLT	1		
20	734 11 54-41	WASHER	2		
21	542 16 32-75	SPLASH GUARD	1		
22	504 01 82-02	BLADE GUARD	1		
23	725 23 66-71	SCREW	2		
24	732 25 22-01	HEXAGON LOCKING NUT	2		
25	504 01 91-02	BLADE GUARD	1		
26	541 20 84-61	SHAFT COVER	1	CE	
27	734 11 78-01	WASHER	2		
28	725 25 32-71	SCREW	2		

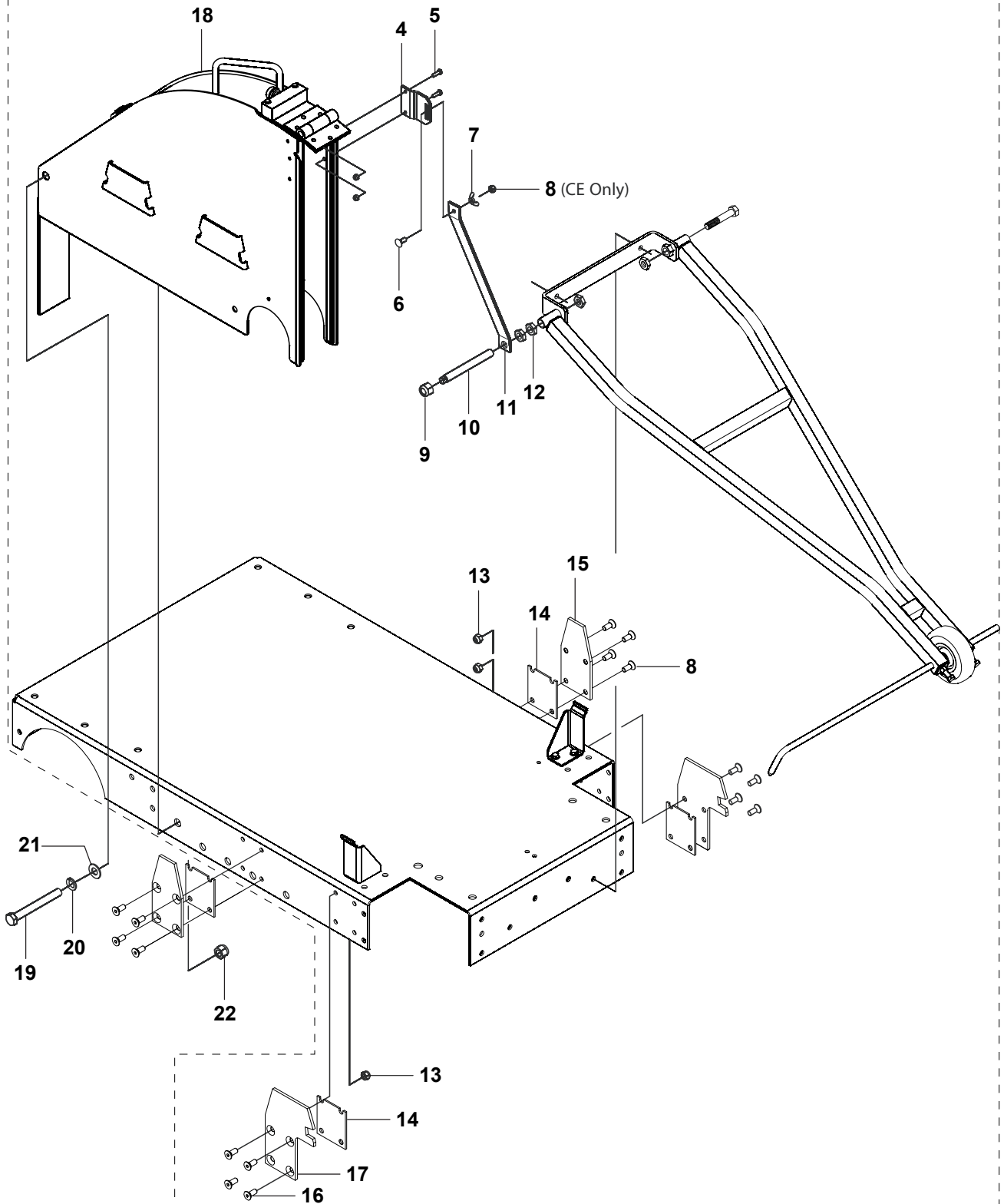
X3 FS9900D T3A Blade Guard Attachment - 42"



Flange Cover w/ Hardware - See Diag X2

1

2

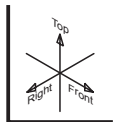


FS9900D T3A BLADE GUARD ATTACHMENT 42"

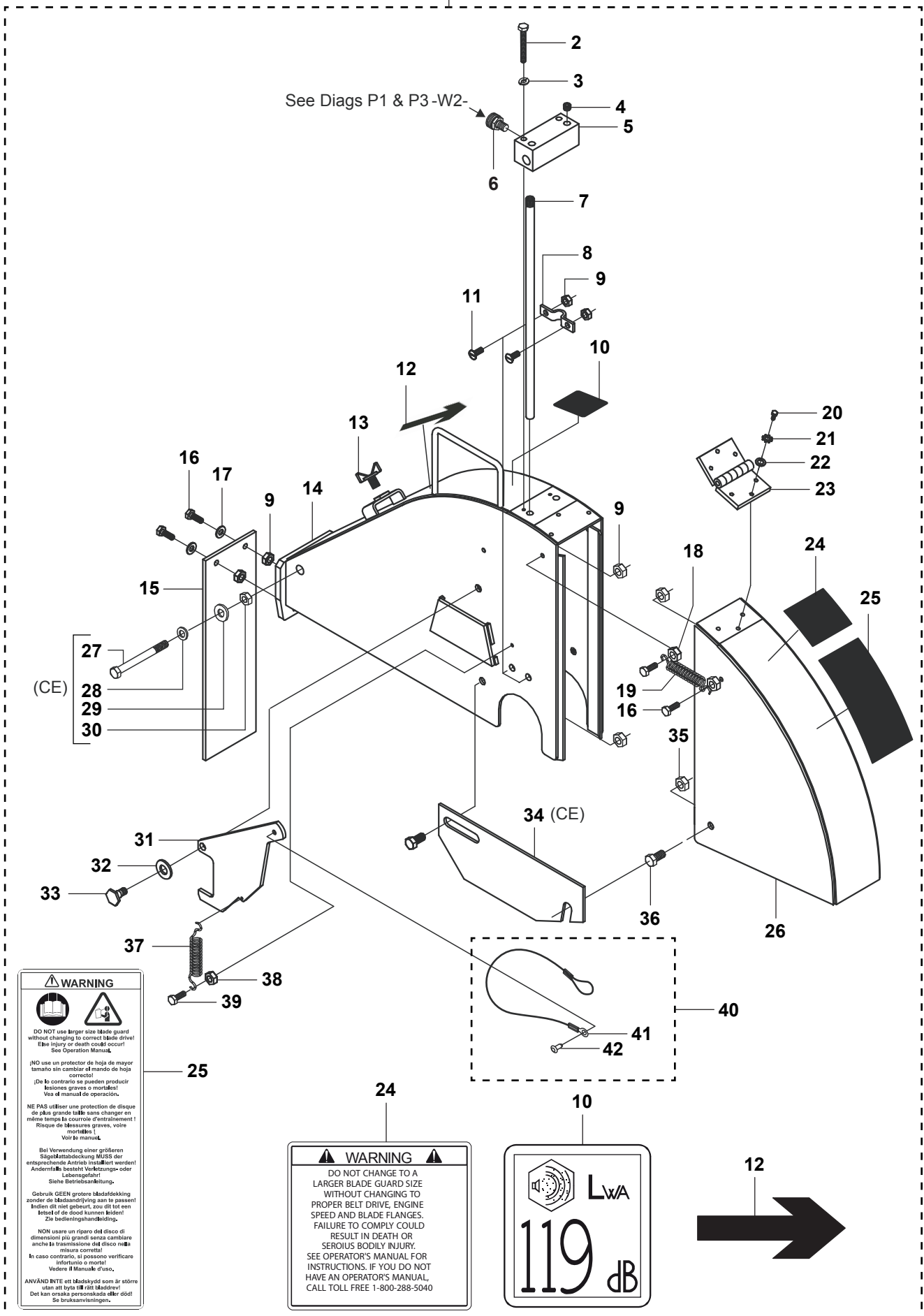
Pos.	Part No.	Description	Quantity	Notes	New Part
1	504 55 83-01	BLADE GUARD KIT	1	42", 1000mm, Incl. 2 - 22	
2	504 55 84-01	BLADE GUARD	1	Incl. 3 - 18	
3	732 25 16-01	HEXAGON LOCKING NUT	2		
4	504 54 29-01	BLADE GUARD BRACKET	1		
5	725 23 70-71	SCREW	2		
6	542 13 97-64	SCREW	1		
7	542 07 20-86	WING NUT	1		
8	732 25 18-01	HEXAGON LOCKING NUT	1		
9	542 16 74-48	NUT	1		
10	504 54 43-01	ROD	1		
11	504 54 39-01	BRACKET	1		
12	542 18 11-09	NUT	3		
13	732 25 20-01	HEXAGON LOCKING NUT	12		
14	541 20 84-31	SPACER	4		
15	504 83 94-01	SPADE	2		
16	725 64 93-55	SCREW	16		
17	541 20 84-63	SPADE	1	LH	
17	541 20 84-64	SPADE	1	RH	
18	504 01 94-01	BLADE GUARD	1	42"	
19	542 19 96-91	SCREW	1		
20	542 19 19-62	WASHER	1		
21	539 97 69-82	WASHER	1		
22	576 87 89-28	NUT	1		

X4 FS9900D T3A

Blade Guard - 18"



10.13.09



WARNING

DO NOT use larger size blade guard without changing to correct blade drive! Else injury or death could occur! See Operation Manual.

NO use un protector de hoja de mayor tamaño sin cambiar el mando de hoja correcto! (De lo contrario se pueden producir lesiones graves o mortales! Vea el manual de operación.

NE PAS utiliser une protection de disque de plus grande taille sans changer en même temps la courroie d'entraînement! Risque de blessures graves, voire mortelles! Voir le manuel.

Bei Verwendung einer größeren Säge-Abdeckung MUSS der entsprechende Antrieb installiert werden! Andernfalls besteht Verletzungs- oder Lebensgefahr! Siehe Betriebsanleitung.

Gebruik GEEN grotere bladdekking zonder de aandrijving aan te passen! Indien dit niet gebeurt, zou dit tot een letsel of de dood kunnen leiden! Zie bedieningshandleiding.

NON usare un riparo del disco di dimensioni più grandi senza cambiare anche la trasmissione del disco nella misura corretta! In caso contrario, si possono verificare infortuni o morte! Vedere il Manuale d'uso.

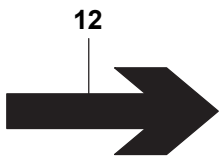
ANVÄND INTE ett bladskydd som är större utan att byta till rätt bladdriv! Det kan orsaka personskada eller död! Se bruksanvisningen.

WARNING

DO NOT CHANGE TO A LARGER BLADE GUARD SIZE WITHOUT CHANGING TO PROPER BELT DRIVE, ENGINE SPEED AND BLADE FLANGES. FAILURE TO COMPLY COULD RESULT IN DEATH OR SERIOUS BODILY INJURY. SEE OPERATOR'S MANUAL FOR INSTRUCTIONS. IF YOU DO NOT HAVE AN OPERATOR'S MANUAL, CALL TOLL FREE 1-800-288-5040

LWA

119 dB

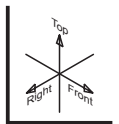


FS9900D T3A BLADE GUARD 18"

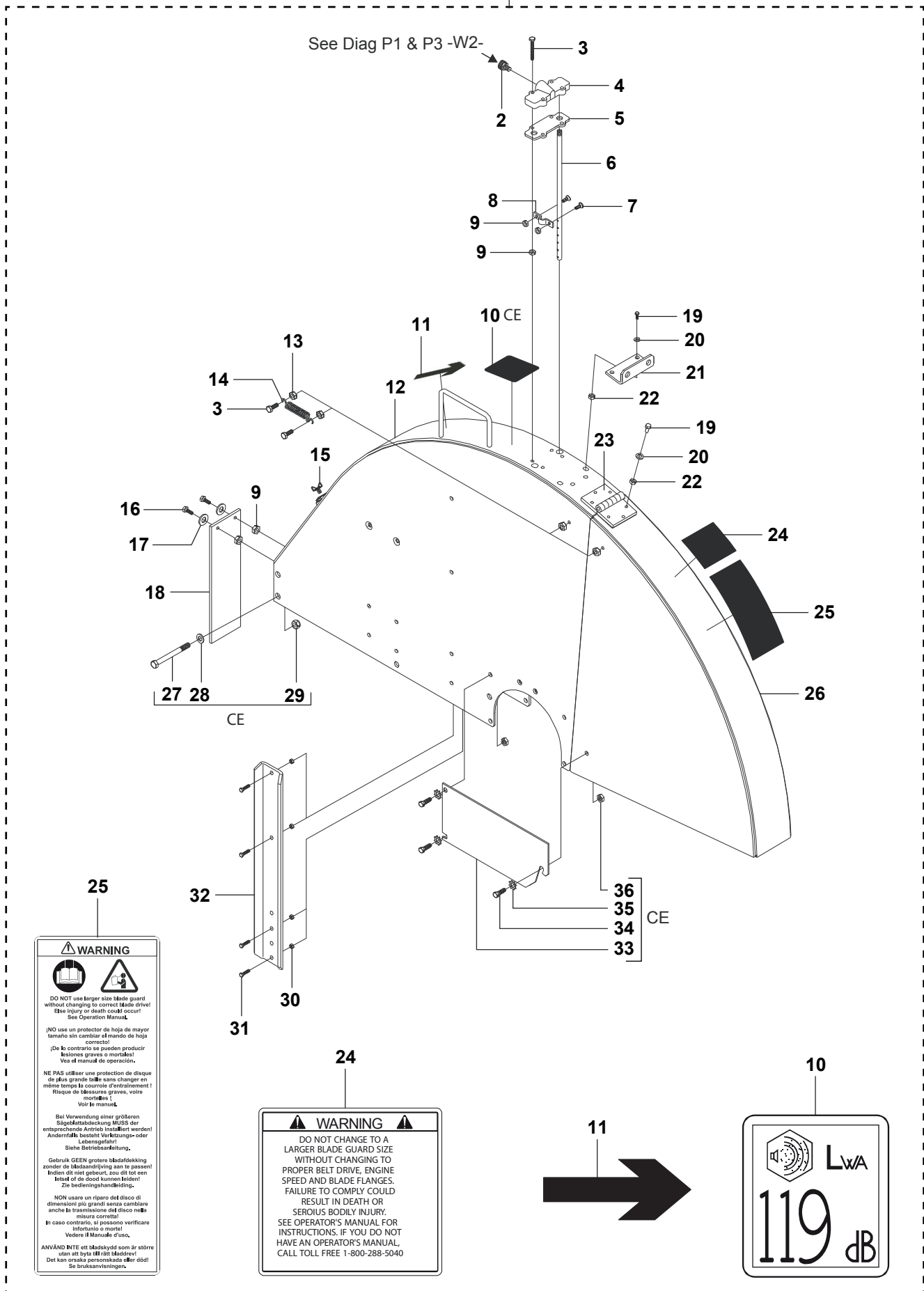
Pos.	Part No.	Description	Quantity	Notes	New Part
1	542 19 87-78	BLADE GUARD ASSY	1	18", 450mm, Incl. 2 - 42	
2	725 23 79-51	SCREW	2		
3	735 11 53-01	WASHER	2		
4	542 02 08-64	SCREW	2		
5	542 16 67-50	MANNIFOLD ASSY	1		
6	541 20 82-96	HYDRAULIC FIT	1		
7	542 16 69-86	WATER TUBE	2		
8	542 16 33-95	HOLDER	2		
9	542 13 97-45	LOCK NUT	10		
10	542 19 60-29	DECAL	1	CE	
11	542 16 78-18	SCREW	4		
12	542 16 72-89	DECAL	1		
13	542 19 71-70	WINGBOLT	1		
14	541 20 84-47	BLADE GUARD REAR	1		
15	542 16 32-75	SPLASH GUARD	1		
16	725 23 70-71	SCREW	2		
17	734 11 52-01	WASHER	2		
18	542 17 20-17	NUT	4		
19	542 19 91-28	SPRING	2		
20	725 24 51-71	SCREW	6		
21	542 17 30-19	STAR WASHER	6		
22	734 11 63-01	WASHER	6		
23	542 19 51-27	HINGE BLADE GUARD	1		
24	542 04 61-28	DECAL	1		
25	542 16 72-98	DECAL	1		
26	541 20 84-48	BLADE GUARD FRONT	1		
27	542 16 69-57	SCREW	1	CE	
28	542 19 19-62	WASHER	1		
29	539 97 69-82	WASHER	1		
30	576 87 89-28	NUT	1		
31	542 16 68-16	LATCH	2		
32	542 04 61-01	WASHER	2		
33	542 16 75-03	BOLT	2		
34	541 20 84-40	PLATTE	1	CE	
35	542 13 97-42	NUT	2	CE	
36	542 13 97-51	SCREW	2	CE	
37	541 20 83-45	SPRING	2		
38	731 23 14-01	HEXAGON NUT	2		
39	725 23 31-71	SCREW	2		
40	542 19 11-42	LATCH KIT	2	Incl. 41 - 42	
41	542 18 39-98	LEAF PROTECTION	1		
42	542 18 39-99	SCREW	1		

X5 FS9900D T3A

Blade Guard - 48" Bolt-On



10.27.09



WARNING

DO NOT use larger size blade guard without changing to correct blade drive! Else injury or death could occur! See Operation Manual.

NO use a protector de hoja de mayor tamaño sin cambiar el mando de hoja correcto!

De lo contrario se pueden producir lesiones graves o mortales! Vea el manual de operación.

NE PAS utiliser une protection de disque de plus grande taille sans changer en même temps le courroie d'entraînement! Risque de blessures graves, voire mortelles! Voir le manuel.

Bei Verwendung einer größeren Sägeblattabdeckung MUSS der entsprechende Antrieb installiert werden! Andernfalls besteht Verletzungs- oder Lebensgefahr! Siehe Betriebsanleitung.

Gebruik GEEN grotere bladafdekking zonder de bladandriving aan te passen! Indien dit niet gebeurt, zou dit tot een letsel of de dood kunnen leiden! Zie bedieningshandleiding.

NON usare un riparo del disco di dimensioni più grandi senza cambiare anche la trasmissione del disco nella misura corretta!

In caso contrario, si possono verificare infortuni o morte. Vedere il Manuale d'uso.

ANVÄND INTE ett bladskydd som är större utan att byta till rätt bladdriv! Det kan orsaka personskada eller död! Se bruksanvisningen.

WARNING

DO NOT CHANGE TO A LARGER BLADE GUARD SIZE WITHOUT CHANGING TO PROPER BELT DRIVE, ENGINE SPEED AND BLADE FLANGES. FAILURE TO COMPLY COULD RESULT IN DEATH OR SERIOUS BODILY INJURY. SEE OPERATOR'S MANUAL FOR INSTRUCTIONS. IF YOU DO NOT HAVE AN OPERATOR'S MANUAL, CALL TOLL FREE 1-800-288-5040

LWA

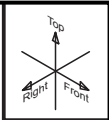
119 dB

FS9900D T3A BLADE GUARD 18"

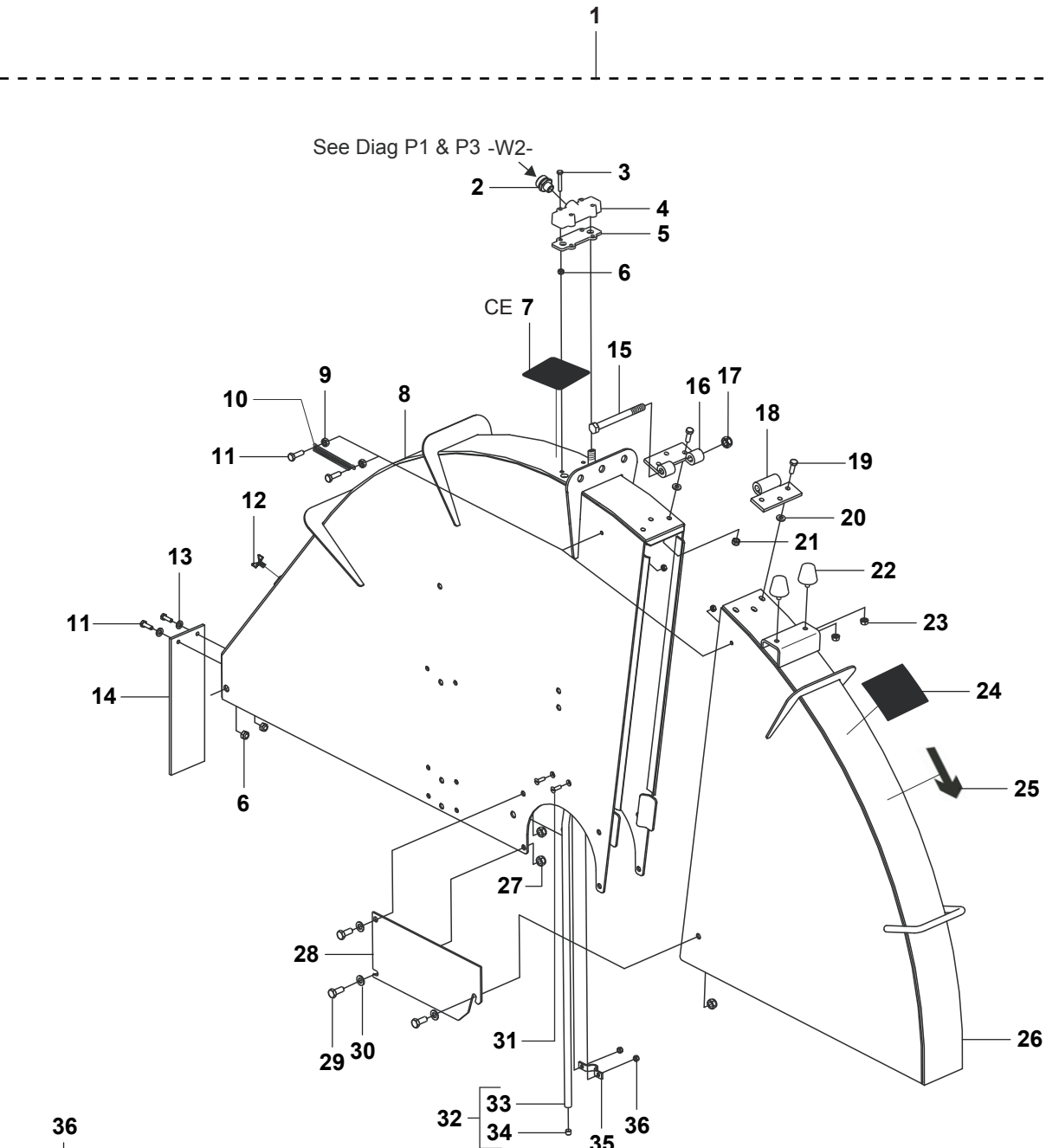
Pos.	Part No.	Description	Quantity	Notes	New Part
1	542 20 33-31	BLADE GUARD	1	18", 1200mm, Incl. 2 - 36	
2	541 20 82-96	HYDRAULIC FIT	1		
3	542 13 97-61	SCREW	6		
4	542 04 91-96	MANIFOLD	1		
5	542 04 92-06	GASKET	1		
6	542 16 69-42	WATER TUBE	2		
7	542 13 97-60	SCREW	4		
8	542 04 92-12	SUPPORT	2		
9	732 25 16-01	HEXAGON LOCKING NUT	12		
10	542 19 60-29	DECAL	1	CE	
11	542 16 39-86	DECAL	1		
12	541 20 84-42	BLADE GUARD REAR	1		
13	542 17 20-17	NUT	4		
14	542 19 91-28	SPRING	2		
16	725 23 70-71	SCREW	4		
15	542 19 71-70	WINGBOLT	1		
17	734 11 52-01	WASHER	2		
18	542 16 32-75	SPLASH GUARD	1		
19	725 24 53-71	SCREW	10		
20	734 11 63-01	WASHER	10		
21	541 20 84-84	BRACKET	1		
22	542 13 97-38	NUT	10		
23	542 04 91-54	HINGE BLADE GUARD	1		
24	542 04 61-28	DECAL	1		
25	542 16 72-98	DECAL	1		
26	542 17 72-74	BLADE GUARD FRONT	1		
27	542 16 75-32	SCREW	1		
28	734 11 78-01	WASHER	1		
29	732 25 22-01	HEXAGON LOCKING NUT	1		
30	732 25 20-01	HEXAGON LOCKING NUT	4		
31	725 24 95-71	SCREW	4		
32	541 20 84-57	GUARD	1		
33	541 20 84-52	LATCH	1	CE	
34	725 24 49-71	SCREW	3	CE	
35	542 17 30-19	STAR WASHER	3	CE	
36	731 23 18-01	HEXAGON NUT	3	CE	

X6 FS9900D T3A

Blade Guard - 60" Bolt-On - FS9900



10.13.09



See Diag P1 & P3 -W2-

WARNING

DO NOT use a larger size blade guard without changing to correct blade drive! Injury or death could occur! See Operator Manual.

NO use un protector de hoja de mayor tamaño sin cambiar el mando de hoja corrector!
(De lo contrario se pueden producir lesiones graves o mortales!)
Vea el manual de operación.

NE PAS utiliser une protection de disque de plus grande taille sans changer en même temps le courroie d'entraînement !
Risque de blessures graves, voire mortelles !
Voir le manuel.

Bei Verwendung einer größeren Sägeblattabdeckung MUSS der entsprechende Antrieb installiert werden!
Andernfalls besteht Verletzungs- oder Lebensgefahr!
Siehe Betriebsanleitung.

Gebruik GEEN grotere bladafdekking zonder de aandrijving aan te passen!
Indien dit niet gebeurt, zou dit tot een letsel of de dood kunnen leiden!
Zie bedieningshandleiding.

NON usare un riparo del disco di dimensioni più grandi senza cambiare anche la trasmissione del disco nella misura corretta!
In caso contrario, si possono verificare infortuni o morte!
Vedere il Manuale d'uso.

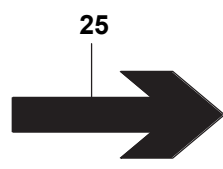
ANVÄND INTE ett bladskydd som är större utan att byta till rätt bladdriv!
Det kan orsaka personskada eller död!
Se bruksanvisningen.

WARNING

DO NOT CHANGE TO A LARGER BLADE GUARD SIZE WITHOUT CHANGING TO PROPER BELT DRIVE, ENGINE SPEED AND BLADE FLANGES. FAILURE TO COMPLY COULD RESULT IN DEATH OR SERIOUS BODILY INJURY. SEE OPERATOR'S MANUAL FOR INSTRUCTIONS. IF YOU DO NOT HAVE AN OPERATOR'S MANUAL, CALL TOLL FREE 1-800-288-5040

7 CE

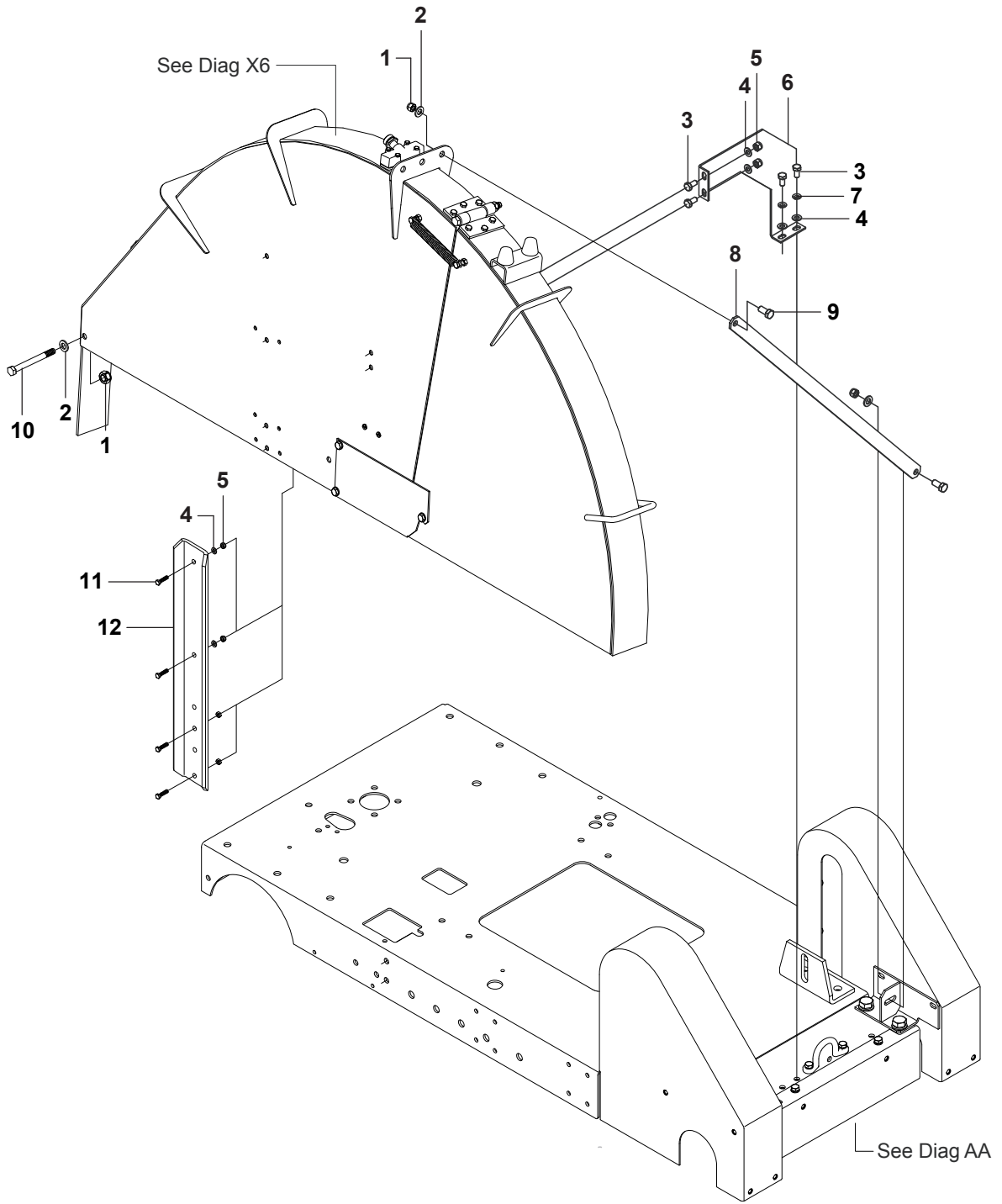
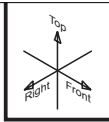
119 dB



FS9900D T3A BLADE GUARD 16" BOLT-ON

Pos.	Part No.	Description	Quantity	Notes	New Part
1	542 19 81-91	BLADE GUARD ASSY	1	60", 1500mm, Incl. 2 - 6, 8 - 36	
2	541 20 82-96	HYDRAULIC FIT	1		
3	725 23 78-51	SCREW	4		
4	542 04 91-96	MANIFOLD	1		
5	542 04 92-06	GASKET	1		
6	732 25 16-01	HEXAGON LOCKING NUT	10		
7	542 19 60-29	DECAL	1	CE	
8	541 20 84-54	BLADE GUARD REAR	1		
9	542 17 20-17	NUT	4		
10	542 19 91-28	SPRING	2		
11	725 23 70-71	SCREW	4		
12	542 19 71-70	WINGBOLT	1		
13	734 11 52-01	WASHER	2		
14	542 16 32-75	SPLASH GUARD	1		
15	541 20 49-38	BOLT	1		
16	542 19 81-02	HINGE HALF OUTER	1		
17	539 10 13-31	NUT	1		
18	542 19 81-03	HINGE HALF INNER	1		
19	542 16 74-78	SCREW	6		
20	734 11 63-01	WASHER	6		
21	732 25 18-01	HEXAGON LOCKING NUT	6		
22	542 19 10-75	RUBBER BUMPER	2		
23	542 03 23-66	SCREW	2		
24	542 04 61-28	DECAL	1		
25	542 16 39-86	DECAL	1		
26	541 20 84-55	BLADE GUARD FRONT	1		
27	732 25 20-01	HEXAGON LOCKING NUT	3		
28	541 20 84-52	LATCH	1		
29	725 24 93-71	SCREW	3		
30	541 20 57-94	WASHER	3		
31	542 13 97-60	SCREW	4		
32	542 19 18-44	WATER TUBE ASSY	2	Incl. 33 - 34	
33	542 19 18-45	TUBE	2		
34	542 02 08-64	SCREW	2		
35	542 04 92-12	SUPPORT	2		
36	542 16 72-98	DECAL	1		

X7 FS9900D T3A Blade Guard Attachment - 60" - FS9900

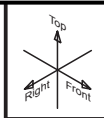


FS9900D T3A BLADE GUARD ATTACHMENT 60"

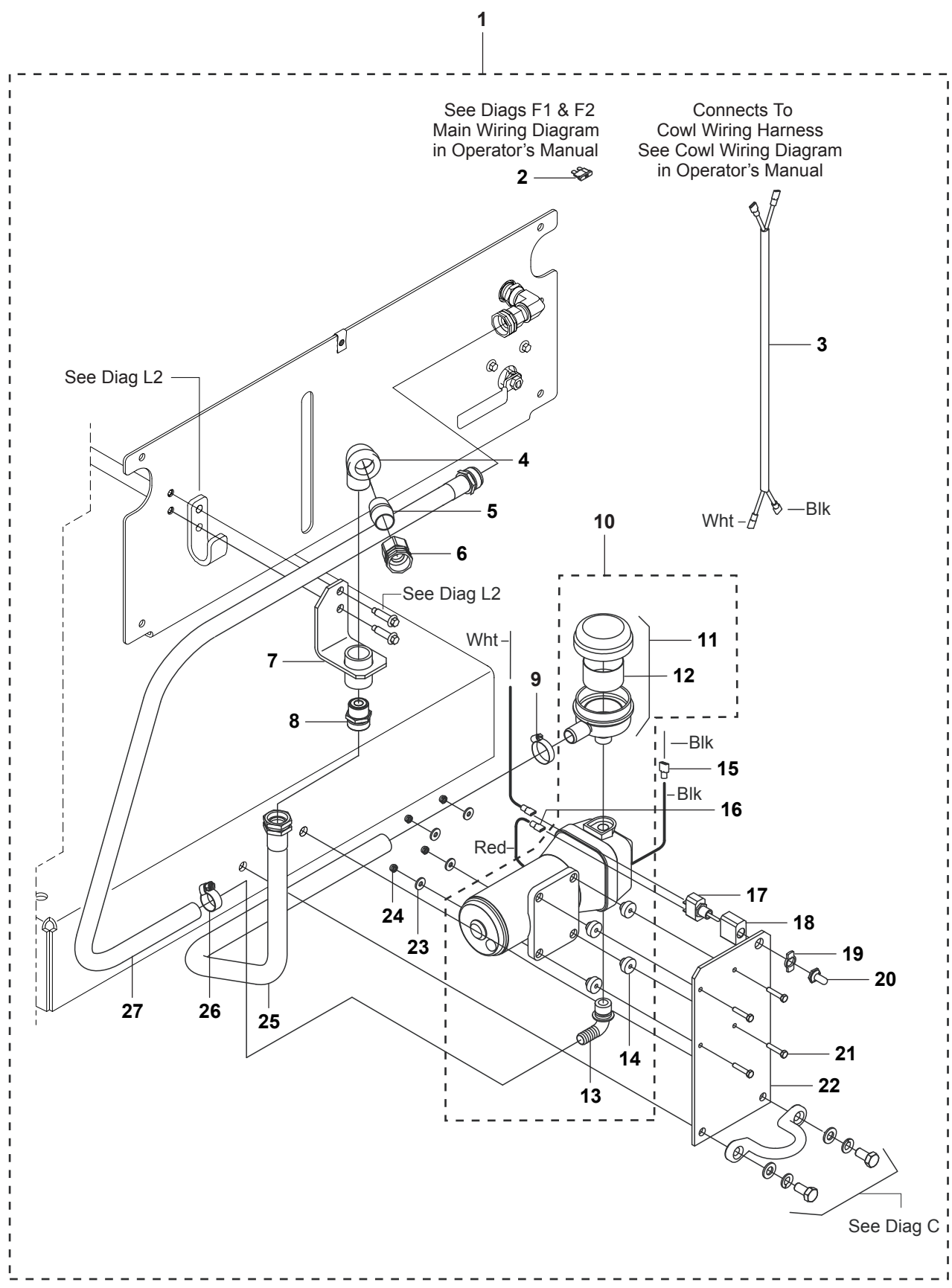
Pos.	Part No.	Description	Quantity	Notes	New Part
1	732 25 22-01	HEXAGON LOCKING NUT	3		
2	734 11 78-01	WASHER	3		
3	725 24 93-71	SCREW	4		
4	734 11 72-01	WASHER	4		
5	732 25 20-01	HEXAGON LOCKING NUT	6		
6	502 86 02-01	BRACKET	1		
7	735 11 73-01	SPRING WASHER	2		
8	541 20 84-73	BRACE	1		
9	725 25 34-71	SCREW	2		
10	542 16 75-32	SCREW	1		
11	725 24 95-71	SCREW	4		
12	541 20 84-57	BRACE	1		

Y

FS9900D T3A Water Pump Kit



06.03.09

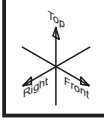


Page Y

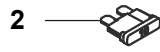
FS9900D T3A WATER PUMP KIT

Pos.	Part No.	Description	Quantity	Notes	New Part
1	542 19 96-26	WATER PUMP ASSY	1	Incl. 2 - 27	
2	542 16 68-55	FUSE	1		
3	542 19 96-71	CABLE	1		
4	541 20 45-91	PIPE	1		
5	542 02 02-96	TUBE	1		
6	541 20 46-61	CONNECTION	1		
7	542 19 96-52	HOLDER	1		
8	542 17 86-87	CONNECTION	1		
9	539 30 00-11	CLAMP	1		
10	542 19 96-37	WATER PUMP	1	Incl. 11 - 14	
11	542 19 96-41	INLET FILTER	1		
12	542 19 96-43	STRAINER SCREEN	1		
13	542 19 96-39	FITTING	1		
14	542 19 96-40	GROMMET KIT	1		
15	542 16 43-70	CABLE SHOE	1		
16	542 17 70-56	CLAMP	1		
17	542 19 96-48	SWITCH	1		
18	542 19 96-49	SWITCH	1		
19	542 09 05-52	PLATTE	1		
20	539 30 01-13	SWITCH BOOT	1		
21	725 23 33-71	SCREW	4		
22	542 19 96-46	PLATE	1		
23	542 17 30-47	WASHER	4		
24	732 25 14-01	HEXAGON LOCKING NUT	4		
25	542 19 96-58	HOSE	1		
26	576 31 52-05	HOSE CLAMP	1		
27	542 19 96-57	HOSE	1		

Z FS9900D T3A Dual Light Kit



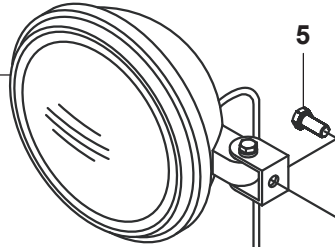
1



See
Main Wiring Diagram
in Operator's Manual

3

5



6

7

8

9

10

11

12

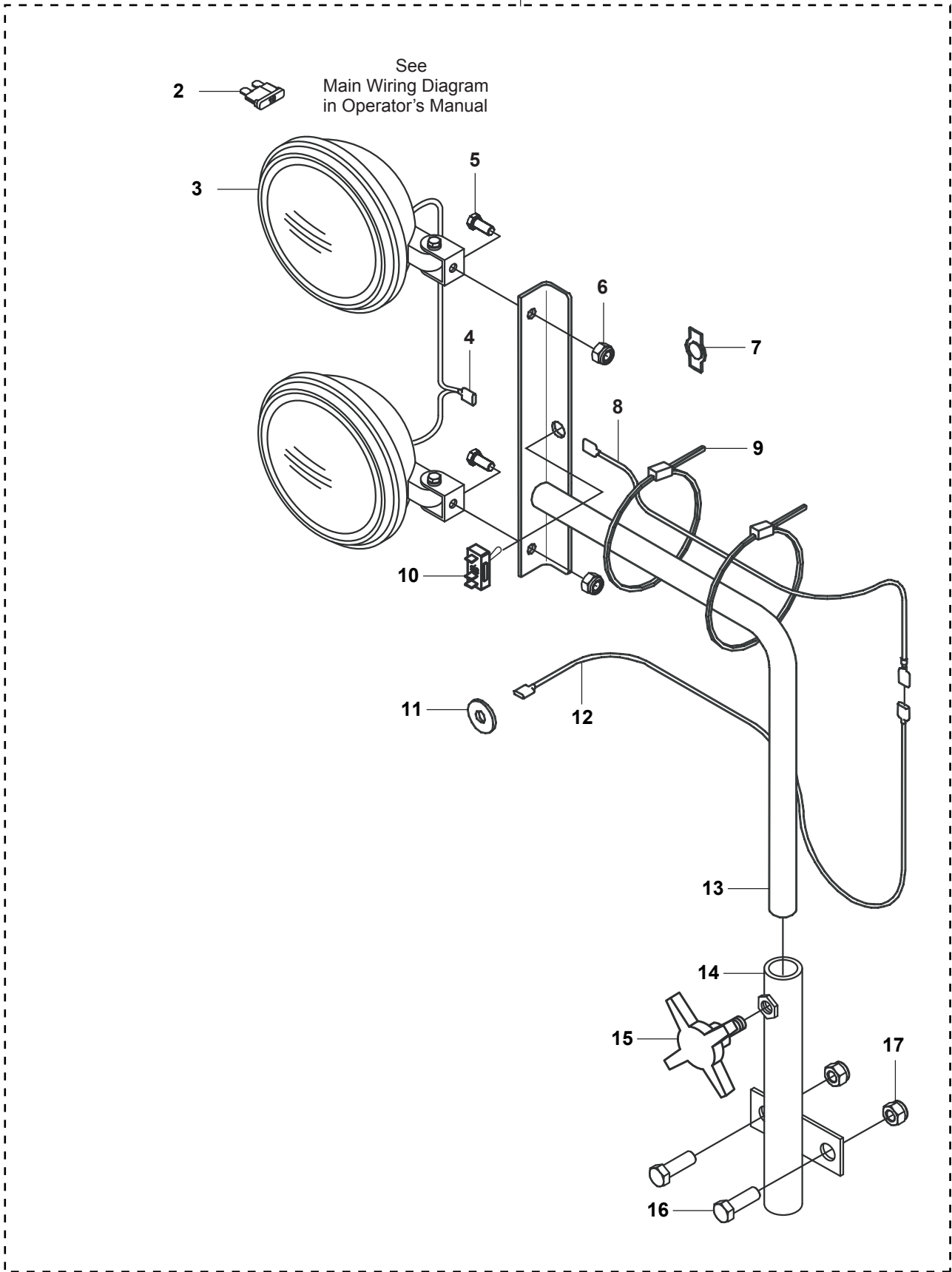
13

14

15

17

16

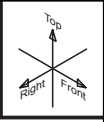


Page Z

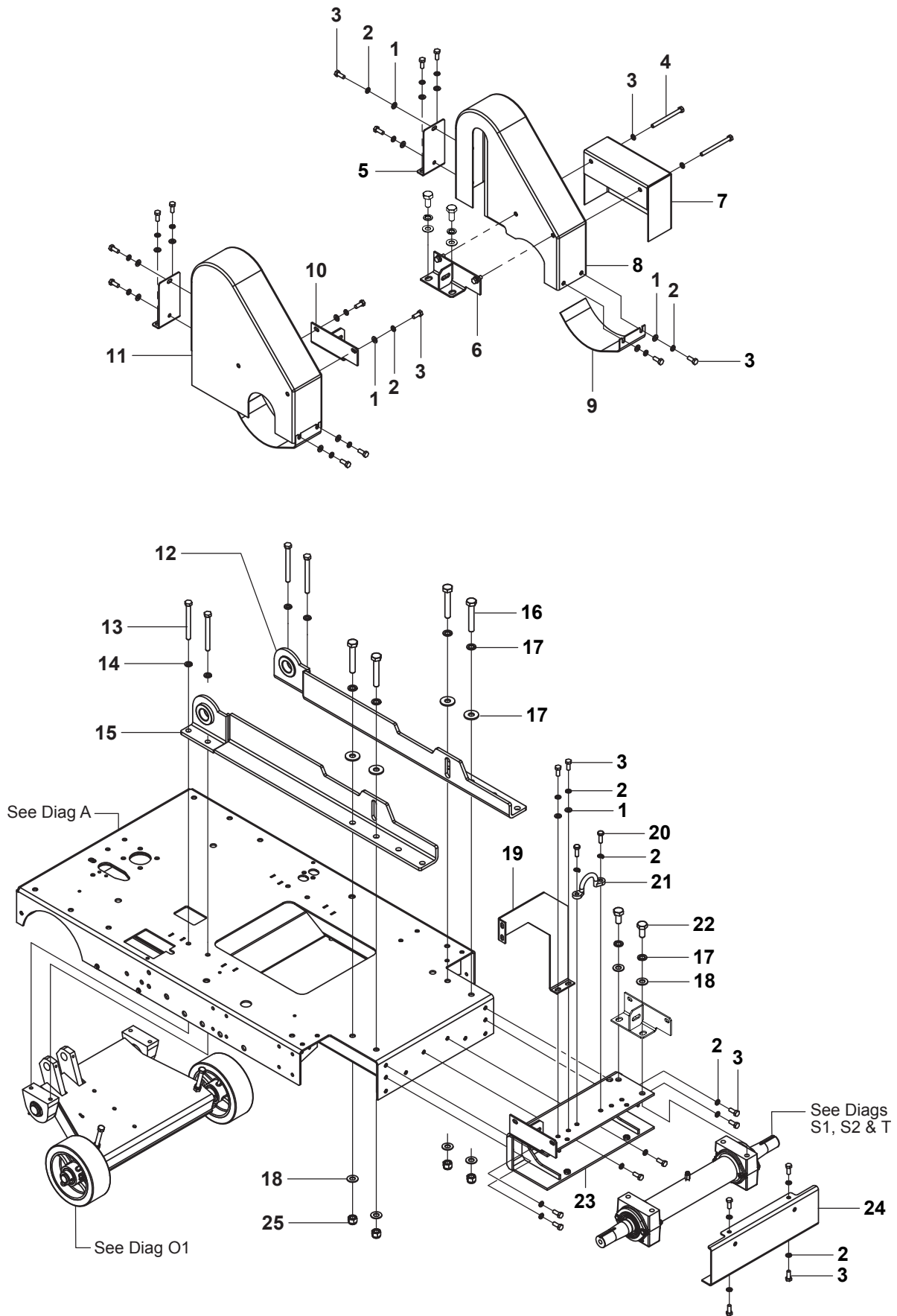
FS9900D T3A DUAL LIGHT KIT

Pos.	Part No.	Description	Quantity	Notes	New Part
1	542 18 11-17	SPOTLIGHT KIT	1	Incl. 2 - 17	
2	542 16 68-55	FUSE	2		
3	504 85 56-01	LAMP	2		
4	542 17 70-56	TERMINAL BLOCK	1		
5	539 97 69-34	SCREW	2		
6	539 99 07-17	NUT	2		
7	542 09 05-52	PLATTE	1		
8	542 18 11-27	CABLE	1		
9	542 19 71-01	CABLE STRAP	2		
10	541 20 19-76	SWITCH	1		
11	541 20 05-23	GROMMET	1		
12	542 18 11-26	CABLE	1		
13	542 18 11-20	PIPE	1		
14	542 18 11-18	PIPE	1		
15	542 16 60-38	KNOB	1		
16	725 25 34-71	SCREW	2		
17	732 25 22-01	HEXAGON LOCKING NUT	2		

AA FS9900D T3A Frame Extension- 60"



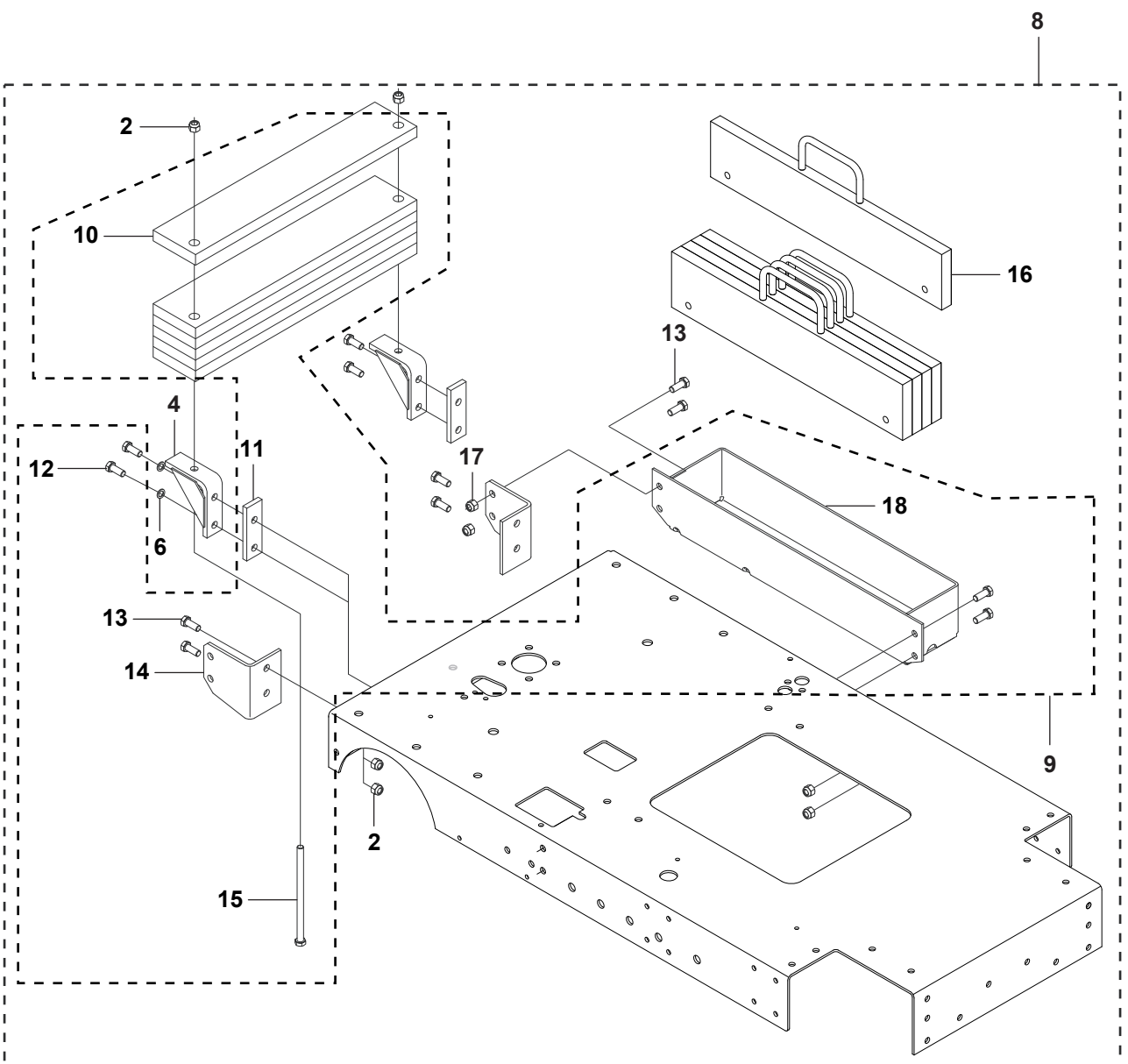
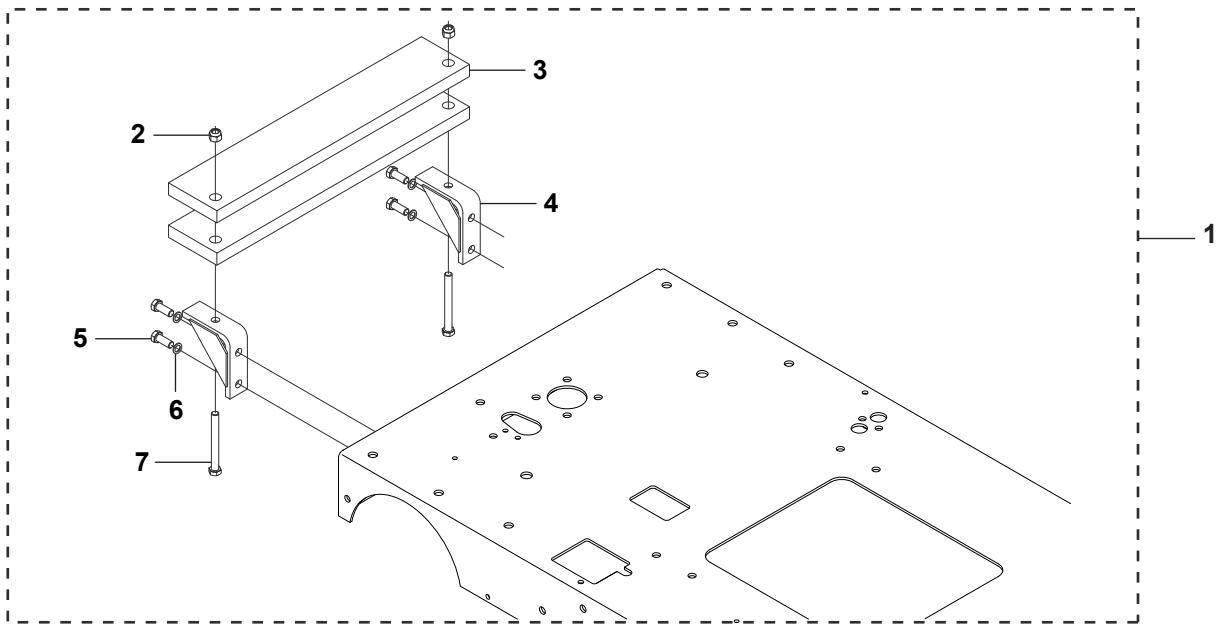
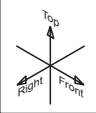
10.27.09



Pos.	Part No.	Description	Quantity	Notes	New Part
1	734 11 72-01	WASHER	18		
2	735 11 73-01	SPRING WASHER	34		
3	725 24 93-71	SCREW	28		
4	725 25 15-51	SCREW	2		
5	541 20 84-75	ANGLE	2		
6	522 74 40-01	GUARD	1	LH	
7	502 53 13-01	FLANGE	1		
8	502 86 01-01	BELT GUARD	1	LH, 3-Spd	
8	541 20 84-70	BELT GUARD	1	LH, 1-Spd	
9	542 19 97-23	BELT SCUFF PLATE	2		
10	522 74 39-01	GUARD	1	RH	
11	541 20 84-68	BELT GUARD	1	RH, 1-Spd	
11	502 86 01-01	BELT GUARD	1	RH, 3-Spd	
12	516 02 95-01	FRAME	1	LH	
13	541 20 49-38	BOLT	4		
14	539 99 02-54	WASHER	4		
15	516 02 99-01	FRAME	1	RH	
16	542 16 63-56	SCREW	1		
17	542 19 19-62	WASHER	8		
18	539 97 69-82	WASHER	12		
19	502 86 02-01	BRACKET	1		
20	725 24 95-71	SCREW	2		
21	504 58 03-02	LOOP	1		
22	542 18 38-78	SCREW	4		
23	541 20 84-60	FRAME EXTENSION	1		
24	516 03 06-01	COVER	1		
25	576 87 89-28	NUT	1		

AB FS9900D T3A

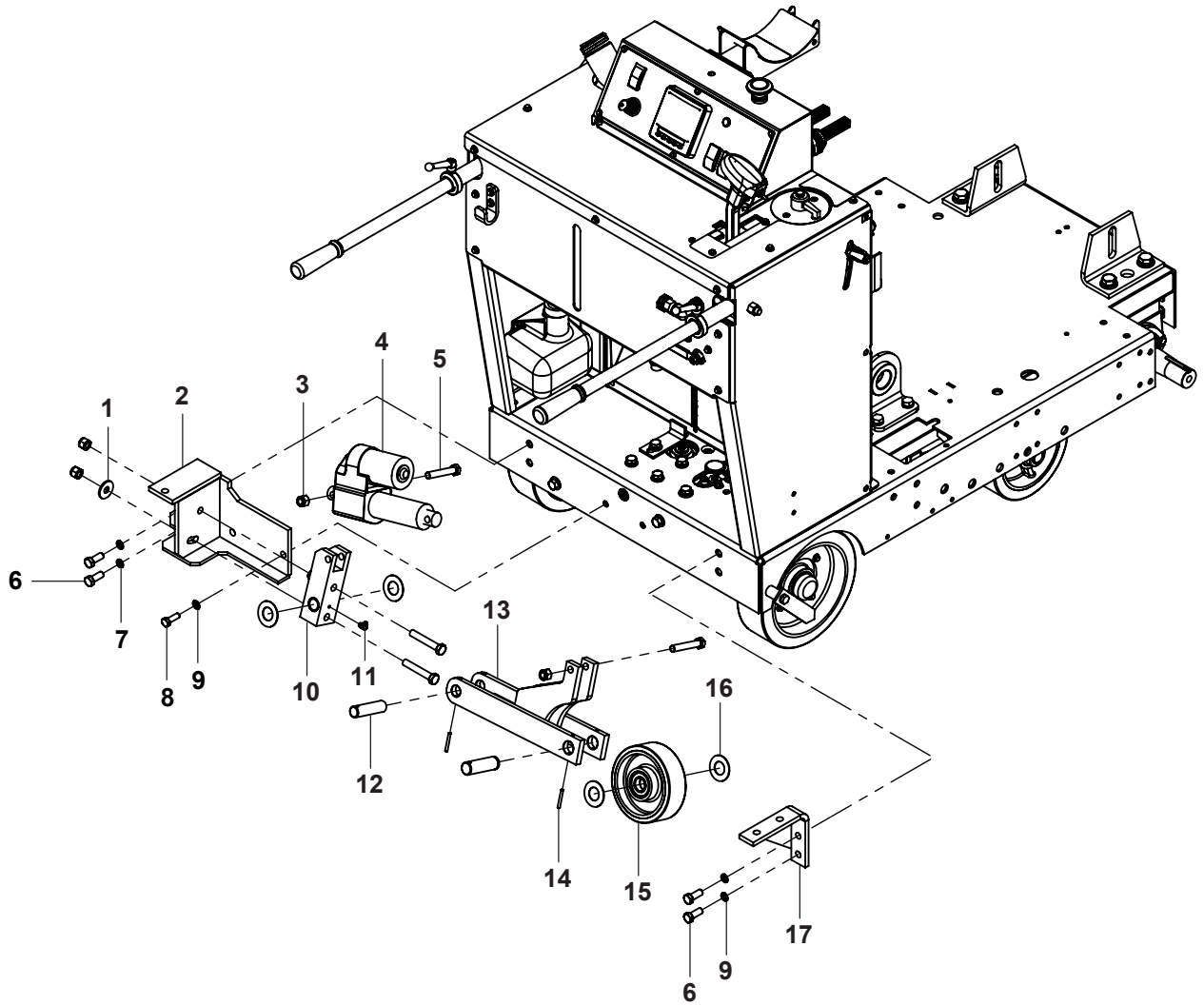
Weight Kits - 42", 48" & 60"



Page AB**FS9900D T3A WEIGHT KITS 42", 48", 60"**

Pos.	Part No.	Description	Quantity	Notes	New Part
4	542 13 80-59	BRACKET WEIGHT	6		
1	542 19 61-71	WEIGHT	1	48", 60", 1 Bar, Incl. 2 - 7	
1	542 19 61-72	WEIGHT	1	42", 2 Bar, Incl. 2 - 7	
2	732 25 22-01	HEXAGON LOCKING NUT	8		
3	542 16 39-27	WEIGHT	1/2	1 Bar/2 Bar	
5	725 25 41-71	SCREW	4		
6	735 11 78-01	WASHER	8		
7	542 16 74-44	SCREW	2	42"	
7	725 25 42-71	SCREW	1	48", 60"	
8	542 19 97-57	WEIGHT KIT	1	60", Incl. 9 - 18	
9	542 19 80-22	WEIGHT KIT	1	48", Incl. 10 - 15, 18	
10	542 16 39-27	WEIGHT	3/6	48"/60"	
11	542 16 69-34	SPACER	2		
12	542 16 75-64	SCREW	4		
13	725 25 36-71	SCREW	8		
14	542 19 97-53	BRACKET WEIGHT BOX	1	LH	
14	542 19 97-55	BRCKTET WEIGHT BOX	1	RH	
15	542 16 76-31	SCREW	2	48"	
15	542 17 67-52	SCREW	2	60"	
16	542 19 81-00	WEIGHT HANDLE	5		
17	725 25 52-51	SCREW	2	48"	
18	542 19 17-96	WEIGHT BOX	1		

AC FS9900D T3A
5TH WHEEL



Pos.	Part No.	Description	Quantity	Notes	New Part
1	539 99 02-50	WASHER	1		
2	575 63 12-01	BRACKET	1		
3	542 02 02-01	SCREW	4		
4	502 28 76-02	CYLINDER	1		
5	542 02 14-04	SCREW	4		
6	725 25 36-71	SCREW	4		
7	735 11 78-01	WASHER	2		
8	725 24 95-71	SCREW	1		
9	735 11 73-01	SPRING WASHER	3		
10	574 85 90-03	PIVOT	1		
11	539 30 11-23	GREASE FITTING 90	1		
12	574 85 33-05	LIFTING ARM	2		
13	574 85 33-01	LIFTING ARM	1		
14	541 20 51-33	PIN	2		
15	542 19 17-16	WHEEL	1		
16	542 04 64-02	WASHER	4		
17	574 86 81-01	BRACKET	1		