

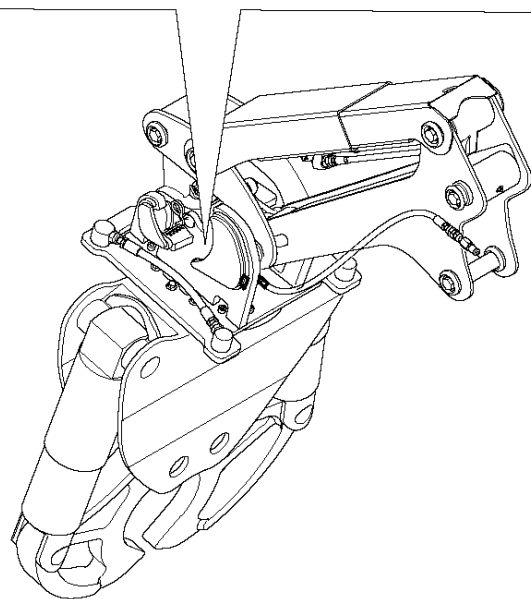
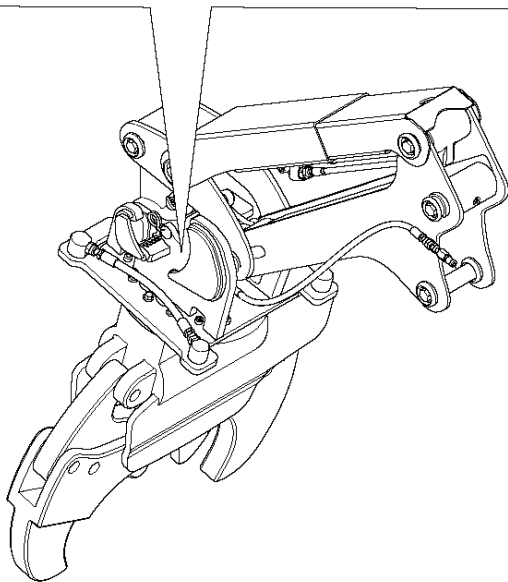
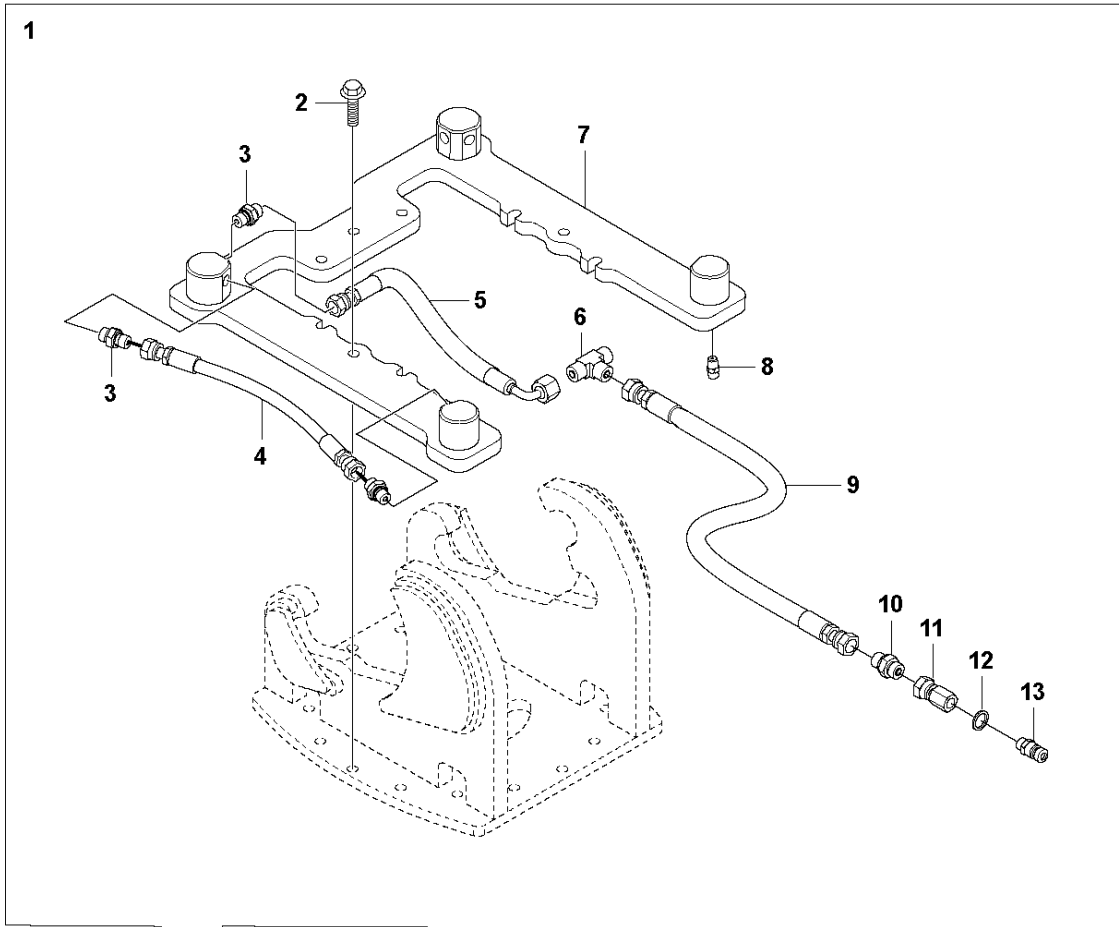


SPARE PARTS LIST

ACCESSORIES AND TOOLS

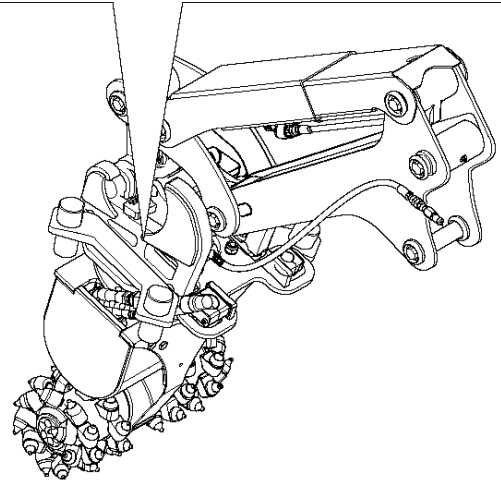
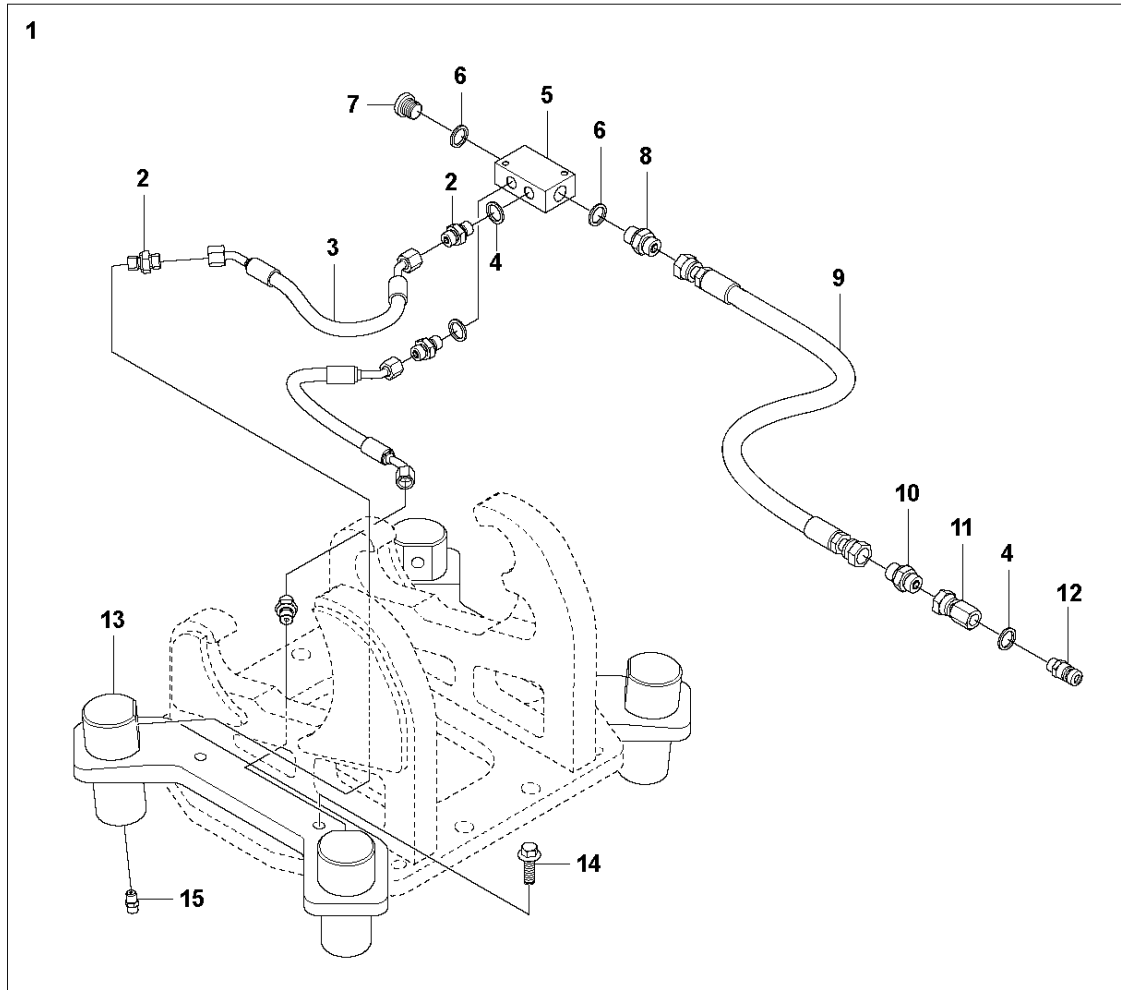
DUST REDUCTION KIT, 2019-03

A DUST REDUCTION KIT
DCR 100/300



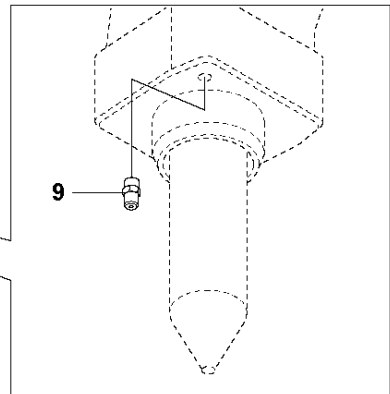
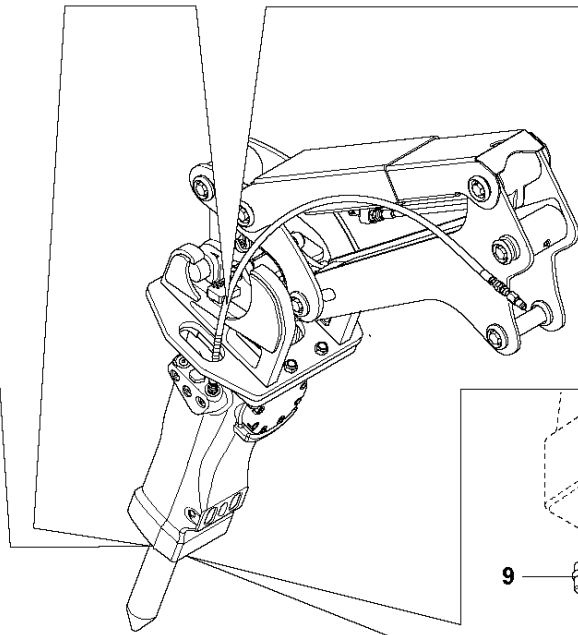
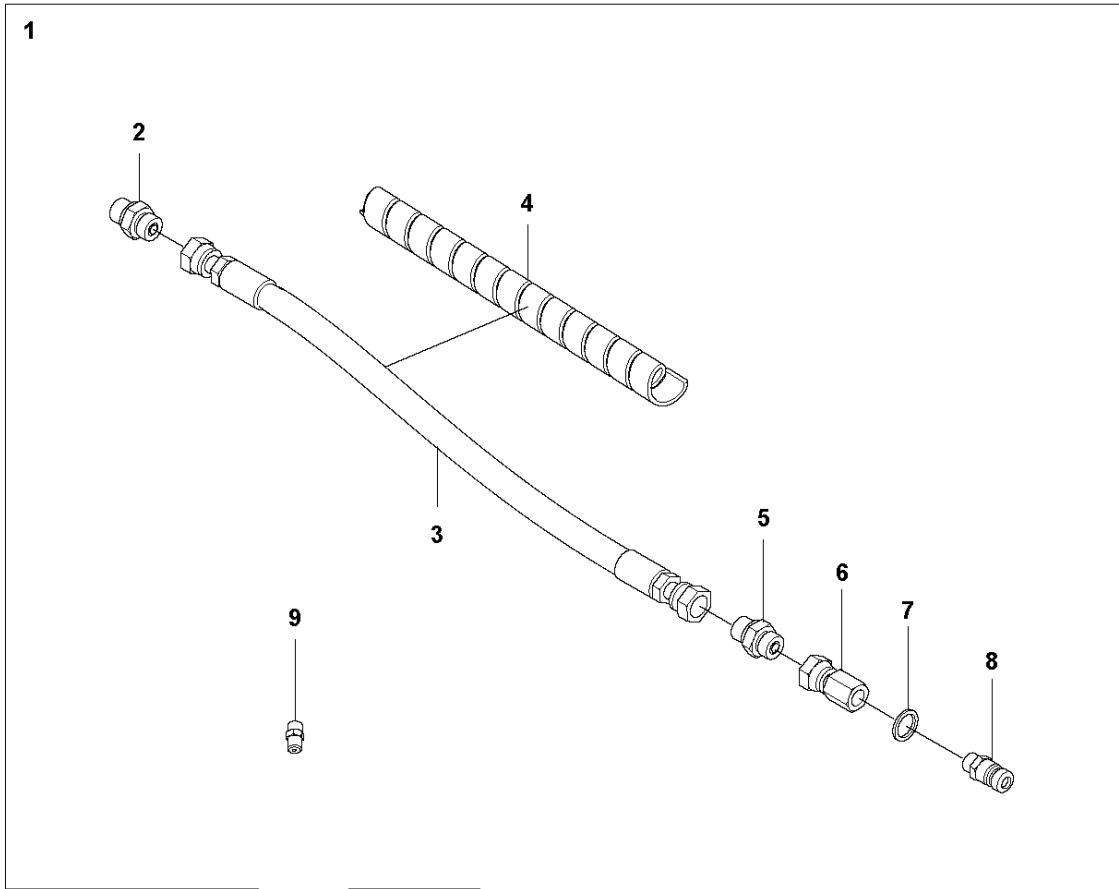
Ref	Part No	Description	Remark	QTY KIT	
1	596 52 82-01	DUST REDUCTION		1	
2	506 67 54-02	SCREW EHHFM		9	1
3	589 01 09-01	ADAPTER		6	1
4	585 48 42-15	HOSE ASSY		2	1
5	582 31 37-03	HOSE ASSY		2	1
6	589 01 80-01	ADAPTER		1	1
7	593 36 00-01	BRACKET		1	1
8	594 05 95-01	GROMMET		4	1
9	585 54 22-03	HOSE ASSY		1	1
10	582 90 58-01	ADAPTER		1	1
11	582 90 56-01	ADAPTER		1	1
12	501 72 09-01	WASHER		1	1
13	531 11 83-54	NIPPLE			1

B DUST REDUCTION KIT
DC200/ER50



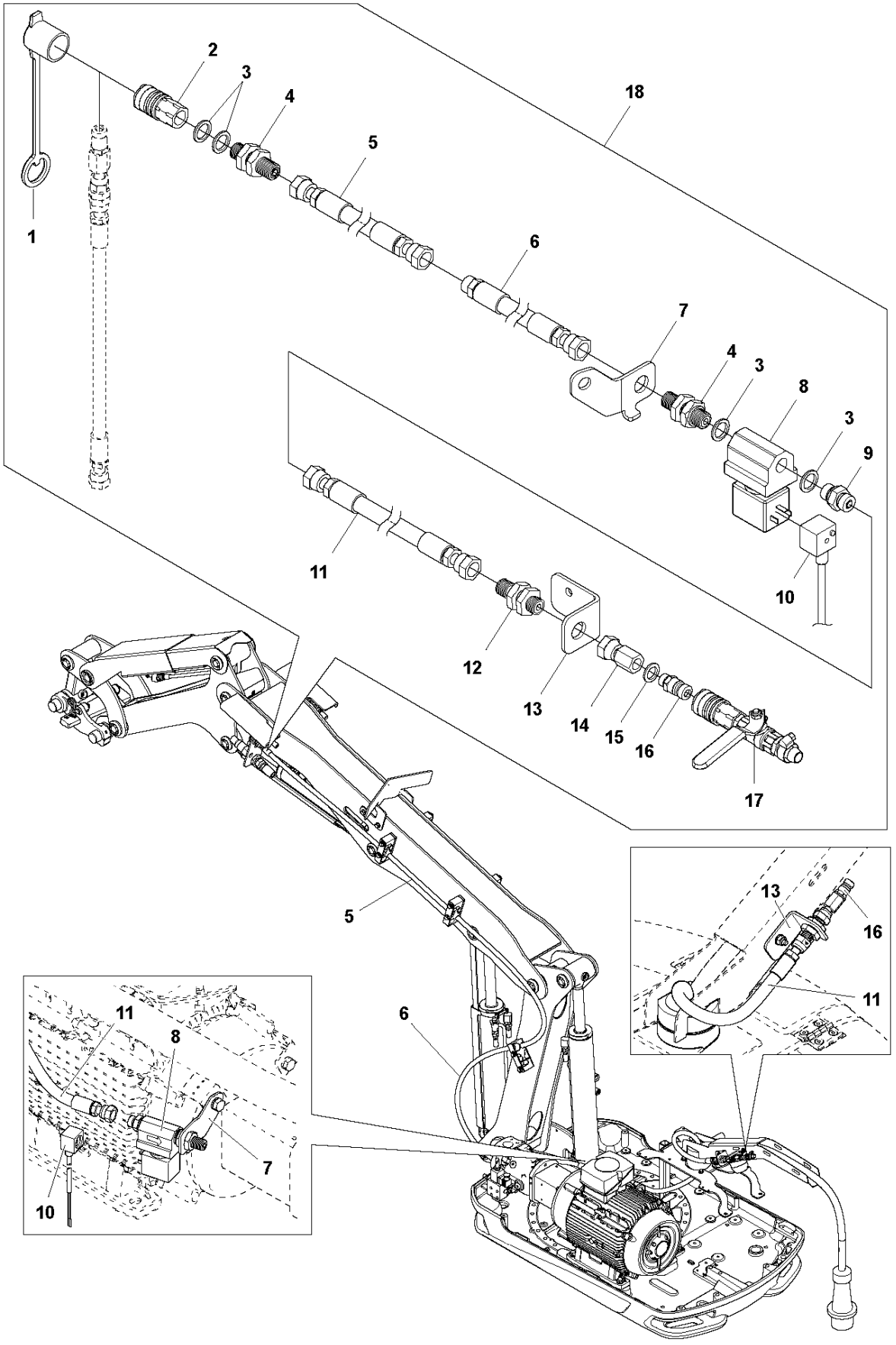
Ref	Part No	Description	Remark	QTY KIT	
1	596 52 83-01	DUST REDUCTION		1	
2	589 01 09-01	ADAPTER		8	1
3	597 19 20-01	HOSE ASSY		4	1
4	501 72 09-01	WASHER		5	1
5	597 20 55-01	DISTRIBUTOR		1	1
6	501 72 09-02	WASHER		2	1
7	589 02 17-01	PLUG		1	1
8	589 01 54-01	ADAPTER		1	1
9	585 54 22-03	HOSE ASSY		1	1
10	582 90 58-01	ADAPTER		1	1
11	582 90 56-01	ADAPTER		1	1
12	531 11 83-54	NIPPLE		1	1
13	593 15 62-01	BRACKET		2	1
14	522 70 67-01	SCREW EHHFM		4	1
15	594 05 94-01	NOZZLE		4	1

C DUST REDUCTION KIT
SB 152/202/302



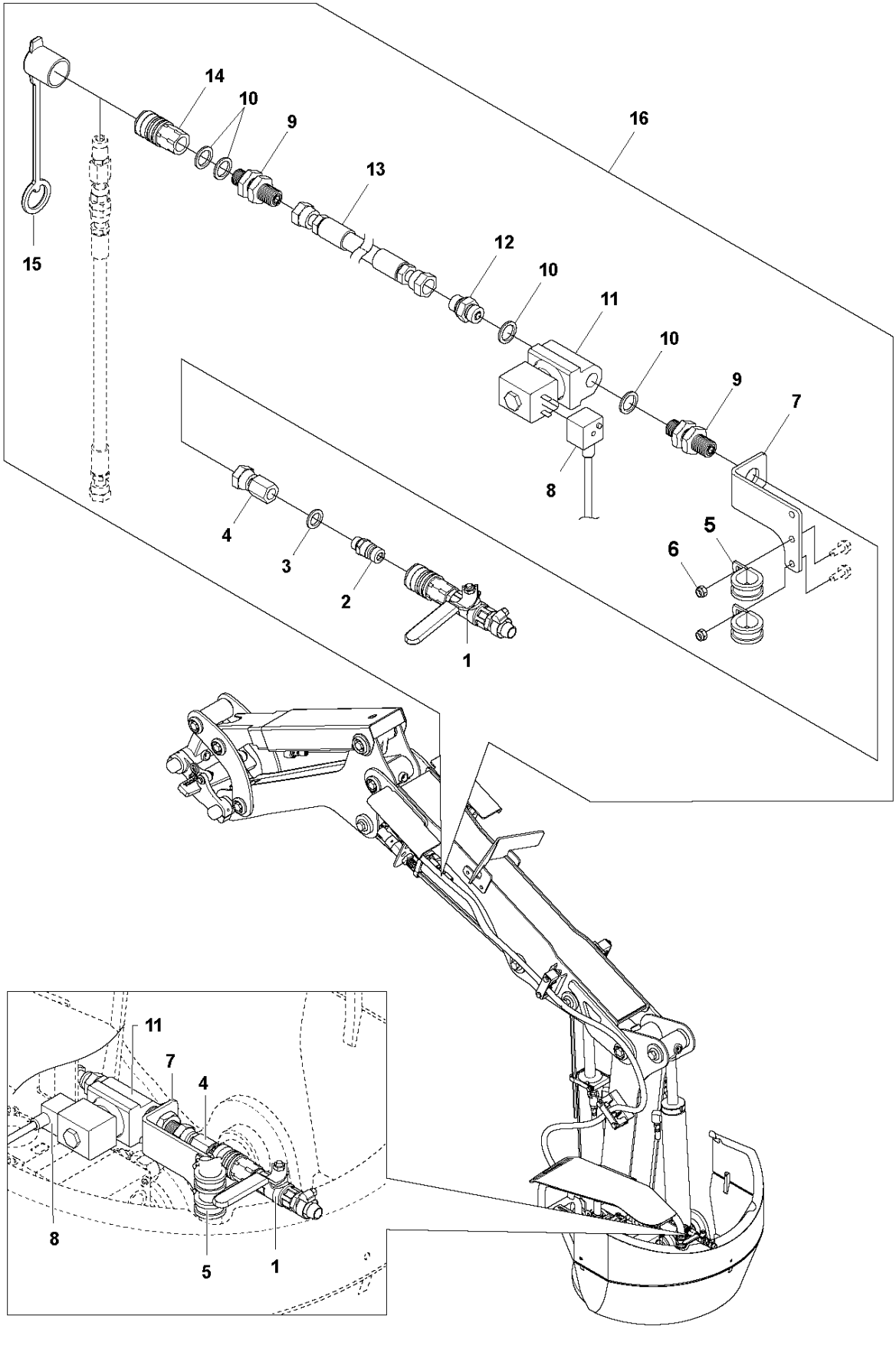
Ref	Part No	Description	Remark	QTY KIT
1	583 80 72-01	DUST REDUCTION	SB 152	1
1	583 80 72-02	DUST REDUCTION	SB 202/302	1
2	589 01 09-01	ADAPTER		1
3	585 48 42-10	HOSE ASSY	SB 152	1
3	585 48 42-11	HOSE ASSY	SB 202/302	1
4	501 73 96-03	WEAR PROTECTION	SB 152	1
4	501 73 96-02	WEAR PROTECTION	SB 202/302	1
5	582 77 99-01	ADAPTER		1
6	582 03 50-01	ADAPTER		1
7	501 72 09-01	WASHER		1
8	531 11 83-54	NIPPLE		1
9	582 78 00-01	NOZZLE		1

D DUST REDUCTION KIT
HOSES DXR250/270/300/310



Ref	Part No	Description	Remark	QTY	KIT
1	589 79 45-01	DUST COVER		1	18
2	531 11 80-03	COUPLING		1	18
3	501 72 09-02	WASHER		4	18
4	576 41 20-01	ADAPTER		2	18
5	585 54 22-03	HOSE ASSY	DXR 250/270	1	18
5	585 54 22-02	HOSE ASSY	DXR 300	1	18
5	585 54 22-07	HOSE ASSY	DXR 310	1	18
6	588 95 87-03	HOSE ASSY		1	18
7	582 82 05-01	BRACKET		1	18
8	582 78 01-01	VALVE		1	18
9	589 01 54-01	ADAPTER		1	18
10	576 61 44-02	CABLE		1	18
11	589 34 84-01	HOSE ASSY		1	18
12	589 00 91-01	ADAPTER		1	18
13	589 40 32-01	BRACKET		1	18
14	582 90 56-01	ADAPTER		1	18
15	501 72 09-01	WASHER		1	18
16	531 11 83-54	NIPPLE		1	18
17	505 42 42-01	VALVE ASSY		1	18
18	583 80 71-02	DUST REDUCTION	DXR 250/270	1	
18	583 80 71-03	DUST REDUCTION	DXR 300	1	
18	583 80 71-04	DUST REDUCTION	DXR 310	1	

E DUST REDUCTION KIT
HOSES DXR140



Ref	Part No	Description	Remark	QTY	KIT
16	583 80 71-01	DUST REDUCTION		1	
1	505 42 42-01	VALVE ASSY		1	16
2	531 11 83-54	NIPPLE		1	16
3	501 72 09-01	WASHER		1	16
4	582 90 56-01	ADAPTER		1	16
5	583 83 12-01	HOSE CLAMP		2	16
6	522 66 93-01	LOCK NUT		2	16
7	582 81 66-01	BRACKET		1	16
8	576 61 44-01	CABLE		1	16
9	576 41 20-01	ADAPTER		2	16
10	501 72 09-02	WASHER		4	16
11	582 78 01-01	VALVE		1	16
12	589 01 54-01	ADAPTER		1	16
13	585 54 24-04	HOSE ASSY		1	16
14	531 11 80-03	COUPLING		1	16
15	589 79 45-01	DUST COVER		1	16