

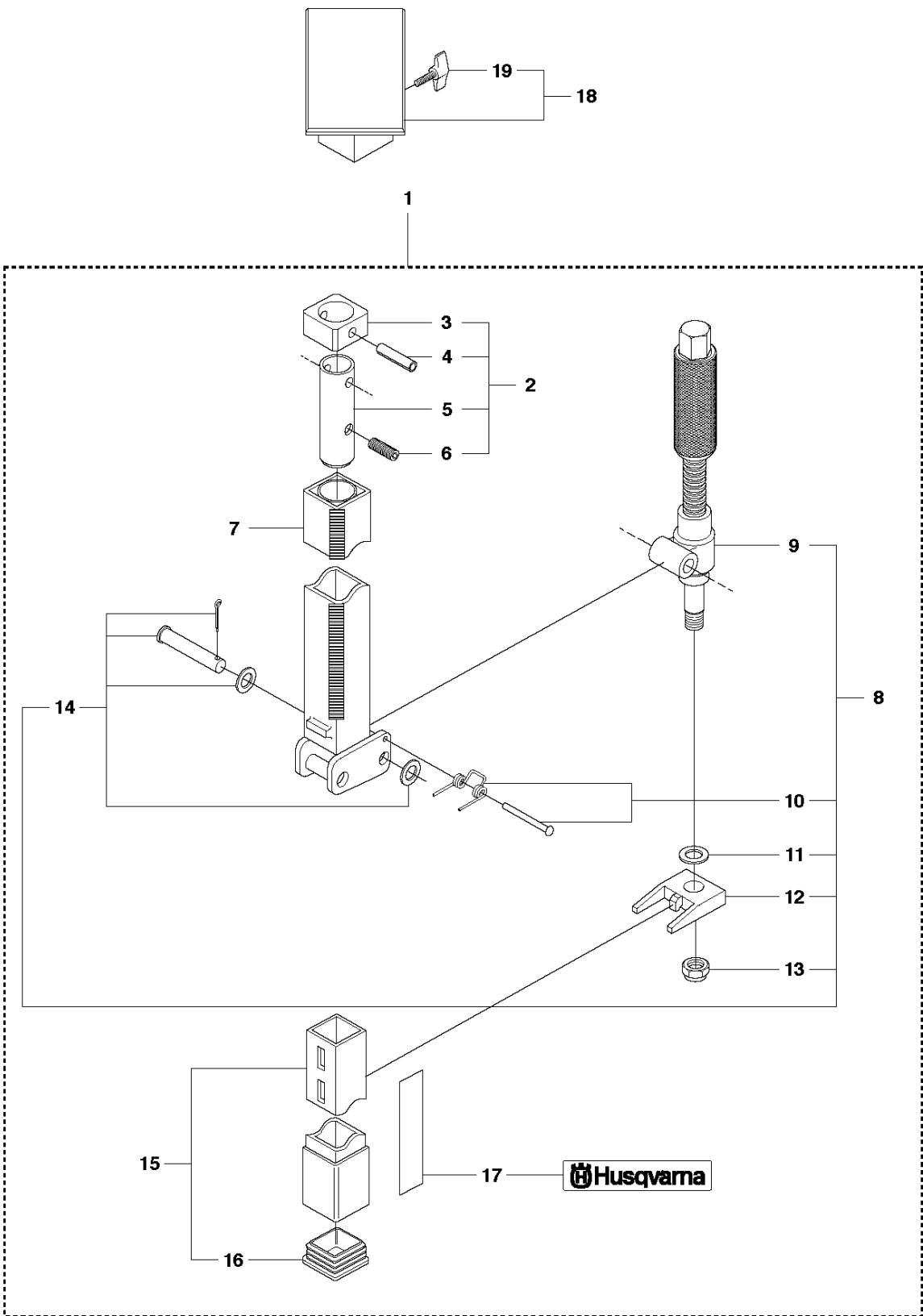


SPARE PARTS LIST

DRILLING EQUIPMENT

DS50 Gyro, 2008-05

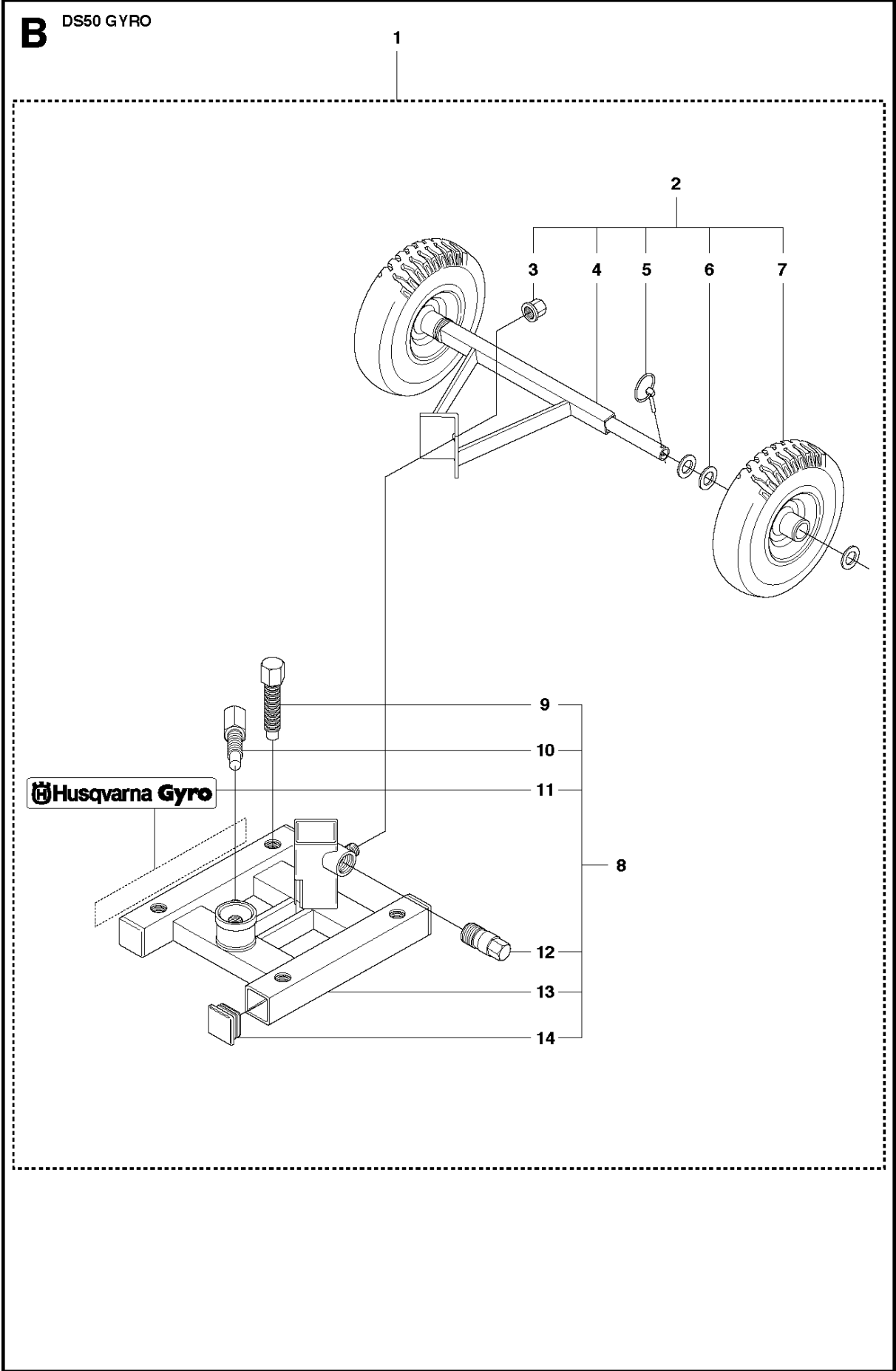
A DS50 GYRO



EXPANDABLE COLLUMN

DS50 Gyro, 2008-05

Ref	Part No	Description	Remark	QTY KIT
1	506 40 83-05	PIPE	Incl. 2, 7, 8, 15, 17	1
2	506 40 82-01	SLEEVE	Incl. 3-6	1
3	531 14 07-53	STOP SLEEVE		1
4	531 14 06-05	PEN		1
5	531 14 06-06	PEN		1
6	531 14 06-07	STOP SCREW		1
7	506 40 04-01	PIPE		1
8	506 40 81-05	ADJUSTER	Incl. 9-14	1
9	506 40 81-07	ADJUSTER		1
10	506 40 14-02	BOLT		1
11	531 14 06-13	WASHER		1
12	531 14 06-16	FORK		1
13	531 14 06-14	NUT		1
14	506 40 14-01	BOLT		1
15	506 40 05-01	PIPE	Incl. 16	1
16	531 14 06-20	PLUG		1
17	504 02 10-02	DECAL		1
18	506 40 84-06	PLATE	Incl. 19	1
19	531 14 06-02	SCREW		1

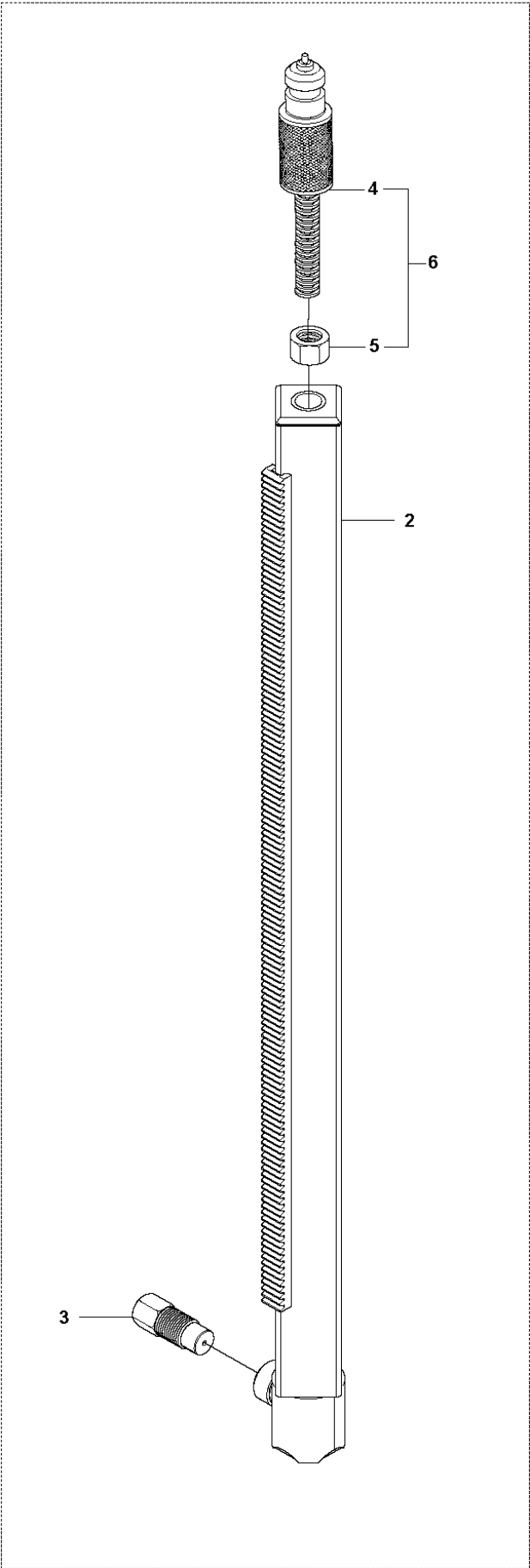


BASE PLATE

DS50 Gyro, 2008-05

Ref	Part No	Description	Remark	QTY KIT
1	506 40 80-09	PLATE	Incl. 2, 9	1
2	506 40 76-08	RETAINER	Incl. 3-7	1
3	531 14 06-22	NUT		1
4	504 02 06-01	SHAFT		1
5	531 14 06-23	PEN		2
6	531 14 06-27	WASHER		6
7	531 14 06-24	WHEEL		2
8	506 40 79-11	PLATE	Incl. 9-14	1
9	531 14 06-18	SCREW		4
10	531 14 06-19	SCREW		1
11	504 02 10-03	DECAL		1
12	544 06 97-01	SCREW		1
13	504 03 04-01	PLATE		1
14	531 14 06-20	PLUG		4

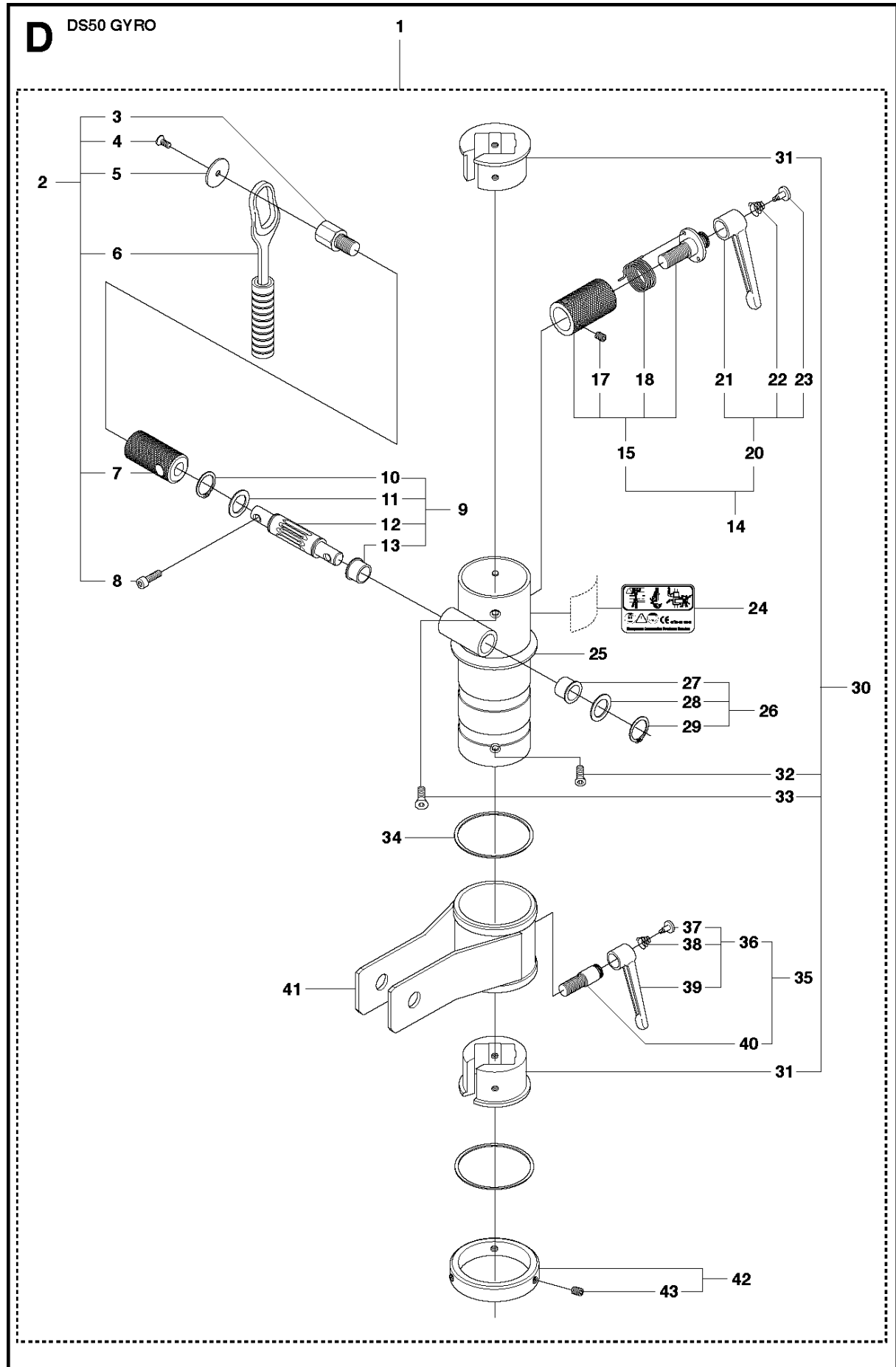
C DS50 GYRO



COLLUMN ASSY

DS50 Gyro, 2008-05

Ref	Part No	Description	Remark	QTY KIT
1	506 40 88-10	DRILL	Incl. 2-6	1
2	505 41 14-03	COLUMN		1
3	504 90 84-05	COLUMN		1
4	506 40 06-07	SCREW		1
5	531 14 06-44	NUT		1
6	506 40 06-05	SCREW	Incl. 4-5	1

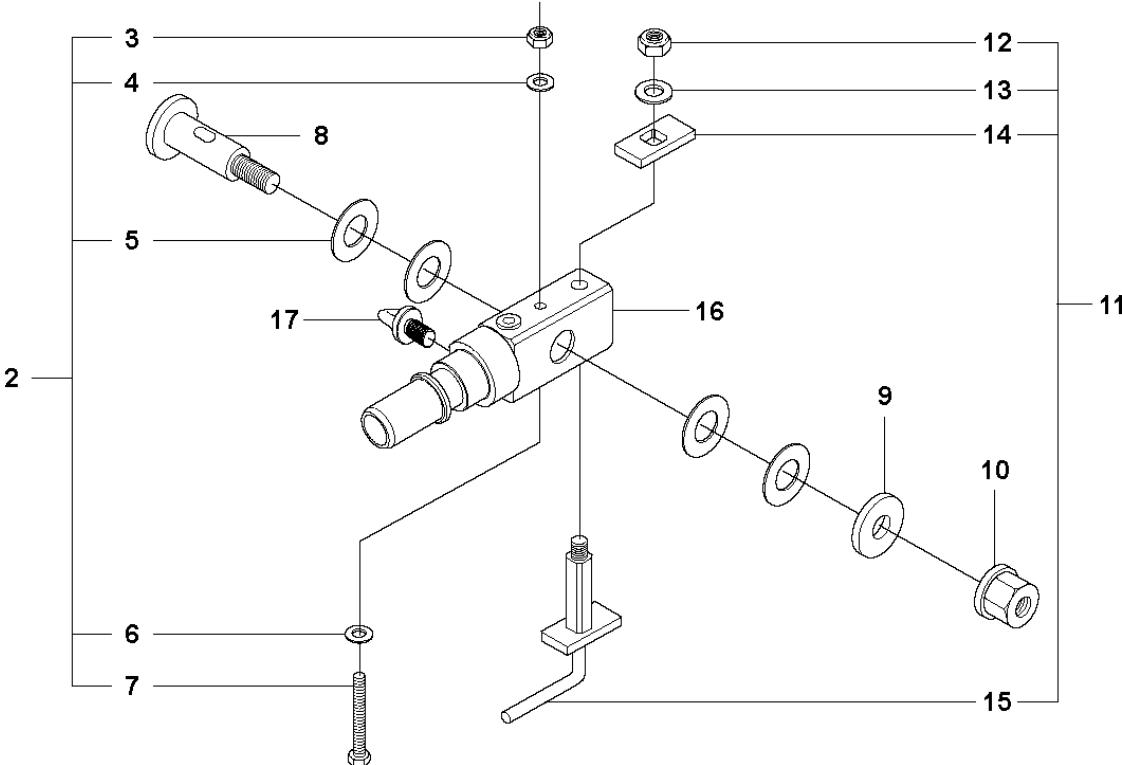


GYRO UNIT 1

DS50 Gyro, 2008-05

Ref	Part No	Description	Remark	QTY KIT
1	506 40 91-04	BRACKET	Incl. 2, 9, 14, 24-26, 30, 35-36, 42-43	1
2	506 40 77-17	JUSTERVRED	Incl. 3-8	1
3	531 14 06-50	SCREW		1
4	531 14 08-04	SCREW		1
5	504 02 11-01	WASHER		1
6	544 22 27-03	SPANNER		1
7	504 02 12-01	SLEEVE		1
8	531 14 06-59	SCREW		1
9	506 40 17-01	SHAFT	Incl. 10-13	1
10	531 14 07-66	FUSE		2
11	531 14 07-67	WASHER		2
12	531 14 07-71	SHAFT		1
13	531 14 06-77	BEARING		2
14	506 40 77-14	KNOB	Incl. 15, 20	1
15	506 40 78-01	SPRING RETAINER	Incl. 16-19	1
17	531 14 06-57	STOP SCREW		2
18	531 14 06-56	SPRING		1
20	501 38 46-04	HANDLE	Incl. 21-23	1
21	504 01 81-02	HANDLE		1
22	501 38 47-02	SPRING		1
23	501 38 60-02	SCREW		1
24	544 12 85-01	LABEL		1
25	531 14 06-60	SLEEVE		1
26	506 40 19-01	BUSHING	Incl. 27-29	1
27	531 14 06-77	BEARING		2
28	531 14 07-67	WASHER		2
29	531 14 07-66	FUSE		2
30	506 40 89-01	BUSHING	Incl. 31-33	1
31	531 14 06-52	BUSHING		2
32	531 14 06-61	SCREW		4
33	531 14 06-58	SCREW		4
34	531 14 06-62	WASHER		2
35	506 40 77-13	KNOB	Incl. 36, 40	1
36	501 38 46-03	HANDLE	Incl. 37-39	1
37	501 38 60-01	SCREW		1
38	501 38 47-01	SPRING		1
39	504 01 81-01	HANDLE		1
40	544 23 56-02	SCREW		1
41	531 14 06-63	RETAINER		1
42	506 40 18-03	CIRCLIP	Incl. 43	1
43	531 14 06-70	STOP SCREW		3

E DS50 GYRO

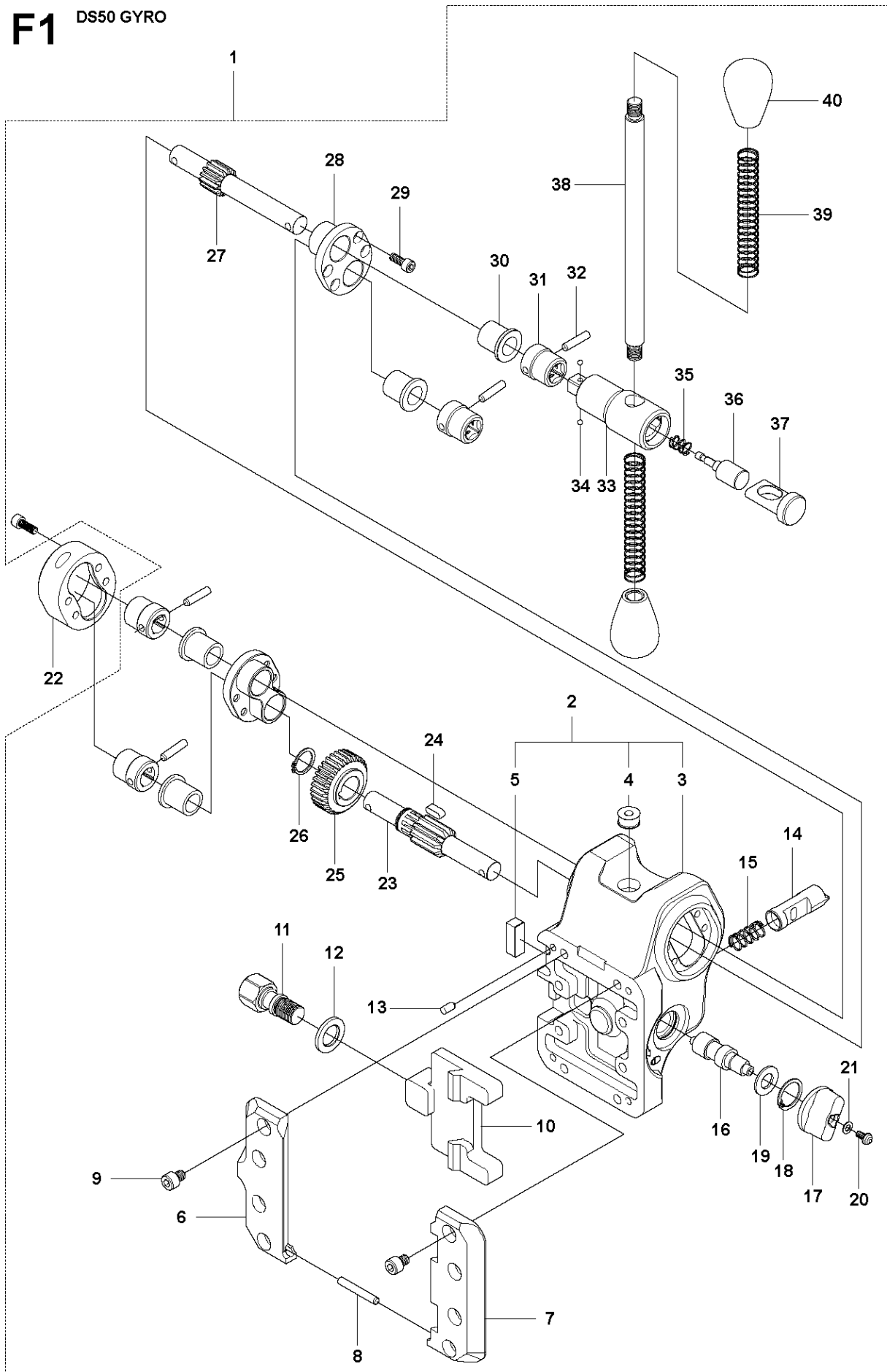


GYRO UNIT 2

DS50 Gyro, 2008-05

Ref	Part No	Description	Remark	QTY KIT
1	506 40 91-04	BRACKET	Incl. PAGE E Pos. 2, 11	1
2	506 40 15-01	SCREW	Incl. 3-7	1
3	531 14 06-30	NUT		1
4	531 14 06-38	WASHER		1
5	531 14 06-32	WASHER		4
6	531 14 06-38	WASHER		1
7	501 38 86-01	SCREW		1
8	531 14 06-29	SHAFT		1
9	531 14 06-36	WASHER		1
10	531 14 06-37	NUT		1
11	506 40 16-01	LOCK ARM	Incl. 12-15	1
12	531 14 06-00	NUT		1
13	531 14 07-22	WASHER		1
14	531 14 06-34	WASHER		1
15	531 14 06-40	KNOB		1
16	505 51 99-03	BRACKET		1
17	504 90 91-05	PLATE		1

F1 DS50 GYRO

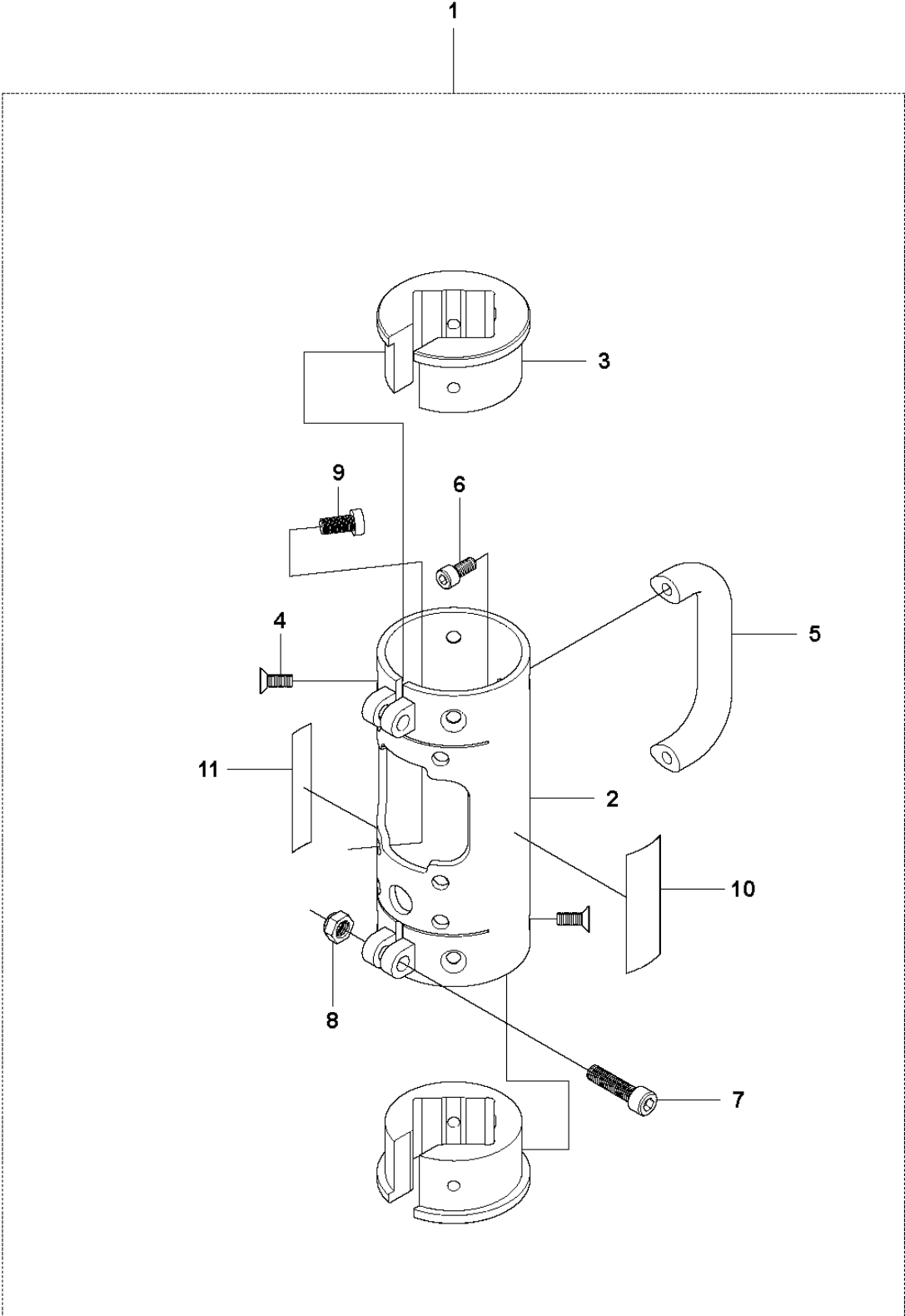


CARRIAGE

DS50 Gyro, 2008-05

Ref	Part No	Description	Remark	QTY KIT
1	505 40 03-01	CASE	Incl. 2, 6-41 and 2-11 on Page F2	1
2	505 40 03-10	SHREDDER CASE	Incl. 3-5	1
3	505 40 03-07	CASE		1
4	531 14 08-97	LEVEL		1
5	531 14 08-98	LEVEL		1
6	504 90 83-22	CASE		1
7	504 90 83-21	CASE		1
8	504 90 83-23	PIN		1
9	504 90 83-24	CASE		8
10	504 90 83-25	CASE		1
11	504 90 36-01	SCREW		1
12	504 71 19-01	WASHER		1
13	504 90 83-26	PIN		4
14	504 71 18-02	SHAFT		1
15	505 40 03-08	CASE		1
16	505 40 03-09	CASE		1
17	504 90 83-17	CASE		1
18	504 90 83-16	CASE		1
19	504 90 83-15	CASE		1
20	504 90 83-19	CASE		1
21	504 90 83-18	CASE		1
22	504 90 83-37	SHREDDER CASE	Fitting for Autofeed,	0
23	504 90 49-01	GEAR WHEEL SHAFT		1
24	504 90 83-36	CASE		1
25	504 60 06-01	GEAR WHEEL		1
26	504 90 83-35	CASE		1
27	504 60 06-02	GEAR WHEEL		1
28	504 90 83-07	CASE		2
29	504 90 83-12	SHREDDER CASE		8
30	504 90 83-08	CASE		4
31	504 90 83-09	CASE		4
32	504 90 83-10	CASE		4
33	505 40 03-03	SHREDDER CASE		1
34	504 90 83-05	CASE		2
35	504 90 83-04	SHREDDER CASE		1
36	505 40 03-04	SHREDDER CASE		1
37	505 40 03-05	BUTTON		1
38	531 14 06-82	HANDLE		1
39	531 14 06-73	SPRING		2
40	531 14 06-72	GRIP		2

F2 DS50 GYRO

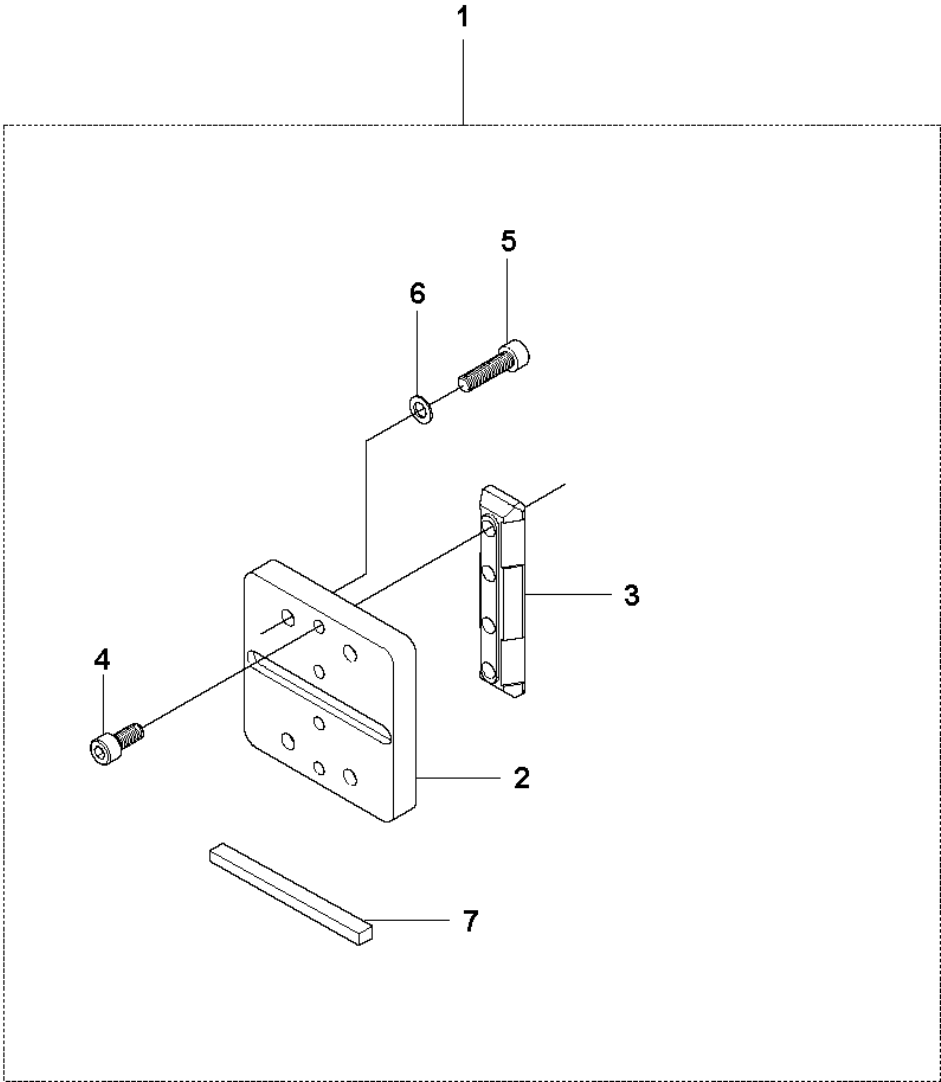


CARRIAGE

DS50 Gyro, 2008-05

Ref	Part No	Description	Remark	QTY KIT
1	505 40 03-01	CASE	Incl. 2-11 and 2, 6-41 on Page D1	1
2	505 40 03-11	CASE		1
3	531 14 08-82	BUSHING		2
4	531 14 06-58	SCREW		8
5	505 40 03-12	CASE		1
6	531 14 06-85	SCREW		2
7	531 14 06-86	SCREW		2
8	531 14 06-30	NUT		2
9	504 90 83-34	CASE		6
10	544 12 85-02	LABEL		1
11	504 02 10-01	DECAL		1

G DS50 GYRO

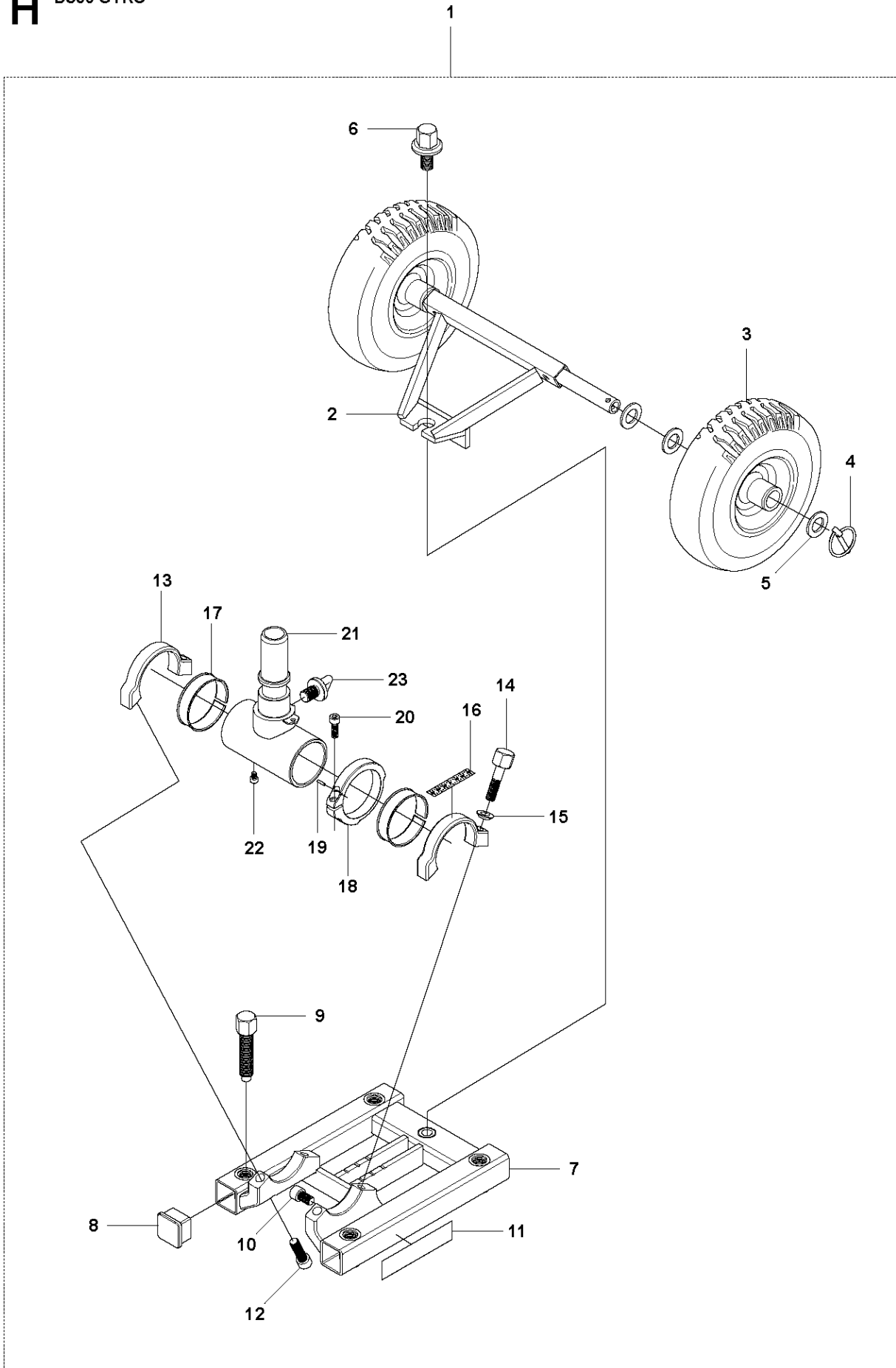


FRAME

DS50 Gyro, 2008-05

Ref	Part No	Description	Remark	QTY KIT
1	506 40 08-07	BRACKET	Incl. 2-6	1
2	504 71 92-01	BRACKET		1
3	504 90 83-33	CASE		1
4	504 69 63-01	SCREW		4
5	531 14 06-59	SCREW		4
6	531 14 07-12	WASHER		4
7	531 14 06-74	WEDGE		1

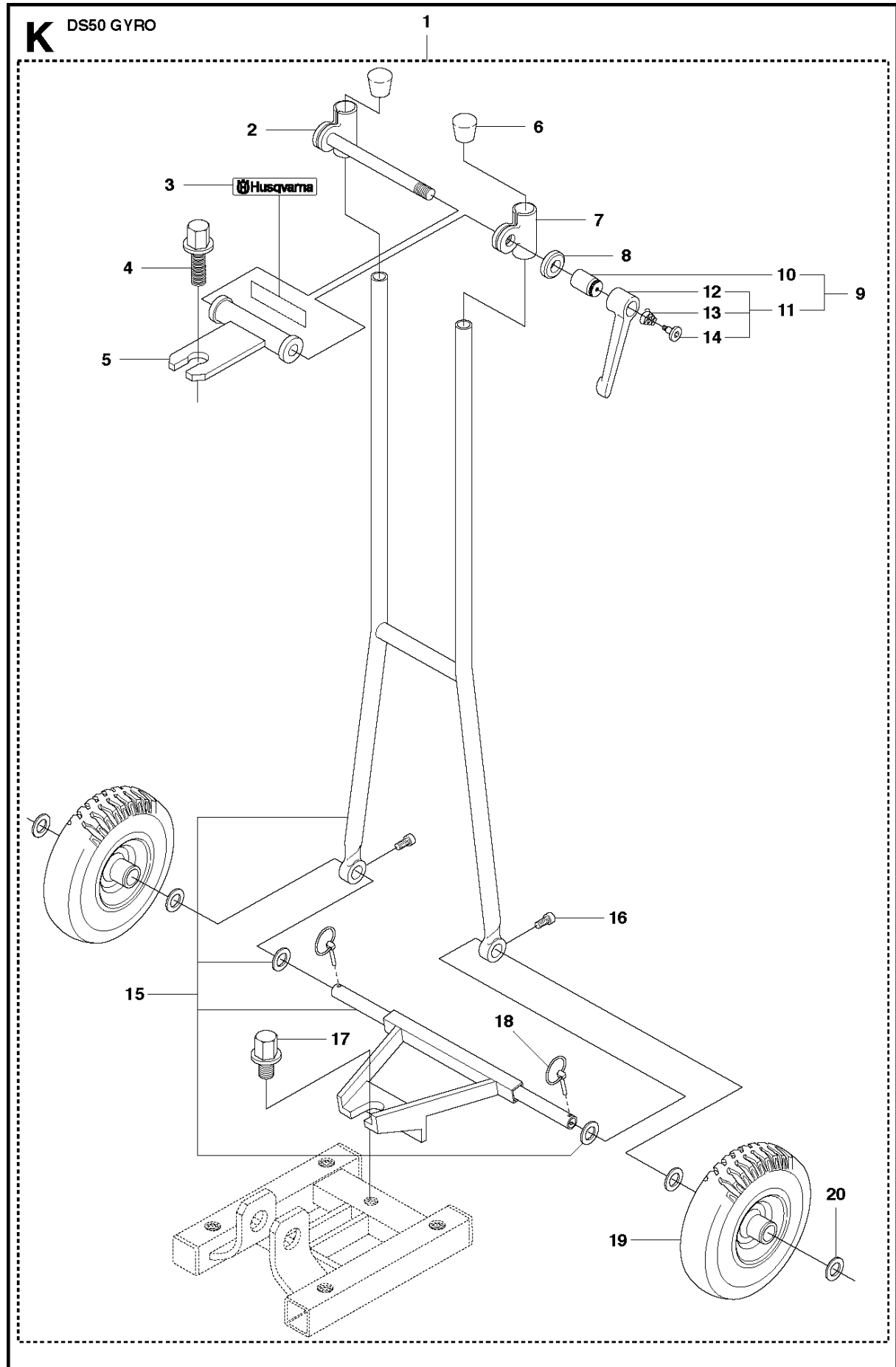
H DS50 GYRO



BASE PLATE

DS50 Gyro, 2008-05

Ref	Part No	Description	Remark	QTY KIT
1	505 41 13-01	PLATE	Incl. 2-23	1
2	504 90 91-14	PLATE		1
3	531 14 06-24	WHEEL		2
4	531 14 06-23	PEN		2
5	531 14 06-27	WASHER		6
6	531 14 07-43	SCREW		1
7	505 41 13-07	PLATE		1
8	531 14 06-20	PLUG		4
9	531 14 06-18	SCREW		4
10	504 90 91-13	FOOT PLATE		1
11	504 02 10-02	DECAL		1
12	504 90 91-12	FOOT PLATE		2
13	505 41 13-02	FOOT PLATE		2
14	504 90 06-01	SCREW		2
15	504 90 91-02	PLATE		2
16	505 41 13-06	PLATE		1
17	505 41 13-03	PLATE		2
18	505 41 13-05	PLATE		1
19	504 90 91-08	PLATE		1
20	504 90 91-07	PLATE		1
21	505 41 13-04	PLATE		1
22	504 90 91-09	PLATE		1
23	504 90 91-05	PLATE		1

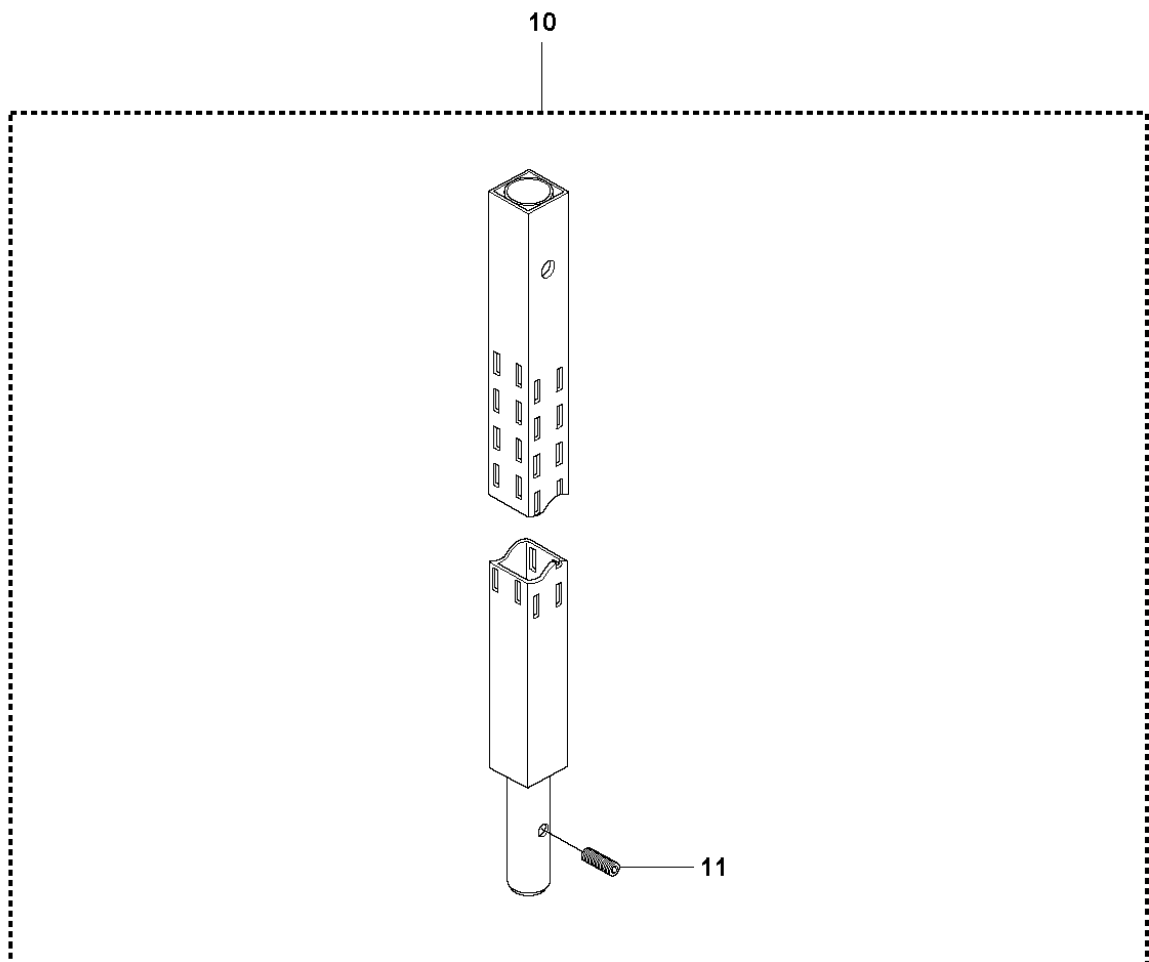
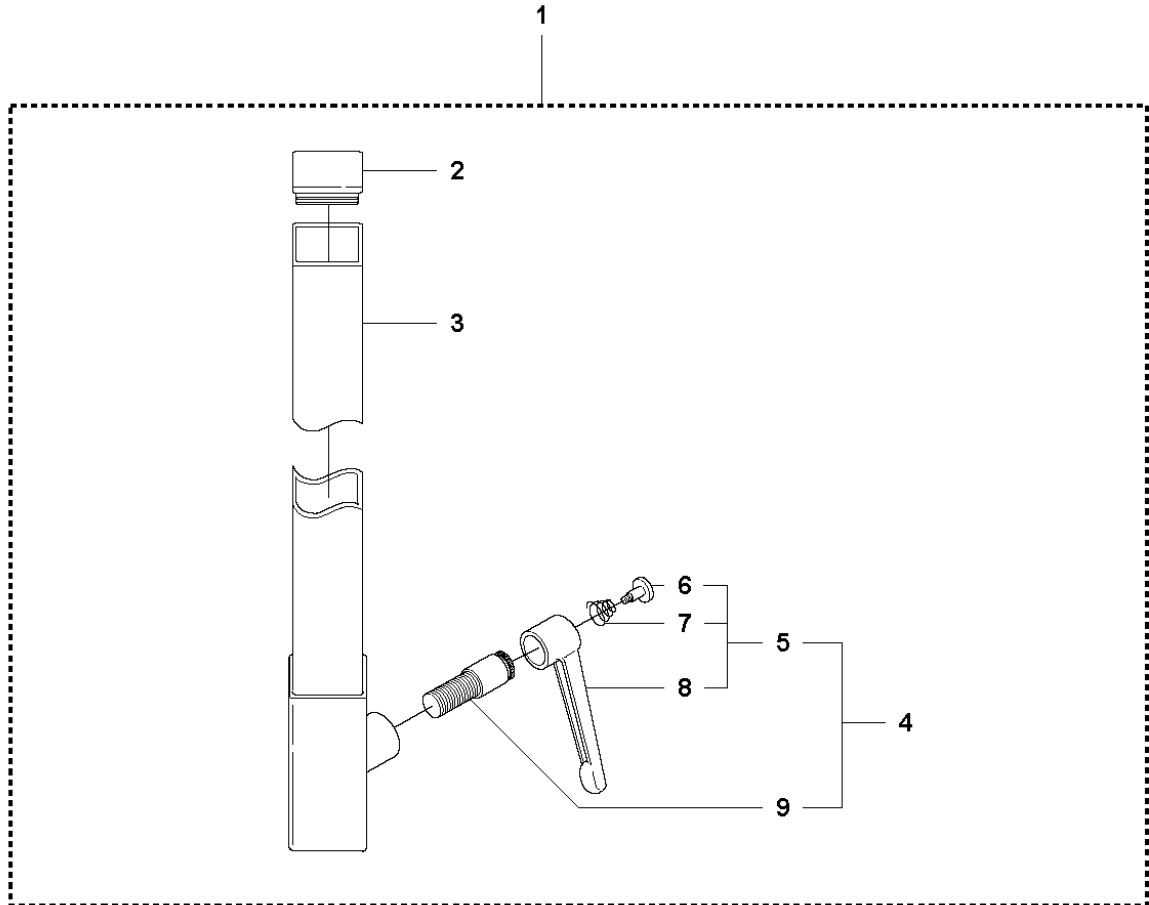


BACK SUPPORT

DS50 Gyro, 2008-05

Ref	Part No	Description	Remark	QTY KIT
1	506 40 76-10	SUPPORT ASSY	Incl. 2-9, 15-20	1
2	531 14 07-37	SLEEVE		1
3	504 02 10-01	DECAL		1
4	531 14 07-35	SCREW		1
5	504 02 09-01	FORK		1
6	531 14 07-38	PLUG		2
7	531 14 07-39	SLEEVE		1
8	531 14 06-76	WASHER		1
9	506 40 77-15	JUSTERVRED	Incl. 10, 11	1
10	531 14 06-75	SLEEVE		1
11	501 38 46-04	HANDLE	Incl. 12-14	1
12	504 01 81-02	HANDLE		1
13	501 38 47-02	SPRING		1
14	501 38 60-02	SCREW		1
15	506 40 76-12	RETAINER		1
16	531 14 06-79	SCREW		2
17	531 14 07-43	SCREW		1
18	531 14 06-23	PEN		2
19	531 14 06-24	WHEEL		2
20	531 14 06-27	WASHER		6

L DS50 GYRO

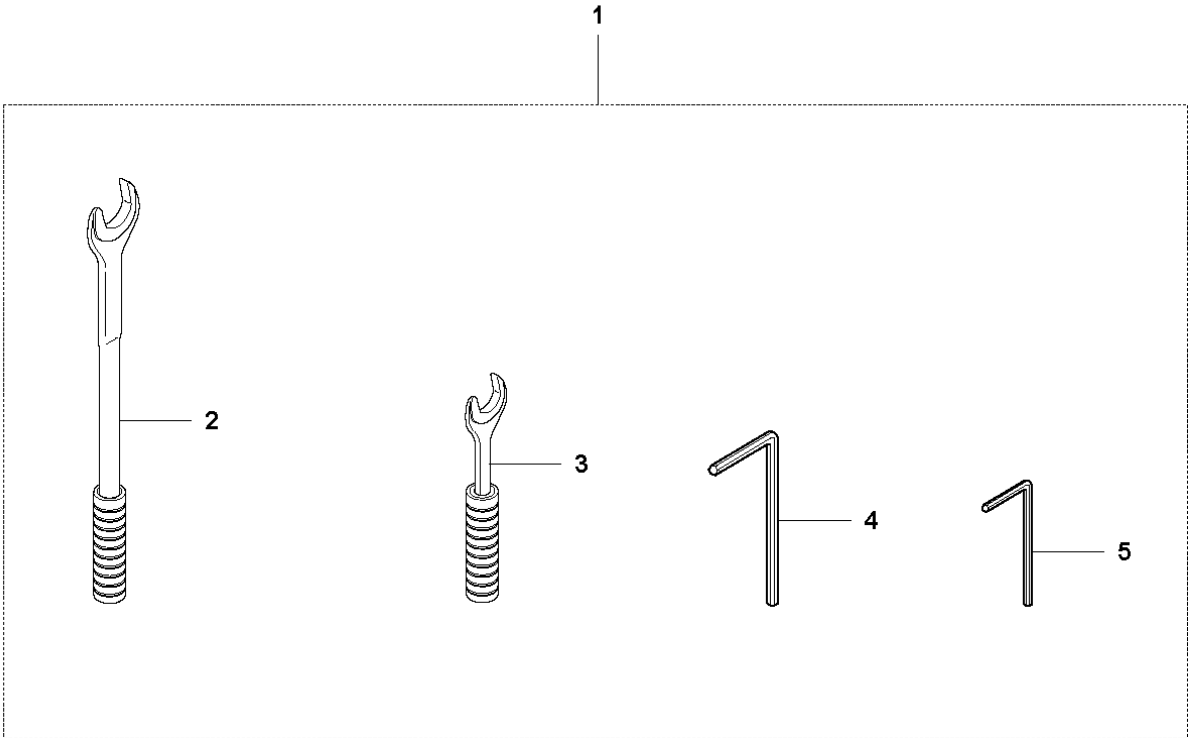


EXPANDABLE POLE

DS50 Gyro, 2008-05

Ref	Part No	Description	Remark	QTY KIT
1	506 40 85-05	PIPE	Incl. 2, 3, 4	1
2	531 14 06-64	PLUG		1
3	531 14 07-48	PIPE		1
4	506 40 77-16	HANDLE	Incl. 5, 9	1
5	501 38 46-04	HANDLE	Incl. 6-8	1
6	501 38 60-02	SCREW		1
7	501 38 47-02	SPRING		1
8	504 01 81-02	HANDLE		1
9	544 23 56-01	SCREW		1
10	506 40 05-03	PIPE	Incl. 11	1
11	531 14 06-07	STOP SCREW		1

M DS50 GYRO
TOOLKIT



TOOLS

DS50 Gyro, 2008-05

Ref	Part No	Description	Remark	QTY KIT
1	506 40 86-01	TOOL KIT	Incl. 2-6	1
2	544 22 27-01	SPANNER		1
3	544 22 27-02	SPANNER		1
4	531 14 07-62	HEX KEY		1
5	544 27 98-01	HEX KEY		1