

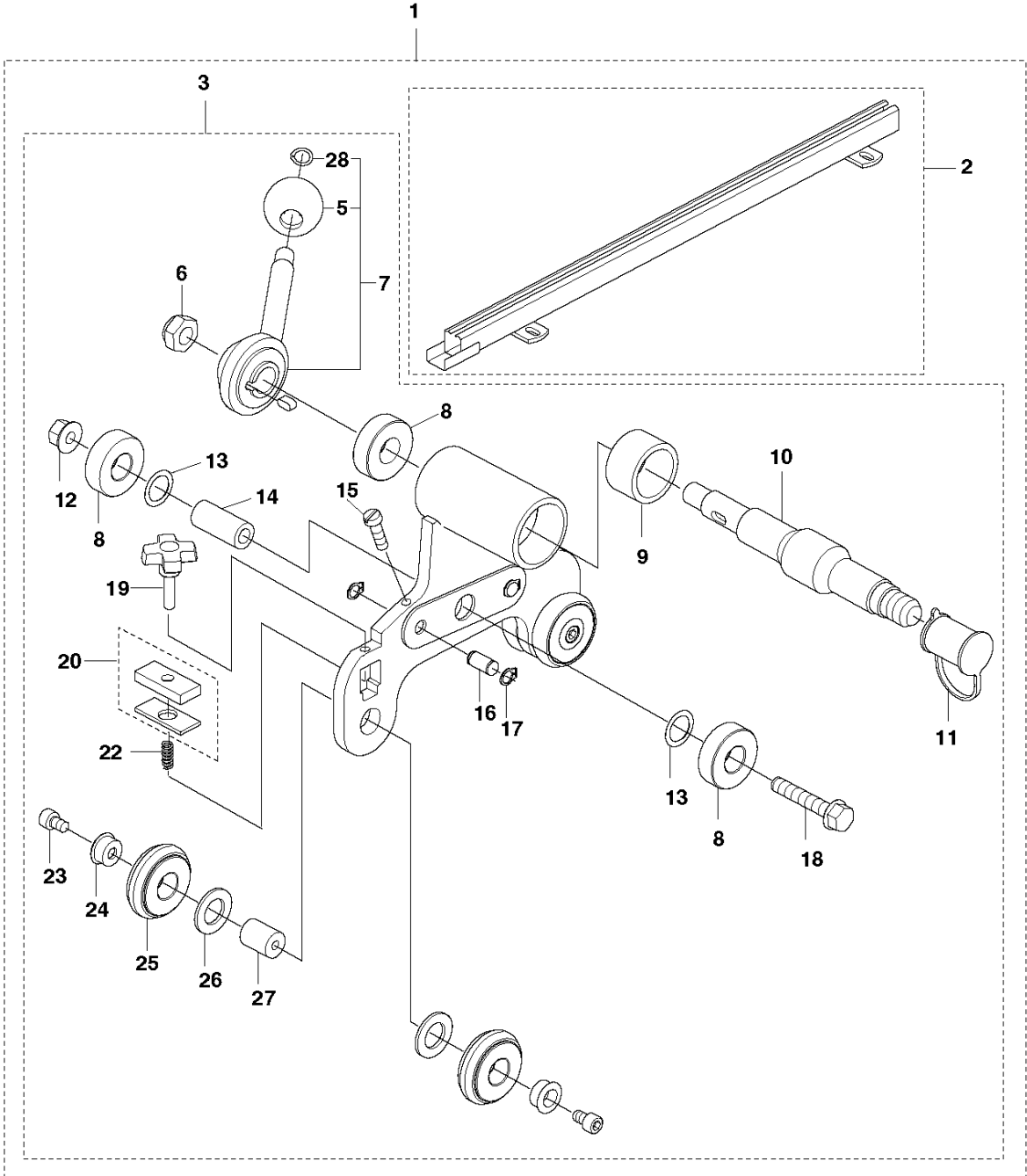


# SPARE PARTS LIST

POWER CUTTERS

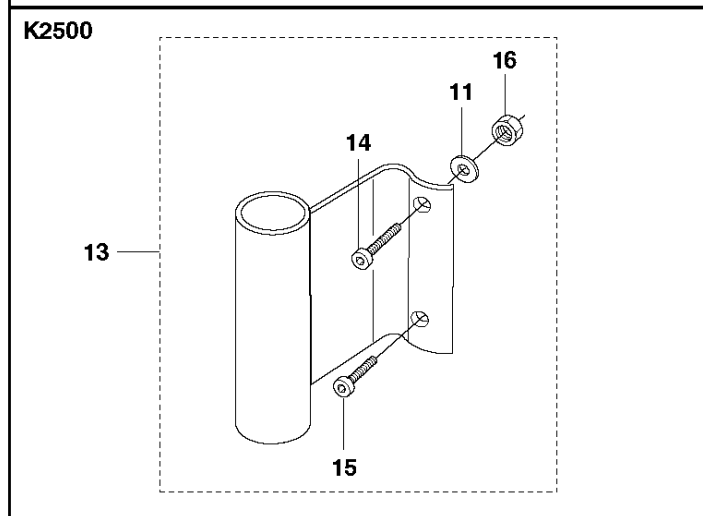
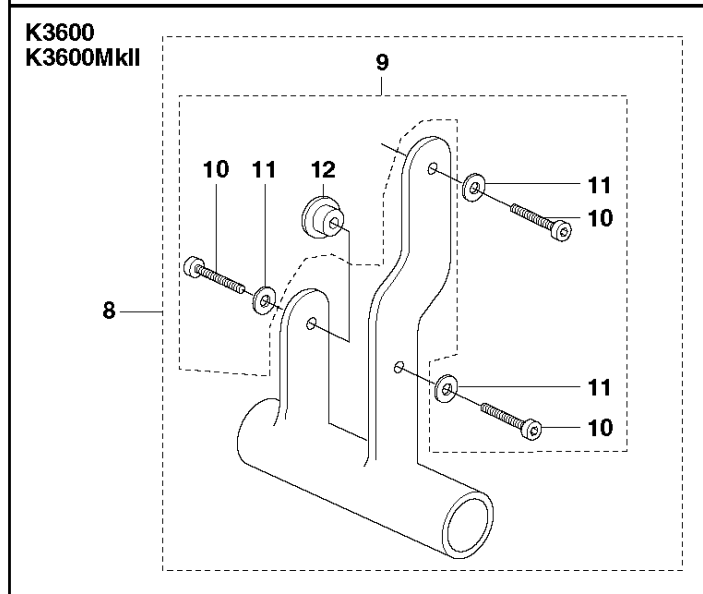
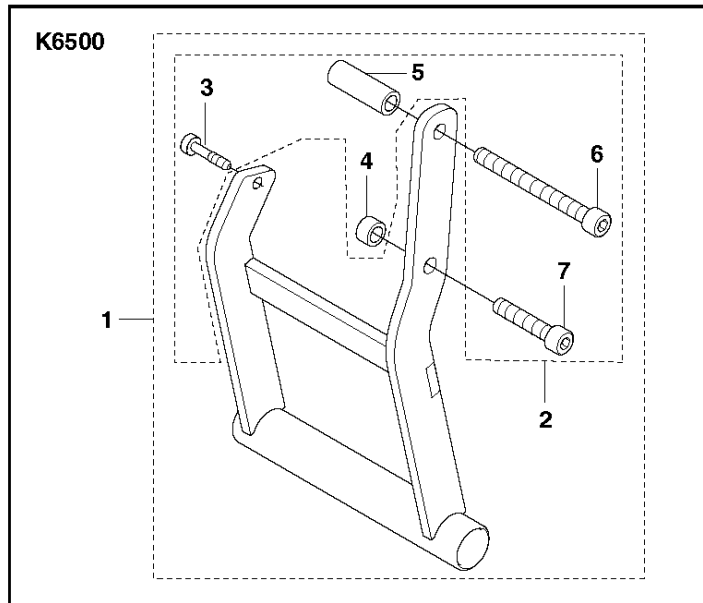
WA20, 2020-02

**A** WA20  
PRODUCT COMPLETE



Ref	Part No	Description	Remark	QTY	KIT
1	596 20 60-01	WALL ATTACHMENT		1	
2	506 33 87-03	BAR		1	
3	596 48 28-01	TROLLEY		1	
5	596 47 43-01	KNOB		1	7
6	732 25 22-71	HEXAGON LOCKING NUT		1	
7	593 20 74-01	LOCKING HANDLE		1	
8	503 25 21-01	BALL BEARING		2	
9	506 22 78-01	NEEDLE BEARING		1	
10	501 04 97-01	SHAFT		1	
11	503 76 75-01	DUST COVER		1	
12	576 64 57-04	NUT FLANGE		1	
13	506 32 27-01	WASHER		2	
14	506 32 28-01	SHAFT		1	
15	723 13 70-01	SCREW SLCHM		1	
16	506 32 29-01	SLEEVE		1	
17	735 31 10-00	CIRCLIP		1	
18	585 17 39-01	SCREW EHHFM		1	
19	506 32 32-01	KNOB		1	
20	506 32 30-01	PLATE		1	
22	506 32 31-01	SPRING		1	
23	725 53 64-01	SCREW IHSCM		4	
24	506 32 25-01	BUSHING		4	
25	506 32 26-01	BEARING		4	
26	506 32 36-01	WASHER		4	
27	506 32 24-01	SHAFT		2	
28	735 31 10-00	CIRCLIP		1	7

**B** WA20  
BRACKET KITS



## BRACKET KITS

WA20, 2020-02

Ref	Part No	Description	Remark	QTY KIT
1	590 70 88-01	ADAPTER		1
2	597 49 34-01	SCREW KIT		1
3	503 21 53-30	SCREW ITXSCM		1
4	589 38 35-01	BUSHING		1
5	589 38 36-01	BUSHING		1
6	591 47 97-02	SCREW		1
7	591 47 97-01	SCREW		1
8	506 32 33-01	BRACKET		1
9	596 49 37-01	SCREW KIT		1
10	503 21 53-25	SCREW ITXSCM		3
11	734 11 46-01	WASHER		3
12	506 32 34-01	BUSHING		2
13	506 32 35-01	BRACKET		1
14	725 53 37-55	SCREW IHSCM		1
15	725 53 33-55	SCREW IHSCM		1
16	731 23 18-01	HEXAGON NUT		1