



EN **Operator's manual**

Please read the operator's manual carefully and make sure you understand the instructions before using the machine.

ES **Manual de instrucciones**

Lea detenidamente el manual de instrucciones y asegúrese de entender su contenido antes de utilizar la máquina.

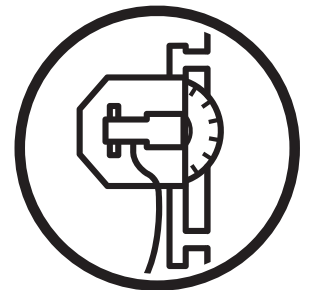
DE **Bedienungsanweisung**

Lesen Sie die Bedienungsanweisung sorgfältig durch und machen Sie sich mit dem Inhalt vertraut, bevor Sie das Gerät benutzen.

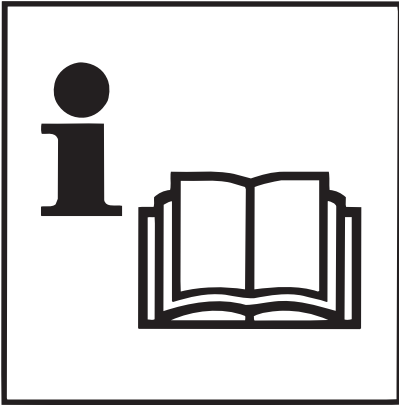
FR **Manuel d'utilisation**

Lire attentivement et bien assimiler le manuel d'utilisation avant d'utiliser la machine.

WS 325



EN ES DE FR



(GB) Read, understand and follow all warnings and instructions in these operating instructions and on the machine

(F) Il est important de lire, de comprendre et de respecter tous les avertissements et les instructions figurant dans ce guide d'utilisation et sur la machine.

(D) Alle Warnungen und Anweisungen in dieser Bedienungsanleitung und an der Maschine müssen gelesen, verstanden und eingehalten werden.

(E) Leer, comprender y observar todas las advertencias e instrucciones de este manual y las de la máquina.

Read all the operating instructions before using or carrying out service procedures on the machine

Lisez le mode d'emploi dans son intégralité avant d'utiliser la machine ou d'effectuer des mesures d'entretien.

Lesen Sie die gesamte Bedienungsanleitung, bevor Sie mit der Maschine arbeiten oder an ihr Wartungsmaßnahmen durchführen.

Leer el manual de instrucciones completo antes de utilizar la máquina o efectuar en ella medidas de servicio.

Always use eye and ear protectors when using the machine.

Portez toujours une protection visuelle et auditive lorsque vous utilisez la machine.

Tragen Sie beim Arbeiten mit der Maschine stets Augen- und Gehörschutz.

Para utilizar la máquina, usar siempre gafas protectoras y protectores auriculares.

GB Introduction

The Husqvarna Construction Products Sweden AB WS 325 is a complete wall saw system, comprising:

Hydraulic power unit with control equipment, compact hydraulic hose assembly, wall saw unit, rails, short and long with mountings, blade guard, and carrying cases for the various machine units.

Our aim in designing the Dimas wall saw was to produce equipment that can be divided into several units so that it can be managed by one person and operated as efficiently as possible at every stage of the process, including all transport and movement around the site. The working range and cutting depth were chosen to suit the likely applications and the available power.

A lot of effort was put into ensuring the rigidity of the rails so that the available power can be used as effectively as possible. Guiding the saw trolley accurately means that the friction losses between the blade and cut surfaces can be kept to a minimum. Careful choice of the hydraulic components is also vital to ensure that the various components are able to work within their maximum range of efficiency. Because the various subcomponents of the equipment operate with small losses it has been possible to make the machine small and light, yet still very effective.

Since cutting work involves a great deal of transporting and moving of equipment, special cases have been produced for the various components. The cases provide excellent protection during transport and reduce the number of items that have to be moved between work sites, which improves efficiency.

F Introduction

La scie murale Husqvarna Construction Products Sweden AB WS 325 et le groupe d'entraînement PP 345 E forment une unité de scie murale, se composant des éléments suivants :

Un groupe hydraulique avec dispositif d'entraînement, un ensemble compact de flexibles hydrauliques, une unité de sciage murale, un rail court et un long avec ferrures de montage, un carter de scie enveloppant, des caisses de transport pour les différents éléments constitutifs.

Une seule personne. De plus, l'ensemble assure des opérations efficaces ainsi qu'un transport et des déplacements simplifiés. Les domaines d'utilisation et la profondeur de coupe ont été choisis en tenant compte des travaux les plus courants et de la puissance disponible.

Des rails de guidage stables ont été conçus pour assurer une utilisation optimale de l'unité. Un guidage précis du chariot porte-scie implique une réduction sensible des pertes dues à la friction entre le disque et la surface de coupe. En ce qui concerne l'hydraulique, il est également essentiel de disposer de composants efficaces autorisant un rendement maximal. Les pertes minimales entre les différents composants ont permis de réaliser une unité plus petite et plus légère sans faire de concessions en matière d'efficacité.

Les travaux de sciage impliquent un grand nombre de déplacements. Aussi, nous avons développé des caisses de transport particulières pour les différents composants. Ces caisses assurent une bonne protection durant les transports et réduisent le nombre de colis à transporter d'un chantier à l'autre, ce qui améliore l'efficacité.

En aucun cas le groupe hydraulique ni la machine ne doivent subir de modifications par rapport à la conception originale sans l'autorisation du fabricant. Les modifications non autorisées peuvent provoquer de graves lésions corporelles voire entraîner la mort.

D Einleitung

Husqvarna Construction Products Sweden AB -Modell WS 325 ist ein komplettes Wandsägesystem, das aus folgenden Komponenten besteht:

Wandsägeeinheit, Schiene (kurz und lang) mit Montageböcken, Klingenschutz, Transportbehälter für die verschiedenen Maschineneinheiten.

Dieses Dimas-Wandsägesystem wurde so konzipiert, dass alle Komponenten von einer einzigen Person bedient werden können. Dabei wurde besonderer Wert auf höchste Effektivität während des Einsatzes sowie bei Transport und Umsetzvorgängen gelegt. Arbeitsbereich und Schnitttiefe wurden mit Hinblick auf vorkommende Arbeiten und die verfügbare Eingangsleistung optimiert.

Um die Eingangsleistung so effektiv wie möglich zu nutzen, stand die Entwicklung einer stabilen Schiene im Vordergrund. Eine optimale Führung des Sägewagens setzt minimale Reibungsverluste zwischen Klinge und Schnittfläche voraus. Auch bei den Hydraulikkomponenten spielt die richtige Auswahl eine entscheidende Rolle, damit die einzelnen Bauteile einen höchstmöglichen Wirkungsgrad erzielen. Da alle Gerätebestandteile mit niedrigen Verlusten arbeiten, verfügt die Maschine über äußerst kompakte Abmessungen und eine überdurchschnittliche Leistung.

Zum Sägen gehören zahlreiche Transporte und Umsetzvorgänge. Diesem Sachverhalt haben wir Rechnung getragen, indem wir für die verschiedenen Komponenten separate Behälter entwickelt haben. Sie bieten beim Transport einen wirksamen Schutz. Gleichzeitig verringert sich die Anzahl der zu bewegenden Ausrüstungsteile - für noch effektiveres Arbeiten.

E Introducción

Husqvarna Construction Products Sweden AB WS 325 es un sistema de sierra de pared completo, compuesto por:

Sierra de pared, rieles corto y largo con caballetes de montaje, protección de hoja de sierra y caja de transporte para las diferentes unidades de máquina.

La sierra de pared Dimas ha sido diseñada como un equipo formado por unidades manipulables por una sola persona y organizadas para una efectividad óptima de todo el trabajo, incluso todos los transportes y desplazamientos. El área de aplicación y la profundidad de corte han sido seleccionadas considerando los trabajos comunes y el potencial que permite la potencia disponible.

Para utilizar la potencia disponible con la mayor eficacia posible, se han dedicado grandes esfuerzos a desarrollar un riel seguro. Con un buen control del carro de sierra, se reducen las pérdidas por fricción entre la hoja de sierra y la superficie de corte. Es asimismo importante la selección adecuada de los componentes hidráulicos y que los distintos componentes puedan trabajar en sus áreas de rendimiento idóneas. Gracias a que los diferentes componentes del equipo trabajan con pérdidas pequeñas, se ha podido diseñar una máquina pequeña, ligera y eficaz.

Puesto que una gran parte del trabajo de aserrado se dedica a los transportes y desplazamientos, se han desarrollado cajas especiales para los distintos componentes. Las cajas proporcionan una buena protección de transporte reducen el número de bultos que es necesario desplazar entre los lugares de trabajo, lo que aumenta la eficacia.

GB



WARNING!

Under no circumstances must the power unit or the machine be modified from the original version without the permission of the manufacturer. Unapproved modifications can result in serious personal injury or even death.



WARNING!

These machines can be dangerous if they are used carelessly or incorrectly, and this can lead to serious accidents and in the worst instance fatal accidents. It is very important that you read through these operating instructions and understand them before using the machine.

F



ATTENTION !

Ces machines peuvent être dangereuses si on les utilise de manière négligente ou inappropriée, elles peuvent provoquer de graves accidents, qui peuvent être mortels dans le pire des cas. Il est extrêmement important de lire ce mode d'emploi en entier et de bien le comprendre avant d'utiliser les machines.



ATTENTION !

En aucun cas le groupe hydraulique ni la machine ne doivent subir de modifications par rapport à la conception originale sans l'autorisation du fabricant. Les modifications non autorisées peuvent provoquer de graves lésions corporelles voire entraîner la mort.

D



WARNUNG!

Ohne Genehmigung des Herstellers dürfen an Aggregat oder Maschine unter keinen Umständen Konstruktionsänderungen vorgenommen werden. Nicht genehmigte Änderungen können zu schwerwiegenden Körperschäden bis hin zur Todesfolge führen.



WARNUNG!

Diese Maschinen können eine Gefahr darstellen, wenn Sie unachtsam oder unsachgemäß eingesetzt werden. In diesen Fällen besteht Verletzungs- und Lebensgefahr. Lesen Sie unbedingt diese Bedienungsanleitung und nehmen Sie ihren Inhalt zur Kenntnis, bevor Sie mit den Maschinen arbeiten.

E



¡ADVERTENCIA!

La versión original del grupo electrógeno y la máquina no deben modificarse, por ningún concepto, sin la autorización del fabricante. Las modificaciones no autorizadas comportan riesgo de daños personales e incluso peligro de muerte.



¡ADVERTENCIA!

Estas máquinas pueden ser peligrosas si se utilizan de forma descuidada o errónea, existiendo el riesgo de accidentes graves y, en el peor de los casos, accidentes mortales. Es sumamente importante que el usuario lea estas instrucciones y comprenda su contenido antes de utilizar las máquinas.

GB Contents

Introduction	2
Safety instructions	5
Technical data	13
What is what?	17
Presentation	18
Assemble the equipment	20
Starting procedure	27
Starting Procedure and Sawing	30
Maintenance	31
Transport	33
Conformance with EU directives	34

F Table des matières

Introduction	2
Consignes de sécurité	7
Caractéristiques techniques	13
Schéma	17
Présentation	18
Montage de l'équipement	20
Procédure de mise en marche	27
Procédure de démarrage et sciage	30
Entretien	31
Transport	33
Conformité aux directives européennes	34

D Inhalt

Einleitung	2
Sicherheitsvorschriften	9
Technische Daten	13
Komponenten	17
Beschreibung	18
Ausrüstung montieren	20
Vorgehensweise beim Start	27
Vorgehensweise beim Start und Sägen	30
Wartung	31
Transport	33
Übereinstimmung mit EU-Richtlinien	34

E Contenido

Introducción	2
Instrucciones de seguridad	11
Datos técnicos	13
Componentes de la máquina	17
Presentación	18
Montar el equipo	20
Procedimiento de arranque	27
Procedimiento de arranque y corte	30
Mantenimiento	30
Transporte	33
Declaración CE de conformidad	34

Safety instructions

The objective of these operating instructions is to help you to use your machine safely, and to provide information on how maintenance should be carried out. The machine is intended to be used in industrial applications by experienced operators. Read through the operating instructions carefully before you try to use the machine.

If after reading through the instructions you are still not sure whether you fully understand the safety risks associated with its use, you should not use the machine. Contact your dealer if you need further information.

These safety instructions only consider the basics for safe use of the machine. It is not possible in safety instructions to fully describe every possible risk situation that can occur when using the machine. You can prevent accidents yourself, however, by always using your common sense.

During the design and manufacture of Husqvarna products great emphasis is placed on ensuring that they are not only effective and easy to use, but also safe. To ensure that the machine remains safe you must pay attention to the following:

1. Read through and make sure that you understand the contents of these operating instructions before you use the machine or carry out maintenance. If the operator cannot read these operating instructions, it is the responsibility of the owner to explain them to the operator.
2. All operators should be trained in how to use the machine. The owner is responsible to ensure that operators receive training.
3. Check that the machines are in perfect working condition before using them.
4. People and animals can distract you, causing you to lose control of the machine. For this reason, always remain concentrated and focused on the task.
5. Never leave machines unattended with the motor running. Rotating blades can lead to the risk of serious injuries.
6. Pay attention to the fact that clothes, long hair and jewellery can fasten in moving parts.
7. Always use the blade guard. The maximum size of saw blade that can be used when starting is 730 mm. There are also optional blade guards for 930 mm blades, which can be used after making the initial cut with a 730 mm or smaller blade. Never remove the blade guard without first switching off the power unit and making sure that the blade has completely stopped.
8. Onlookers in the working area can be injured. For this reason never start the machine unless you are sure that there are no people or animals in the work area. Cordon off the work area if necessary by using barriers.
9. Never start the machine unless you are sure there are no people or animals in the risk zone. Cordon off the work area with barriers if necessary.
10. Do not disconnect any hydraulic hoses before first switching off the power unit and allowing the motor to stop completely.
11. If an emergency does arise in spite of these measures, press the red emergency stop switch on the power unit. This is the quickest way to stop the blade and power unit.
12. Wear suitable personal protective equipment, such as a helmet, protective shoes, and eye and hearing protectors. Hearing protection must always be used when cutting, since the noise level exceeds 85 dB(A).
13. Working close to power lines:
When using hydraulic tools on or close to power lines, the hydraulic hoses must be marked and approved as "non-conducting dielectric". The use of a different type of hose can result in fatal or serious personal injuries. When replacing hoses, hoses of the "non-conducting dielectric" type must be used. The hoses must be regularly checked for their electrical conductive insulation in accordance with special instructions.
14. Working close to gas conduits:
Always check and mark out where gas conduits are routed. Cutting close to gas conduits always implies danger. Make sure that sparks are not formed when cutting in view of the risk of explosion. Remain concentrated and focused on the task. Carelessness can result in serious personal injury or death.
15. Mark out all concealed power lines and water conduits, etc. Cutting through them can result in personal injury or damage to equipment.
16. Check that the electric cable to the hydraulic power unit is not damaged, or can become damaged during the course of the work.
17. Check tools, hoses and connections daily for leakage. A leak or burst can cause an "injection" of oil into the body, or cause other serious personal injury.

Do not exceed the specified oil flow or pressure for the tool being used. Excessive flows or pressures can cause leakage or bursting.

Do not exceed the rated working pressure for the specific tool or hydraulic hose. Increased pressure can cause leaking or bursting.

Do not look for leakage with your hands. Contact with a leak can cause personal injury resulting from the high pressure in hydraulic system.

The tool must not be lifted or carried in the hoses.

Do not abuse hoses.

Do not use hoses that are distorted, worn or damaged.

18. Check that hoses are connected correctly to the tool and that the hydraulic couplings lock as intended before applying pressure to the hydraulic system. Couplings are locked by turning the outer sleeve on the female coupling so that the slot comes away from the ball. Pressure hoses in the system must always be connected to the tool's intake. Return hoses in the system must always be connected to the tool's outlet. Mixing up the connections can cause the tool to work in reverse, which can cause personal injury. Do not connect tools with a closed centre to a hydraulic system with an open centre. This can cause extreme heat in the system, and/or serious personal injury.
19. Keep hydraulic couplings free from dirt.
20. Always switch of the hydraulic power unit's main switch before moving the equipment.
21. Check that the hydraulic hoses are not damaged, or can become damaged during the course of the work. Leakage can lead to the risk of slipping.
22. The saw must not be run without cooling water. A poorly cooled blade can cause segments to come loose from the blade. The coolant also binds concrete dust.
23. Never use a damaged blade or a damaged saw.
24. Check that the wall mountings and rails are well anchored.
25. Make sure that there is always another person close at hand when you use the machines, so that you can call for help if an accident should occur.
26. Do not use machines if they do not function as they should.
27. Never change the safety devices. Check regularly that they function as they should. The machines must not be operated with defective safety devices, or without safety devices fitted.
28. Regulations for the prevention of accidents, and other general safety and occupational medicine regulations, and must always be followed.
29. Make sure that you always have first-aid close at hand when using the machines.
30. Make sure to keep your hands and feet away from rotating parts.
31. Keep all parts in functional order, and make sure that all attachment parts are correctly tightened. Replace worn or damaged decals.
32. Store the machines in a locked area, where they are inaccessible for children or adults who have not been trained to handle the machines.
33. Secure or anchor concrete blocks that have been cut loose properly. The heavy weight of material cut loose can cause extensive damage if they are not moved under controlled circumstances.
34. Always check the back of the wall where the blade comes out when cutting through. Cordon off and make sure that no people can be injured, or materials damaged.
35. Pay attention to the risk of fire during sparking and the development of heat. If there are no local fire protection regulations for cutting or grinding machines, apply the regulations for arc welding.



WARNING!

Always use approved protective clothing and approved protective equipment when you use the machines. Protective clothing and equipment cannot eliminate the risk of accidents, but by wearing the correct clothing and using the correct equipment you will probably be able to reduce the seriousness of any injuries if an accident should occur. Ask your dealer about which approved protective clothing and protective equipment is recommended.

Consignes de sécurité

Ce mode d'emploi vise à rendre plus sûre l'utilisation de votre machine, et à vous fournir des informations sur son entretien. Cette machine est conçue pour être utilisée par des opérateurs expérimentés et pour des applications industrielles. Lisez attentivement ce mode d'emploi avant d'utiliser la machine.

Si, après avoir lu le mode d'emploi, vous n'êtes toujours pas sûr d'avoir compris les risques liés à l'utilisation de la machine, ne l'utilisez pas. Contactez votre revendeur si vous souhaitez des informations supplémentaires.

Ces consignes de sécurité ne sont que d'ordre général. Il est impossible de décrire en détail toutes les situations de risque pouvant survenir lors de l'utilisation de la machine. Vous pouvez cependant vous-même prévenir des accidents en faisant toujours preuve de bon sens.

Lors de la construction et de la fabrication des produits Husqvarna, une grande attention a été portée à l'efficacité, à la maniabilité et à la sécurité. Certains points doivent par conséquent être observés en vue de préserver le haut degré de sécurité de l'appareil :

1. Lisez attentivement ce mode d'emploi dans son intégralité, et assurez-vous que vous en comprenez bien le contenu avant d'utiliser la machine ou d'effectuer des mesures d'entretien. Si l'opérateur ne peut pas lire ce mode d'emploi, il incombe au propriétaire de la machine de lui en expliquer le fonctionnement.
2. Tous les opérateurs doivent être formés à l'utilisation de la machine. La responsabilité de la formation des opérateurs incombe au propriétaire.
3. Avant d'utiliser les machines, contrôlez qu'elles sont en état de marche.
4. Les personnes et les animaux peuvent vous distraire et vous faire perdre le contrôle de la machine. Soyez donc toujours pleinement concentré sur votre travail.
5. Ne laissez jamais les machines sans surveillance lorsque le moteur tourne. Une lame en rotation peut provoquer de graves lésions.
6. Soyez conscients du fait que les vêtements, les cheveux longs et les bijoux peuvent se coincer dans les pièces mobiles.
7. Veillez à toujours utiliser le carter de scie. La dimension maximale du disque lors de la coupe initiale est de 730 mm. Des carters pour disques de 930 mm sont également proposés en option, et peuvent être utilisés après avoir effectué une première coupe avec un disque de 730 mm ou inférieur. Ne retirez jamais le carter de protection avant d'avoir mis la machine hors tension et être sûr que le groupe d'entraînement est entièrement arrêté.
8. Les personnes se trouvant à l'intérieur de la zone de travail peuvent être blessées. Ne mettez donc jamais en marche la machine sans être sûr que personne ni aucun animal ne se trouve dans cette zone. Le cas échéant, délimitez ou bloquez la zone de travail.
9. Vérifiez toujours que personne ni aucun animal ne se trouve sur la zone de travail avant de démarrer la machine. Le cas échéant, délimitez ou bloquez la zone de travail.
10. Ne débranchez jamais de flexibles hydrauliques avant d'avoir mis le groupe d'entraînement hors tension et d'être sûr que le groupe d'entraînement est entièrement arrêté.
11. Toutefois, en cas d'urgence, appuyer sur le bouton rouge d'arrêt d'urgence situé sur le groupe d'alimentation. C'est la manière la plus rapide d'arrêter la lame de scie et le groupe d'alimentation.
12. Utilisez un équipement de protection approprié, tel qu'un casque, des chaussures de protection, et des protections visuelle et auditive. Utilisez toujours une protection auditive lors du sciage, le niveau sonore dépassant alors 85 dB(A).
13. Travail à proximité de conduites électriques :
Si vous utilisez des outils hydrauliques sur ou à proximité de conduites électriques, il est impératif d'utiliser des flexibles hydrauliques marqués « non conducteurs » et homologués en tant que tels. L'utilisation d'un autre type de flexibles peut provoquer de graves lésions corporelles voire entraîner la mort. Lors du changement des flexibles, il faut utiliser des flexibles de type « non conducteur ». L'isolation électrique des flexibles doit être contrôlée régulièrement conformément à des instructions particulières.
14. Travail à proximité de conduites de gaz :
Contrôlez et marquez toujours le tracé des conduites de gaz. Le sciage à proximité de conduites de gaz constitue toujours un danger. En raison du risque d'explosion, faites en sorte qu'il ne se forme pas d'étincelles lors du sciage. Soyez pleinement concentré sur votre travail. Une négligence peut provoquer de graves lésions corporelles voire entraîner la mort.
15. Marquez le tracé de toutes les conduites invisibles telles que les conduites électriques ou les conduites d'eau. Les scier peut provoquer des lésions corporelles ou matérielles.
16. Contrôlez que le câble électrique du groupe hydraulique est intact et ne risque pas d'être endommagé en cours d'opération.
17. Contrôlez tous les jours les outils, les flexibles et les raccordements pour détecter d'éventuelles fuites. Une fuite ou une explosion peut provoquer une « injection d'huile » dans l'organisme ou d'autres lésions corporelles graves.
N'excédez pas le flux ni la pression d'huile indiqués pour l'outil utilisé. Un flux ou une pression trop élevé peut provoquer une fuite ou une explosion.
N'excédez pas la pression de travail indiquée pour l'outil ou le flexible hydraulique utilisé. Une pression trop élevée peut provoquer une fuite ou une explosion.
Ne cherchez pas à détecter les fuites à la main. Un contact avec une fuite peut provoquer des lésions corporelles en raison de la forte pression du système hydraulique.
L'outil ne doit pas être porté ni soulevé par les flexibles.
Ne malmenez pas les flexibles.
N'utilisez pas de flexibles tordus, usés ou endommagés.

18. Contrôlez que les flexibles sont correctement raccordés à l'outil, et que les raccords hydrauliques se verrouillent correctement avant de mettre le système hydraulique sous pression. Pour verrouiller les raccords, tournez le manchon de la prise femelle de manière à libérer la bille de la rainure de blocage.
Les flexibles de pression du système doivent toujours être raccordés au flexible d'arrivée de la machine. Les flexibles de retour du système doivent toujours être raccordés au flexible de sortie de la machine.
Si l'on intervertit les raccords, l'outil peut travailler « à l'envers », ce qui peut provoquer des lésions corporelles.
Ne raccordez pas d'outils à centre fermé à un système hydraulique à centre ouvert. Cela peut provoquer une chaleur extrême à l'intérieur du système et / ou de graves lésions corporelles.
19. Veillez à ce que les raccords hydrauliques soient toujours nettoyés.
20. Mettez toujours le groupe hydraulique hors tension à l'aide de l'interrupteur avant de déplacer l'équipement.
21. Contrôlez que les flexibles hydrauliques ne sont pas endommagés ni ne risquent d'être endommagés au cours du travail. Une fuite éventuelle peut impliquer un risque de dérapage.
22. La scie ne doit pas travailler sans le dispositif d'arrosage. Un disque mal refroidi peut conduire un segment à se détacher de la lame. L'eau de refroidissement fixe également la poussière de béton.
23. N'utilisez jamais une lame ou une scie endommagée.
24. Contrôlez que les fixations murales et les rails sont parfaitement fixés.
25. Faites en sorte qu'il y ait toujours quelqu'un d'autre à proximité lorsque vous utilisez les machines, pour pouvoir appeler à l'aide en cas d'accident.
26. N'utilisez pas les machines si elles ne fonctionnent pas correctement.
27. Ne modifiez jamais les dispositifs de sécurité. Contrôlez régulièrement que les machines fonctionnent correctement. Il est interdit d'utiliser des machines avec des dispositifs de sécurité endommagés ou démontés.
28. Il est impératif de toujours suivre les consignes de prévention d'accidents et autres consignes générales de sécurité, ainsi que les réglementations de la médecine du travail.
29. Assurez-vous de toujours avoir une trousse de sécurité à proximité lorsque vous utilisez les machines.
30. Assurez-vous que vos mains et vos pieds ne soient pas à proximité d'éléments en rotation.
31. Maintenez tous les composants en bon état de marche et faites en sorte que tous les éléments de fixation soient bien serrés. Remplacez les autocollants usés ou endommagés.
32. Entrez les machines dans un endroit verrouillé où elles sont inaccessibles aux enfants et aux adultes non formés à leur utilisation.
33. Fixez ou arrimez bien solidement les blocs de béton sciés. Les blocs lourds de matériau scié peuvent provoquer de graves lésions s'ils ne sont pas déplacés de manière contrôlée.
34. Contrôlez toujours le dos du mur que la scie doit traverser. Délimitez / bloquez la zone de travail et assurez-vous qu'il n'y a aucun risque de lésions corporelles ni matérielles.
35. Pensez au risque d'incendie en cas de formation d'étincelles et de production de chaleur. En l'absence de consignes locales de protection contre l'incendie pour les machines à tronçonner et à poncer, appliquez les dispositions relatives à la soudure à l'arc.



ATTENTION !

Utilisez toujours des vêtements de protection et un équipement de protection homologués lorsque vous maniez les machines. Les vêtements et autres équipements de protection ne peuvent pas éliminer le risque d'accidents, mais en utilisant les vêtements et l'équipement appropriés, vous pouvez peut-être atténuer la gravité de lésions éventuelles en cas d'accident. Demandez à votre revendeur quels vêtements de protection et quel équipement de protection homologués sont recommandés.

D Sicherheitsvorschriften

Diese Bedienungsanleitung enthält Hinweise zur sicheren Bedienung und optimalen Wartung Ihrer Maschine. Die Maschine ist für den Einsatz im Industriebereich konzipiert und von erfahrenem Personal zu bedienen. Lesen Sie die Bedienungsanleitung sorgfältig, bevor Sie mit der Maschine arbeiten.

Wenn nach dem Lesen des Dokuments weiterhin Unklarheiten zu den Sicherheitsrisiken bestehen, die mit einem Einsatz der Maschine verbunden sind, ist von einer Verwendung der Maschine abzusehen. Wenden Sie sich für weitere Informationen an Ihren Händler.

Bei den folgenden Hinweisen handelt es sich lediglich um grundlegende Sicherheitsvorgaben. Es ist nicht möglich, jede potenzielle Gefahrensituation beim Arbeiten mit der Maschine ausführlich darzustellen. Durch gesunden Menschenverstand können die meisten Unfälle verhindert werden.

Bei der Konstruktion und Herstellung von Husqvarna-Produkten liegt unser Hauptaugenmerk auf Effektivität, Benutzerfreundlichkeit und Sicherheit. Beachten Sie Folgendes, um einen sicheren Maschinenbetrieb zu gewährleisten:

1. Lesen und verstehen Sie den Inhalt dieser Bedienungsanleitung, bevor Sie die Maschine in Betrieb nehmen oder an ihr Wartungsarbeiten ausführen. Wenn der Bediener diese Anleitung nicht lesen kann, liegt es im Verantwortungsbereich des Eigentümers, den Bediener über ihren Inhalt zu unterrichten.
2. Sämtliches Bedienpersonal ist für den Umgang mit dieser Maschine zu schulen. Die Verantwortung für die erforderliche Ausbildung liegt beim Eigentümer.
3. Kontrollieren Sie vor der Verwendung, ob die Maschine betriebsstauglich ist.
4. Menschen und Tiere können Sie beim Arbeiten von der Maschine ablenken. Konzentrieren Sie sich daher stets vollständig auf Ihre Arbeitsaufgabe.
5. Lassen Sie die Maschine bei laufendem Motor nie unbeaufsichtigt. Die rotierende Klinge stellt eine potenzielle Gefahrenquelle dar.
6. Bedenken Sie, dass sich Kleidungsstücke, lange Haare und Schmuck in beweglichen Teilen verfangen können.
7. Benutzen Sie stets den Klingenschutz. Die maximale Startgröße der Sägeklinge beträgt 730 mm. Ein Klingenschutz für 930 ist als Zubehör erhältlich. Er kann nach dem Vorsägen mit einer 730-mm-Klinge (oder kleiner) eingesetzt werden. Nehmen Sie den Klingenschutz erst ab, nachdem Sie das Aggregat abgeschaltet haben. Vergewissern Sie sich, dass die Klinge vollständig zum Stillstand gekommen ist.
8. Weitere Anwesende im Maschinenbereich sind einer Gefährdung ausgesetzt. Stellen Sie daher vor Inbetriebnahme des Geräts stets sicher, dass sich weder Personen noch Tiere im Arbeitsbereich aufhalten. Sperren Sie den Arbeitsbereich bei Bedarf ab.
9. Stellen Sie vor Inbetriebnahme des Geräts stets sicher, dass sich weder Personen noch Tiere im Gefahrenbereich aufhalten. Sperren Sie den Arbeitsbereich bei Bedarf ab.
10. Hydraulikschläuche dürfen erst abgenommen werden, nachdem das Aggregat abgeschaltet wurde und der Motor zum Stillstand gekommen ist.
11. Sollte trotzdem eine Gefahrensituation eintreten, den roten Nothaltschalter am Aggregat drücken. Auf diese Weise werden Sägeklinge und Aggregat am schnellsten abgeschaltet.
12. Verwenden Sie eine ausreichende persönliche Schutzausrüstung wie Helm, Sicherheitsschuhe, Augen- und Gehörschutz. Beim Ausführen von Sägearbeiten ist stets ein Gehörschutz zu tragen, da der Geräuschpegel 85 dB(A) überschreitet.
13. Bei Arbeiten in der Nähe elektrischer Leitungen:
Beim Einsatz von Hydraulikwerkzeugen an oder bei elektrischen Leitungen sind Hydraulikschläuche zu verwenden, die als "nicht elektrisch leitend" eingestuft und gekennzeichnet wurden. Die Verwendung anderer Schläuche kann zu schweren Personenschäden bis hin zur Todesfolge führen. Beim Schlauchwechsel sind Schläuche vom Typ "nicht elektrisch leitend" zu benutzen. Die Schläuche sind regelmäßig auf ihre elektrische Isolierfähigkeit zu überprüfen. Dafür gelten gesonderte Anweisungen.
14. Bei Arbeiten in der Nähe von Gasleitungen:
Überprüfen Sie den Arbeitsbereich stets auf das Vorhandensein von Gasleitungen und kennzeichnen Sie deren Verlauf. Das Sägen in der Nähe von Gasleitungen stellt eine potenzielle Gefahrensituation dar. Vermeiden Sie eine Funkenbildung beim Sägen. Andernfalls besteht Explosionsgefahr. Konzentrieren Sie sich vollständig auf Ihre Arbeitsaufgabe. Unachtsamkeit kann zu schweren Personenschäden bis hin zur Todesfolge führen.
15. Kennzeichnen Sie alle verborgenen Leitungen, wie etwa Strom- und Wasserleitungen. Ein Ansägen dieser Leitungen kann zu Personenschäden oder einer Beschädigung der Ausrüstung führen.
16. Überprüfen Sie das Stromkabel für das Hydraulikaggregat auf Unversehrtheit. Achten Sie darauf, dass es beim Arbeiten nicht beschädigt wird.
17. Überprüfen Sie täglich Werkzeuge, Schläuche und Anschlüsse auf Undichtigkeiten. Lecks oder Explosionen können zu einem Eindringen von Öl in den Körper oder anderen schweren Personenschäden führen.
Überschreiten Sie nicht die für das jeweilige Werkzeug angegebenen Werte für Öldurchfluss oder Öldruck. Ein zu hoher Durchfluss oder Druck kann zu Undichtigkeiten oder Explosionen führen.
Überschreiten Sie nicht den angegebenen Betriebsdruck für das verwendete Werkzeug oder den verwendeten Hydraulikschlauch. Ein überhöhter Druck kann zu Undichtigkeiten oder Explosionen führen.
Suchen Sie nicht mit der Hand nach Undichtigkeiten. Bei Kontakt mit einem Leck können durch den hohen Druck im Hydrauliksystem Personenschäden entstehen.
Das Werkzeug darf nicht an den Schläuchen angehoben oder getragen werden.
Achten Sie stets auf die Unversehrtheit der verwendeten Schläuche.
Benutzen Sie keine deformierten, verschlissenen oder beschädigten Schläuche.

18. Vergewissern Sie sich, dass die Schläuche korrekt an das Werkzeug angeschlossen sind und die Hydraulikkupplungen ordnungsgemäß verriegelt wurden, bevor das Hydrauliksystem unter Druck gesetzt wird. Um die Kupplungen zu verriegeln, drehen Sie die Außenhülse der Buchsenkupplung, wodurch sich die Nut von der Kugel entfernt.
Die Druckschläuche des Systems sind stets an den Werkzeugeinlass anzuschließen. Die Rücklaufschläuche des Systems sind stets an den Werkzeugauslass anzuschließen. Durch eine Verwechslung der Anschlüsse kann das Werkzeug rückwärts arbeiten und damit Personenschäden verursachen.
Schließen Sie keine Werkzeuge mit geschlossenem Zentrum an ein Hydrauliksystem mit offenem Zentrum an. Dadurch kann es zu extremer Hitzeentwicklung im System und bzw. oder zu Personenschäden kommen.
19. Halten Sie die Hydraulikkupplungen stets sauber.
20. Stellen Sie den Hauptschalter für das Hydraulikaggregat stets aus, bevor Sie die Ausrüstung umsetzen.
21. Überprüfen Sie die Hydraulikschläuche auf Unversehrtheit. Stellen Sie sicher, dass die Schläuche beim Arbeiten nicht beschädigt werden. Eine etwaige Undichtigkeit kann Rutschgefahr verursachen.
22. Die Säge darf nur mit Kühlwasser betrieben werden. Von einer unzureichend gekühlten Klinge können sich Klingensegmente lösen. Das Kühlwasser bindet darüber hinaus Betonstaub.
23. Verwenden Sie niemals beschädigte Klingen oder Sägen.
24. Vergewissern Sie sich, dass Wandbefestigungen und Schiene ordnungsgemäß verankert sind.
25. Beim Arbeiten mit der Maschine muss stets eine weitere Person anwesend sein, die bei Unfällen Hilfestellung leisten kann.
26. Benutzen Sie die Maschine nur, wenn sie einwandfrei funktioniert.
27. Nehmen Sie keinerlei Änderungen an den Sicherheitsvorrichtungen vor. Kontrollieren Sie regelmäßig deren einwandfreie Funktionsweise. Maschinen mit defekten oder demontierten Sicherheitsvorrichtungen dürfen nicht in Betrieb genommen werden.
28. Unfallvorbeugende Vorschriften, andere allgemeine Sicherheitsrichtlinien und arbeitsmedizinische Vorgaben sind stets zu befolgen.
29. Beim Arbeiten mit den Maschinen muss sich ein Erste-Hilfe-Set in der Nähe befinden.
30. Füße und Hände dürfen nicht in den Bereich rotierender Maschinenteile gelangen.
31. Achten Sie auf die ständige Funktionstüchtigkeit aller Komponenten. Überprüfen Sie, dass alle Befestigungen korrekt angezogen sind. Ersetzen Sie abgenutzte oder beschädigte Maschinenschilder.
32. Stellen Sie die Maschine in einem verschlossenen Raum ab, der für Kinder sowie für Erwachsene ohne besondere Ausbildung für die Verwendung der Maschine unzugänglich ist.
33. Sichern oder verankern sie abgesägte Betonblöcke ausreichend. Freigesägte Materialien mit hohem Gewicht können schwere Schäden verursachen, wenn sie nicht kontrolliert bewegt werden.
34. Prüfen Sie stets die Wandrückseite, an der die Klinge beim Durchsägen heraustritt. Sichern bzw. sperren Sie diese Bereiche. Vergewissern Sie sich, dass weder Menschen noch Material zu Schaden kommen.
35. Beachten Sie die Brandgefahr bei Funkenbildung und Wärmeentwicklung. Wenn keine lokalen Brandschutzbestimmungen für Trenn- oder Schleifmaschinen vorliegen, gelten dieselben Bestimmungen wie beim Lichtbogenschweißen.



WARNUNG!

Tragen Sie beim Arbeiten mit den Maschinen stets zugelassene Schutzkleidung und Schutzausrüstung. Schutzkleidung und Schutzausrüstung kann die Unfallgefahr nicht eliminieren. Durch die Verwendung von entsprechender Bekleidung und Ausrüstung können Sie jedoch unter Umständen das Schadensausmaß bei eventuellen Unfällen verringern. Empfehlungen für zugelassene Schutzbekleidung und Schutzausrüstung erhalten Sie von Ihrem Händler.

Instrucciones de seguridad

El objeto de este manual de instrucciones es ayudar al usuario a utilizar la máquina de forma segura y proporcionar información sobre cómo efectuar el mantenimiento. La máquina está destinada a ser utilizada en aplicaciones industriales, por operadores experimentados. Leer detenidamente el manual de instrucciones antes de intentar usar la máquina.

El operador no debe utilizar la máquina si después de leer el manual de instrucciones no está seguro de haber comprendido los riesgos de seguridad derivados de la utilización de la misma. Para más información, contactar con el distribuidor.

Las instrucciones de seguridad que siguen sólo tratan de los fundamentos para la utilización segura de la máquina. En las instrucciones de seguridad no es posible describir totalmente todas las situaciones de riesgo que pueden producirse al utilizar la máquina. No obstante, el operador puede prevenir accidentes utilizando siempre el sentido común.

En el diseño y fabricación de los productos Husqvarna se ha concedido una importancia primordial a que, además de ser eficaces y fáciles de manejar, también sean seguros. Para mantener la seguridad de la máquina hay que considerar varios factores:

1. Leer este manual de instrucciones y comprender el contenido antes de empezar a utilizar las máquinas o efectuar trabajos de mantenimiento en ellas. Si el operador no puede leer este manual de instrucciones, es responsabilidad del propietario explicarle el contenido de las mismas.
2. Todos los operadores deben ser formados en la utilización de la máquina. El propietario es responsable de la formación de los operadores.
3. Comprobar que las máquinas estén en perfecto estado antes de utilizarlas.
4. Las personas y animales pueden distraer al operador, haciendo que pierda el control de las máquinas. Por consiguiente, el operador debe estar siempre concentrado en el trabajo.
5. No dejar nunca las máquinas sin supervisión con el motor en marcha. La hoja de sierra giratoria comporta riesgo de daños graves.
6. Tener cuidado para evitar que las prendas de vestir, el pelo largo o las joyas se agarren en piezas móviles.
7. Utilizar siempre la protección de hoja de sierra. El tamaño máximo de hoja de sierra que se puede usar al principio es de 730 mm. Como accesorio opcional hay también disponibles protecciones para hojas de sierra de 930 mm que se pueden utilizar después del aserrado previo con hojas de 730 mm o más pequeñas. No desmontar nunca la protección de hoja de sierra sin antes haber parado el rupo electrógeno y comprobado que la hoja está totalmente parada.
8. Hay riesgo de dañar a espectadores que se encuentren dentro de la zona de trabajo. Por consiguiente, no se debe poner en marcha la máquina sin haber comprobado que no hay personas ni animales en la zona de trabajo. Si es necesario, cercar la zona de trabajo.
9. No se debe poner en marcha la máquina sin haber comprobado que no hay personas ni animales en la zona de riesgo. Si es necesario, cercar el lugar de trabajo.
10. No desacoplar mangueras hidráulicas sin antes haber parado el grupo electrógeno y esperado que el motor se pare completamente.
11. Si a pesar de todo se produjera una emergencia, presionar el interruptor de prada de emergencia de color rojo del grupo energétioco. Ésta es la mejor forma de parar la hoja de sierra y el grupo electrógeno.
12. Utilizar equipos de protección personal adecuados; como casco, calzado protector, gafas y protectores auriculares. Al aserrar deben utilizarse siempre protectores auriculares porque el nivel sonoro es superior a 85 dB(A).
13. Trabajo cerca de cables eléctricos:
Para utilizar herramientas hidráulicas en o cerca de cables eléctricos, las mangueras hidráulicas deben estar marcadas y homologadas como "no conductoras de electricidad". El uso de mangueras de otro tipo comporta riesgo de muerte y daños personales graves. Al cambiar las mangueras, deben usarse como repuestos mangueras del tipo "no conductoras de electricidad". Las mangueras deben revisarse regularmente en lo referente al aislamiento de cable eléctrico, según instrucciones especiales.
14. Trabajo cerca de conductos de gas:
Averiguar y marcar siempre el trazado de los conductos de gas: El aserrado cerca de conductos siempre es peligroso. Procurar que no se generen chispas durante el aserrado puesto que hay un cierto riesgo de explosión. El operador debe estar siempre concentrado en el trabajo. Las imprudencias comportan riesgo de daños personales graves y peligro de muerte.
15. Marcar todos los conductos ocultos; como cables eléctricos y tuberías de agua. El corte de un conducto de este tipo comporta riesgo de daños personales y materiales.
16. Comprobar que el cable eléctrico del equipo hidráulico esté intacto y que no pueda ser dañado durante el trabajo.
17. Revisar diariamente las herramientas, las mangueras y las conexiones para ver si hay fugas. Una fuga u un reventón puede causar una "inyección de aceite" en el cuerpo o causar daños personales graves de otro tipo.
No sobrepasar el flujo de aceite o la presión especificados para las herramientas que se utilizan. Un flujo o una presión excesivos pueden dar lugar a fugas o reventones.
No sobrepasar la presión de trabajo clasificada para la herramienta o la manguera hidráulica que se utiliza. Una presión excesiva puede causar fugas o reventones.
No buscar fugas con la mano. El contacto con una fuga puede causar daños personales debido a la presión alta que hay en el sistema hidráulico.
La herramienta no se debe levantar ni transportar agarrando las mangueras.
Evitar la manipulación descuidada de las mangueras.

18. Antes de presurizar el sistema hidráulico, comprobar que las mangueras estén correctamente conectadas en la herramienta y que los acoplamientos hidráulicos estén fijados como es debido. Los acoplamientos se fijan girando el manguito exterior del acoplamiento hembra de forma que la ranura se aparte de la bola.
Las mangueras de presión del sistema deben conectarse siempre en la entrada de la herramienta. Las mangueras de retorno del sistema deben conectarse siempre en la salida de la herramienta. Si se confunden las conexiones, la herramienta puede funcionar hacia atrás, causando daños personales.
No conectar una herramienta con centro cerrado a un sistema hidráulico con centro abierto. Ello puede causar un recalentamiento excesivo del sistema y/o daños personales graves.
19. Mantener limpios los acoplamientos hidráulicos.
20. Desconectar siempre el interruptor principal del equipo hidráulico antes de efectuar cualquier desplazamiento del equipo.
21. Comprobar que las mangueras hidráulicas estén intactas y que no puedan ser dañadas durante el trabajo. Una fuga puede comportar riesgo de resbalamiento.
22. La sierra no debe funcionar sin agua refrigerante. Si una hoja de sierra está mal refrigerada pueden soltarse segmentos de la misma. Además, el agua refrigerante también liga el polvo de cemento.
23. No utilizar nunca una hoja de sierra o una sierra dañada.
24. Comprobar que los soportes de pared y el riel estén bien fijos.
25. Al usar las máquinas, procurar que haya alguna otra persona cerca, que pueda proporcionar auxilio en caso de accidente.
26. No utilizar las máquinas si no funcionan como es debido.
27. No modificar nunca los dispositivos de seguridad. Comprobar regularmente que funcionan como es debido. Las máquinas no deben hacerse funcionar con dispositivos de seguridad defectuosos o desmontados.
28. Deben observarse siempre las reglamentaciones en materia de prevención de accidentes, otras reglamentaciones generales en materia de seguridad y las reglamentaciones de medicina laboral.
29. Tener siempre a mano un botiquín de primeros auxilios cuando se usen las máquinas.
30. Mantener las manos y los pies apartados de las piezas rotativas.
31. Mantener todas las piezas en estado funcional y comprobar que los elementos de fijación estén bien apretados. Cambiar las pegatinas gastadas o dañadas.
32. Guardar las máquinas en un recinto cerrado con llave, inaccesible para niños y adultos que no hayan sido formados en su manejo.
33. Fijar o anclar bien los bloques de hormigón cortados. Los grandes pesos del material que se corta pueden causar daños de consideración si no se pueden desplazar de forma controlada.
34. Controlar siempre la parte posterior de la pared, donde sale la hoja de sierra en caso de penetración. Asegurar, cercar y procurar que no se puedan causar daños personales ni materiales.
35. Tener en cuenta el peligro de incendio si se generan chispas y por desarrollo térmico. Si no hay reglamentación local en materia de protección contra incendios para máquinas cortadoras y pulidoras, aplicar la normativa relativa a la soldadura por arco.



¡ADVERTENCIA!

Usar siempre ropas de protección homologadas y equipos de protección homologados para trabajar con las máquinas. Las ropas de protección y los equipos de protección no pueden eliminar el riesgo de accidentes. Sin embargo, el usuario, utilizando las ropas y equipos adecuados, puede reducir la gravedad de eventuales daños en caso de accidente. Consultar con el concesionario en cuanto a las ropas de protección homologadas y los equipos de protección homologados que se recomiendan.

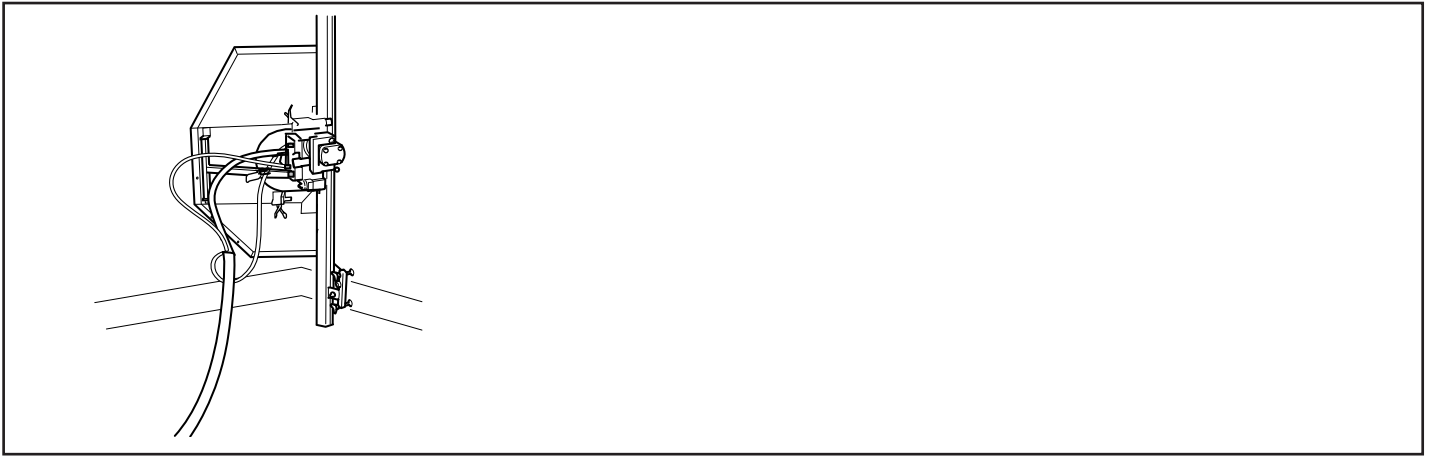


Fig. 1

GB Technical data

Specified hydraulic power output _____	9,2 kw (12,3 hp)
Hydraulic oil flow _____	40 l/min (10,6 US gal/min)
Pressure, max _____	140 bar (1970 psi)
Trolley feed _____	manuell
Blade feed _____	manuell

F Caractéristiques techniques

Effet hydraulique _____	9,2 kw (12,3 hp)
Flux d'huile hydraulique _____	40 l/min (10,6 US gal/min)
Pression, maxi _____	140 bar (1970 psi)
Avance longitudinale _____	manuelle
Alimentation _____	manuelle

D Technische Daten

Hydraulikausgangsleistung _____	9,2 kW (12,3 hp)
Hydraulikölfluss _____	40 l/min (10,6 US gal/min)
Druck, max. _____	140 Bar (1970 psi)
Längsvorschub _____	manueller
Vorschub _____	manueller

E Datos técnicos

Potencia hidráulica nominal _____	9,2 kW (12,3 hp)
Caudal de aceite hidráulico _____	40 l/min (10,6 US gal/min)
Presión máxima _____	140 bar (1970 psi)
Avance longitudinal _____	manual
Alimentación _____	manual

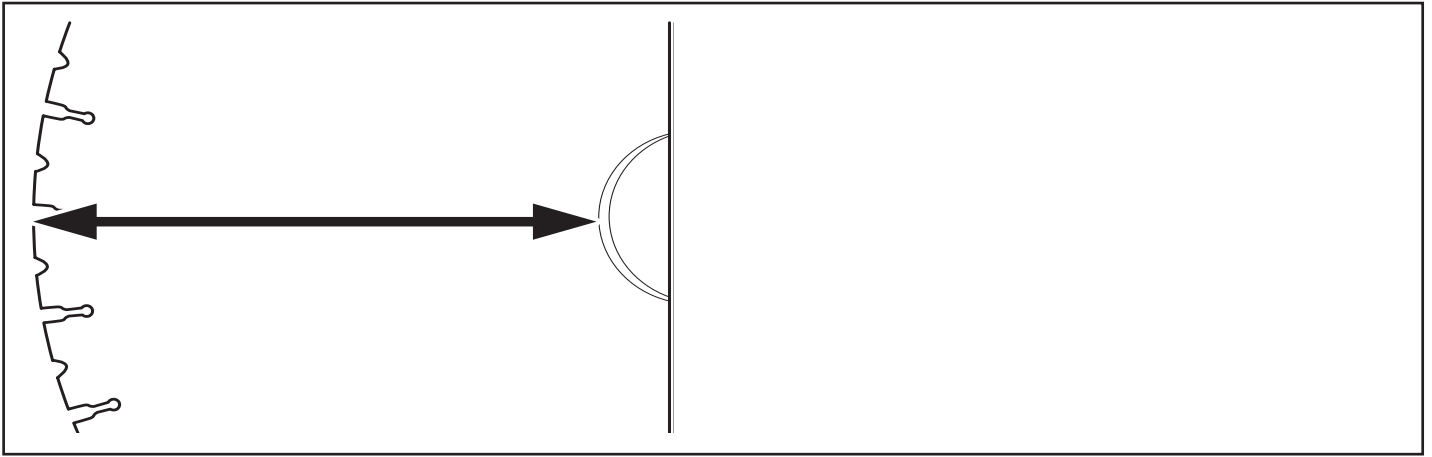


Fig. 2

GB Cutting capacity

700 mm (28") blade diameter
 (max start blade) wall thickness _____ 300 mm (12")
 900 mm (36") blade diameter
 (max diameter) wall thickness _____ 400 mm (16")

F Capacité de coupage

700 mm (28") diamètre de disque
 (disque de démarrage maxi) _____ Épaisseur de mur 300 mm (12")
 900 mm (36") diamètre de disque
 (diamètre maxi) _____ Épaisseur de mur 400 mm (16")

D Schnittleistung

700 mm Klingendurchmesser (max. Startklinge) _____ Wanddicke 300 mm
 900 mm Klingendurchmesser (max. Durchmesser) _____ Wanddicke 400 mm

E Capacidad de corte

Diámetro de hoja de sierra (hoja inicial) _____ 700 mm (28") grosor de pared 300 mm (12")
 Diámetro de hoja de sierra (diámetro máximo) _ 900 mm (36") grosor de pared 400 mm (16")

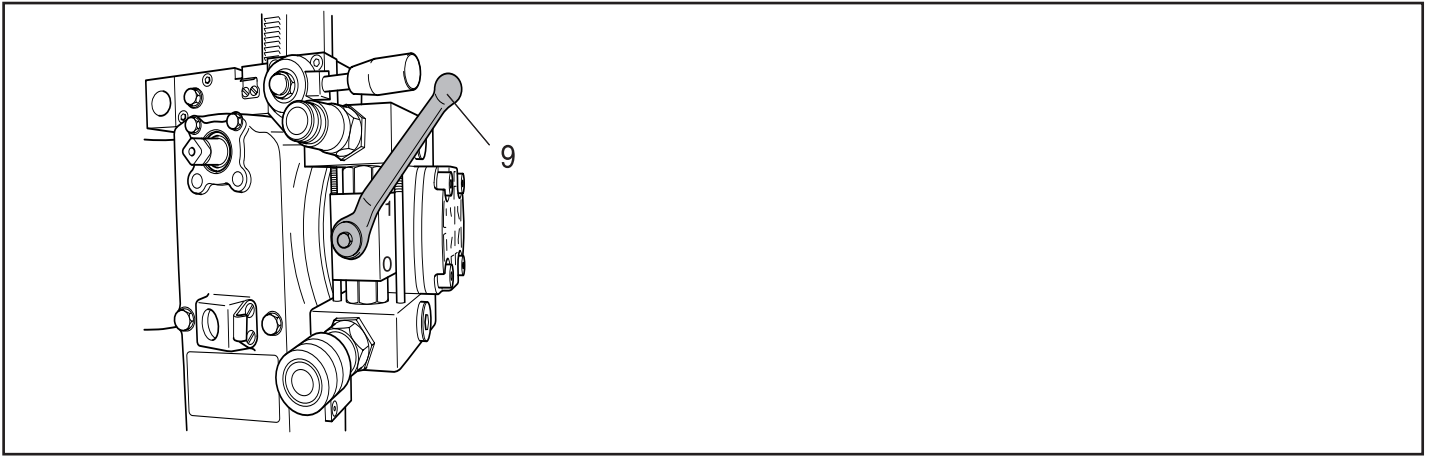


Fig. 3

(GB) Cutting speed m/s, ft/min

Blade diameter mm	600	700	900
Spindle speed 1100 rpm	m/s	m/s	m/s
Lever position 1, see fig.	35	40	51

Blade diameter	24"	28"	36"
Spindle speed 1100 rpm	ft/min	ft/min	ft/min
Lever position 1, see fig.	6912	8063	10367

(F) Vitesse de coupage m/s, ft/min

Diamètre du disque en mm	600	700	900
Nombre de rotations 1100 r/min	m/s	m/s	m/s
Position de levier 1, voir la figure	35	40	51

Diamètre du disque	24"	28"	36"
Nombre de rotations 1100 rpm	ft/min	ft/min	ft/min
Position de levier 1, voir la figure	6912	8063	10367

(D) Schnittgeschwindigkeit m/s, ft/min

Klingendurchmesser mm	600	700	900
Spindeldrehzahl 1100 U/min	m/s	m/s	m/s
Hebelstellung 1, siehe Abb.	35	40	51

Klingendurchmesser	24"	28"	36"
Spindeldrehzahl 1100 U/min	ft/min	ft/min	ft/min
Hebelstellung 1, siehe Abb.	6912	8063	10367

(E) Velocidad de corte m/s, ft/min

Diámetro de hoja de sierra, mm	600	700	900
Velocidad del husillo 1.100 r.p.m.	m/s	m/s	m/s
Posición de palanca 1, ver la fig.	35	40	51

Terähalkaisija	24"	28"	36"
Velocidad del husillo 1.100 r.p.m.	ft/min	ft/min	ft/min
Posición de palanca 1, ver la fig.	6912	8063	10367

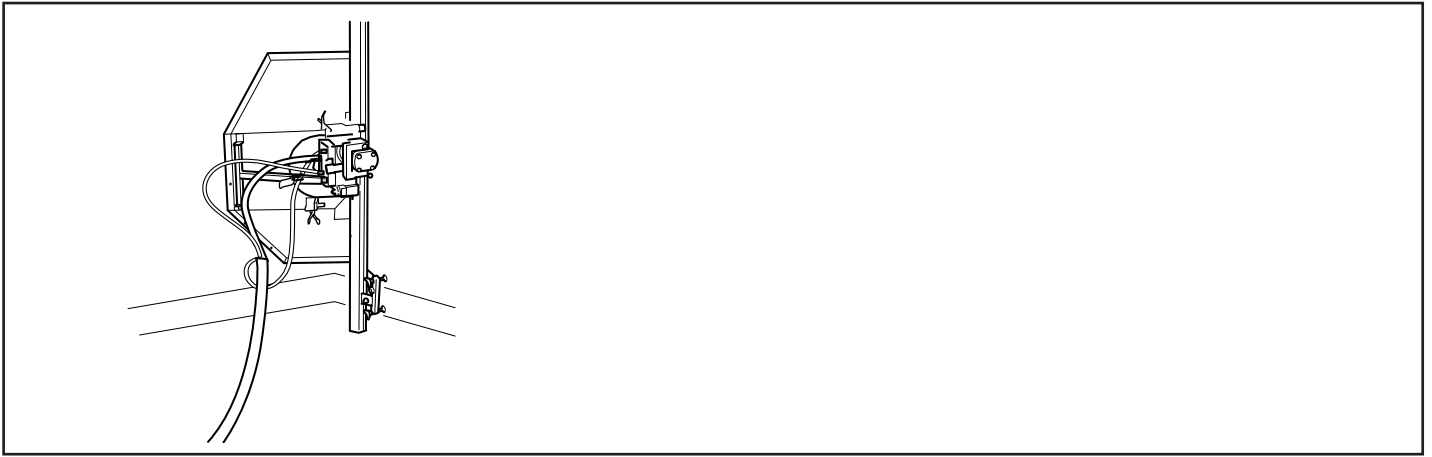


Fig. 4

GB Weight

Total weight of complete system: _____ approx. 80 kg (180 lbs)

Individual parts:

Wall saw unit: _____ 24 kg (54 lbs)

Blade guard diam. 700 mm (28") _____ 12 kg (27 lbs)

Rails

L = 1310 mm (51") _____ 13 kg (30 lbs)

L = 2270 mm (89") _____ 24 kg (55 lbs)

F Poids

Poids total de l'ensemble _____ env. 80 kg (180 lbs)

Composants unitaires :

Unité de scie murale _____ 24 kg (54 lbs)

Carter de scie, diam. 700 mm (28") _____ 12 kg (27 lbs)

Rails

L = 1310 mm (51") _____ 13 kg (30 lbs)

L = 2270 mm (89") _____ 24 kg (55 lbs)

D Gewicht

Systemgesamtgewicht _____ ca. 80 kg (180 lbs)

Einzelkomponenten:

Wandsägeeinheit _____ 24 kg (54 lbs)

Klingenschutz, Durchm. 700 mm (28") _____ 12 kg (27 lbs)

Schiene L=1310 mm (51") _____ 13 kg (30 lbs)

L= 2270 mm (89") _____ 24 kg (55 lbs)

E Peso

Peso total del sistema completo _____ aprox. 80 kg (180 lbs)

Componentes:

Sierra de pared _____ 24 kg (54 lbs)

Protección de hoja de sierra diám. 700 mm (28") _____ 12 kg (27 lbs)

L de riel = 1.310 mm (51") _____ 13 kg (30 lbs)

L = 2.270 mm (89") _____ 24 kg (55 lbs)

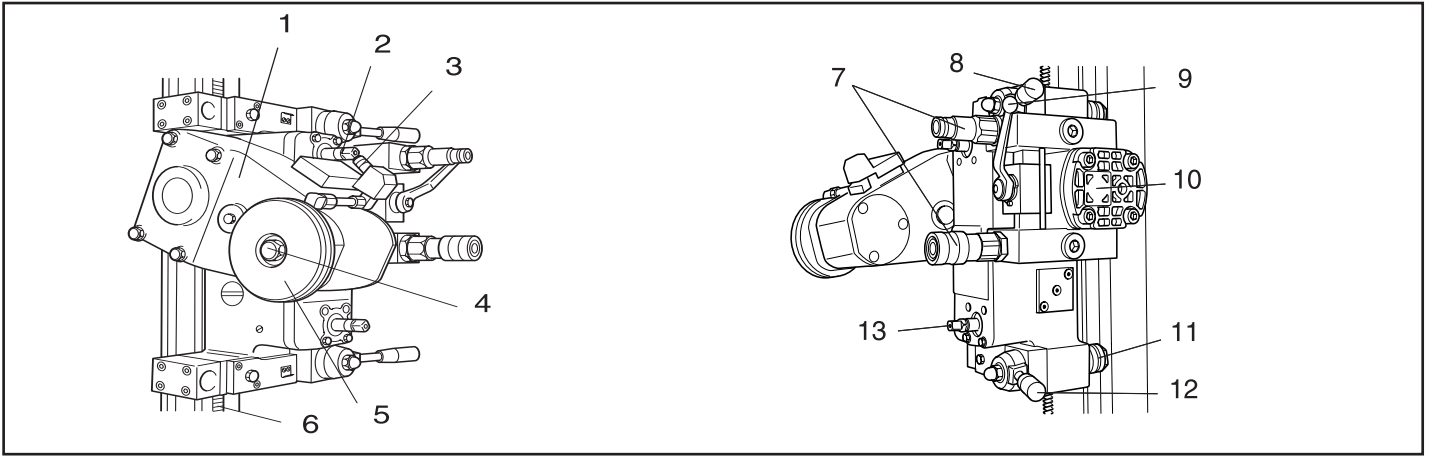


Fig. 5

Fig. 6

GB What is what?

Saw motor

- 1. Cutting arm
- 2. Blade motion
- 3. Cooling water connection
- 4. Bolt, blade flange
- 5. Outer pressure seal

- 6. Rail
- 7. Hydraulic hose connections
- 8. Lock knob, upper
- 9. Lever, main valve
- 10. Hydraulic motor
- 11. Guide wheel, lower
- 12. Lock knob, lower
- 13. Trolley motion

F Schéma

Moteur de la scie

- 1. Bras pivotant
- 2. Entrée
- 3. Raccordement de l'eau de refroidissement
- 4. Vis, bride de la lame
- 5. Rondelle élastique externe

- 6. Rail
- 7. Raccords des flexibles hydrauliques
- 8. Manette de verrouillage, supérieure
- 9. Levier, vanne principale
- 10. Moteur hydraulique
- 11. Roue de guidage, inférieure
- 12. Manette de verrouillage, inférieure
- 13. Alimentation en longueur

D Komponenten

Sägenmotor

- 1. Schwenkarm
- 2. Vorschub
- 3. Kühlwasseranschluss
- 4. Schraube, Klingensflansch
- 5. Äußere Druckscheibe

- 6. Schiene
- 7. Hydraulikschlauchanschlüsse
- 8. Verriegelungsgriff, oben
- 9. Hebel, Hauptventil
- 10. Hydraulikmotor
- 11. Führungsräd, unten
- 12. Verriegelungsgriff, unten
- 13. Längsvorschub

E Componentes de la máquina

Motor de sierra

- 1. Brazo oscilante
- 2. Avance de entrada
- 3. Conexión de agua refrigerante
- 4. Tornillo, brida de hoja
- 5. Arandela de empuje exterior

- 6. Riel
- 7. Conexiones de mangueras hidráulicas
- 8. Manija de fijación superior
- 9. Palanca, válvula principal
- 10. Motor hidráulico
- 11. Rueda de guía inferior
- 12. Manija de fijación inferior
- 13. Avance longitudinal

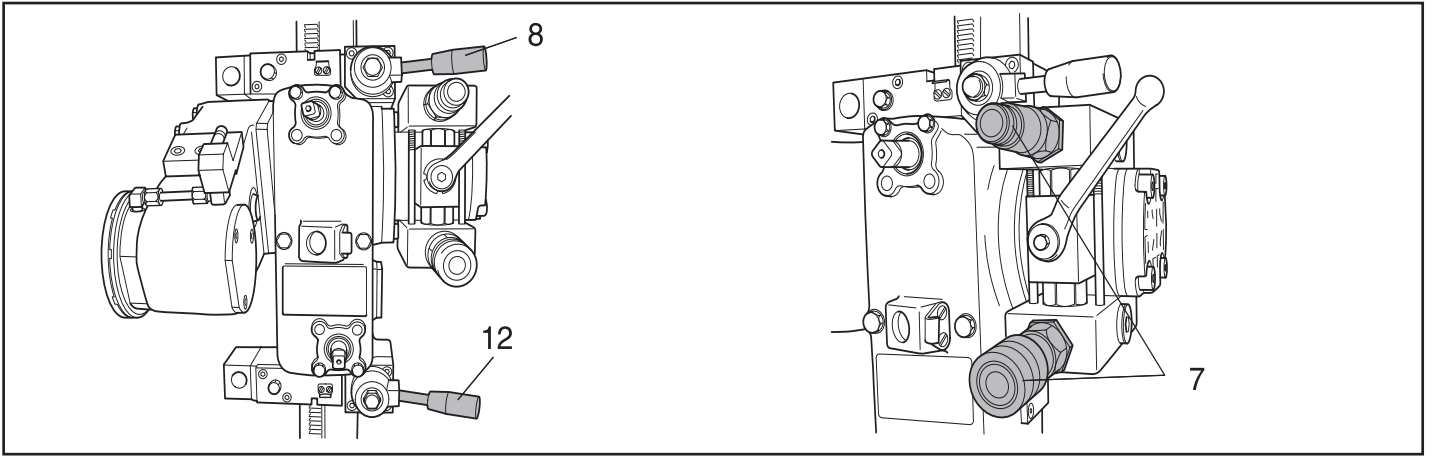


Fig. 7

Fig. 8

(GB) Presentation

Saw motor

Lock knobs (8, 12)

The saw motor is locked on the rails with these. The handles are turned to the click position when setting up the saw.

Hydraulic hose connections (7)

The hoses drive the saw blade.

NOTE!
Keep the area round the hydraulic hoses clean.

(F) Présentation

Moteur de la scie

Manettes de blocage (8, 12)

Ces manettes permettent de fixer le moteur de la scie sur le rail. Tournez les poignées jusqu'à ce qu'elles s'enclenchent en position de verrouillage lors du montage de la scie.

Raccordement des flexibles hydrauliques (7)

Les flexibles entraînent le disque.

NB :
Faites en sorte que les raccords hydrauliques restent propres.

(D) Beschreibung

Sägenmotor

Verriegelungsgriffe (8, 12)

Mit diesen Griffen verriegeln Sie den Sägenmotor auf der Schiene. Die Griffen müssen bei der Sägenmontage einklicken.

Hydraulikschlauchanschlüsse (7)

Die Schläuche treiben die Sägeklinge an.

HINWEIS!
Halten Sie den Bereich um die Hydraulikschlauchanschlüsse sauber.

(E) Presentación

Motor de sierra

Manijas de fijación (8, 12)

Con estas manijas se fija el motor en el riel. Girar las manijas hasta la posición de encaje (suena un chasquido) al montar la sierra.

Conexiones de mangueras hidráulicas (7)

Las mangueras accionan la hoja de sierra.

¡ATENCIÓN!
Mantener limpios los alrededores de las conexiones de mangueras hidráulicas.

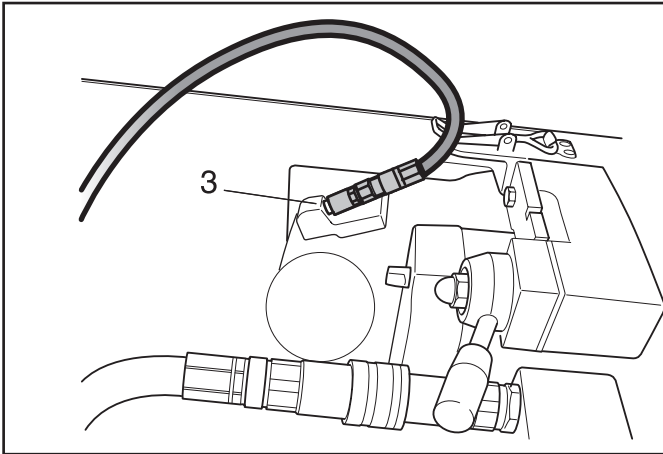


Fig. 9

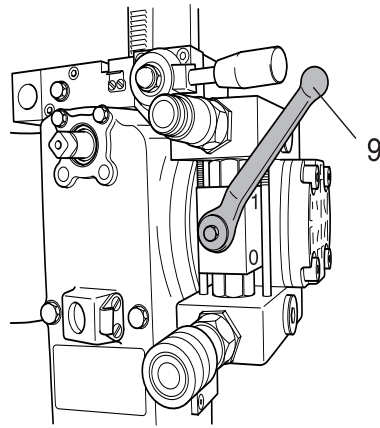


Fig. 10

GB Cooling water connection (3)

It cools and lubricates the blade. The other end of the hose is normally connected to the power unit.

NOTE!

The saw must never be used without water.

Main Valve (9)

The lever activates the main valve, which starts and stops the saw's hydraulic motor. Lever positions 0 and 1 are indicated by the markings on the valve block. There are no intermediate positions, which is why the rotation speed cannot be altered with the lever. The illustration shows the lever in position 1 (motor rotating).

F Raccordement du tuyau d'arrosage (3)

De plus, elle refroidit et lubrifie la lame. Normalement, l'autre extrémité du tuyau doit être branchée sur le groupe d'alimentation.

NB :

La scie ne doit jamais fonctionner sans eau.

Vanne principale (9)

Le levier agit sur la vanne principale qui démarre et arrête le moteur hydraulique de la scie. Les positions de levier 0 et 1 sont indiquées par un marquage sur le bloc de vannes. Aucune position intermédiaire n'étant disponible, le régime ne peut pas être modifié avec le levier. L'illustration montre le levier sur la position 1 (le moteur tourne).

D Kühlwasseranschluss (3)

Darüber hinaus kühlt und schmiert es die Klinge. Das andere Ende des Schlauchs wird normal an das Aggregat angeschlossen.

HINWEIS!

Die Säge darf niemals ohne Wasser betrieben werden.

Hauptventil (9)

Der Hebel betätigt das Hauptventil, das den Hydraulikmotor der Säge startet und stoppt. Die Hebelstellungen 0 und 1 gehen aus der Kennzeichnung am Ventilblock hervor. Es gibt keine Zwischenstellungen, weshalb die Drehzahl nicht mit dem Hebel verändert werden kann. Die Abb. zeigt den Hebel in Stellung 1 (der Motor dreht sich).

E Conexión de agua refrigerante (3)

Además, también enfría y lubrica la hoja de sierra. El otro extremo de la manguera se conecta normalmente en el grupo energético.

¡ATENCIÓN!

La sierra no debe funcionar nunca sin agua.

Válvula principal (9)

La palanca activa la válvula principal que arranca y para el motor hidráulico de la sierra. Las posiciones de palanca 0 y 1 están indicadas por marcas en el bloque de válvula. La velocidad no se puede cambiar con la palanca porque no hay posiciones intermedias. En la figura se ilustra la palanca en posición 1 (motor girando).

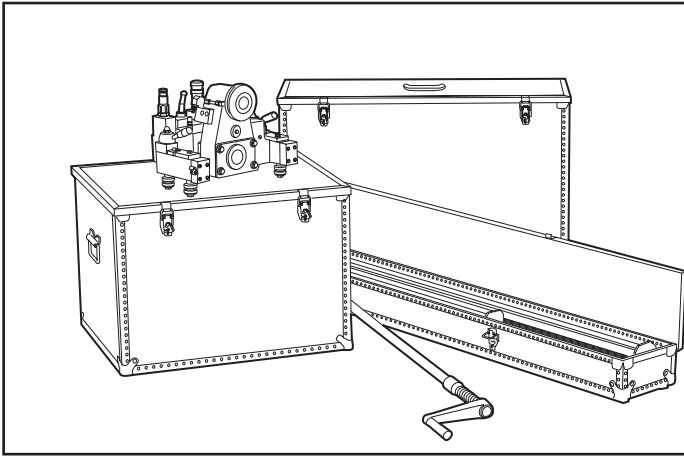


Fig. 11

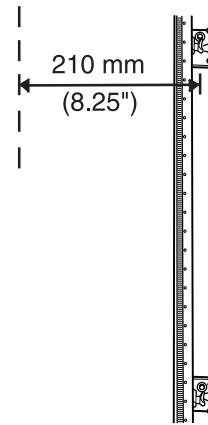


Fig. 12

GB Assembling the equipment

Take the equipment to the work site.

Check that the supply voltage is suited to the power unit.

Fitting the rails

1. Mark the cutting line and mark the positions of the drill holes for the expander bolts at a distance of 210 mm (8.25") from the cutting line.
2. Connect the drill to the 230 V socket on the power unit.
3. Drill $\varnothing 15$ mm holes for the M12 expander bolts. ($\varnothing 12$ mm for M10)
4. Hang the wall mountings loosely from the expander bolts, using M6S 12 x 70 or similar. (M6S 10x70)

F Montage de l'équipement

Installez l'équipement sur le chantier.

Contrôler que la tension du réseau correspond à celle du groupe d'alimentation.

Montage du rail

1. Marquer le trait de scie et les emplacements des trous pour les boulons expansibles, à 210 mm (8.25") du trait de scie.
2. Branchez la perceuse à la prise 230 V du groupe d'entraînement.
3. Percez un trou de $\varnothing 15$ mm pour boulon expansible M12. ($\varnothing 12$ mm pour M10)
4. Suspendre les fixations murales dans les boulons expansibles, de préférence des M6S 12 x 70. (M6S 10x70)

D Ausrüstung montieren

Transportieren Sie die Ausrüstung zum Arbeitsplatz.

Prüfen, dass die Netzspannung mit dem Aggregat übereinstimmt.

Klinge montieren

1. Markieren Sie die Schnittlinie. Zeichnen Sie die Bohrlöcher für die Spreizschrauben 210 mm von der Schnittlinie an.
2. Verbinden Sie die Bohrmaschine mit dem 230-V-Anschluss am Aggregat.
3. Bohren Sie 15-mm-Löcher für M12-Spreizschrauben. ($\varnothing 12$ mm für M10)
4. Hängen Sie die Wandbefestigungen lose an den Spreizschrauben auf, vorzugsweise M6S 12 x 70. (M6S 10x70)

E Montar el equipo

Llevar el equipo al lugar de trabajo.

Comprobar que la tensión de red concuerda con la del equipo energético.

Montar el riel

1. Marcar la línea de sierra y marcar para taladrar los agujeros de pernos de expansión: 210 mm (8.25") desde la línea de sierra.
2. Enchufar el taladro en el enchufe de 230 V del grupo electrógeno.
3. Taladrar agujeros de $\varnothing 15$ mm para los pernos de expansión M12. ($\varnothing 12$ mm para M10)
4. Colgar los soportes de pared sueltos en los pernos de expansión: se recomienda M6S 12 x 70. (M6S 10x70)

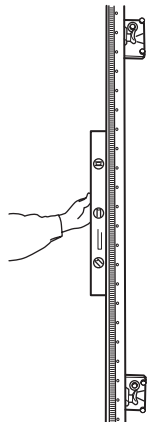


Fig. 13

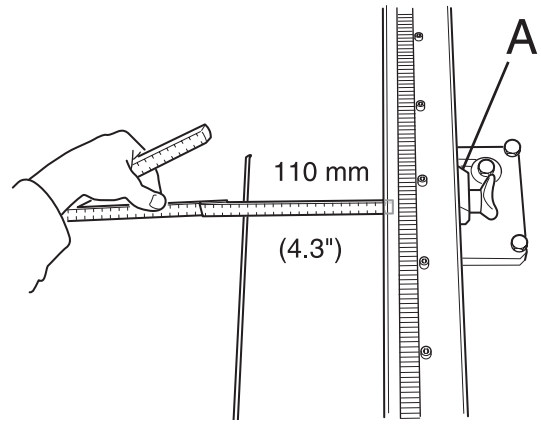


Fig. 14

- GB**
- Place the rail between the wall mountings and tighten the compression washers (A). The rack should be closest to the cutting line.
 - Check that the rail sits correctly in the slots in the wall mountings.

- Adjust the distance between the cutting line and the wall mounting. The distance between the edge of the wall mounting and the inner edge of the cutting line should be 110 mm (4.3"). Tighten the expander bolts.



WARNING!
Check that the wall mountings and rail are well anchored.

- F**
- Placez le rail entre les fixations murales et serrez les plaques de serrage (A). Les barres à crémaillère doivent être orientées vers le trait de scie.
 - Contrôlez que le rail est correctement en place dans les rainures des fixations murales.

- Ajustez l'espace entre le trait de scie et la fixation murale. L'espace entre le bord de la fixation murale et l'intérieur du trait de scie doit être de 110 mm (4.3"). Serrez le boulon expansible.



ATTENTION !
Contrôler que les fixations murales et le rail sont ancrés solidement.

- D**
- Setzen Sie die Schiene zwischen den Wandbefestigungen ein und ziehen Sie die Spannscheiben fest (A). Die Zahnstange muss sich am Sägeschnitt befinden.
 - Prüfen Sie, ob die Schiene korrekt in die Nuten der Wandbefestigungen eingepasst ist.

- Passen Sie den Abstand zwischen Sägeschnitt und Wandbefestigung an. Der Abstand zwischen der Außenkante der Wandbefestigung und der Innenkante des Sägeschnitts muss 110 mm betragen. Ziehen Sie die Spreizschraube fest.



WARNUNG!
Prüfen, dass Wandbefestigungen und Schiene ordnungsgemäß verankert sind.

- E**
- Colocar el riel entre los soportes de pared y apretar las arandelas de sujeción (A). La cremallera debe quedar más cerca del corte.
 - Comprobar que el riel esté bien colocado en los soportes de pared.

- Ajustar la distancia entre el corte y el soporte de pared. La distancia entre el borde del soporte de pared y el borde interior del corte debe ser de 110 mm (4.3"). Apretar los pernos de expansión.



¡ADVERTENCIA!
Comprobar que los soportes de pared y los rieles estén bien anclados.

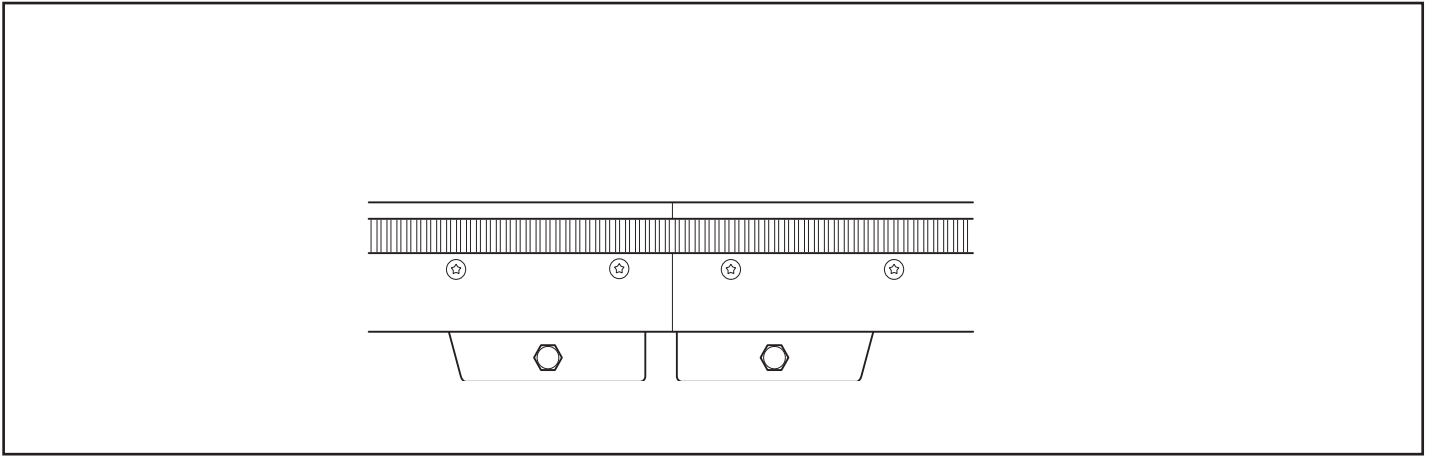


Fig. 15

(GB)

Extending the Rail

For longer cuts, the rail may need extending. To this end, connectors are available as accessories.

1. Remove the stop plates from the ends of the rails.
2. Clean the contact surfaces on the ends of the rails and position them next to each other.
3. Position the connector so that the clamping plates are located furthest from the toothed rail. See illustration.
4. Ensure that both ends are firmly mounted together. There must be no dirt on the contact surfaces.
5. Fit the connector, checking that the rails are in the correct track in the connector.
6. Tighten the clamping plates.

(F)

Prolongement du rail

En cas de coupes longues, il peut s'avérer nécessaire de prolonger le rail. Un dispositif de jonction destiné au rail est disponible.

1. Retirer les plaques d'arrêt situées aux extrémités du rail.
2. Nettoyer les surfaces de contact des extrémités du rail et les placer l'une en face de l'autre.
3. Tourner le dispositif de jonction de telle sorte que les manchons de fixation se placent loin du pignon. Voir la figure.
4. Vérifier que les deux extrémités sont montées ensemble correctement. Les surfaces de contact ne doivent pas comporter de poussière.
5. Monter le dispositif de jonction, contrôler que le rail est bien introduit dans la rainure du dispositif de jonction.
6. Serrer les manchons de fixation.

(D)

Verlängerung der Schiene

Bei langen Sägeschnitten kann es erforderlich sein, die Schiene zu verlängern. Zu diesem Zweck ist ein Verbinder als Zubehör erhältlich.

1. Die Stoppleche an den Schienenenden entfernen.
2. Die Kontaktflächen der Schienenenden reinigen und gegeneinander platzieren.
3. Den Verbinder so drehen, dass die Spannscheiben am weitesten von der Zahnstange entfernt liegen, siehe Abb.
4. Sicherstellen, dass die beiden Enden sorgfältig zusammenmontiert werden. Die Kontaktflächen müssen absolut sauber sein.
5. Verbinder anbringen und sicherstellen, dass die Schiene korrekt in der Nut des Verbinders liegt.
6. Spannscheiben anziehen.

(E)

Alargamiento del riel

Para hacer cortes largos puede ser necesario alargar el riel. Para ello hay disponible un acoplamiento como accesorio.

1. Desmontar las chapas de tope de los extremos del riel.
2. Limpiar las superficies de contacto de los extremos del riel y colocarlas tocándose.
3. Girar el acoplamiento de modo que las arandelas de empuje queden situadas a lo largo de la cremallera (ver la figura).
4. Procurar que ambos extremos queden bien montados entre sí.
No debe haber suciedad alguna en las superficies de contacto.
5. Montar el acoplamiento y comprobar que el riel esté bien colocado en la ranura del mismo.
6. Apretar las arandelas de empuje.

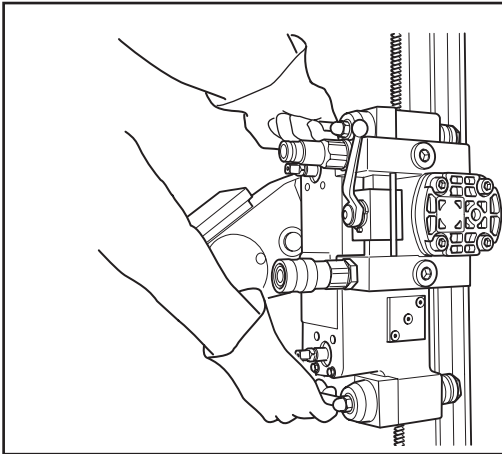


Fig. 16

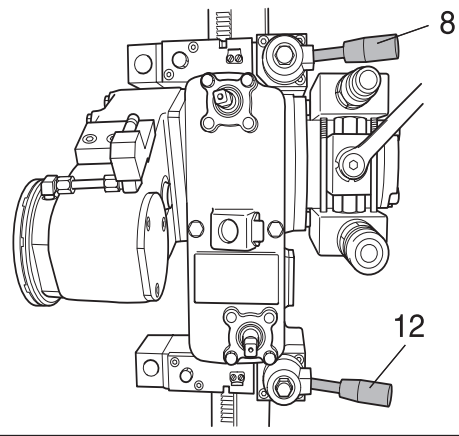


Fig. 17

GB Assembling the saw

1. Hang the saw unit on the rail. Place the trolley's guide wheels against the rail and check that the trolley motion cogwheel has engaged the toothed rail.

2. Lock the handles (8, 12) on the saw unit until a "click" is heard. The clicking noise indicates that the saw has been assembled correctly.

NOTE!

Heavy lift, remember to assume correct working posture.

F Montage de la scie

1. Suspendez l'unité de scie sur le rail. Placer la roue de guidage du chariot contre le rail et contrôler en même temps que la roue d'alimentation agrippe sur le pignon.

2. Verrouillez les poignées (8, 12) de l'unité de scie jusqu'à l'obtention d'un clic, qui confirme que la scie a été montée correctement.

NB :

L'unité de scie est lourde à soulever ; veillez à adopter une position de travail ergonomique.

D Säge montieren

1. Hängen Sie die Sägeeinheit an der Schiene auf. Das Führungsrad des Wagens an die Schiene legen und gleichzeitig prüfen, dass das Vorschubrad in die Zahnstange greift.

2. Befestigen Sie die Verriegelungsgriffen (8, 12) durch Einklicken an der Sägeeinheit. Das Klickgeräusch zeigt an, dass die Säge korrekt montiert wurde.

HINWEIS!

Achten Sie beim Heben von großen Gewichten auf die Arbeitshaltung.

E Montar la sierra

1. Colgar la sierra en el riel. Colocar las ruedas de guía del carro contra el riel, comprobando al mismo tiempo que la rueda de avance agarre en la cremallera.

2. Cerrar las manijas (8, 12) de la sierra hasta que suene un chasquido. El chasquido indica que la sierra está correctamente montada.

¡ATENCIÓN!

Elevación pesada. Tener en cuenta la postura de trabajo.

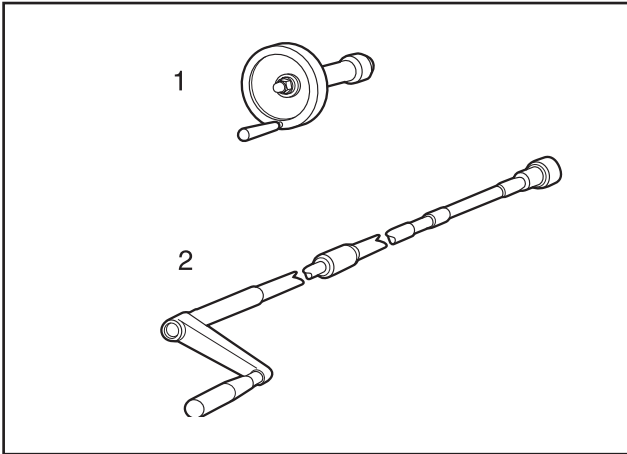


Fig. 18

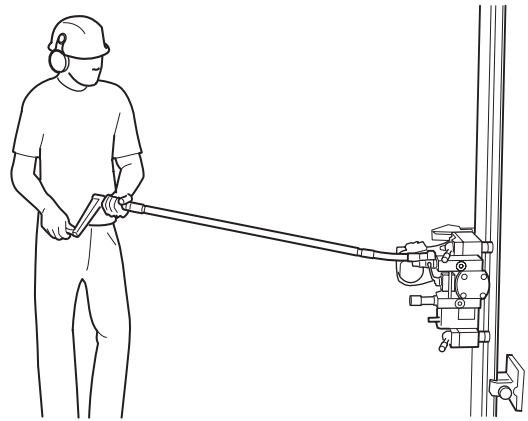


Fig. 19

(GB)

3. Fit the handle (1) or telescopic trolley motion crank (2).
The stop screws, which hold the locking balls found on the tools, shall be in the middle of the plane for their respective plugs in order to be able to be placed in the locked position. Select the tool that provides the best working position.

Assembling the saw blade

4. If the cutting arm is not cranked:
Crank out the cutting arm with the hand crank. The blade rotates anticlockwise when viewed from the screw side.

(F)

3. Monter le volant (1) ou une manivelle télescopique (2).
Les vis d'arrêt qui maintiennent les billes de blocage sur les outils doivent être au centre du plan de chaque goujon afin de pouvoir adopter la position la plus basse. Sélectionner l'outil assurant la meilleure position de travail.

Montage du disque

4. Si le bras oscillant n'est pas déployé:
Déployez le bras oscillant à l'aide de la manivelle. Vu à partir des vis, le disque en rotation tourne dans le sens inverse des aiguilles du montre.

(D)

3. Das Handrad (1) oder die Teleskop-Vorschubkurbel (2) montieren.
Die Stoppschrauben, die die Sperrkugeln an den Werkzeugen halten, müssen sich vor einer ebenen Fläche am jeweiligen Zapfen befinden, damit sie ihre gesperrte Position einnehmen können. Das Werkzeug wählen, das die beste Arbeitshaltung bietet.

Schneidklinge montieren

4. Wenn der Schwenkarm nicht herausgekurbelt ist:
Kurbeln Sie den Schwenkarm mithilfe der Handkurbel hinaus. Die Klinge dreht sich von der Schraubenseite aus gesehen im entgegengesetzten Uhrzeigersinn.

(E)

3. Montar la manija (1) o la manivela de avance telescópico (2).
Los tornillos de tope que fijan las bolas de fijación en las herramientas deben estar frente a un plano del resalte respectivo para que pueden insertarse en la posición fija. Elegir la herramienta que proporcione la mejor postura de trabajo.

Montar la hoja de sierra

4. Si el brazo oscilante no está sacado:
Sacar el brazo oscilante con la manivela. La hoja de sierra gira a izquierdas vista desde el lado del tornillo.

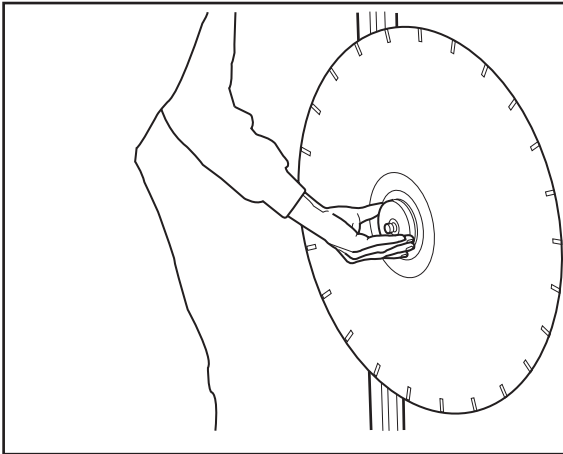
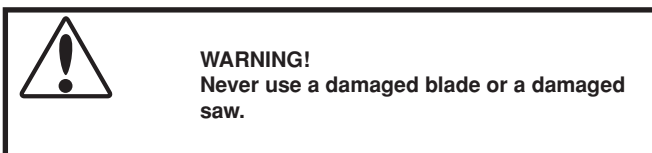
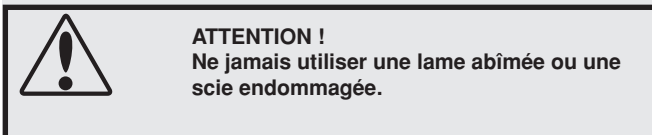


Fig. 20

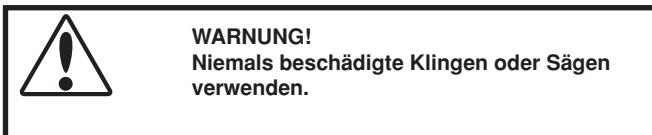
- GB**
5. Remove any dirt from the contact surfaces on the blade flange and blade.
 6. Fit the blade. Check that the guide pin hooks in as intended.
 7. Tighten the outer pressure seal's bolt with an 18 mm wrench.



- F**
5. Nettoyez soigneusement les surfaces de contact du disque et du manchon.
 6. Montez le disque. Contrôlez que les ergots s'enclenchent en position de verrouillage.
 7. Serrer la vis de la rondelle élastique externe à l'aide d'une clé de 18 mm.



- D**
5. Entfernen Sie vorhandenen Schmutz von den Kontaktflächen an Klingensflansch und Klinge.
 6. Montieren Sie die Klinge. Kontrollieren Sie, ob der Führungsstift wie vorgesehen einrastet.
 7. Die Schraube der äußeren Druckscheibe mit dem 18-mm-Schlüssel anziehen.



- E**
5. Limpiar la suciedad de las superficies de contacto de la brida de hoja y de la hoja de sierra.
 6. Montar la hoja de sierra. Comprobar que los pasadores de guía encajen como es debido.
 7. Apretar el tornillo de la arandela de empuje exterior con la llave de 18 mm.

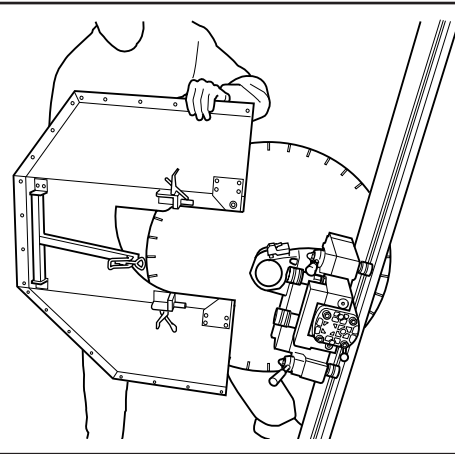
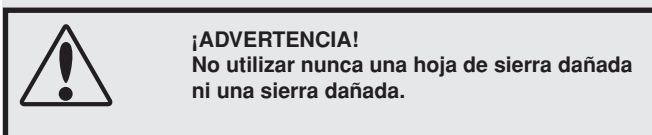


Fig. 21

Fit the blade guard.

Fit the three sections of the blade guard. Check that the lock hooks lock as intended.

Montage du carter pour disque

Montez les trois sections du carter de protection. Contrôlez que les clapets se verrouillent correctement.

Klingenschutz montieren

Montieren Sie die drei Klingenschutzteile. Kontrollieren Sie, ob die Führungsstifte wie vorgesehen einrasten.

Montar la protección de hoja de sierra

Montar las tres secciones de la protección de hoja de sierra. Comprobar que los ganchos de fijación fijen como es debido.

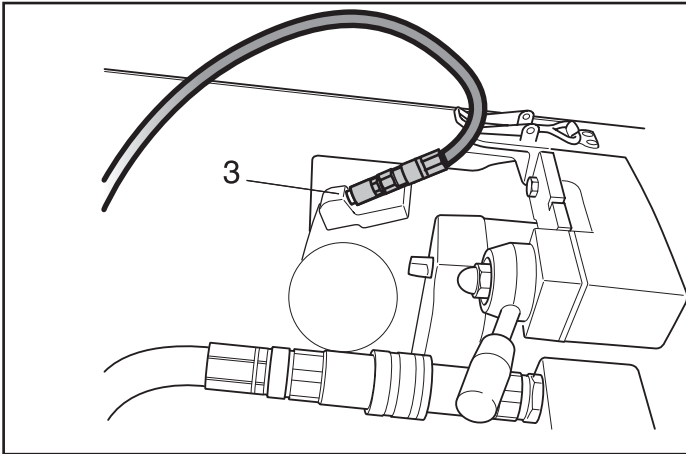


Fig. 22

GB Connect the water hose

Check that the ball valve on the water hose is closed. Connect the hose between the intake (3) on the cutting arm and the hydraulic unit's cooler (or other water supply).

F Raccord du tuyau d'eau

Contrôler que la soupape sphérique du tuyau d'eau est bien fermée. Brancher le tuyau entre la prise (3) sur le bras pivotant et le réfrigérant du groupe hydraulique (ou toute autre alimentation d'eau).

D Wasserschlauch anschließen

Prüfen, dass das Kugelventil am Wasserschlauch geschlossen ist. Den Schlauch zwischen dem Einlass (3) am Schwenkarm und dem Kühler des Hydraulikaggregats (oder einer anderen Wasserzufuhr) anschließen.

E Conectar la manguera de agua

Comprobar que la válvula esférica de la manguera de agua esté cerrada. Acoplar la manguera entre la toma (3) del brazo oscilante y el enfriador del equipo hidráulico (u otro dispositivo de alimentación de agua).

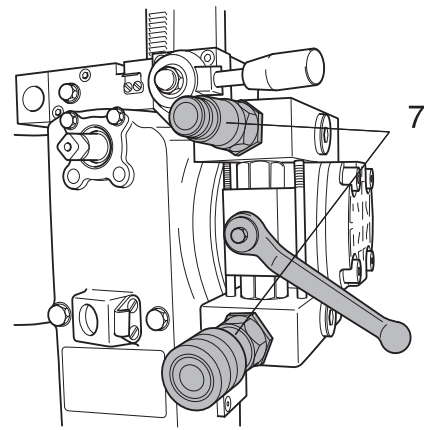


Fig. 23

Connect the hydraulic hoses

Check that the main valve is set to 0.

Clean any dirt from the hydraulic hoses and the saw's (7) quick connectors. Connect the hose assembly and lock the couplings with the lock rings. They are locked by turning the outer sleeve on the female coupling so that the slot comes away from the ball.

NOTE!

Be careful with the hydraulic connectors so that no dirt enters the hydraulic system.

Raccord des flexibles hydrauliques

Contrôler que la vanne principale est sur 0.

Essuyer soigneusement les raccords rapides des flexibles hydrauliques et de la scie (7), afin d'éliminer toute impureté. Raccordez l'ensemble de flexibles et verrouillez les raccords à l'aide des bagues de blocage coulissantes. Pour les verrouiller sur l'unité, faites tourner la balle de manière à libérer celle-ci de la rainure de blocage.

NB :

Attention aux raccords hydrauliques afin que la poussière ne pénètre pas dans le système hydraulique.

Hydraulikschläuche anschließen

Prüfen, dass das Hauptventil auf 0 steht.

Vorhandenen Schmutz von den Schnellkupplungen der Hydraulikschläuche und der Säge (7) abwischen.

Verbinden Sie die Schlaucheinheit und verriegeln Sie die Kupplungen mit Sicherungsringen. Um die Kupplungen zu verriegeln, drehen Sie die Außenhülse der Buchsenkupplung, wodurch sich die Nut von der Kugel entfernt.

HINWEIS!

Beim Anschließen der Hydraulikkupplungen darauf achten, dass kein Schmutz in das Hydrauliksystem gelangt.

Conectar las mangueras hidráulicas

Comprobar que la válvula principal esté en 0.

Limpiar la eventual suciedad de los acoplamientos rápidos de las mangueras hidráulicas y la sierra (7). Conectar el grupo de mangueras y fijar los acoplamientos con los anillos de fijación. Los acoplamientos se fijan girando el manguito exterior del acoplamiento hembra de forma que la ranura se aparte de la bola.

¡ATENCIÓN!

Proceder con cuidado con las conexiones hidráulicas, para que no entre suciedad en el sistema hidráulico.

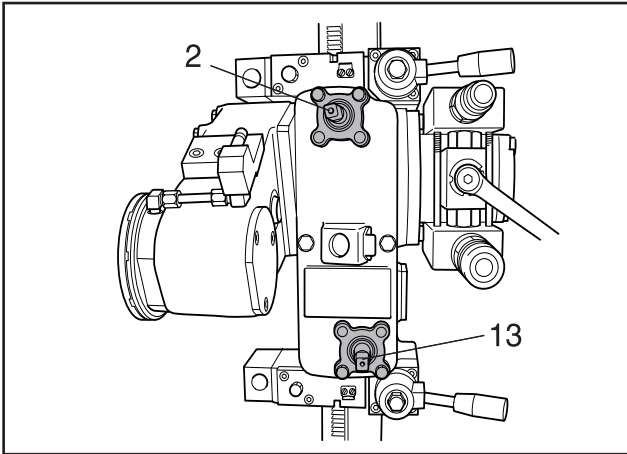


Fig. 24

- (GB) Connect the telescopic trolley motion rod or handle.
 Upper (2) = Blade motion
 Lower (13) = Trolley motion

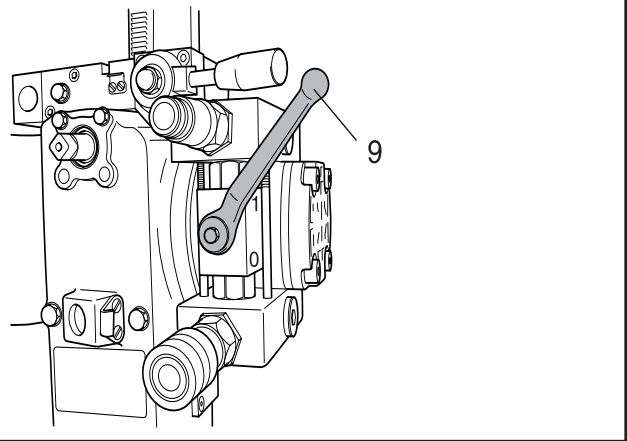


Fig. 25

Start procedure and sawing

1. Start the power unit.
2. Turn the main valve (9) to position 1 to start the blade.



WARNING!
 A higher speed than the recommended speed can result in personal injury and damage to equipment.

- (F) Connecter le levier d'avance télescopique ou le volant.
 Supérieur (2) = Entrée
 Inférieur (13) = Alimentation en longueur

Procédure de démarrage et sciage

1. Mettre en marche le groupe d'alimentation.
2. Tourner la vanne principale (9) sur la position 1 pour démarrer la lame.



ATTENTION !
 Une vitesse supérieure à celle recommandée implique un risque de lésions corporelles et matérielles.

- (D) Die Teleskop-Vorschubkurbel oder das Handrad anschließen.
 Oben (2) = Vorschub
 Unten (13) = Längsvorschub

Vorgehensweise beim Start und Sägen

1. Aggregat starten.
2. Hauptventil (9) in Position 1 drehen, um die Klinge zu starten.



WARNUNG!
 Eine Geschwindigkeit über dem empfohlenen Wert kann zu Personenschäden und einer Beschädigung der Ausrüstung führen.

- (E) Acoplar la barra de avance telescópico o la manija.
 Superior (2) = Avance de entrada
 Inferior (13) = Avance longitudinal

Procedimiento de arranque y corte

1. Poner en marcha el equipo energético.
2. Poner la válvula principal (9) en la posición 1 para poner en marcha la hoja de sierra.



¡ADVERTENCIA!
 Una velocidad mayor que la recomendada conlleva riesgo de daños personales y del equipo.

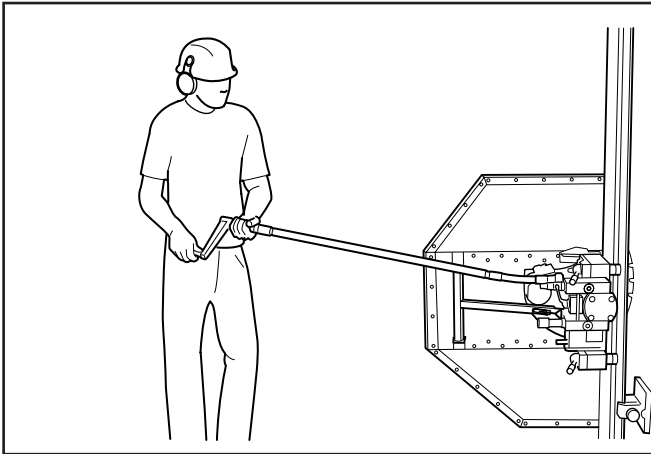


Fig. 26

- GB
3. Open the ball valve on the water hose to obtain a suitable flow.
 4. Advance the blade into the wall to the desired cut depth, normally 5–7 cm (2"–2.75").

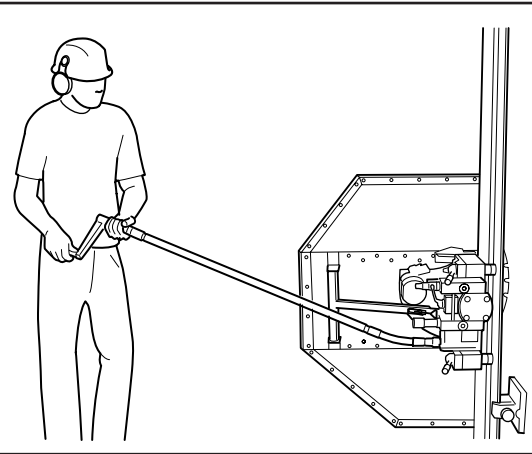


Fig. 27

5. Move the saw trolley along the rail with the telescopic trolley motion rod or handle. Move the saw at a rate at which the hydraulic pressure is between 100 and 140 bar (1400-1975PSI).

- F
3. Ouvrir la soupape sphérique du tuyau d'eau sur un débit approprié.
 4. Introduire la lame dans le mur jusqu'à la profondeur de sciage souhaitée, généralement 5–7 cm (2" – 2.75").

5. Faire avancer le chariot sur le rail à l'aide du levier d'avance télescopique ou du volant. La vitesse d'avance doit être telle que la pression hydraulique oscille entre 100 et 140 bars (1400-1975 PSI).

- D
3. Das Kugelventil am Wasserschlauch bis zu einem geeigneten Durchfluss öffnen.
 4. Die Klinge bis zur gewünschten Sägetiefe in die Wand führen, üblich sind 5–7 cm.

5. Den Sägewagen mit der Teleskop-Vorschubkurbel oder dem Handrad entlang der Schiene führen. Mit einer solchen Geschwindigkeit führen, dass der Hydraulikdruck zwischen 100 und 140 bar (1400-1975 PSI) liegt.

- E
3. Abrir la válvula esférica de la manguera de agua, con un caudal adecuado.
 4. Aplicar la hoja de sierra en la pared, a la profundidad de corte deseada; normalmente 5 – 7 cm (2" – 2.75").

5. Hacer avanzar el carro en el riel; con la barra de avance telescópico o con la manija. Hacer el avance con una velocidad en que la presión hidráulica oscile entre 100 y 140 bar (1.400 – 1.975 PSI).

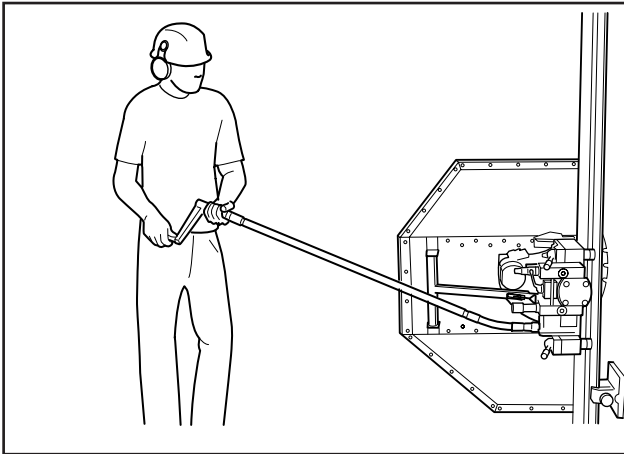


Fig. 28

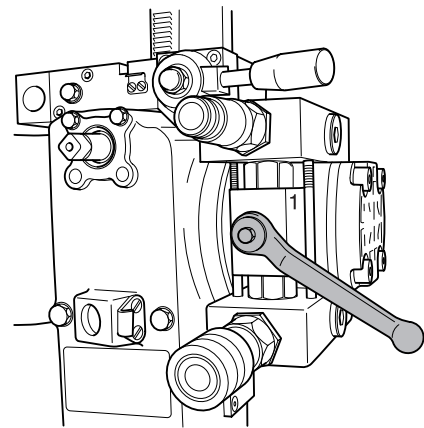


Fig. 29

- (GB)** 6. Once you have made the guide cut, repeat the procedure from step 4 onwards until you have cut through the wall. The depth of the cut will vary from situation to situation. Move the saw at a rate at which the hydraulic pressure is between 100 and 140 bar (1400-1975PSI).
7. Stop the blade after sawing through by returning the main valve to position 0.

- (F)** 6. Après le premier sciage, répétez la procédure à partir du point 4 jusqu'à ce que le mur soit scié dans toute sa profondeur. Les profondeurs de coupe doivent être évaluées au cas par cas. La vitesse d'avance doit être telle que la pression hydraulique oscille entre 100 et 140 bars (1400-1975 PSI).
7. Arrêter la lame ou le sciage en replaçant la vanne principale sur la position 0.

- (D)** 6. Nach Abschluss des Steuerschnitts wiederholen Sie die Vorgehensweise ab Schritt 4, bis die Wand durchsägt wurde. Die Tiefe des Sägeschnitts ist beim jeweiligen Arbeitsgang zu beurteilen. Mit einer solchen Geschwindigkeit führen, dass der Hydraulikdruck zwischen 100 und 140 bar (1400-1975 PSI) liegt.
7. Durch Zurückdrehen des Hauptventils in die Position 0 die Klinge nach dem Sägen anhalten.

- (E)** 6. Una vez hecho el corte de guía, repetir el procedimiento desde el punto 4 hasta atravesar la pared. La profundidad del corte se determina según cada caso. Hacer el avance con una velocidad en que la presión hidráulica oscile entre 100 y 140 bar (1.400 – 1.975 PSI).
7. Al terminar el corte, parar la hoja de sierra poniendo la válvula principal en la posición 0.

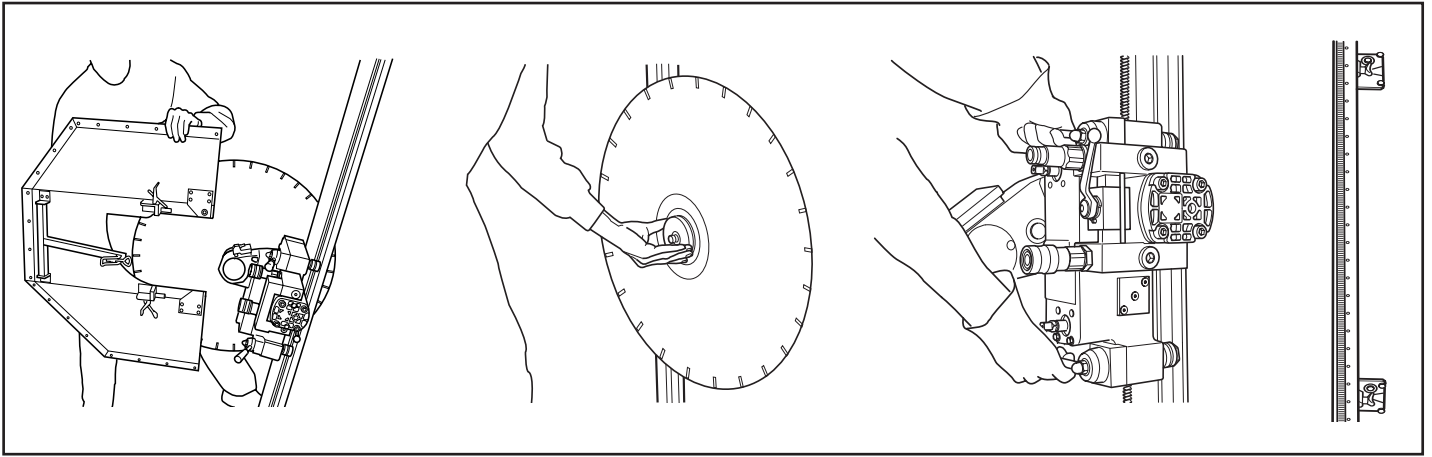


Fig. 30

GB Dismantling the equipment

1. Allow the motor to stop completely.
2. Disconnect the power supply cable before disconnecting the water hoses.
3. Disconnect the hydraulic hoses.
4. If there is a risk of freezing, all water must be drained from the hydraulic unit and saw unit.
5. The other steps are done in the reverse order to assembling.

NOTE!

The electric motor on the unit must stop completely. Always clean all the equipment at the end of the working day.

F Démontage de l'équipement

1. Laissez le moteur s'arrêter complètement.
2. Débranchez le câble d'alimentation électrique avant de décrocher les flexibles hydrauliques.
3. Débranchez les flexibles hydrauliques.
4. En cas de risque de gel, vider toute l'eau contenue dans le groupe hydraulique et l'unité de sciage.
5. Procédez ensuite dans le sens inverse au montage.

NB :

Le moteur électrique du groupe doit s'arrêter complètement. Nettoyez toujours tout l'équipement à la fin d'une journée de travail.

D Ausrüstung demontieren

1. Lassen Sie den Motor ganz zum Stillstand kommen.
2. Lösen Sie die Stromversorgungskabel, bevor Sie die Wasserschläuche abnehmen.
3. Lösen Sie die Hydraulikschläuche.
4. Bei Frostgefahr ist das gesamte Wasser aus dem Hydraulikaggregat und der Sägeeinheit abzulassen.
5. Alle weiteren Schritte werden in umgekehrter Montagereihenfolge vorgenommen.

HINWEIS!

Der Elektromotor am Aggregat muss völlig zum Stillstand kommen. Reinigen Sie die gesamte Ausrüstung am Ende eines Arbeitstags.

E Desmontaje del equipo

1. Esperar a que el motor se pare totalmente.
2. Desconectar el cable eléctrico entrante antes de soltar las mangueras de agua.
3. Desacoplar las mangueras hidráulicas.
4. Si hay riesgo de congelación, drenar toda el agua del equipo hidráulico y de la sierra.
5. Por lo demás, el desmontaje se hace en orden inverso al montaje.

¡ATENCIÓN!

El motor eléctrico del equipo debe pararse totalmente. Limpiar siempre el equipo completo al terminar la jornada laboral.

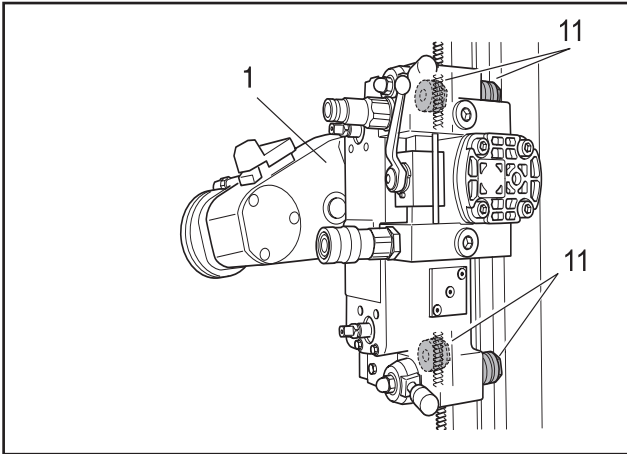


Fig. 31

(GB) Maintenance

The cutting arm (1) contains 0.4 litres (0.42 USqt) of Dimas Oil 150, a transmission oil of the EP 150 grade. The oil should be changed for the first time after one month of operation, and then every six months.

Lubrication

The four guide wheels (11) must be lubricated. Spin the guide wheels and lightly oil them.

(F) Entretien

Le bras oscillant (1) contient 0,4 litres (0.42 USqt) de Dimas Oil 150, une huile pour transmission de type EP 150.

Vidangez l'huile une première fois après un mois d'utilisation, deux fois par an par la suite.

Graissage

Les 4 roues de guidage (11) doivent être graissées. Faire tourner les roues de guidage et les huiler légèrement.

(D) Wartung

Der Schwenkarm (1) enthält 0,4 l Dimas Oil 150, ein Transmissionsöl vom Typ EP 150.

Der erste Ölwechsel ist nach einem Monat Betrieb vorzunehmen, anschließend zweimal jährlich.

Schmierung

Die 4 Führungsräder (11) müssen geschmiert werden. Die Führungsräder drehen und leicht fetten.

(E) Mantenimiento

El brazo oscilante (1) contiene 0,4 litros (0.42 USqt) de aceite Dimas Oil 150, un aceite para engranajes del tipo EP 150.

El aceite se cambia por primera vez después de un mes de funcionamiento y, posteriormente, dos veces al año.

Lubricación

Deben lubricarse las 4 ruedas de guía (11). Girar las ruedas y aceitarlas un poco.

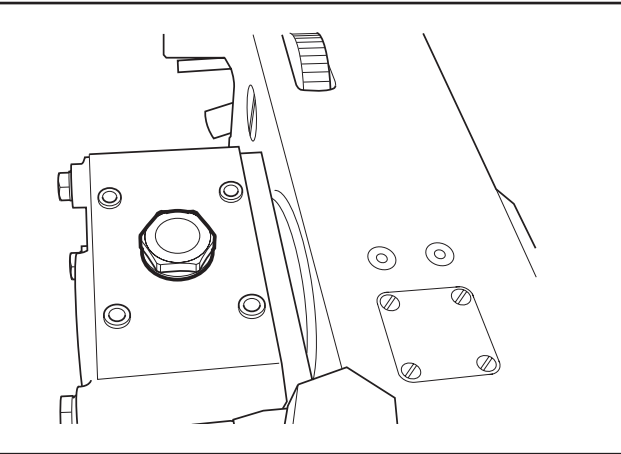


Fig. 32

Filling with oil (saw unit)

Oil is filled in the cutting arm through the oil plug hole on the underside of the cutting arm.

Always clean the magnetic plug when it is removed.



WARNING!
Remember that oil can pose a hazard to health and the environment.

(F) Remplissage d'huile (unité de scie)

Effectuez le remplissage d'huile par l'orifice placé sous le bras oscillant.

Nettoyez toujours le bouchon magnétique lorsqu'il a été détaché.



ATTENTION !
Rappelez-vous que l'huile peut être toxique pour la santé et l'environnement.

(D) Öl auffüllen (Sägeeinheit)

Der Schwenkarm wird über das Loch an seiner Unterseite mit Öl befüllt.

Reinigen Sie den Magnetstopfen stets, wenn er sich gelöst hat.



WARNUNG!
Bedenken Sie, dass Öl Gesundheits- und Umweltschäden verursachen kann.

(E) Llenado de aceite (sierra)

Poner aceite en el brazo oscilante, por el agujero del tapón de aceite situado en la parte inferior del brazo.

Limpiar siempre el tapón magnético cuando se desmonte.



¡ADVERTENCIA!
Tener en cuenta que el aceite puede ser dañino para la salud y el medio ambiente.

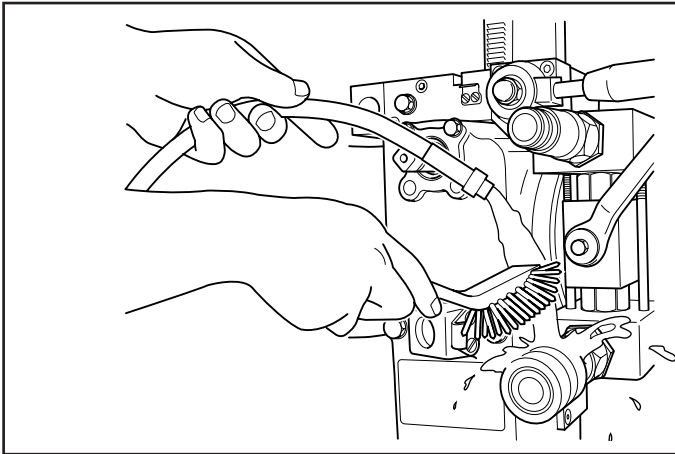


Fig. 33

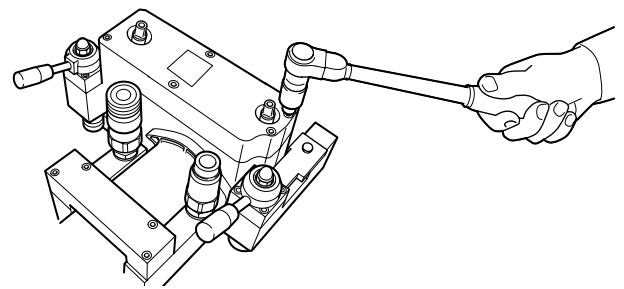


Fig. 34

GB Cleaning

It is important to clean all the equipment. It is a good idea to disconnect the water cooling hose or the blade from the cutting arm and use this to wash down the saw unit, blade guard, wall mountings and rails. Use a brush.

NOTE!
High-pressure washing must not be used!

Tightening torque

If you carry out repairs or maintenance that require removal and refitting of any screws they should be retightened to the following torque:

- M6: 10 Nm (7.4 lbft)
- M8: 25 Nm (18.5 lbft)
- M10: 50 Nm (37 lbft)
- M12: 81 Nm (60 lbft)

Lightly oil the screws or coat them with locking fluid before tightening them.

F Nettoyage

Il est important de nettoyer tout l'équipement. Le tuyau d'arrosage du disque peut aisément se détacher du bras oscillant et être utilisé pour laver l'unité de scie, le carter, les fixations murales et le rail. Utiliser une brosse.

NB :
N'utilisez jamais de dispositif de lavage haute pression !

Couple de serrage

Utilisez les couples de serrage suivants, lors de réparation ou de maintenance impliquant un démontage suivi d'un montage et d'un serrage de vis :

- M6: 10 Nm (7.4 lbft)
- M8: 25 Nm (18.5 lbft)
- M10: 50 Nm (37 lbft)
- M12: 81 Nm (60 lbft)

Lors de serrage au couple, les vis doivent être légèrement huilées ou enduites d'un liquide de blocage.

D Reinigung

Eine Reinigung der gesamten Ausrüstung ist äußerst wichtig. Der Kühlschlauch an der Klinge kann dabei vom Schwenkarm abgenommen und zum Spülen von Sägeeinheit, Klingenschutz, Wandbefestigung und Schiene eingesetzt werden. Eine Bürste verwenden.

HINWEIS!
Verwenden Sie keine Hochdruckwäsche!

Anzugsmomente

Für Reparatur- und Wartungsarbeiten, die ein Demontage und anschließende Montage sowie das Festziehen von Schrauben erfordern, gelten folgende Anzugsmomente:

- M6: 10 Nm (7.4 lbft)
- M8: 25 Nm (18.5 lbft)
- M10: 50 Nm (37 lbft)
- M12: 81 Nm (60 lbft)

Die Schrauben müssen vor dem Anziehen leicht mit Öl oder Schließflüssigkeit versehen sein.

E Limpieza

Es importante limpiar el equipo completo. Se recomienda desacoplar la manguera de agua refrigerante del brazo oscilante y usarla para lavar la sierra, la protección de hoja de sierra, los soportes de pared y el riel. Usar un cepillo.

¡ATENCIÓN!
¡No se debe usar lavado a alta presión!

Pares de apriete

En los trabajos de reparación y mantenimiento que comporten el desmontaje y montaje subsiguiente con apriete de tornillos, deben aplicarse estos pares de apriete:

- M6: 10 Nm (7.4 lbft)
- M8: 25 Nm (18.5 lbft)
- M10: 50 Nm (37 lbft)
- M12: 81 Nm (60 lbft)

En el apriete, los tornillos deben estar ligeramente aceitados o revestidos con líquido sellante.

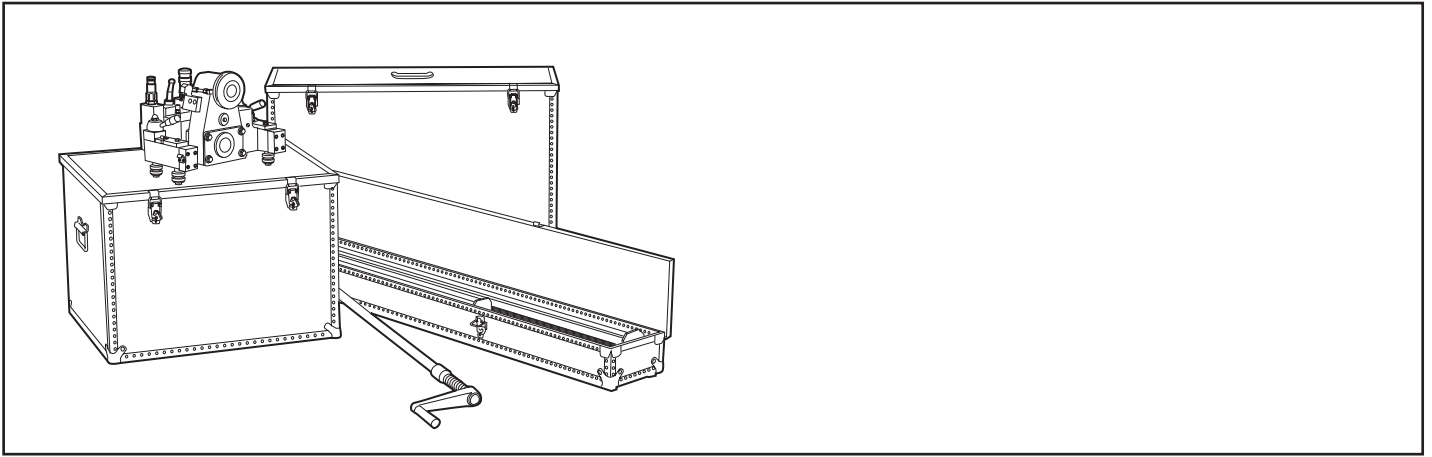


Fig. 35

GB Transport

Freight weights:

Large case

(containing saw unit, hose assembly, etc.) _____ 50 kg (112 lbs)

Long case (containing rails, etc.) _____ 50 kg (112 lbs)

Small case (containing blade guard) _____ 25 kg (56 lbs)

The saw unit, rails, blade guard and even the hose assembly should be stored in the strong plywood cases that the equipment was supplied in.

Apart from providing safe storage, these cases also simplify transport since you only need to handle three items.

F Transport

Poids pour le transport :

Grande caisse (contient unité de scie, etc.) _____ 50 kg (112 lbs)

Caisse longue (contient rails, etc.) _____ 50 kg (112 lbs)

Petite caisse (contient carter enveloppant) _____ 25 kg (56 lbs)

L'unité de scie, le rail, le carter et l'ensemble de flexibles sont contenus dans des caisses en contreplaqué robustes dans lesquelles est livré l'équipement.

Les caisses permettent un conditionnement sûr, mais également une manutention simplifiée du fait que quatre caisses suffisent pour transporter tout ?? le matériel.

D Transport

Transportgewichte:

Großer Behälter

(mit Sägeeinheit, Schlaucheinheit u.a.) _____ 50 kg (112 lbs)

Länglicher Behälter (mit Schiene u.a.) _____ 50 kg (112 lbs)

Kleiner Behälter (mit Klingenschutz) _____ 25 kg (56 lbs)

Verwahren Sie Sägeeinheit, Schiene, Klingenschutz und Schlaucheinheit in den stabilen Sperrholzbehältern, in denen die Komponenten geliefert werden.

Die Behälter bieten einen wirksamen Schutz und erleichtern den Transport, da die gesamte Ausrüstung zu lediglich ?? Einheiten zusammengefasst wird.

E Kuljetus

Pesos de transporte:

Caja grande

(contiene la sierra, el grupo de mangueras, etc.) _____ 50 kg (112 lbs)

Caja larga (contiene el riel, etc.) _____ 50 kg (112 lbs)

Caja pequeña

(contiene la protección de hoja de sierra) _____ 25 kg (56 lbs)

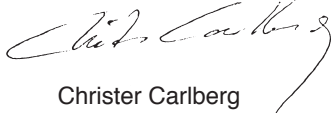
La sierra, el riel, la protección de hoja de sierra y el grupo de mangueras se guardan en las sólidas cajas de madera contrachapada en que se entregaron.

Las cajas, además de proporcionar una conservación segura de los equipos, también facilitan el transporte porque sólo es necesario manipular ?? bultos.

Compliance with EU directives

Husqvarna Construction Products Sweden AB, Box 2098, S-550 02 Jönköping, Sweden, tel: + 46 36 570 60 00, hereby certifies that Wall Saw WS 325, from serial number 01001 and onwards, are manufactured in accordance with Council's machinery directive 98/37/EEC, low-voltage directive 73/23/EEC and directive 89/336/EEC on electromagnetic compatibility, with amendments, and that the follow standards have been used for guidance: EN 55 014-1, EN 55 014-2, EN 61 000-3-2, and EN 50 144-1.

Jönköping 01 02 2001



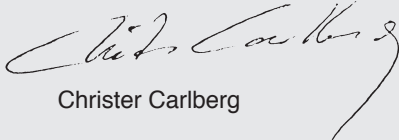
Christer Carlberg

CEO

Conformité aux directives européennes

Husqvarna Construction Products Sweden AB, Box 2098, 550 02 Jönköping, Suède, tél: +46 (0)036-570 60 00, certifie par la présente que la scie murale WS 325, à partir du numéro de série 01001 et au-dessus, est fabriqué conformément aux directives du Conseil, à savoir les directives Machines 98/37/CE, Basse tension 73/23/CEE, et Compatibilité électromagnétique 89/336/CEE, avec leurs modifications, et que les normes suivantes ont été respectées : EN 55 014-1, EN 55 014-2, EN 61 000-3-2, EN 50 144-1.

Jönköping 1. februar 2001



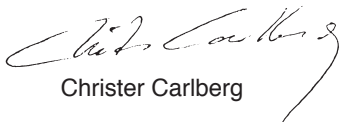
Christer Carlberg

Directeur général

Übereinstimmung mit EU-Richtlinien

Husqvarna Construction Products Sweden AB, Box 2098, SE-550 02 Jönköping, Schweden, Tel.: +46 (0)36-570 60 00, bescheinigt hiermit, dass die Herstellung von Wandsäge WS 345 E ab dem 1. Januar 2001 den Richtlinien des Rates auf Grundlage der Maschinen-Richtlinie 98/37/EG, Niederspannungs-Richtlinie 73/23/EEG und Richtlinie 89/336/EEG über elektromagnetische Verträglichkeit einschließlich aller Änderungen entspricht und folgende Standards als Grundlage gedient haben: EN 55 014-1, EN 55 014-2, EN 61 000-3-2, EN 50 144-1.

Jönköping 2001-02-01



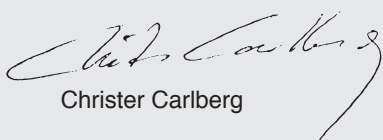
Christer Carlberg

Geschäftsführer

Declaración CE de conformidad

Husqvarna Construction Products Sweden AB, Box 2098, 550 02 Jönköping, Suecia, teléfono: 036-570 60 00, certifica por la presente que la sierra de pared WS 325, a partir de 01001, están fabricados de conformidad con las Directivas del Consejo 98/37/CE relativa a maquinaria, 73/23/CEE relativa a baja tensión y 89/336/CEE relativa a compatibilidad electromagnética, incluso modificaciones, y que se han utilizado las normas siguientes como guía: EN 55 014-1, EN 55 014-2, EN 61 000-3-2, EN 50 144-1.

Jönköping, 1/2/01



Christer Carlberg

Director ejecutivo



www.husqvarnacp.com