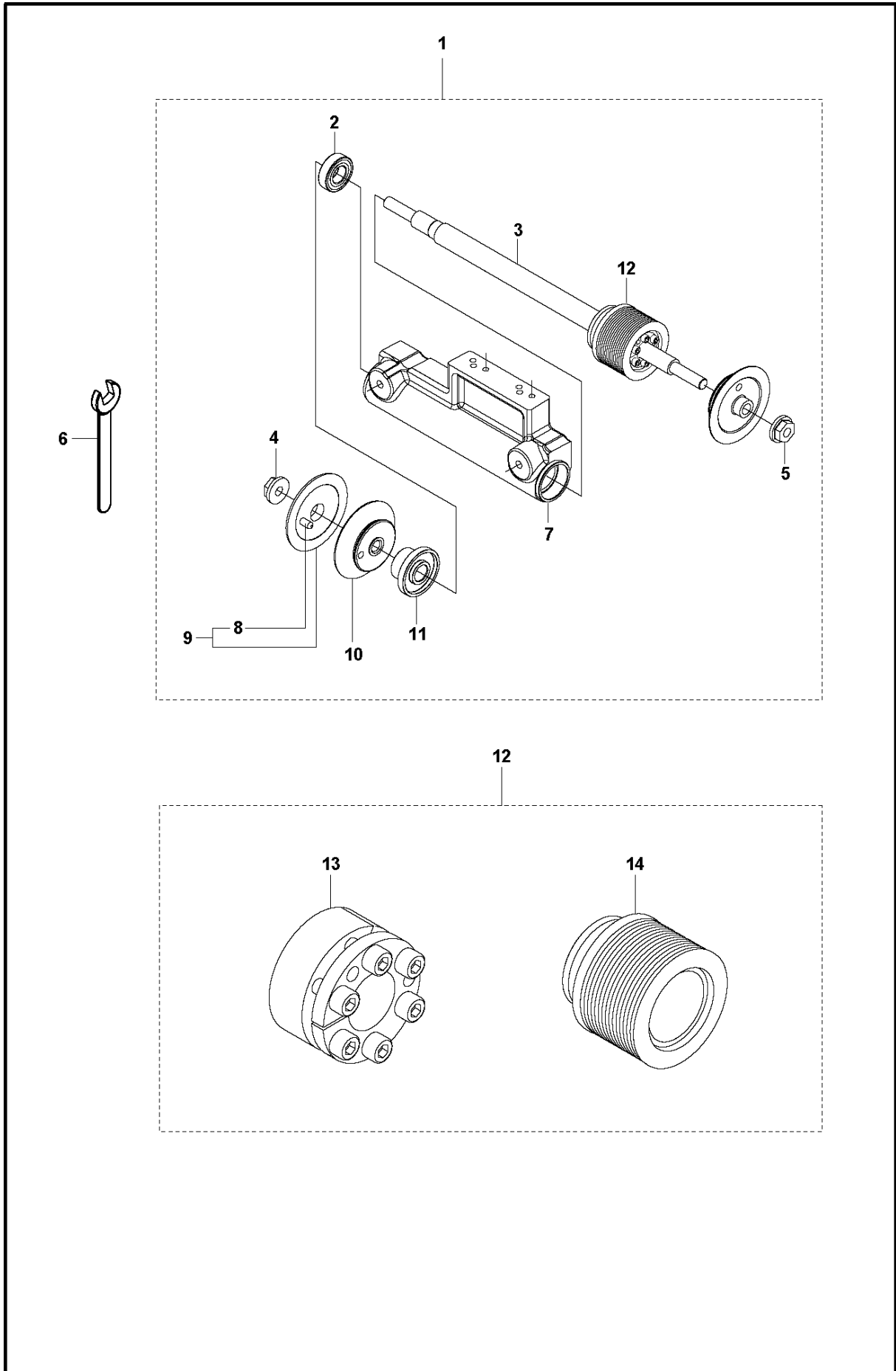




SPARE PARTS LIST

FLOOR SAWS

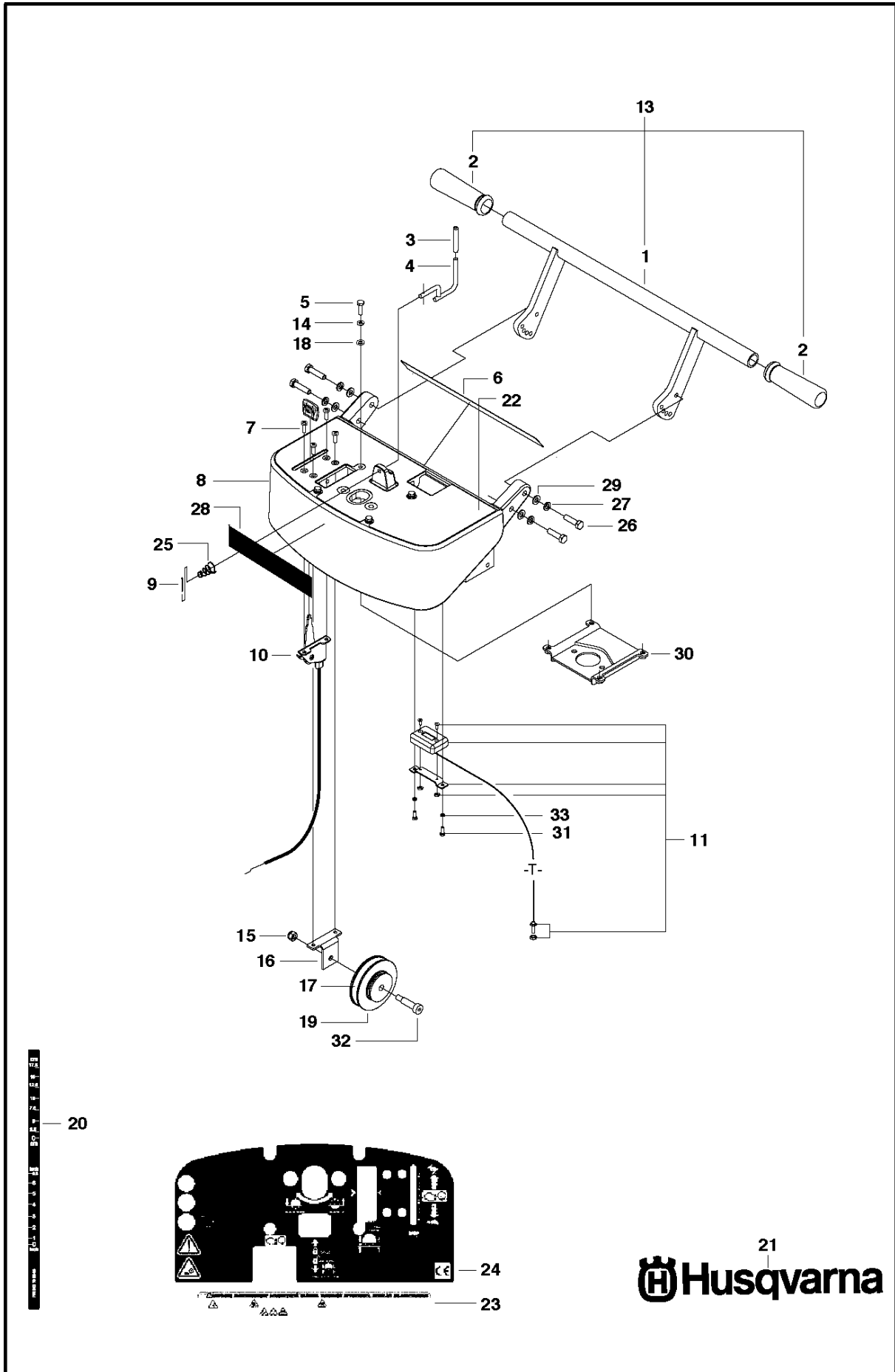
FS410 D, 2007-11



BLADESHAFT

FS410 D, 2007-11

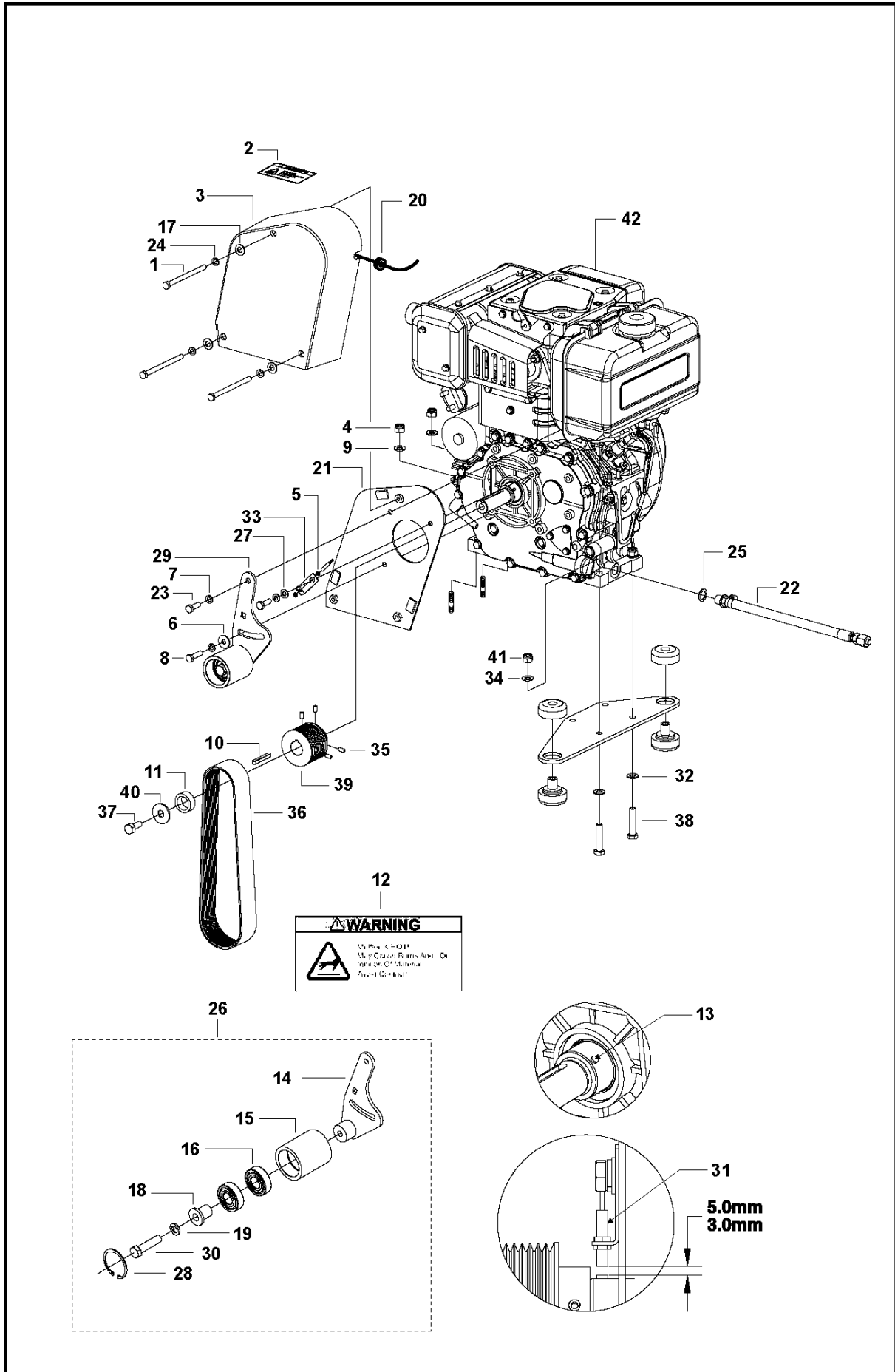
| Ref | Part No | Description | Remark | QTY | KIT |
|-----|--------------|-----------------|--------|-----|-------|
| 1 | 541 20 72-41 | BLADE SHAFT | | 1 | |
| 2 | 541 20 81-60 | BEARING | | 2 | 1 |
| 3 | 541 20 72-40 | HOUSING | | 1 | 1 |
| 4 | 542 16 78-46 | NUT | | 1 | 1 |
| 5 | 542 16 78-47 | NUT | | 1 | 1 |
| 6 | 542 20 22-92 | WRENCH | | 1 | |
| 7 | 541 20 72-40 | HOUSING | | 1 | 1 |
| 8 | 542 16 79-64 | PIN | | 1 | 1 |
| 9 | 542 16 79-62 | COLLAR | | 1 | 1 |
| 10 | 542 16 71-85 | COLLAR | | 2 | 1 |
| 11 | 541 20 71-88 | HUB | | 1 | 1 |
| 12 | 534 99 89-01 | SERVICE KIT | | 1 | 1 |
| 13 | 534 13 90-01 | CLAMPING SLEEVE | | 1 | 1, 12 |
| 14 | 529 83 75-01 | PULLEY | | 1 | 1, 12 |



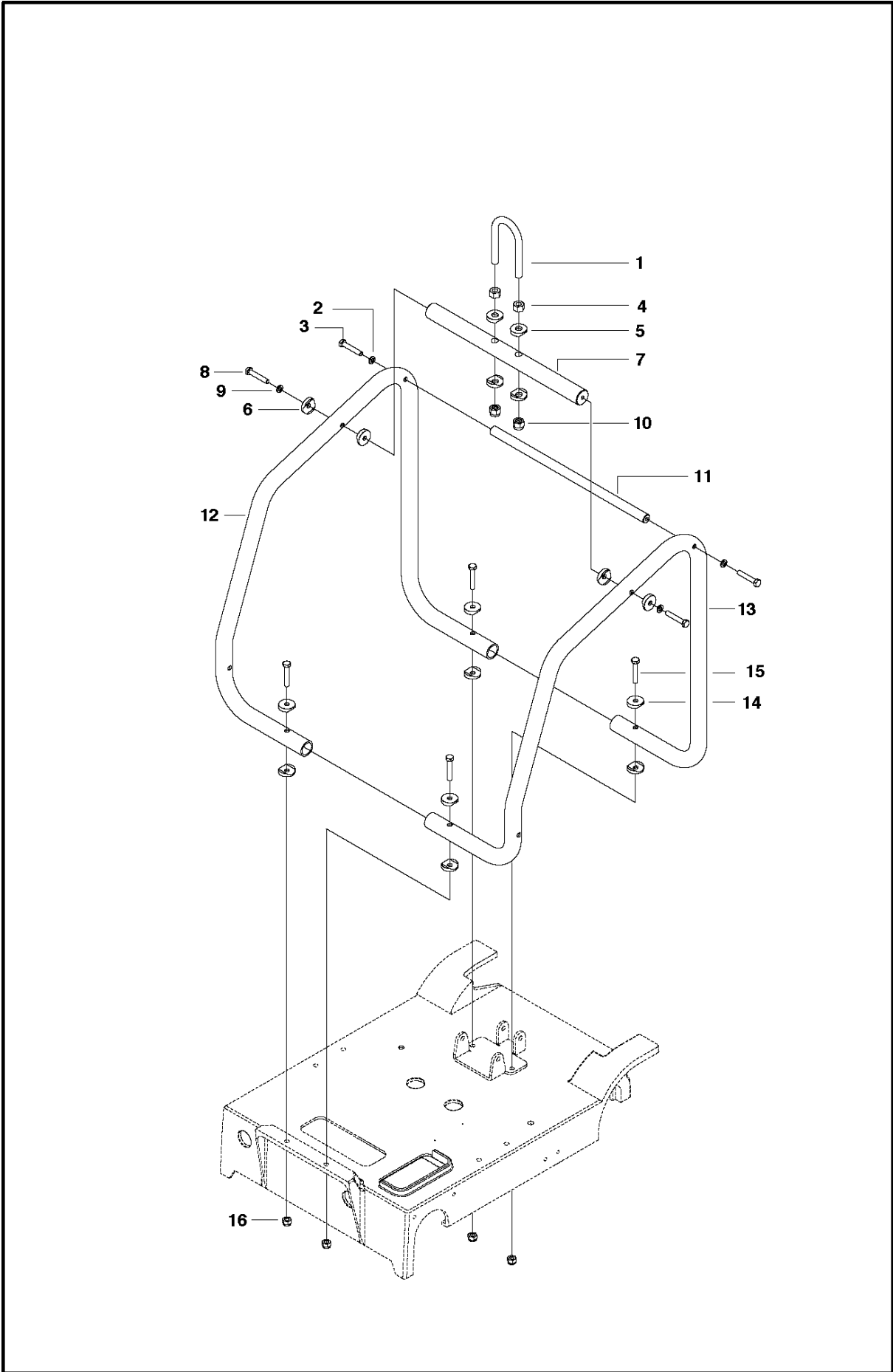
CONTROL CONSOLE

FS410 D, 2007-11

| Ref | Part No | Description | Remark | QTY | KIT |
|-----|--------------|-----------------------|--------|-----|-----|
| 1 | 504 03 12-07 | HANDLE | | 1 | 13 |
| 2 | 542 13 95-68 | GRIP | | 2 | 13 |
| 3 | 542 20 21-69 | CAP | | 1 | |
| 4 | 542 20 23-34 | LOCKING PIN | | 1 | |
| 5 | 725 23 70-71 | SCREW EHHM | | 4 | |
| 6 | 542 19 06-38 | DECAL | | 1 | |
| 7 | 724 13 29-51 | SCREW CRPANM | | 4 | |
| 8 | 586 46 90-01 | CONSOLE | | 1 | |
| 9 | 721 61 43-01 | PIN | | 1 | |
| 10 | 502 44 30-01 | THROTTLE CABLE | | 1 | |
| 11 | 588 12 35-01 | HOUR METER | | 1 | |
| 13 | 504 03 12-09 | HANDLE | | 1 | |
| 14 | 735 11 53-01 | WASHER | | 4 | |
| 15 | 732 25 18-01 | HEXAGON LOCKING NUT | | 1 | |
| 16 | 542 20 21-64 | BRACKET | | 1 | |
| 17 | 542 19 05-88 | DECAL | | 1 | |
| 18 | 734 11 52-01 | WASHER | | 4 | |
| 19 | 542 20 21-63 | WHEEL | | 1 | |
| 20 | 542 19 05-88 | DECAL | | 1 | |
| 21 | 542 19 07-33 | DECAL | | 1 | |
| 22 | 502 24 01-02 | DECAL | | 1 | |
| 23 | 542 19 06-38 | DECAL | | 1 | |
| 24 | 502 24 01-02 | DECAL | | 1 | |
| 25 | 542 20 41-13 | SPRING | | 1 | |
| 26 | 725 24 57-71 | SCREW EHHM | | 4 | |
| 27 | 735 11 64-01 | SPRING WASHER | | 4 | |
| 28 | 542 19 07-33 | DECAL | | 1 | |
| 29 | 734 11 63-01 | WASHER | | 4 | |
| 30 | 502 85 62-05 | BRACKET | | 1 | |
| 31 | 725 22 91-71 | SCREW EHHM | | 2 | |
| 32 | 541 20 82-79 | BOLT | | 1 | |
| 33 | 735 11 36-01 | SPRING WASHER 4.1X7.1 | | 2 | |



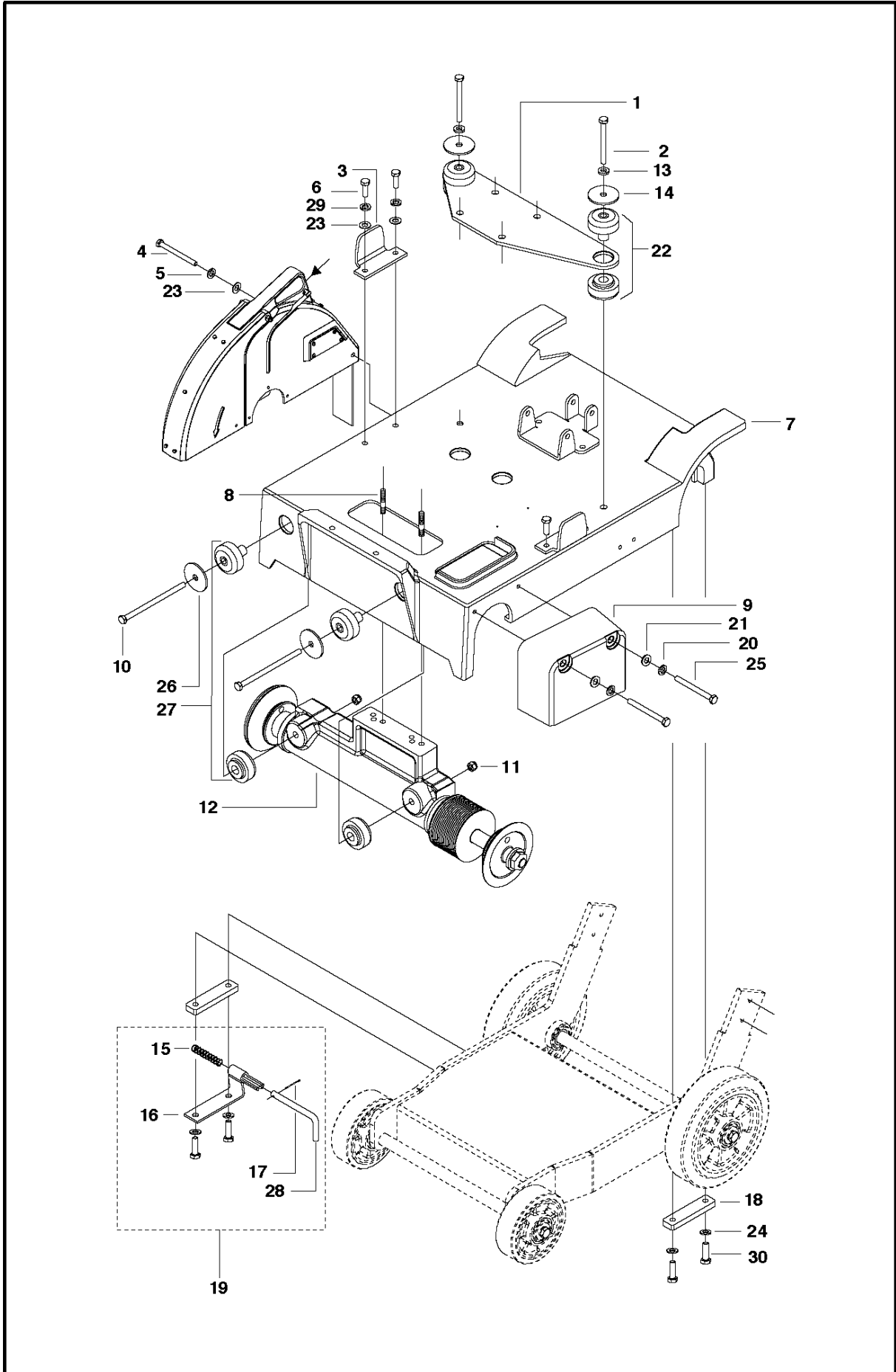
| Ref | Part No | Description | Remark | QTY | KIT |
|-----|--------------|-----------------------|--------|-----|-----|
| 1 | 725 24 73-51 | SCREW EHHM | | 3 | |
| 2 | 542 16 90-65 | DECAL | | 1 | |
| 3 | 502 44 79-02 | BELT GUARD | | 1 | |
| 4 | 732 25 20-01 | HEXAGON LOCKING NUT | | 2 | |
| 5 | 504 57 33-03 | HOUR METER | | 2 | |
| 6 | 734 11 65-41 | WASHER | | 1 | |
| 7 | 735 11 64-01 | SPRING WASHER | | 3 | |
| 8 | 725 24 55-71 | SCREW EHHM | | 1 | |
| 9 | 575 86 63-01 | WASHER | | 2 | |
| 10 | 502 57 49-03 | KEY | | 1 | |
| 11 | 502 47 08-02 | SPACER | | 1 | |
| 12 | 542 16 90-65 | DECAL | | 1 | |
| 13 | 504 57 33-02 | HOUR METER | | 1 | |
| 14 | 541 20 81-90 | BRACKET | | 1 | 26 |
| 15 | 541 20 81-95 | SHEAVE | | 1 | 26 |
| 16 | 542 13 92-73 | BALL BEARING | | 2 | 26 |
| 17 | 734 11 63-01 | WASHER | | 3 | |
| 18 | 541 20 81-94 | SPACER | | 1 | 26 |
| 19 | 735 11 78-01 | WASHER | | 1 | 26 |
| 20 | 504 01 08-02 | GROMMET | | 1 | |
| 21 | 502 46 72-02 | BELT GUARD | | 1 | |
| 22 | 502 49 75-01 | OIL | | 1 | |
| 23 | 725 24 53-71 | SCREW EHHM | | 2 | |
| 24 | 735 11 64-01 | SPRING WASHER | | 3 | |
| 25 | 502 57 49-04 | SEALING WASHER | | 1 | |
| 26 | 541 20 81-96 | IDLER SHEAVE ASSEMBLY | | 1 | |
| 27 | 734 11 63-01 | WASHER | | 1 | |
| 28 | 735 31 40-10 | CIRCLIP | | 1 | 26 |
| 29 | 541 20 81-96 | IDLER SHEAVE ASSEMBLY | | 1 | |
| 30 | 725 25 42-51 | SCREW EHHM | | 1 | 26 |
| 31 | 504 57 33-01 | HOUR METER | | 1 | |
| 32 | 734 11 72-01 | WASHER | | 2 | |
| 33 | 504 57 52-04 | BRACKET | | 1 | |
| 34 | 734 11 72-01 | WASHER | | 2 | |
| 35 | 542 13 97-68 | SCREW | | 4 | |
| 36 | 543 04 49-63 | BELT | | 1 | |
| 37 | 502 57 49-02 | BOLT | | 1 | |
| 38 | 725 25 01-51 | SCREW EHHM | | 2 | |
| 39 | 504 73 65-07 | PULLEY | | 1 | |
| 40 | 734 11 80-41 | WASHER | | 1 | |
| 41 | 732 25 20-01 | HEXAGON LOCKING NUT | | 2 | |
| 42 | 598 76 87-01 | ENGINE | | 1 | |



ENGINE CAGE

FS410 D, 2007-11

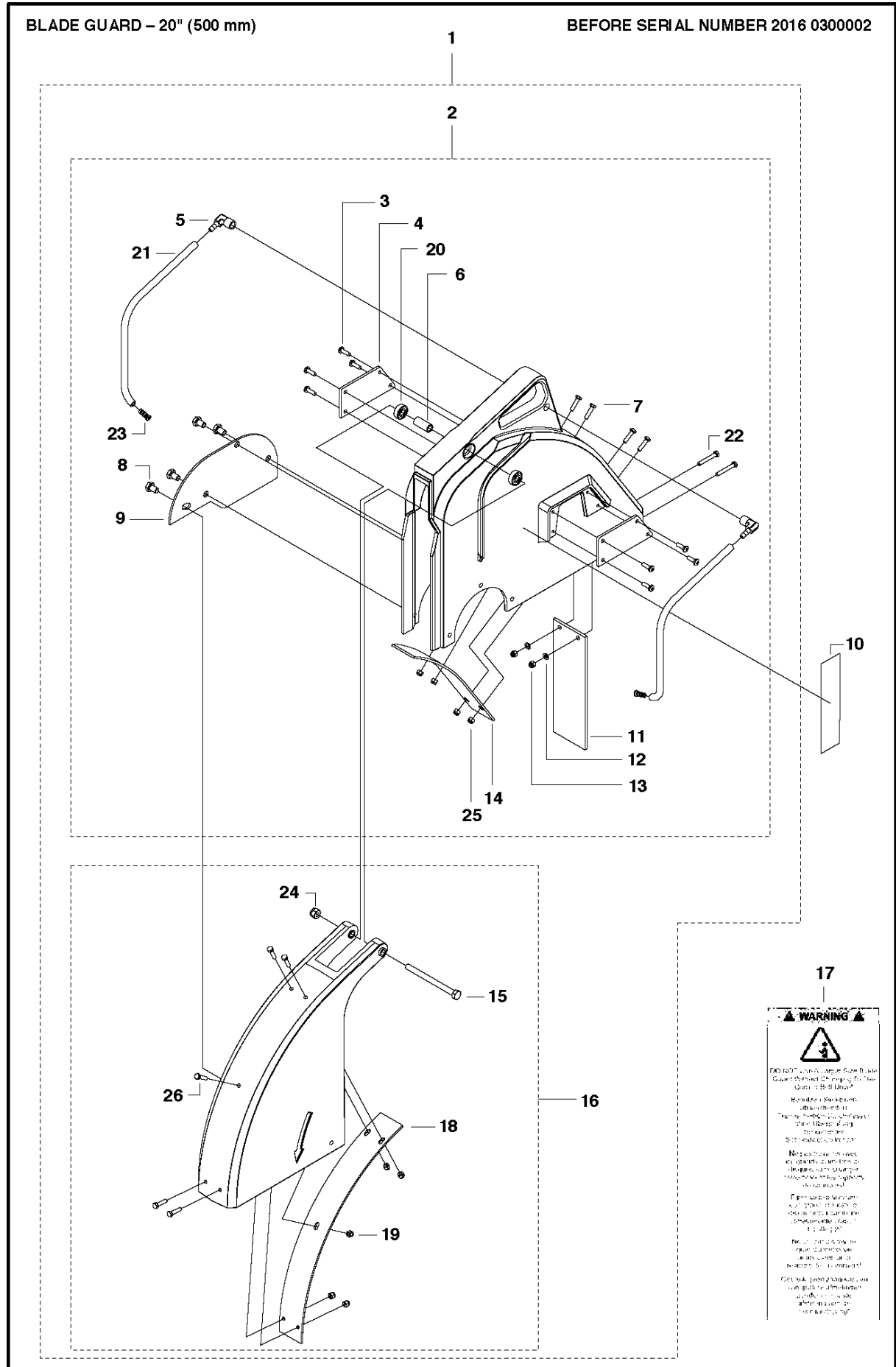
| Ref | Part No | Description | Remark | QTY KIT |
|-----|--------------|---------------------|--------|---------|
| 1 | 542 20 21-87 | BOLT | | 1 |
| 2 | 735 11 64-01 | SPRING WASHER | | 2 |
| 3 | 725 24 61-71 | SCREW EHHM | | 2 |
| 4 | 731 23 22-01 | HEXAGON NUT | | 2 |
| 5 | 542 20 21-88 | WASHER | | 4 |
| 6 | 542 20 21-84 | WASHER | | 4 |
| 7 | 542 20 21-86 | BAR | | 1 |
| 8 | 725 24 61-71 | SCREW EHHM | | 2 |
| 9 | 735 11 64-01 | SPRING WASHER | | 2 |
| 10 | 732 25 22-01 | HEXAGON LOCKING NUT | | 2 |
| 11 | 542 20 21-85 | BAR | | 1 |
| 12 | 542 20 22-52 | ENGINE COVER | | 1 |
| 13 | 542 20 22-55 | ENGINE COVER | | 1 |
| 14 | 542 20 21-84 | WASHER | | 8 |
| 15 | 725 24 63-51 | SCREW EHHM | | 4 |
| 16 | 732 25 18-01 | HEXAGON LOCKING NUT | | 1 |



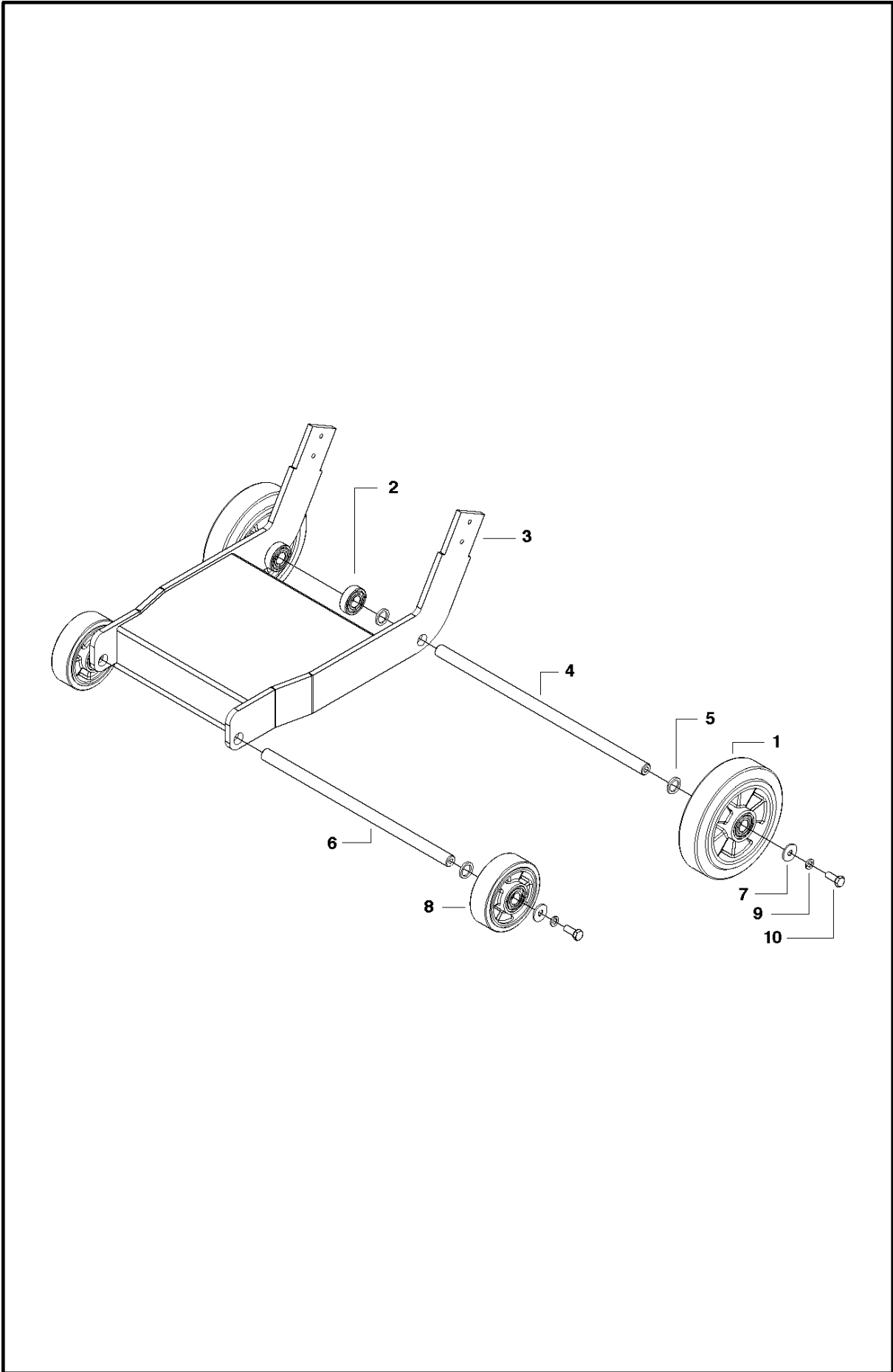
FRAME

FS410 D, 2007-11

| Ref | Part No | Description | Remark | QTY KIT | |
|-----|--------------|-------------------------|--------|---------|----|
| 1 | 501 97 95-02 | PLATE | | 1 | |
| 2 | 725 25 05-51 | SCREW EHHM | | 2 | |
| 3 | 542 20 41-85 | BRACKET | | 2 | |
| 4 | 725 24 71-71 | BOLT | | 1 | |
| 5 | 735 11 64-01 | SPRING WASHER | | 1 | |
| 6 | 725 24 53-71 | SCREW EHHM | | 4 | |
| 7 | 542 20 24-07 | FRAME | | 1 | |
| 8 | 597 52 99-01 | STUD | | 2 | |
| 9 | 542 20 23-74 | GUARD | | 1 | |
| 10 | 542 18 44-55 | HHCS. M10X1.5X130MM Z/P | | 2 | |
| 11 | 732 25 20-01 | HEXAGON LOCKING NUT | | 2 | |
| 12 | 541 20 72-41 | BLADE SHAFT | | 1 | |
| 13 | 735 11 73-01 | SPRING WASHER | | 2 | |
| 14 | 542 20 21-06 | WASHER | | 2 | |
| 15 | 542 20 23-96 | SPRING | | 1 | 19 |
| 16 | 542 20 23-94 | BRAKE | | 1 | 19 |
| 17 | 721 61 43-01 | PIN | | 1 | 19 |
| 18 | 501 97 96-02 | BRACKET | | 2 | |
| 19 | 542 20 23-99 | BRAKE ASSY | | 1 | |
| 20 | 735 11 64-01 | SPRING WASHER | | 4 | |
| 21 | 734 11 63-01 | WASHER | | 4 | |
| 22 | 542 16 11-97 | ISOLATOR | | 2 | |
| 23 | 734 11 63-01 | WASHER | | 2 | |
| 24 | 735 11 64-01 | SPRING WASHER | | 2 | |
| 25 | 725 24 71-71 | BOLT | | 2 | |
| 26 | 542 20 21-06 | WASHER | | 2 | |
| 27 | 542 16 11-97 | ISOLATOR | | 2 | |
| 28 | 542 20 23-97 | PIN | | 1 | 19 |
| 29 | 735 11 64-01 | SPRING WASHER | | 4 | |
| 30 | 725 24 53-71 | SCREW EHHM | | 4 | |



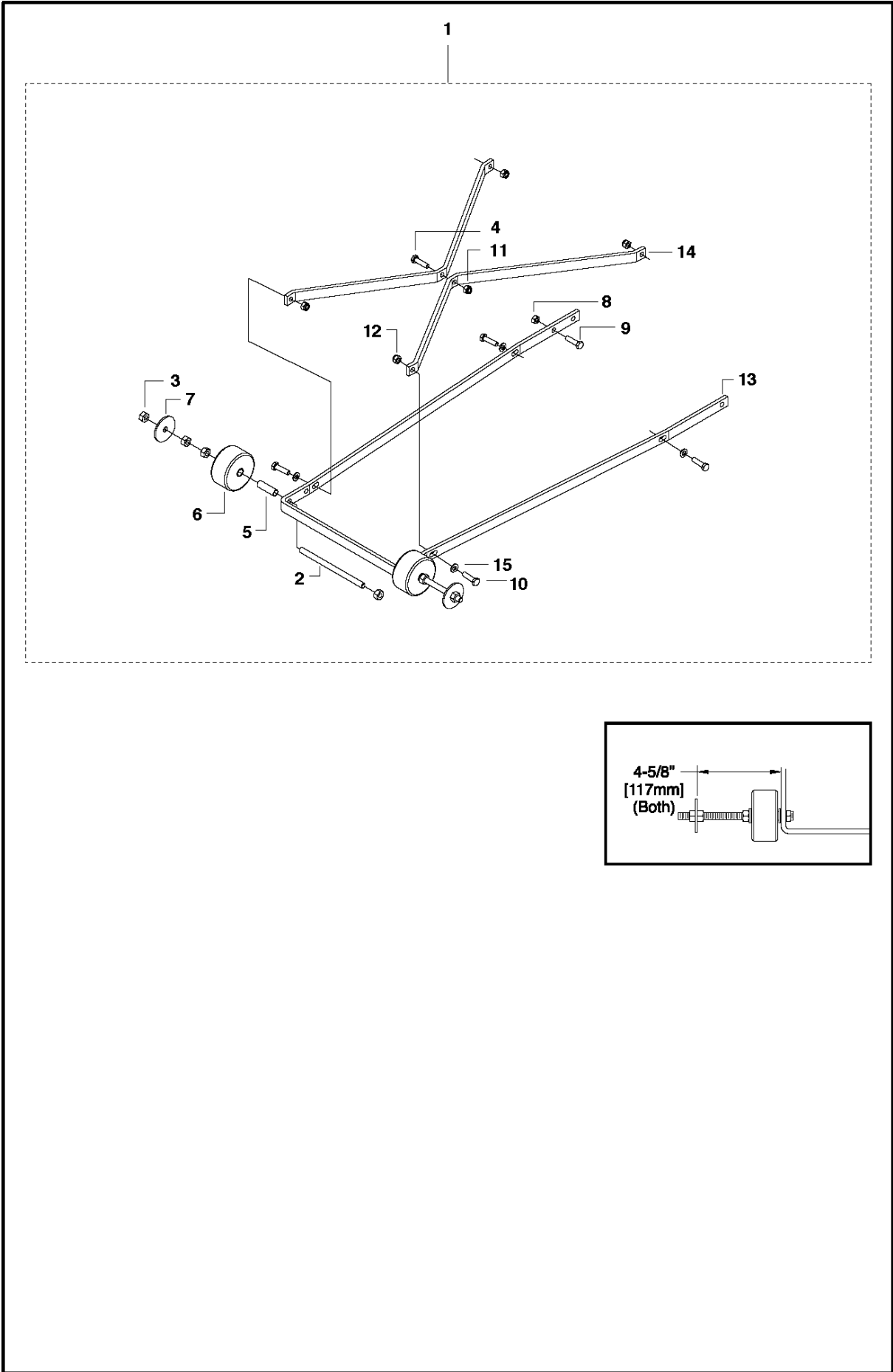
| Ref | Part No | Description | Remark | QTY | KIT |
|-----|--------------|---------------------|--------|-----|-------|
| 1 | 542 20 40-89 | BLADE GUARD | | 1 | |
| 2 | 542 20 41-44 | BLADE GUARD | | 1 | 1 |
| 3 | 724 13 29-51 | SCREW CRPANM | | 8 | 1, 2 |
| 4 | 541 20 82-45 | PLATE | | 2 | 1, 2 |
| 5 | 541 20 82-63 | ELBOW | | 2 | 1, 2 |
| 6 | 541 20 82-49 | TUBE | | 1 | 1, 2 |
| 7 | 725 23 31-71 | SCREW EHHM | | 4 | 1, 2 |
| 8 | 725 24 47-71 | SCREW EHHM | | 4 | 1, 2 |
| 9 | 541 20 82-46 | COVER | | 1 | 1, 2 |
| 10 | 542 16 72-98 | DECAL | | 2 | |
| 11 | 542 20 40-64 | FLAP | | 1 | 1, 16 |
| 12 | 734 11 52-01 | WASHER | | 2 | 1, 16 |
| 13 | 732 25 16-01 | HEXAGON LOCKING NUT | | 2 | 1, 16 |
| 14 | 542 20 40-96 | GUIDE BAR | | 1 | 1, 16 |
| 15 | 725 24 71-51 | SCREW EHHM | | 1 | 1, 16 |
| 16 | 542 20 41-45 | BLADE GUARD | | 1 | 1, 16 |
| 17 | 542 16 72-98 | DECAL | | 1 | |
| 18 | 542 20 40-97 | GUIDE BAR | | 1 | 1, 16 |
| 19 | 732 25 14-01 | HEXAGON LOCKING NUT | | 5 | 1, 16 |
| 20 | 541 20 82-30 | BEARING | | 2 | 1, 2 |
| 21 | 542 20 41-01 | TUBE | | 2 | 1, 2 |
| 22 | 725 23 76-71 | SCREW EHHM | | 2 | 1, 2 |
| 23 | 542 20 40-63 | NOZZLE | | 2 | 1, 2 |
| 24 | 732 25 18-01 | HEXAGON LOCKING NUT | | 1 | 1, 16 |
| 25 | 732 25 14-01 | HEXAGON LOCKING NUT | | 4 | 1, 2 |
| 26 | 725 23 31-71 | SCREW EHHM | | 5 | 1, 16 |



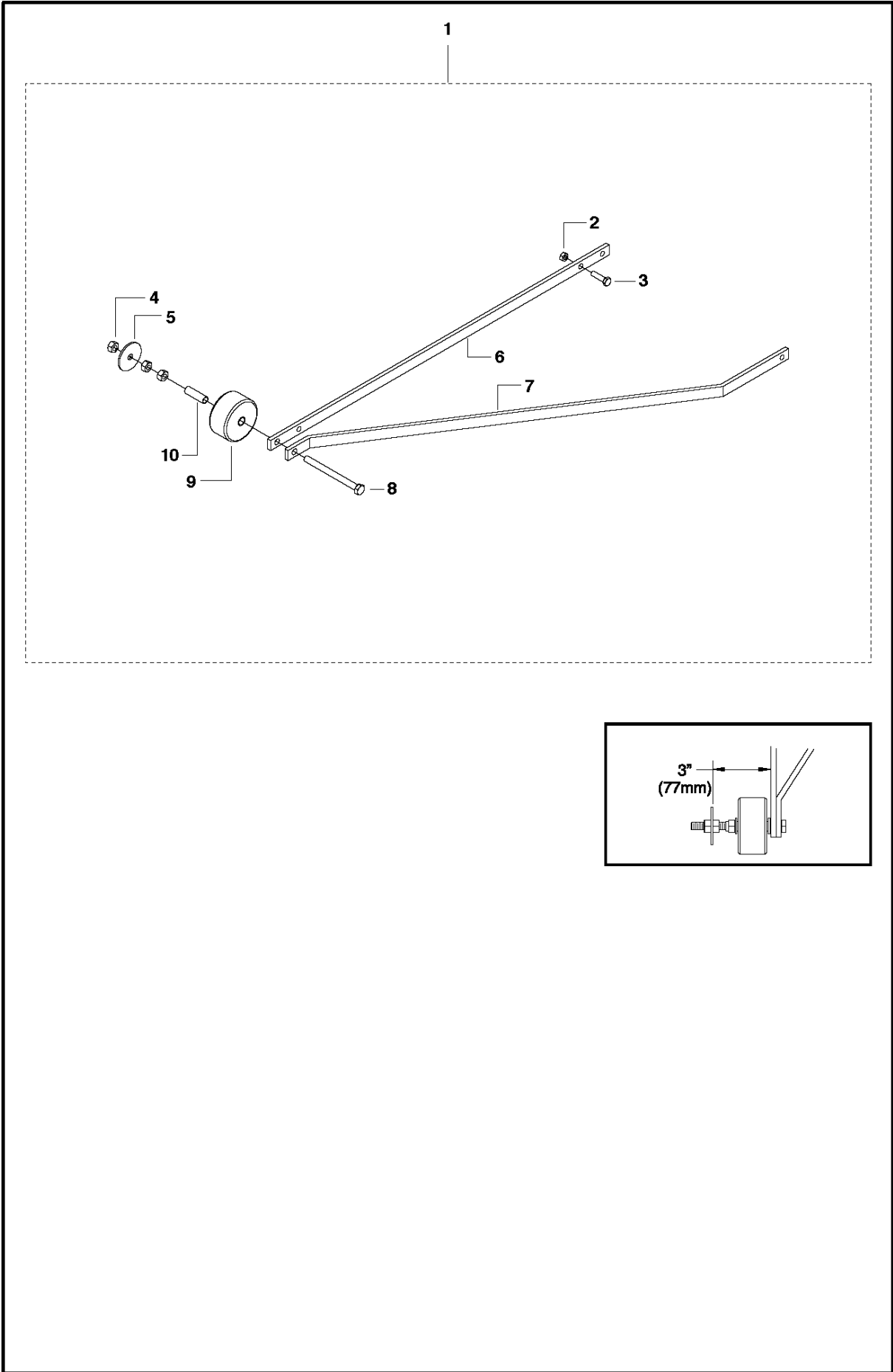
LOWER FRAMING

FS410 D, 2007-11

| Ref | Part No | Description | Remark | QTY | KIT |
|-----|--------------|---------------|--------|-----|-----|
| 1 | 543 04 59-51 | WHEEL | | 1 | 1 |
| 2 | 542 13 92-73 | BALL BEARING | | 2 | 1 |
| 3 | 542 20 24-20 | AXLE | | 1 | 1 |
| 4 | 542 20 24-17 | AXLE | | 1 | 1 |
| 5 | 542 20 20-62 | WASHER | | 6 | 1 |
| 6 | 542 20 24-16 | AXLE | | 1 | 1 |
| 7 | 734 11 74-41 | WASHER | | 4 | 1 |
| 8 | 543 04 59-49 | WHEEL | | 2 | 1 |
| 9 | 735 11 73-01 | SPRING WASHER | | 4 | 1 |
| 10 | 725 24 93-71 | SCREW EHHM | | 4 | 1 |



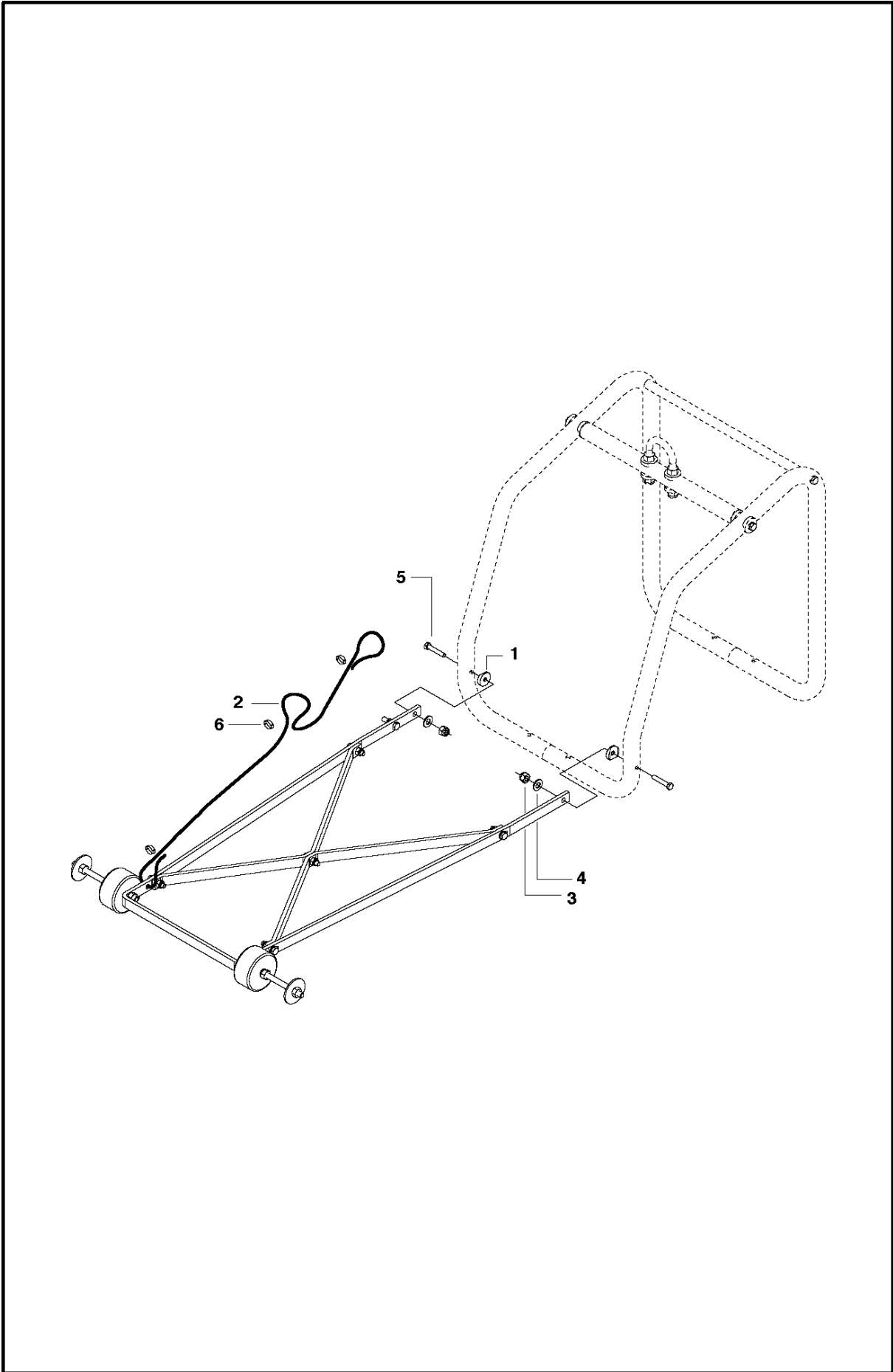
| Ref | Part No | Description | Remark | QTY KIT | |
|-----|--------------|------------------------|--------|---------|---|
| 1 | 542 20 22-70 | POINTER | | 8 | |
| 2 | 542 20 20-77 | ROD | | 2 | 1 |
| 3 | 731 23 20-01 | HEXAGON NUT | | 1 | 1 |
| 4 | 725 24 55-71 | SCREW EHHM | | 4 | 1 |
| 5 | 542 20 20-75 | BUSHING | | 2 | 1 |
| 6 | 543 04 59-32 | WHEEL | | 2 | 1 |
| 7 | 542 20 21-06 | WASHER | | 2 | 1 |
| 8 | 731 23 18-01 | HEXAGON NUT | | 1 | 1 |
| 9 | 725 24 55-71 | SCREW EHHM | | 1 | 1 |
| 10 | 725 24 55-71 | SCREW EHHM | | 1 | 1 |
| 11 | 732 25 18-01 | HEXAGON LOCKING NUT | | 1 | 1 |
| 12 | 732 25 18-01 | HEXAGON LOCKING NUT | | 4 | 1 |
| 13 | 542 20 22-71 | BAR. OUTSIDE. FINISHED | | 1 | 1 |
| 14 | 542 20 22-74 | BAR PLATE | | 2 | 1 |
| 15 | 734 11 63-01 | WASHER | | 4 | 1 |



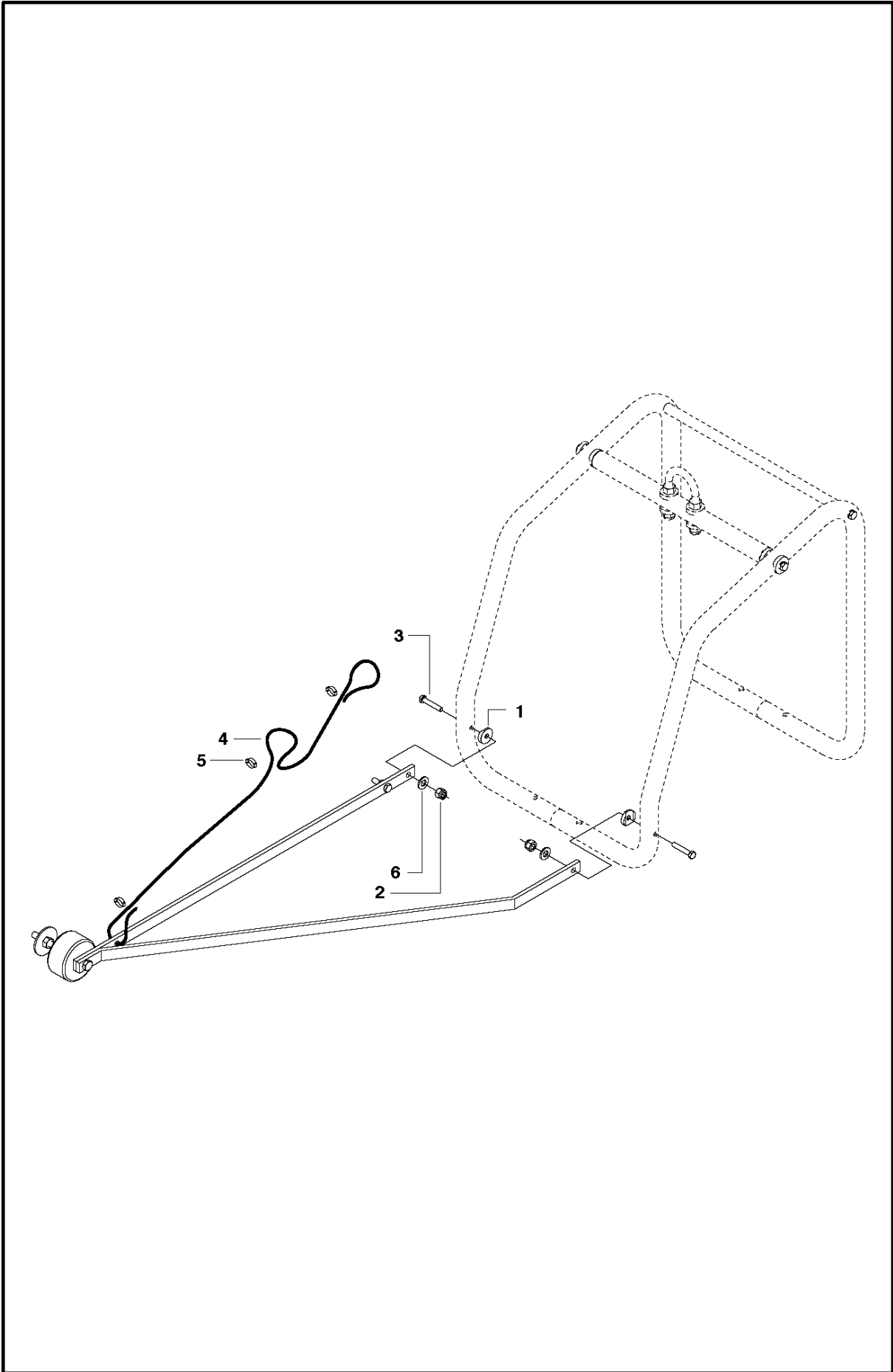
POINTER - SINGLE

FS410 D, 2007-11

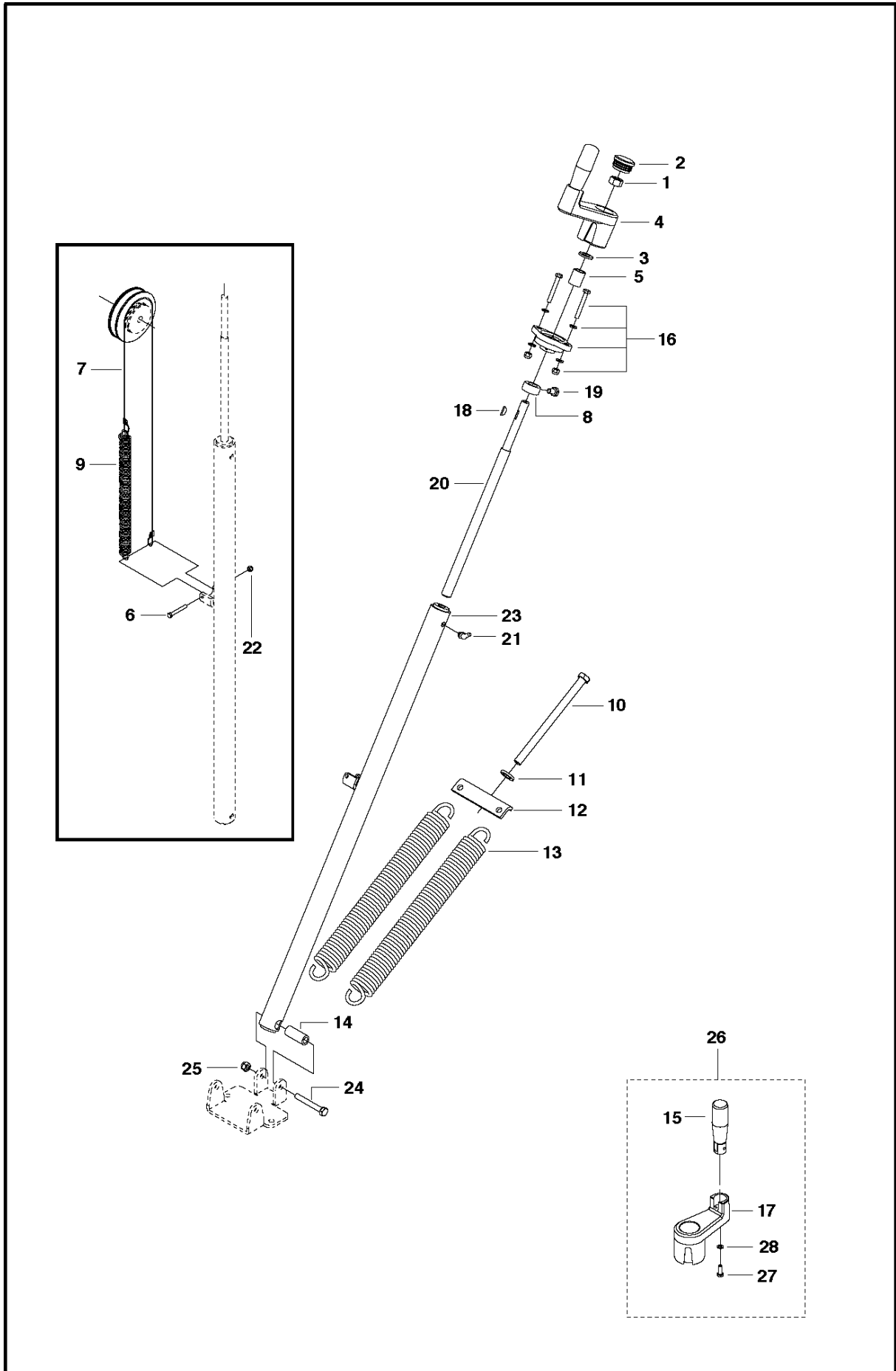
| Ref | Part No | Description | Remark | QTY KIT |
|-----|--------------|-------------|--------|---------|
| 1 | 542 20 20-78 | POINTER | | 1 |
| 2 | 731 23 18-01 | HEXAGON NUT | | 1 |
| 3 | 725 24 55-71 | SCREW EHHM | | 1 |
| 4 | 731 23 20-01 | HEXAGON NUT | | 3 |
| 5 | 542 20 21-06 | WASHER | | 1 |
| 6 | 542 20 21-31 | BAR | | 1 |
| 7 | 542 20 21-30 | BAR | | 1 |
| 8 | 725 25 15-71 | SCREW EHHM | | 1 |
| 9 | 543 04 59-32 | WHEEL | | 1 |
| 10 | 542 20 20-75 | BUSHING | | 1 |



| Ref | Part No | Description | Remark | QTY KIT |
|-----|--------------|---------------------|--------|---------|
| 1 | 542 20 21-84 | WASHER | | 2 |
| 2 | 542 17 21-37 | ROPE. POINTER | | 1 |
| 3 | 732 25 18-01 | HEXAGON LOCKING NUT | | 2 |
| 4 | 734 11 63-01 | WASHER | | 2 |
| 5 | 725 24 63-51 | SCREW EHHM | | 2 |
| 6 | 542 16 27-61 | CLAMP | | 3 |



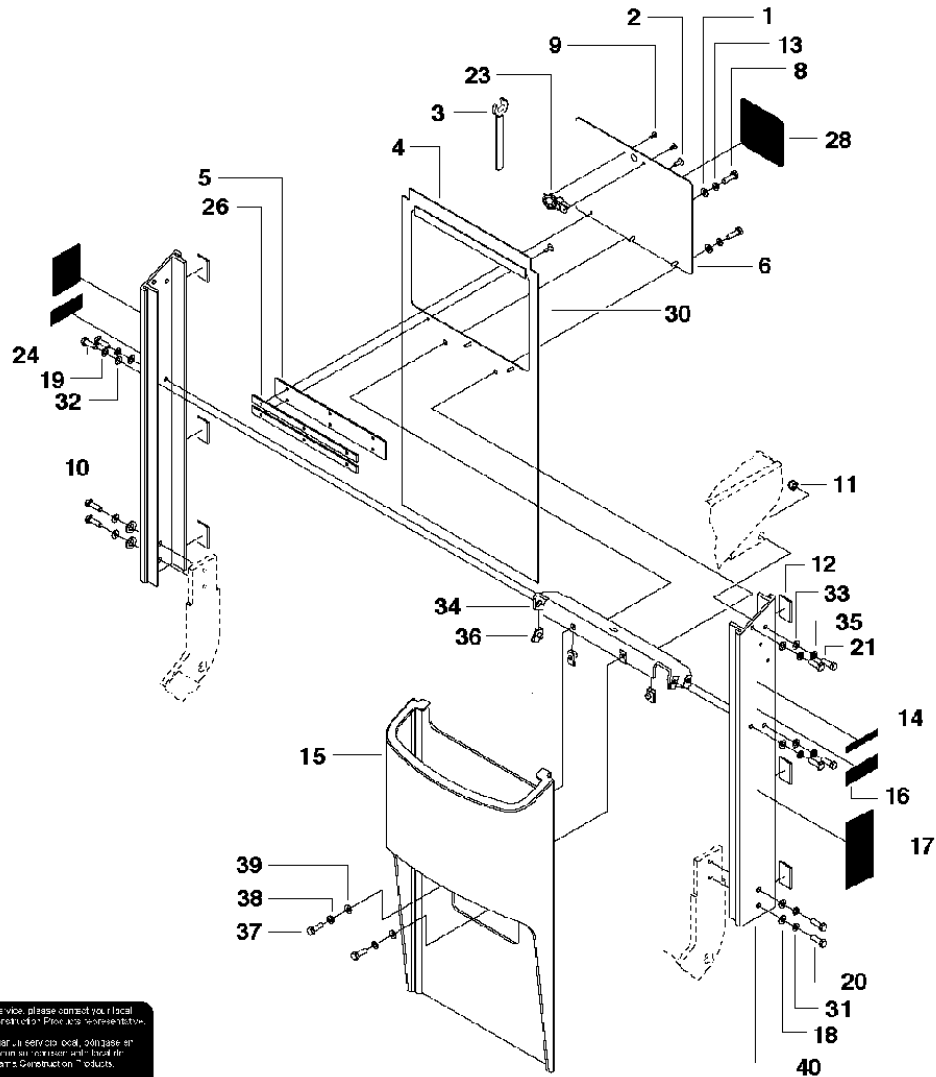
| Ref | Part No | Description | Remark | QTY KIT |
|-----|--------------|---------------------|--------|---------|
| 1 | 542 20 21-84 | WASHER | | 2 |
| 2 | 732 25 18-01 | HEXAGON LOCKING NUT | | 2 |
| 3 | 725 24 63-51 | SCREW EHHM | | 2 |
| 4 | 542 17 21-37 | ROPE. POINTER | | 1 |
| 5 | 542 16 27-61 | CLAMP | | 3 |
| 6 | 734 11 63-01 | WASHER | | 2 |



SCREW FEED

FS410 D, 2007-11

| Ref | Part No | Description | Remark | QTY | KIT |
|-----|--------------|---------------------|--------|-----|-----|
| 1 | 539 99 02-58 | NUT | | 1 | |
| 2 | 543 04 60-31 | PLUG | | 1 | |
| 3 | 734 11 78-01 | WASHER | | 1 | |
| 4 | 541 20 71-61 | HANDLE | | 1 | |
| 5 | 542 20 21-16 | SPACER | | 1 | |
| 6 | 725 23 79-51 | SCREW EHHM | | 2 | |
| 7 | 542 20 21-13 | CABLE ASSY | | 1 | |
| 8 | 542 20 23-38 | COLLAR | | 1 | |
| 9 | 542 20 22-83 | SPRING | | 1 | |
| 10 | 542 20 23-00 | BOLT | | 1 | |
| 11 | 734 11 78-01 | WASHER | | 1 | |
| 12 | 542 20 21-66 | BRACKET | | 1 | |
| 13 | 542 20 21-65 | SPRING | | 2 | |
| 14 | 542 20 23-79 | BUSHING | | 1 | |
| 15 | 541 20 71-76 | CRANK | | 1 | 26 |
| 16 | 585 57 50-01 | BEARING KIT | | 4 | |
| 17 | 504 20 75-01 | HANDLE | | 1 | 26 |
| 18 | 539 30 00-92 | WOODRUFF KEY | | 1 | |
| 19 | 725 24 47-71 | SCREW EHHM | | 1 | |
| 20 | 542 17 79-15 | SCREW | | 1 | |
| 21 | 542 20 22-16 | GREASE | | 1 | |
| 22 | 732 25 16-01 | HEXAGON LOCKING NUT | | 1 | |
| 23 | 542 20 23-67 | NUT | | 1 | |
| 24 | 725 25 03-51 | SCREW EHHM | | 1 | |
| 25 | 732 25 20-01 | HEXAGON LOCKING NUT | | 1 | |
| 26 | 541 20 71-61 | HANDLE | | 1 | |
| 27 | 725 23 70-71 | SCREW EHHM | | 1 | 26 |
| 28 | 734 11 52-01 | WASHER | | 1 | 26 |



For details, please contact your local Husqvarna Construction Products representative.

Para efectuar el servicio local, contactar con el representante más cercano de Husqvarna Construction Products.

Für Details (englisch), kontaktieren Sie Ihren lokalen Vertreter von Husqvarna Construction Products.

Für Service (deutsch), kontaktieren Sie Ihren lokalen Vertreter von Husqvarna Construction Products.

Naam voor details (fransies) contacteer de vertegenwoordiger van de dichtstbijzijnde Husqvarna Construction Products.

Per assistenza, rivolgersi al rappresentante di zona della Husqvarna Construction Products.

For service (polski), kontaktujcie się z lokalnym przedstawicielem Husqvarna Construction Products.

Para obter detalhes técnicos locais, contactar o representante da Husqvarna Construction Products local.

Europe / Europe:
 Husqvarna Construction Products
 30, rue de la République
 181 - 430 01, 44, rue de la République
 Fax: +36 31 34 63 00

As a Pacific:
 Husqvarna Construction Products, A.S. / s. r. l.
 25-31 K. K. Road, Avonmouth, North Dymock, Avonmouth, South A. 25-31 K. K. Road, Avonmouth, North Dymock, Avonmouth, South A. 25-31 K. K. Road, Avonmouth, North Dymock, Avonmouth, South A.

The Americas:
 Husqvarna Construction Products, North America
 11700 West 116th Street
 Omaha, Nebraska 68147, USA
 Toll-Free Telephone: 800-325-5510
 Telephone: 402-426-7975
 Fax: 402-426-7975



25

PATENT PENDING 27

FS410D 29

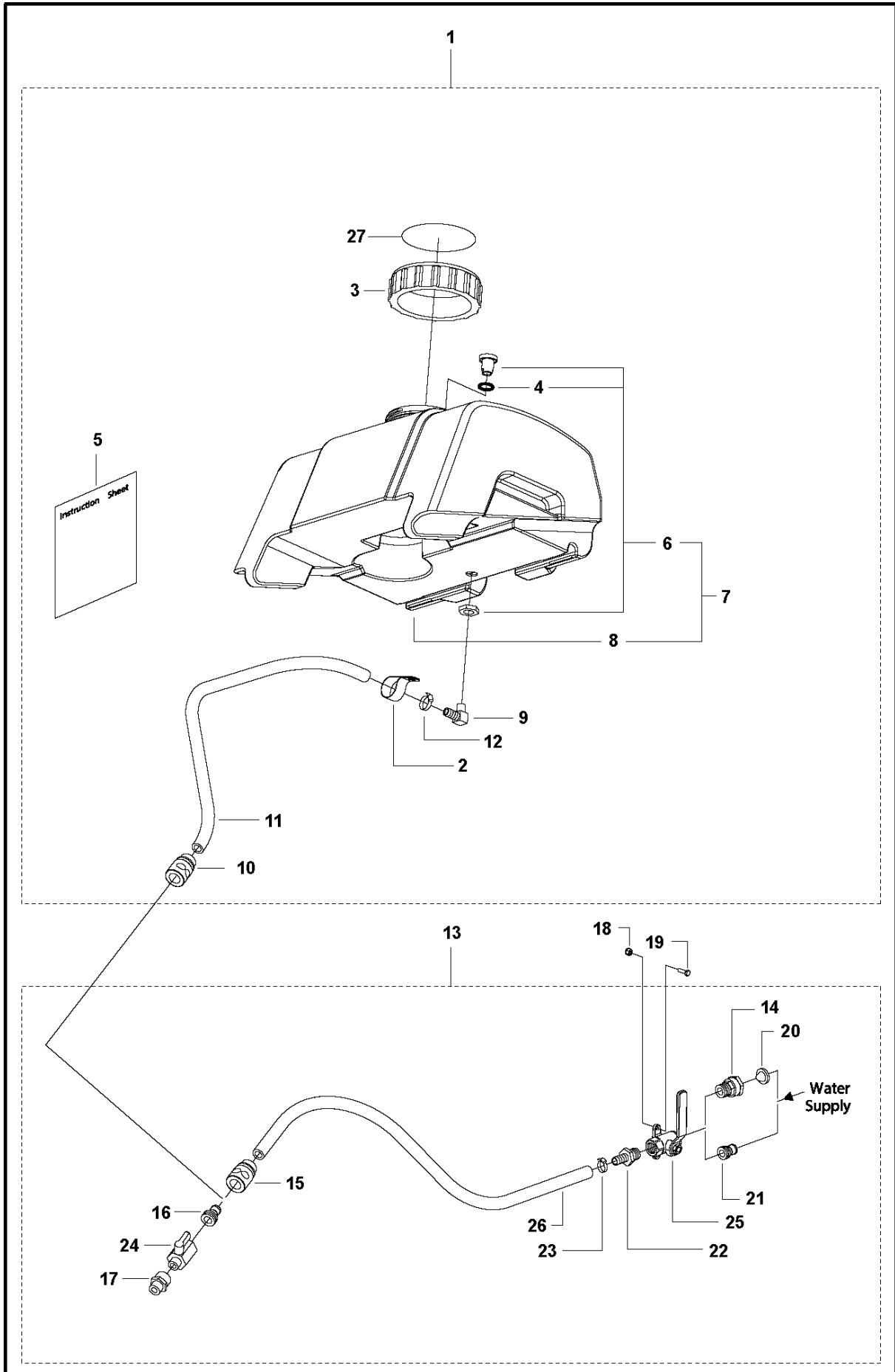
28

Read And Understand Entire Operation Manual Before Operating Machine!
 Understand All Warnings, Instructions & Controls Before Operating Machine
 Operation Manual Located Within Machine As Shown Below.

TOOLBOX

FS410 D, 2007-11

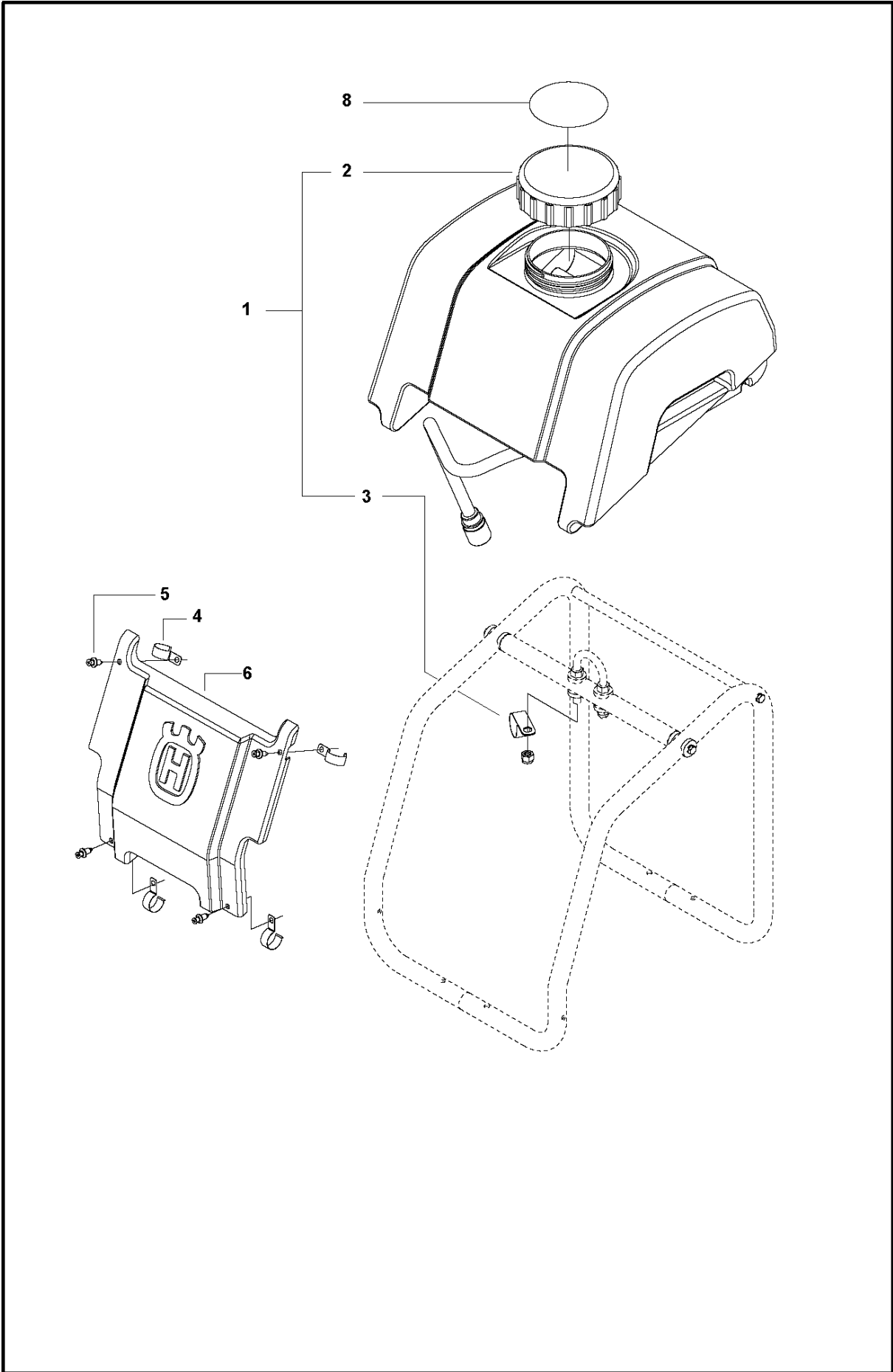
| Ref | Part No | Description | Remark | QTY KIT |
|-----|--------------|---------------------|--------|---------|
| 1 | 734 11 63-01 | WASHER | | 2 |
| 2 | 722 79 44-02 | RIVET | | 3 |
| 3 | 543 04 58-91 | WRENCH | | 1 |
| 4 | 542 20 23-51 | COVER | | 1 |
| 5 | 541 20 82-78 | HINGE | | 1 |
| 6 | 542 20 23-50 | BOX | | 1 |
| 8 | 725 24 55-71 | SCREW EHHM | | 4 |
| 9 | 722 78 18-03 | RIVET | | 2 |
| 10 | 542 20 23-48 | COVER | | 1 |
| 11 | 732 25 18-01 | HEXAGON LOCKING NUT | | 4 |
| 12 | 542 20 23-07 | PAD. RESILIENT | | 6 |
| 13 | 735 11 64-01 | SPRING WASHER | | 2 |
| 14 | 542 16 12-35 | DECAL | | 1 |
| 15 | 542 20 23-47 | COVER | | 1 |
| 16 | 504 56 97-01 | DECAL | | 2 |
| 17 | 542 19 06-46 | DECAL | | 1 |
| 18 | 734 11 63-01 | WASHER | | 2 |
| 19 | 735 11 64-01 | SPRING WASHER | | 2 |
| 20 | 725 24 55-71 | SCREW EHHM | | 2 |
| 21 | 725 24 57-71 | SCREW EHHM | | 4 |
| 22 | 542 19 06-46 | DECAL | | 1 |
| 23 | 541 20 82-81 | LATCH | | 1 |
| 24 | 725 24 55-71 | SCREW EHHM | | 2 |
| 25 | 590 95 36-01 | DECAL | | 1 |
| 26 | 542 20 21-71 | PLATE | | 2 |
| 27 | 542 16 12-35 | DECAL | | 1 |
| 28 | 542 19 05-93 | DECAL | | 1 |
| 29 | 504 56 97-01 | DECAL | | 1 |
| 30 | 722 79 44-02 | RIVET | | 3 |
| 31 | 735 11 64-01 | SPRING WASHER | | 4 |
| 32 | 734 11 63-01 | WASHER | | 4 |
| 33 | 734 11 63-01 | WASHER | | 4 |
| 34 | 542 20 23-52 | BRACKET | | 1 |
| 35 | 735 11 64-01 | SPRING WASHER | | 4 |
| 36 | 542 20 20-99 | NUT | | 8 |
| 37 | 725 24 57-71 | SCREW EHHM | | 4 |
| 38 | 735 11 64-01 | SPRING WASHER | | 4 |
| 39 | 734 11 63-01 | WASHER | | 4 |
| 40 | 542 20 23-49 | COVER | | 1 |



WATER SYSTEM

FS410 D, 2007-11

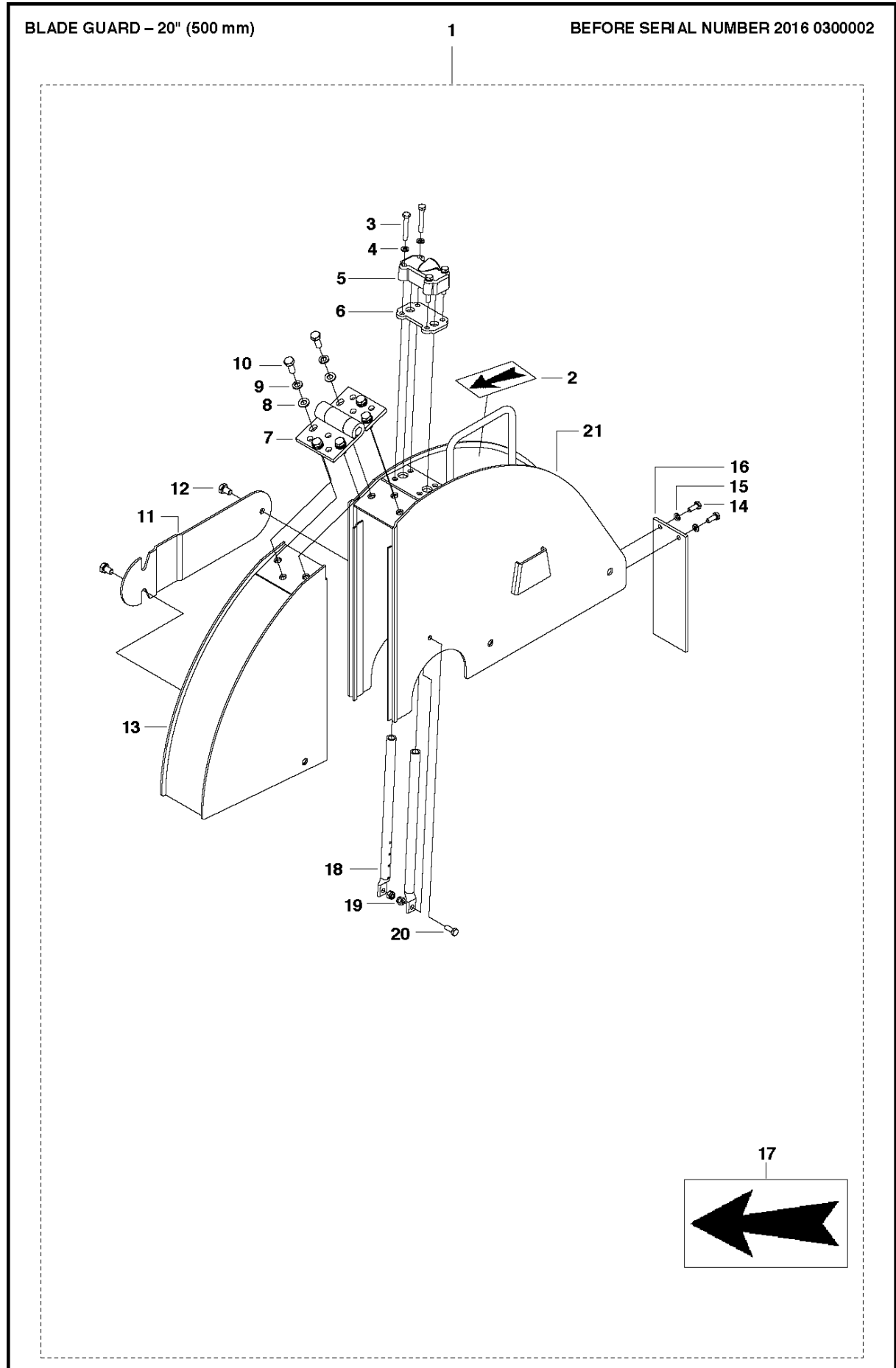
| Ref | Part No | Description | Remark | QTY | KIT |
|-----|--------------|---------------------|--------|-----|---------|
| 1 | 541 20 82-86 | WATER TANK | | 1 | |
| 2 | 542 20 23-11 | BRACKET | | 1 | 1 |
| 3 | 541 20 82-84 | HUB CAP | | 1 | 1 |
| 4 | 588 45 10-01 | O-RING | | 1 | 1, 6, 7 |
| 5 | 542 20 11-23 | TANK | | 1 | 1 |
| 6 | 542 19 61-84 | FITTING | | 1 | 1, 7 |
| 7 | 542 20 23-20 | TANK | | 1 | 1 |
| 8 | 542 20 20-93 | TANK | | 1 | 1, 7 |
| 9 | 543 85 01-31 | FITTING | | 1 | 1 |
| 10 | 543 04 56-12 | QUICK COUPLING | | 1 | 1 |
| 11 | 543 04 55-80 | HOSE | | 1 | 1 |
| 12 | 543 85 03-44 | CLIP | | 1 | 1 |
| 13 | 542 20 23-15 | SIDE LAMINATE | | 1 | |
| 14 | 542 20 23-08 | FITTING | | 1 | 13 |
| 15 | 543 04 56-12 | QUICK COUPLING | | 1 | 13 |
| 16 | 543 04 56-10 | ADAPTER | | 1 | 13 |
| 17 | 542 20 23-40 | FITTING | | 1 | 13 |
| 18 | 732 25 12-01 | HEXAGON LOCKING NUT | | 2 | |
| 19 | 725 22 95-71 | SCREW EHHM | | 2 | |
| 20 | 542 04 56-40 | WASHER | | 1 | 13 |
| 21 | 543 85 03-59 | ADAPTER | | 1 | 13 |
| 22 | 542 20 23-21 | FITTING | | 1 | 13 |
| 23 | 543 85 03-44 | CLIP | | 1 | 13 |
| 24 | 543 04 55-39 | TAP | | 1 | 13 |
| 25 | 542 13 95-37 | VALVE. WATER. 1/2" | | 1 | 13 |
| 26 | 543 04 55-80 | HOSE | | 1 | 13 |
| 27 | 599 71 52-01 | DECAL | | 1 | |



WATER TANK & NOSE PIECE

FS410 D, 2007-11

| Ref | Part No | Description | Remark | QTY | KIT |
|-----|--------------|-------------|--------|-----|-----|
| 1 | 541 20 82-86 | WATER TANK | | 1 | |
| 2 | 541 20 82-84 | HUB CAP | | 1 | 1 |
| 3 | 542 20 23-11 | BRACKET | | 4 | 1 |
| 4 | 542 20 21-28 | CLIP | | 1 | |
| 5 | 542 16 66-24 | BOLT | | 4 | |
| 6 | 542 20 41-49 | COVER | | 1 | |
| 8 | 599 71 52-01 | DECAL | | 1 | |



| Ref | Part No | Description | Remark | QTY KIT |
|-----|--------------|---------------------|--------|---------|
| 1 | 501 12 59-01 | BLADE GUARD | | 1 |
| 2 | 543 85 00-37 | STICKER | | 1 |
| 3 | 725 23 78-71 | SCREW EHHM | | 4 |
| 4 | 735 11 53-01 | WASHER | | 4 |
| 5 | 542 13 90-45 | AXE | | 1 |
| 6 | 542 13 90-51 | JOINT | | 1 |
| 7 | 542 19 05-19 | HINGE | | 1 |
| 8 | 734 11 63-01 | WASHER | | 6 |
| 9 | 735 11 64-01 | SPRING WASHER | | 6 |
| 10 | 725 24 51-71 | SCREW EHHM | | 6 |
| 11 | 542 20 42-04 | COVER | | 1 |
| 12 | 725 24 47-71 | SCREW EHHM | | 2 |
| 13 | 501 12 56-01 | BLADE GUARD | | 1 |
| 14 | 725 23 68-71 | SCREW EHHM | | 2 |
| 15 | 734 11 64-01 | WASHER | | 2 |
| 16 | 542 20 40-64 | FLAP | | 1 |
| 17 | 543 85 00-37 | STICKER | | 1 |
| 18 | 501 12 58-01 | TUBE | | 2 |
| 19 | 732 25 16-01 | HEXAGON LOCKING NUT | | 2 |
| 20 | 725 23 68-71 | SCREW EHHM | | 2 |
| 21 | 501 12 57-01 | BLADE GUARD | | 1 |