

FS 6600

FS 8400

Spare Parts

Piezas de repuesto

Pieces de rechange

Ersatzteile

Reserveonderdelen

Ricambi

Peças sobresselente

Reservdelar



**FS6600-FS8400 Husqvarna**

PART NO.	POS.	DESCRIPTION	PART NO.	POS.	DESCRIPTION
000 49 99-19*	Z	Light, 12V	541 20 84-20	O1	Axle, Front, FS6600 - Husq Gray
015 70 05-06*	D	Hose Clamp, Worm Drive SAE 104	541 20 84-21	J	Cowling, Rear - Husq Gray
015 70 05-37*	R	Hose Clamp, Worm Drive SAE 285	541 20 84-22	Q1	Frame, Lift Bail - Husq Gray
015 70 07-02*	W	Hose Clamp, Worm Drive SAE 44	541 20 84-23	A	Shield, Alternator - Husq Gray
015 70 13-80*	W	Hose Clamp, Worm Drive SAE 56	541 20 84-24	D	Bracket, Shield Mount - H. Orange
504 06 12-01	C	Pointer, Rear - Husq Gray	541 20 84-25	Q1	Mount, Engine - Husq Gray
504 12 29-01	D	Decal: Operating FS6600, STD	541 20 84-26	B	Angle, Belt Guard Mount - Husq Gray
504 12 29-02	D	Decal: Operating FS6600, CE	541 20 84-27	J	Hanger, Hose - Husq Gray
539 10 13-31	F,G	Nut, Lock 1/2-13, Nyloc	541 20 84-28	A	Guard, Engine, LH - H. Orange
539 10 25-35	N1	Cap, Grease	541 20 84-29	A	Guard, Engine, RH - H. Orange
539 30 00-69	K	Filter, Fuel, Inline 5/16"	541 20 84-30	A	Bracket - Husq Gray
539 30 01-11	E	Plug, Hole 1/2"	541 20 84-31	B	Spacer, Spade - Husq Gray
539 30 01-13	Y	Switch Boot, Grey	541 20 84-32	B	Belt Guard, RH, Superior - Husq Gray
539 30 01-23	O1	Collar, Set 1" OD	541 20 84-33	B	Belt Guard, LH, Superior - Husq Gray
539 30 01-33	S	Wrench, 15/16" Open End	541 20 84-34	B	Flange Guard, 5" - Husq Gray
539 30 02-43	J	Fitting, Close Nipple, 1/2" Pipe	541 20 84-35	B	Flange Guard, 8" - Husq Gray
539 30 02-68	H	Cotter Pin, 1/8"	541 20 84-37	O1	Front Axle Weldment, FS8400 - H Gray
539 30 03-04	P1	Pin, Pivot	541 20 84-39	X1	Blade Guard, Rear - 30" H Gray
539 30 03-06	P1	SHSS, 10-32 x 1/4	541 20 84-40	X1	Cover, Blade Shaft - H Gray CE
539 30 03-10	U1,V1	Adapter, 90° EI 6 SAE x 6 JIC	541 20 84-41	X3	Blade Guard, Front 48" - Husq Gray
539 30 03-40	F,G	Handle Bar, 1"	541 20 84-42	X3	Blade Guard, Rear 48" - Husq Gray
539 30 04-40	Q1	Cap, Bolt	541 20 84-44	X1	Blade Guard, Rear - 36" H Gray
539 30 10-03	H	Pointer, Depth Indicator	541 20 84-45	X1	Blade Guard, Rear - 26" H Gray
539 30 11-53	H	Switch, Depth Stop	541 20 84-49	A	Frame FS8400 - Husq Gray
539 30 13-66	H	Nut, Lock 6-32 Nyloc	541 20 84-50	X1	Blade Guard, Rear - 18" H Gray 2"
539 30 13-67	H	RHMS, 6-32x1 Slotted	541 20 84-51	X1	Blade Guard, Front -18" H Gray 2"
539 97 69-34	V1	HHCS, 5/16-18x3/4	541 20 84-54	X4	Blade Guard, Rear 60" - Husq Gray
539 97 69-79	H	Nut, Hex 3/8-16	541 20 84-54	X4	Blade Guard, Rear 60" - Husq Gray
539 99 00-52	V1	Washer, Lock 1/4, S/T	541 20 84-55	X4	Blade Guard, Front 60" - Husq Gray
539 99 00-55	B,P1	Washer, Flat 1/4"	541 20 84-55	X4	Blade Guard, Front 60" - Husq Gray
539 99 00-71	V1	HHCS, 1/4-20x1/2	541 20 84-56	A	Sheet Engine, Guard FS8400 RH - H Gray
539 99 01-18	P1,Q1,V1	Washer, Lock 3/8, S/T	541 20 84-57	X3,X5	Brace, Blade Guard Internal
539 99 01-22	H	Washer, Flat 3/8 SAE	541 20 84-58	X2	Blade Guard, Rear 42" - Husq Gray
539 99 01-34	P1	HHCS, 3/8-16x3/4 Gr5	541 20 84-59	X2	Blade Guard, Front 42" - Husq Gray
539 99 01-87	V1	Lockwasher, Split 5/16	541 20 84-60	AA	Frame Extension, FS8400 - Husq Gray
539 99 01-88	A	Flatwasher, 5/16 SAE	541 20 84-61	X2	Shaft Cover, 42" CE - Husq Gray
539 99 02-50	M	Washer, Flat 1/2" SAE	541 20 84-62	D	Bracket, Throttle Cable - H. Gray
539 99 02-54	C,Q2	Washer, Lock 1/2	541 20 84-63	B	Spade, Slip-On, Low Shaft - LH - H. Gray
539 99 03-33	Q1	Washer, Lock 5/8	541 20 84-64	B	Spade, Slip-On, Low Shaft - RH - H. Gray
539 99 05-55	P1	Pin, Cotter 3/32 x 1/2	541 20 84-65	X2	Brace, Front - Husq Gray
539 99 05-63	Q1,V1	HHCS, 3/8-16x1 Gr5	541 20 84-66	B	Sheave Guard, Low Shaft - RH - H Gray
539 99 06-37	H	HHCS, 3/8-16x2-1/2 Gr5	541 20 84-67	B	Sheave Guard, Low Shaft - LH - H Gray
541 20 04-83	Q1	Clamp, Muffler	541 20 84-68	AA	Belt Guard RH 60" - Husq Gray
541 20 05-33	H	Bearing Flange, AF2436	541 20 84-69	AA	Bracket, Guard Mount, RH - H Gray
541 20 09-89	W	Gauge, Air Flow Restriction	541 20 84-70	AA	Belt Guard LH 60" - Husq Gray
541 20 15-93	E	Switch, E-Track Control	541 20 84-71	AA	Bracket Guard Mount, LH - H Gray
541 20 16-61	E	Circuit Breaker, 25 Amp	541 20 84-72	AA	Cover, Shaft - Husq Gray
541 20 19-08	S	V-Belt: 3VX500 - 5 Band	541 20 84-73	X5	Brace, Blade Guard External 60" - H. Gray
541 20 19-09	S	V-Belt 3VX500 4-Band	541 20 84-74	X5	Brace, Blade Guard 60" - Husq Gray
541 20 20-61	H	Pulley, Depth Indicator	541 20 84-75	AA	Angle, Belt Guard Mount 60" - H. Gray
541 20 45-91	Y	Fitting, Pipe Str Elbow, 3/4"	541 20 84-76	X2	Bracket, Bld Grd Brace 42" - H. Gray
541 20 46-61	Y	Fitting, 3/4 MGHx3/4 FPT	541 20 84-84	X3	Bracket, Brace 48" - Husq Gray
541 20 46-72	T	Fitting, Pipe Coupling, 1/8"	542 02 00-49*	F,K	Clamp, Hose SAE004
541 20 47-56	A,U2	Fitting, Hydr Str 6JICx6SAE	542 02 00-50*	R	Hose Clamp SAE32
541 20 47-68	U1,V1	Fitting, Hydr 90° Elbow 4JICx6SAE	542 02 01-30*	E	Nut, Hex, #4-40
541 20 48-06	U1	Adapter 90° Elbow 8SAEx6JIC	542 02 01-32*	E	Nut, Hex, #10-24
541 20 48-55	J,P1	Fitting, 3/4GHx1/2MPT	542 02 01-36*	M	Nut, Hex, 3/8-16
541 20 48-70	P1	Fitting, 1/2Hx1/2MPT	542 02 01-77*	V2	Nut, Thin Jam
541 20 48-85	C,Q2	HHCS, 1/2-13x4-1/2 Gr 5	542 02 01-80*	N1,S	Nut, Hex Jam Thin 1"-14 UNF
541 20 49-11	V1	Fitting, Cap - 6JIC	542 02 01-97*	Z	Locknut, Fiber 5/16-18
541 20 49-25	T	Fitting, Pipe Nipple, 1/8"x2-1/2"	542 02 01-99*	I	Locknut, Fiber 3/8-16
541 20 49-83	V1	Fitting, Hydr Run Tee - 6JIC	542 02 02-01*	X4	Locknut, Fiber 1/2"-13
541 20 49-91	N1	Fitting, Hydr Str Adapter 10SAE-6JIC	542 02 02-16*	C,N1	Locknut, Flex 1/2"-20 UNF
541 20 50-11	O2,V1	Fitting, Hydr Str Adapter 4SAE-4JIC	542 02 02-44*	B	Nut, Lock Wing 1/4-20
541 20 53-01	M	HHCS, M16-2.00x80	542 02 02-96*	Y	Nipple, Close Pipe 3/4" Steel Galv
541 20 66-91	Q1	Clamp, Exhaust 3.3 Turbo	542 02 03-04*	S	Pin, Dowel 3/8" Dia x 1.5"
541 20 68-88	S,T	Flange, Inner 5" Dia, 18"-26"-30"	542 02 03-13*	Z	HHCS, 5/16-18 x 3/4 Gr5
541 20 69-43	P1	Flywheel Coupling Assy	542 02 03-52*	C,X4	HHCS, 1/2"-13x5
541 20 71-05	P1	Belt Guard, J-D, Black	542 02 03-77*	M	HHCS, 3/8-16x1-1/2
541 20 71-91	N1	Rear Axle, Black	542 02 04-01*	E	RHMS, #4-40 x .75
541 20 80-06	T	Flange End Cover	542 02 05-87*	E,P1	HWHSTS, 10-24x.375 Type F
541 20 80-22	T	O-Ring -044	542 02 06-16*	N1	Pin, Cotter .125 x 1.50
541 20 84-13	A	Frame, FS6600 - Husq Gray	542 02 07-39*	Q1	Washer, Flat #10
541 20 84-15	L	Cowling, Front - Husq Gray	542 02 07-45*	I	Washer, Flat 1/2"
541 20 84-16	D	Cowling, Top Cover - Husq Gray	542 02 07-47*	S	Washer, Flat, 5/8 Dia
541 20 84-18	F	Cowling, Side LH - H Orange	542 02 07-64*	V1,X1	Washer, Flat 3/8 SAE
541 20 84-19	G	Cowling, Side RH - H Orange	542 02 07-67*	B,C,Q1,S,X1,AA	Washer, Flat 5/8 SAE

NOTE: Part No's. that have an ASTERISK (\*) suffix may not be active 9-digit numbers. The '542' prefix has been added to current 6-digit part numbers and '0' to 7 and 8-digit numbers.

**FS6600-FS8400 Husqvarna**

PART NO.	POS.	DESCRIPTION	PART NO.	POS.	DESCRIPTION
542 02 07-77*	A	Lockwasher, 5/16 Hi-Collar	542 16 60-38*	F,G,Z	Knob, 1.25 x 3/8-16UNC 2A
542 02 07-85*	X2	Lockwasher, Split 5/16 (M8)	542 16 61-21*	V2	Starter Switch - 12VDC
542 02 07-88*	S	Lockwasher, Split 1/2"	542 16 62-21*	E	Hour Meter
542 02 07-90*	S,X1	Lockwasher, Split 5/8"	542 16 63-07*	S,T	Flange, Outer w/Pin - 5" QDS, 18"-30"
542 02 08-64*	X1,X2,X4	Plug, Soc Hd 1/8 NPT Brass	542 16 63-51*	P1,P2	Bearing 6305-2RS
542 02 08-90*	M	Sash Cord, 1/4 Dia #85 (10 Ft)	542 16 63-52*	Q1,Q2	Isolator, Engine
542 03 08-22*	C,H	Pulley w/ Stud	542 16 63-56*	AA	HHCS, M16 -2.0 x 100
542 03 23-66*	C,H,X4	Nut, KEPS 5/16"-18	542 16 63-59*	E	Temp Gauge
542 04 02-75*	X1,X2,X3,X4	Adapter, 3/8"MPT x 3/4MGH	542 16 63-62*	S	V-Belt 3VX450 4-Band
542 04 03-30*	D	Spring,	542 16 63-63*	S	V-Belt 3VX430 4-Band
542 04 11-75*	O1	Fitting, Grease	542 16 63-65*	S	Pulley, 4.75" Gearbox, 18"
542 04 31-45*	X1	Spring, Blade Guard 2" Wide	542 16 63-66*	S	Pulley, 3.65" Gearbox, 30"-36"-42"
542 04 32-03*	M	Clamp, OETIKER 1/2"	542 16 63-68*	Q1	HHCS, M16 -2.0 x 90
542 04 36-91*	D	Spring, DPT/IND 3/16 x 16-3/8	542 16 63-93*	R	Cap, Radiator, 10psi
542 04 56-40*	J	Washer, Filter	542 16 64-13*	F	Tank, Coolant Recovery
542 04 56-42*	J	Washer, Swivel-Filter 1/2"NPT x 3/4 GH	542 16 64-18*	Q1	Washer, Flat 2.8 x .657 x. 188
542 04 61-28*	X1,X3,X4	Decal: Warning (Bld Grd Size)	542 16 64-22*	C	HHCS, 1/2-13 x 4.75 Gr 5
542 04 64-02*	O1	Washer, Flat 1.03125	542 16 64-38*	E	Voltmeter
542 04 64-25*	M	Washer, Bowed	542 16 64-42*	Q1	Support, Engine Rear
542 04 71-61*	O1	Bearing, Pillowblock 1.25	542 16 64-48*	V1	Filter Head
542 04 87-40*	V1	HHCS, 3/8-16 x 1.25 Gr5	542 16 64-49*	V1	Filter, Spin-On
542 04 91-54*	X2,X3	Hinge 4" Width Z/P	542 16 64-59*	D	Filter, Radiator
542 04 91-96*	X2,X3,X4	Manifold, Water	542 16 64-66*	I	Rod End, #10-32UNF
542 04 92-06*	X2,X3,X4	Gasket, Manifold	542 16 64-80*	S	Washer, Flat 1.030 x 2.25
542 04 92-12*	X2,X3,X4	Clamp, Water Tube	542 16 64-91*	F,G	Set Collar, 1".I.D.
542 05 21-20*	Z	Switch, Toggle 2X464	542 16 65-94*	V2	Coil, Solenoid - 12VDC
542 09 05-52*	Y,Z	Plate, Switch	542 16 66-22*	E	Fuse Block
542 11 01-02*	T	Fitting, Grease 1/4 -28	542 16 66-24*	D	Fastener, Tufflock
542 13 64-76*	W	Hose Clamp, Worm Drive SAE 64	542 16 66-29*	S	V-Belt 3VX465 4-Band
542 13 80-59*	AB	Bracket, Weight, Black	542 16 66-30*	R	Hose Clamp, Worm Drive SAE24
542 13 90-21*	J	Valve, Ball 1/2"	542 16 66-72*	P1	Clamp, Vinyl Coated 1/4 x 5/16
542 13 95-68*	F,G	Grips, Handle	542 16 66-74*	P2	Clamp, Vinyl Coated 3/8 x 3/8
542 13 96-49*	P1	Adapter, 1/2 NPT x 3/8 NPTF	542 16 66-85*	P2	Rotor Assy, Electric Clutch
542 13 97-38*	X2,X3,X4	Locknut, Fiber M8	542 16 67-07*	E	Key Switch
542 13 97-41*	C,AB	HHCS, M12-1.75 x 30 FT	542 16 67-08*	E	Relay (See Tech Serv Bulletin 07.27.05T5B)
542 13 97-42*	I,R,X1,Z,AB	Locknut, Fiber M12 -1.75	542 16 67-50*	X1	Manifold, Water - 3"
542 13 97-45*	X1,X2,X3,X4	Locknut, Fiber M6 -1.0	542 16 68-15*	X1	Tube, Water, 30" Blade Guard
542 13 97-46*	X1,X2,X3,X4	Washer, Flat M6	542 16 68-16*	X1	Latch, Blade Guard, Slip-on
542 13 97-48*	X4	Locknut, Fiber M10	542 16 68-46*	X1	Tube, Water, 36" Blade Guard
542 13 97-49*	C,X4	HHCS, M10-1.5 x 25 FT	542 16 68-53*	A	Decal: Caution/Radiator Filter
542 13 97-51*	R,X1,X2,Z	HHCS, M12 -1.75 x 25	542 16 68-54*	E	Key, Ignition Set/2
542 13 97-59*	X1	HHCS, M6 -1.0 x 45	542 16 68-55*	E,Y,Z	Fuse, 10A Push In
542 13 97-61*	X2,X3,X4	HHCS, M6-1.0 x 20	542 16 68-57*	E	Blade Fuse, 5A
542 16 01-72*	D,E,P1	Cable, Throttle	542 16 68-78*	E	PHSTS, #10-24 x 1" Type F
542 16 01-96*	M	Pointer, Rod	542 16 68-80*	W	Adaptor, Restriction Indicator
542 16 03-93*	Q1,Q2,S	Washer, Flat 1-3/4OD x 11/16 x 5/16	542 16 68-90*	I	HHCS, M6 -1.0 x 30
542 16 07-04*	D, P1	Petcock, 1/4" NPT	542 16 68-91*	E,I	Locknut, Fiber, #10-32
542 16 08-40*	Q1	Mach Screw, Soc Button Hd, M6 -1.0x12	542 16 69-07*	P1	Valve, Oil Drain
542 16 24-96*	U1	SHCS, 1/4-20 x 3/4 GR8	542 16 69-34*	AB	Spacer: Black
542 16 31-86*	I	Bushing, Brass	542 16 69-42*	X3	Tube, Water, 48" Blade Guard
542 16 32-45*	F,G	Grommet, 5/8" I.D.	542 16 69-57*	X1	HHCS, M16-2.0 x 110
542 16 32-72*	S,T	Flange, Outer w/Pin - 6" QDS, 36"	542 16 69-83*	P1	Fan, Radiator 17" Dia
542 16 32-75*	X2,X3,X4	Guard, Splash - 3.50" x 12"	542 16 69-85*	X1	Tube, Water, 26" Blade Guard
542 16 33-19*	V2	Valve, Check Cart.	542 16 69-86*	X1	Tube, Water, 18" Blade Guard
542 16 33-21*	V2	Valve, Adj. Relief	542 16 70-35*	N2,O2	Pin, Cotter Hair Spring 1/2-5/8
542 16 33-24*	V2	Cap, Filler-Breather	542 16 71-25*	Q1	Eye Nut, Saw Tie-down
542 16 33-26*	V2	Strainer, Pump	542 16 72-89*	X1	Decal: Blade Direction - Small
542 16 33-50*	V2	Spring, Valve	542 16 72-98*	X1,X2,X3,X4	Decal: Blade Guard Caution
542 16 33-88*	X1	Manifold, Water - 2"	542 16 74-31*	C,N1	HHCS, M12-1.75 x 65
542 16 33-89*	X1	Guard, Splash - 2.75" x 12"	542 16 74-44*	AB	HHCS, M12-1.75 x 75
542 16 33-95*	X1	Clamp, Water Tube	542 16 74-47*	Q1,Q2	HHCS, M16-2.0 x 45
542 16 34-85*	S	Pin, Dowel 3/8" Dia x 1.75"	542 16 74-48*	Q1,X1,X2,AA	Locknut, Fiber M16 -2.0
542 16 34-87*	S	HHCS, 5/8-11 x 3-1/2 Gr8 R.H.	542 16 74-78*	X2,X4	HHCS, M8 -1.25 x 25 FT
542 16 34-88*	S	HHCS, 5/8-11 x 3-1/2 Gr8 L.H.	542 16 74-91*	B	SHCS, CSK M10 -1.5 x 25
542 16 34-89*	S	HHCS, 5/8-11x4.25 RH Thd Gr BD	542 16 75-03*	X1	Bolt, Latch Pivot M8 x 1.25
542 16 34-90*	S	HHCS, 5/8-11x4.25 RH Thd Gr BD	542 16 75-32*	X3,X5	HHCS, M12-1.75 x 140
542 16 35-82*	M	Wheel, 5"	542 16 75-51*	X2,X3,X4	HHCS, M6-1.0 x 40 DIN931
542 16 36-72*	G,L	Grommet, 3/4 I.D.	542 16 75-55*	A,B,C,D,F,G,J,L	M8 x1.25 Multi-Thread "U" Nut
542 16 36-88*	G,I	HHCS, M6 -1.0 x 16	542 16 75-64*	AB	HHCS, M12-1.75 x 45 FT
542 16 36-89*	G,Q1,X1	Lockwasher, Split M6	542 16 76-31*	AB	HHCS, M12-1.75 x 100 DIN931
542 16 39-27*	AB	Weight - Black	542 16 77-22*	P1	PHMS, M5 -0.8 x 12
542 16 39-77*	B,AA	Chain Loop, Tiedown	542 16 77-61*	X1	HHCS, M5 -0.8 x 20
542 16 39-86*	X2,X3,X4	Decal: Blade Direction - LH	542 16 78-18*	X1	FLHMS, M6-1.0 x 16
542 16 42-97*	O1	Fitting, Grease	542 16 78-24*	X1	Hinge, 2" Width
542 16 43-70*	N2,Y	Terminal Tab, Insulated Push On, Male	542 16 79-25*	C	FHCS, M8 -1.25 x 30 Full Thread
542 16 46-32*	N1,S	Key, Woodruff (ANSI #808)	542 16 90-65*	P1,Q2	Decal: Warning/Muffler
542 16 49-54*	U1	SHCS, M10-1.5 x 25 Lo Hd Gr8	542 16 93-96*	Y	Washer, Flat, M5 Wide

NOTE: Part No's. that have an ASTERISK (\*) suffix may not be active 9-digit numbers. The '542' prefix has been added to current 6-digit part numbers and '0' to 7 and 8-digit numbers.

FS6600-FS8400 Husqvarna

PART NO.	POS.	DESCRIPTION	PART NO.	POS.	DESCRIPTION
542 17 20-11*	X1	Nut, Hex Hd M5 -0.8	542 19 10-82*	W	Air Cleaner 8" - Compl
542 17 20-17*	B,Q1,X2,X3,X4	Nut, Hex M6	542 19 11-14*	W	Housing, Air Cleaner
542 17 20-27*	X2,X3	Nut, Hex M8	542 19 11-15*	W	Element, Primary
542 17 20-28*	X2,X3	HHCS, M8 -1.25 x 16	542 19 11-16*	W	Element, Safety
542 17 23-46*	U1	HHCS, M5 -0.8 x 25	542 19 11-18*	W	Valve, Air Cleaner
542 17 23-56*	Y	HHCS, M12-1.75 x 16	542 19 13-16*	P1	Hose, Oil Drain x 20"
542 17 24-95*	AB	Lockwasher, Split M12	542 19 14-03*	Q1	Bracket, Muffler Guard CE
542 17 25-01*	B	HHCS, M10-1.5 x 110	542 19 14-29*	T	Bearing 209PP
542 17 30-09*	C,O1	Nut, Hex M12	542 19 17-56*	S	Flange, Outer 10" CCD Roger B/O
542 17 30-14*	X4	Washer, Flat M10	542 19 17-70*	O1	Wheel Assy, w/ Ball Bearing, 3x8
542 17 30-19*	X1,X2,X3	Lockwasher, External Tooth, M8	542 19 17-87*	S,T	Flange, Outer w/DP - 10"
542 17 30-59*	X1,X2,X3,X4	Washer, Flat M8	542 19 17-88*	S	HHCS, 1/2-13 x 2.5 Gr 8
542 17 46-79*	F,G	Lever, Adjustable	542 19 17-96*	AB	Weight Box
542 17 47-40*	Y	Hose Clamp, Worm Drive SAE 6	542 19 18-44*	X4	Water Tube Assy, 60"
542 17 49-86*	Y	Hose Clamp, Worm Drive SAE12	542 19 18-45*	X4	Tube, Water, 60"
542 17 62-23*	A,V1	Decal: Caution/Warning (Shields)	542 19 18-46*	P1	Breather, 3/8" NPT
542 17 63-83*	E	Switch, E. Stop	542 19 18-94*	H	Cable Assy, Dpth Ind
542 17 63-98*	I	Switch Neutral Safety	542 19 18-95*	S	Pulley, 4.12" Gearbox, 26"
542 17 67-52*	AB	HHCS, M12-1.75 x 200	542 19 19-27*	H	Spring, .375" Dia
542 17 69-94*	I	Speed Control/Shift Frame	542 19 19-43*	S,T	Flange, Outer w/Pin - 8" QDS, 48"
542 17 69-96*	I	Arm, Shifter Pivot	542 19 19-62*	B,C,Q1,Q2,X1	Lockwasher, Split M16
542 17 69-98*	I	Shift Pivot Point	542 19 19-62*	X2,AA	Lockwasher, Split M16
542 17 70-56*	Y,Z	Terminal, Wire 1/4" (16-14Ga)	542 19 19-63*	T	Vent Plug 1/8 NPT
542 17 70-66*	B	Boot, Rubber, Batt. Term. - Black	542 19 51-27*	X1	Hinge, Blade Guard, 3"
542 17 72-39*	N2	Pin, Rue Ring 1/2" Dia	542 19 59-24	D	Latch, Radiator Filter Secure
542 17 86-87*	Y	Fitting, 3/4 MGH x 3/4 MPT	542 19 60-29*	X1,X2,X3,X4	Decal: LwA 119dB
542 17 87-24*	J	Switch, Pressure, N.O.	542 19 61-73	J	Hose, Water 1/2 ID x 66" FGH (x1)
542 18 00-23*	V2	Screen, Filter	542 19 66-29	S	V-Belt 3VX435 4-Band
542 18 04-27*	E	Decal: Patents	542 19 71-01*	Y,Z	Cable Tie, Plastic 8 In X .094
542 18 10-09*	M	Nut, Hex Jam M16 -2.00	542 19 71-70*	X1,X2,X3	Wing Bolt, M6 -1.0 x 16
542 18 10-26*	A	Decal: Caution/Radiator Filter CE	542 19 72-27*	X1	HHCS, M8 -1.25 x 20
542 18 10-39*	I	Washer, Friction .656ID	542 19 80-43*	P1	Hose, Water 1/2 ID x 36" Fem Sw (x2)
542 18 10-59*	A	Decal: DIESEL	542 19 80-77*	B	Battery Group 48
542 18 10-65*	P1	Relay, Solenoid	542 19 80-78*	B	Battery Hold Down Group 48
542 18 11-18*	Z	Support Tube: PC BLK	542 19 81-00	AB	Weight, w/Handle
542 18 11-20*	Z	Support Bar: PC BLK	542 19 81-02*	X4	Hinge Half, Outer (Less Pin)
542 18 11-24*	Z	Grommet: 3/16"	542 19 81-03*	X4	Hinge Half, Inner (Less Pin)
542 18 11-26*	Z	Wire Assy: 36" x 16 GA - Blk	542 19 81-19*	P1	Boot, Rubber, Batt. Term. - Red
542 18 11-27*	Z	Wire Assy: 16" x 16 GA - Blk	542 19 81-63*	X1	Blade Guard, 18" H Gray w/Decals 2"
542 18 11-78*	B	J-Bolt: .25-20 X 9.0	542 19 81-64*	X1	Blade Guard, 26" H Gray w/Decals
542 18 12-06*	O2	Orifice, Disc 0.031"	542 19 81-65*	X1	Blade Guard, 30" H Gray w/Decals
542 18 13-61*	F	Grommet, 7/16 I.D.	542 19 81-66*	X1	Blade Guard, 36" H Gray w/Decals
542 18 20-96*	I	Plate, Cover Raise / Lower Switch	542 19 81-67*	X3	Blade Guard, Rear - 48" PC Gray
542 18 20-99*	I	Terminal, Solder	542 19 81-77*	X2	Bld Grd, Rear - 48" PC Gray
542 18 21-02*	I	Switch, Toggle	542 19 81-82*	X1	Blade Guard, Front -26" H Gray w/ Decals
542 18 21-46*	I	Boot, Half-Toggle Switch	542 19 81-83*	X1	Blade Guard, Front -30" H Gray w/ Decals
542 18 21-84*	B	Cable, Batt. 4Ga x 44" - Red	542 19 81-84*	X1	Blade Guard, Front -36" H Gray w/ Decals
542 18 22-19	E	Switch (Rocker)	542 19 81-85*	X3	Blade Guard, Front - 48" Gray w/ Decals
542 18 22-20	E	Switch, Clutch On-Off	542 19 81-86*	X3	Bld Grd & Hinge Assy 48"-Gray w/ Decal
542 18 22-28	H	Harness, Depth Stop	542 19 81-87*	X4	Latch, Blade Guard - 48" PC Gray
542 18 22-33	P2	Diode Assy, FSZ Clutch	542 19 81-90*	X3	Blade Guard 48" B/O-Gray w/ Decals
542 18 22-80	E	Harness, Engine - P1	542 19 81-91	X4	Blade Guard 60" B/O - Gray
542 18 22-81	E	Harness, Cowl - P2	542 19 85-27	D	Radiator, 3-Row, 3-Pass FS6600
542 18 23-03	M	Pointer, Front - Husq Gray	542 19 85-38	B	Spade, Blade Guard, R.H. Black
542 18 23-05	B	Brkt, Support - Engine Rear - Husq Gray	542 19 85-40	B	Spade, Blade Guard, L.H. Black
542 18 23-06	M	Bracket, Front Pointer - Husq Gray	542 19 87-78	X1	Blade Guard, 18" H Gray w/Decals
542 18 30-01*	I	Iglide Bushing	542 19 87-79	X1	Blade Guard, Rear - 18" H Gray
542 18 30-06*	V2	Valve, Cart. Solenoid	542 19 87-80	X1	Blade Guard, Front -18" H Gray w/ Decals
542 18 31-06*	K	Cap, Fuel	542 19 88-12	P1	Spacer, Fan JD 4-Cyl
542 18 31-24*	I	Spring Washer, Bellville Disc	542 19 88-15	E	Blade Fuse, 30A
542 18 31-37*	I	Bracket, Neutral Safety Switch	542 19 88-42	N1	Wheel, Rear 10" Dia x 3"
542 18 31-54*	I	HHCS, .375-16UNC Spcl	542 19 88-43	N1	Wheel Hub
542 18 33-75*	P1	Plug, Hole 3/4"	542 19 88-58	S,T	Pulley, 4.75" Taprd Bldshaft, 26"-30"
542 18 33-96*	M	Front Pointer Comp.	542 19 88-64	S,T	Flange, Inner 6" Dia, 36"
542 18 35-30*	P1	Fitting, Elbow - Oil Drain	542 19 88-65	S,T	Pulley, 5.6" Tapered Bladeshaft, 36"
542 18 37-69*	E	Decal: Throttle, Diesel	542 19 88-66	S,T	Pulley, 4.12" Tapered Bladeshaft, 18"
542 18 38-78*	AA	HHCS, M16-2.0 x 35	542 19 88-78	N1	Wheel Motor, Parker
542 18 39-98*	X1	Lanyard, Nylon Coated SS	542 19 88-90	P1	Aux Pump Adapter Plate
542 18 39-99*	X1	Drive Screw #10 x 1/2 Lg	542 19 89-00	U1	Capscrew - Flywheel
542 18 44-56*	R	Gasket, Rockford Pump	542 19 89-15	U2	Bypass/Counterbalance Valve
542 18 84-36*	E	Indicator Light, Red	542 19 89-16	O2	Valve, Needle - Lift Cyl
542 19 04-33	N1	Hub Assy w/ Bearings, 1 Seal & Cap	542 19 89-17	U2	Valve, Needle - Bypass
542 19 07-01	D	Decal: HUSQVARNA / FS 8400 D	542 19 89-24	N2	Actuator Pivot Bracket
542 19 07-02	D	Decal: HUSQVARNA / FS 6600 D	542 19 89-27	A	Grommet 1/2 x 1.25
542 19 07-17	NS	Decal: 3" Husq Crown	542 19 89-32	O2	Pin, Pivot 3/4" Dia x 2-1/4"
542 19 07-33	J	Decal: HUSQVARNA, 250mm	542 19 89-34	O2	Mounting Block
542 19 10-75*	X4	Rubber Bumper, Idler Stop	542 19 89-36	O1	Cylinder Pin, Front

NOTE: Part No's. that have an ASTERISK (\*) suffix may not be active 9-digit numbers. The '542' prefix has been added to current 6-digit part numbers and '0' to 7 and 8-digit numbers.

FS6600-FS8400 Husqvarna

PART NO.	POS.	DESCRIPTION	PART NO.	POS.	DESCRIPTION
542 19 89-40	P1	Spacer, Fan JD 5-Cyl	542 19 93-51	R	SHCS, M12 X 1.75 X 30
542 19 89-42	P1	Flywheel - Mod.	542 19 93-52	U1	Key, 5mm Sq. x 25mm
542 19 89-43	P1,P2	Spacer, Pilot Bearing	542 19 93-53	N1	Hose Assy, 6FJ90° x 6FJ90° x 21"
542 19 89-49	U1	O-Ring -042	542 19 93-54	N1	Hose Assy, 6FJ90° x 6FJ90° x 31"
542 19 89-53	P2	Snap Ring, 1.375 Shaft	542 19 93-55	N1	Hose Assy, 6FJ90° x 6JF x 15"
542 19 89-60	D	Radiator, 4-Row, 1-Pass FS8400	542 19 93-56	U2	Hose Assy, 6FJ90° x 14.5
542 19 89-61	U1	Bushing G 15 MM	542 19 93-58	V1	Hose Assy, 4JFStr x 4JF90° x 22.5"
542 19 89-62	P1	Engine, JD 4-Cyl	542 19 93-59	V1	Hose Assy, 4FJ x 4FJ90 x 54"
542 19 89-64	U1	Gear JD Aux Drive w/ Ctr.Bor.	542 19 93-60	V1	Hose Assy, 6JFStr x 6JFSw x 12-1/2"
542 19 89-65	N1	Swivel, M12 x 1.75	542 19 93-61	P1	Sender, Water Temp.
542 19 89-75	P2	Armature Assy, Modified 1000	542 19 93-65	P1	Mount, Glow Plug Relay
542 19 89-76	U1	Hydro Pump, Parker H1	542 19 93-78	S,T	Flange, Outer w/Pin - 7" QDS, 42"
542 19 89-91	U1	Speed Control, Hydro	542 19 93-79	P1	Assy, Oil Drain FS6600
542 19 89-96	B	Actuator Shield	542 19 93-87	P2	Hub, Clutch Drive
542 19 90-08	Q1	Arm, Engine Mount JD 4-Cyl	542 19 93-90	X2	Blade Guard Assy, 42" Gray w/Brace
542 19 90-12	K	Fuel Tank	542 19 93-96	P2	Field Coil, Warner 1000 w/ Leads
542 19 90-16	L	Angle, Radiator Mount, 3 Row PC Blk	542 19 93-97	B	Cable, Batt. Pos. 0Ga x 18" - Red
542 19 90-17	G	Handlebar Mount R.H.	542 19 93-98	B	Cable, Batt. Neg. 0Ga x 28" - Black
542 19 90-18	F	Handlebar Mount L.H.	542 19 94-01	P1	Engine w/ Flywheel Mod JD 4-Cyl
542 19 90-21	L	Insulator, Rubber w/o Holes	542 19 94-04	Q1	Bracket, Lift Bail - Black
542 19 90-26	C	Assy, Radiator Mount	542 19 94-06	Q1	Frame, Lift Bail - FS6600
542 19 90-29	A	Insulator, Rubber w/ Holes	542 19 94-10	P1	Engine, 4 Cyl, John Deere
542 19 90-31	E	Instrument Panel Weld't - PC Gray	542 19 94-14	U2	Valve, C-Balance
542 19 90-38	E	Instrument Panel Cover - PC Gray	542 19 94-19	Q1	HHCS, M16-2.0 x 65
542 19 90-39	J	Insulator, Rubber	542 19 94-20	E	Washer, Lock, Split, #4
542 19 90-44	T	HHCS, M8 -1.25 x 75	542 19 94-26	N1	Nut, Castle 1-14 UNF
542 19 90-45	S	Key 1/4"Sq x2.5 Round Both Ends	542 19 94-27	N1	Washer, 1" Bearing Spacer
542 19 90-53	A,B,C,D,F,G,J,L	Key, Round Ends 1/4 x 2-1/2	542 19 94-28	D	Decal: FS6600 Op Instr, CE
542 19 90-53	N1-2,O1,P2,R,U1	Bolt, Hex Wshr Hd M8-1.25x25 Dg Pt	542 19 94-32	A	Decal: Bld Spd/Size Chart, FS6600 - CE
542 19 90-55	Q1	Bolt, Hex Wshr Hd M8-1.25x25 Dg Pt	542 19 94-32	A	Decal: Blade Speed/Size Chart, CE
542 19 90-55	Q1	Arm, Engine Mount JD 5-Cyl	542 19 94-33	E	Decal: E-Track Control
542 19 90-68	Q1	Flange, Adapter	542 19 94-34	E	Decal: Blade Speed/Size Chart, FS6600
542 19 90-79	W	Hose, Air Intake FS6600	542 19 94-40	A	Decal: Hydro Bypass Valve
542 19 90-82	Q1	Muffler	542 19 94-51	I	Speed Control Compl
542 19 90-83	Q1	Bracket, Muffler	542 19 94-52	K	Hose, Fuel 5/16" - Supply & Return
542 19 90-93	V1	Bracket, Filter - Lift Pump	542 19 94-53	D	Radiator Assy FS6600
542 19 90-96	V1,V2	Pump, Hydraulic Lift	542 19 94-60	P1	Filter, Oil
542 19 90-97	B	Battery Tray	542 19 94-61	P1	Element, Fuel Filter
542 19 91-11	W	Hose, Air Intake FS8400	542 19 94-66	T	Bladeshaft Assy - compl 18"
542 19 91-24	J	Fitting, Parker, 2107-8-8-S	542 19 94-67	T	Bladeshaft Assy - compl 26/30"
542 19 91-25	J	Fitting, Parker, 1/2 CR-S	542 19 94-69	T	Bladeshaft Assy - compl 36"
542 19 91-26	J	Fitting, Parker, 1/2 MMO-S	542 19 94-70	T	Bladeshaft Assy - compl 42"
542 19 91-27	J	Fitting, Parker, 1/2 CD45-S	542 19 94-75	N2	Brkt, Actuator Pivot, Long Blk
542 19 91-28	X1,X2,X3,X4	Spring, Blade Guard -3" Wide	542 19 94-78	F	Hose, Radiator Overflow
542 19 91-36	L	Angle, Radiator Mount, 4 Row PC Blk	542 19 94-79	Q1	HHCS, M16-2.0 x 35
542 19 91-38	N2	Actuator, 40mm Stroke	542 19 94-80	P2	Bushing, Rubber 1/2"ID x 3/4"OD x 3/4"
542 19 91-60	S,T	Pulley, 6.4" Tapered Bladeshaft, 42"	542 19 94-81	P1,S	Gearbox Model, Superior
542 19 91-67	Q1	Bracket, Speed Control	542 19 94-84	Q1	Hose Clamp, Worm Drive SAE 96
542 19 91-69	D	Bracket, Throttle	542 19 94-93	N1	Axle Pivot Part
542 19 91-83	I	Cable, Push-Pull	542 19 94-94	N2	Actuator - Compl
542 19 91-86	P1	Bracket, Throttle Cable	542 19 95-02	S	V-Belt 3VX435 4-Band
542 19 91-92	V1	Bracket, Pump Mount	542 19 95-12	N2	Bracket, Actuator Connector
542 19 92-02	H	Bracket, Depth Indicator	542 19 95-30	S	Pulley, 10G3V 3.65 Gearbox 30-60"
542 19 92-05	G,H	Depth Indicator	542 19 95-31	S	Pulley, 10G3V 4.13 Gearbox 26"
542 19 92-10	K	Draw Tube, Fuel Line Weldment	542 19 95-32	S	Pulley, 10G3V 4.75 Gearbox 18"
542 19 92-17	D	Shroud, Radiator	542 19 95-33	S,T	Pulley, 10G3V 4.12 Bladeshaft 18"
542 19 92-22	I	Handle & Switch Assy	542 19 95-34	S,T	Pulley, 10G3V 4.75 Bladeshaft 26-30"
542 19 92-30	I	Tube, Speed Controller,	542 19 95-35	S,T	Pulley, 10G3V 5.60 Bladeshaft 36"
542 19 92-35	K	Fitting, Elbow 5JIC x 6SAE	542 19 95-36	S,T	Pulley, 10G3V 6.90 Bladeshaft 48"
542 19 92-36	K	Fitting, 5JIC37/45°SAE Sw x 5/16H	542 19 95-37	S,T	Pulley, 10G3V 9.30 Bladeshaft 60"
542 19 92-37	R	Radiator Hose, Suction	542 19 95-53	P1	Engine w/ Flywheel Mod JD 5-Cyl
542 19 92-39	N2	Pin, 12mm	542 19 95-53	P1	Engine, JD 5-Cyl w/ Flywhl CL Mod
542 19 92-41	N2	Pin, 10mm	542 19 95-54	S	V-Belt 3VX430 5-Band
542 19 92-43	Q1	Exhaust Elbow, 90°	542 19 95-55	N1	Rear Axle Assy, FS6600/FS8400
542 19 92-47	J	Bracket, Water System	542 19 95-56	C,O1	Front Axle Assy, FS8400
542 19 92-51	R	Bracket, Radiator Fill Mount	542 19 95-59	D	Radiator Assy FS8400
542 19 92-55	R	Neck, Radiator Fill	542 19 95-66	W	Hood, Air Inlet
542 19 92-57	R	Clamp, Support	542 19 95-68	S	V-Belt 3VX435 5-Band
542 19 92-72	I	Radiator Hose, Return, Upper	542 19 95-70	S,T	Flange, Inner, Tap. Shaft, B/O-10"
542 19 92-73	R	Radiator Hose, Return, Lower	542 19 95-80	T	Bladeshaft Assy, FS8400 18" - compl
542 19 92-74	Q1	Guard, Muffler Heat CE	542 19 95-81	T	Bladeshaft Assy, FS8400 26/30" - compl
542 19 92-77	B	Sheave Guard, L.H.	542 19 95-82	T	Bladeshaft Assy, FS8400 36" - compl
542 19 93-08	C	Wheel Bracket	542 19 95-83	T	Bladeshaft Assy, FS8400 48" - compl
542 19 93-17	S,T	Flange, Inner 7" Dia, 42"	542 19 95-84	T	Bladeshaft Assy, FS8400 60" - compl
542 19 93-31	S,T	Flange, Inner 8" Dia, 48"	542 19 95-85	E	Decal: Blade Speed/Size Chart, FS8400
542 19 93-34	N4	Rear Steering Axle Assy	542 19 95-86	E	Decal: Bld Spd/Size Chart, FS8400 - CE
542 19 93-41	C	Front Axle Assy	542 19 96-03	X2	Tube, Water, 42" Blade Guard - Compl

NOTE: Part No's. that have an ASTERISK (\*) suffix may not be active 9-digit numbers. The '542' prefix has been added to current 6-digit part numbers and '0' to 7 and 8-digit numbers.

**FS6600-FS8400 Husqvarna**

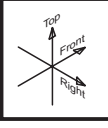
PART NO.	POS.	DESCRIPTION	PART NO.	POS.	DESCRIPTION
542 19 96-31	X2	Blade Guard Assy - 42" Gray w/ Decals	725 23 33-71	Y	HHCS, M5 x 25 8.8
542 19 96-32	X2	Blade Guard, Front - 42" Gray w/ Decals	725 23 70-71	X2	HHCS, M6 -1.0 x 20 8.8
542 19 96-33	N2	Slider, 2.75" Dia	725 23 73-71	I	HHCS, M6 -1.00 x 35 FT
542 19 96-37	Y	Pump, Water D283	725 24 51-71	P2	HHCS, M8 -1.0 x 20 8.8
542 19 96-38	Y	Pump & Motor Body	725 24 53-71	X2	HHCS, M8 -1.25 x 25 FT
542 19 96-39	Y	Port, Inlet 1/2 Hose Barb-Quad	725 24 57-76	P2	HHCS, M8 -1.25 x 35 10.9
542 19 96-40	Y	Grommet, Isolator	725 24 67-51	A	HHCS, M8 -1.25 x 80 8.8
542 19 96-41	Y	Filter Assy	725 24 85-71	O1	HHCS, M10 -1.5 x 20
542 19 96-43	Y	Filter Strainer Screen	725 24 93-71	B,P1,R,X5,AA	HHCS, M10-1.5 x 25 FT
542 19 96-45	Y	Water Pump mounting	725 24 95-71	B,P1,Q1,R,X2	HHCS, M10 -1.5 x 30 FT
542 19 96-46	Y	Plate, Water Pump Mount	725 24 95-71	X5,AA	HHCS, M10-1.5 x 30 FT
542 19 96-48	Y	Switch, Toggle, Single Pole	725 24 97-71	P1	HHCS, M10 -1.5 x 35
542 19 96-49	Y	Boot, Switch	725 25 01-51	C	HHCS, M10 -1.5 x 50
542 19 96-52	Y	Bracket, Water Pump Inlet	725 25 01-51	C,Q1	HHCS, M10-1.5 x 50 8.8
542 19 96-56	P1	Starter - JD 12V (2.2 kw)	725 25 15-51	AA	HHCS, M10 -1.5 x 120 8.8
542 19 96-57	Y	Hose Assy, 1/2" MGH	725 25 32-71	Q1,X2	HHCS, M12 -1.75 x 20
542 19 96-58	Y	Hose Assy, 3/4" FGH Swivel	725 25 34-71	B,R,X5	HHCS, M12 -1.75 x 25
542 19 96-71	Y	Electrical Cord Assy, Water Pump	725 25 36-71	A	HHCS, M12 -1.75 x 30 8.8
542 19 96-77	D	Lanyard, 24" Nylon-coated	725 25 42-71	O1,Q1,AB	HHCS, M12 -1.75 x 50 8.8 FT
542 19 96-82	X2	Brace Bracket, Blk	725 25 45-71	N3	HHCS, M12 -1.75 x 65 8.8
542 19 96-91	B,C,X2	HHCS, M16 -2.0 x 140	725 25 48-71	O1	HHCS, M12 -1.75 x 80 8.8 FT
542 19 96-92	C	Spacer Block, Blade Shaft - 1.5"	725 54 55-55	P2	SHCS, M8-1.25 x 30 12.9 B/O
542 19 97-00	S	V-Belt 3VX465 5-Band	731 43 20-01	Q1	Nut, Hex Jam Thin M10 -1.5
542 19 97-13	A	Decal: Depth Indicator Setting	732 25 14-01	U1,P1,Y	Nut, Lock M5 -0.8 Nyloc
542 19 97-14	A	Decal: Depth Indicator	732 25 16-01	I	Locknut, Fiber M6 -1.0
542 19 97-15	X2	Blade Guard Latch Grp 42"	732 25 16-01	B,X2	Nut, Lock M6 -1.0 Nyloc
542 19 97-21	AA	Flange Guard, 10"	732 25 18-01	D,T	Nut, Lock M8 -1.25 Nyloc
542 19 97-23	AA	Scuff Plate, Belt FS8400	732 25 20-01	B,P1,Q1,X2,X5	Nut, Lock M10 -1.5 Nyloc
542 19 97-41	V1	Hose Assy, 6JF90"L x 6JFSw x 14.5"	732 25 22-01	Q1,X2,X5	Nut, Lock M12 -1.75 Nyloc
542 19 97-42	T	Bladeshft Assy, 42" - compl	734 11 52-01	B,U1	Washer, Flat M6
542 19 97-46	S,T	Pulley, 10G3V 6.40 Bladeshft 42"	734 11 63-01	P2,X2,X3	Washer, Flat M8
542 19 97-49	G	Plate, Limiter - SS CE	734 11 72-01	B,P1,Q1,R,U1	Washer, Flat M10
542 19 97-53	AB	Bracket, Weight Box LH	734 11 72-01	X4,X5,AA	Washer, Flat M10
542 19 97-55	AB	Bracket, Weight Box Mount RH	734 11 78-01	A,C,F,G,Q1,R,	Washer, Flat M12
542 19 97-58	O2	Valve, Cartridge Check	734 11 78-01	X2,X5	Washer, Flat M12
542 19 97-61	O2	Cylinder, Hydr Lift - compl FS6600	735 11 64-01	A,P2	Lockwasher, Split M8
542 19 97-62	O2	Cylinder, Hydr Lift - compl FS8400	735 11 73-01	B,C,P1,U1,X5,AA	Lockwasher, Split M10
542 19 97-64	S	V-Belt 3VX485 4-Band	735 11 78-01	A,B,C,Q1,N1,R	Lockwasher, Split M12
542 19 97-65	S	V-Belt 3VX485 5-Band			
542 19 97-66	S	V-Belt 3VX465 5-Band			
542 19 98-60	N1	Seal, Shaft 1.25 x 2"			
542 19 98-61	N1	Bearing, Tappered Roller, 1"			
542 19 99-43	S,T	Flange, Outer w/Pin - 8" QDS, 48"			
542 19 99-94	B	Sheave Guard, Low Shaft - RH			
542 20 53-08	I	Bracket, Mounting			
542 20 53-09	I	Toggle Switch - Compl			
542 20 64-63	T	Bladeshft, Tapered w/ Tach			
542 20 64-68	E	Panel, Instrument - Husq Gray			
542 20 64-72	D,E	Instrument Panel - Compl - Husq Gray			
542 20 64-77	E	Decal: Instrument Panel			
542 20 64-79	T	Bladeshft Tube w/ Tach			
542 20 65-35	S,T,AA	BladeShaft Tube - Compl			
542 20 65-64	E	Bracket, Air Clean FS6600 - H Gray			
542 20 66-73	E	Tachometer			

NOTE: Part No's. that have an ASTERISK (\*) suffix may not be active 9-digit numbers. The '542' prefix has been added to current 6-digit part numbers and '0' to 7 and 8-digit numbers.

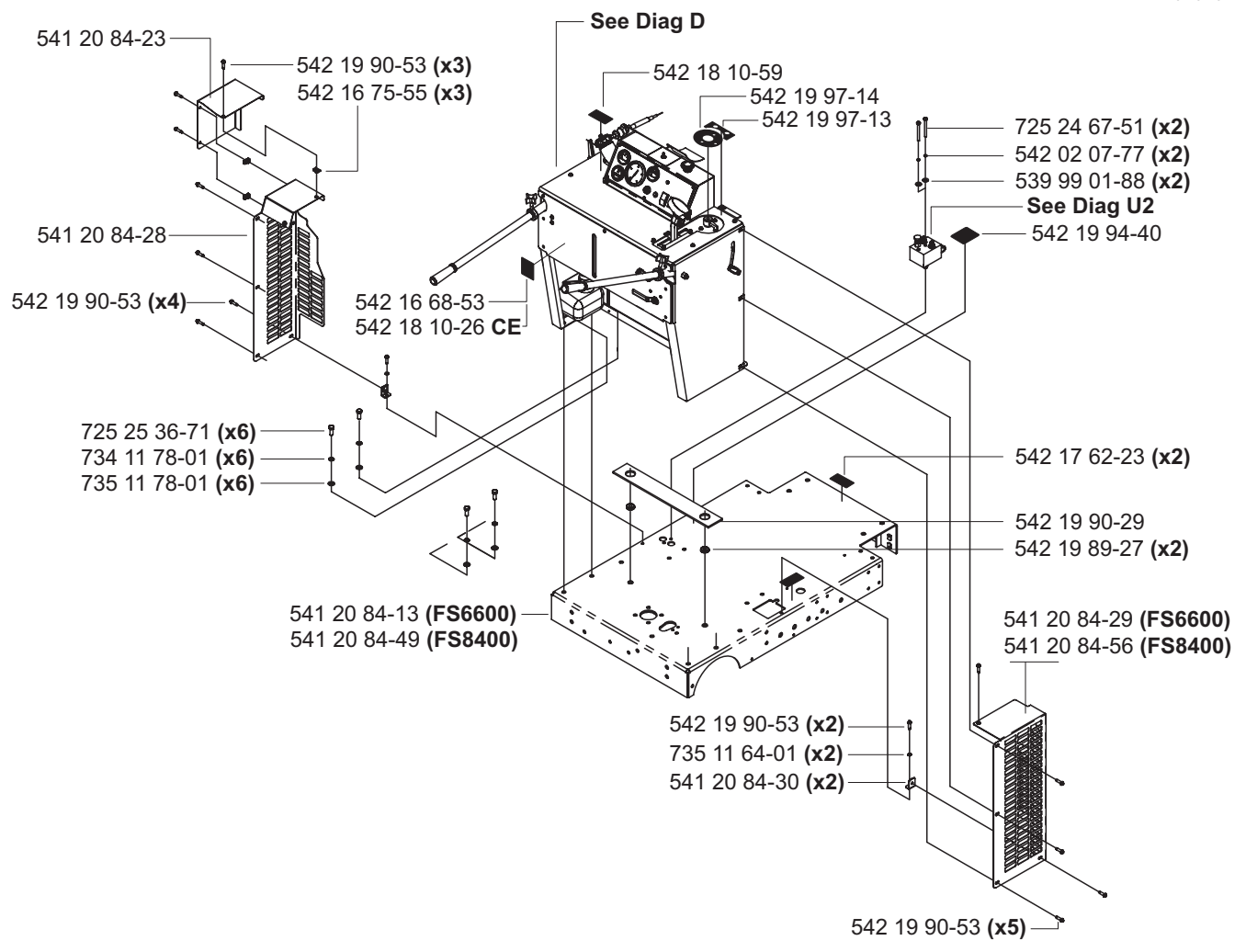




# A Frame & Cowling



01.04.07



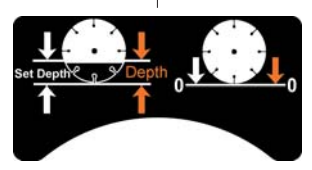
542 16 68-53



542 17 62-23



542 19 97-13



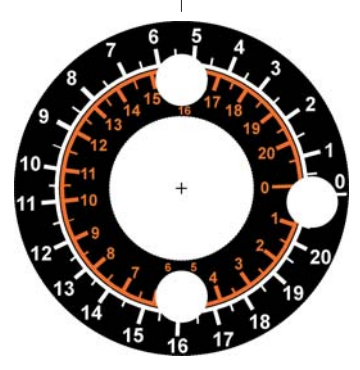
542 18 10-26 CE



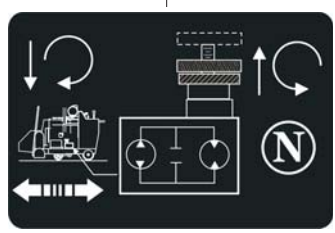
542 18 10-59



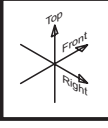
542 19 97-14



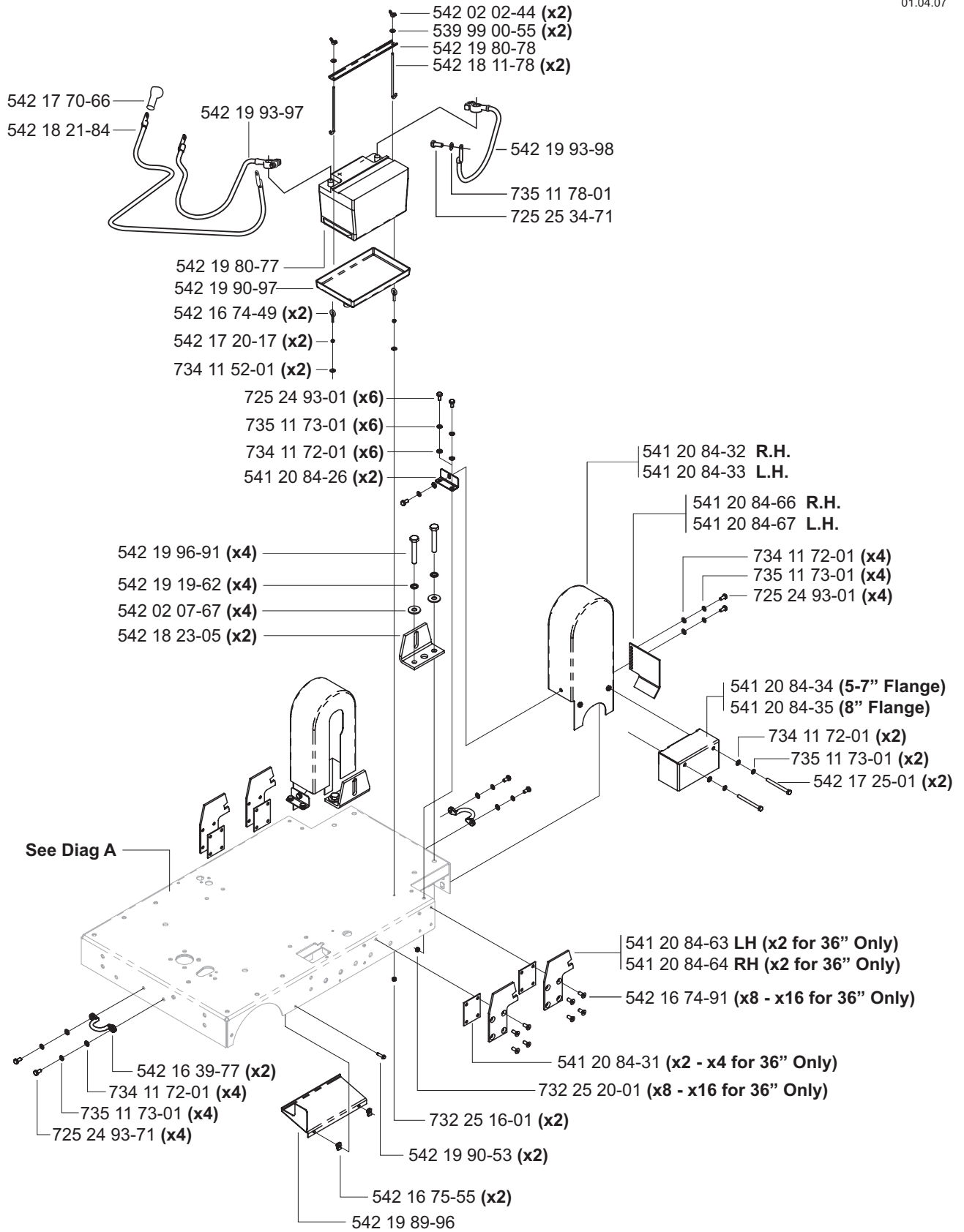
542 19 94-40



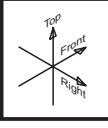
# B Upper Frame



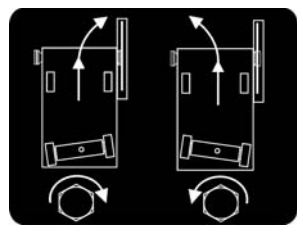
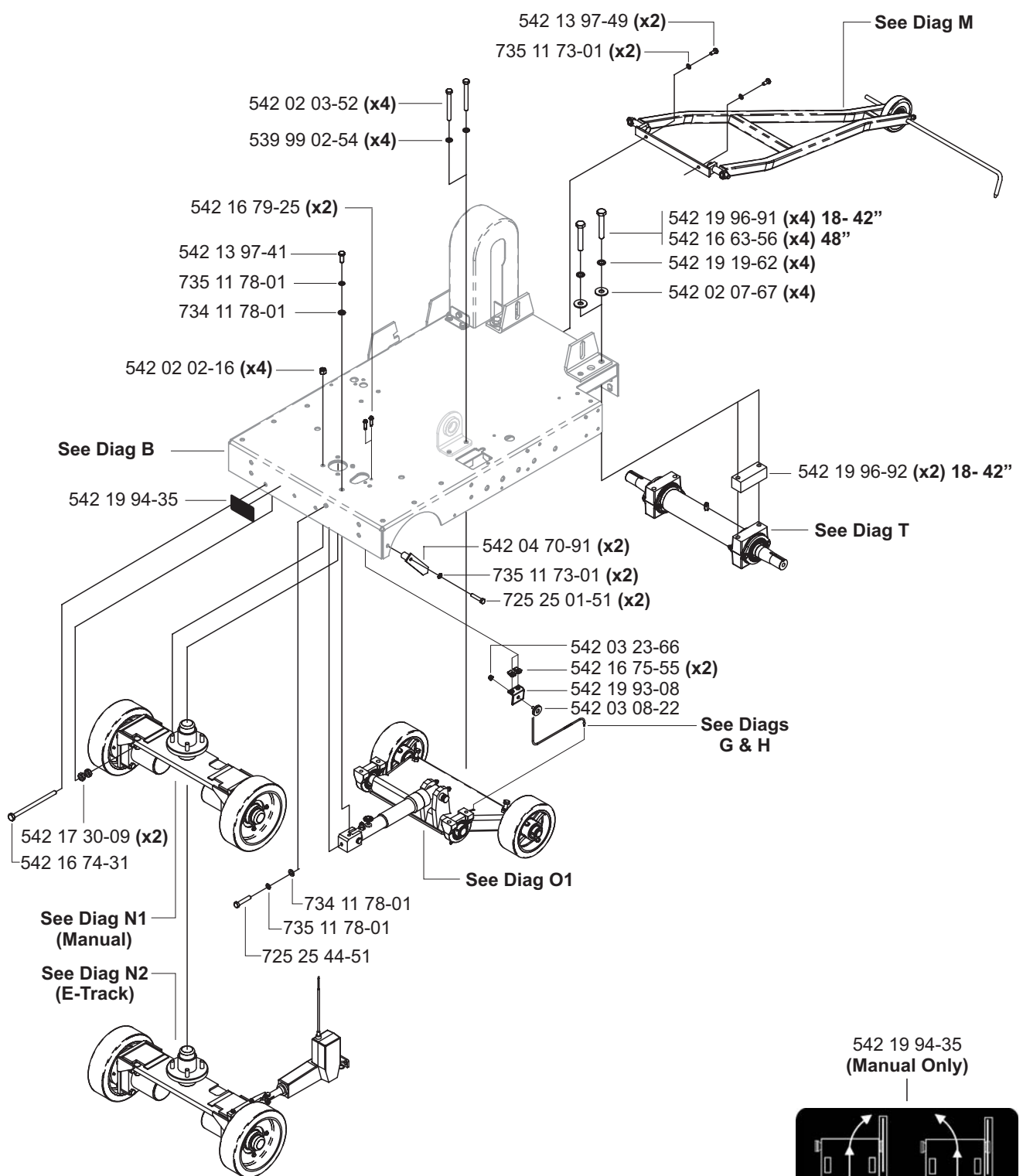
01.04.07



# C Lower Frame with Pointers



01.05.07

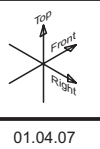




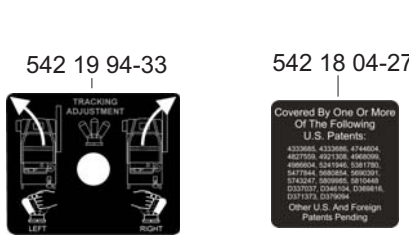
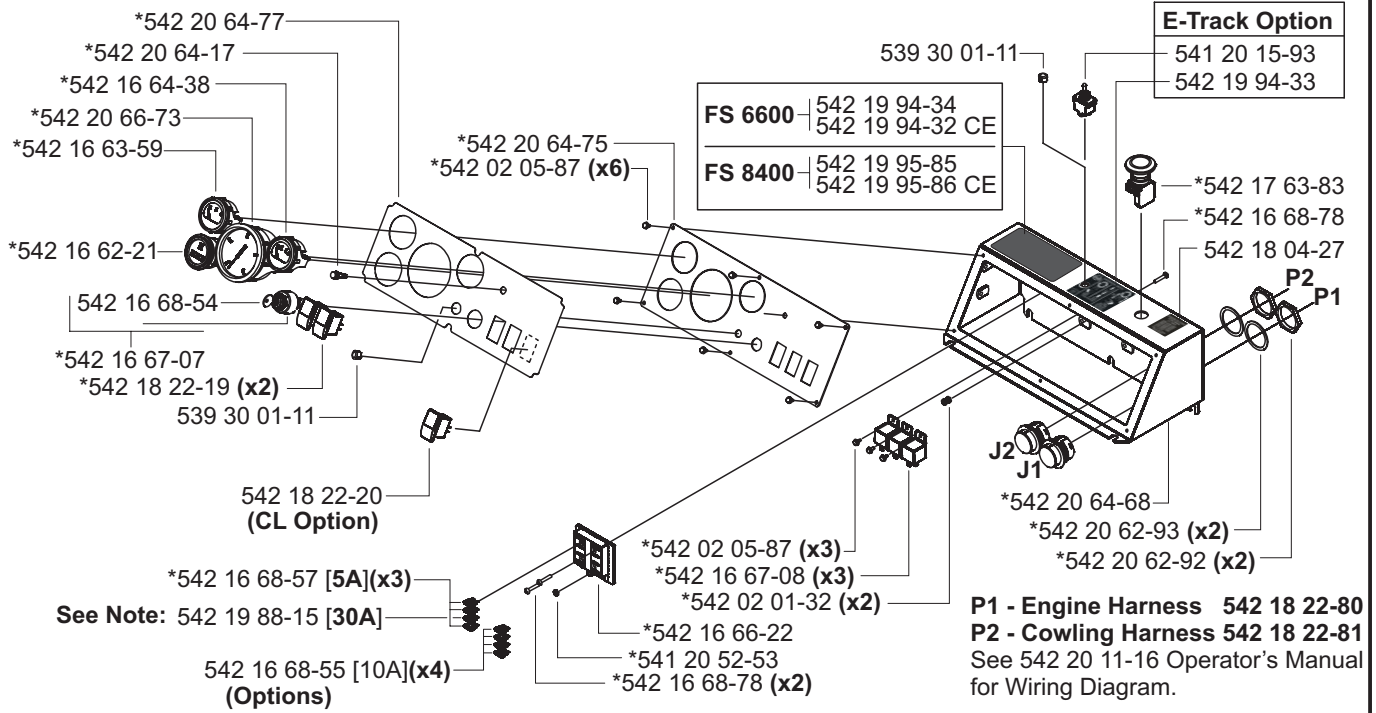
# E Instrument Panel - Husqvarna Gray

\*Compl Gray 542 20 64-72

**Note:** 542 20 64-72 Panel comes with four (4) 5 Amp fuses. The third fuse down **MUST** be replaced with a 30 Amp fuse (542 19 88-15) for use on the FS6600 & FS8400.



01.04.07

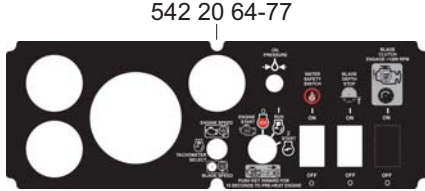


**\*\* FS 6600 \*\***  
542 19 94-34

ENGINE SPEED / BLADE SIZE						
BLADE SIZE	FLANGE SIZE	BLADE SHAFT		ENGINE SPEED		
		LOADED RPM	PULLEY SIZE	LOADED RPM	PULLEY SIZE	MAX RPM
14"	5"	2400	4.12"	2800	4.75"	3000
18"	5"	2400	4.12"	2800	4.75"	3000
26"	5"	1800	4.75"	2800	4.12"	3000
30"	5"	1600	4.75"	2800	3.65"	3000
36"	6"	1350	5.60"	2800	3.65"	3000
42"	7"	1180	6.4"	2800	3.65"	3000

**\*\* FS 8400 \*\***  
542 19 95-85

ENGINE SPEED / BLADE SIZE						
BLADE SIZE	FLANGE SIZE	BLADE SHAFT		ENGINE SPEED		
		LOADED RPM	PULLEY SIZE	LOADED RPM	PULLEY SIZE	MAX RPM
18"	6"	2400	4.12"	2800	4.75"	3000
26"	6"	1800	4.75"	2800	4.12"	3000
30"	6"	1600	4.75"	2800	3.65"	3000
36"	6"	1350	5.60"	2800	3.65"	3000
48"	8"	1080	6.9"	2800	3.65"	3000
60"	10"	810	9.3"	2800	3.65"	3000



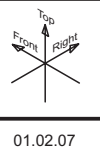
542 19 94-32 CE

ENGINE SPEED / BLADE SIZE					
BLADE SIZE	FLANGE SIZE	BLADE SHAFT		ENGINE SPEED	
		LOADED RPM	PULLEY SIZE	LOADED RPM	PULLEY SIZE
450 mm	127 mm	105 mm	2400	400 - 450 mm	121 mm
550 mm	127 mm	120 mm	1800	600 - 650 mm	105 mm
750 mm	127 mm	150 mm	1800	750 - 750 mm	93 mm
900 mm	152 mm	142 mm	1350	750 - 900 mm	93 mm
1050 mm	178 mm	163 mm	1180	1000 - 1050 mm	93 mm

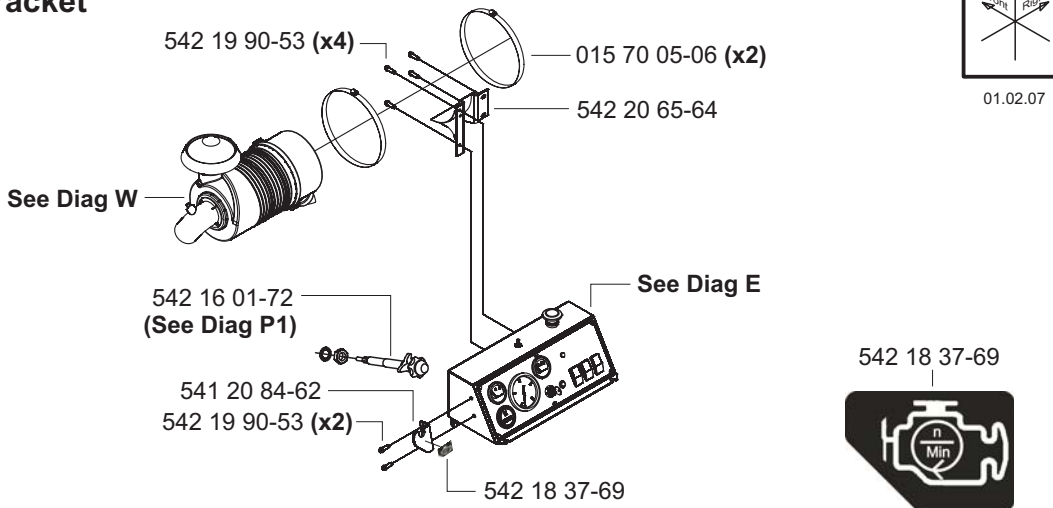
542 19 95-86 CE

ENGINE SPEED / BLADE SIZE					
BLADE SIZE	FLANGE SIZE	BLADE SHAFT		ENGINE SPEED	
		LOADED RPM	PULLEY SIZE	LOADED RPM	PULLEY SIZE
450 mm	127 mm	105 mm	2400	400 - 450 mm	121 mm
550 mm	127 mm	120 mm	1800	500 - 650 mm	105 mm
750 mm	127 mm	120 mm	1800	750 - 750 mm	93 mm
900 mm	152 mm	142 mm	1350	750 - 900 mm	93 mm
1200 mm	203 mm	175 mm	1080	1000 - 1200 mm	93 mm
1500 mm	250 mm	235 mm	810	1250 - 1500 mm	93 mm

## Air Cleaner Bracket

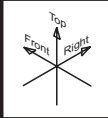


01.02.07

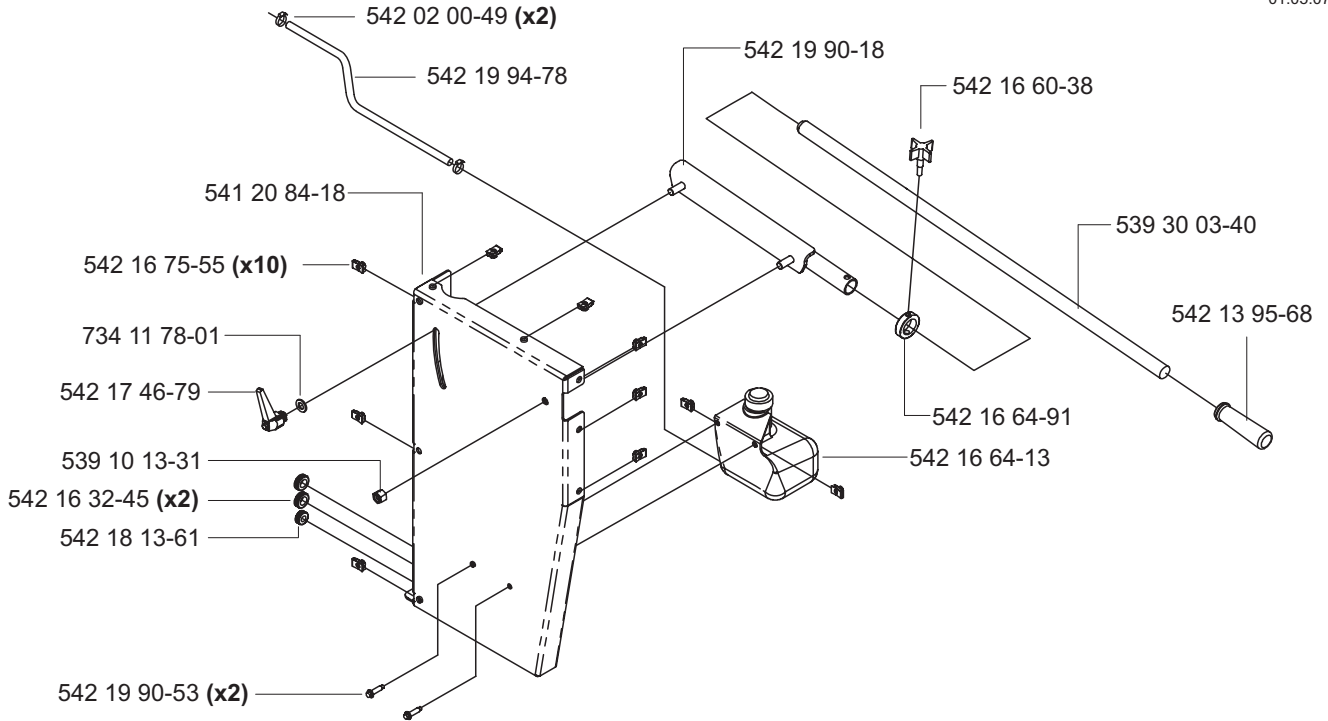


# F Cowling Side - L.H.

See Diag A

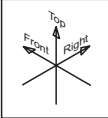


01.05.07

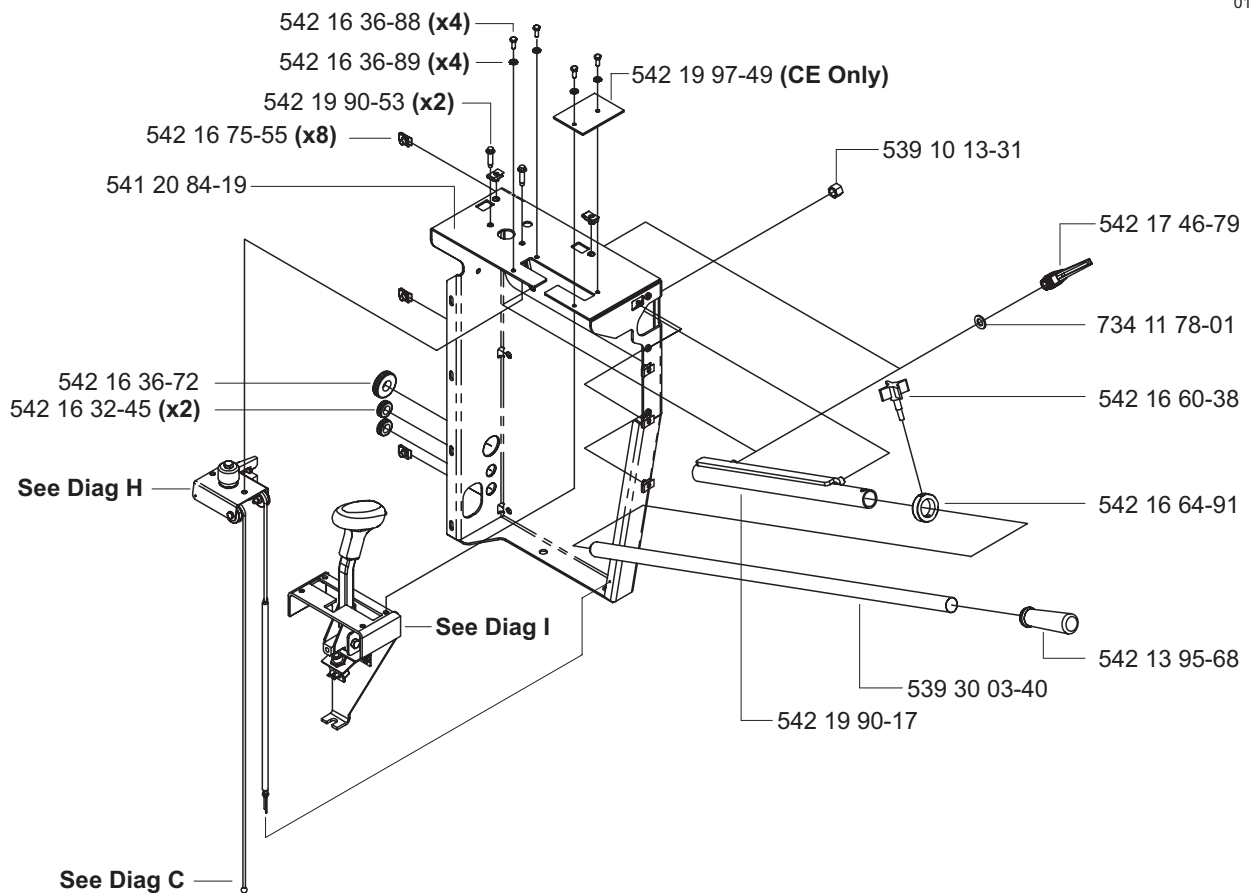


# G Cowling Side - R.H.

See Diag A



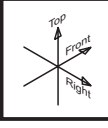
01.05.07



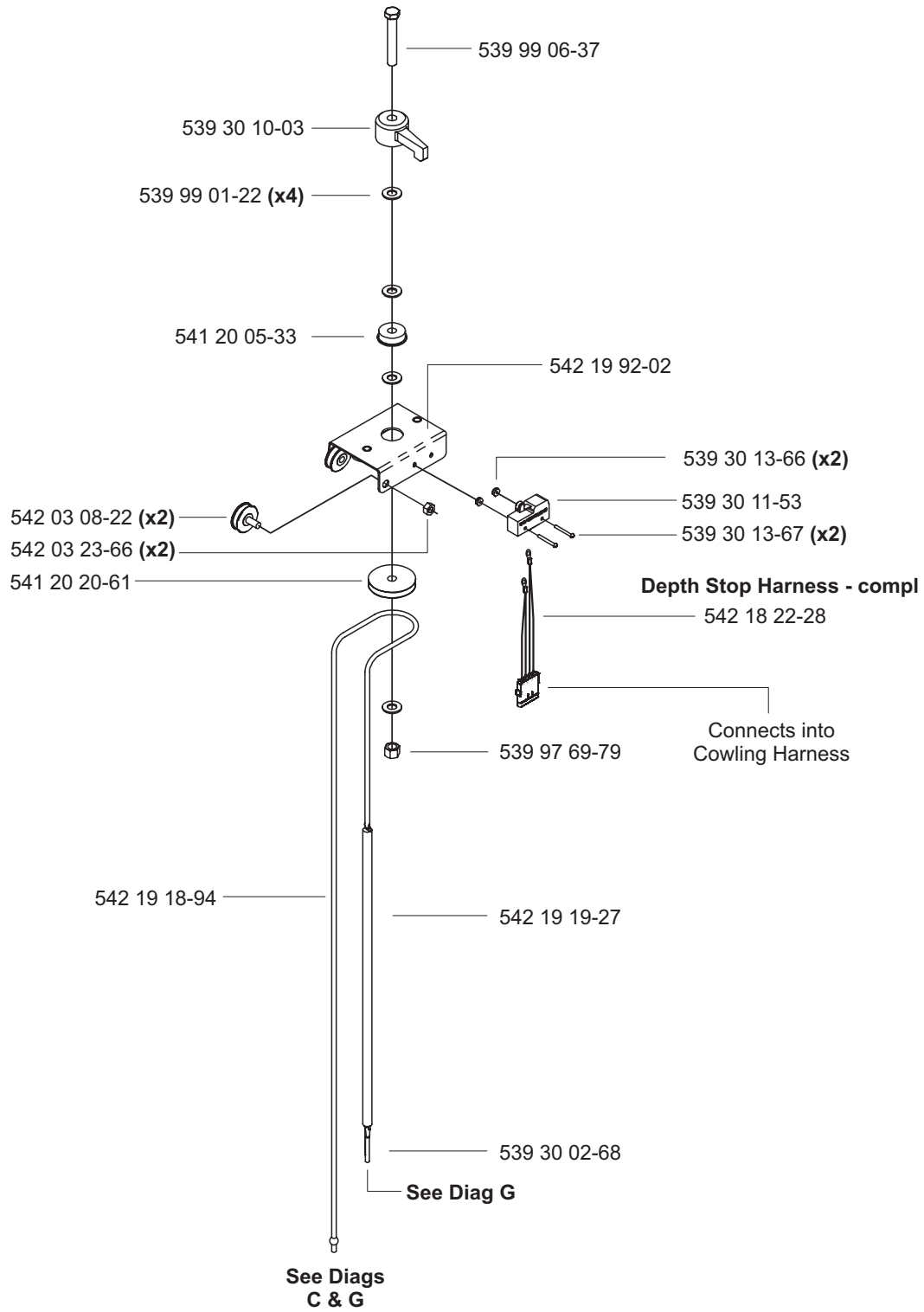


# H Depth Indicator

See Diag H



01.05.07



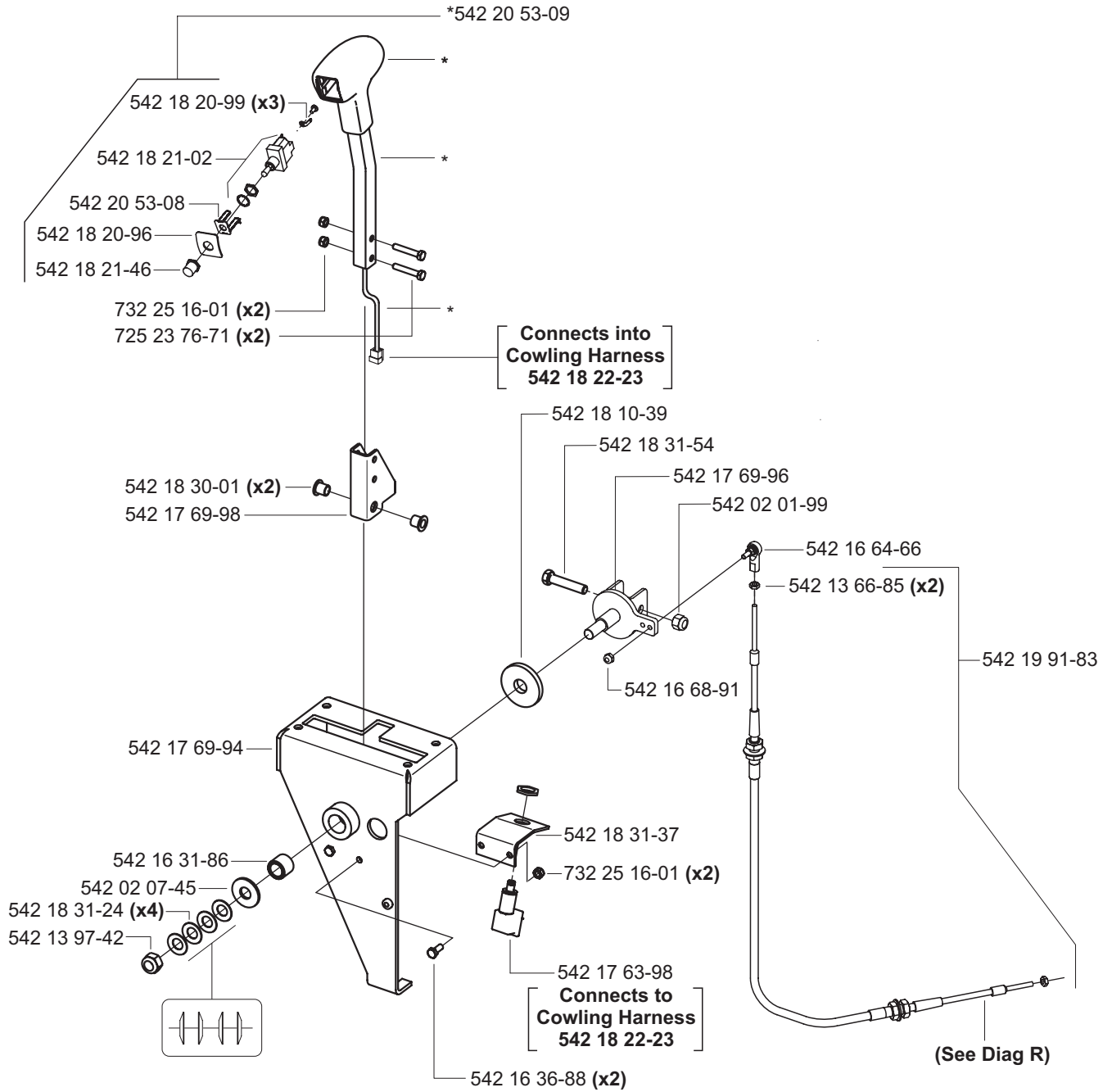
# Speed Control

Speed Control - compl. 542 19 94-51

\*Handle & Switch - compl. 542 19 92-22



01.05.07



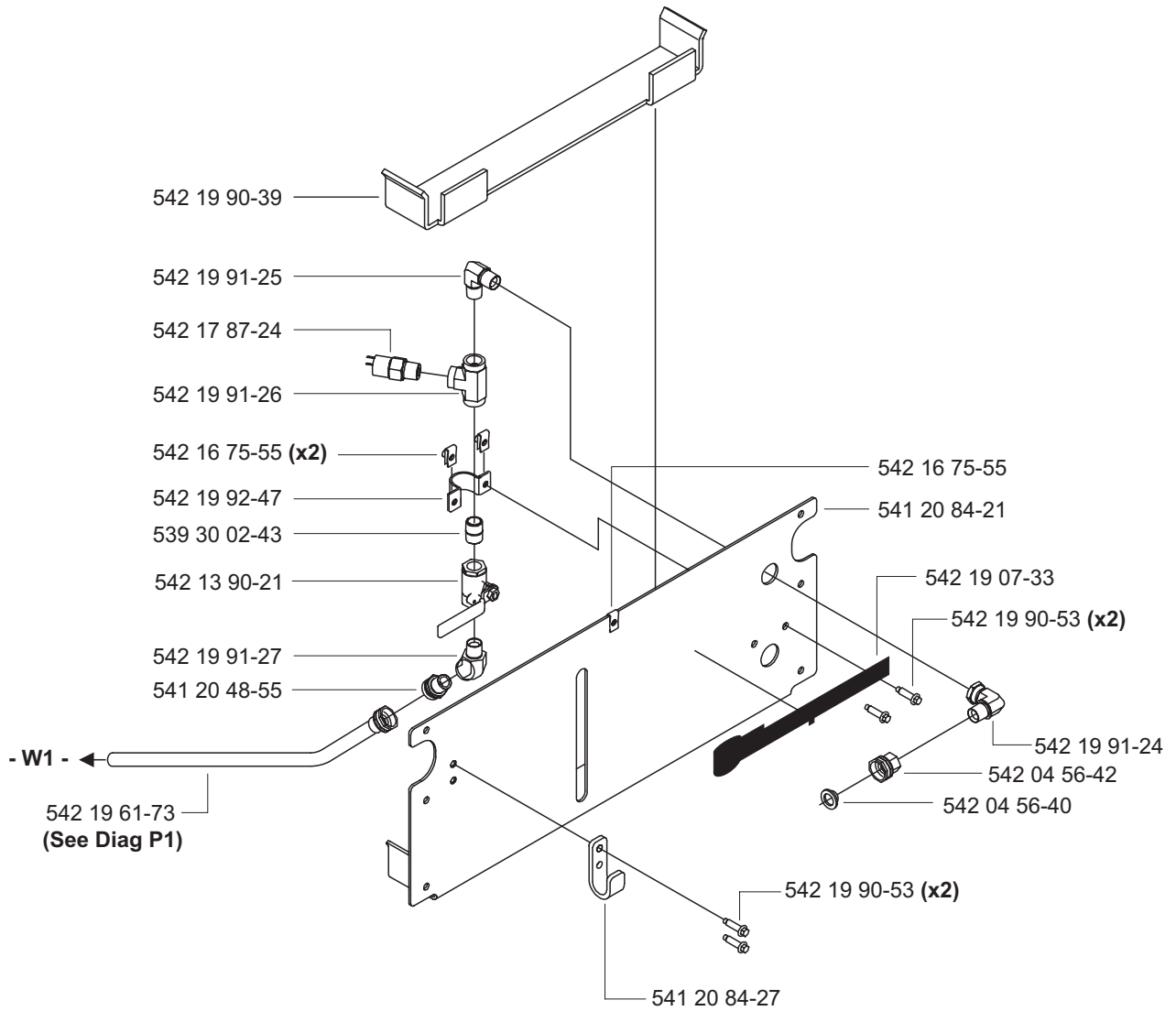


# J Rear Cowling

See Diag D



01.09.07



542 19 07-33

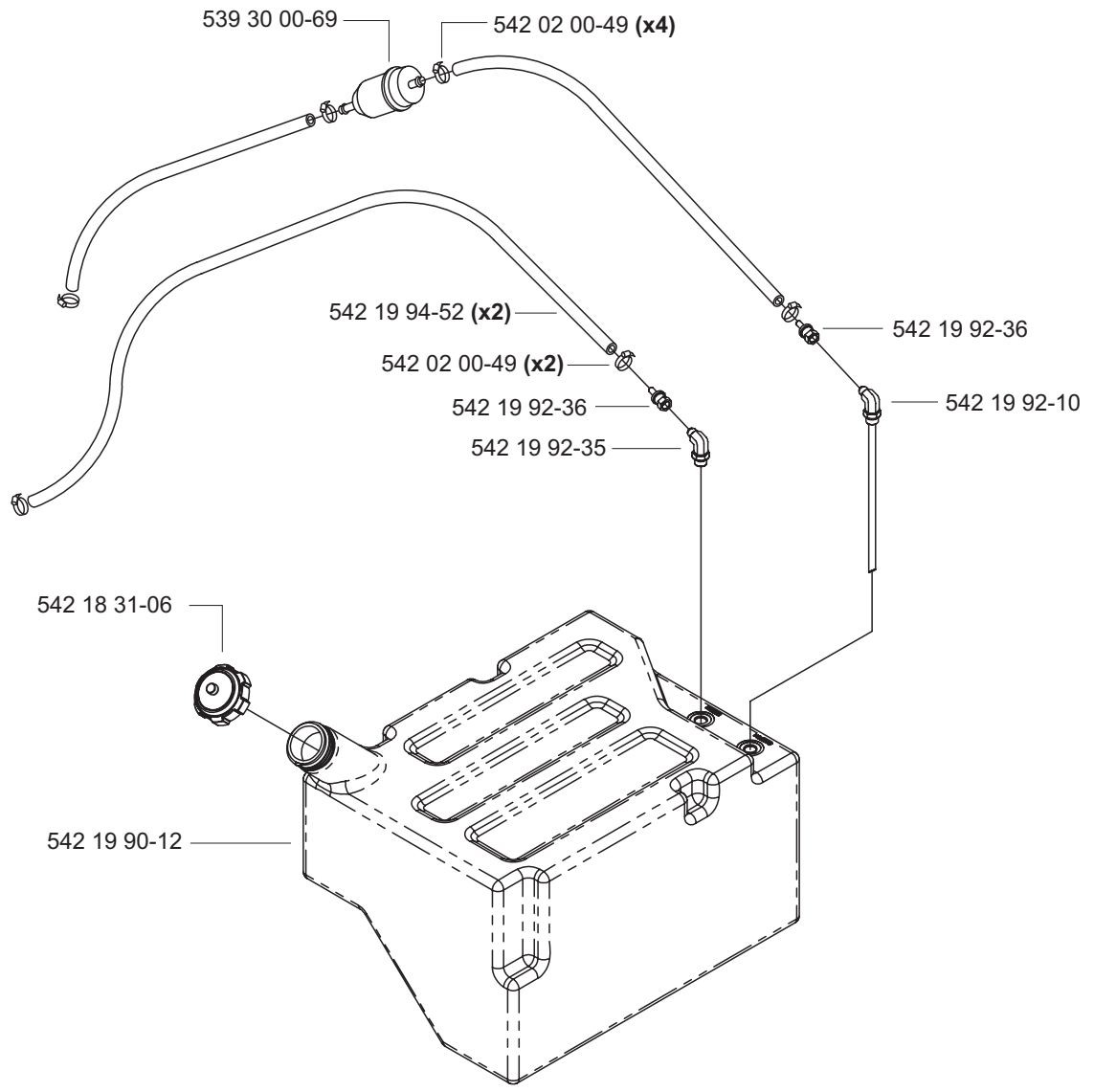


# K Fuel Tank

See Diag D

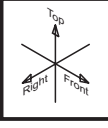


01.09.07

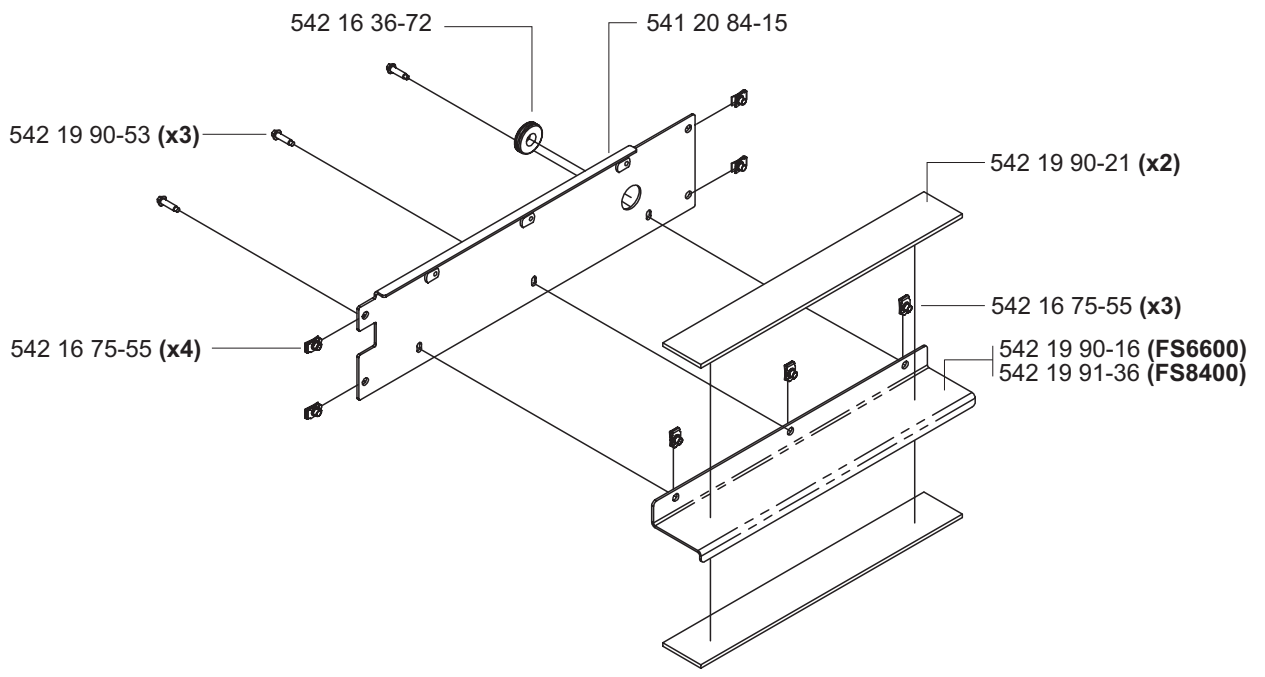


# L Front Cowling

See Diag D

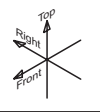


01.09.07



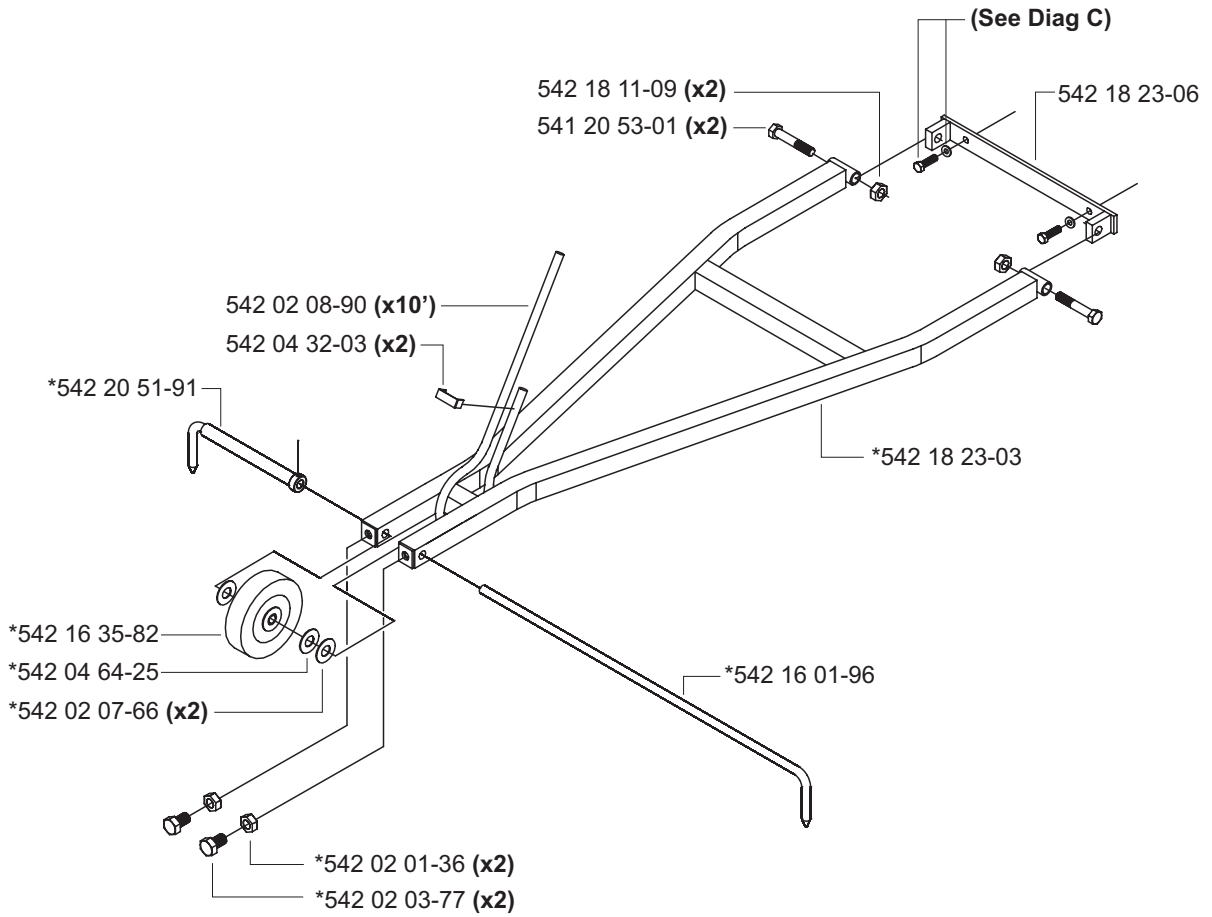
# M Front Pointer

See Diag C



01.09.07

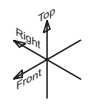
\* 542 18 33-96 Front Pointer - Compl



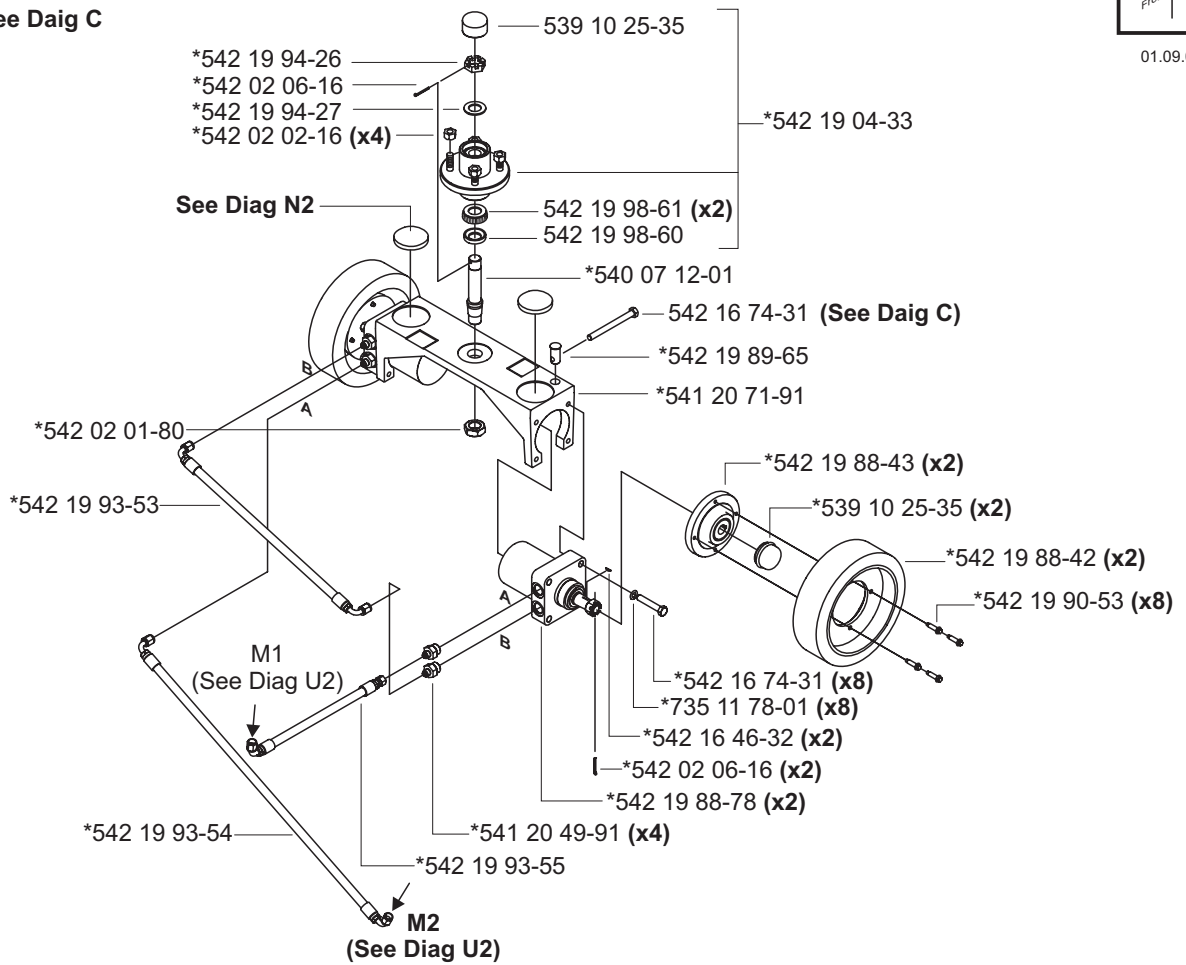
# N1 Rear Axle - Manual

See Daig C

\*542 19 95-55 Rear Axle - Compl



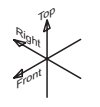
01.09.07



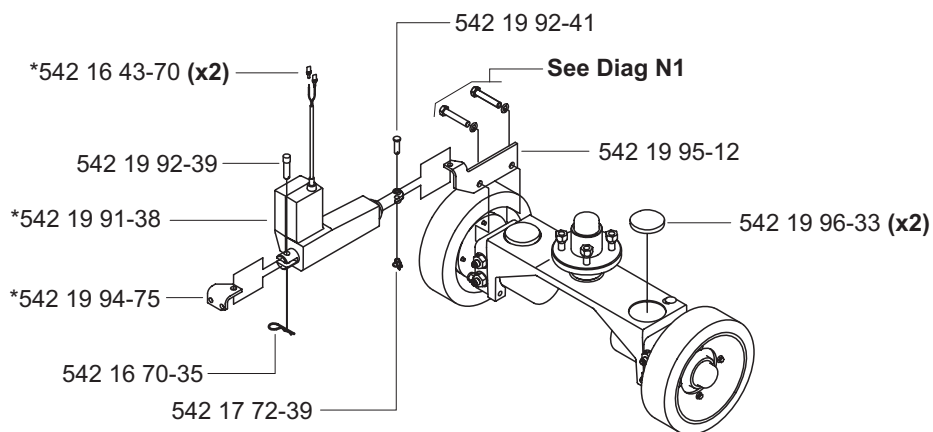
# N2 Rear Axle - E-Track

See Daig C

\*542 19 94-94 Actuator - Compl

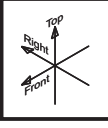


01.09.07

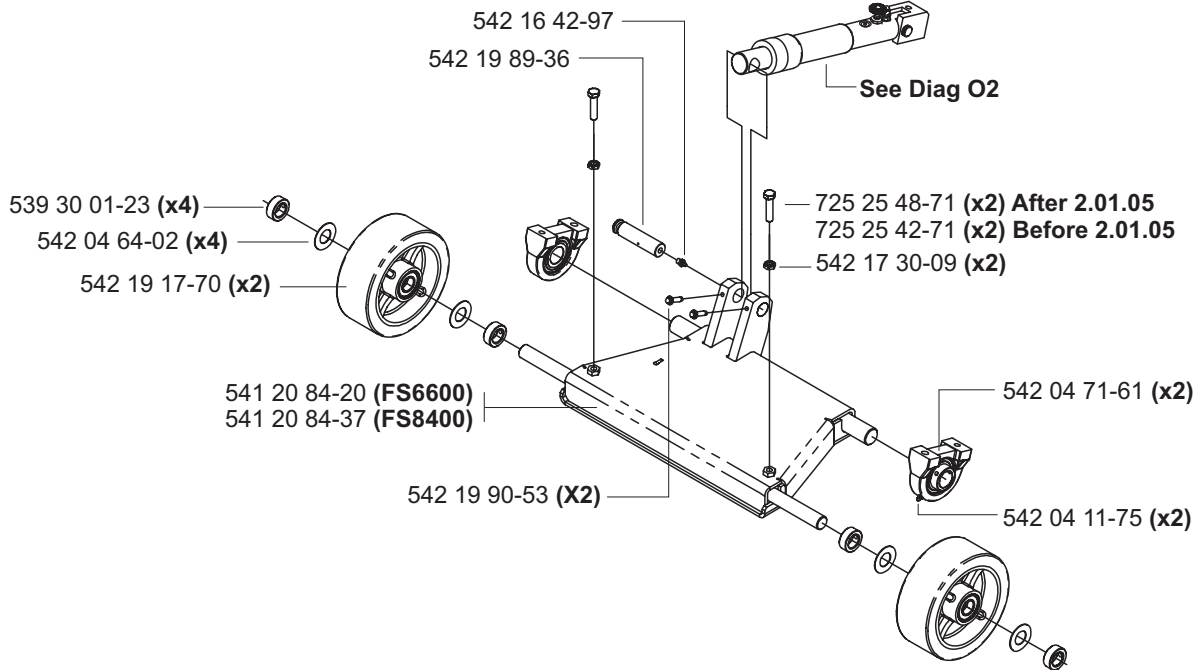


# O1 Front Axle

See Diag C



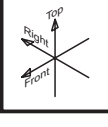
01.09.07



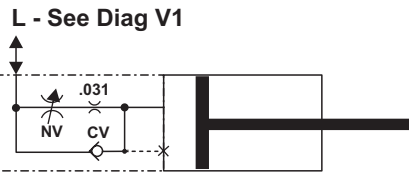
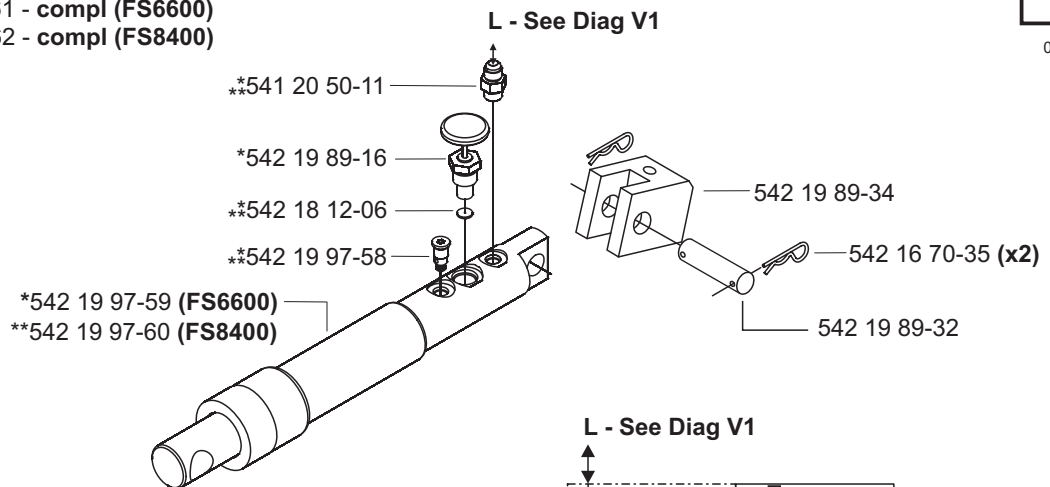
# O2 Hydraulic Lift Cylinder

\*542 19 97-61 - compl (FS6600)

\*\*542 19 97-62 - compl (FS8400)



01.09.07



**HYDRAULIC SCHEMATIC**  
(See Operators Manual)

# P1 Engine, Fan & Gearbox

## \*\* 1-Speed \*\*

\*542 19 94-01 Engine - compl (FS6600)

\*\*542 19 95-53 Engine - compl (FS8400)

### Engine Service Parts (Not Shown)

\*542 19 89-62 Engine JD 4-cyl

\*\*542 19 95-53 Engine JD 5-cyl w/ Flywhl CL Mod

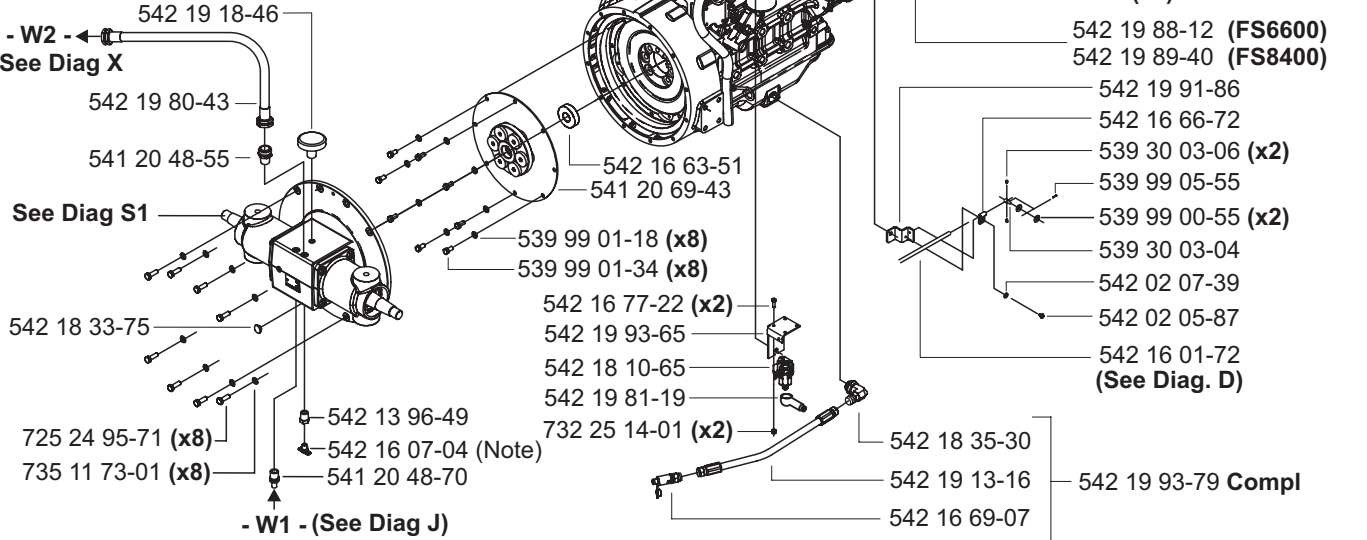
\*542 19 89-42 Flywheel - Mod

\*542 19 89-00 Capscrews, Flywhl (x6)

\* \*\*542 19 96-56 Starter, JD 12VDC

\* \*\*542 19 94-60 Filter, Oil

\* \*\*542 19 94-61 Element, Fuel Filter

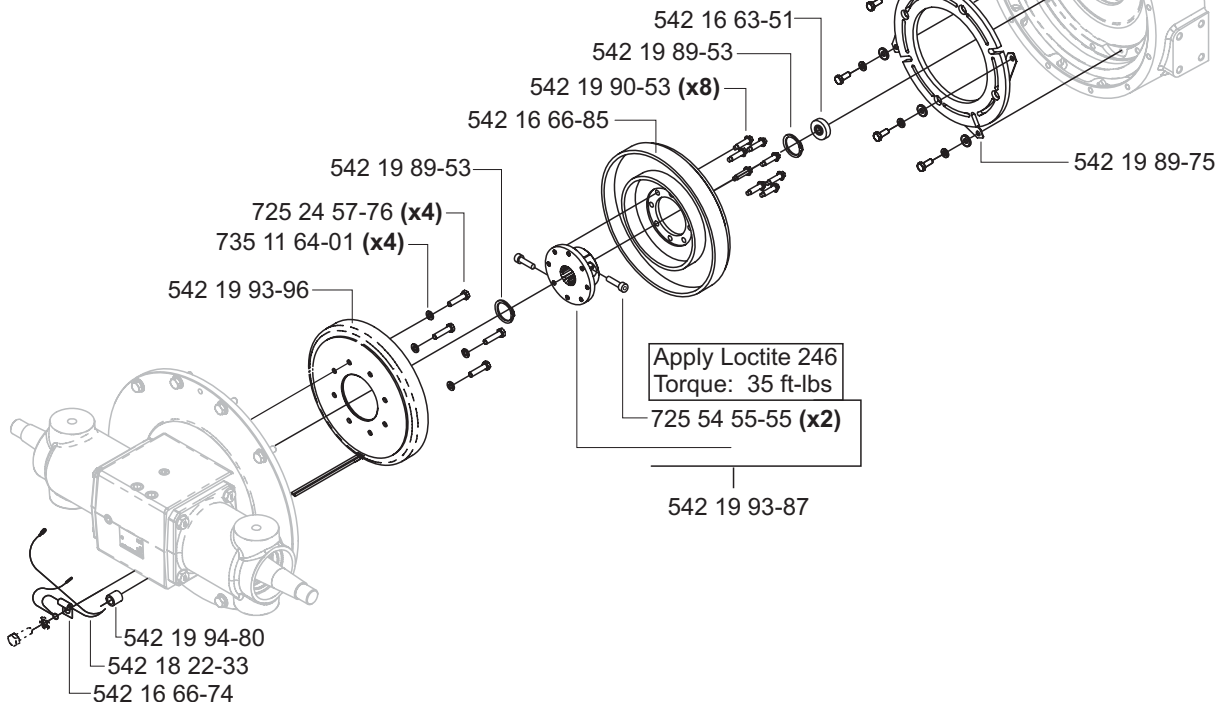


NOTE: Drain water when Temperature below 32°F (0°C).

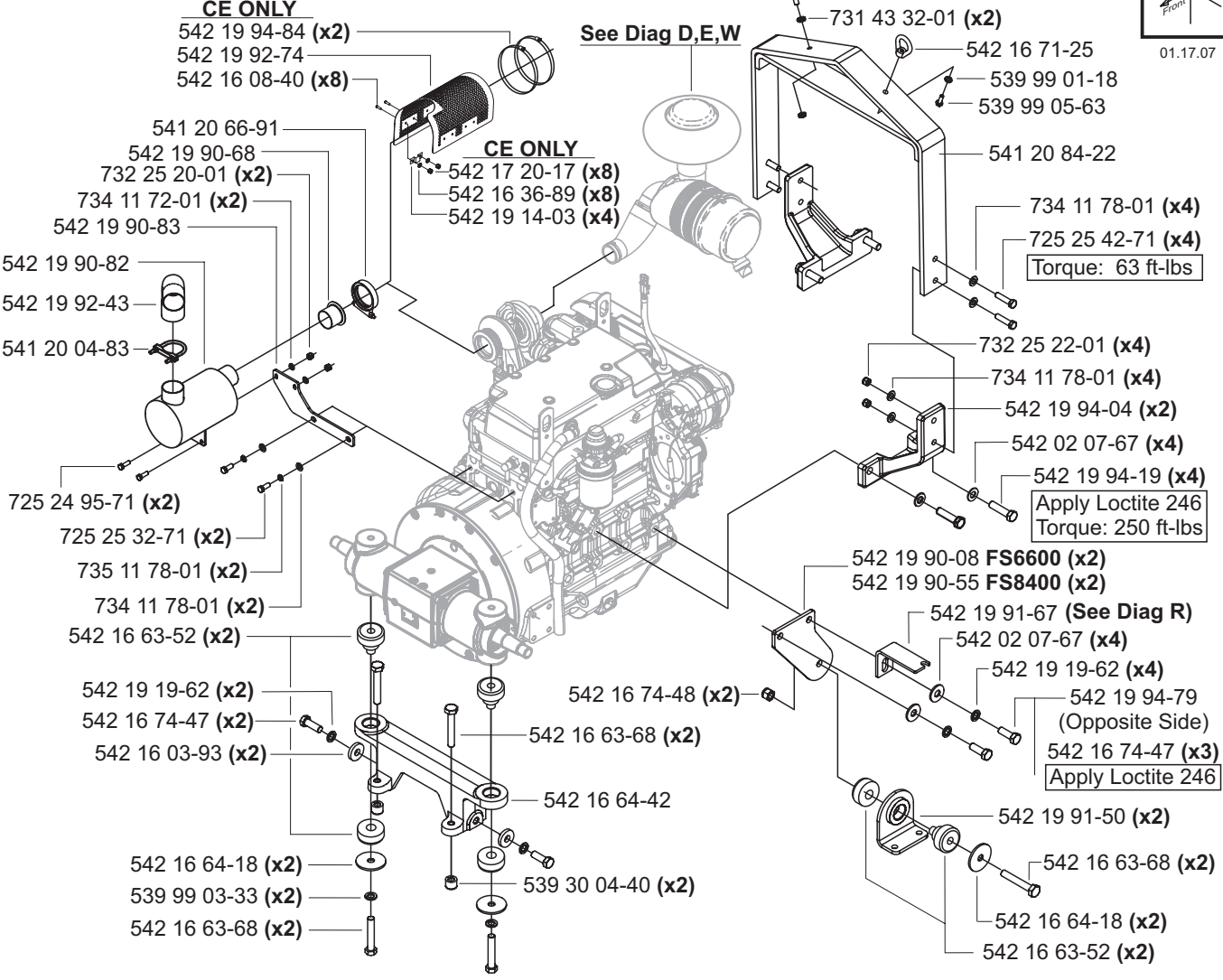
# P2 Engine Gearbox - Clutch

## \*\* 1-Speed \*\*

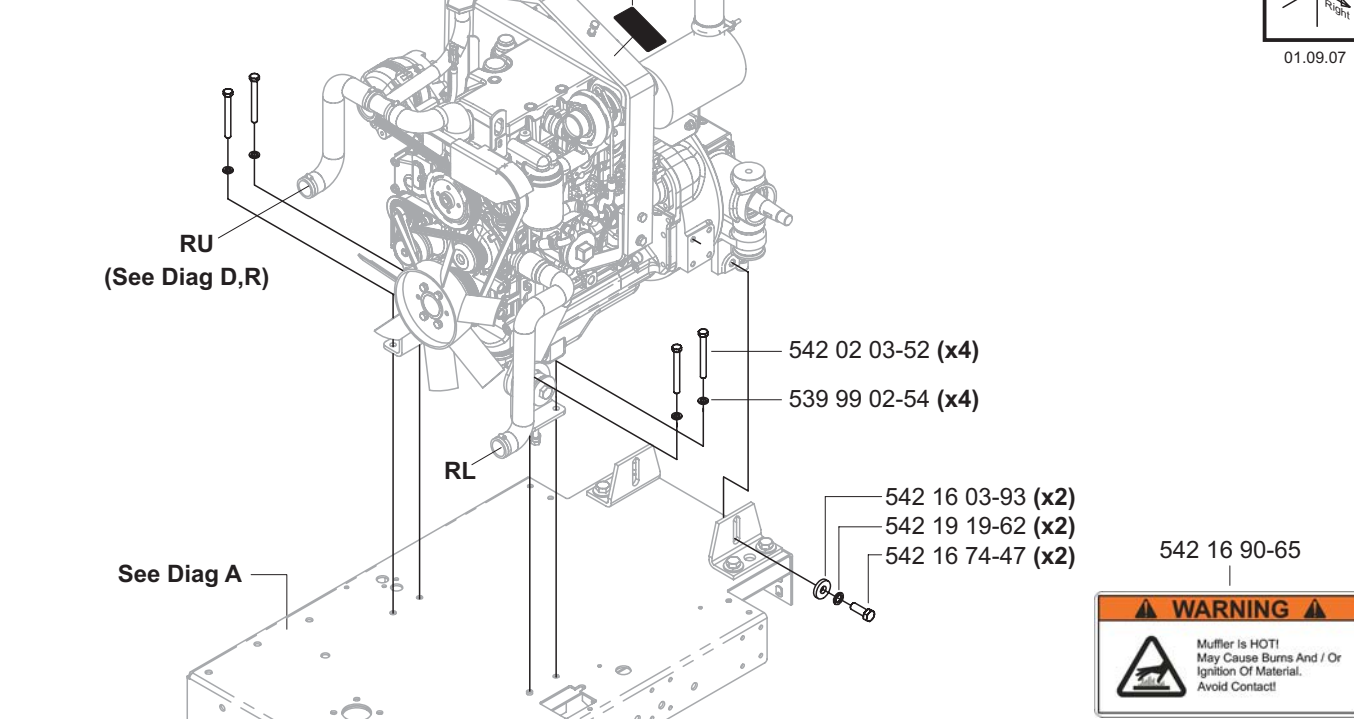
734 11 63-01 (x4)  
735 11 64-01 (x4)  
542 19 19-96 (x4)  
Torque: 28 ft-lbs



# Q1 Engine Mounting, Lift Bail & Muffler



# Q2 Engine Mounting

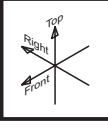


**WARNING**

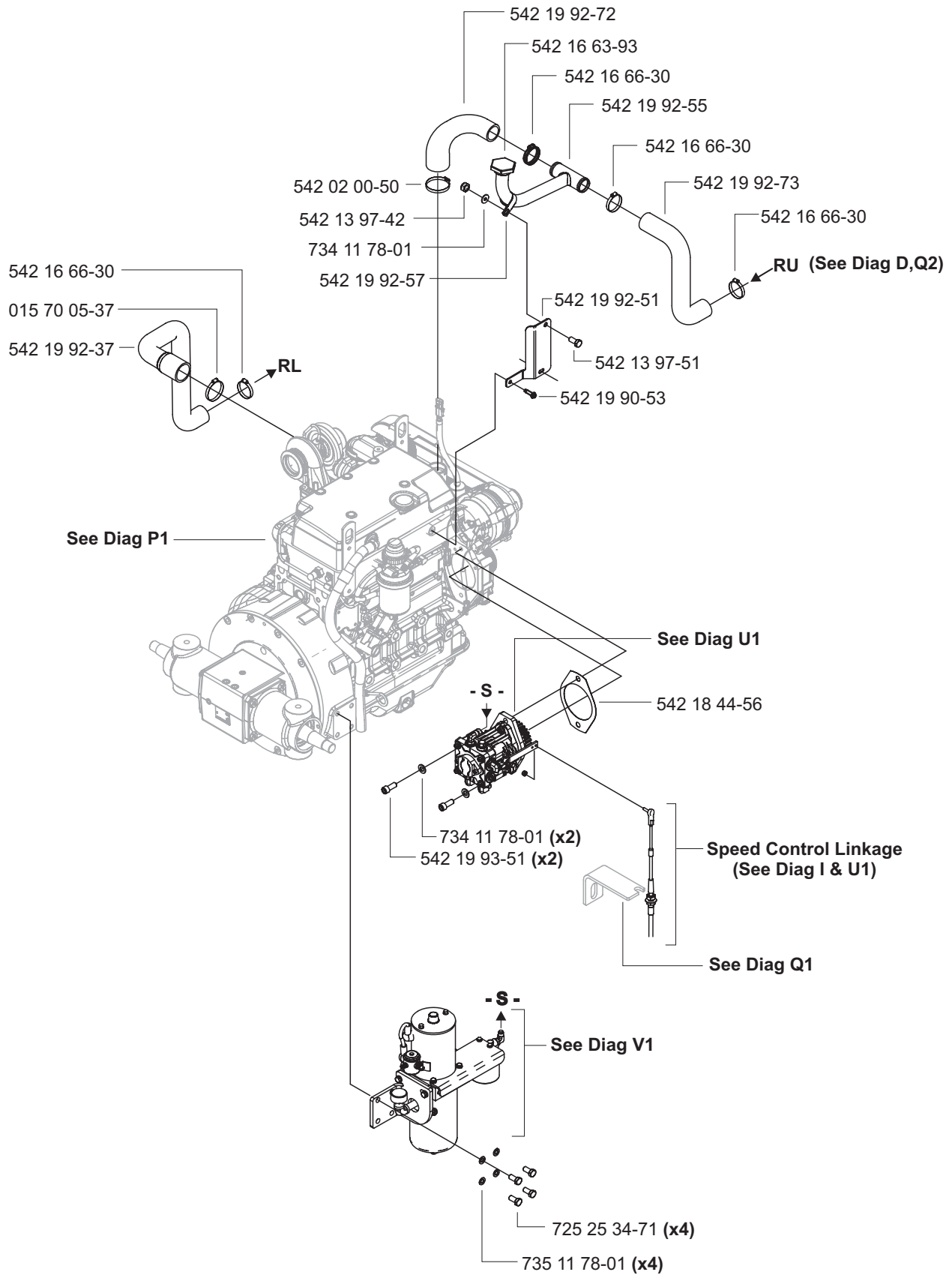
Muffler is HOT!  
May Cause Burns And / Or  
Ignition Of Material.  
Avoid Contact!



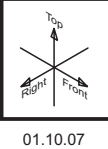
# R Engine Cooling & Pumps



01.10.07



# S Gearbox-Blade Shaft



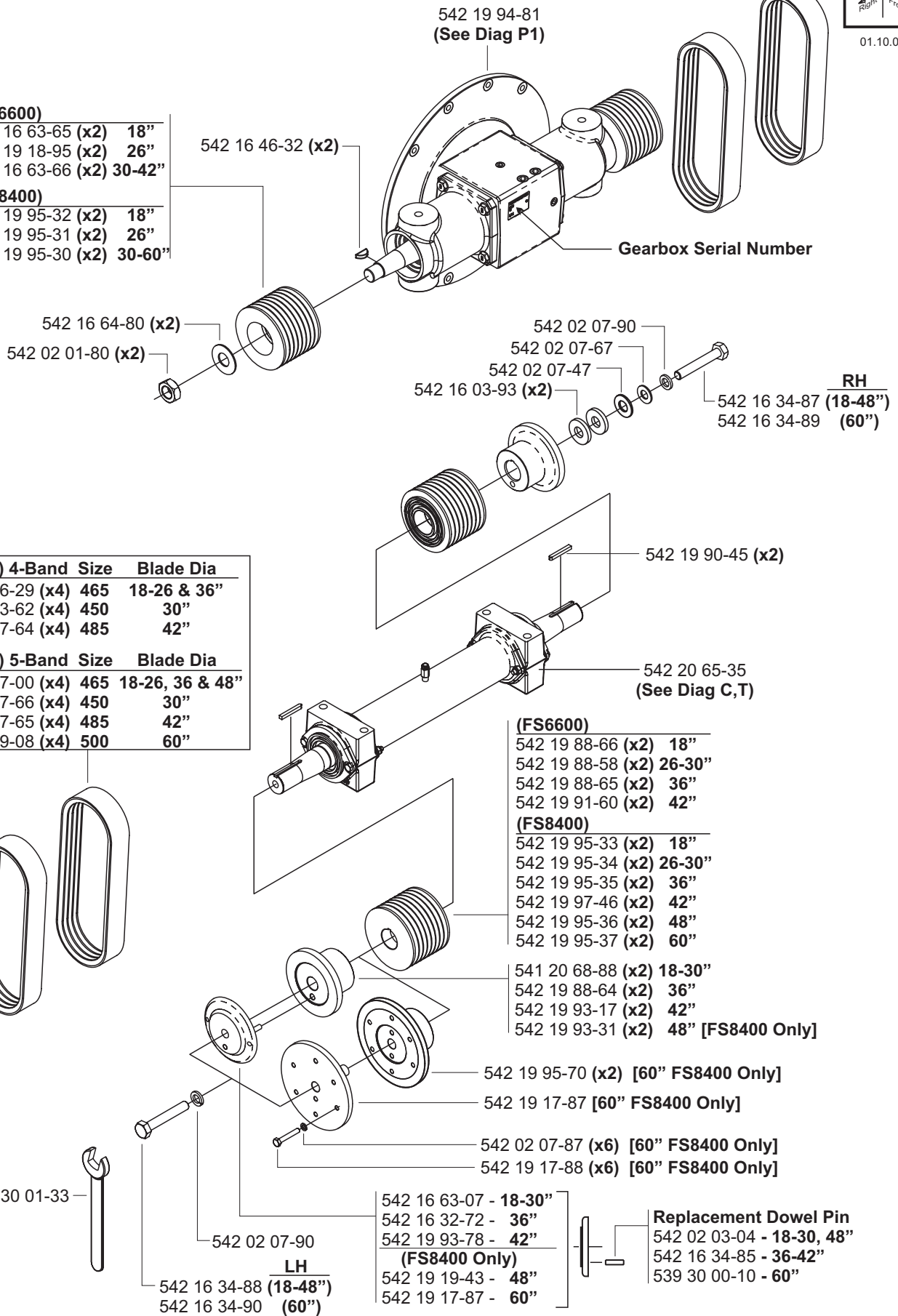
01.10.07

**(FS6600)**

- 542 16 63-65 (x2) 18"
- 542 19 18-95 (x2) 26"
- 542 16 63-66 (x2) 30-42"

**(FS8400)**

- 542 19 95-32 (x2) 18"
- 542 19 95-31 (x2) 26"
- 542 19 95-30 (x2) 30-60"



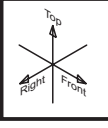
<b>(FS6600) 4-Band Size</b>		<b>Blade Dia</b>
542 16 66-29 (x4)	465	18-26 & 36"
542 16 63-62 (x4)	450	30"
542 19 97-64 (x4)	485	42"

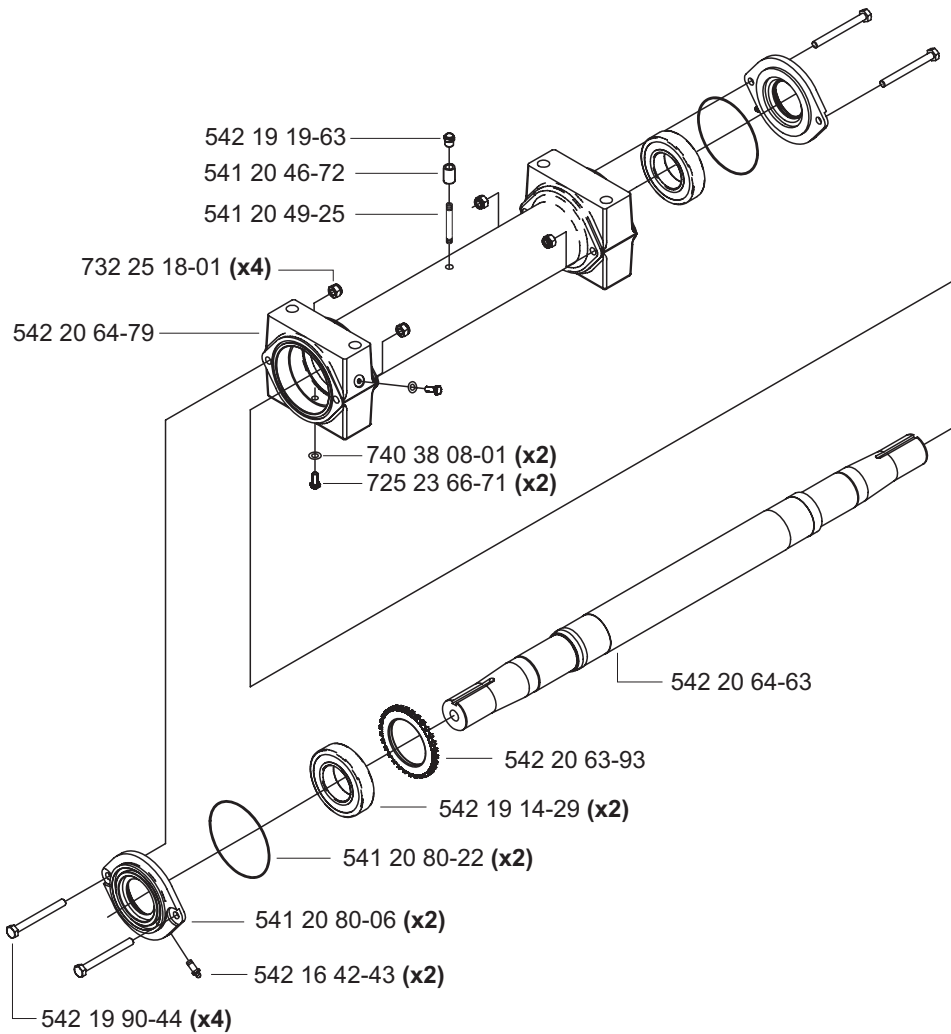
<b>(FS8400) 5-Band Size</b>		<b>Blade Dia</b>
542 19 97-00 (x4)	465	18-26, 36 & 48"
542 19 97-66 (x4)	450	30"
542 19 97-65 (x4)	485	42"
541 20 19-08 (x4)	500	60"

# T Blade Shaft Tube

542 20 65-35 - Compl



01.10.07



## Blade Shaft Assemblies - Compl with: Pulleys, Flanges & Mounting Fasteners

01.10.07

### FS6600

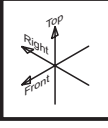
Assy No	Blade	Pulley (x2)	Inner Flange	Outer Flange	Dia
542 19 94-66	18"	542 19 88-66	541 20 68-88	542 16 63-07	5"
542 19 94-67	26/30"	542 19 88-58	541 20 68-88	542 16 63-07	5"
542 19 94-69	36"	542 19 88-65	542 19 88-64	542 16 32-72	6"
542 19 94-70	42"	542 19 91-60	542 19 93-17	542 19 93-78	7"

### FS8400

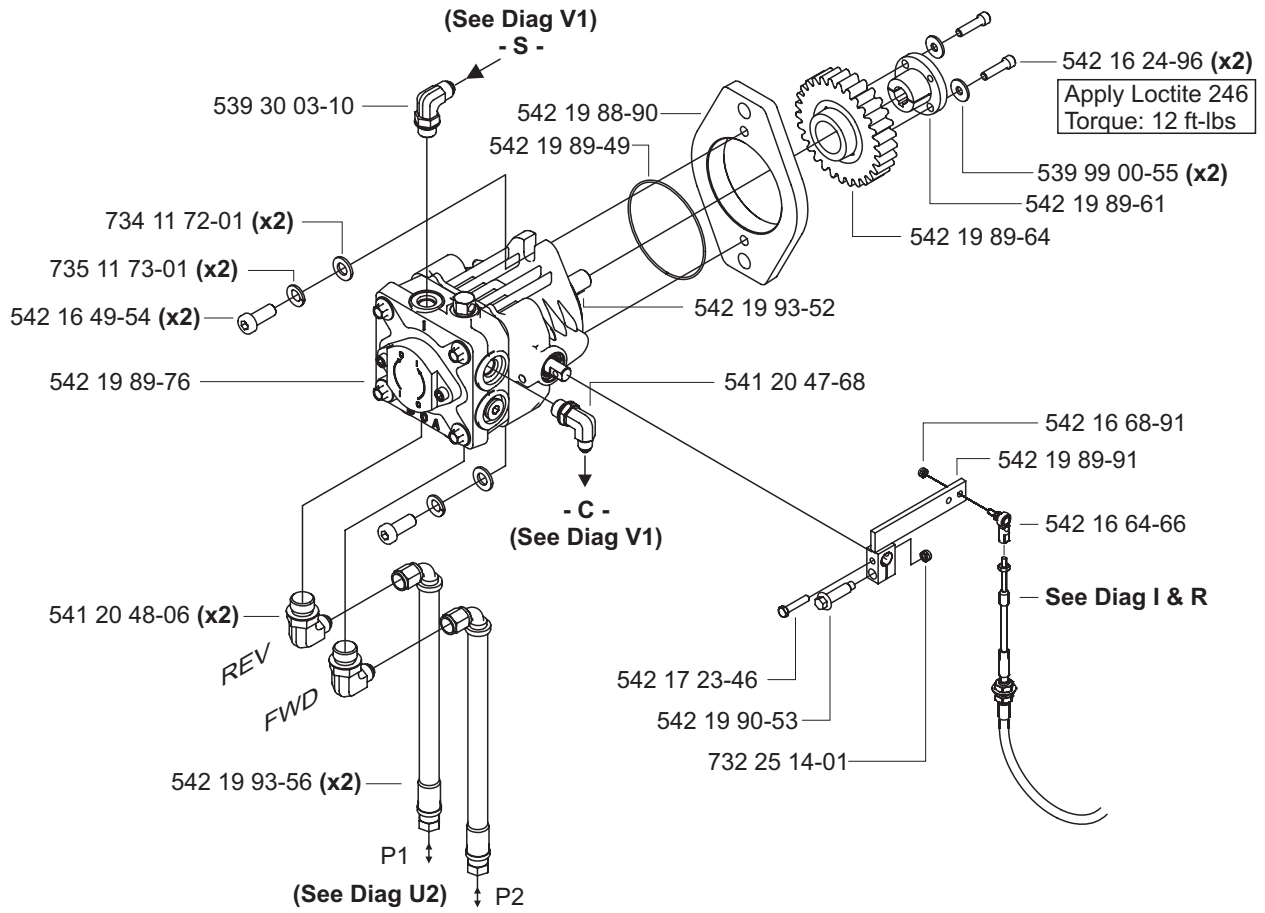
Assy No	Blade	Pulley (x2)	Inner Flange	Outer Flange	Dia
542 19 95-80	18"	542 19 95-33	541 20 68-88	542 16 63-07	5"
542 19 95-81	26/30"	542 19 95-34	541 20 68-88	542 16 63-07	5"
542 19 95-82	36"	542 19 95-35	542 19 88-64	542 16 32-72	6"
542 19 97-42	42"	542 19 97-46	542 19 93-17	542 19 93-78	7"
542 19 95-83	48"	542 19 95-36	542 19 93-31	542 19 19-43	8"
542 19 95-84	60"	542 19 95-37	542 19 95-70	542 19 17-87	10"

# U1 Hydraulic Drive Pump

See Diag R



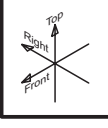
01.10.07



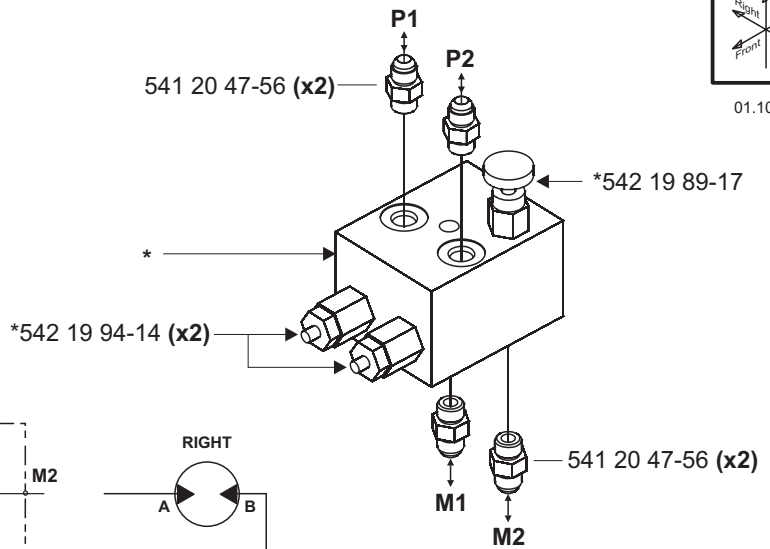
# U2 Bypass Valve Manifold

See Diag A

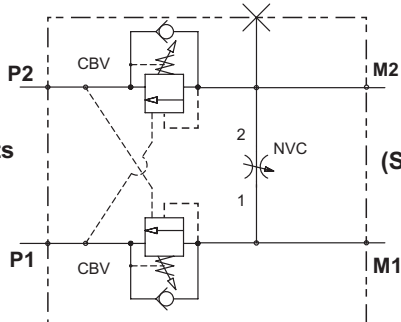
\*542 19 89-15 Valve - Compl



01.10.07

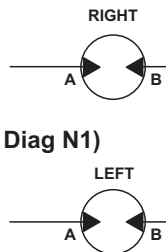


To Pump Outlets  
(See Diag U1)

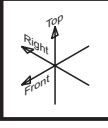


HYDRAULIC SCHEMATIC  
(See Operators Manual)

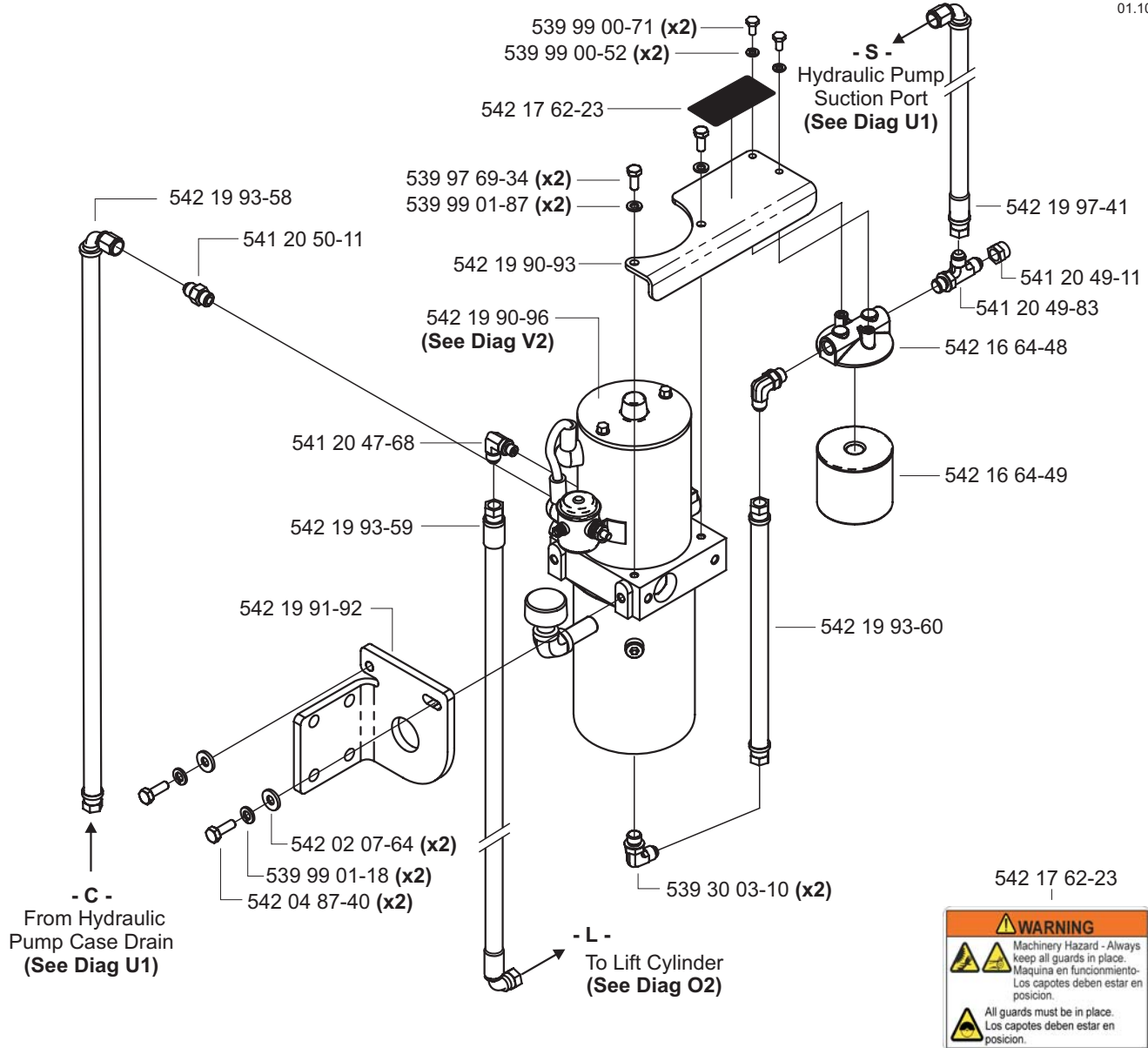
(See Diag N1)



# V1 Lift Pump & Filter



01.10.07



542 17 62-23

**WARNING**

Machinery Hazard - Always keep all guards in place.  
Maquina en funcionamiento - Los capotes deben estar en posicion.

All guards must be in place.  
Los capotes deben estar en posicion.

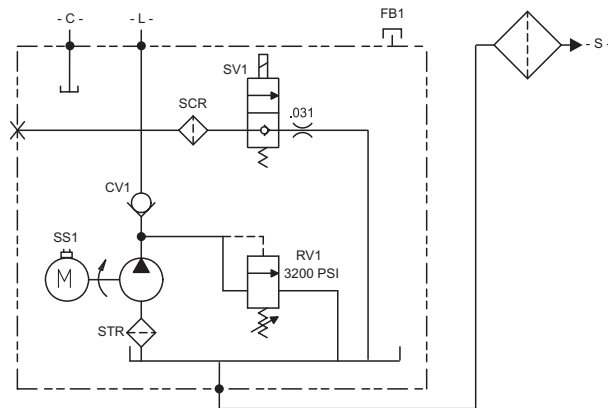
# V2 Lift Pump (Not Shown)

01.10.07

542 19 90-96 - Compl

## Lift Pump Service Parts

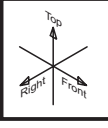
- SS1 - 542 16 61-21 Starter Switch - 12VDC
- RV1 - 542 16 33-21 Valve, Adj. Relief
- CV1 - 542 16 33-19 Valve, Check Cart.
- STR - 542 16 33-26 Strainer, Pump
- FB1 - 542 16 33-24 Cap, Filler-Breather
- SV1 - 542 18 30-06 Valve Cartridge
- " - 542 16 65-94 Coil - 12 VDC
- " - 542 18 00-23 Filter Screen
- " - 542 02 01-77 Nut, Thin Jam
- " - 542 16 33-50 Spring, Valve
- " - 542 16 33-51 Spool Kit



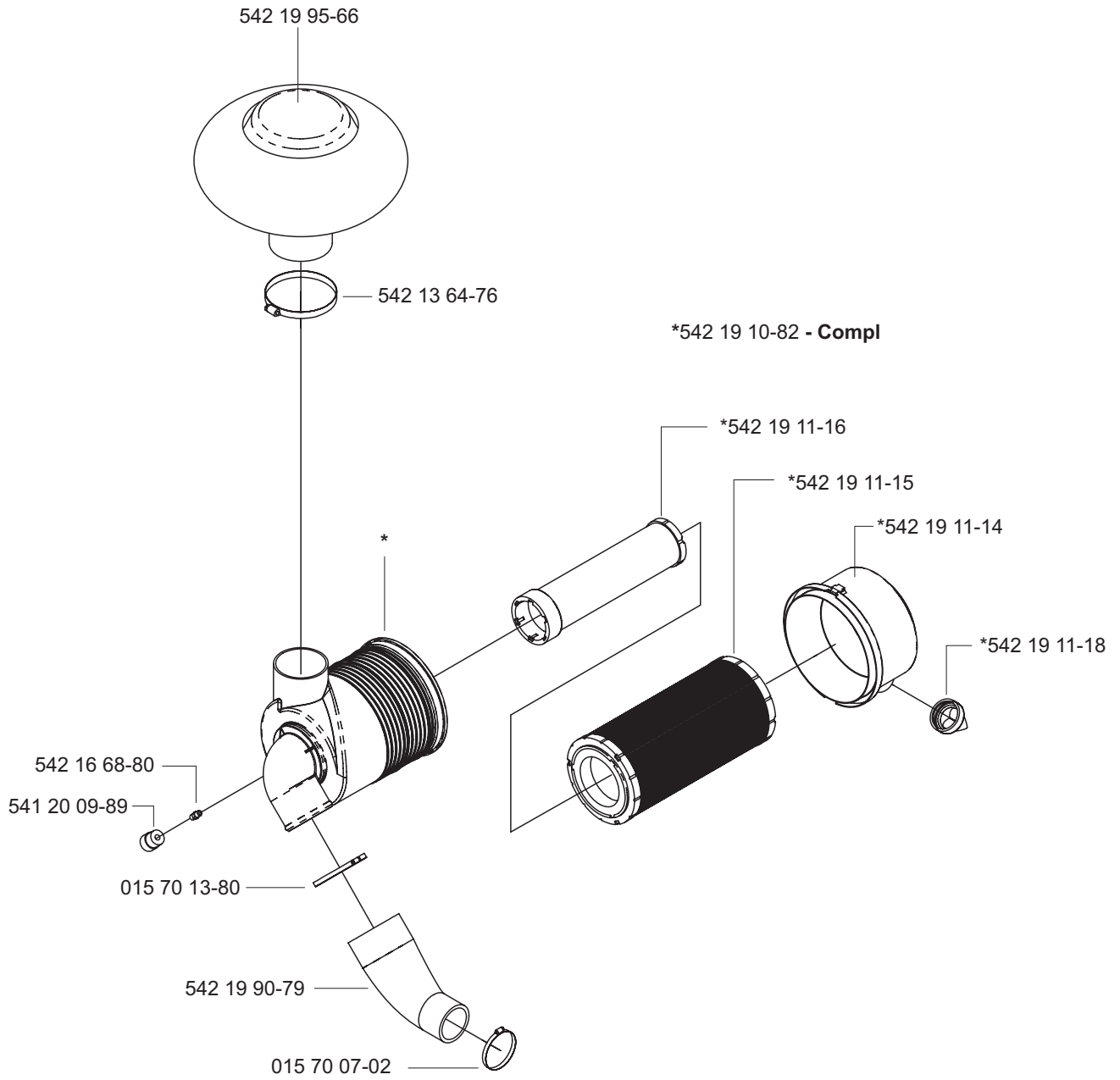
HYDRAULIC SCHEMATIC

# W Air Filter

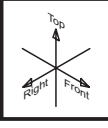
See Diag D, E & Q1



01.10.07



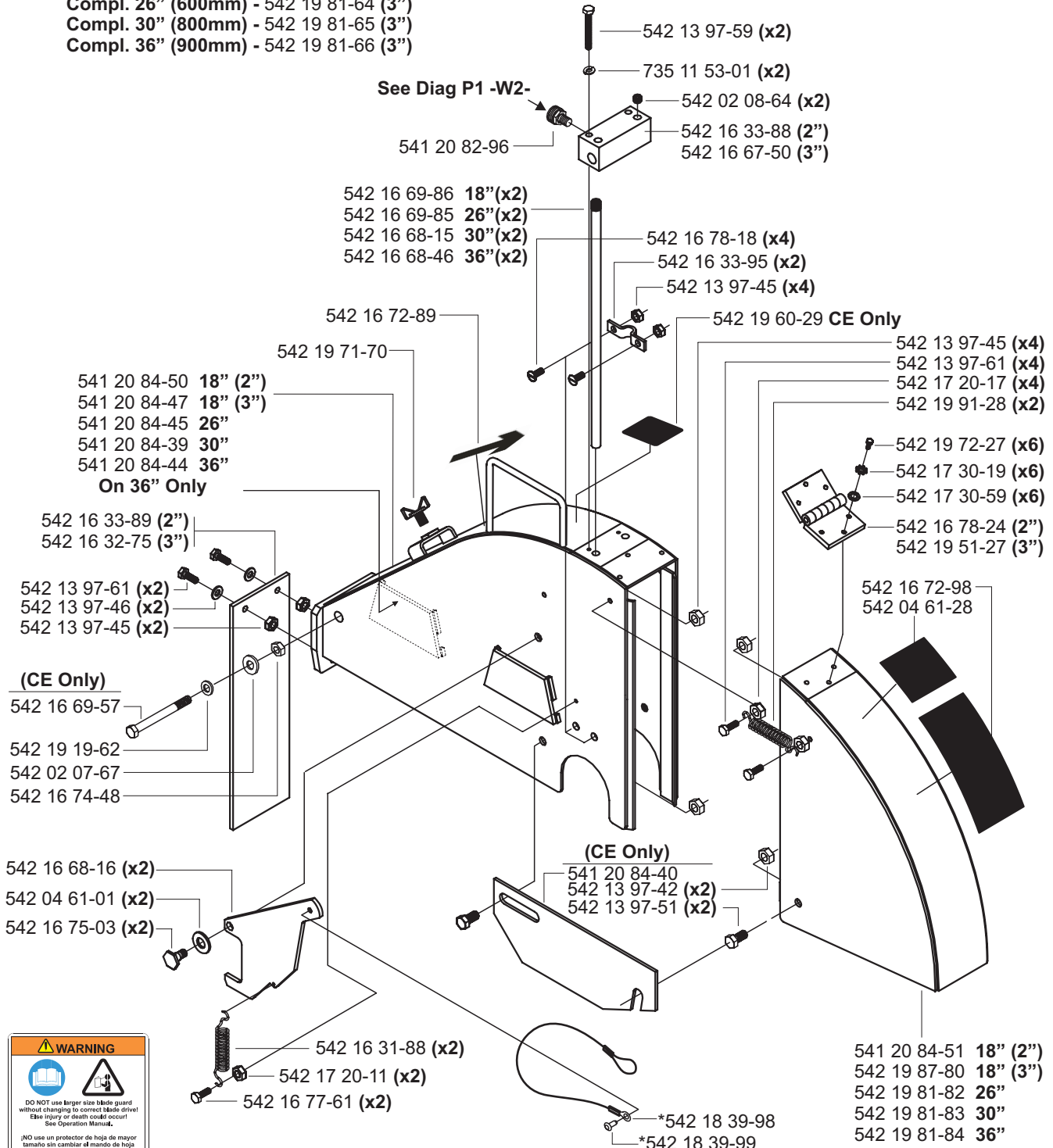
# X1 Blade Guard Assy - Slip-On - Husqvarna Gray



01.10.07

- Compl. 18" (450mm) - 542 19 81-63 (2") Non-CE
- Compl. 18" (450mm) - 542 19 87-78 (3")
- Compl. 26" (600mm) - 542 19 81-64 (3")
- Compl. 30" (800mm) - 542 19 81-65 (3")
- Compl. 36" (900mm) - 542 19 81-66 (3")

See Diag P1 -W2-



**WARNING**

DO NOT use larger size blade guard without changing to correct blade drive! Eye injury or death could occur! See Operator Manual.

(NO use un protector de hoja de mayor tamaño sin cambiar el mando de hoja correcto!)

(De lo contrario se pueden producir lesiones graves o mortales! Ver el manual de operación.)

NE PAS utiliser une protection de disque de plus grande taille sans changer en même temps le courroie d'entraînement! Risque de blessures graves, voire mortelles! Voir le manuel.

Bei Verwendung einer größeren Sägeblattabdeckung MUSS der entsprechende Antrieb installiert werden! Andernfalls besteht Verletzungs- oder Lebensgefahr! Siehe Betriebsanleitung.

Gebruik GEEN grotere bladafdekking zonder de aandrijving aan te passen! Indien dit niet gebeurt, zou dit tot een letsel of de dood kunnen leiden! Zie bedieningshandleiding.

NON usare un riparo del disco di dimensioni più grandi senza cambiare anche la trasmissione del disco nella misura corretta!

In caso contrario, si possono verificare infortuni o morti. Vedere il Manuale d'uso.

ANVÄND INTE ett bladskydd som är större utan att byta till rätt bladdriv!

Det kan orsaka personskada eller död! Se bruksanvisningen.

**WARNING**

DO NOT CHANGE TO A LARGER BLADE GUARD SIZE WITHOUT CHANGING TO PROPER BELT DRIVE, ENGINE SPEED AND BLADE FLANGES. FAILURE TO COMPLY COULD RESULT IN DEATH OR SERIOUS BODILY INJURY. SEE OPERATOR'S MANUAL FOR INSTRUCTIONS. IF YOU DO NOT HAVE AN OPERATOR'S MANUAL, CALL TOLL FREE 1-800-288-5040



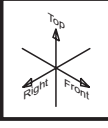
\*Latch Kit - 542 19 11-42 (x2)  
(Standard on: 26", 30" & 36")



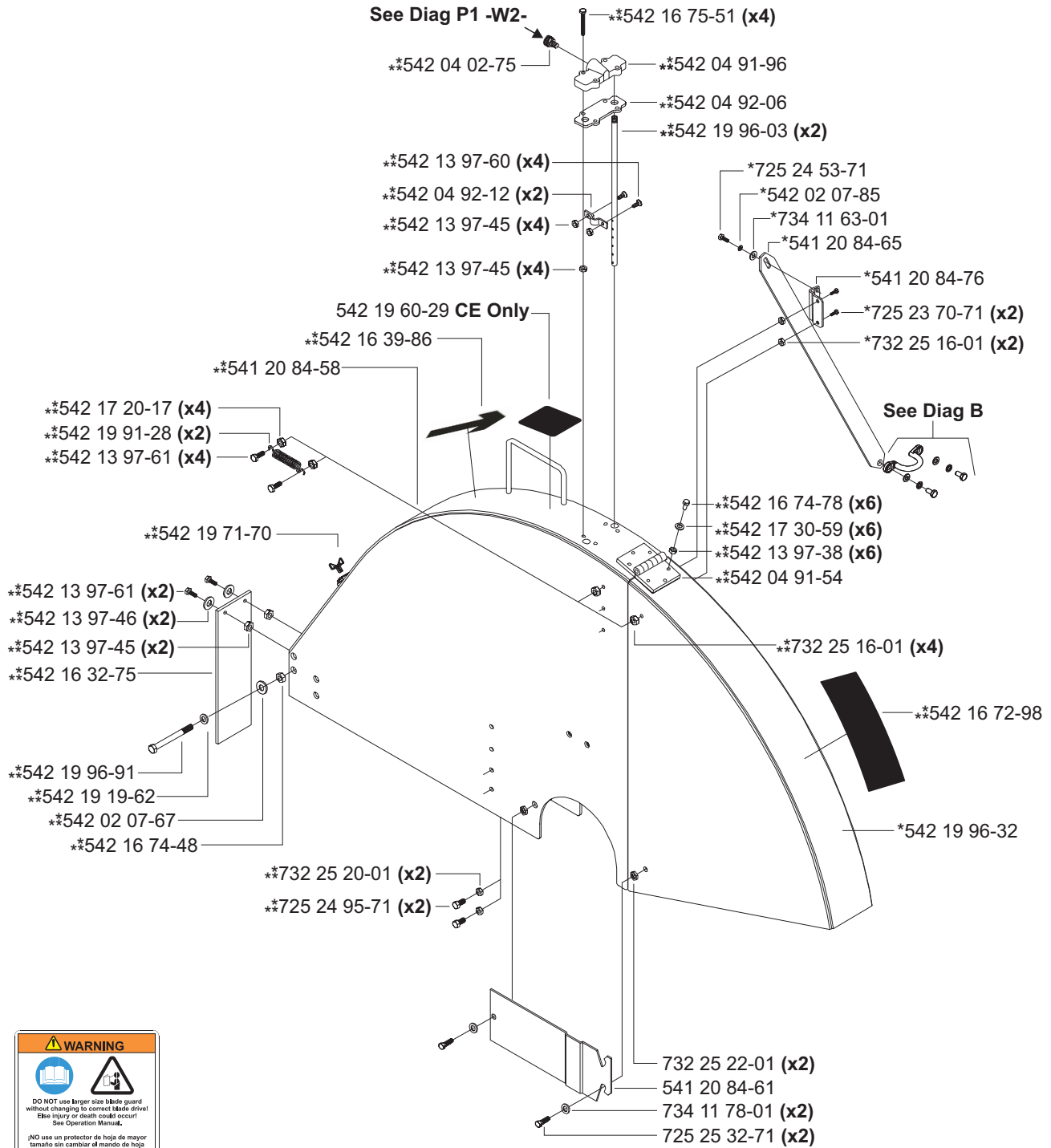


# X2 Blade Guard Assy - 42" Bolt-On - Husqvarna Gray

\*542 19 93-90 42" (1000mm) Compl  
 \*\*542 19 96-31 42" Blade Guard ONLY



01.12.07



**WARNING**

DO NOT use larger size blade guard without changing to correct blade drive! Else injury or death could occur! See Operation Manual.

(NO use un protector de hoja de mayor tamaño sin cambiar el mando de hoja correcto!)

(De lo contrario se pueden producir lesiones graves o mortales! Vea el manual de operación.)

NE PAS utiliser une protection de disque de plus grande taille sans changer en même temps le courroie d'entraînement ! Risque de blessures graves, voire mortelles ! Voir le manuel.

Bei Verwendung einer größeren Sägeblattabdeckung MUSS der entsprechende Antrieb installiert werden! Andernfalls besteht Verletzungs- oder Lebensgefahr! Siehe Betriebsanleitung.

Gebruik GEEN grotere bladafdekking zonder de blad aandrijving aan te passen! Andernzins kan het gevaar van ernstige letsel of de dood kunnen leiden! Zie bedieningshandleiding.

NON usare un riparo del disco di dimensioni più grandi senza cambiare anche la trasmissione del disco nella misura corretta! In caso contrario, si possono verificare infortuni o morti. Vedere il Manuale d'uso.

ANVÄND INTE ett bladskydd som är större utan att byta till rätt bladdriv! Det kan orsaka personskada eller död! Se bruksanvisningen.

\*\*542 16 72-98

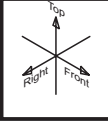
\*\*542 16 39-86

542 19 60-29 (CE Only)

119 dB L<sub>WA</sub>



# X3 Blade Guard - 48" Bolt-On - Husqvarna Gray (FS8400 Only)

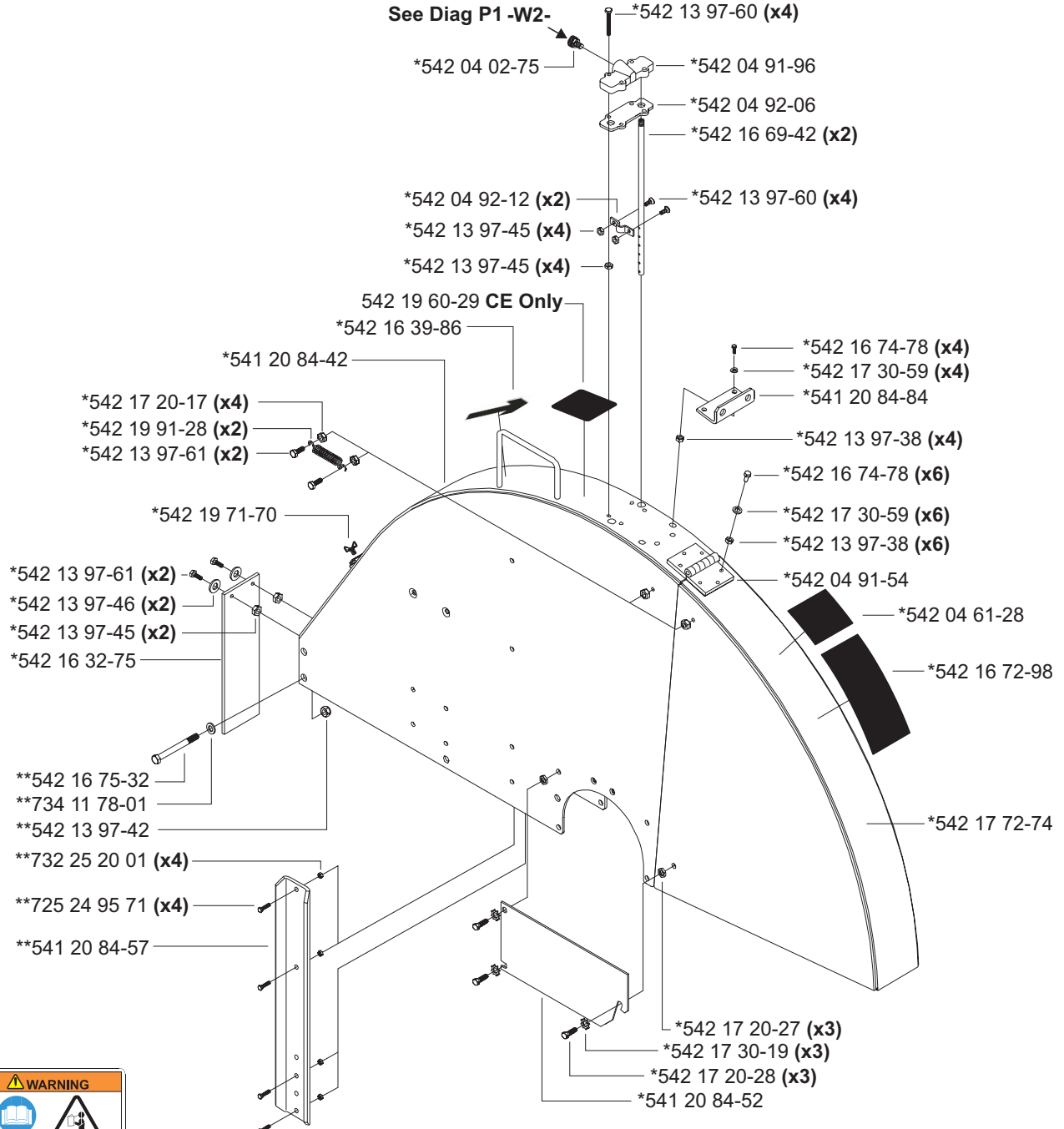


01.11.07

\*542 16 69-32 - Compl 48" (1200mm)

\*\*542 19 95-73 - Kit, Attachment

See Diag P1 -W2-



**WARNING**

DO NOT use larger size blade guard without changing to correct blade drive! Else injury or death could occur! See Operation Manual.

(NO use un protector de hoja de mayor tamaño sin cambiar el mando de hoja correcto!)

(De lo contrario se pueden producir lesiones graves o mortales! Vea el manual de operación.

NE PAS utiliser une protection de disque de plus grande taille sans changer en même temps le courroie d'entraînement ! Risque de blessures graves, voire mortelles ! Voir le manuel.

Bei Verwendung einer größeren Sägeblattabdeckung MUSS der entsprechende Antrieb installiert werden! Andernfalls besteht Verletzungs- oder Lebensgefahr! Siehe Betriebsanleitung.

Gebruik GEEN grotere bladafdekking zonder de aandrijving aan te passen! Indien dit niet gebeurt, zou dit tot een letsel of de dood kunnen leiden! Zie bedieningshandleiding.

NON usare un riparo del disco di dimensioni più grandi senza cambiare anche la trasmissione del disco nella misura corretta! In caso contrario, si possono verificare infortuni o morti. Vedere il Manuale d'uso.

ANVÄND INTE ett bladskydd som är större utan att byta till rätt bladrev! Det kan orsaka personskada eller död! Se bruksanvisningen.

\*542 16 72-98

\*542 04 61-28

\*542 16 39-86

542 19 60-29 (CE Only)

**WARNING**

DO NOT CHANGE TO A LARGER BLADE GUARD SIZE WITHOUT CHANGING TO PROPER BELT DRIVE, ENGINE SPEED AND BLADE FLANGES. FAILURE TO COMPLY COULD RESULT IN DEATH OR SERIOUS BODILY INJURY. SEE OPERATOR'S MANUAL FOR INSTRUCTIONS. IF YOU DO NOT HAVE AN OPERATOR'S MANUAL, CALL TOLL FREE 1-800-285-9940



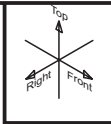
L<sub>wA</sub>

**119** dB

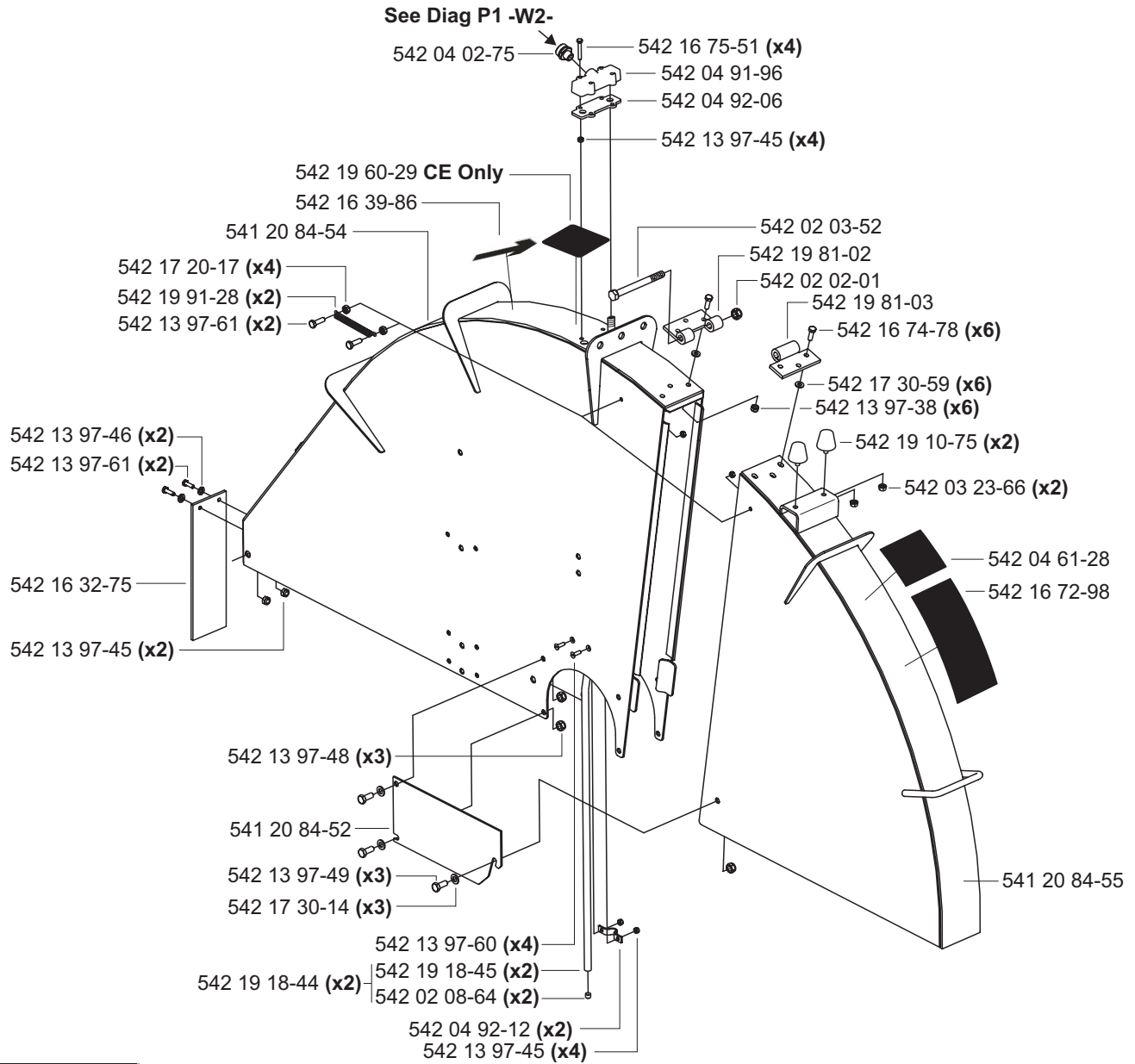
# X4 Blade Guard - 60" Bolt-On - Husqvarna Gray (FS8400 Only)

542 19 81-91- Compl. 60" (1500mm)

See Diag X5 for Attachment



01.12.07



**WARNING**

DO NOT use larger size blade guard without changing to correct blade drive! Eye injury or death could occur! See Operation Manual.

¡NO use un protector de hoja de mayor tamaño sin cambiar el mando de hoja correcto! (De lo contrario se pueden producir lesiones graves o mortales! Vea el manual de operación.

NE PAS utiliser une protection de disque de plus grande taille sans changer en même temps le courroie d'entraînement ! Risque de blessures graves, voire mortelles ! Voir le manuel.

Bei Verwendung einer größeren Sägeblattabdeckung MUSS der entsprechende Antrieb installiert werden! Andernfalls besteht Verletzungs- oder Lebensgefahr! Siehe Betriebsanleitung.

Gebruik GEEN grotere bladafdekking zonder de aandrijving aan te passen! Indien dit niet gebeurt, zou dit tot een letsel of de dood kunnen leiden! Zie bedieningshandleiding.

NON usare un riparo del disco di dimensioni più grandi senza cambiare anche la trasmissione del disco nella misura corretta!

In caso contrario, si possono verificare infortuni o morti. Vedere il Manuale d'uso.

ANVÄND INTE ett bladskydd som är större utan att byta till rätt bladstyr! Det kan orsaka personskada eller död! Se bruksanvisningen.

\*542 16 72-98

\*542 04 61-28

**WARNING**

DO NOT CHANGE TO A LARGER BLADE GUARD SIZE WITHOUT CHANGING TO PROPER BELT DRIVE, ENGINE SPEED AND BLADE FLANGES. FAILURE TO COMPLY COULD RESULT IN DEATH OR SERIOUS BODILY INJURY. SEE OPERATOR'S MANUAL FOR INSTRUCTIONS. IF YOU DO NOT HAVE AN OPERATOR'S MANUAL, CALL TOLL FREE 1-800-285-9949

\*542 16 39-86



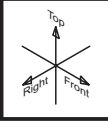
542 19 60-29 (CE Only)

L<sub>wA</sub>

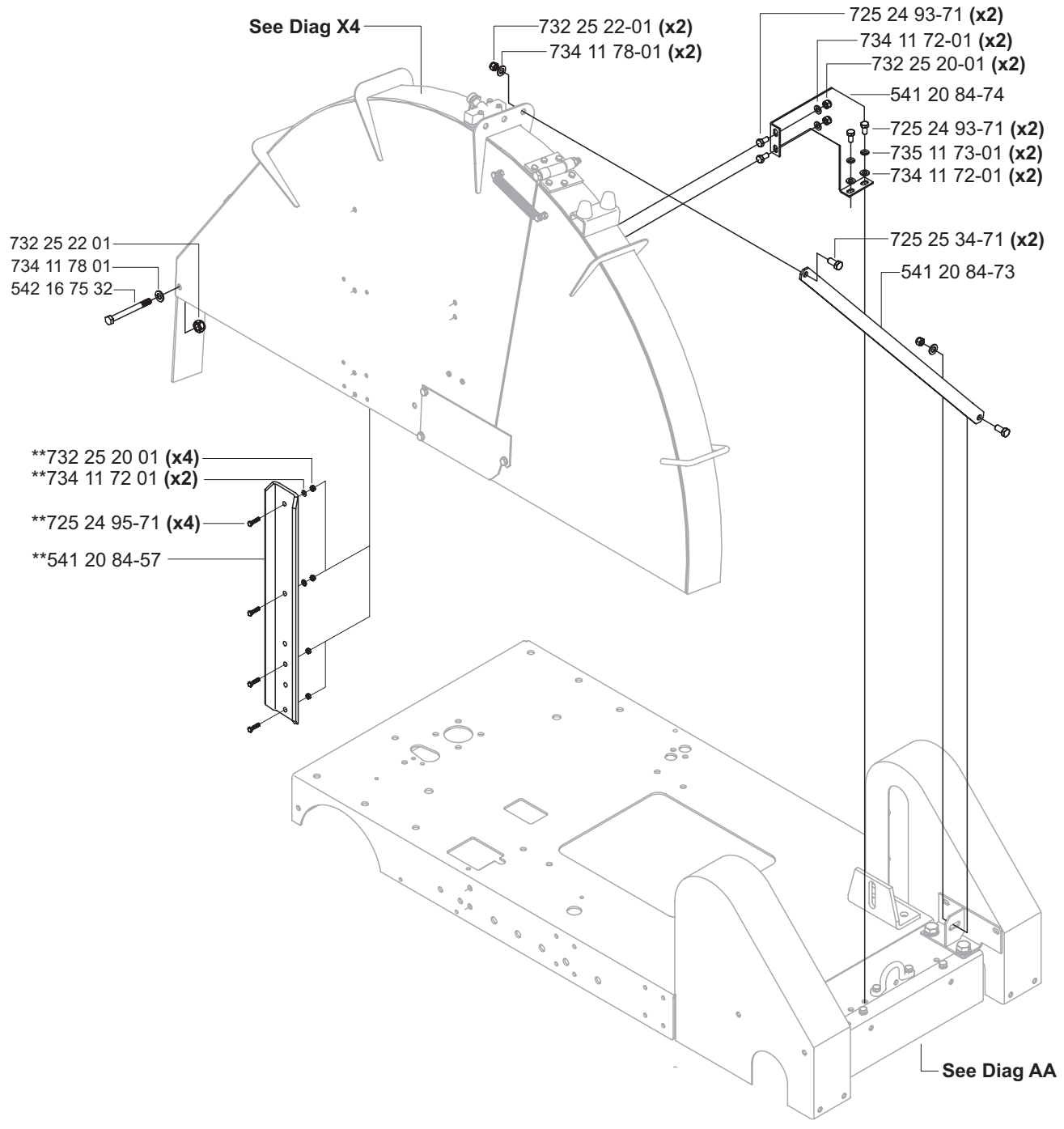
119 dB

# X5 Blade Guard Attachment - 60" (1500mm) - Husqvarna Gray

\*\*542 19 95-73 - Kit, Attachment



01.12.07

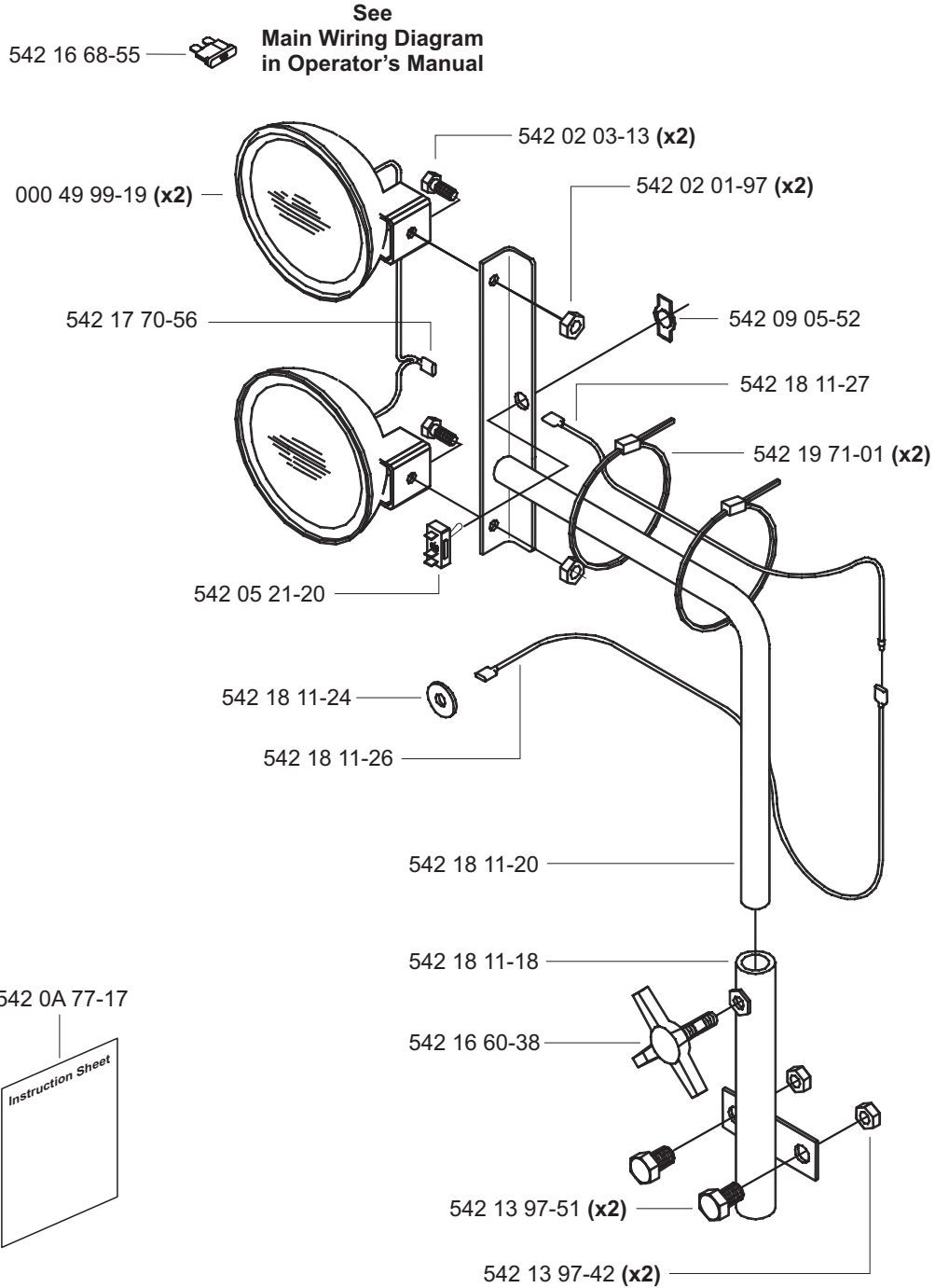




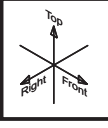
# Z Dual Work Light Kit

542 18 11 -17 - Kit, Compl

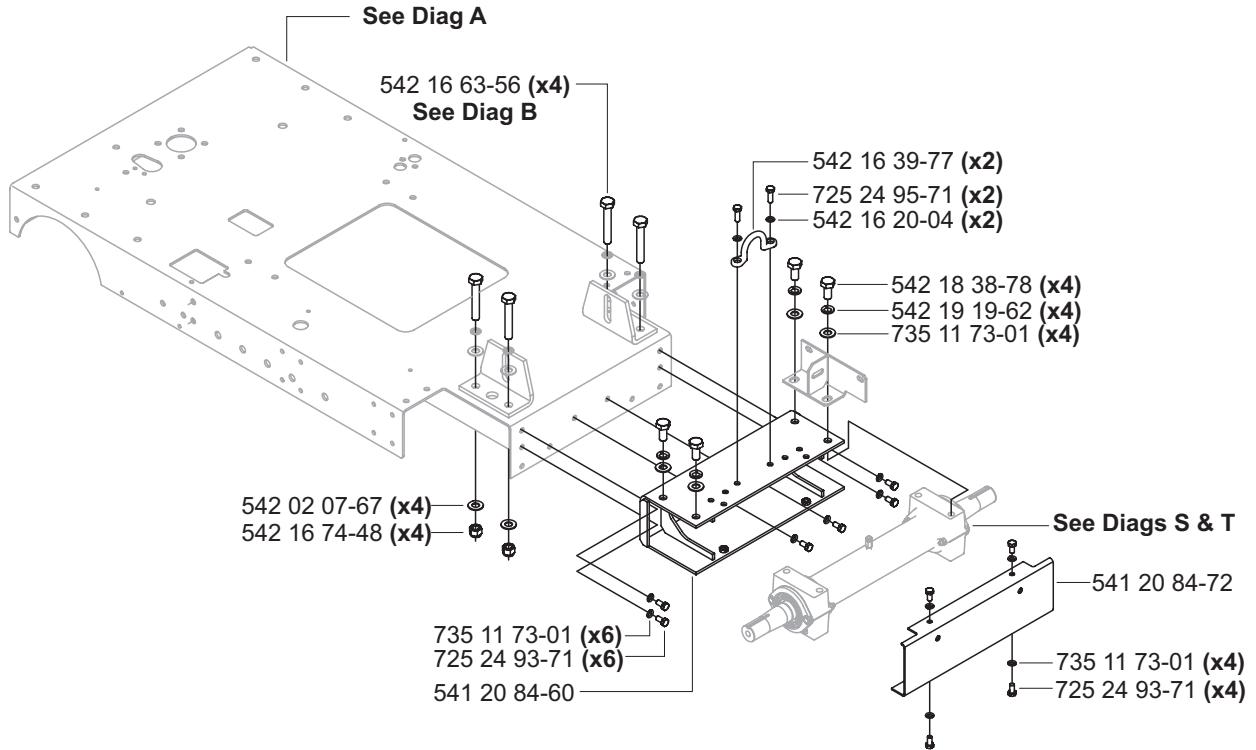
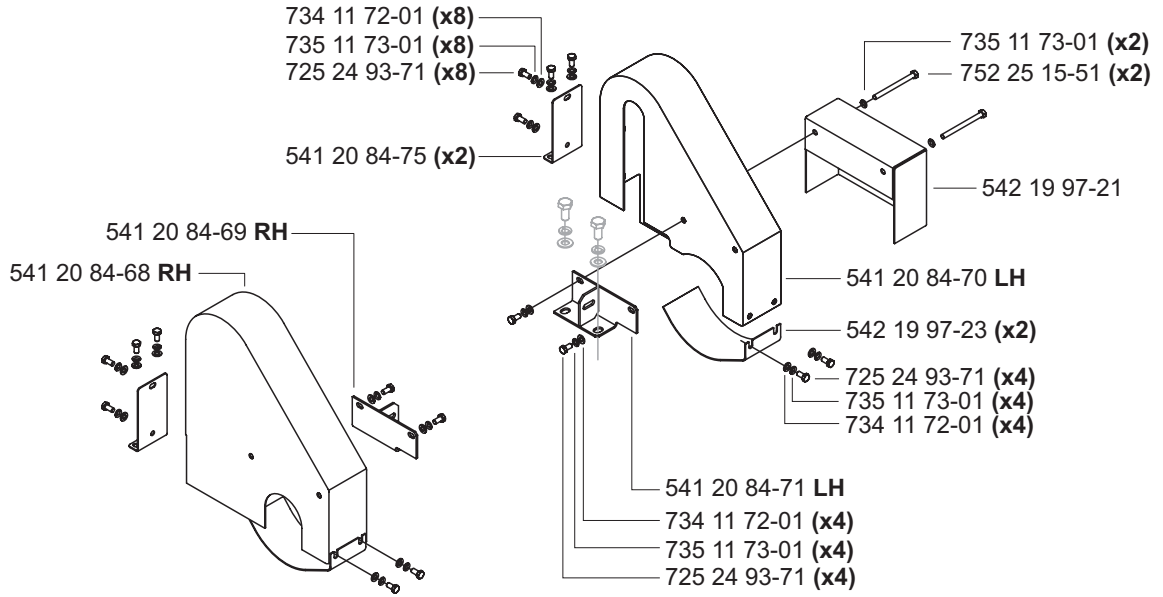
01.10.07



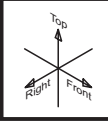
# AA Frame Extension - 60" (1500mm) FS8400 ONLY



01.12.07

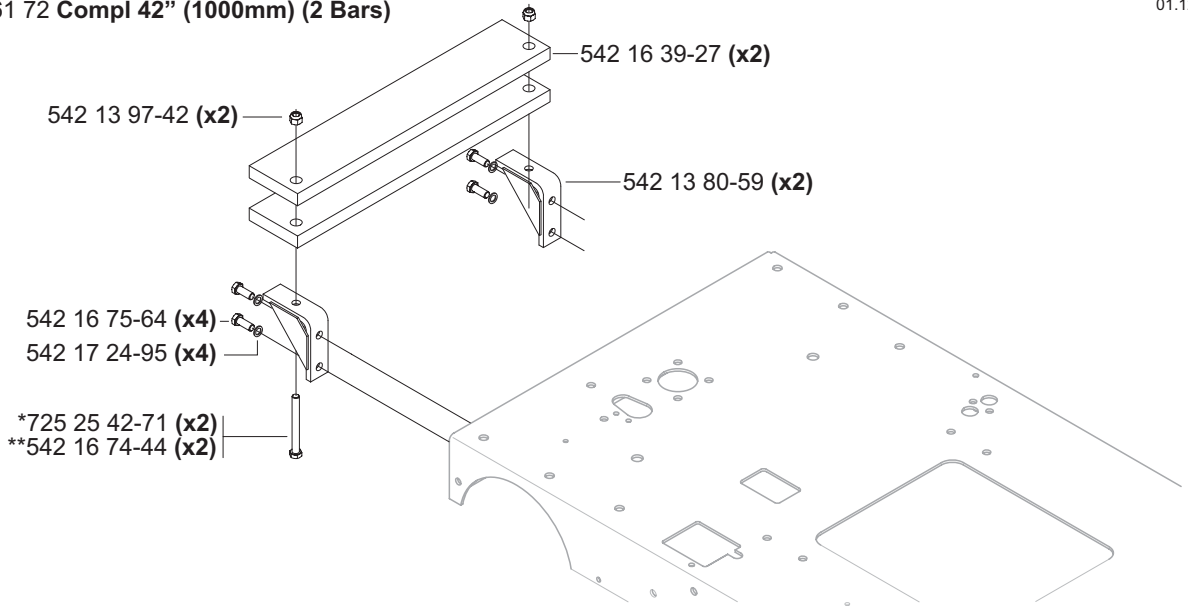


# AB Weight Kit- 42"(1000mm), 48"(1200mm) & 60"(1500mm)



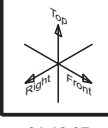
01.12.07

- \*542 19 61 71 Compl (1 Bar)
- \*\*542 19 61 72 Compl 42" (1000mm) (2 Bars)

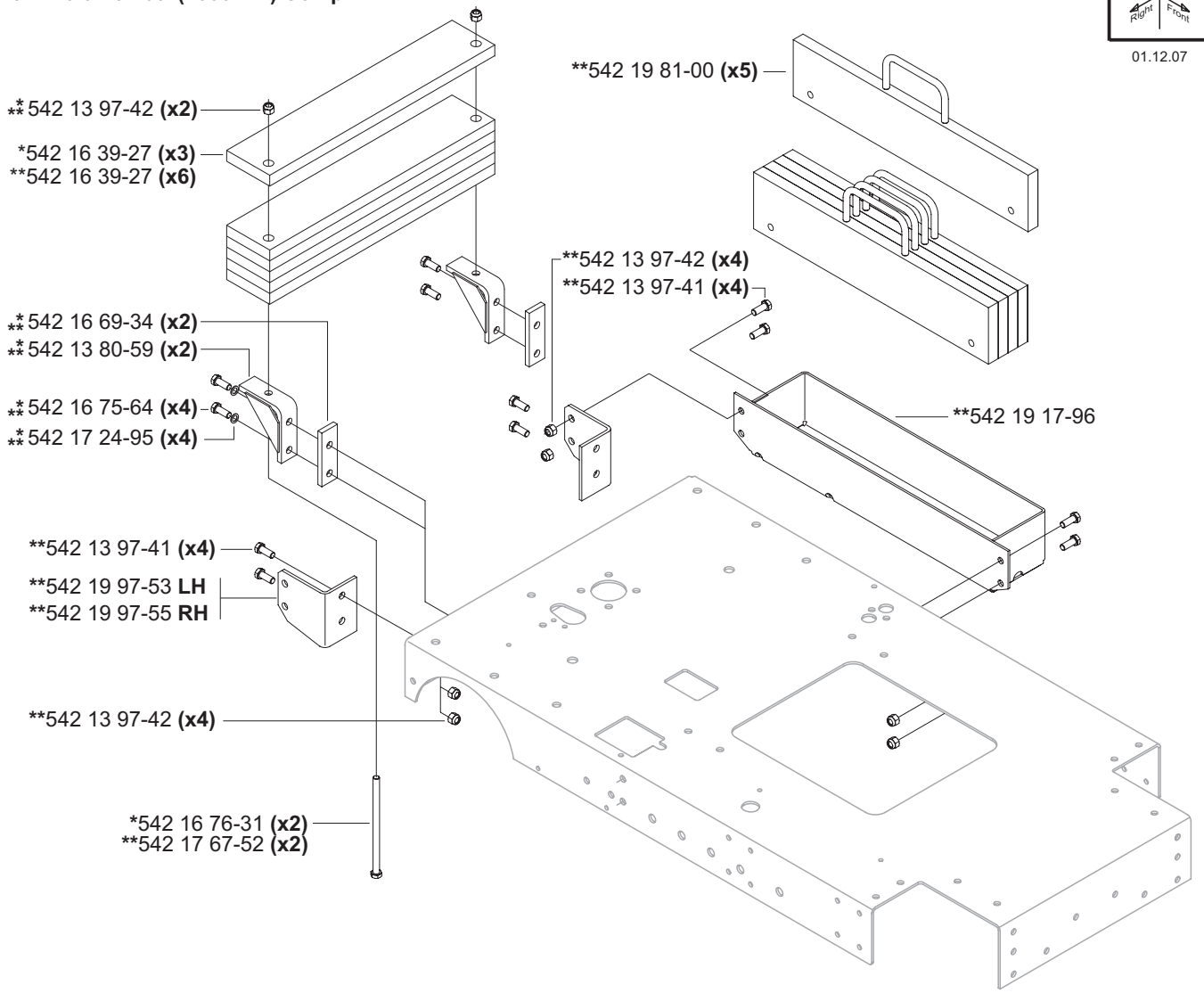


- 542 16 39-27 (x2)
- 542 13 97-42 (x2)
- 542 13 80-59 (x2)
- 542 16 75-64 (x4)
- 542 17 24-95 (x4)
- \*725 25 42-71 (x2)
- \*\*542 16 74-44 (x2)

- \*542 19 80-22 48"(1200mm) Compl
- \*\*542 19 97-57 60"(1500mm) Compl



01.12.07



- \*\*542 13 97-42 (x2)
- \*542 16 39-27 (x3)
- \*\*542 16 39-27 (x6)
- \*\*542 19 81-00 (x5)
- \*\*542 13 97-42 (x4)
- \*\*542 13 97-41 (x4)
- \*\*542 19 17-96
- \*\*542 16 69-34 (x2)
- \*\*542 13 80-59 (x2)
- \*\*542 16 75-64 (x4)
- \*\*542 17 24-95 (x4)
- \*\*542 13 97-41 (x4)
- \*\*542 19 97-53 LH
- \*\*542 19 97-55 RH
- \*\*542 13 97-42 (x4)
- \*542 16 76-31 (x2)
- \*\*542 17 67-52 (x2)

**Husqvarna Construction Products N. A.**  
**Corporate Office**  
17400 West 119th Street  
Olathe, Kansas 66061  
Tel. 913-928-1000  
Fax 913-438-7951

Customer Service: 800-288-5040  
Customer Serv. Fax: 800-825-0028



### **DUST WARNING**



**Cutting, especially when DRY cutting, generates dust that comes from the material being cut, which frequently contains silica.** Silica is a basic component of sand, quartz, brick clay, granite and numerous other minerals and rocks. Exposure to excessive amount of such dust can cause:

- Respiratory diseases (affecting your ability to breath), including chronic bronchitis, silicosis and pulmonary fibrosis from exposure to silica. These diseases may be fatal;
- Skin irritation and rash; and
- Cancer according to NTP\* and IARC\*  
\* National Toxicology Program / International Agency for Research on Cancer

Take precautionary steps

- Avoid inhalation of and skin contact with dust, mist and fumes;
- Wet cut when feasible, to minimize dust;
- Wear and ensure that all bystanders wear appropriate respiratory protection such as dust masks designed to filter out microscopic particles. (See OSHA 29 CFR Part 1910.1200)

**California Prop 65 Warning:**

Use of this product can cause exposure to materials known to the State of California to cause cancer and/or birth defects or other reproductive harm.



Printed in the USA