

FS 6800 YAN T3

Reservdelar

Spare parts

Ersatzteile

Pieces de rechange

Piezas de repuesto

Ricambi

Peças sobresselente

Reserveonderdelen

FS6800 YAN T3

PART NO.	POS.	DESCRIPTION	PART NO.	POS.	DESCRIPTION
020032	AB	U-Bolt, .25-20	139761	X4	HHCS M6-1.0 x 20
020049	G,K	Hose Clamp, SAE004	139764	X3	CB, M8-1.25 x 25 DIN 603 4.6
020050	T1	Hose Clamp, SAE32	15700506	E1	Hose Clamp, SAE104
020051	T2	Hose Clamp, SAE	15700537	T1	Hose Clamp, SAE285
020136	M	Nut, Hex .375-16	15701380	W	Hose Clamp, SAE56
020180	N1,R1,R2	Nut, Hex Jam Thin 1"-14	160196	M	Pointer Rod - Front
020195	AB	Locknut, .25-20	160393	B,Q1,Q2,R1,R2	Washer, Flat .6875
020197	Z	Locknut, 5/16-18	160704	P1	Petcock
020199	J	Locknut, 3/8-16	162004	Q2,U1	Lockwasher, Split M10
020244	C	Locknut, Wing .25-20	163172	R2,S	Flange, Blade w/Pin - 4.5" QDS
020296	Y	Pipe Fit., Close Nipple 3/4"NPT	163186	J	Bushing, Brass
020313	E3,Z	HHCS, 5/16-18 x 3/4	163214	P4	Knob, 1.5" Dia
020321	V1	Nut, Hex #10-24	163245	G,H,L1,R2	Grommet, 5/8" I.D.
020352	D,Q2	HHCS, .5-13 x 5	163272	R1,R2,S	Outer Collar w/ 6"Pin
020377	M	HHCS, .375-16 x 1.5	163275	X2	Guard, Splash 3.5" x 12"
020541	A	SHSS, 5/16-18 x .25	163389	X1	Guard, Splash - 2.75" x 12"
020551	O1	SHSS, .3125-18 x .25 Cup HK	163395	X4	Clamp, Water Tube
020587	E1	HWHSTS, 10-24 x .375 Type F, SL	163487	R1,R2,AB	HHCS, 5/8-11 x 3-1/2 Gr8 - RH
020587	F1,F2	HWHSTS, 10-24 x .375 Type F, SL	163488	R1,R2	HHCS, 5/8-11 x 3-1/2 Gr8 - LH
020616	N1	Pin, Cotter .125 x 1.5	163582	M	Wheel, 5"
020739	A	Washer, Flat #10	163656	P4	Hose, Water 60"
020742	E3	Washer, Flat 5/16"	163672	H,L1	Grommet, 3/4"
020745	J	Washer, Flat 1/2"	163688	H,J	HHCS M6-1.0 x 16 DIN 933
020747	R1	Washer, Flat 5/8"	163689	H	Washer, Lock, M6
020762	C	Washer, Flat 1/4 SAE	163927	AA	Weight, Black
020763	P2	Washer, Flat 5/16 SAE	163986	X2,AB	Decal, Blade Direction
020764	V1	Washer, Flat 3/8 SAE	164243	S,AB	Fit., Grease Zerk
020766	M	Washer, Flat 1/2 SAE	164297	N1	Fit., Grease Zerk
020767	C,D,Q1,R1,X4,AB	Washer, Flat 5/8 SAE	164370	N2,Y	Tab, Insulated Push-On
020777	B	Lockwasher, .3125 Hi-Collar	164632	R2	Key, Woodruff (ANSI #808)
020785	P2	Lockwasher, Split .3125	164954	Q2,U1	SHCS M10-1.5 x 25 Lo Hd Gr8
020786	P1	Lockwasher, Split .375	166038	Z	Knob, 1.25 x 3/8-16
020790	R1	Washer, Lock, 5/8	166256	U1	Locknut, Fiber .3125-24
020827	AB	Pipe Fit., 90 Elbow, 1/2"	166286	AB	Flange, Outer, 5" QDS B/O
020853	AB	Pipe Fit., SH Plug, 3/8 NPT	166307	R1,R2,S	Flange, Blade w/Pin - 5" QDS
020864	X4	Pipe Fit., SH Plug, 1/8 NPT Br	166351	P1,P2	Bearing, Pilot
020890	M	Cord, Sash, 1/4 Dia #85 (Per Foot)	166352	Q1	Isolator, Engine
030822	D,I	Wheel, Cart	166356	Q1	HHCS M16-2.0 x 100 DIN931
032366	D,I	Nut, KEPS 5/16"-18	166362	R1	V-Belt: 3VX450 - 4-Band
040261	L2	Valve, Ball 1/2"FPT	166365	R1,R2	Pulley, 8G3V4.75" - Gearbox
040275	X1,X2	Hyd Fit., .375"MPT x .75MGH	166366	R1	Pulley, 8G3V3.65" - Gearbox,
040330	E3	Spring, .054 x .375OD x 3.5	166368	Q1	HHCS M16-2.0 x 90 DIN933
041175	O1	Fit., Grease Zerk	166393	T2	Cap, Radiator, 10 psi
043203	M	Clamp, Cord 1/2"	166413	G	Tank, Coolant Recovery, 1.5 Qt
045640	L2	Filter-Washer	166442	Q1	Support, Engine, Rear
045642	L2	Washer, Swivel & Filter 1/2"NPT x GH	166448	Q2,V1	Head, Filter
046101	X1,X4	Washer, Fiber 1"OD x 13/32"ID x 3/32"	166449	Q2,V1	Element, Filter, Spin-On
046128	X1,X2,X4,AB	Decal, Warning (Blade Guard Size)	166466	J,U1	Rod End, #10-32UNF
046402	O1	Washer, Flat 1.03125	166480	R1,R2	Washer, Flat 1.030 x 2.25
046425	M	Washer, Spring	166491	G	Collar, Set, 1.25" I.D. - Mod
048078	O1	Collar, Set 1" ID w/SS	166491	H	Collar, Set, 1.25" I.D. - Mod
048878	AB	Manifold, Water	166622	F1,F2	Block, Fuse
048880	AB	Support, Manifold	166624	E1	Fastener, Tuflok
048894	AB	Key, Round End .375 Sq x 1	166629	R1	V-Belt: 3VX465 4-Band
048895	AB	Pin, Drive .375 x 7.125 B/O	166630	T1	Hose Clamp, Worm Drive SAE24
048901	AB	Nozzle, Vee, 1/4"	166632	R1	Pin, Hyd Cyl - Front
048905	AB	Flap, Rubber, Side Plunge	166674	P2	Clamp, Vinyl Coated 3/8 x 3/8
049154	X2	Hinge, 4"	166685	P2	Rotor, Electric Clutch
049264	AB	Nut, Hex, 1.75-12 B/O - LH	166708	F1,F2	Relay, NO/NC
049871	AB	Flange, Outer, 8" B/O	166750	X4	Manifold, Water
049925	AB	Wrench, 2-1/2" Blade Shaft	166816	X1,X4	Latch, B/G Slip-On
052120	Z	Switch, Toggle	166853	B	Decal, RADIATOR FILTER
072086	X3	Nut, Wing 8mm	166855	Y,Z	Fuse, 10A Push In
090552	Y,Z	Plate, Switch	166857	F1,F2	Fuse, 5 Amp
091129	AB	Pipe Adpt. 1/4" NPT	166878	F1,F2	PHSTS, #10-24 x 1" Type F
091136	AB	Nozzle, Flat Jet, 1/4"	166880	W	Adaptor, Restriction Indicator
0A7717	Z	Inst Sheet: Dual Light Kit	166891	J	Locknut, Fiber, #10-32
136476	W	Hose Clamp, Worm Drive SAE 64	166891	U1	Locknut, Fiber, #10-32
136608	T1	Clamp, Exhaust	166907	P1	Valve, Oil Drain
136685	J	Nut, Hex Jam #10-32	166957	X4	HHCS M16-2.0 x 110
138059	AA	Bracket, Weight - Black	166983	P1	Fan, Radiator 17" Dia
139649	P1	Bushing, Brass 1/2NPT x 1/4NPT	166986	X4	Tube, Water, 18" Blade Guard
139742	J,X1,X4	Locknut, Fiber M12 DIN985	167035	N2,O2	Pin, Cotter Hair Spring 1/2-5/8
139745	X1,X4	Locknut, Fiber M6 DIN985	167289	X1,X4	Decal: Blade Direction - Small
139749	D	HHCS M10-1.50 x 25 DIN933	167444	AA	HHCS M12-1.75 x 75
139751	X1,X4	HHCS M12-1.75 x 25 DIN933	167447	Q1,Q2	HHCS M16-2.0 x 45 DIN931
139759	X1,X4	HHCS M6-1.0 x 45	167448	Q1,X3,X4	Locknut, Fiber M16 -2.0

FS6800 YAN T3

PART NO.	POS.	DESCRIPTION	PART NO.	POS.	DESCRIPTION
167449	C	Eyebolt, M6-1.0 x 50	191962	AB	Lockwasher, Split, M16
167491	C,X3	SHCS, CSK M10-1.5 x 25	191962	C,D,Q1,Q2,X3,X4	Lockwasher, Split, M16
167503	X1,X4	Bolt, Latch Pivot M8-1.25	191963	S,AB	Vent Plug 1/8 NPT
167555	C,G,H,L1,L2,P3,Q1	U-Nut, M8-1.25	191996	P2	HHCS M8-1.25 x 20, DIN933-10
167555	D,P4	U-Nut, M8-1.25	196029	X1,X2,X4	Decal, LwA 119dB
167761	X4	HHCS M5-0.8 x 20 DIN933	197101	Z	Cable Tie, Plastic 8 In X .094
167818	X4	FLHMS, M6 x 1.0 x 16mm SLOT	197170	X1,X2,X4+E142	Wing Bolt, M6 -1.0 x 16
167925	D	FHCS, M8-1.25 x 30 F.T.	197227	X4	HHCS M8-1.25 x 20 DIN933
169157	X1,X2	O-ring, -110	198043	P1	Hose, 1/2" Water, 3/4"FGH x 36"
169430	A	Rivet, Pop 3.2 Dia x 10	198077	C	Battery, Group 48
171891	X4	Rivet, Blind 3/16 Dia	198078	C	Bar, Battery Hold-Down
172011	X4	Nut, Hex M5-.80 DIN934	501046802	X1	Tube, Water - 26" B;d Grd
172017	C,X4	Nut, Hex M6-1.0	501047002	X1	Tube, Water - 30" Bld Grd
172495	AA	Washer, Lock M12	501047102	X1	Tube, Water - 36" Bld Grd
173009	O1	Nut, Hex M12-1.75 DIN934	501047301	X1	Manifold, Water
173010	D	Nut, Hex Low, M12-1.75	501356101	A	Tube, Hood - RH
173014	Q2,U1	Washer, Flat M10	501368801	A	Tube, Hood - LH
173019	X4	Lockwasher, Star Ext M8	501388303	Q1	Muffler T3 - Black
173047	Y	Washer, Flat M5	501970903	A	Hood, Front
173059	L1,X4	Washer, Flat M8	501971204	A	Hood, Crown Piece
174446	A	SHCS M8-1.25 x 25 DIN912	501976903	A	Bracket, Cross
174679	G,H	Lever, Adjustable	502287501	M	Bracket, Pointer
174986	Y	Clamp, Hose SAE12	502290205	A	Latch, Spring Tube, Tall
176223	B,P3,P4	Decal, CAUTION (SHIELDS)	502290403	Q1	Muffler Support - T3
176383	F1,F2	Switch, Emergency Stop	502298101	P4	Arm, Shift Connector
176398	J	Switch, Neutral Safety Start	502298201	P3	Guard, Belt FS6600
176811	A	Pin, Clevis 3/8 Dia x 1.38	502463902	A	Tape, 2-Sided Adhesive - Roll
176994	J	Speed Control/Shift Frame	504002101	X2	Manifold, Water
176996	J	Arm, Shifter Pivot	504016202	Q1	Bracket, Engine Front - RH
176998	J	Pivot Pont, Shift	504016206	Q1	Bracket, Engine Front - T3 LH
177056	Y,Z	Terminal, Wire 1/4"	504018202	X2	Blade Guard, Rear, 42" H. Grey
177066	C	Rubber Boot, Batt. Term., Black	504019002	X2	Tube, Water - 42" Bld Grd
177239	N2	Pin, Rue Ring 1/2" Dia	504019102	X2	Blade Guard, Front, 42" H. Grey
178658	AB	Spring, Blade Guard	504019401	X2,X3	Blade Guard, Slip-On, 42" - Compl
178687	Y	Fitting, 3/4"MGH x 3/4"MPT	504061201	D	Pointer, Rear
178724	L2	Switch, Pressure, N.O.	504119704	R2	V-Belt, 3VX545 4-Band
181026	B	Decal, RADIATOR FILTER CE	504119706	R2	V-Belt, 3VX570 4-Band
181039	J	Washer, Friction, 2"	504209101	B	Support, Hood - H-GREY
181059	B	Decal, DIESEL	504537501	P4	Fit. Pipe, Expander/Extender
181109	M	Nut, Hex Jam, M16 x 2.0	504539601	P4	Fiting, Breather
181109	X3	Nut, Hex Jam, M16 x 2.0	504542901	X3	Bracket, Blade Guard, 42"
181117	Z	Kit, Dual Light 12VDC	504543901	X3	Bracket, Brace, 42"
181118	Z	Tube, Support	504544301	X3	Rod, Custom Threaded
181120	Z	Bar, Support	504545501	P4	Handle, 3-Spd Shifter
181126	Z	Wire Assy, 36" Black	504548501	P4	Fitting, Hose Barb
181127	Z	Wire Assy, 16" Black	504548601	P4	Fitting, Street Tee
181206	O2	Orifice, Disc .031"	504548701	P4	Fitting, Pipe Swivel-Union
181361	G	Grommet	504548801	P4	Valve, Drain
182099	J	Lug, Solder Terminal	504558301	X3	Kit, Blade Guard - 42"
182146	J	Boot, Half - Toggle Switch	504558401	X3	Kit, Blade Guard Attach - 42"
182184	C	Cable, Batt. 4Ga x 44" - Red	504559701	A	Decal, Gearbox Operation
183001	J	Bushing, Glide	504571601	I	Pointer, Depth Indicator
183044	AB	HHCS, -5-13 x 11.5	504580302	A,C	Loop, Chain Tiedown
183124	B,D,J	Washer, Belleville .5"	504587901	P4	Rod, Shifter Lockout
183137	J	Bracket, Neutral Safety Switch	504592206	P4	Arm, Lockout - FS6600
183154	J	HHCS, .375-16 Special	504592207	P4	Arm, Lockout, Link - FS6600
183163	AA	HHCS M12-1.75 x 35 DIN931	504599201	P4	Lock, Padlock
183375	P1,P4	Hole, Plug 3/4"	504599301	A	Primer, Adhesive - 3M
183375	P1,P4	Hole, Plug 3/4"	504611001	P4	Instruction, Kit 3-Speed Lockout
183396	M	Front Pointer - Compl	504613502	A	Lock, Hood Plate
183530	P1	Hyd. Fit., Elbow M22-8JIC	504613505	A	Lock, Hood Hook
183998	X1,X4	Lanyard, Nylon Coated SS	504628401	B	Decal, Depth Indicator, CE
183999	X1,X4	Drive Screw #10 X .25 Lg	504630101	B	Decal, Depth Ind Op, CE
188324	B	HHCS M16-2.0 x 45 10.9	504793101	P1	Engine, JD, 4024HF295 T3 66HP
191082	W	Air Cleaner 8" - Compl	504827001	S	Bladeshaft, 3-Spd, 5" Flange - Compl
191114	W	Housing, Air Cleaner	504827002	S	Bladeshaft, 3-Spd, 4.5" Flange - Compl
191115	W	Element, Primary	504827003	S	Bladeshaft, 3-Spd, 6" Flange - Compl
191116	W	Element, Safety	504827004	S	Bladeshaft, 3-Spd, 7" Flange - Compl
191118	W	Valve, Air Cleaner	504836801	R1,R2	Seal, Shaft - Input
191142	X1,X4	Kit, Blade Guard Latch	504836802	R1,R2	Seal, Shaft - Output
191284	S,AB	Pipe Fit., 1/8 NPTF Extension	504837001	Q1	Shield, Fan, Black - RH
191316	P1	Hose, Oil Drain x 20"	504837101	T2	Cradle, Air Cleaner
191429	S	Bearing 209PP	504839401	C,X3	Spade, Narrow Blade Guard
191714	O1	Bearing, Ball	504843303	E2	Radiator, 66-80HP
191770	O1	Wheel, 8"Dia x 3" w/ Ball Brg - Compl	504855601	Z	Lamp, 12V
191894	I	Cable, Depth Indicator	504857701	X1	Blade Guard, 20" - Compl
191895	R1,R2	Pulley, 8G3V4.12, Taper Bore	504858101	X1	Tube, Water, 20"

FS6800 YAN T3

PART NO.	POS.	DESCRIPTION	PART NO.	POS.	DESCRIPTION
504858901	T1	Hose, Turbo-CAC	521937801	G	Cap, Radiator 15 PSI
504858902	T1	Hose, CAC FS6600	521938201	L1	Control, Electronic JD 66HP (ECU)
504859101	T1	Hose, Engine - CAC	521944401	L1	Stud, M8 x 1.25 x 80
504859201	T1	Hose, Coolant, Radiator Inlet	521970301	E1	Decal, FS6600 T3 Oper Inst
504859202	T1	Hose, Coolant - Engine In	521970302	E1	Decal, FS6600 T3 Oper Inst - CE
504859203	T1	Hose, Coolant - Engine Out	522591101	E2	Cooler, Fuel, 4-Pass
504861701	G,H	Lever, Adjustable Clamping	522604501	E2	Clip, Gator - Fuel Cooler
504871601	X1	Blade Guard, Front - 20"	522607902	E2	Filter, Fuel Cooler
504871701	X1	Blade Guard, Rear - 20"	522608001	E2	Mount, Fuel Filter
505063811	B	Frame, Lift Bail - FS6600	522612901	U1	Arm, Speed Control
505103701	P4	Bracket, Z-Pattern 3-Speed	522613501	V1	Hose, Suction x 12.75"
505117801	A	Panel, Side - LH	522627701	F1	Decal, Blade Spd 1-Spd FS66JD
505117802	A	Panel, Side - RH	522627702	F2	Decal, Blade Spd 3-Spd FS66JD 14-26
505129901	L1	Cowl, Front	522627703	F2	Decal, Blade Spd 3-Spd FS66JD 18-30
505129903	L1	Cowl Radiator Bracket	522627704	F2	Decal, Blade Spd 3-Spd FS66JD 20-36
505129906	E3	Bracket, Radiator - FS6600	522627705	F2	Decal, Blade Spd 3-Spd FS66JD 26-42
505129908	E3	Filter, Radiator - FS6600 T3	522636501	T1	Bracket, CAC Hose Support
505129909	E3	Filter, FS6600 CAC	522676501	Q1	Spacer, Engine Foot
505186001	B	Brace, Lift Bale - FS6600	522746001	V1,V2	Pump, Lift 12 VDC
505189101	M	Bracket, Rope	522842401	V1	Cable, PUMP GROUND
505215201	O1	Axle, Front - FS6600	522849106	V2	Strainer, Pump - Lift Pump
505283001	AB	Flange, Inner, 8" B/O	522849109	V2	Valve, Cartridge - Lift Pump
505283101	AB	Bladeshift, Side Plunge	522849110	V2	Coil, 12 VDC Repl - Lift Pump
505283102	AB	Bld Sft, Side Plunge, w/Flg & Ply	522849115	V2	Switch, Starter - Lift Pump
505283201	R1,AB	V-Belt, 3VX475 4-Band	522849119	V2	Cap, Filler-Breather - Lift Pump
505289503	U1	Pump, Hydro	523119501	F1,F2	Kit, Throttle Control Rocker Switch
505416801	O2	Cylinder, Lift - FS6600	525289901	T2	Tank, Surge
505416901	AB	Bearing, Ball 55 mm	525305701	F1,F2	Stud, PEM 10-32
505417201	AB	Tube, Bladeshift, 55mm	525305702	F1,F2	Stud, PEM 8-32
505417301	AB	Flange, End Cover, 90 mm	525310501	F1,F2	Harness, Wiring - Control Box T3
505417401	AB	Pulley, 3VX 4.75 x 8 Gr	525416401	T1	Tube, Radiator Vent - Blk
505422401	AB	Flange, Inner, 5" B/O	525434702	T2	HOSE 3/4 HEATER ENG-SURGE TANK
505439201	N1	Axle, Rear	525448601	T1	Hyd. Fit., 3400-4
505445101	O2	Block, Cylinder Monut	525550401	E2	Hyd. Fit., 3350-4-4
505455801	Q1	Relay, JD	525550401	T2	Hyd. Fit., 3350-4-4
505455901	Q1	Bracket, Relay Starter	525550701	E2,T1,T2	Hyd. Fit., 4244-2-4
505455903	Q1	Bracket, Relay Mount	525567201	T2	Hose, 1/8" ID Bulk (20")
505482001	N1	Block, Axle Pivot	525579501	U1	Hose 2250PSI x 15.5"
505497014	AB	Bladeshift, Side Plunge - Compl	525606001	E1	Decal, DIESEL / Low Sulfur
505523301	A,B	Frame - FS6600 T3	539101331	G,H	Locknut, Fiber 1/2-13
505531901	R1,AB	Pin, Dowel .375 x 1.5	539102535	N1	Dust Cover, Hub
505531901	R1,R2	Pin, Dowel .375 X 1.5	539102653	R2	Washer, Flat 5/8"
505551101	C	J-Bolt, .25-20 x 7.25"	539300010	R2	Pin, Dowel 3/8 x 1.75
505566602	A,G	Side Panel, H Org - LH	539300011	L2,Y	Hose Clamp, Worm Drive SAE006
505566606	A,H	Side Panel, H Org - RH	539300069	K	Filter, Fuel, Inline 5/16"
506002701	N2	Actuator, Linear - 40mm	539300111	F1,F2	Plug, Hole, 1/2"
506126202	F1,F2	Control Box	539300113	Y	Boot, Switch, Grey
506126204	F1,F2	Panel, Control Box	539300123	O1	Set Collar, 1" ID
506492901	O1	Bearing, 1.25" Tapped Base	539300133	R1,R2	Wrench, 15/16" Open End
506497601	C	Battery Box - FS6600	539300243	L2	Pipe Fit., Close Nipple, 1/2"
506497801	A	Pin, Side Panel - Black	539300268	I	Pin, Cotter, 3/16 x 1"
506748001	L1	Cover, ECU - Front	539300310	U1	Hyd. Fit., Elbow 6MJIC x 6SAE
506748003	L1	Cover, ECU - Back	539300340	G,H	Bar, Handle
506899903	Q1,V1	Bracket, Speed Control JD	539300440	Q1	Cap, Bolt, 5/8 UHMW
510013501	N1	Hub, Dust Cover 2.448 OD	539301153	I	Switch, Depth Stop
510014101	F1,F2	Bracket, Display Mount	539301366	I	Locknut, Fiber #6-32
510014401	N1	Seal, Radial Shaft 1.50 ID	539301367	I	RHMS, #6-32 x 1, Slotted
510016602	F1,F2	Display, Canpluss 600 JD T3	539976979	I	Locknut, Fiber, 3/8-16
510016701	F1,F2	Keyswitch & Key	539976982	R2,X3	Washer, Flat, 5/8 SAE
510016705	F1,F2	Key, Switch	539990052	Q2,V1	Washer, Lock, 1/4
510126601	V1	Mount, Lift Pump	539990071	Q2,V1	HHCS, 1/4-20 x 1/2
510170101	F1,F2	Harness, Engine JD T3	539990118	V1	Washer, Lock, 3/8
510170102	F1,F2	Harness, Cowl JD T3	539990122	I	Washer, Flat 3/8 SAE
510182601	F1,F2	Control Box, JD T3 - Compl	539990134	P1	HHCS, .375-16 x .75
510264401	W	Hose, Air Intake JD - FS6600	539990187	P4	Washer, Lock 5/16
510271101	T1	Tube, Elbow - CAC	539990209	P4	HHCS, 5/16-18 x 1"
510271201	Q1	Shield, Fan - LH	539990254	D,Q2	Lockwasher, Split 1/2"
510283601	Q1	Guard, Belt JD - Blk	539990258	P4	Nut, Hex, 1/2-13
510406201	E1	Cover, CAC H-Org	539990333	B,Q1,R2,AB	Washer, Lock 5/8
510414601	Q1	Shield, Alternator JD - Blk	539990637	I	HHCS, 3/8-16 x 2-1/2
510414701	T1	Mount, Fuel Filter	541200523	Z	Grommet, Frame
516037601	K	Probe, Fuel Level Sensor	541200533	I	Bearing, Flange
516055501	K	Tank, Fuel T3	541200642	W	Clamp, Hose, SAE44
520281701	N1	Shaft, Vert., Rear Axle 1.25	541200847	R2	V-Belt, 3VX560 4-Band
520281801	N1	Bearing, Plain 1.25 ID	541200989	W	Gauge, Air Flow Restriction
521921501	F1,F2	Decal, Control Panel JD T3	541202061	I	Pulley, Depth Indicator
521933501	T1	Clamp, T-Bolt Spring-Loaded	541204591	Y	Pipe Fit., St. Elbow 3/4"

FS6800 YAN T3

PART NO.	POS.	DESCRIPTION	PART NO.	POS.	DESCRIPTION
541204661	Y	Pipe Fit., 3/4"MGH x 3/4"FPT	542199018	G	Mounting, Handlebar - LH
541204755	V1	Hyd. Fit., Str 4JICx6SAE	542199029	B,L1	Insulator, Neoprene w/ Holes
541204756	U2,V1	Hyd. Fit., Str 6JICx6SAE	542199039	L2	Insulator, Rubber
541204768	U1,V1	Hyd. Fit., 90° Elbow 4JIC x 6SAE	542199044	S,AB	HHCS M8-1.25 x 75
541204780	U1	Washer, Flat 5/16	542199045	R1,R2,AB	Key, 1/4" Sq x 2.5 Round BE
541204806	U1	Hyd. Fit., 90° Elbow 8SAEx6JIC	542199053	A,C,E1,G,H,L1,L2	HWH Bolt w/ Dog Pt, M8-1.25
541204855	L2,P1,AB	Hyd.Fit., 3/4"MGH x 1/2"MPT	542199053	N1,O1,P2,P3,P4,Q1	HWH Bolt w/ Dog Pt, M8-1.25
541204870	P1	Hyd. Fit., Hose Barb 1/2"H x 1/2"MPT	542199124	L2	Pipe Fit., St. Elbow, 1/2"NPT
541204911	V1	Hyd. Fit., 6JIC Cap	542199125	L2	Pipe Fit., Male Elbow, 1/2"NPT
541204971	F1,F2	Locknut, Fiber 8-32	542199126	L2	Pipe Fit., Female Tee, 1/2"NPT
541204977	U1	Hyd. Fit., Str. Conn 6MJIC x 8SAE	542199127	L2	Pipe Fit., 45 Deg St. Elbow, 1/2"NPT
541204983	V1	Hyd. Fit., Run Tee - 6JIC	542199128	X1,X2	Spring, Blade Guard
541204991	N1	Hyd. Fit., Str. Conn 6MJIC x 10SAE	542199160	R1,S	Pulley, 6.4" Tapered Bladeshaft, 42"
541205011	O2	Hyd. Fit., Str. Conn 4MJIC x 4SAE	542199183	J	Cable, Push-Pull
541205253	F1,F2	Locknut, Fiber #10-32	542199202	I	Bracket, Depth Indicator, Black
541205301	M	HHCS M16 x 2.0 x 80	542199210	K	Draw Tube, Fuel Line - Compl
541206691	Q1	Clamp, Exhaust 3.3 Turbo	542199217	E1	Shroud, Radiator Half
541206888	R1,R2,S	Flange, Inner 5" Dia, 18"-26"-30"	542199222	J	Handle & Switch - Compl
541206943	P1	Coupling, Flywheel	542199235	K	Hyd Fit., 45° Elbow, 5MJIC x 6SAE
541207100	R1,R2	Kit, Sleeve Puller - Compl	542199236	K	Hyd Fit., -5 FJIC x 5/16 Hose Barb
541208006	S	End Cover, Flange	542199239	N2	Pivot Pin, Actuator 12mm
541208022	S,AB	O-Ring -044	542199241	N2	Pivot Pin, Actuator 10mm
541208345	X1,X4	Spring w/ 90 Hook	542199247	L2	Bracket, Water System
541208357	X1	Latch, Blade Guard - 20"	542199298	X1	Guard, Splash - 12"
541208416	E1	Cover, Control Panel Top	542199308	D	Bracket, Depth Indicator Wheel - Black
541208421	L2	Cowling, Rear	542199317	R1,S	Flange, Inner 7" Dia, 42"
541208425	Q1	Mount, Engine - RH	542199317	R2	Flange, Inner - 7"
541208427	L2	Hanger, Hose	542199353	N1	Hose, 6FJ90 x 6FJ90 x 21"
541208431	C,X3	Spacer, 4-Bolt Spade	542199354	N1	Hose, 6FJ90 x 6FJ90 x 31"
541208440	X1,X4	Cover, Bladeshaft (CE)	542199355	N1	Hose, 6FJ x 6FJ90 x 15"
541208447	X4	Blade Guard, Rear -18" (3")	542199358	V1	Hose, 4FJ90 x 22.5"
541208448	X4	Blade Guard, Front -18" (3")	542199359	V1	Hose, 4FJ x 4FJ90 x 54"
541208461	X2	Cover, Bladeshaft - 42" CE	542199372	D	HHCS M12-1.75 x 140, 8.8 DIN 933
541208463	C,X3	Spade, Slip-On, Low Grd - LH	542199378	R1,R2,S	Flange, Outer w/Pin - 7" QDS, 42"
541208464	C,X3	Spade, Slip-On, Low Grd - RH	542199387	P2	Hub, Clutch Drive w/ Fasteners
542139568	G,H	Grip, Handle	542199396	P2	Coil, Field w/ Leads
542167298	X1,X2	Decal: Blade Guard Caution	542199397	C	Cable, Batt. Pos. 0Ga x 18" - Red
542169065	B	Decal: Warning/Muffler	542199398	C	Cable, Batt. Neg. 0Ga x 28" - Black
542180427	F1,F2	Decal, PATENTS	542199414	U2	Valve, C-Balance
542182102	J	Switch, Toggle - Raise / Lower	542199426	N1	Nut, Castle, 1"-14 UNF
542182219	F1,F2	Switch, Rocker	542199427	N1	Spacer-Washer, 1" Bearing
542182228	I	Harness, Depth Stop	542199432	F1	Decal, Blade Speed / Size - CE
542182233	P2	Harness, Cowl	542199433	F1,F2	Decal: E-Track Control
542182262	F1,F2	Switch, DPDT, 3 Pos. E-Trac	542199435	D	Decal, Axle Adjustment, Manual
542182281	J	Wire Harness, J-D Cowl - FS6600D	542199451	J	Speed Control - Compl
542182303	M	Pointer, Front	542199452	K	Hose, Fuel Line, 5/16" ID x 88"
542182305	C	Bracket, Support, Rear	542199466	S	Bladeshaft Assy - compl 18"
542183106	K	Cap, Gas w/o Gauge	542199467	S	Bladeshaft Assy - compl 26/30"
542190595	P4	Decal, Gearbox Range	542199469	S	Bladeshaft Assy - compl 36"
542190628	B,F1,F2	Decal, TRANS. BYPASS VALVE	542199470	S	Bladeshaft Assy - compl 42"
542190702	G,H	Decal, HUSQVARNA / FS6600D	542199475	N2	Bracket, Actuator Pivot, Lg. Black
542190733	L2	Decal, HUSQVARNA	542199478	G,T2	Hose, Radiator Overflow 5/6"ID x 54"
542190735	A	Decal, 3" Husqvarna Crown	542199479	Q1	HHCS M16-2.0 x 35, DIN 931
542195127	X1,X4	Hinge, 3"	542199480	P2	Bushing, Rubber, 1/2"ID x 3/4"OD x 3/4"
542196172	AA	Kit, Weight 2 Bar 70 Lbs	542199481	R1	Gearbox Model, Superior 1-Speed
542196173	L2	Hose, Water, 3/4"FGH x 66"	542199512	N2	Bracket, Actuator Connector, Black
542198778	X1	Blade Guard, 18" H Grey w/Decals CE	542199566	W	Hood, Air Inlet
542198812	P1	Spacer, Fan JD 4-Cyl	542199633	N1,N2	Disc, Slider - 2.75" Dia
542198842	N1	Wheel, Rear 10"Dia x 3"	542199639	Y	Port, Water Pump, 1/2 x 90 Deg
542198843	N1	Wheel Hub	542199640	Y	Grommet, Set
542198858	R1,R2,S	Pulley, 4.75" Taprd Bldshaft, 26"-30"	542199641	Y	Filter, Inlet
542198864	R1,R2,S	Flange, Inner 6" Dia, 36"	542199643	Y	Screen, Inlet Filter Strainer
542198865	R1,R2,S	Pulley, 5.6" Tapered Bladeshaft, 36"	542199646	Y	Plate, Water Pump Mount
542198866	R1,R2,S	Pulley, 4.12" Tapered Bladeshaft, 18"	542199648	Y	Switch, Toggle Single Pole
542198878	N1	Motor, Hyd Wheel	542199649	Y	Boot, Switch
542198915	B,U2	Bypass/Counterbalance Valve	542199652	Y	Bracket, Water Pump, Inlet
542198916	O2	Valve, Needle - Lift Cyl	542199657	Y	Hose Assy, 1/2"MGH
542198917	U2	Valve, Needle - Bypass	542199658	Y	Hose Assy, 3/4"FGH
542198927		Grommet, 1/2 x 1.25 OD	542199671	Y	Cord, Electrical - Water Pump
542198932	O2	Pin, Cylinder - Rear .75 Dia x 2.25	542199677	E3	Lanyard, 24" Nylon Coated
542198936	O1	Pin, Cylinder - Front	542199691	C,D,X3,AB	HHCS M16-2.0 x 140
542198949	U1	O-Ring, -042	542199692	D	Block, Baldshaft Spacer - Black
542198953	P2	Snap Ring, 1.375 Shaft	542199713	B	Decal, DEPTH INDICATOR SETTING
542198965	N1	Pivot Swivel, M12	542199714	B	Decal, DEPTH INDICATOR
542198975	P2	Armature, Mod.	542199741	V1	Hose, 6JF90L,4311-6 x14.5
542198996	C	Shield, Actuator - Black	542199749	H	Limiter Plate, Spd Contrl - CE
542199017	H	Mounting, Handlebar - RH	542199758	O2	Check Valve

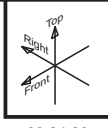
FS6800 YAN T3

PART NO.	POS.	DESCRIPTION	PART NO.	POS.	DESCRIPTION
542199836	R2	Gearbox, 3-Spd, SAE 4 - FS6600	725253471	B,C,Q2,Z	HHCS M12-1.75 x 25
542201048	Y	Installation Sheet: Water Pump	725253671	D	HHCS M12-1.75 x 30
542201113	R2	Inst Sht: Prox Switch	725253871	B	HHCS M12-1.75 x 35
542202184	A	Washer, Tube, 8mm	725254251	B	HHCS M12-1.75 x 50
542203258	X1	Blade Guard, Rear - 26"	725254271	D	HHCS M12-1.75 x 50
542203264	X1	Blade Guard, Front - 26"	725254451		HHCS M12-1.75 x 60
542203266	X1	Blade Guard, Slip-On, 26" - Compl	725254571	N1,N2	HHCS M12-1.75 x 65 DIN 933
542203297	X1	Blade Guard, Rear - 30"	725254671	D	HHCS M12-1.75 x 70 DIN 933
542203303	X1	Blade Guard, Front - 30"	725254871	O1	HHCS M12-1.75 x 80 DIN 933
542203305	X1	Blade Guard, Slip-On, 30" - Compl	725536601		SHCS M6-1.0 x 12
542203310	X1	Blade Guard, Rear - 36"	725545555	P2	SHCS+F765 M8-1.25 x 30 12/9 B/O
542203316	X1	Blade Guard, Front - 36"	731231601	X1,X2,AB	Nut, Hex M6-1.0 DIN 934
542203318	X1	Blade Guard, Slip-On, 36" - Compl	731231801	L1,Q1	Nut, Hex M8-1.25 DIN 934
542203335	X1	Cover, Flange	731432001	P4	Clamp, Hose SAE12
542205191	M	Extension, Pointer	732251401	A,Y	Locknut, Fiber M5-0.8
542205308	J	Bracket, Raise/Lower Switch	732251601	E2,J,Q1,X1,X2,	Locknut, Fiber M6-1.0
542205309	J	Toggle Switch - Compl	732251601	X3,AB	Locknut, Fiber M6-1.0
542206068	A	Hinge, Tube Pivot	732251801	A,B,E1,L1,S,T1,	Locknut, Fiber M8-1.25
542206073	A	Latch, 1/4-Turn, Slot Head	732251801	X1,X2,X3,AB	Locknut, Fiber M8-1.25
542206201	E3	Lanyard, Filter Retainer	732252001	C,M,X1	Locknut, Fiber M10-1.5
542206202	R2,S	Flange, Inner - 4.5"	732252201	B,C,Q1,X2,X3,Z,AA	Locknut, Fiber M12-1.75
542206244	T2	Hose, 5/16 ID x 44"	734115201	C,Q1,X4+E594	Washer, Flat M6
542206251	I	Spring, Extension	734115441	X1,X2	Washer, Flat M6 Large
542206258	P4	Shift Rod, Long	734116301	X1,X2	Washer, Flat M8
542206292	F1,F2	Nut, Connector	734116541	A,B	Washer, Flat M8 Large
542206293	F1,F2	Washer, Connector	734117201	A,B,C,Q1,X1	Washer, Flat M10
542206324	A	SBHCS M8-1.25 x 60	734117801	B,D,G,H,X2	Washer, Flat M12
542206356	Q1	Washer, Flat 2.50 x .657 x .188	735115301	A,Q1	Washer, Lock M6 DIN 127
542206393	S	Sprocket, 30-Tooth Bladeshft	735116401	A,B,E3,P4,Q1,T1,T2	Washer, Lock M8 DIN 127
542206416	P4	Stud, M10-1.5 x 25	735117301	A,C,D,M,P1,	Washer, Lock M10 DIN 127
542206417	F1,F2	LED - Red	735117301	P3,P4,AB	Washer, Lock M10 DIN 127
542206463	S	Bladeshft, w/Tach	735117801	B,C,D,N1,N2,Q1,Q2	Washer, Lock M12 DIN 127
542206478	R2	Pin, Dowel 5 x 50mm	740380801	R2,S	Washer, Sealing M6
542206479	S	Tube, Bladeshft w/Tach - FS6600	020366	NS	HHCS, .25-20 x .375
542206500	A	SBHCS M8-1.25 x 50	020540	NS	SHSS, .25-20 x .25 HK
542206510	A	Latch, Hood Spring	048740	NS	HHCS, .375-16 x 1.25
542206535	D,R1,R2,S	Bladeshft, FS6600 - Compl	160244	NS	HHCS, .3125-18 x .625
542206551	A	Frame Corner - RH	160980	NS	Trim
542206555	P4	Guard, Inner Belt - RH	172306	NS	HHCS M12-1.75 x 40 DIN931ZP
542206557	P4	Guard, Inner Belt - LH	188348	NS	SHCS M10x1.50x25mm LG
542206559	P3,P4	Bracket, Belt Guard	504836901	NS-Q1	Shield, Fan Top - RH
542206562	A	Guard, Flange	506747401	NS	Nut, Coupling, M8 x 38mm
542206566	A	Guard, Sheave	510271203	NS	Shield, Harness - Blk
542206569	A	Frame Corner - LH	521885301	NS	Decal, Oil Fill - Round
542206626	A	Panel, Insert - RH	521885302	NS	Decal, Oil, Overfill
542206628	A	Panel, Insert - LH	522535401	NS	Wire Assy, T3 Charge
542206634	R2	Kit, Prox Switch	522535402	NS	Wire Assy, T3 Glow Plug
542206639	A	Tube, Hinge	522812301	NS	Bracket, Radiator T3 - Blk
542206645	A	Pin, Tube Connector	525750001	NS	HHCS M12-1.75 x 140 DIN933 10.9
542206651	A	Cradle, Latch	539976941	NS	HHCS, 3/8-16 x 1-1/4
542206655	A	Latch, Hood	542199021	NS	Rubber Insulator
542206660	P1	Breather Vent w/ Small Hole	542199351	NS	SHCS M12 x 1.75 x 30mm
542206666	A,E1	Latch, Side Panel	542199360	NS	Hose, 4311-6.4311-6 x 14"
542206680	A,E1	Latch, Side Shield - RH	542202184	NS	WASHER, TUBE, 8mm, Z/P
725232971	A	HHCS M5-0.8 x 16	725245771	NS	HHCS M8-1.25 x 35
725233371	Y	HHCS M5-0.8 x 25	725248571	NS	HHCS M10-1.50 x 10
725236671	R2,S,X2	HHCS M6-1.0 x 12	725248971	NS	HHCS M10-1.50 x 16
725236871	X1	HHCS M6-1.0 x 16			
725237071	A,Q1,X1,X2,X3,AB	HHCS M6-1.0 x 20			
725237271	Q1	HHCS M6-1.0 x 25			
725237671	J	HHCS M6-1.0 x 35			
725237951	X1,X2	HHCS M6-1.0 x 45			
725244771	E2,E3,P4,Q1	HHCS M8-1.25 x 12			
725244971	Q1	HHCS M8-1.25 x 16			
725245171	Q1,T1,T2	HHCS M8-1.25 x 20			
725245371	A	HHCS M8-1.25 x 25			
725245376	X1,X2	HHCS M8-1.25 x 25 10.9			
725245776	A,P2	HHCS M8-1.25 x 35 10.9			
725246751	B	HHCS M8-1.25 x 80 DIN 931			
725249171	A	HHCS M10-1.50 x 20			
725249371	A,B,C,X1,AB	HHCS M10-1.50 x 25			
725249571	P1,P3,P4,Q1	HHCS M10-1.50 x 30			
725249771	P1	HHCS M10-1.50 x 35			
725249971	M	HHCS M10-1.50 x 40			
725250151	D,Q1	HHCS M10-1.50 x 50			
725251351	A	HHCS M10-1.50 x 110			
725253271	Q1,X2	HHCS M12-1.75 x 20			

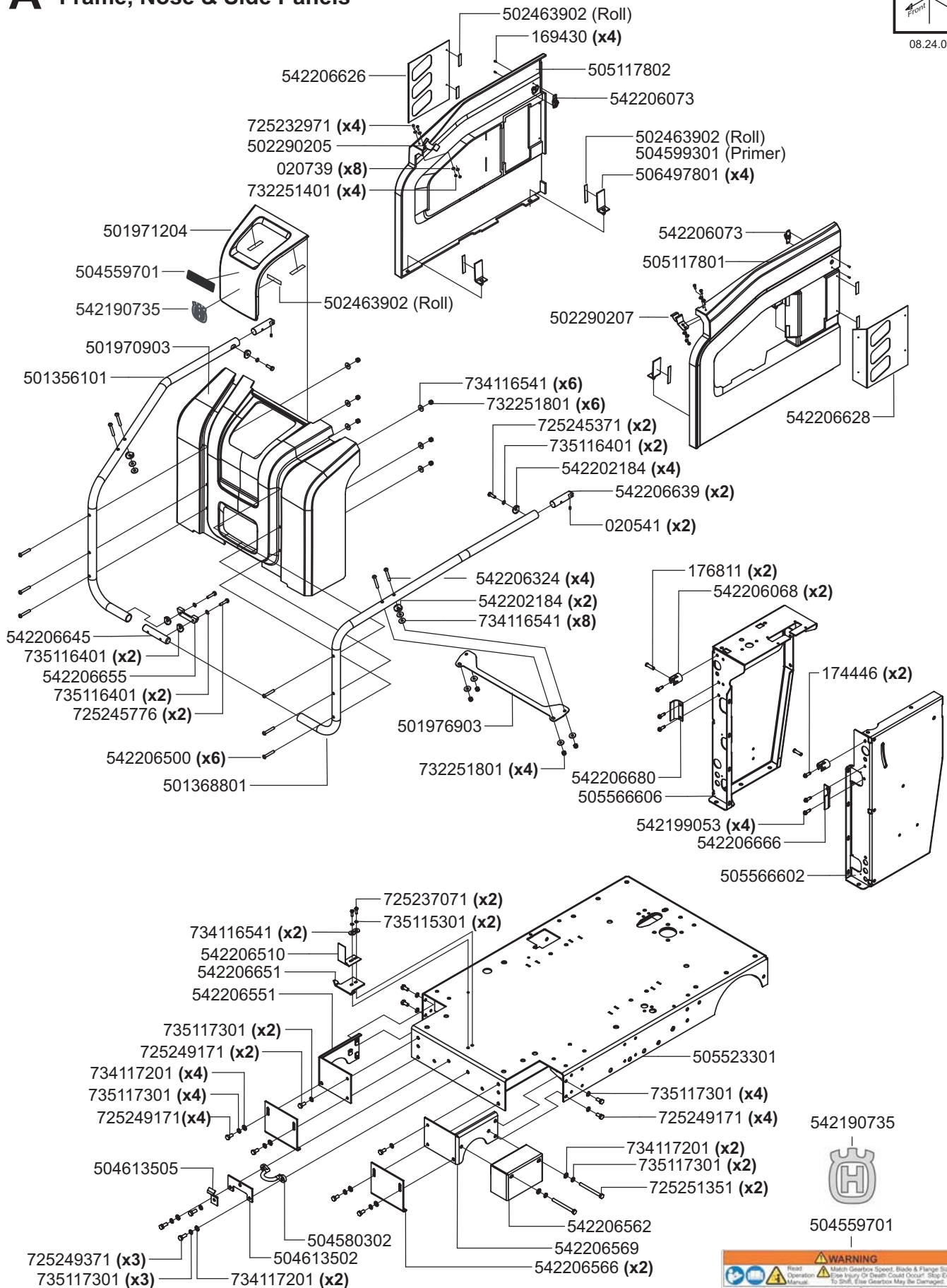
LEGEND

BHMS	Button Head Machine Screw
FLHMS	FLat Head Machine Screw
HHCS	Hex Head Cap Screw
HWHSTS	Hex Washer Head Self-Tapping Screw
RHMS	Round Head Machine Screw
SBHMS	Socket Button Head Machine Screw
SHCS	Socket Head Cap Screw
SHSS	Scocker Head Set Screw
STS	Self-Tapping Screw
PHCS	Pan Head Cap Screw
PHMS	Pan Head Machine Screw
PHSTS	Pan Head Self-Tapping Screw
FT	Full Thread
Gr	Grade

A Frame, Nose & Side Panels



08.24.09



WARNING

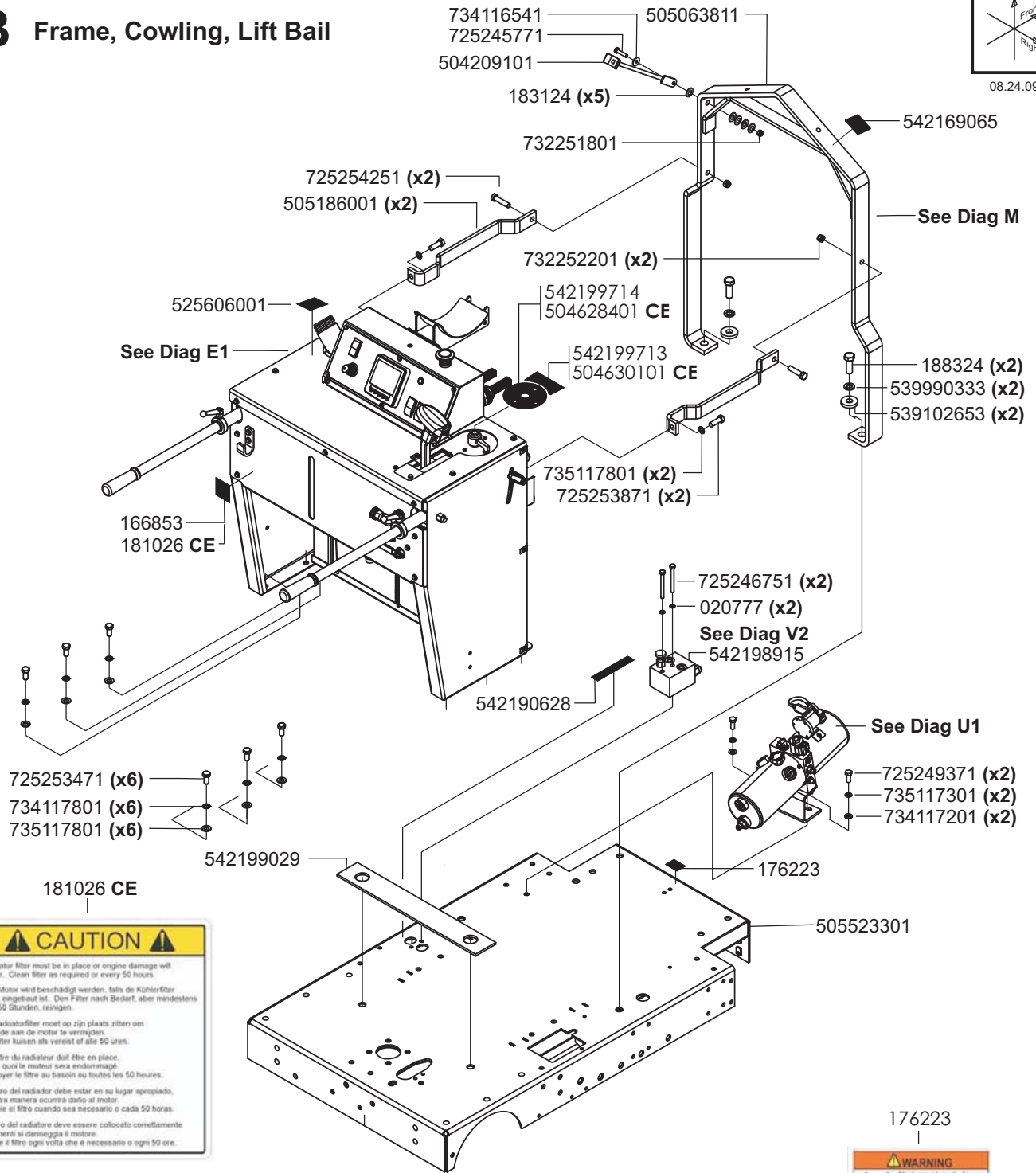
Read Operation Manual
Match Gearbox Speed, Blade & Flange Size!
⚠️ Avoid Injury Or Death! ⚠️ Stop Engine To Shift, Else Gearbox May Be Damaged!

1 Lift Detent Lock (Twist To Hold)
2 Shift Lever To Select Gear (In 1, 2, Or 3)
3 Lower Detent Lock

B Frame, Cowling, Lift Bail



08.24.09



CAUTION

Radiator filter must be in place or engine damage will occur. Clean filter as required or every 50 hours.

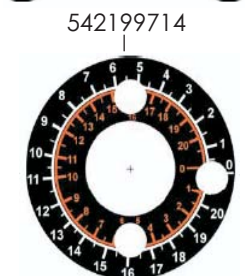
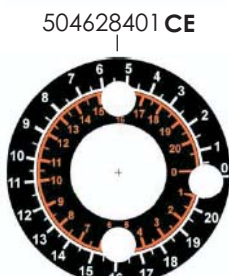
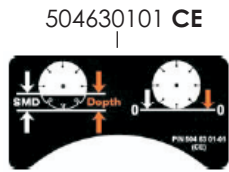
Der Motor wird beschädigt werden, falls der Kühlerfilter nicht eingebaut ist. Den Filter nach Bedarf, aber mindestens alle 50 Stunden, reinigen.

De radiatorfilter moet op zijn plaats zitten om schade aan de motor te vermijden. De filter kuisen als vereist of alle 50 uren.

Le filtre du radiateur doit être en place sans quoi le moteur sera endommagé. Nettoyer le filtre au besoin ou toutes les 50 heures.

El filtro del radiador debe estar en su lugar apropiado, de otra manera ocurrirá daño al motor. Limpie el filtro cuando sea necesario o cada 50 horas.

Il filtro del radiatore deve essere collocato correttamente altrimenti si danneggia il motore. Pulire il filtro ogni volta che è necessario o ogni 50 ore.



DIESEL
LOW OR ULTRA LOW
SULFUR FUEL ONLY

WARNING

Machinery Hazard - Always keep all guards in place. *Máquina en funcionamiento. Los capotes deben estar en posición.*

All guards must be in place. *Los capotes deben estar en posición.*

CAUTION

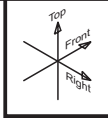
Radiator filter must be in place or engine damage will occur. Clean filter as required or every 50 hours.

WARNING

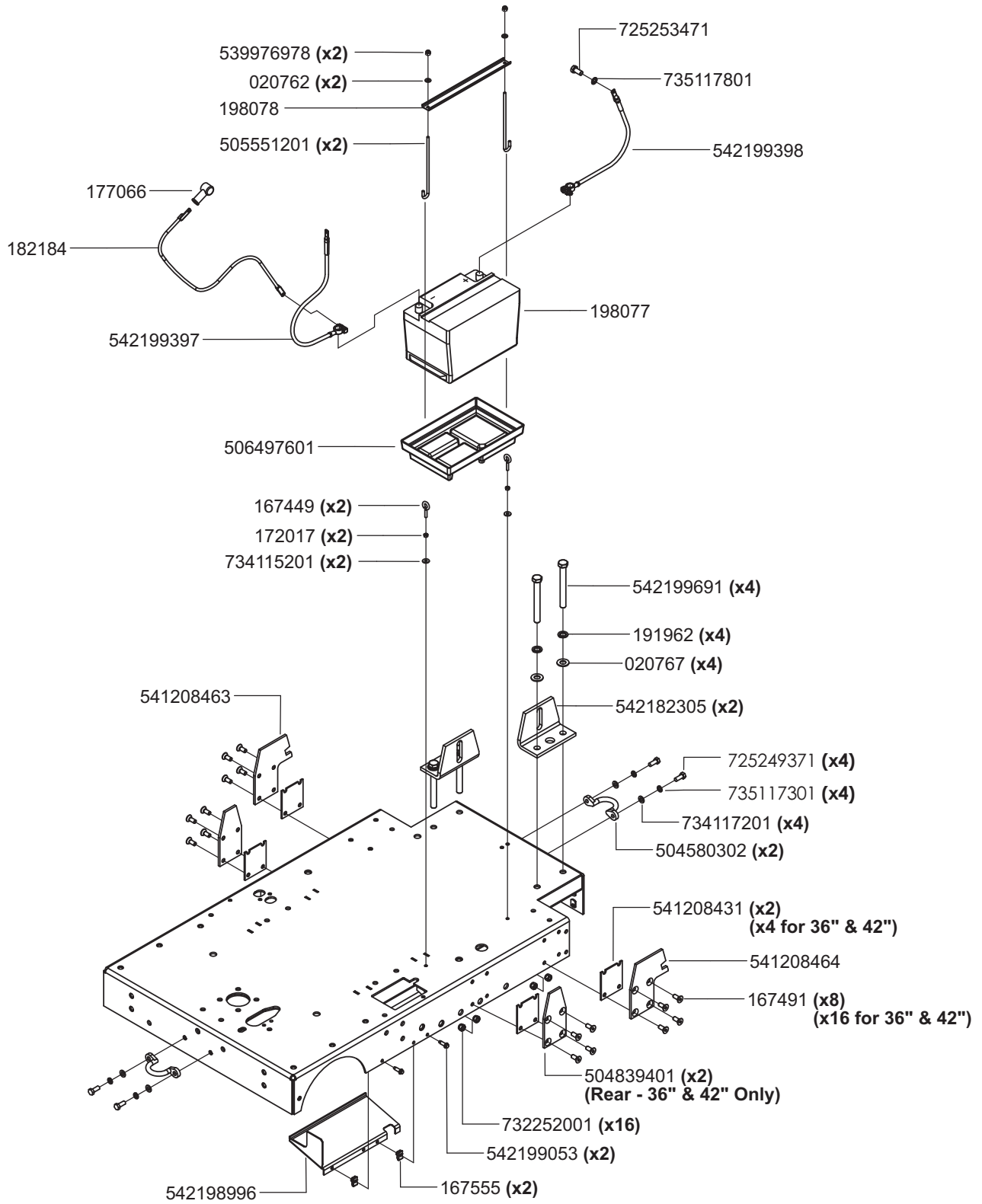
Muffler Is HOT! May Cause Burns And / Or Ignition Of Material. Avoid Contact!



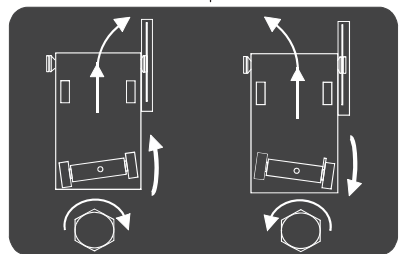
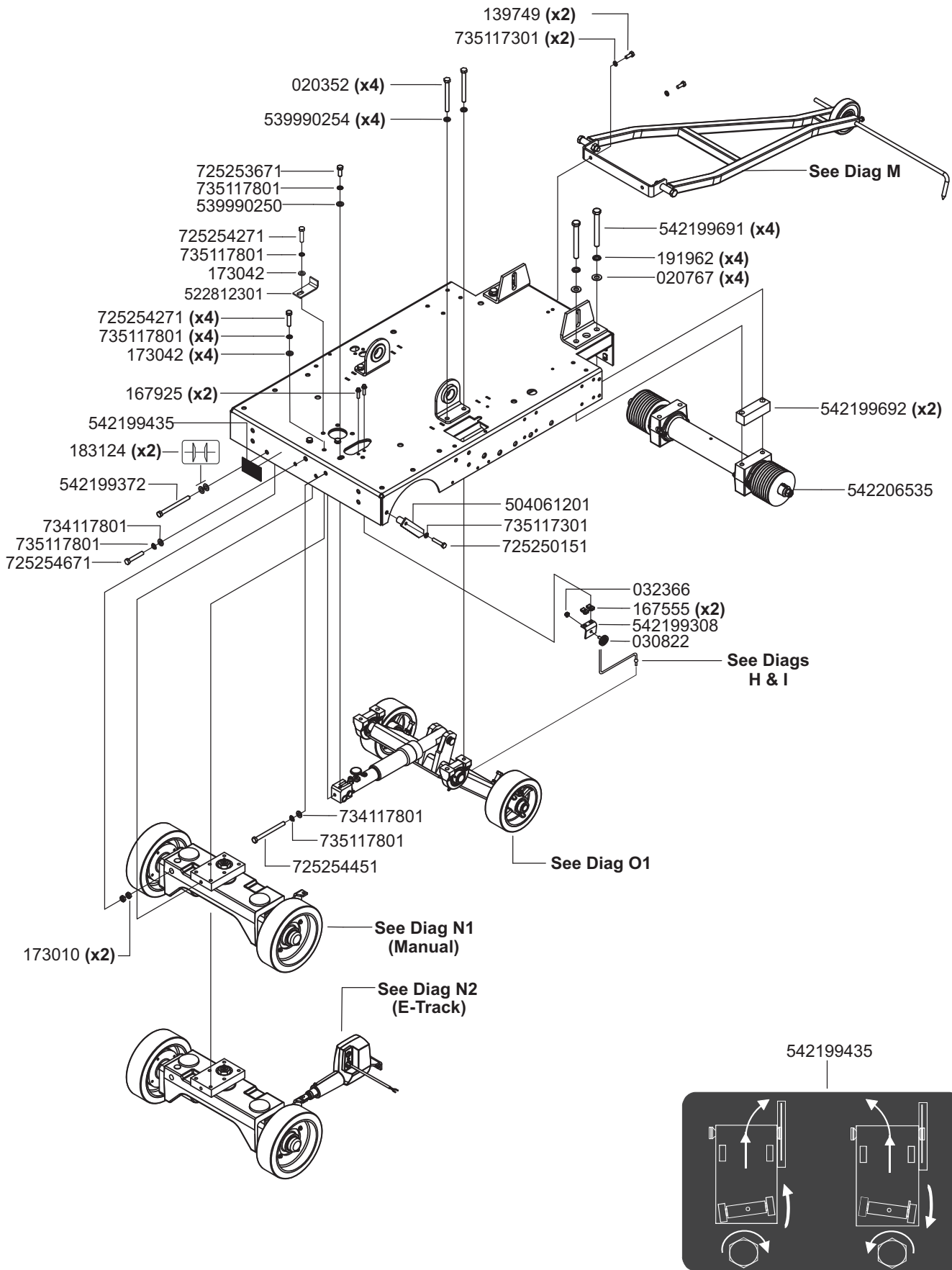
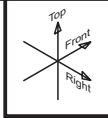
C Upper Frame



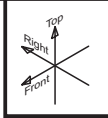
12.01.09



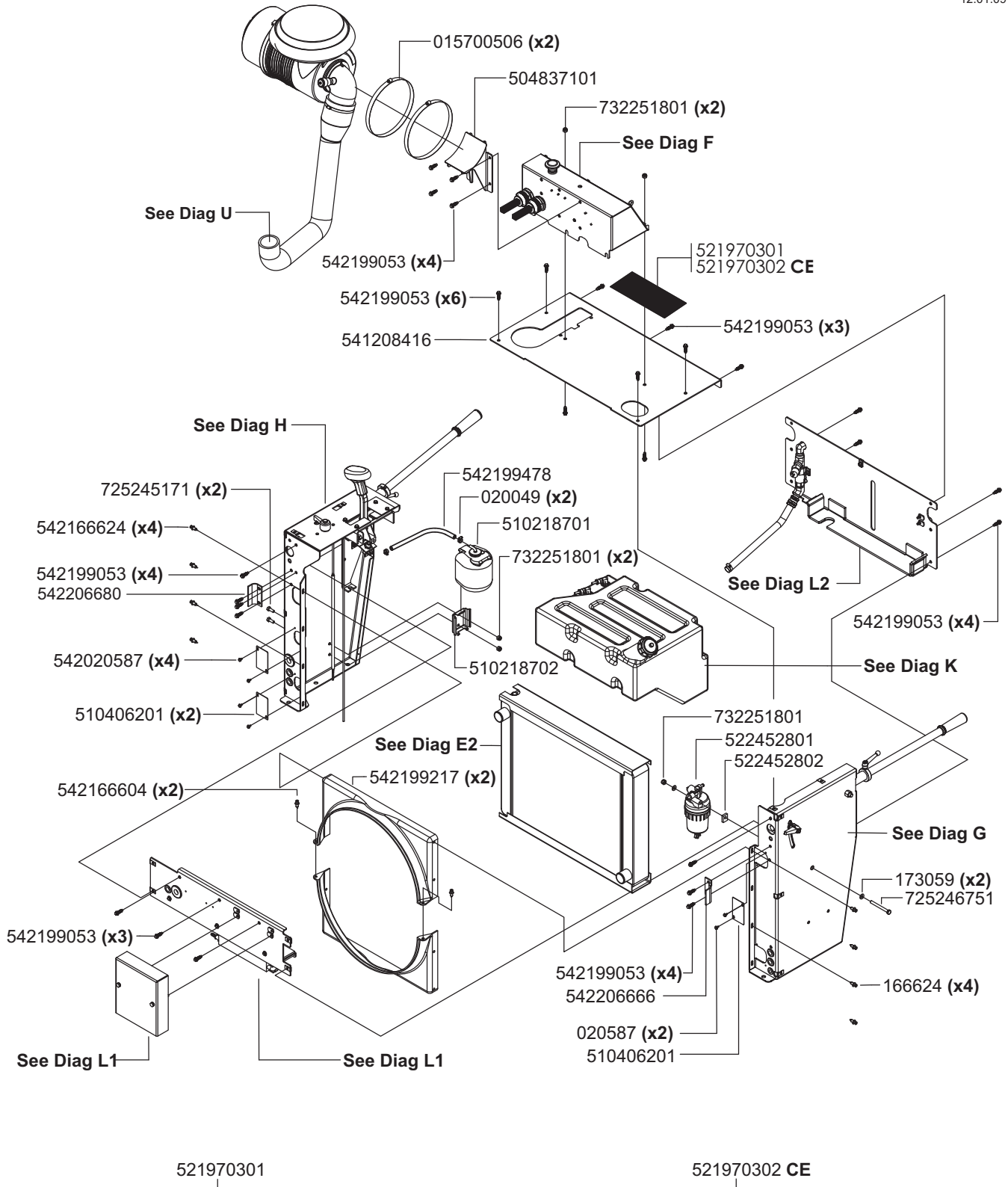
D Lower Frame with Pointers



E1 Cowling



12.01.09



WARNING

FAILURE TO FOLLOW THE WARNINGS AND INSTRUCTIONS BELOW MAY RESULT IN SERIOUS INJURY OR DEATH.

Read and understand the manual before operating the machine. Do not use the machine if you are not familiar with the instructions. **DO NOT USE AN OPERATOR WHO IS NOT TRAINED AND CERTIFIED.**

MANUAL CALL TOUS RISQUES

Ne lisez pas le manuel avant d'utiliser la machine. Ne lisez pas le manuel si vous n'êtes pas familiarisé avec les instructions. **N'UTILISER PAS UN OPÉRATEUR NON FORMÉ ET CERTIFIÉ.**

MANUAL LEESE ALLE GEVAAR

Niet lezen van de handleiding vóór het gebruik van de machine. Niet gebruiken als u niet bekend bent met de instructies. **NIET GEBRUIKEN DOOR NIET OEFENDE EN GECERTIFICEERDE PERSONEN.**

MANUAL LEER OLAZ ERABARRIO

Lehaz ezazu erabilera-aren aurretik irakurri erabilera-aren liburuak. Ez erabili erabilera-aren liburuak ez badituzue erabilera-aren instrukzioak onartzen. **ERABILERA-AREN LIBURUAK ONARTZEN DITUZULEN ERABILTZAILE ONBETATUTAKO PERSOIAK.**

MANUAL LEER OLAZ ERABARRIO

Lehaz ezazu erabilera-aren aurretik irakurri erabilera-aren liburuak. Ez erabili erabilera-aren liburuak ez badituzue erabilera-aren instrukzioak onartzen. **ERABILERA-AREN LIBURUAK ONARTZEN DITUZULEN ERABILTZAILE ONBETATUTAKO PERSOIAK.**

Always wear safety glasses, hearing aid, and respiratory protection.

Never use damaged blades or equipment.

Never operate the machine in areas of combustible material.

Always use the machine only in well-ventilated areas.

Cutting height - Always keep all areas of your body away from blades and other moving parts. **DO NOT ATTEMPT TO REPAIR THE MACHINE.**

Always operate with both hands on the handle.

Never start behind or in front of the blade path while the engine is running.

Always use blades kept in pairs for each blade set. Never use damaged or worn blades. Always use the machine without a blade in place.

Never touch, jam, wedge or test blades in use. Never use any cutting blade without adequate support to hold it in place.

Always use the correct blade for the type of work being done. Check with the blade manufacturer for full details of the blade's use.

Always use caution when refueling.

Always use caution when starting and stopping the machine. Lift up from the P-Link. Never use the P-Link to start the machine. Always use the correct machine when refueling.

Never touch the machine while it is running. Never touch any other persons near the machine when operating.

Never hold this machine down or strike with the back of the blade in the open forward position. Only hold the machine down at the P-Link.

Refer to operator's manual for additional information concerning safety operation and maintenance.

FORWARD
STOP
REVERSE
RAISE BLADE
LOWER BLADE

WARNING DIE WARNUNG WAARSCHUWING AVERTISSEMENT ADVERTENCIA AVVERTIMENTO

Read and understand the manual before operating the machine. Do not use the machine if you are not familiar with the instructions. **DO NOT USE AN OPERATOR WHO IS NOT TRAINED AND CERTIFIED.**

MANUAL CALL TOUS RISQUES

Ne lisez pas le manuel avant d'utiliser la machine. Ne lisez pas le manuel si vous n'êtes pas familiarisé avec les instructions. **N'UTILISER PAS UN OPÉRATEUR NON FORMÉ ET CERTIFIÉ.**

MANUAL LEESE ALLE GEVAAR

Niet lezen van de handleiding vóór het gebruik van de machine. Niet gebruiken als u niet bekend bent met de instructies. **NIET GEBRUIKEN DOOR NIET OEFENDE EN GECERTIFICEERDE PERSONEN.**

MANUAL LEER OLAZ ERABARRIO

Lehaz ezazu erabilera-aren aurretik irakurri erabilera-aren liburuak. Ez erabili erabilera-aren liburuak ez badituzue erabilera-aren instrukzioak onartzen. **ERABILERA-AREN LIBURUAK ONARTZEN DITUZULEN ERABILTZAILE ONBETATUTAKO PERSOIAK.**

MANUAL LEER OLAZ ERABARRIO

Lehaz ezazu erabilera-aren aurretik irakurri erabilera-aren liburuak. Ez erabili erabilera-aren liburuak ez badituzue erabilera-aren instrukzioak onartzen. **ERABILERA-AREN LIBURUAK ONARTZEN DITUZULEN ERABILTZAILE ONBETATUTAKO PERSOIAK.**

Always wear safety glasses, hearing aid, and respiratory protection.

Never use damaged blades or equipment.

Never operate the machine in areas of combustible material.

Always use the machine only in well-ventilated areas.

Cutting height - Always keep all areas of your body away from blades and other moving parts. **DO NOT ATTEMPT TO REPAIR THE MACHINE.**

Always operate with both hands on the handle.

Never start behind or in front of the blade path while the engine is running.

Always use blades kept in pairs for each blade set. Never use damaged or worn blades. Always use the machine without a blade in place.

Never touch, jam, wedge or test blades in use. Never use any cutting blade without adequate support to hold it in place.

Always use the correct blade for the type of work being done. Check with the blade manufacturer for full details of the blade's use.

Always use caution when refueling.

Always use caution when starting and stopping the machine. Lift up from the P-Link. Never use the P-Link to start the machine. Always use the correct machine when refueling.

Never touch the machine while it is running. Never touch any other persons near the machine when operating.

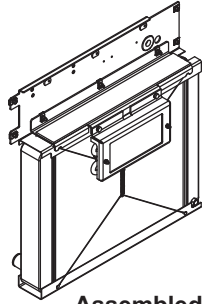
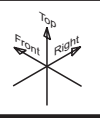
Never hold this machine down or strike with the back of the blade in the open forward position. Only hold the machine down at the P-Link.

Refer to operator's manual for additional information concerning safety operation and maintenance.

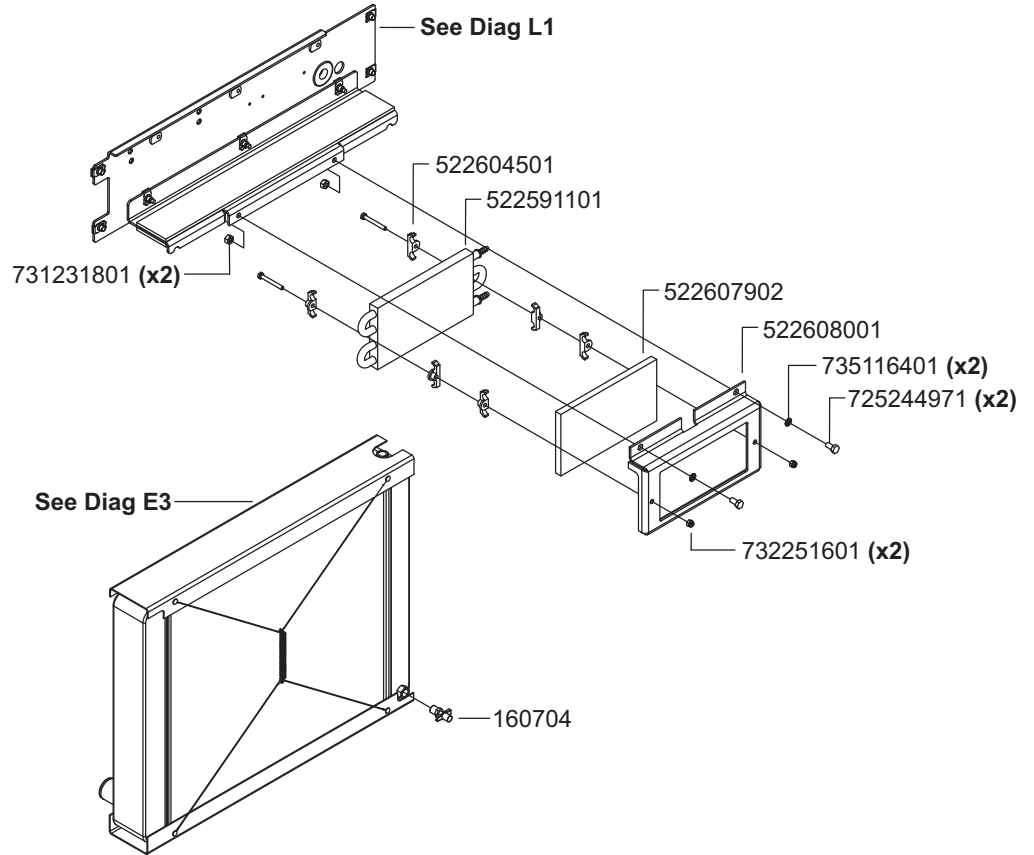
FORWARD
STOP
REVERSE
RAISE BLADE
LOWER BLADE

E2 Fuel Cooler

See Diag E1

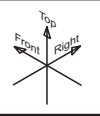


Assembled

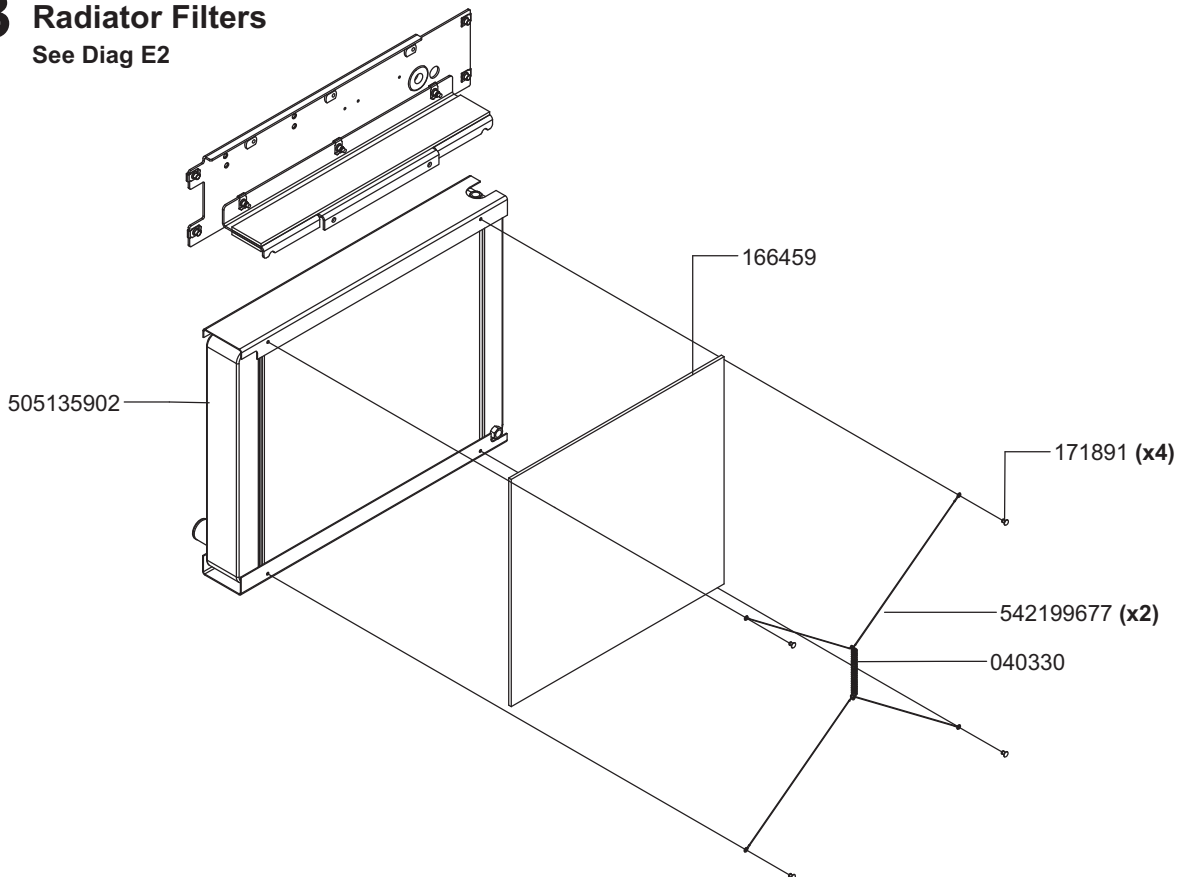


E3 Radiator Filters

See Diag E2

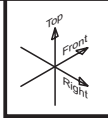


12.01.09

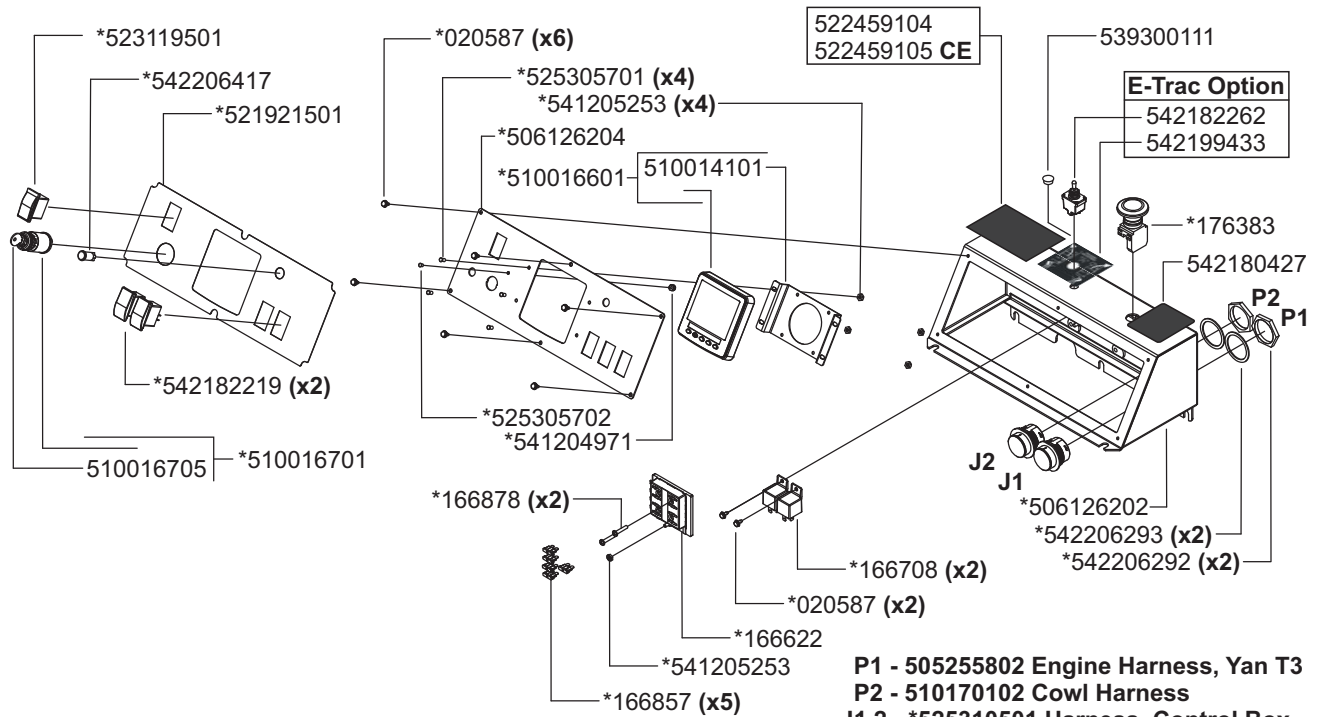


F1 Instrument Panel - 1-Speed

*506126201 - Compl



08.01.09



P1 - 505255802 Engine Harness, Yan T3
P2 - 510170102 Cowl Harness
J1,2 - *525310501 Harness, Control Box
[Incls: 522891901 Node Kit]
See Operator's Manual for Wiring Diagrams

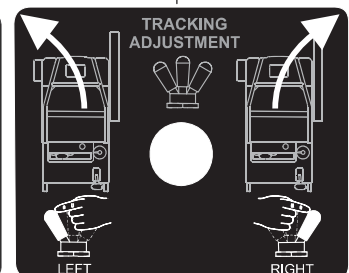
522459104

ENGINE SPEED / BLADE SIZE					
BLADE SIZE	FLANGE SIZE	BLADE SHAFT		YANMAR ENGINE SPEED	
		LOADED RPM	PULLEY SIZE	RATED RPM	PULLBY SIZE
14"	5"	2400	4.12"	2500	5.40"
20"	5"	2400	4.12"	2500	5.40"
26"	5"	1850	4.75"	2500	4.12"
30"	5"	1600	4.75"	2500	4.12"
36"	6"	1350	5.60"	2500	3.85"
42"	7"	1120	6.4"	2500	3.85"

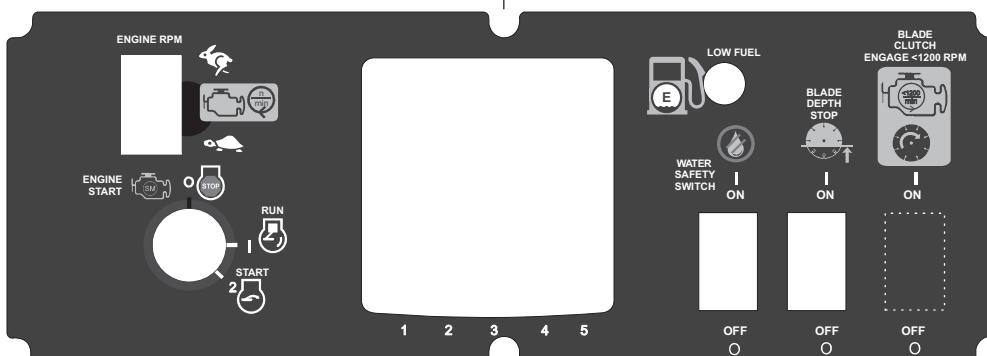
522459105 CE

450 mm	127 mm	105 mm	2400	400 - 450 mm	137 mm	2500		
650 mm	127 mm	120 mm	1850	600 - 650 mm	121 mm	2500		
750 mm	127 mm	120 mm	1600	700 - 750 mm	105 mm	2500		
900 mm	152 mm	142 mm	1350	750 - 900 mm	98 mm	2500		
1050 mm	178 mm	163 mm	1120	1000 - 1050 mm	98 mm	2500		

542199433



521921501

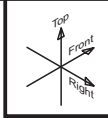


542180427

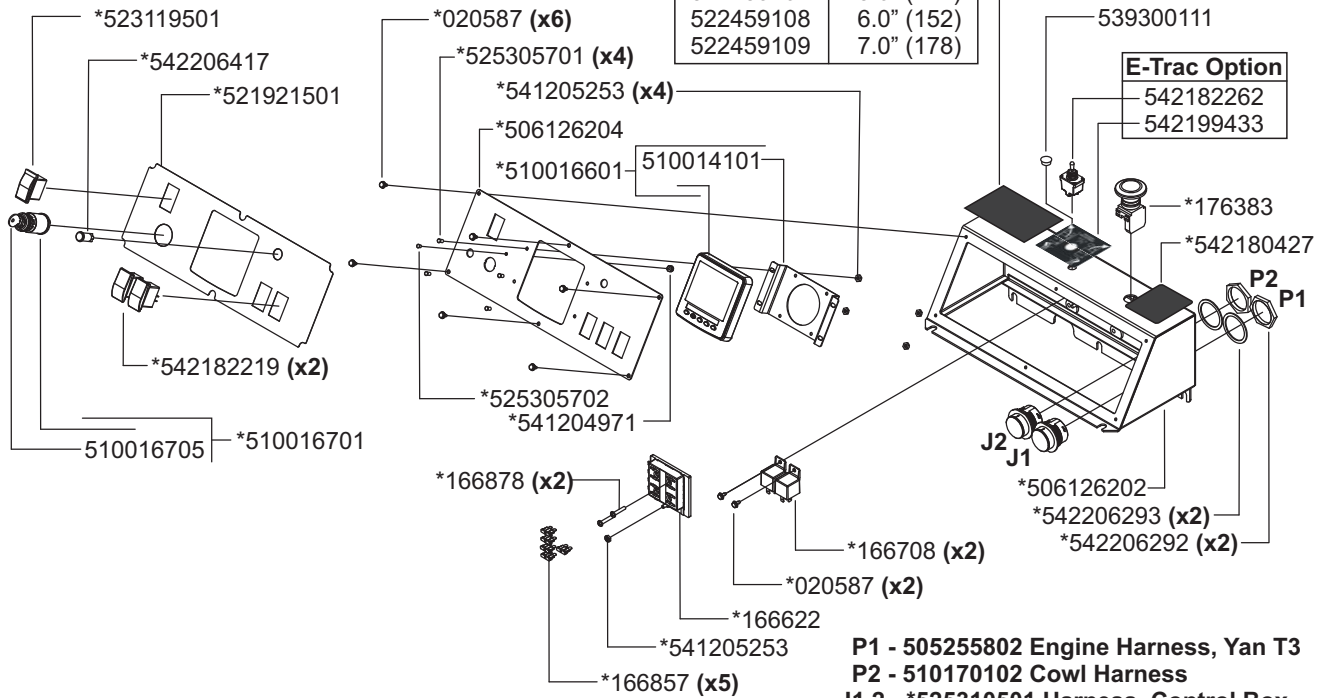
Covered By One Or More
 Of The Following
 U.S. Patents:
 4333685, 4333686, 4744604,
 4827559, 4921308, 4968099,
 4986604, 5241946, 5381780,
 5477844, 5680854, 5690391,
 5743247, 5809985, 5810448,
 D337037, D346104, D369816,
 D371373, D379094, 6886344
 Other U.S. And Foreign
 Patents Pending

F2 Instrument Panel - 3-Speed

*506126201 - Compl



G-Box Range / Blade RPM	
Decal No	Flange Dia Inch (mm)
522459106	4.5" (114)
522459107	5.0" (127)
522459108	6.0" (152)
522459109	7.0" (178)



P1 - 505255802 Engine Harness, Yan T3
P2 - 510170102 Cowl Harness
J1,2 - *525310501 Harness, Control Box
[Incls: 522891901 Node Kit]
See Operator's Manual for Wiring Diagrams

GEARBOX RANGE/BLADE RPM (14-26, FS 6800 YANMAR) P/N 522459106					
FLANGE SIZE	BLADE SIZE (Maximum)	GEARBOX RANGE		BLADE RPM	ENGINE RPM
		GEAR	PULLEY	RPM	PULLEY
4.50" / 114 mm	14" / 350 mm	3	1	3100	4.12" / 105 mm
	20" / 500 mm	2	2	2200	2500
	26" / 660 mm	1	3	1830	

522459106

GEARBOX RANGE / BLADE RPM (18-30, FS 6800 YANMAR) P/N 522459107					
FLANGE SIZE	BLADE SIZE (Maximum)	GEARBOX RANGE		BLADE RPM	ENGINE RPM
		GEAR	PULLEY	RPM	PULLEY
5.00" / 127 mm	18" / 450 mm	3	1	2600	4.12" / 105 mm
	26" / 660 mm	2	2	1830	2500 (RATED)
	30" / 760 mm	1	3	1570	

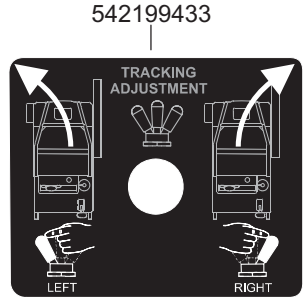
522459107

GEARBOX RANGE / BLADE RPM (20-36, FS 6800 YANMAR) P/N 522459108					
FLANGE SIZE	BLADE SIZE (Maximum)	GEARBOX RANGE		BLADE RPM	ENGINE RPM
		GEAR	PULLEY	RPM	PULLEY
6.00" / 152 mm	20" / 500 mm	3	1	2260	4.75" / 121 mm
	30" / 760 mm	2	2	1580	2500 (RATED)
	36" / 900 mm	1	3	1360	

522459108

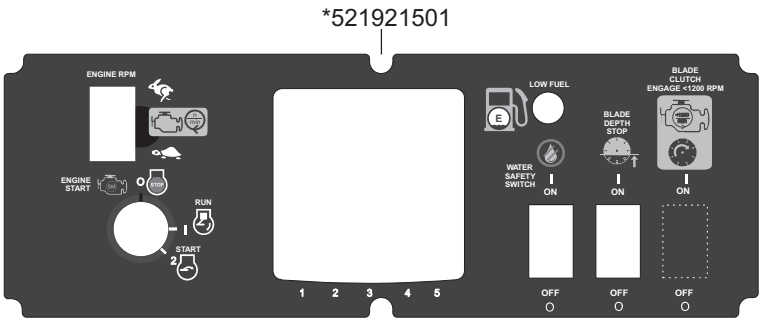
GEARBOX RANGE / BLADE RPM (26-42, FS 6800 YANMAR) P/N 522459109					
FLANGE SIZE	BLADE SIZE (Maximum)	GEARBOX RANGE		BLADE RPM	ENGINE RPM
		GEAR	PULLEY	RPM	PULLEY
7.00" / 178 mm	26" / 660 mm	3	1	1910	5.80" / 142 mm
	36" / 900 mm	2	2	1350	2500 (RATED)
	42" / 1060 mm	1	3	1160	

522459109



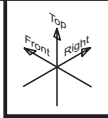
542180427

Covered By One Or More Of The Following U.S. Patents:
 4333685, 4333686, 4744604, 4827559, 4921308, 4968099, 4986604, 5241946, 5381780, 5477844, 5680854, 5690391, 5743247, 5809985, 5810448, D337037, D346104, D369816, D371373, D379094, 6986344
 Other U.S. And Foreign Patents Pending

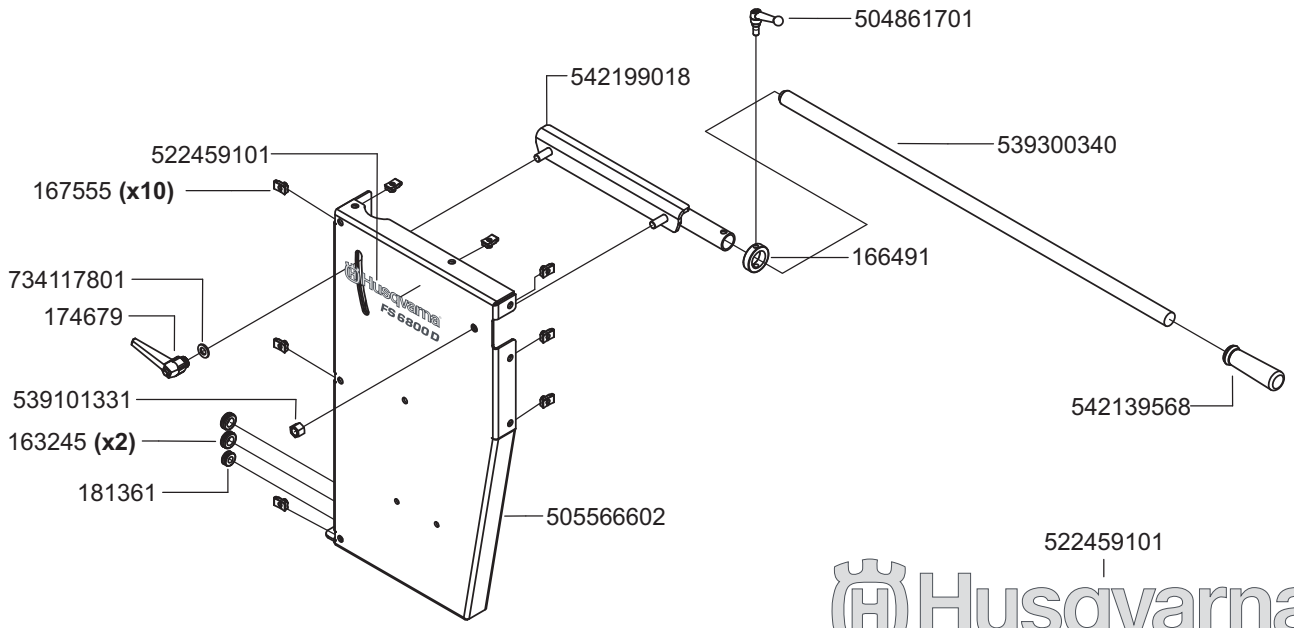


G Cowling Side - L.H.

See Diag E1



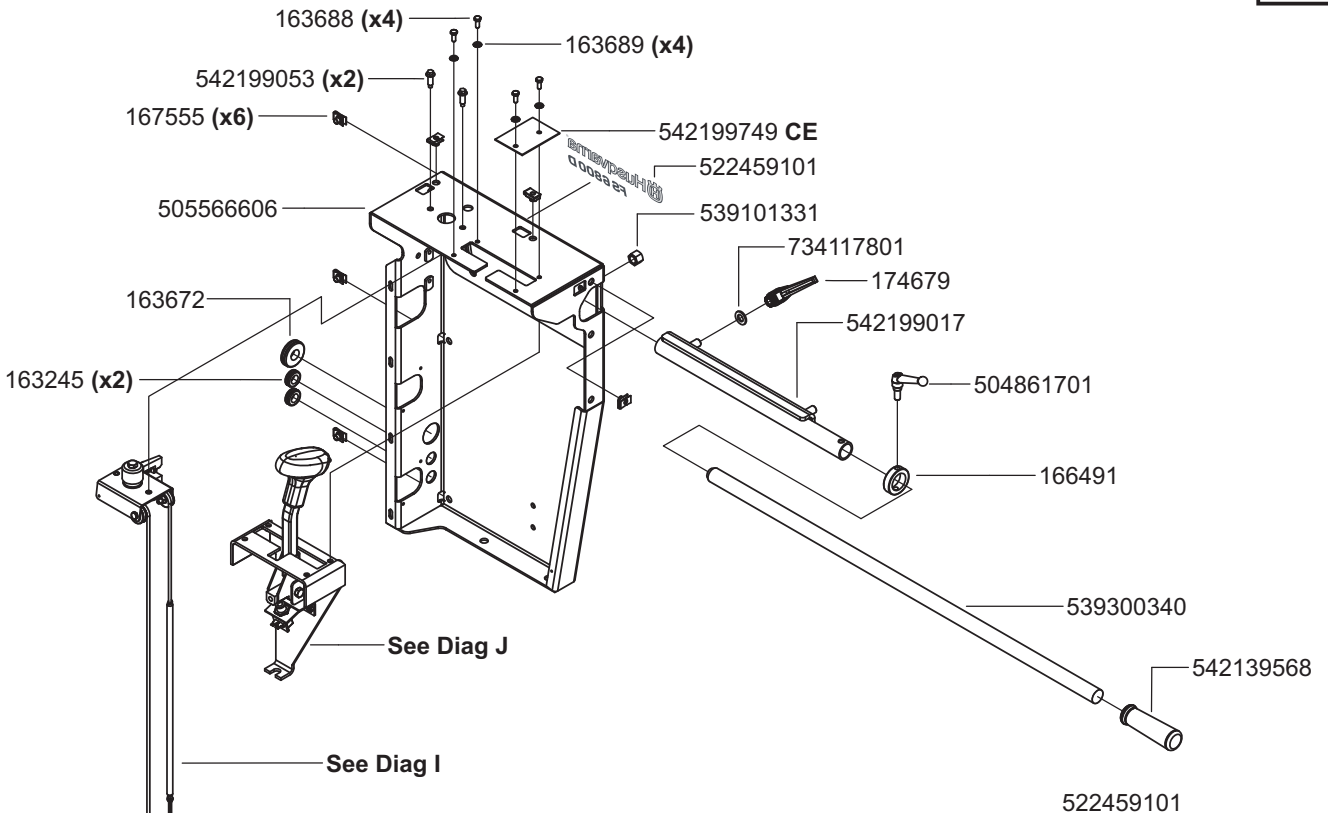
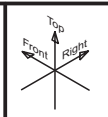
08.18.09



522459101
 Husqvarna®
FS 6800 D

H Cowling Side - R.H.

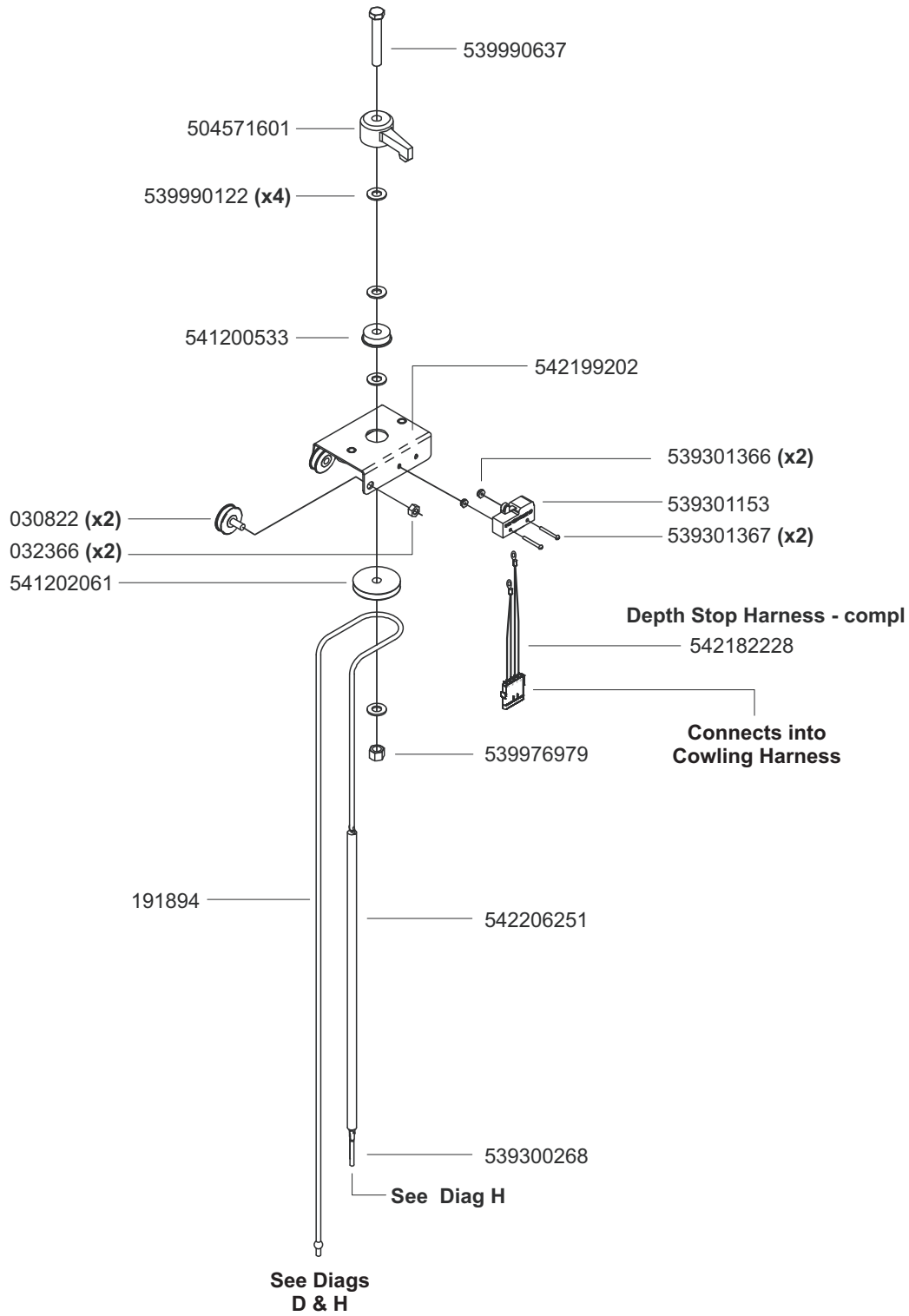
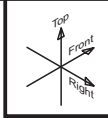
See Diag E1



522459101
 Husqvarna®
FS 6800 D

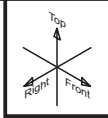
Depth Indicator

See Diag H



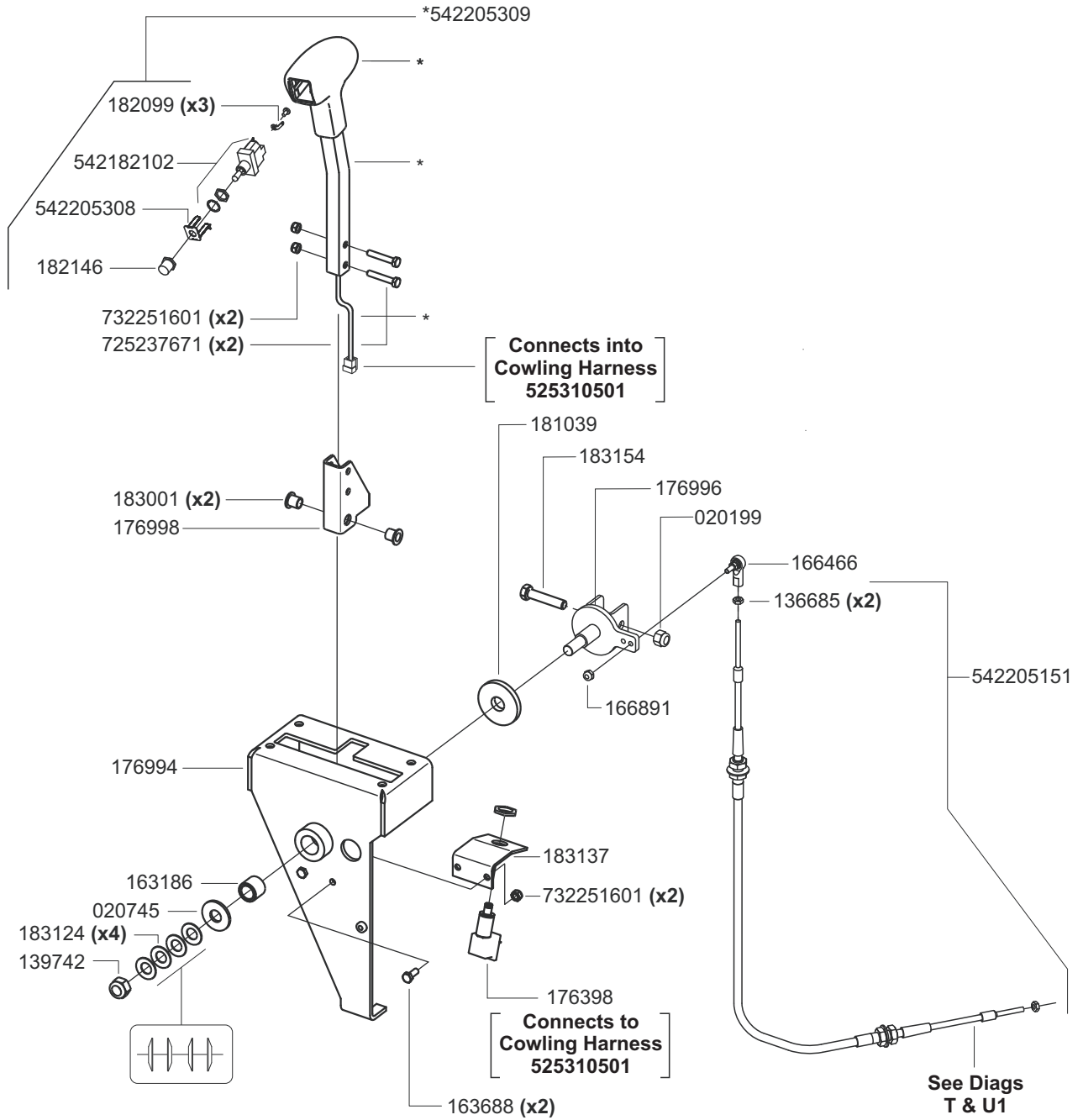
J Speed Control

Speed Control - Compl 521929522
See Diag H



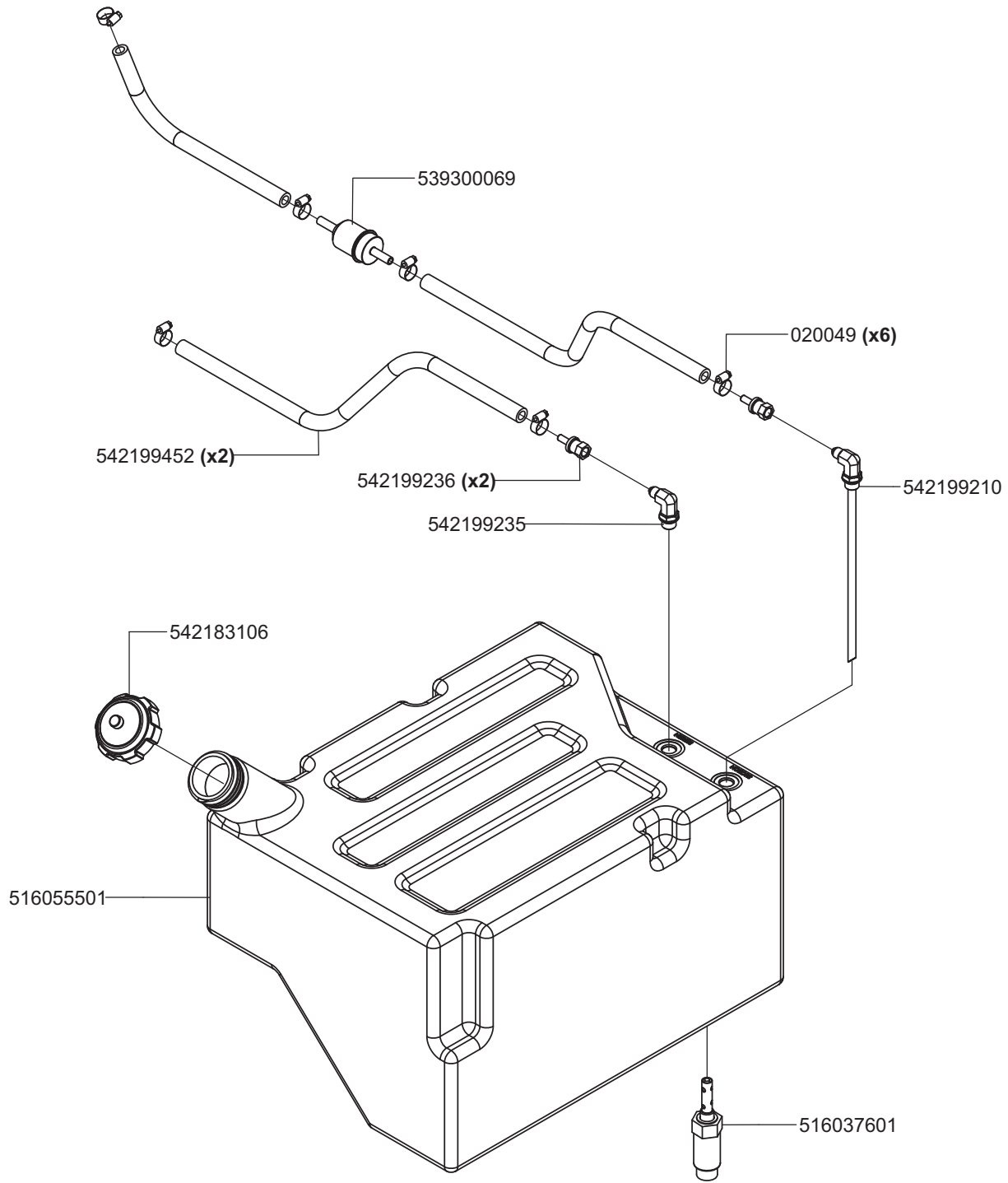
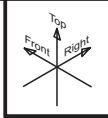
08.24.09

*Handle & Switch - Compl 542199222



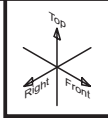
K Fuel Tank

See Diag E

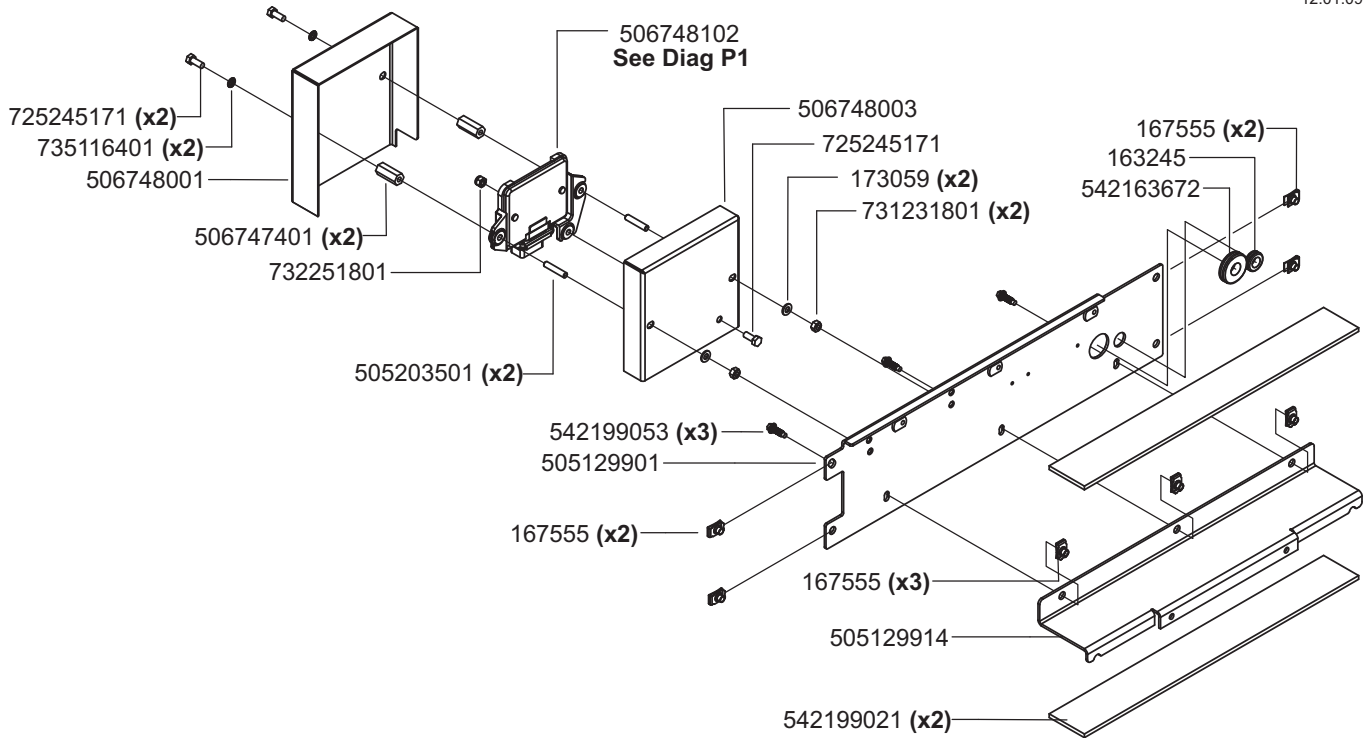


L1 Cowling - Front

See Diag E1

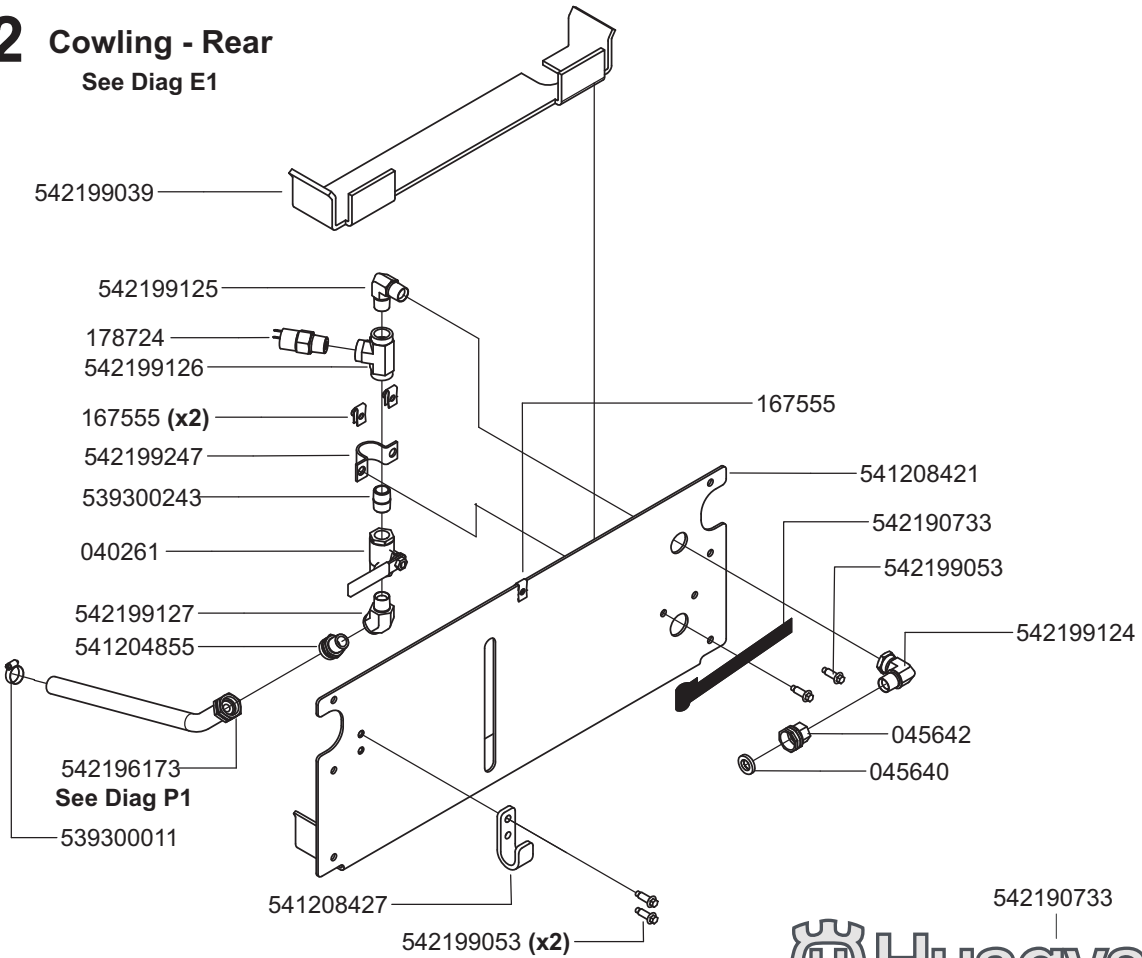
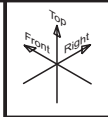


12.01.09

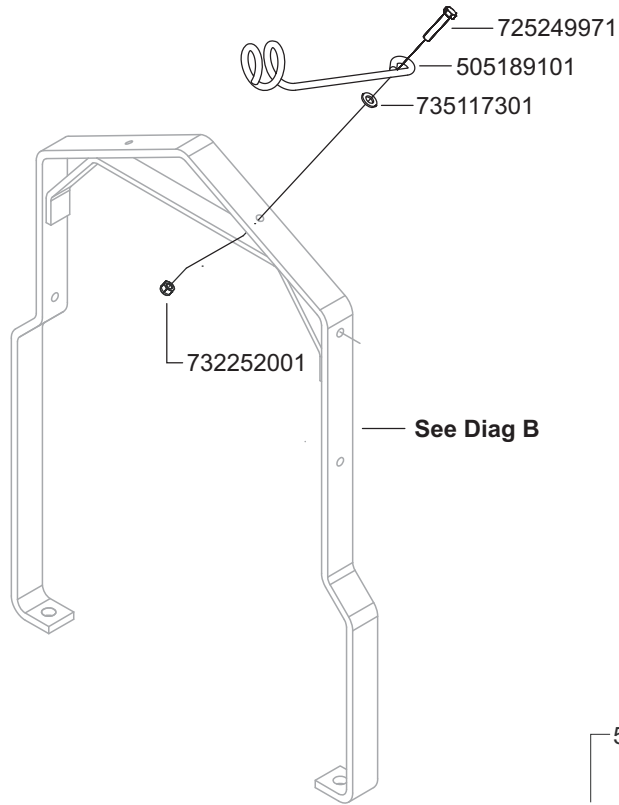
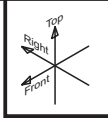


L2 Cowling - Rear

See Diag E1

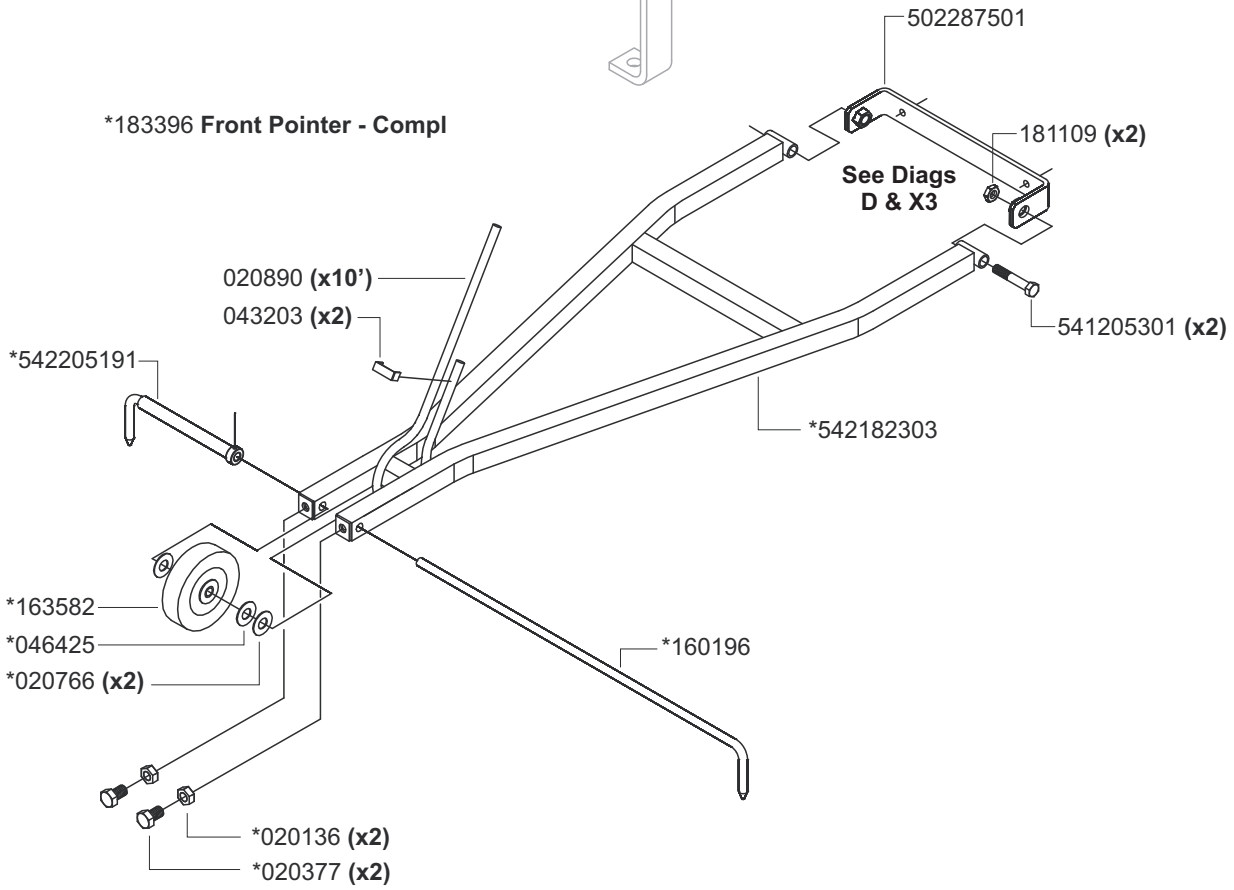


M Front Pointer & Rope Guide



See Diag B

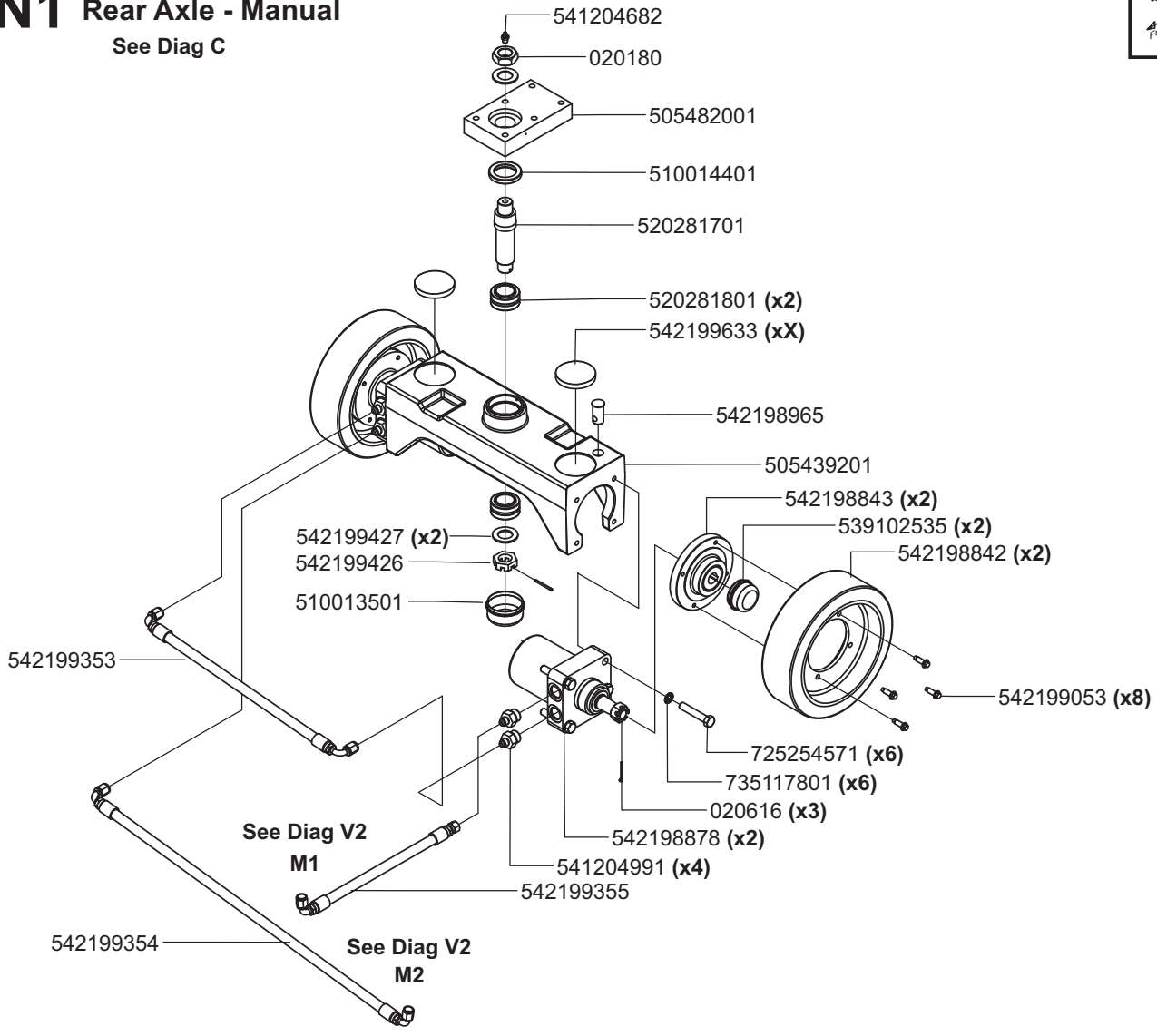
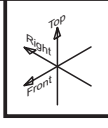
*183396 Front Pointer - Compl



See Diags D & X3

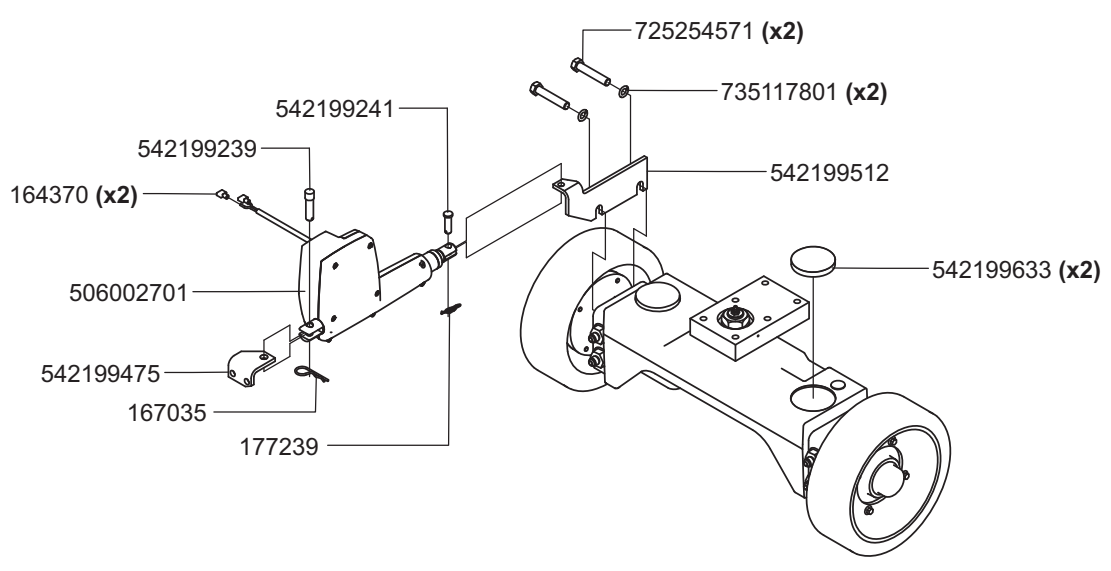
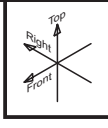
N1 Rear Axle - Manual

See Diag C



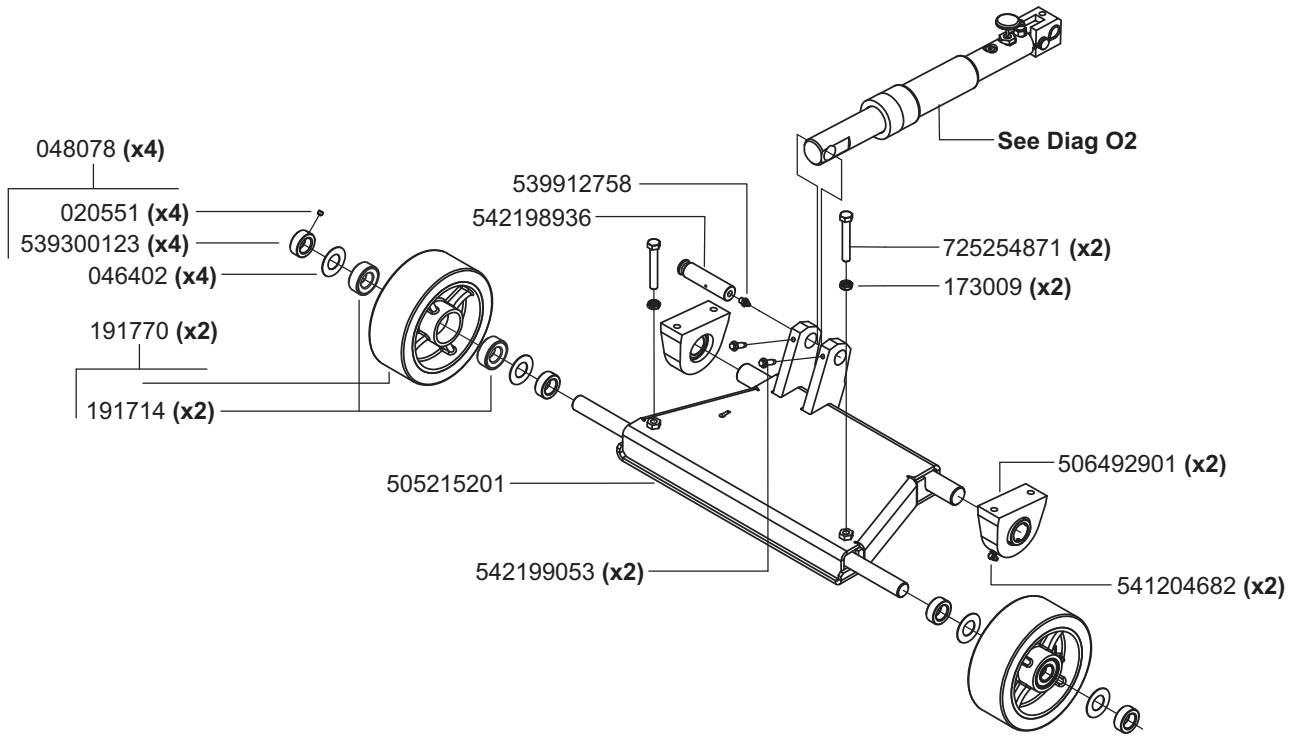
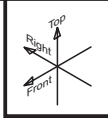
N2 Rear Axle - E-Track

See Diag C



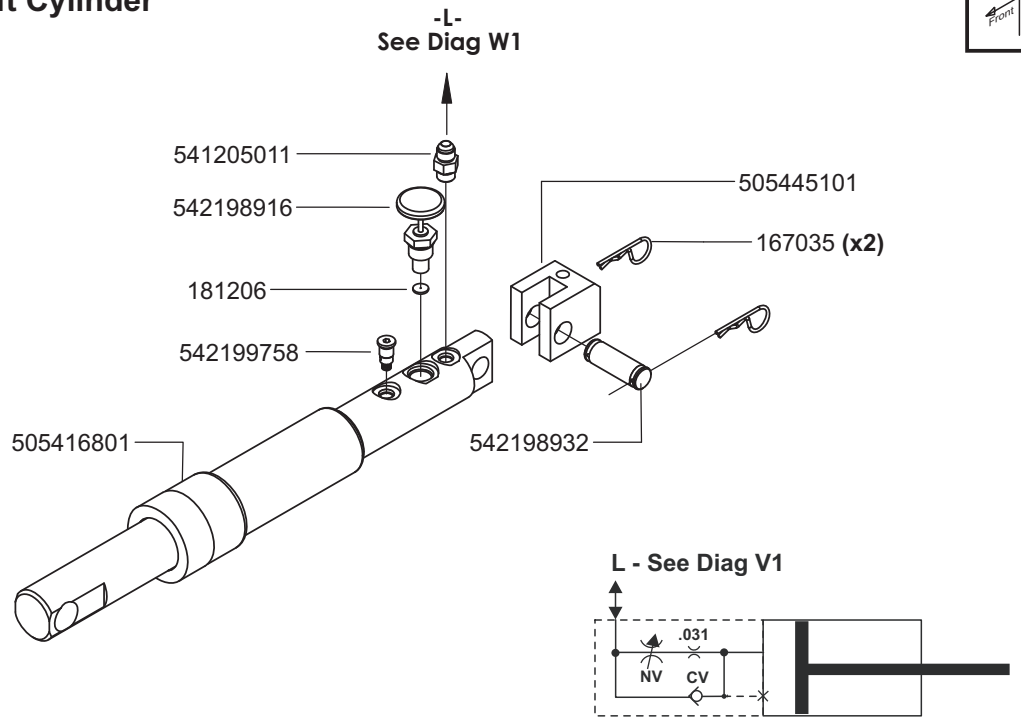
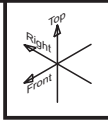
O1 Front Axle

See Diag D



O2 Hydraulic Lift Cylinder

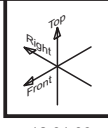
See Diag O1



HYDRAULIC SCHEMATIC
(See OperatorsManual)

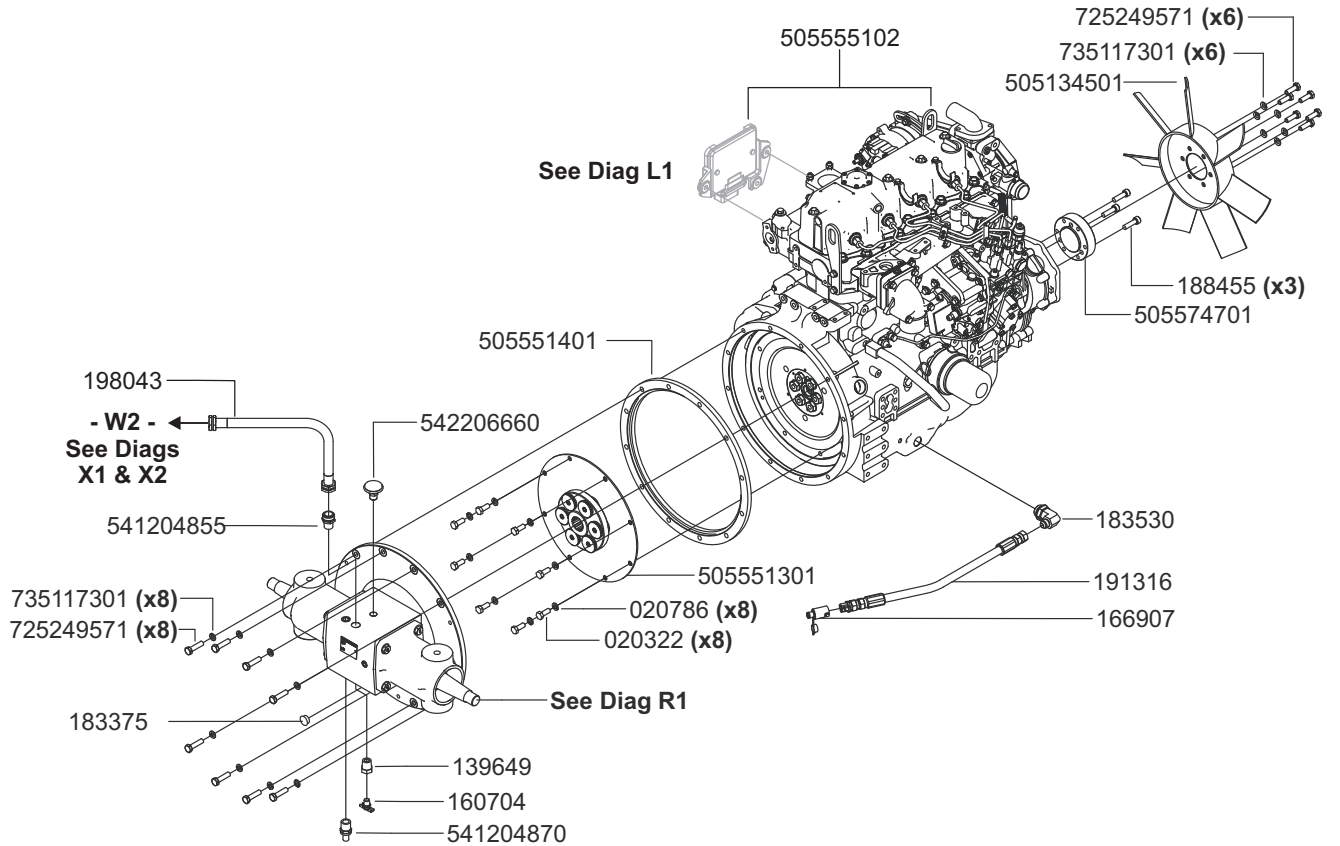
P1 Engine, Fan & Gearbox

**** 1-Speed ****



12.01.09

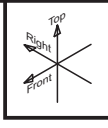
Apply Loctite 246



NOTE: Drain water when Temperature below 32°F (0°C).

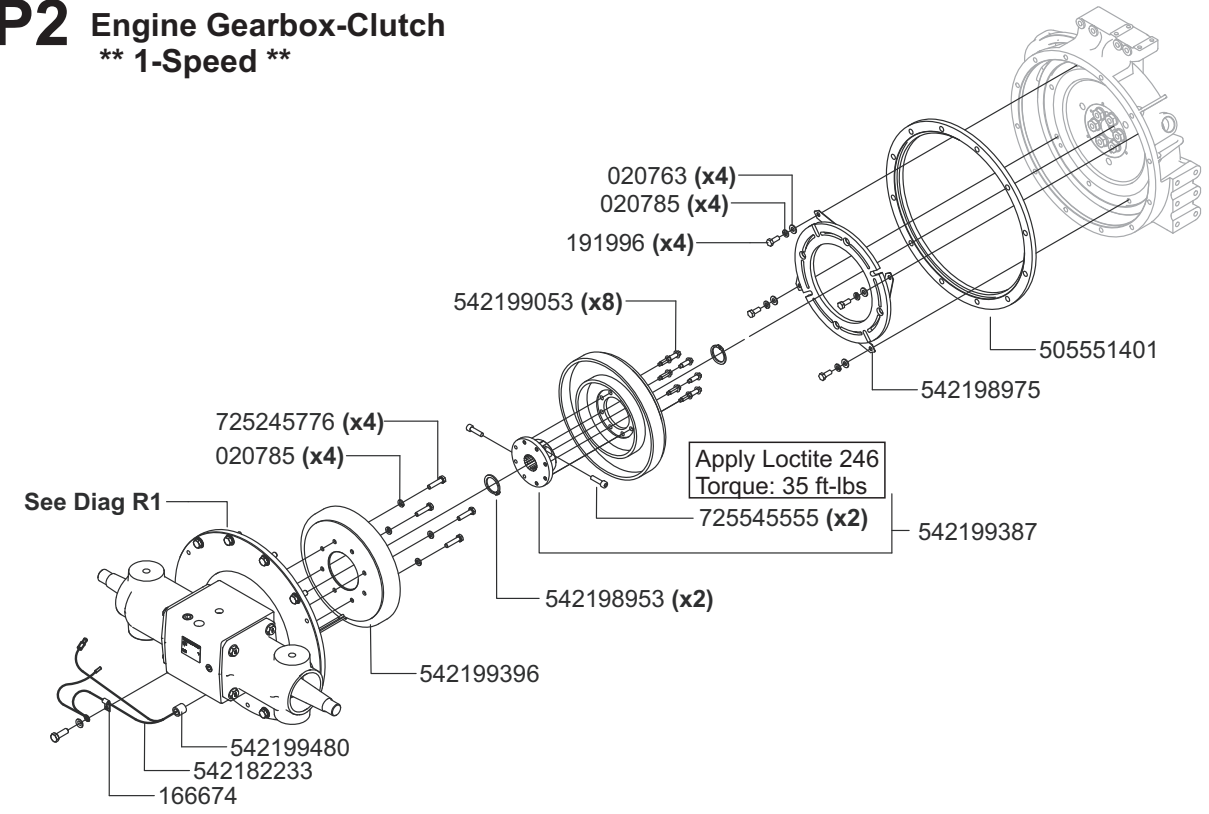
P2 Engine Gearbox-Clutch

**** 1-Speed ****



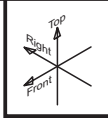
12.01.09

Apply Loctite 246
Torque: 35 ft-lbs

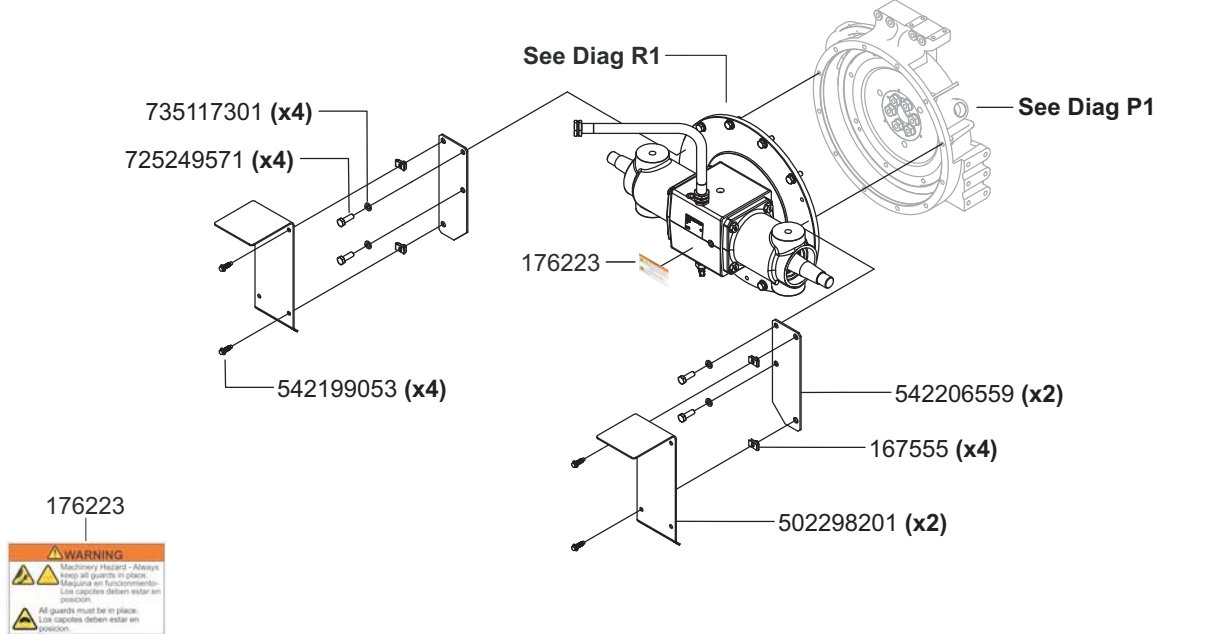


P3 Gearbox & Belt Guard

**** 1-Speed ****



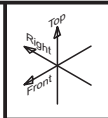
08.01.09



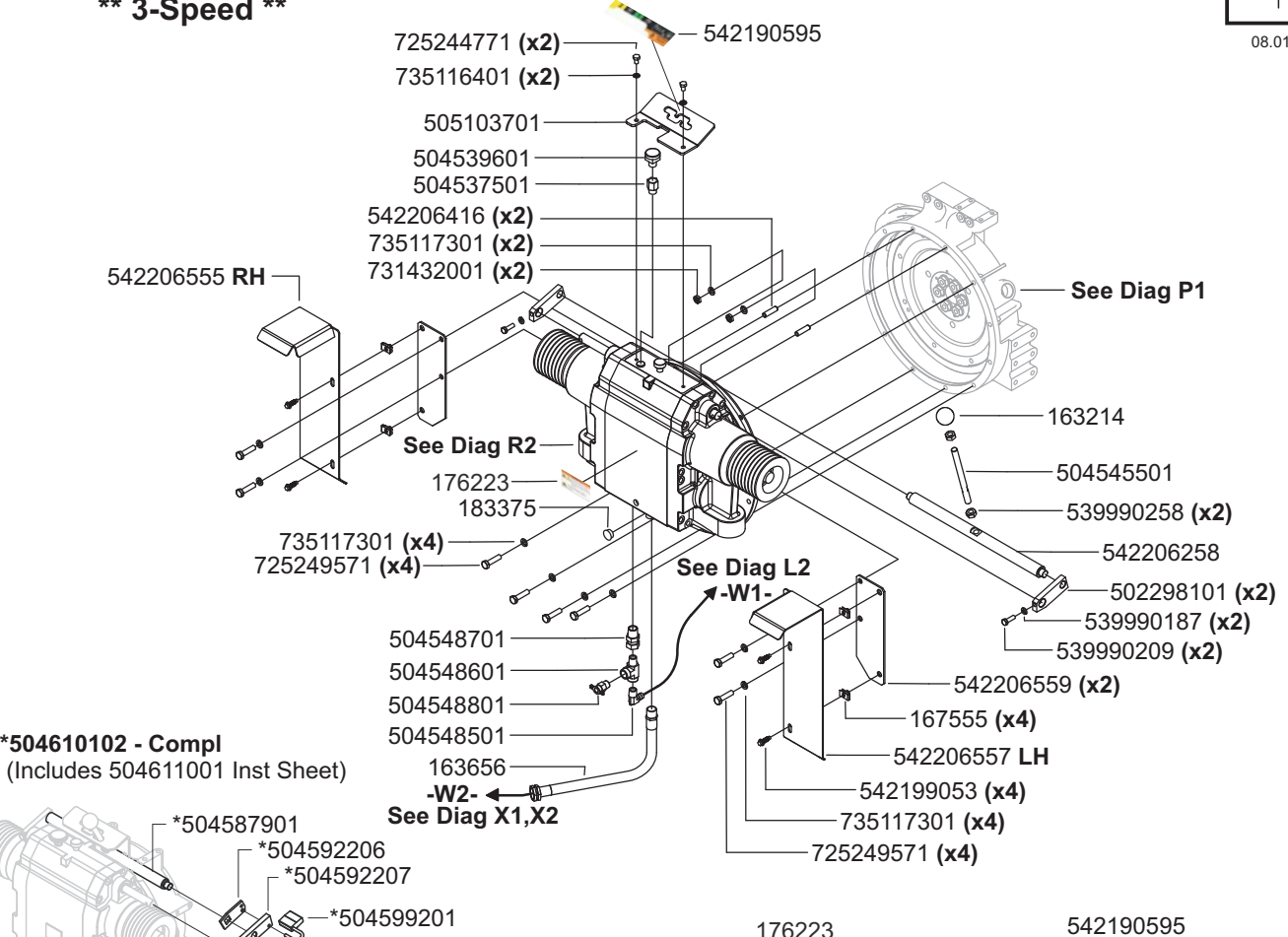
WARNING
 Machinery Hazard - Always keep all guards in place. *Máquina en funcionamiento. Los captores deben estar en posición.*
 All guards must be in place. *Los captores deben estar en posición.*

P4 Gearbox & Belt Guard

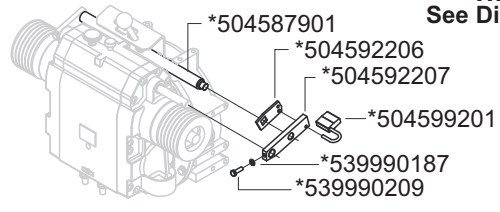
**** 3-Speed ****



08.01.09



***504610102 - Compl**
 (Includes 504611001 Inst Sheet)

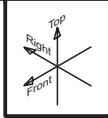


WARNING
 Machinery Hazard - Always keep all guards in place. *Máquina en funcionamiento. Los captores deben estar en posición.*
 All guards must be in place. *Los captores deben estar en posición.*

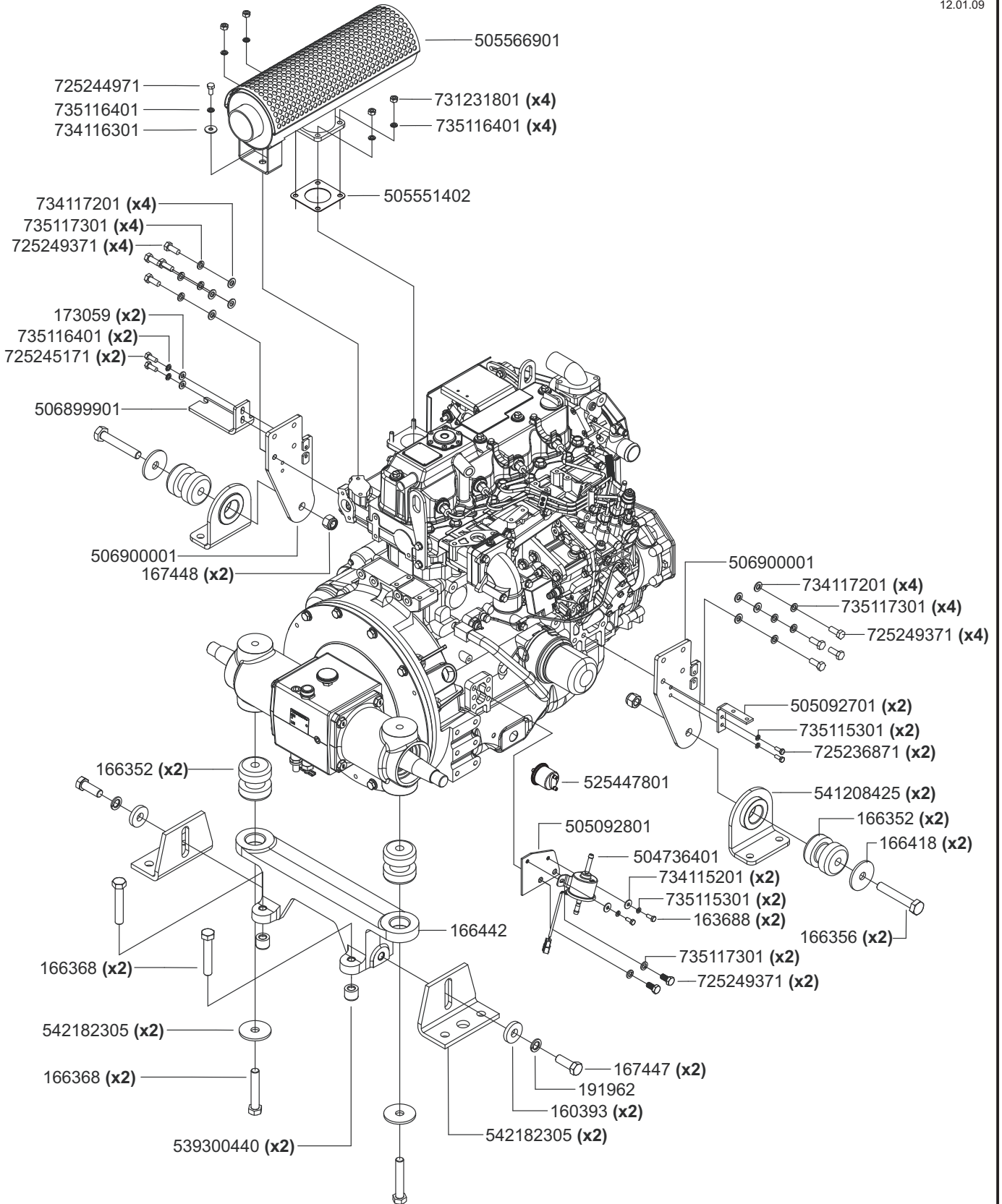


NOTE: Drain water when Temperature below 32°F (0°C).

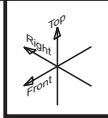
Q1 Engine Mounting, Guards & Muffler



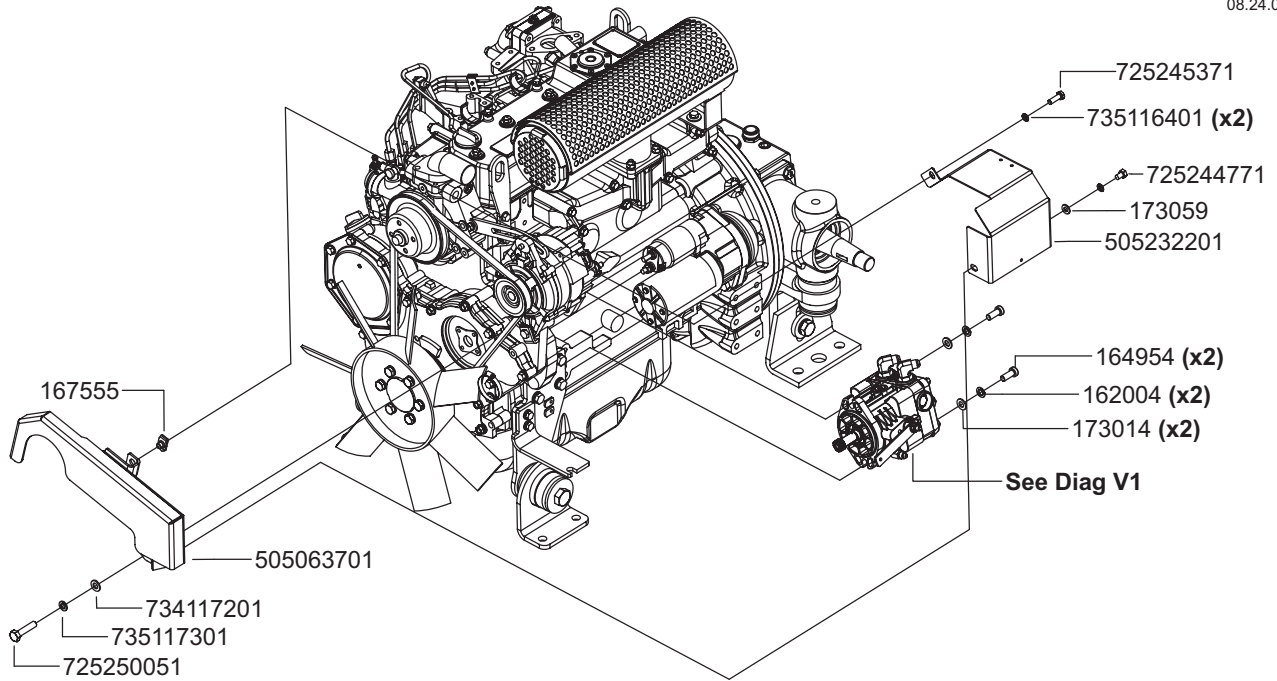
12.01.09



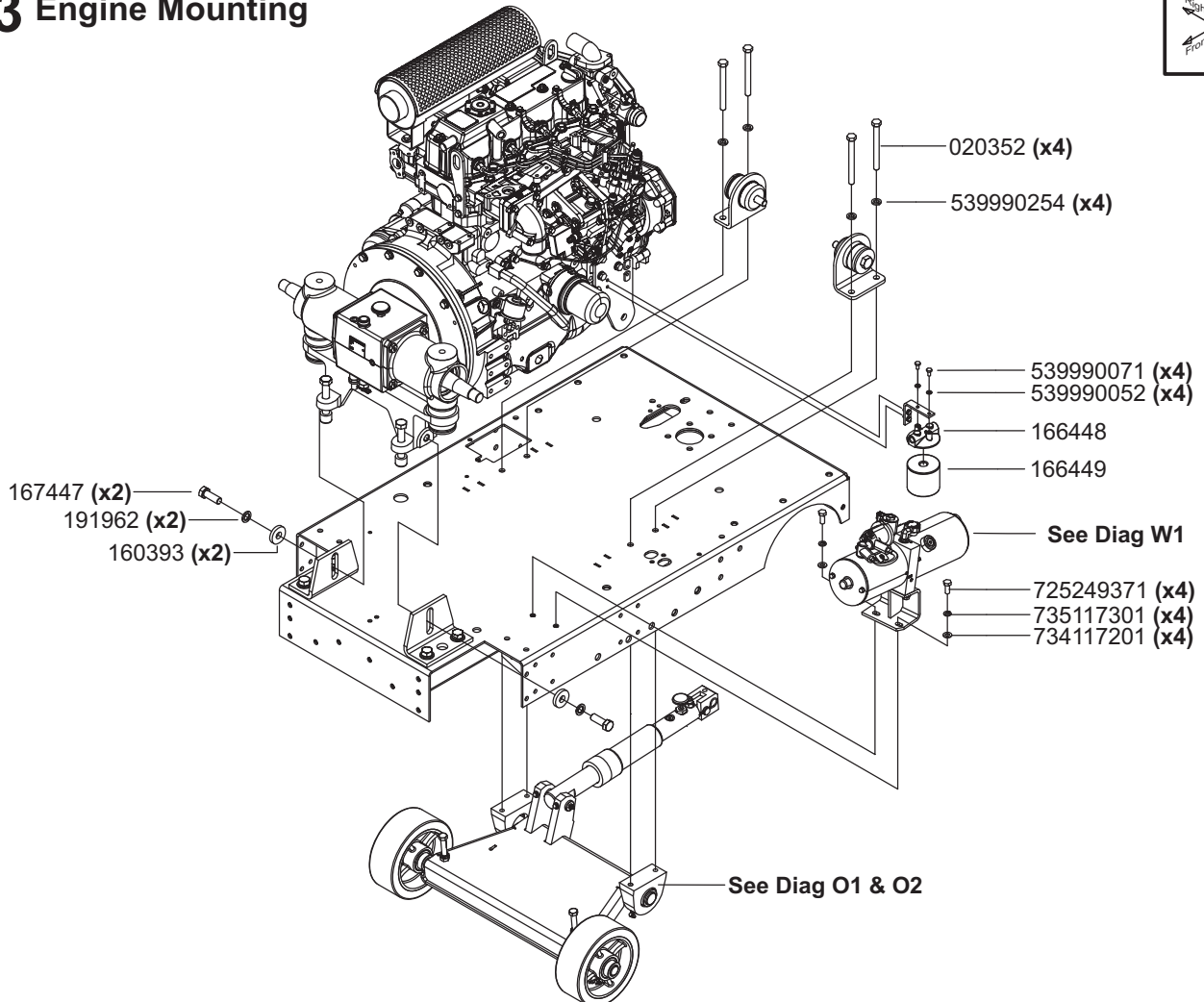
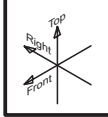
Q2 Belt Guard, Hydraulic Pump and Alternator Cover



08.24.09

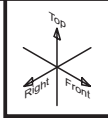


Q3 Engine Mounting



R1 Gearbox - Blade Shaft

****1-Speed****



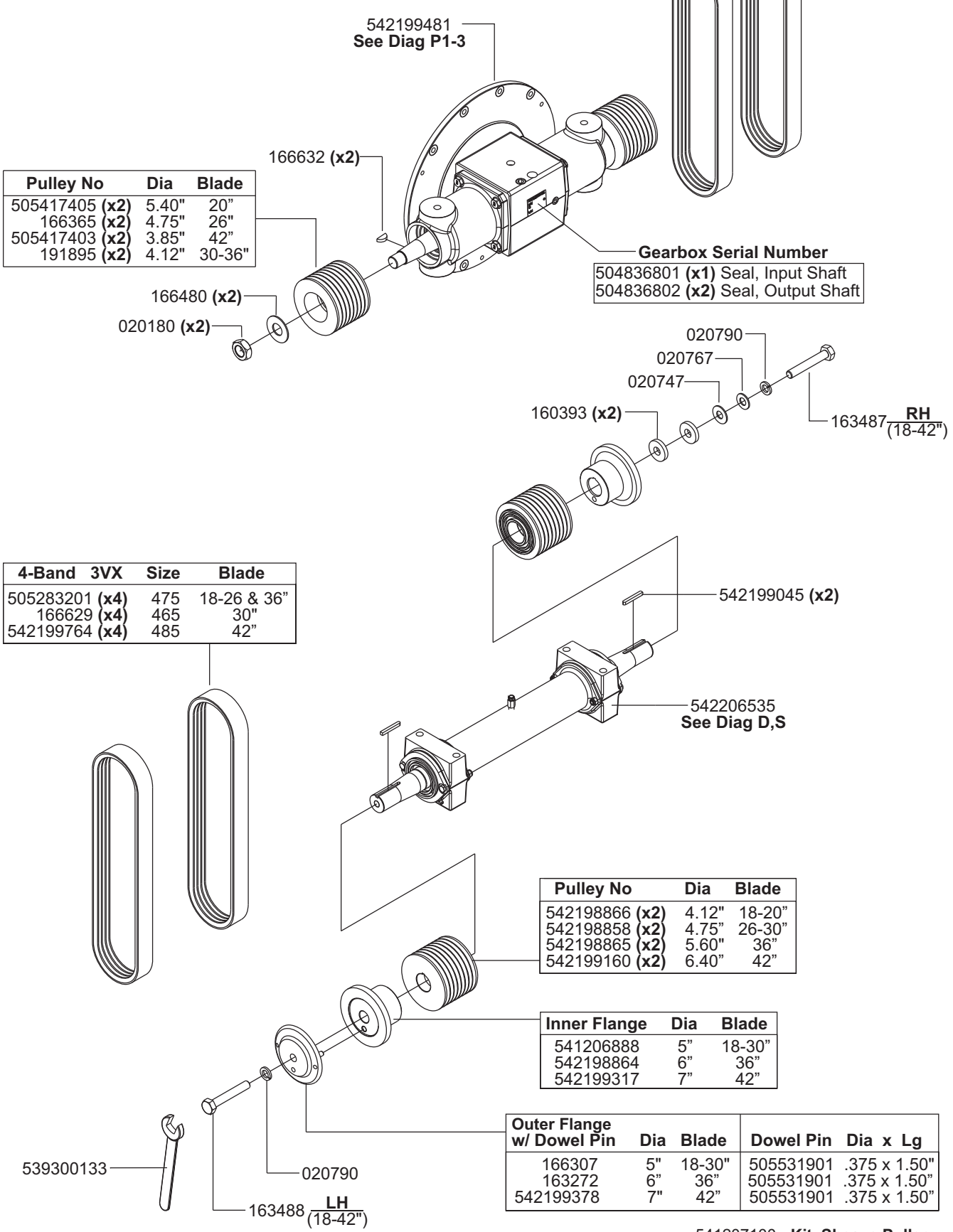
Pulley No	Dia	Blade
505417405 (x2)	5.40"	20"
166365 (x2)	4.75"	26"
505417403 (x2)	3.85"	42"
191895 (x2)	4.12"	30-36"

4-Band 3VX	Size	Blade
505283201 (x4)	475	18-26 & 36"
166629 (x4)	465	30"
542199764 (x4)	485	42"

Pulley No	Dia	Blade
542198866 (x2)	4.12"	18-20"
542198858 (x2)	4.75"	26-30"
542198865 (x2)	5.60"	36"
542199160 (x2)	6.40"	42"

Inner Flange	Dia	Blade
541206888	5"	18-30"
542198864	6"	36"
542199317	7"	42"

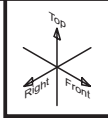
Outer Flange w/ Dowel Pin	Dia	Blade	Dowel Pin	Dia x Lg
166307	5"	18-30"	505531901	.375 x 1.50"
163272	6"	36"	505531901	.375 x 1.50"
542199378	7"	42"	505531901	.375 x 1.50"



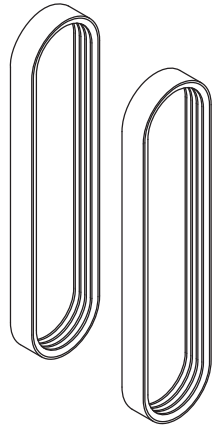
541207100 - Kit, Sheave Puller (Optional)

R2 Gearbox - Blade Shaft

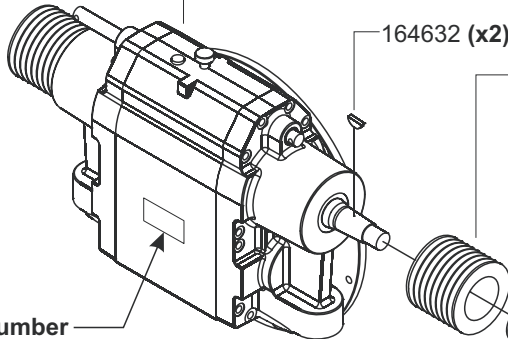
**** 3-Speed ****



11.30.09



542199836
See Diag P4

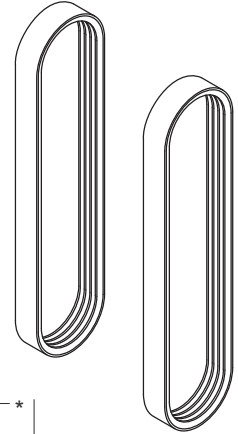


Engine Pulley No	Pulley Dia	Flange Dia
505417405 (x2)	5.40"	4.5"
505417404 (x2)	4.50"	5.0-7.0"

4-Band V-Belt	3VX	Size	Flange Dia
504119706	(x4)	570	4.5"
504119707	(x4)	550	5.0"
541200847	(x4)	560	6.0"
504119706	(x4)	570	7.0"

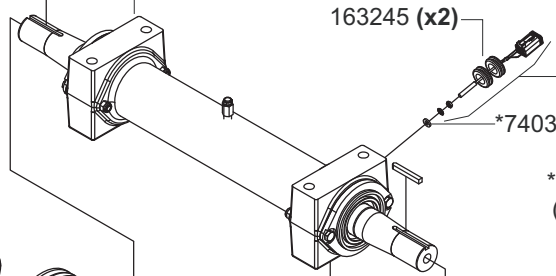
Gearbox Serial Number
504836801 (x1) Seal, Input Shaft
504836802 (x2) Seal, Output Shaft

166480 (x2)
020180 (x2)



542199045 (x2)
542206535
See Diag D & S

539990333
163488 LH
539300133

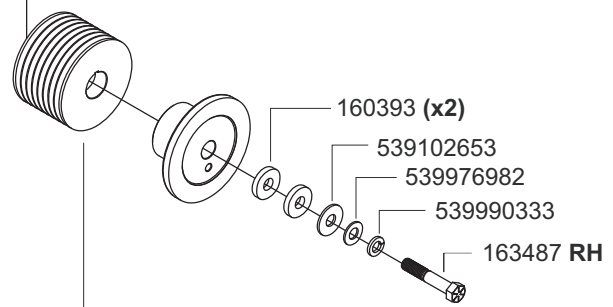


*542206634 Kit, Prox Switch
(Includes: *Proximity Switch w/Con,
*542201113 Instruction Sheet &
*542206478 Alignment Tool)

740380801-
725236671-

Inner Flange	Dia
542206202 (x2)	4.5"
541206888 (x2)	5.0"
542198864 (x2)	6.0"
542199317 (x2)	7.0"

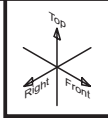
Outer Flange w/ Dowel Pin	Dia	Dowel Pin	Dia x Lg
163172	4.5"	505531901	.375 x 1.50"
166307	5.0"	505531901	.375 x 1.50"
163272	6.0"	539300010	.375 x 1.75"
542199378	7.0"	539300010	.375 x 1.50"



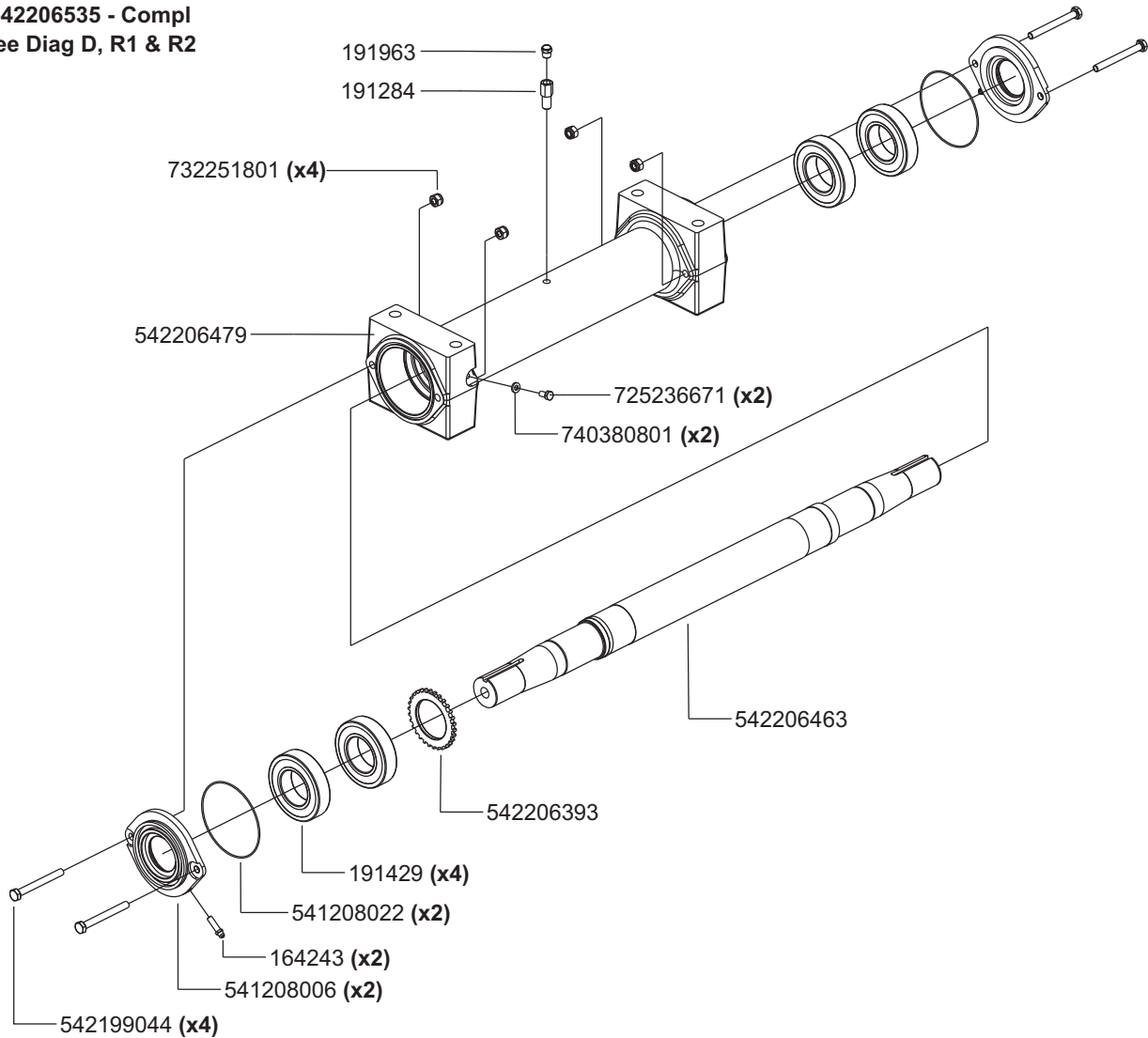
Bladeshaft Pulley No	Pulley Dia	Flange Dia
542198866 (x2)	4.12"	4.5-5.0"
542198858 (x2)	4.75"	6.0"
542198865 (x2)	5.60"	7.0"

541207100 Kit, Sheave Puller (Optional)

S Blade Shaft - Compl



542206535 - Compl
See Diag D, R1 & R2



Blade Shaft Assemblies - Compl with: Pulleys, Flanges & Mounting Fasteners

FS6800D 1-Speed

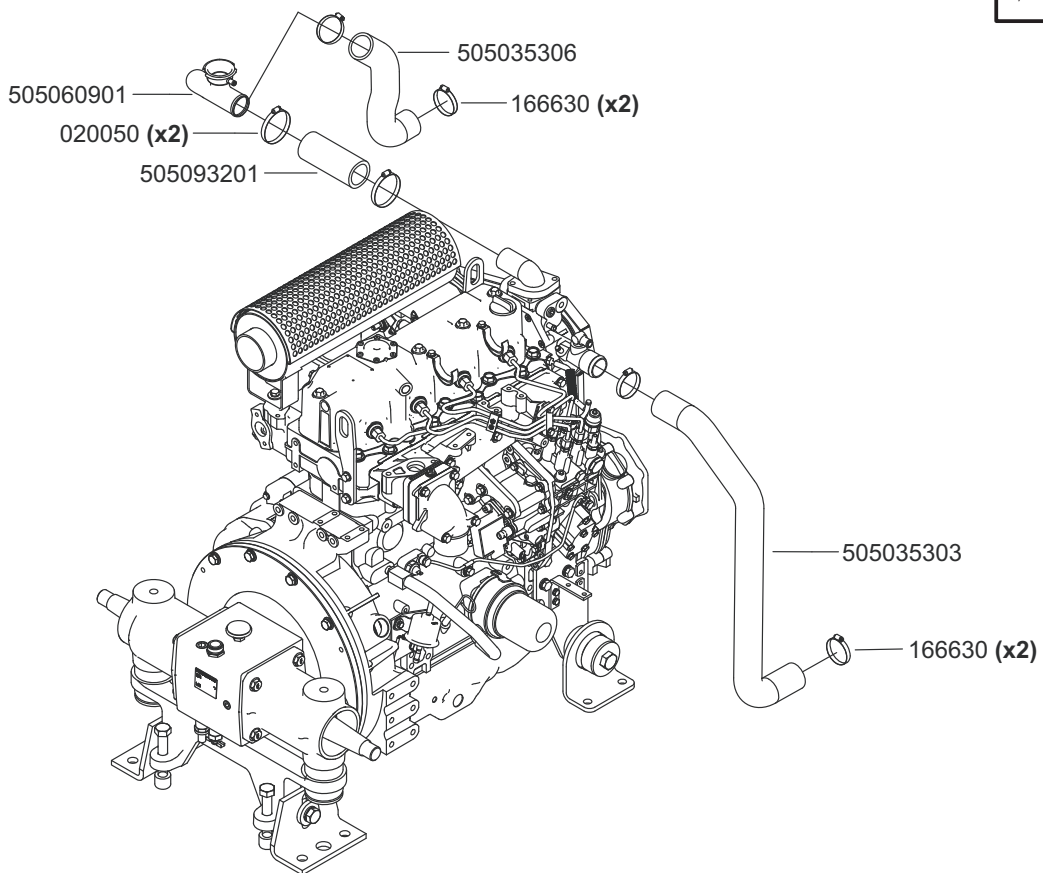
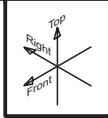
Assy No	Blade	Pulley (x2)	Dia	Inner Flange	Outer Flange	Dia
542199466	14/20"	542198866	4.12"	541206888	166307	5.0"
542199467	26/30"	542198858	4.75"	541206888	166307	5.0"
542199469	36"	542198865	5.60"	542198864	163272	6.0"
542199470	42"	542199160	6.40"	542199317	542199378	7.0"

Blade Shaft Assemblies - Compl with: Pulleys, Flanges & Mounting Fasteners

FS6800D 3-Speed

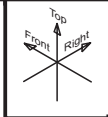
Assy No	Blade	Pulley (x2)	Dia	Inner Flange	Outer Flange	Dia
504827002	14/26"	542198866	4.12"	542206202	163172	4.5"
504827001	18/30"	542198866	4.12"	541206888	166307	5.0"
504827003	20/36"	542198858	4.75"	542198864	163272	6.0"
504827004	26/42"	542198865	5.60"	542199317	542199378	7.0"

T Cooling

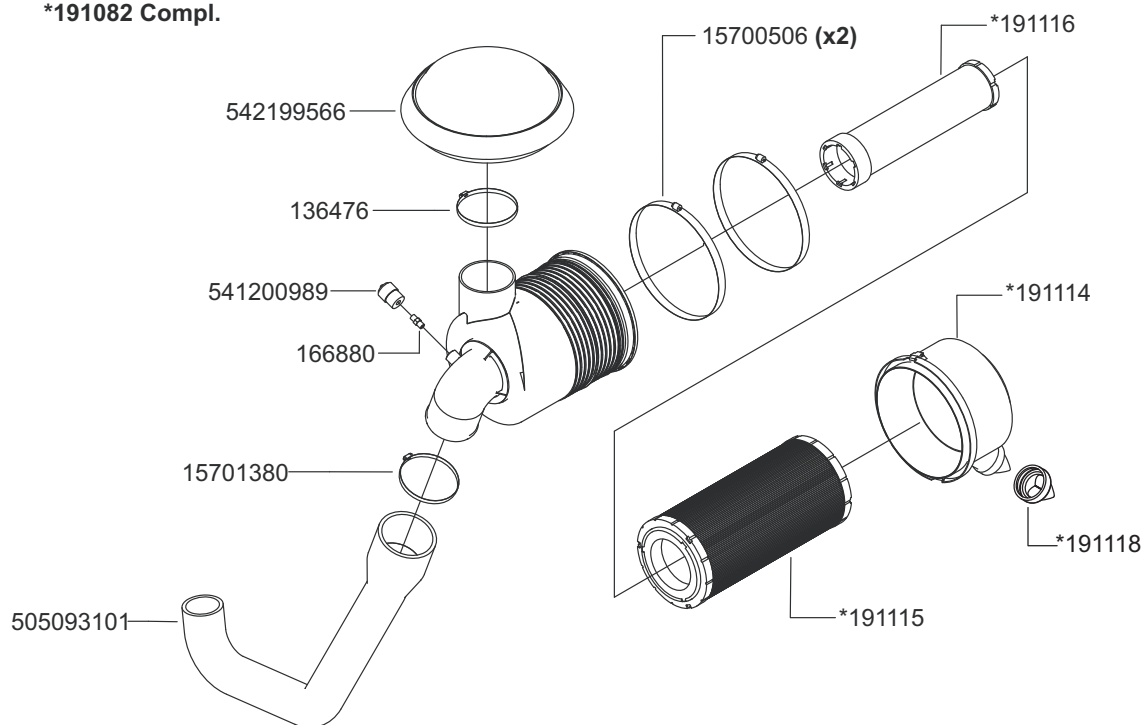


U Air Filter

*191082 Compl.

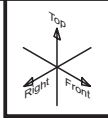


11.30.09

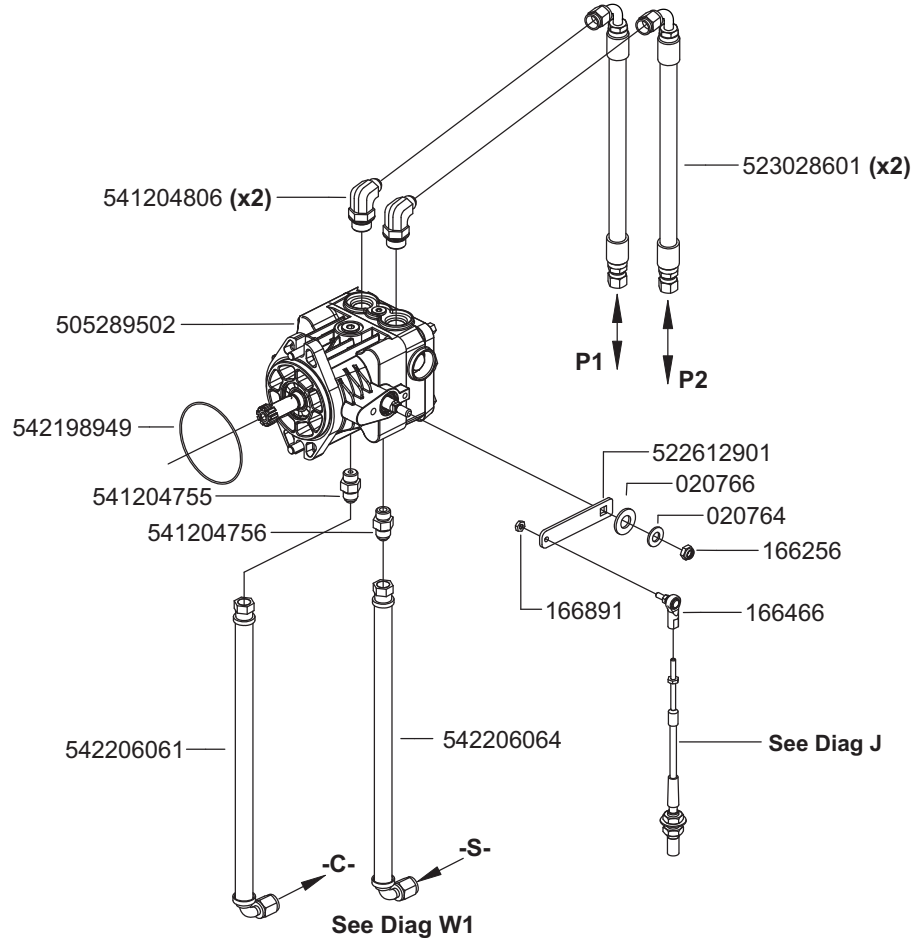


V1 Hydraulic Drive Pump

See Diag Q2



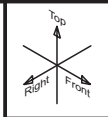
08.24.09



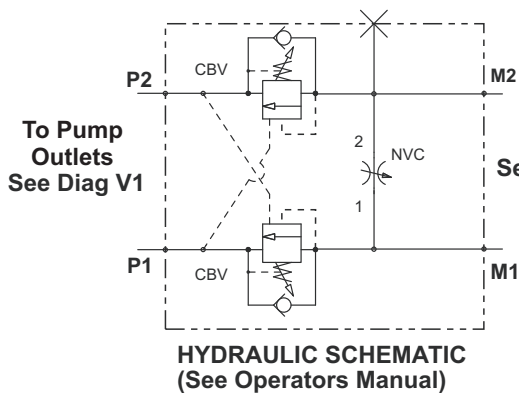
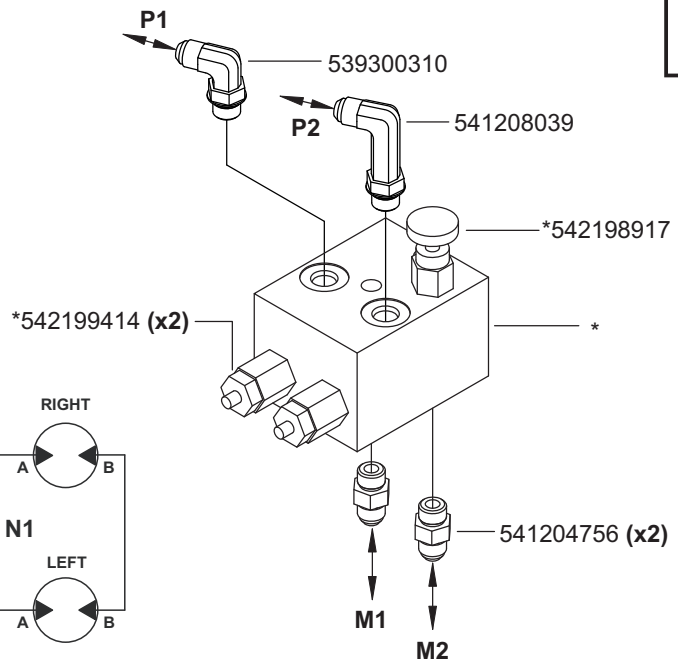
V2 Bypass Valve Manifold

See Diag B

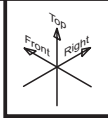
*542198915 - Compl



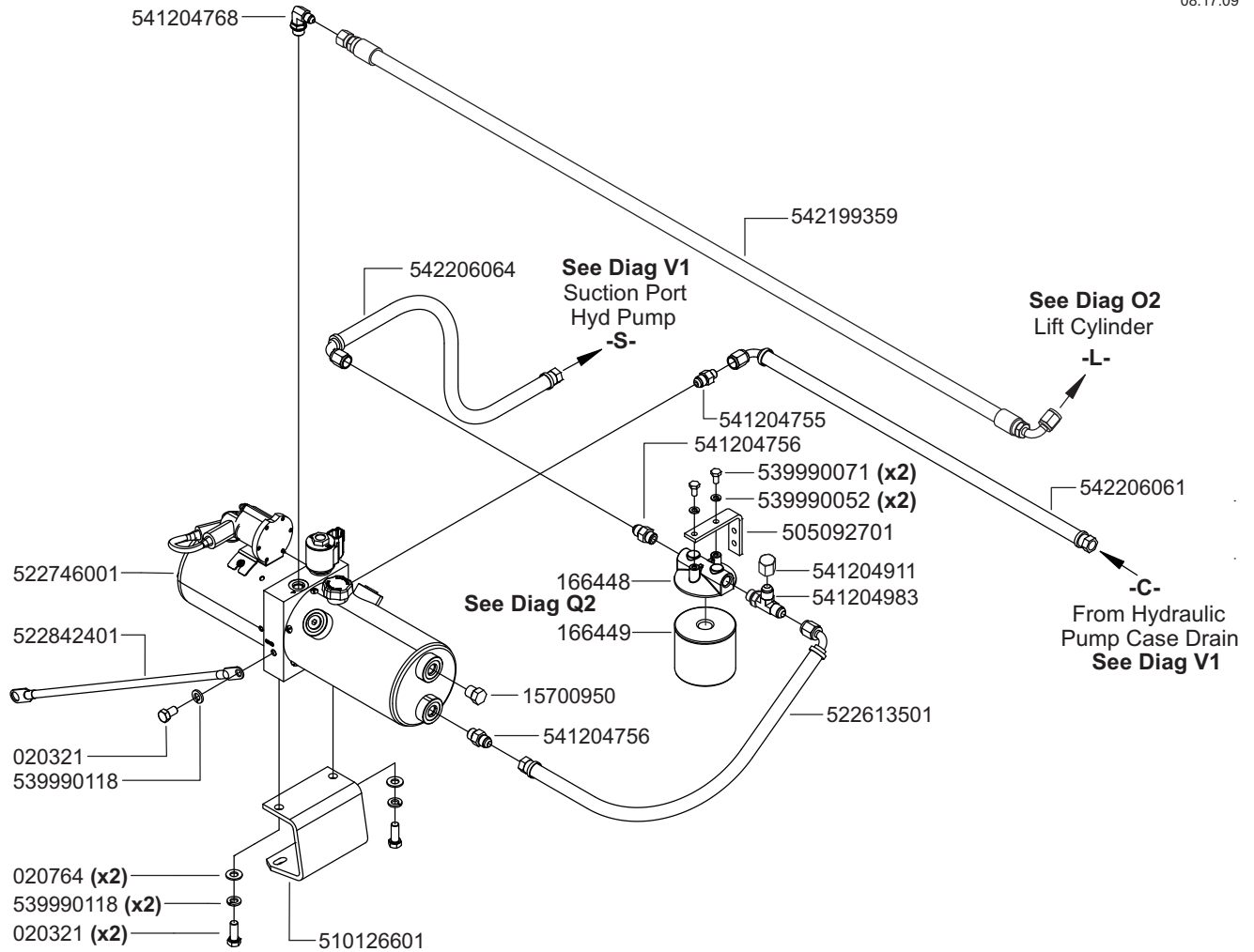
12.01.09



W1 Lift Pump & Filter



08.17.09

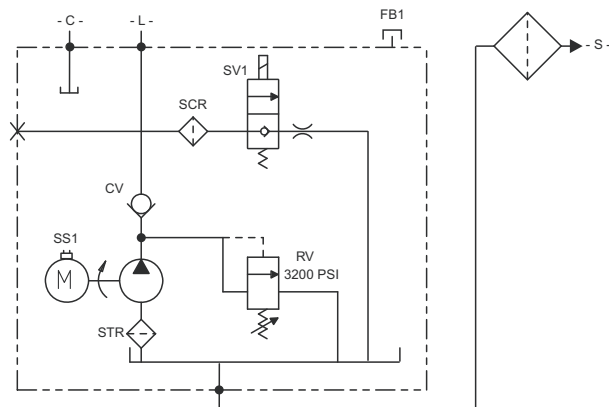


W2 Lift Pump (Not Shown)

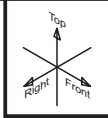
522746001 - Compl

Lift Pump Service Parts

- STR - 522849106 Strainer, Pump
- SV1 - 522849109 Valve, Cartridge
- " - 522849110 Coil - 12 VDC
- SS1 - 522849115 Starter Switch - 12 VDC
- FB1 - 522849119 Cap, Filler-Breather



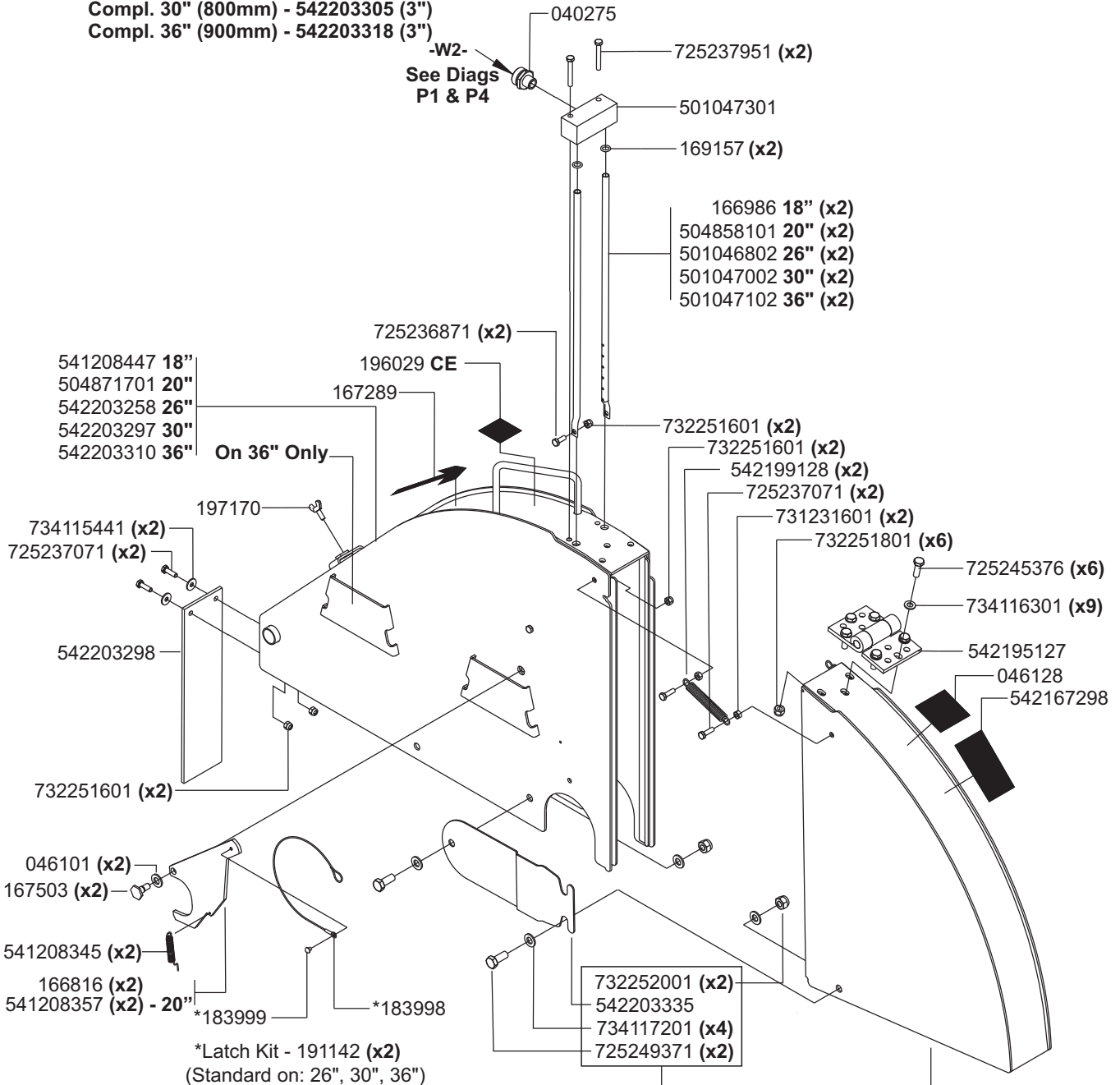
HYDRAULIC SCHEMATIC



12.01.09

X1 Blade Guard Assy - Slip-On

- Compl. 18" (450mm) - 542198778 (3")
- Compl. 20" (500mm) - 504857701 (3")
- Compl. 26" (600mm) - 542203266 (3")
- Compl. 30" (800mm) - 542203305 (3")
- Compl. 36" (900mm) - 542203318 (3")



542167298

WARNING

DO NOT use a larger size blade guard without changing to the correct belt drive flange to comply with ISO 119 in injury or death.

NO use un protector de hoja de mayor tamaño sin cambiar el mando de correas correspondiente.

De no cumplir esta se pueden producir lesiones graves o mortales.

NE PAS utiliser une protection de disque de plus grande taille sans changer en même temps la courroie d'entraînement! Toute négligence à cet égard pourrait causer des blessures graves, voire mortelles!

Bei Verwendung einer größeren Scheibenabdeckung muss die Antriebsrolle gleichzeitig ausgetauscht werden! Ansonsten besteht Verletzungs- oder Todesgefahr!

Gebnik GSEK protena bladetakking storleik de skillettrem utan se passant. Inutan ett rätt stort sugflans, kan det vara en livsfarlig felaktighet!

NOW use a larger size blade guard without changing to the correct belt drive flange to comply with ISO 119 in injury or death.

SEE OPERATOR'S MANUAL FOR INSTRUCTIONS. IF YOU DO NOT HAVE AN OPERATOR'S MANUAL, CALL TOLL FREE 1-800-288-5040

For 26-36" Not Included w/ Compl Blade Guard Assys

541208440
139742 (x2)
139751 (x2)

For 18-20" Not Included w/ Compl Blade Guard Assys

167289

WARNING

DO NOT CHANGE TO A LARGER BLADE GUARD SIZE WITHOUT CHANGING TO PROPER BELT DRIVE, ENGINE SPEED AND BLADE FLANGES. FAILURE TO COMPLY COULD RESULT IN DEATH OR SERIOUS BODILY INJURY. SEE OPERATOR'S MANUAL FOR INSTRUCTIONS. IF YOU DO NOT HAVE AN OPERATOR'S MANUAL, CALL TOLL FREE 1-800-288-5040

LWA

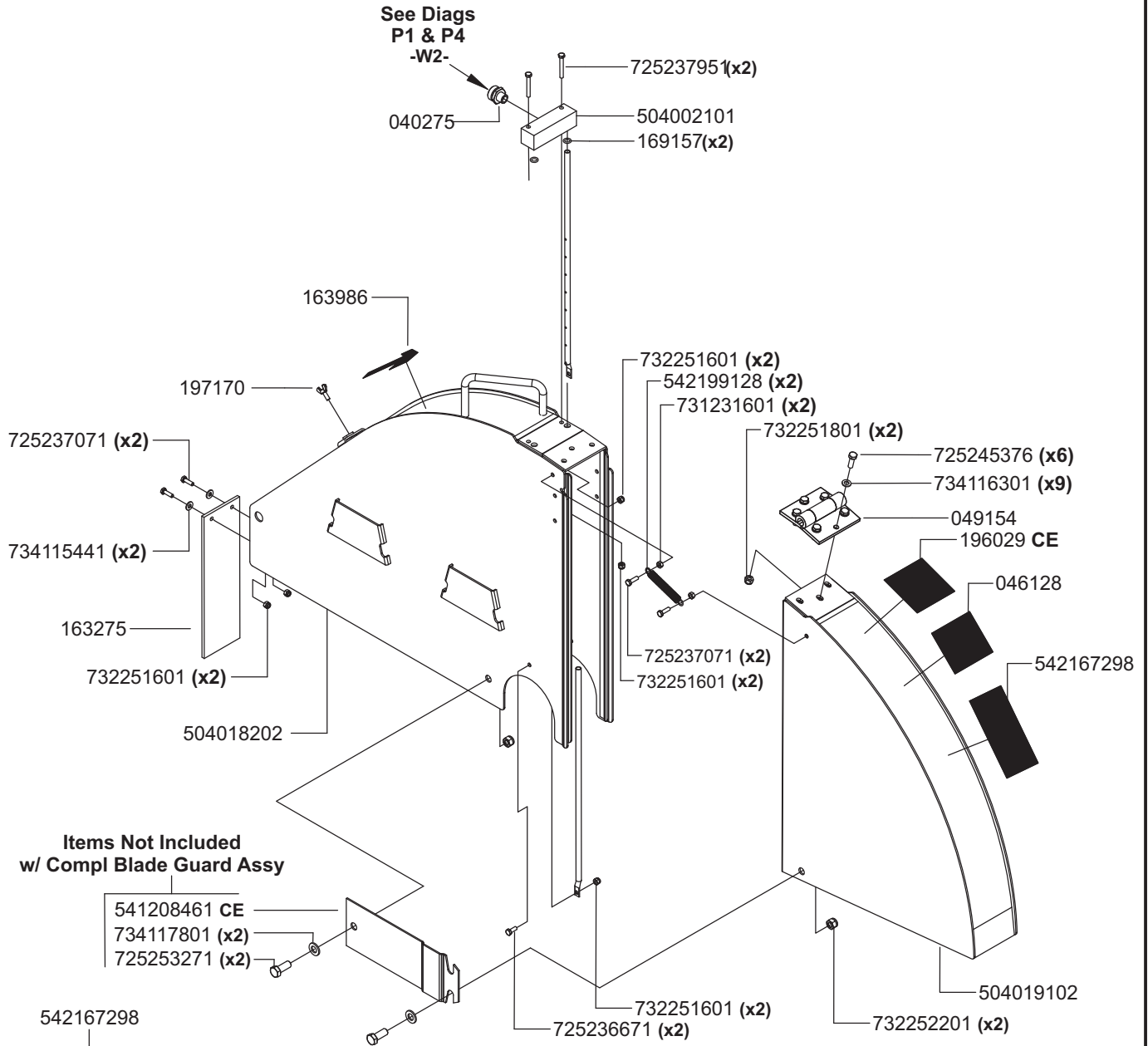
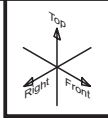
119 dB

541208448 18"
504871601 20"
542203264 26"
542203303 30"
542203316 36"



X2 Blade Guard Assy - 42" Slip-On

504019401 42" (1000mm) Compl



Items Not Included w/ Compl Blade Guard Assy

- 541208461 CE
- 734117801 (x2)
- 725253271 (x2)

542167298

WARNING

DO NOT use a larger size blade guard without changing to the correct belt drive! Failure to comply could result in injury or death!

NE PAS utiliser une protection de disque de plus grande taille sans changer en même temps le courroie d'entraînement ! Toute négligence a cet égard pourrait causer des blessures graves, voire mortelles !

NE PAS utilizar una protección de disco de mayor tamaño sin cambiar el mando de la correa correcto!

De no cumplirse esto se pueden producir lesiones graves o mortales!

Bei Verwendung einer größeren Stieblattabdeckung MUSS der entsprechende Antrieb installiert werden! Andernfalls besteht Verletzungs- oder Lebensgefahr!

Gebruik GEEN grotere bladafdekking zonder de aandrijfrem aan te passen! Indien dit niet wordt nageliefd, zou dit tot een letsel of de dood kunnen leiden!

NON usare un riparo del disco di dimensioni più grandi senza cambiare anche la trasmissione del disco nella misura corretta! L'incossistenza di questa istruzione può causare infortuni o la morte!

ANVÄND INTE ett bladskydd som är större utan att byta till rätt drivrem! Försammalet att följa dessa regler kan leda till skada eller död!

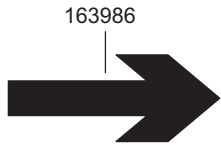
WARNING

DO NOT CHANGE TO A LARGER BLADE GUARD SIZE WITHOUT CHANGING TO PROPER BELT DRIVE, ENGINE SPEED AND BLADE FLANGES. FAILURE TO COMPLY COULD RESULT IN DEATH OR SERIOUS BODILY INJURY. SEE OPERATOR'S MANUAL FOR INSTRUCTIONS. IF YOU DO NOT HAVE AN OPERATOR'S MANUAL, CALL TOLL FREE 1-800-288-5040

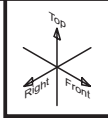
196029 CE

L_{WA}

119 dB



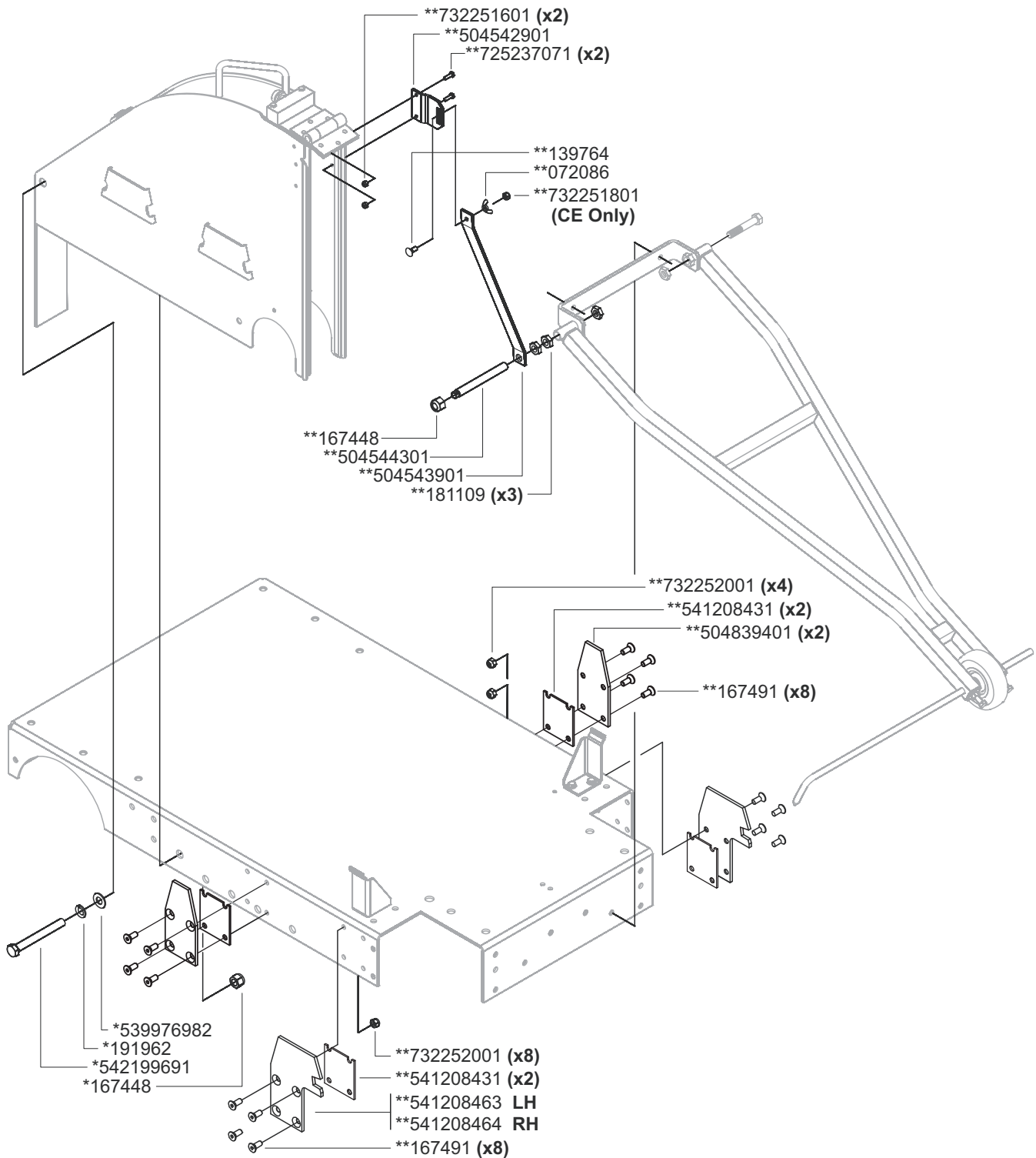
X3 Blade Guard Attachment - 42" (1000mm)



*504558301 Kit, 42" Blade Guard - Compl

Includes: 504019401, **504558401 &
Flange Cover w/ Hardware - See Diag X2

**504558401 Kit, Attachment

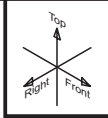




Water Pump Kit

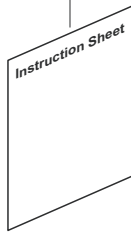
542199626 - Kit, Compl

*542199637 Compl



12.01.09

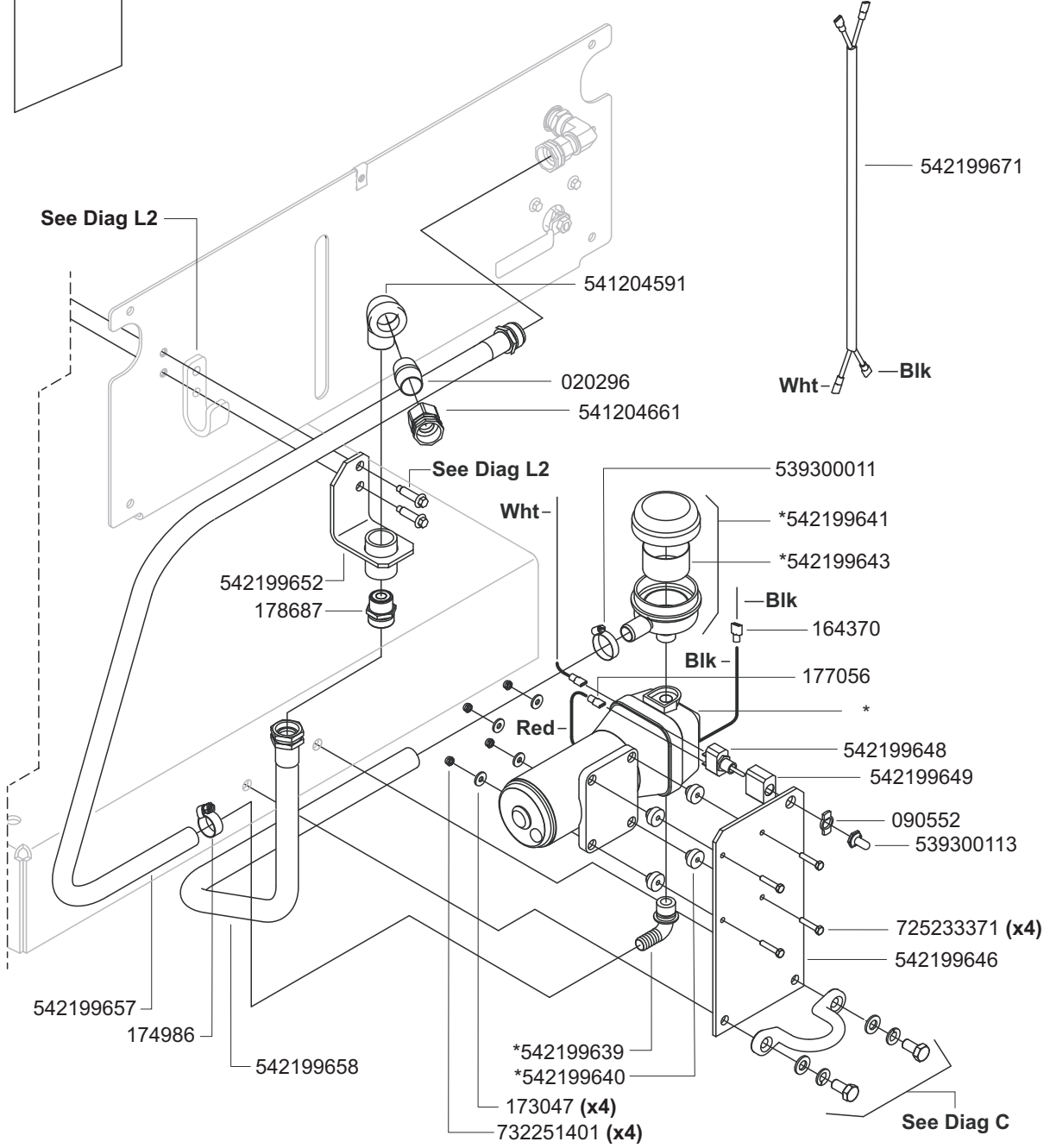
542201048



See Diags F1 & F2
Main Wiring Diagram
in Operator's Manual

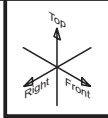
166855

Connects To
Cowl Wiring Harness
See Cowl Wiring Diagram
in Operator's Manual

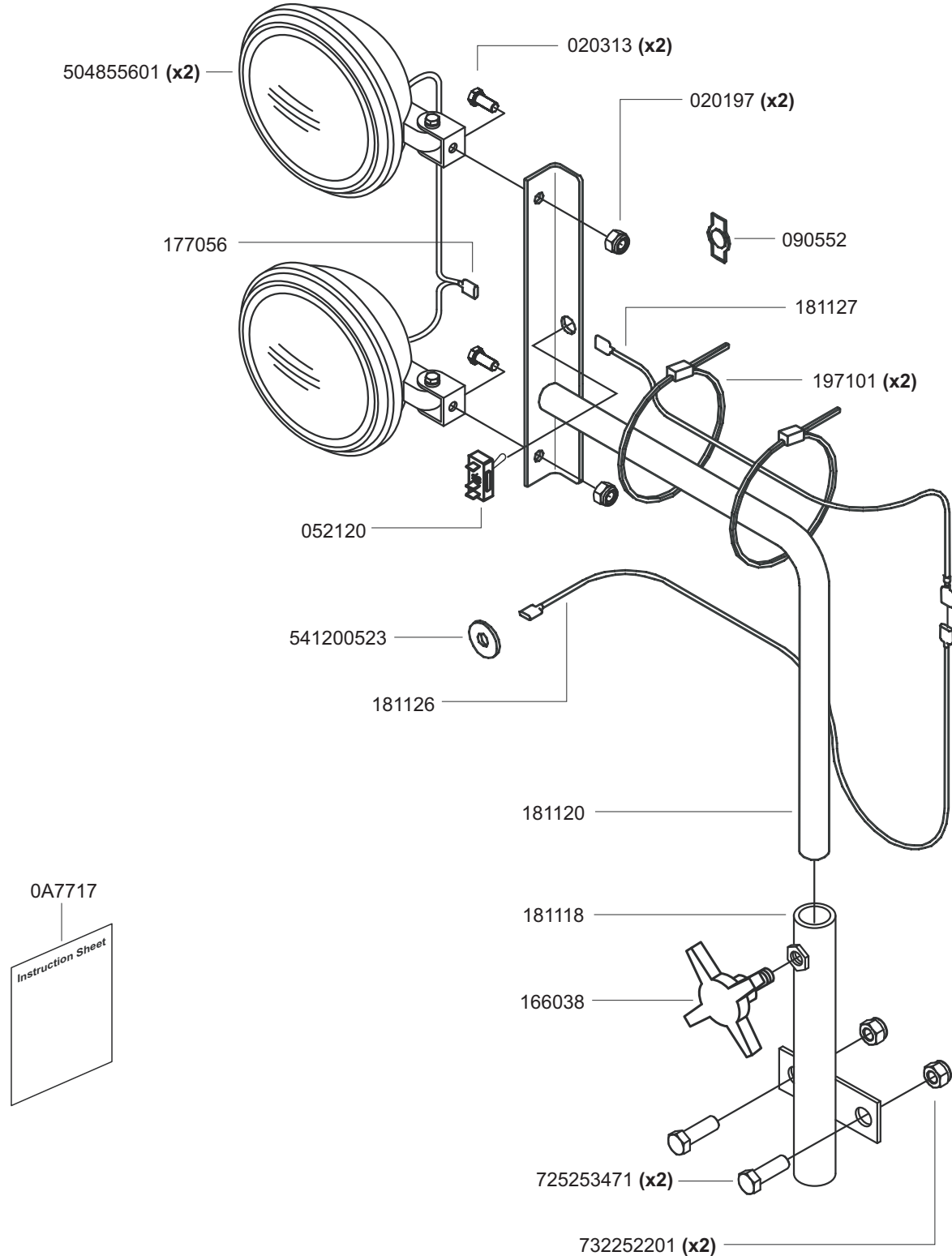


Z Dual Light Kit

181117 - Kit, Compl

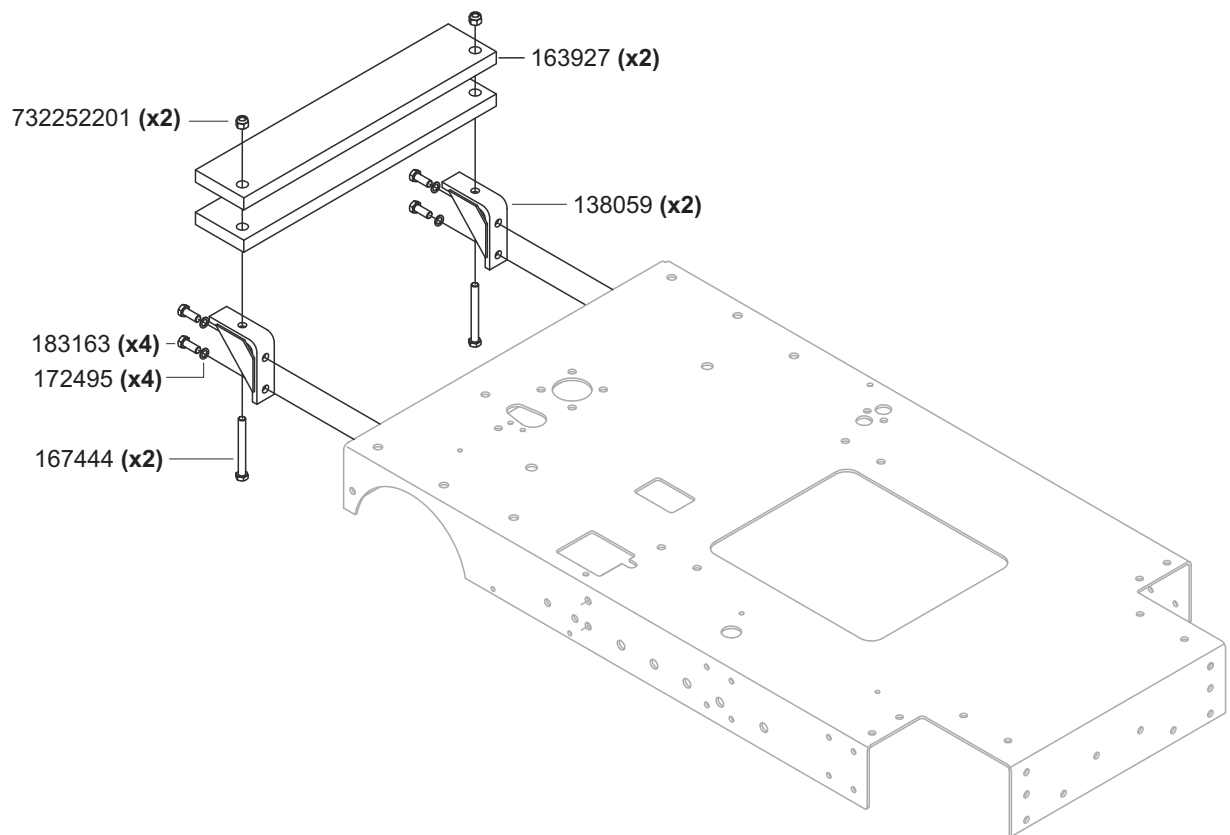
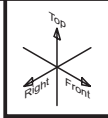


166855 —  See
Main Wiring Diagram
in Operator's Manual



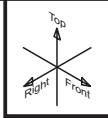
AA Weight Kit- 42”(1000mm)

542196172 - Compl 42”(1000mm) (2 Bars)

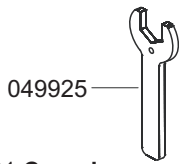


AB Side Cut Plunge Kit - 18/20"

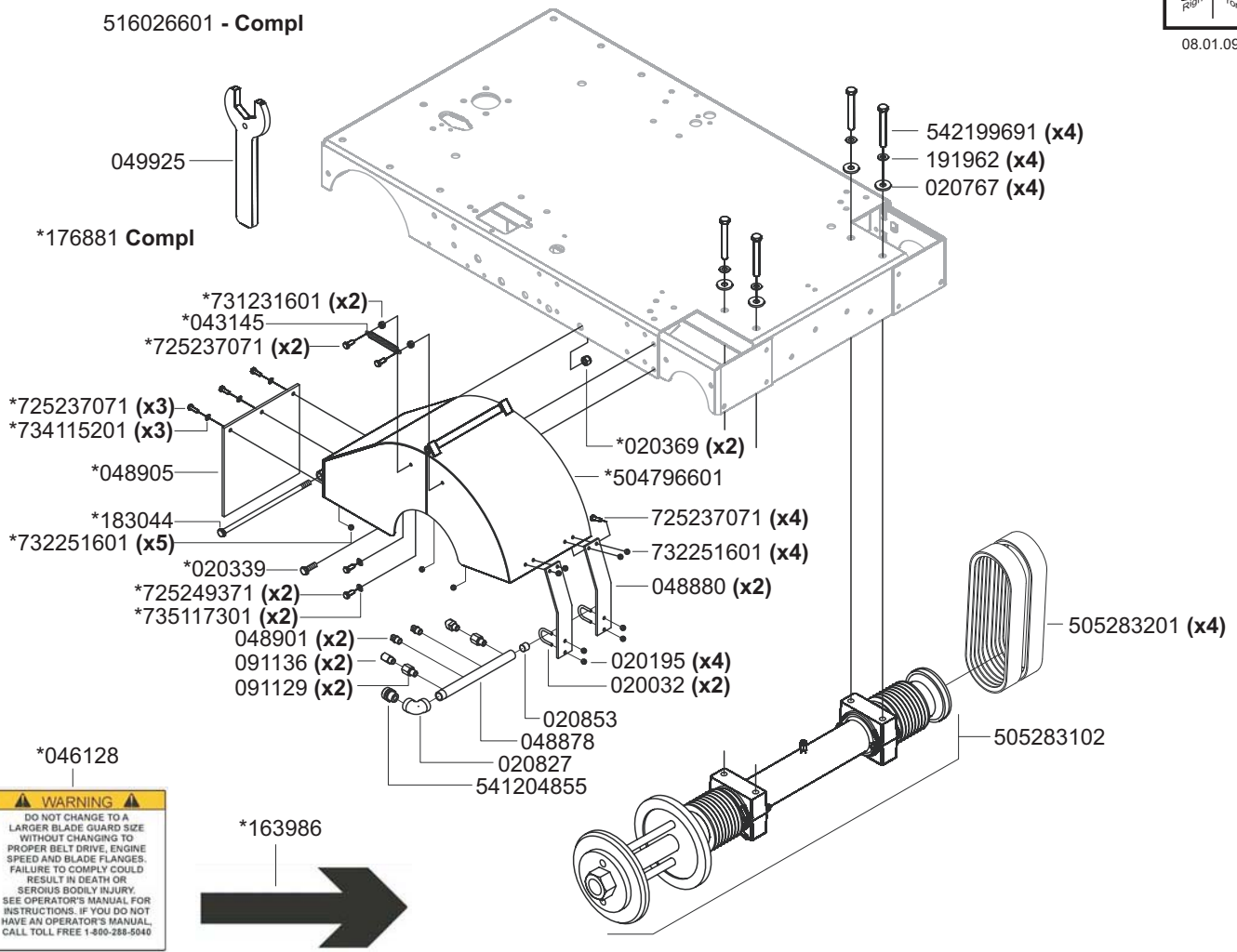
516026601 - Compl



08.01.09

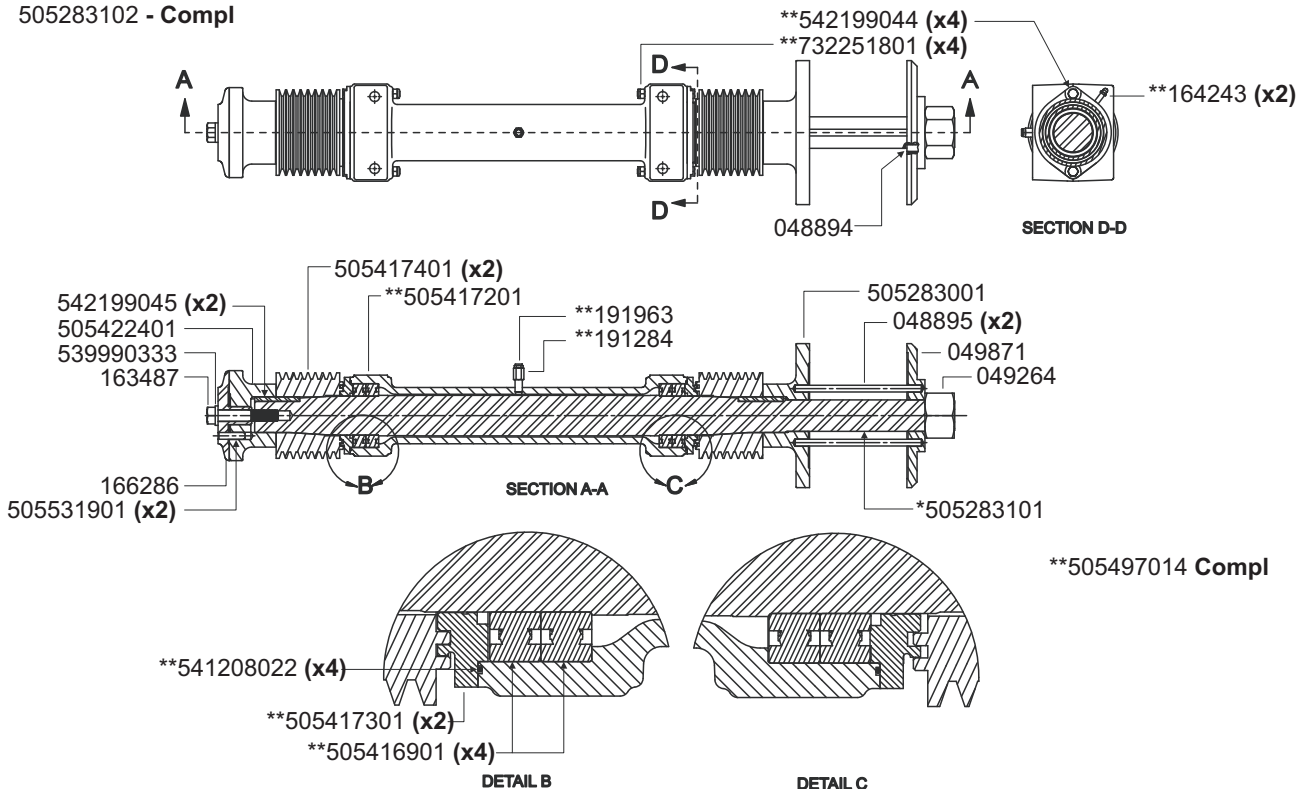


*176881 Compl



WARNING
DO NOT CHANGE TO A LARGER BLADE GUARD SIZE WITHOUT CHANGING TO PROPER BELT DRIVE, ENGINE SPEED AND BLADE FLANGES. FAILURE TO COMPLY COULD RESULT IN DEATH OR SERIOUS BODILY INJURY. SEE OPERATOR'S MANUAL FOR INSTRUCTIONS. IF YOU DO NOT HAVE AN OPERATOR'S MANUAL, CALL TOLL FREE 1-800-288-5040

505283102 - Compl



Husqvarna Construction Products N. A.
Corporate Office
17400 West 119th Street
Olathe, Kansas 66061
Tel. 913-928-1000
Fax 913-438-7951

Customer Service: 800-288-5040
Customer Serv. Fax: 800-825-0028



DUST WARNING



Cutting, especially when DRY cutting, generates dust that comes from the material being cut, which frequently contains silica. Silica is a basic component of sand, quartz, brick clay, granite and numerous other minerals and rocks. Exposure to excessive amount of such dust can cause:

- Respiratory diseases (affecting your ability to breath), including chronic bronchitis, silicosis and pulmonary fibrosis from exposure to silica. These diseases may be fatal;
- Skin irritation and rash; and
- Cancer according to NTP* and IARC*
* National Toxicology Program / International Agency for Research on Cancer

Take precautionary steps

- Avoid inhalation of and skin contact with dust, mist and fumes;
- Wet cut when feasible, to minimize dust;
- Wear and ensure that all bystanders wear appropriate respiratory protection such as dust masks designed to filter out microscopic particles. (See OSHA 29 CFR Part 1910.1200)

California Prop 65 Warning:

Use of this product can cause exposure to materials known to the State of California to cause cancer and/or birth defects or other reproductive harm.



Printed in the USA