

TS 250XL
TS 250XL SS

Spare parts

Pieces de rechange

Piezas de repuesto

TS 250XL

PART NO.	POS.	DESCRIPTION	PART NO.	POS.	DESCRIPTION
501 96 53-01	A,A1	Blade Guard 10" - PC H. Orange	542 16 93-66*	A,A1	Screw, Self-Tap Pan Hd, #8 x 3/8 "B" ZP
504 04 02-01	A,A1	Decal: Husq Crown H, 25mm	542 16 94-86*	A,A1	Knob, 5/16"-18 x 1 4-Prong
539 30 00-74	I	Set Collar, 1/2" ID	542 16 95-22*	A,A1	Flange, Inner
539 30 01-23	C	Set Collar, 1" I.D.	542 16 95-23*	A,A1	Flange, Outer
539 99 02-09	C,D	Screw, Hex Hd 5/16"-18 x 1"	542 16 95-64*	E	Water Tube Assy: 1/4"Y x 72"
539 99 05-80	B	Screw, Hex Hd 1/4"-20 x 3/4"	542 16 95-65*	E	Tube, Clear Vinyl 1/4" ID x 6"
539 99 06-55	C	Bolt, 3/8"-16 x 1-1/2 ZP	542 16 97-91*	B	Rail, SS - STM
541 20 06-49	I	Set Collar, 5/8" ID	542 17 10-65*	G	Cutting Accessories Package
541 20 15-69	A1	V-Belt, 3VX280	542 17 21-01*	A	Pulley 6GJ2.80 - .626 w/SS
541 20 46-69	A,A1	Washer, Spring Wave .531 ID ZP	542 17 88-25*	A,A1	Flange Bolt, 5/16"-18 x 1 Gr5 ZP
541 20 48-00	E	Fitting, 1/4"NPT x 1/4" Hose	542 18 08-10*	A1	Switch Box Assy w/ Wiring
542 00 06-05	A1	Mtr: 1.5HP 3450 115/208-230/60/1	542 18 70-43*	A,A1	Decal: Warning
542 00 07-16	A1	Mtr: 2.0HP 3450 115/208-230/60/1	542 18 91-15*	B	Capscrew, Hex Hd, 1/4"-20 x 5/8", 316SS
542 02 00-11*	G	Carriage Bolt, 1/4"-20 x .625 ZP	542 18 91-16*	B	Locknut, Fiber 1/4"-20, 316SS
542 02 00-60*	A,A1	Key, .1875 Sq x 1	542 18 92-47*	A,A1	Decal: Water Pump Outlet
542 02 01-27*	A,A1	Carriage Bolt, 5/16"-18 x 3, GR5 ZP	542 18 96-60*	A,A1	Flange Bolt, 1/4"-20 x 1/2" Gr5 ZP
542 02 01-95*	A,A1,B	Locknut, Fiber 1/4"-20 ZP	542 18 96-61*	A,A1	Cap, Bearing
542 02 01-97*	A,A1,C	Locknut, Fiber 5/16"-18 ZP	542 18 97-37*	F,G,H	T-Knob 1/4"-20 x 3/4"
542 02 02-01*	I	Locknut, Fiber 1/2"-13			
542 02 02-44*	G	Locknut, Wing 1/4"-20	542 19 07-36	F	Decal: HUSQVARNA, 4" Domed
542 02 02-45*	A,A1	Locknut, Wing 5/16"-18 ZP	542 19 07-40	B	Decal: Husq Target STM TS250XL
542 02 03-18*	C	Capscrew, Hex Hd, 5/16"-18 x 2.25 GR 5 ZP	542 19 37-94*	C	Decal: Drain Plug
542 02 03-39*	I	Capscrew, Hex Hd 1/2"-13 x 1"	542 19 38-30*	A,A1	Flange Bolt, 1/4"-20 x 3/4" Gr5 ZP
542 02 03-70*	A1	Capscrew, Hex Hd, 1/4"-20 x .75 GR 5 ZP	542 19 38-33*	A,A1	Shaft, Blade
542 02 04-41*	A,A1	Capscrew, Hex Hd, 5/16"-18 x 1.75 GR 5 ZP	542 19 38-70	A,A1	Adjustment Cam, ZP
542 02 04-89*	C	Screw, Self-Tap Hex WH, 1/4"-20 x .75 "F"	542 19 39-16	D	Extension, Cart
542 02 05-40*	A1	Set Screw, Soc Hd, 1/4"-20 x 1/4"	542 19 39-19	A,A1	Pin, Roll .156 x 1.00
542 02 05-41*	A,A1	Set Screw, Soc Hd, 1/4"-20 x 3/8 Cup	542 19 39-20	A,A1	Bolt, Blade Latch, ZP
542 02 05-50*	A1	Screw, Socket Hd, 5/16"-18 x 3/8	542 19 39-37	D	Cart w/ V-Top
542 02 06-43*	C	Pin, Roll 1/4" x 1.25	542 19 39-40	D	Roller, Cart Stabilizer
542 02 07-39*	A,A1	Washer, Flat #10 (3/16") ZP	542 19 39-41	C	Spring, Torsion
542 02 07-41*	A1	Washer, Flat 1/4" ZP	542 19 39-44	C	Anchor, Spring
542 02 07-42*	A,A1,C,D	Washer, Flat 5/16" ZP	542 19 39-48	B	Rail Support
542 02 07-62*	B,C	Washer, Flat SAE 1/4" ZP	542 19 39-51	D	Cart Stop
542 02 07-63*	A,A1,D	Washer, Flat SAE 5/16" ZP	542 19 39-58	C	Lock Bar - STM, Z/P
542 02 07-66*	A,A1	Washer, Flat SAE 1/2" ZP	542 19 39-63	B	Pan, Tile Saw - TS 250XL, GALV
542 02 07-85*	A,A1	Lockwasher, Split 5/16" (M8)	542 20 30-11	A,A1	Torsion Spring, ZP
542 02 07-86*	C	Lockwasher, Split 3/8"	542 20 30-37	D	Extension Assy, Cart (Optional)
542 02 14-16*	D	Capscrew, Hex Hd, 5/16"-18 x 1" GR 5 ZP	542 20 30-51	A1	Pulley 2G3V2.0 - .625 w/ SS
542 03 03-86*	B	Drain Plug Assy	542 20 30-54	B	Pan - STM, SS
542 03 08-22*	D	Wheel, Cart	542 20 30-56	D	Conveyor Cart Assy
542 03 09-06*	A1	Pulley 2G3V2.25 - .875 w/ SS	542 20 30-60	A	Pulley 6GJ1.75 - .626 w/ SS
542 03 23-66*	D	Nut, KEPS 5/16"-18 ZP	542 20 30-62	I	Wheel, 4.0" OD x .503" B
542 04 01-26*	I	Wheel, 6.0" OD x .625" B	542 20 30-74	I	Axle, 1/2"OD x 14.4"
542 04 63-26*	A,A1	Decal, 3-Wire Grounded Plug	542 20 30-83	F	Rip Guide Assy
542 04 63-27*	A,A1	Decal, Cord Usages	542 20 31-19	D	Wheel, Eccentric, Yellow Zinc
542 05 01-03*	H	Knob, Adjustment	542 20 31-22	I	Pin, Clevis 3/8" x 2.50"
542 05 01-05*	H	Stop, Friction	542 20 31-80	A,A1	Pad, Resilient, Self Adhesive
542 05 01-06*	H	Spring	542 20 31-81	A,A1	Blade Shaft Stop, ZP
542 05 01-07*	H	Bolt, Locking - B/O	542 20 31-93	A	V-Belt, Poly, 280J6
542 05 02-16*	E	Water Pump & Valve, 230V/50-60	542 20 32-18	A,A1	Nut, Flange, 5/16"-18 Tensilock
542 05 02-18*	E	Water Pump & Valve, 115V/60	542 20 32-52	I	Stand, Tile Saw - PC H. Gray
542 05 10-10*	G	Protractor Assy, Adj 90 Deg	542 20 32-53	I	Stand, Adj Rolling - H. Gray
542 05 10-20*	G	Guide Assy, Dual 45 Deg	542 20 53-85	A,A1	Bracket, TS Belt Guard Mtg, Z/P
542 05 10-30*	G	Bullnose Guide Assy, 45 Deg	542 20 53-87	A,A1	Belt Guard - PC H. Orange
542 05 10-61*	C	Pan Stop ZP	542 20 53-92	A,A1	Head Platform - PC H. Gray
542 05 10-64*	C	Assy, Pan Stop	542 20 54-45	A,A1	Blade Guard Assy - TS 250
542 05 10-65*	C	Tab, Plastic	542 20 54-46	A,A1	Platform w/Bladeshaft -compl TS 250
542 07 10-81*	A,A1	Bearing, .669 BB	542 20 54-47	A	Cutting Head - compl 1.5HP 115V/60
542 07 11-10*	A,A1	Washer, Spring	542 20 54-48	A	Cutting Head - compl 1.5HP-HT 115V/60
542 13 95-68*	I	Grip, Handle	542 20 54-49	A1	Cutting Head - compl 1.5HP- 115V/230/60
542 13 95-81*	I	Spring, Stand	542 20 54-52	B	Water Pan, Galv - compl TS 250XL
542 16 10-19*	E	Connector, "Y" 1/4"	542 20 54-53	B	Water Pan, SS - compl TS 250XL
542 16 10-21*	E	Nozzle, Plastic 1/4" x 1.5			
542 16 10-26*	E	Tube, Clear Vinyl 1/4" ID x 32"			
542 16 11-34*	E	Valve, Flow Control			
542 16 13-16*	E	Water Pump & Valve, G300 115V/60			
542 16 14-79*	H	Support Assy, 45 Deg - Blk			
542 16 14-80*	H	Miter Guide, 45 Deg Mighty			
542 16 16-41*	F	Wrench, 15/16", ZP			
542 16 16-80*	B	Rail, STM - Z/P			
542 16 17-19*	E	Tube, Clear Vinyl 1/4" ID x 72"			
542 16 17-30*	A,A1	Bearing Cap W/ Mounting Screws			
542 16 32-48*	A,A1	Strip, Rubber Sponge			
542 16 70-35*	I	Pin, Cotter Hair			
542 16 78-70*	D	Screw, SH Shoulder, 1/2"OD x .50, 3/8"-16			
542 16 93-65*	A,A1	Guard, Splash			

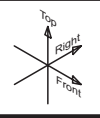
NOTE: Part No's. that have an ASTERISK (*) suffix may not be active 9-digit numbers. The '542' prefix has been added to current 6-digit part numbers and '0' to 7 and 8-digit numbers.

TS 250XL

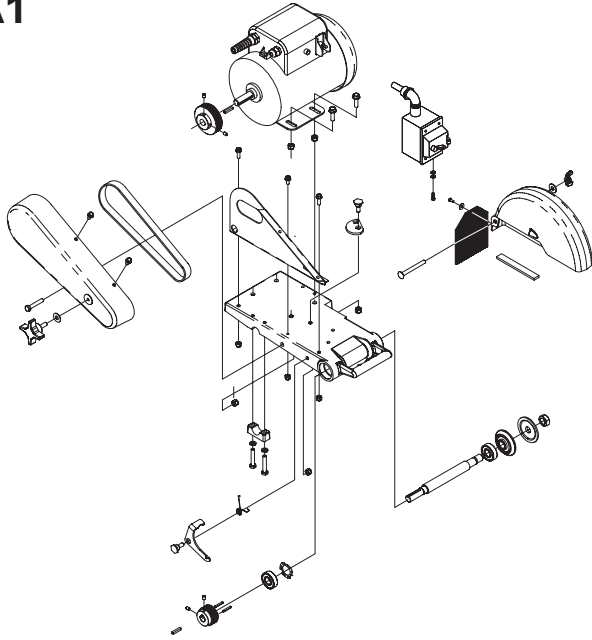
PART NO.	POS.	DESCRIPTION	PART NO.	POS.	DESCRIPTION
			*** Kits ***		
			542 03 21-24*	E	Kit, Water Pump - G300
			542 04 00-49*	D	Kit, Cart Wheel
			542 05 20-04*	A	Kit, Blade Shaft Replacement
			542 16 10-49*	E	Kit, Water Pump - G100 / G150
			542 20 40-33	I	Kit, Wheel - Optional
			-- ITEMS NOT SHOWN --		
			542 20 11-01	N/S	OM Op Instr: TS 250XL
			543 20 11-02	N/S	IPL Parts List: TS 250XL
			PARTS	For	542 20 30-79 Motor (S.V.)
					1.5HP 1725 RPM 115V/60/1
			542 20 30-93	NS	Switch, On-Off
			542 20 30-95	NS	Overload, Manual Reset Thermal
			542 20 30-94	NS	Capacitor, 50 Mfd / 240V (Run)
			542 20 30-96	NS	Capacitor, 189-227 Mfd / 125V (Start)
			PARTS	For	542 19 30-42 Motor (SF 1.15)
					1.5HP 1725 RPM 115V/60/1
			542 19 38-85	NS	Switch, On-Off DPST
			542 03 01-41*	NS	Switch, Dual Voltage Toggle
			542 00 08-73*	NS	Overload, Manual Reset Thermal
			542 16 94-94*	NS	Capacitor, 40 Mfd / 370V (Run)
			542 16 94-93*	NS	Capacitor, 270-324 Mfd / 125V (Start)
			PARTS	For	542 00 06-05 Motor (D.V.)
					1.5HP 3450 RPM 115V-230/60/1
			542 16 15-81*	NS	Switch, On-Off DPST
			542 03 01-41*	NS	Switch, Dual Voltage Toggle
			542 00 08-73*	NS	Overload, Manual Reset Thermal
			None	NS	Capacitor, (Run)
			542 18 91-17*	NS	Capacitor, 485 Mfd / 110V (Start)
See 542 20 11-01 Operator's Manual for Wiring Diagrams					

NOTE: Part No's. that have an ASTERISK (*) suffix may not be active 9-digit numbers. The '542' prefix has been added to current 6-digit part numbers and '0' to 7 and 8-digit numbers.

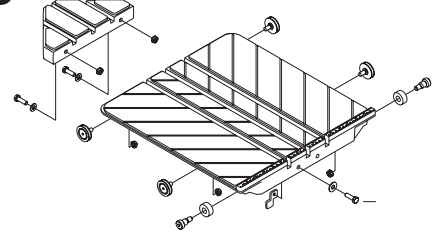
Reference Diagram



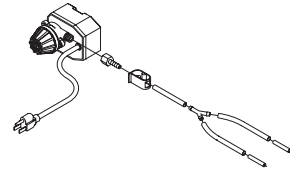
A,A1



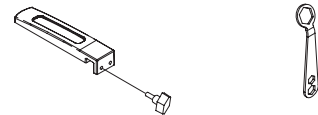
D



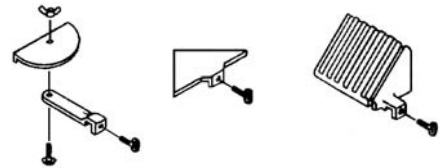
E



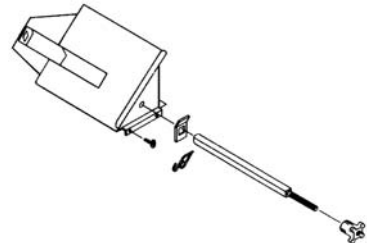
F



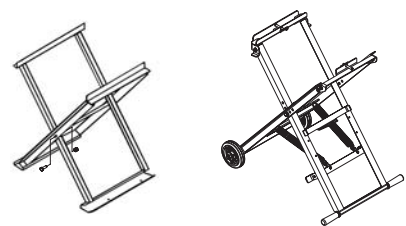
G



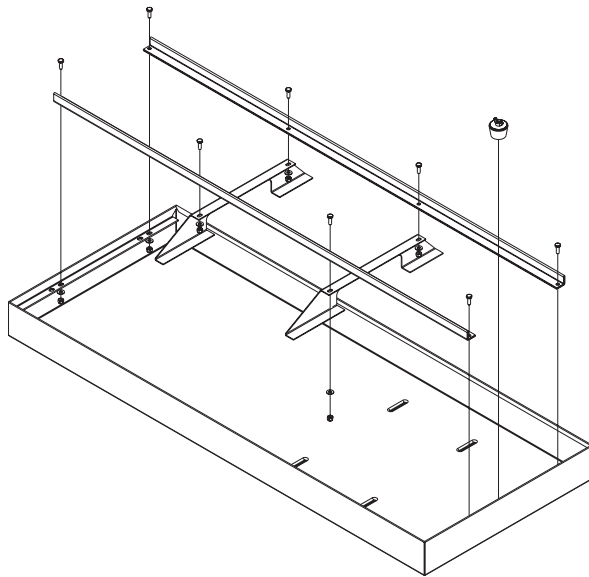
H



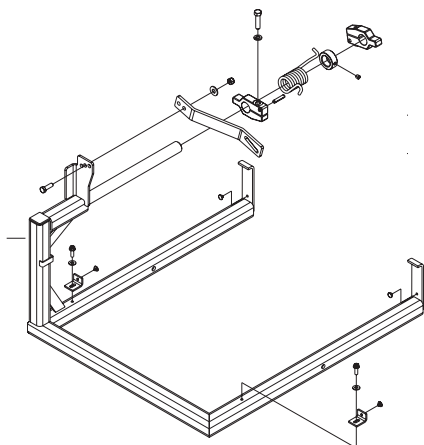
I



B

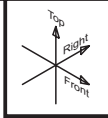


C

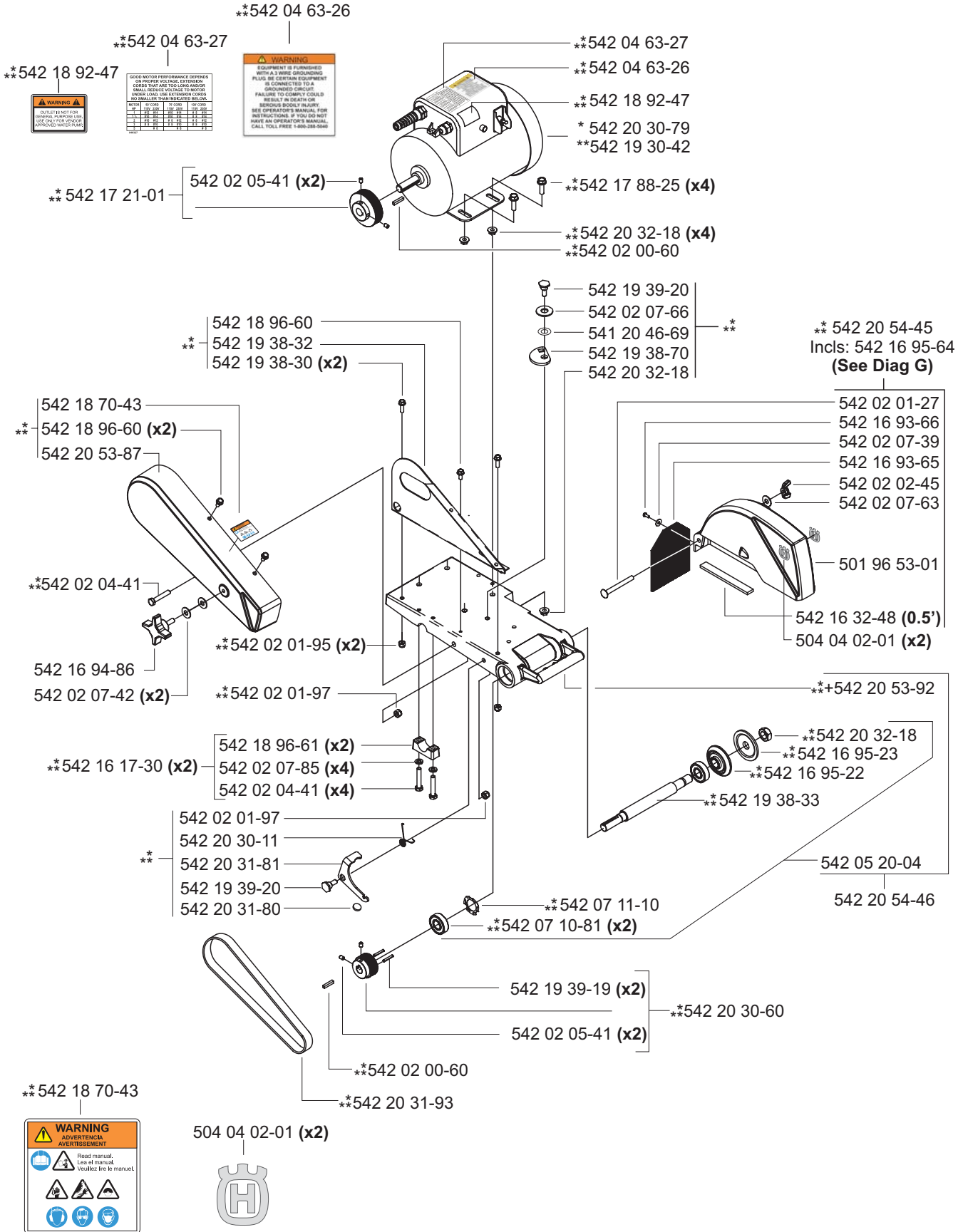


A Cutting Head Assy

* Compl 542 20 54-47 (1.5HP 115V-60Hz)
 ** Compl 542 20 54-48 (1.5HP 115V-60Hz - HT)



12.06.06



GOOD MOTOR PERFORMANCE DEPENDS ON PROPER VOLTAGE. EXTENSION CORDS THAT ARE TOO LONG AND/OR SMALL REDUCE VOLTAGE TO MOTOR AND CAN CAUSE EXTENSION CORDS TO OVERHEAT. DO NOT USE EXTENSION CORDS UNLESS THEY ARE APPROVED FOR THE MOTOR.

Motor HP	0 to 100'	100 to 200'	200 to 300'	300 to 400'	400 to 500'
1/2	10	10	10	10	10
3/4	10	10	10	10	10
1	10	10	10	10	10
1 1/2	10	10	10	10	10
2	10	10	10	10	10
3	10	10	10	10	10
5	10	10	10	10	10
7 1/2	10	10	10	10	10
10	10	10	10	10	10

WARNING
 EQUIPMENT IS FURNISHED WITH A 3 WIRE GROUNDING. PLUS BE CERTAIN EQUIPMENT IS CONNECTED TO A GROUNDED CIRCUIT. FAILURE TO CORRECTLY GROUND THE EQUIPMENT COULD BE DANGEROUS TO YOUR LIFE. SEE OPERATOR'S MANUAL FOR INSTRUCTIONS. IF YOU DO NOT HAVE AN OPERATOR'S MANUAL, CALL TOLL FREE 1-800-388-6848

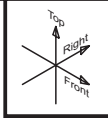
WARNING
 ADVERTENCIA
 AVERTISSEMENT

Read manual.
 Lea el manual.
 Veuillez lire le manuel.

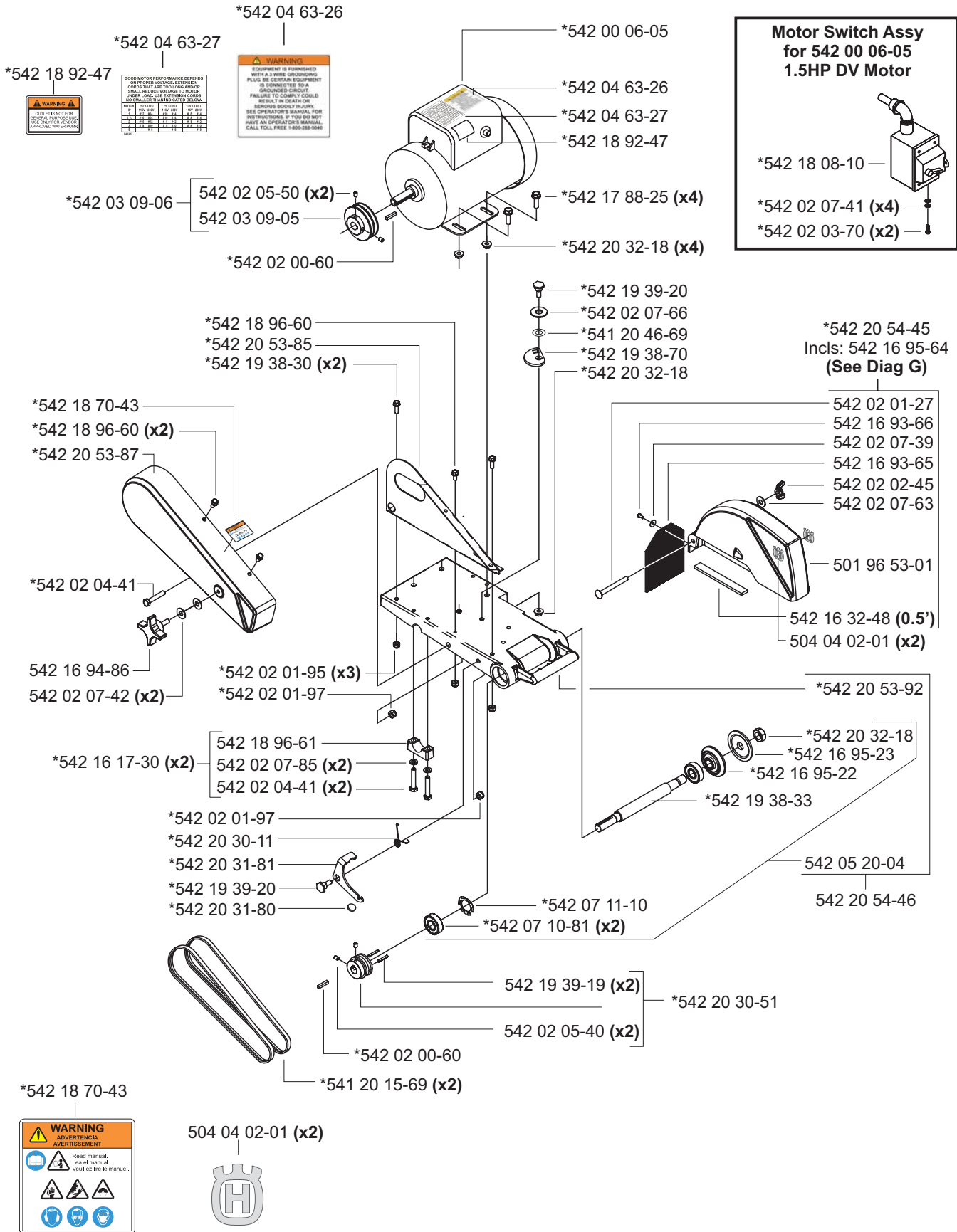


A1 Cutting Head Assy - 1.5HP Dual Voltage

* Compl 542 20 54-49 1.5HP-DV (115V/208-230/60/1)



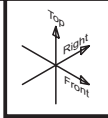
12.06.06



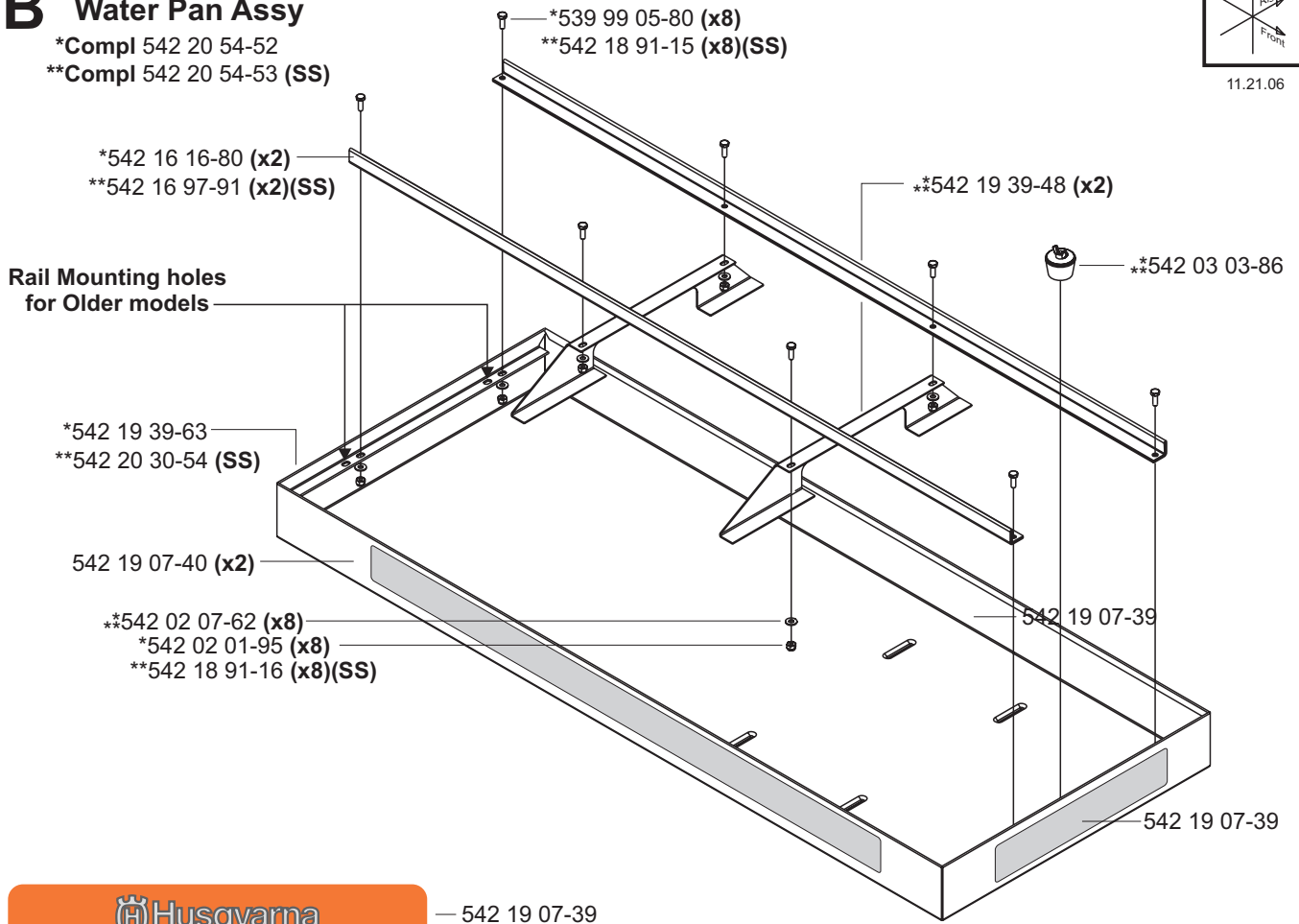
B Water Pan Assy

*Compl 542 20 54-52

**Compl 542 20 54-53 (SS)



11.21.06



Husqvarna

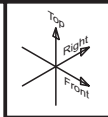
— 542 19 07-39

Husqvarna

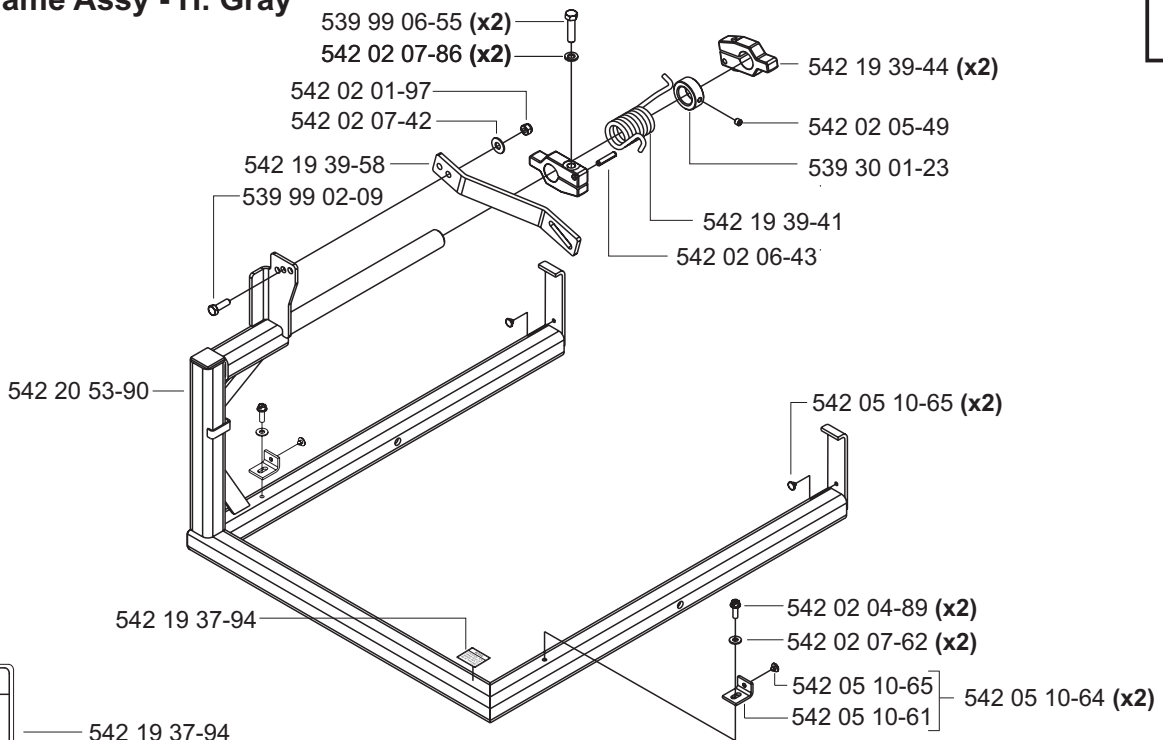
TARGET **SUPERTILEMATIC TS250XL**

— 542 19 07-40

C Frame Assy - H. Gray



08.02.06



NOTICE

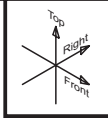
LOCATION FOR
DRAIN HOLE OF
WATER PAN TO
BE AT THIS END

— 542 19 37-94

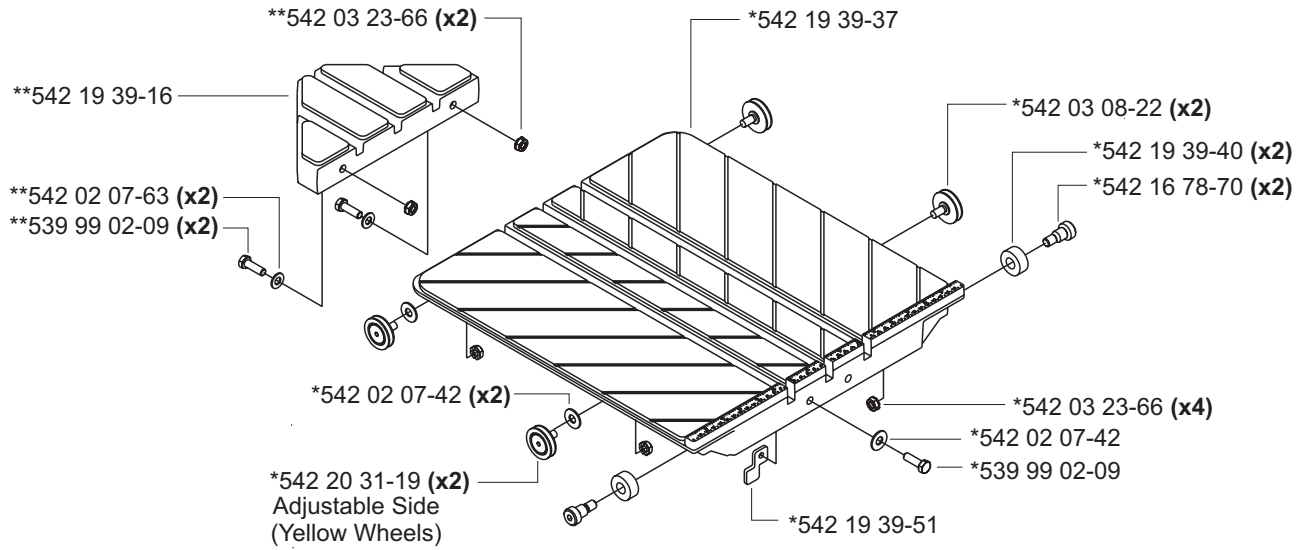
D Conveyor Cart Assy and Extension

*Compl 542 20 30-56

**Compl 542 20 30-37 (Optional Extension)



12.06.06



542 03 00-49 Wheel Kit

E Water Pump & Tube Assy

*Compl 542 05 02-18 (Standard 115V 60Hz)

*Compl 542 16 13-16 (Heavy Duty 115V 60Hz)

*Compl 542 05 02-16 (Heavy Duty 230V 50Hz)

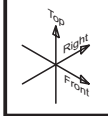
**Compl 542 16 95-63 (32" Tube Assy)

***Compl 542 16 95-64 (72" Tube Assy)

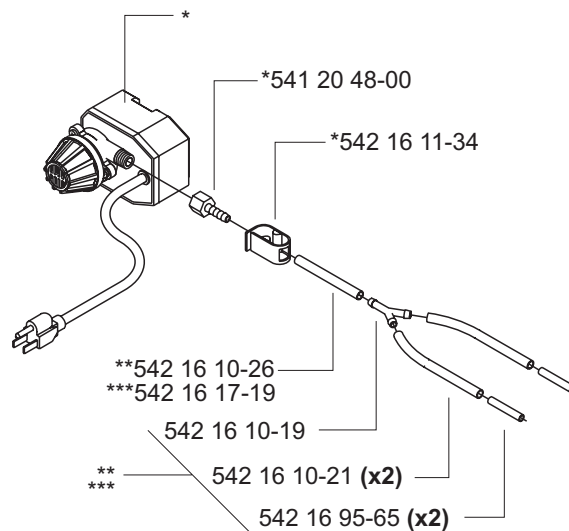
Repair Kits:

542 16 10-49 (G100 Pump - 542 05 02-18)

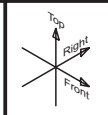
542 16 10-49 (G100 Pump) { 542 16 13-16
542 05 02-16)



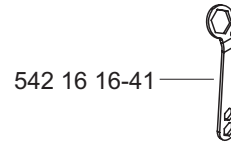
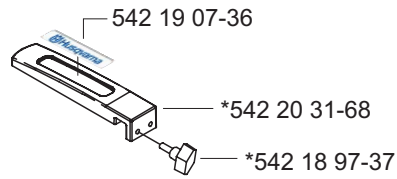
01.13.06



F Tile Saw Accessories and Tools (Standard)



08.18.06



542 19 07-36

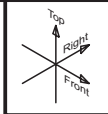
*542 20 30-83
Rip Guide Assy

542 16 16-41
Wrench: 15/16 x 9/16 x 1/2

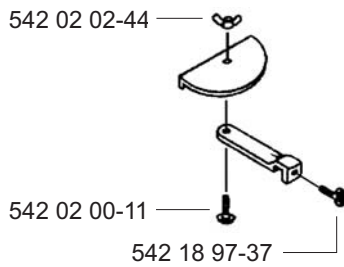


G Tile Saw Accessory Group (Optional)

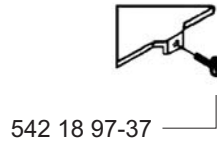
*Compl 542 17 10-65



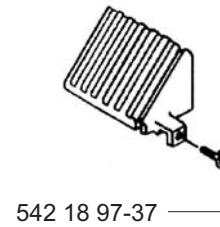
01.28.05



*542 05 10-10
90° Protractor



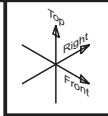
*542 05 10-20
Dual 45° Angle Guide



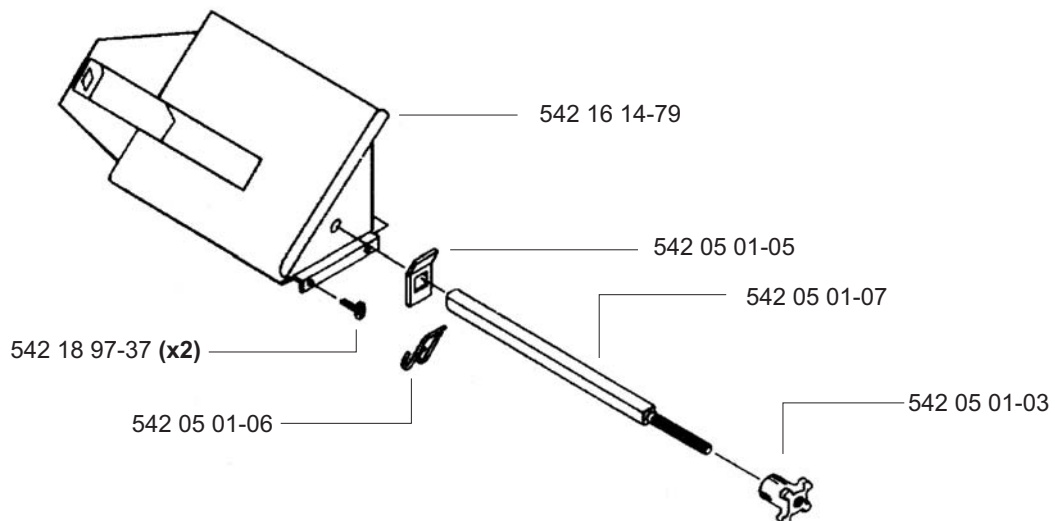
*542 05 10-30
45° Bull Nose Miter

H Tile Saw Accessory (Optional)

Compl 542 16 14-80
45° Mighty Miter

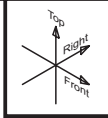


01.28.05

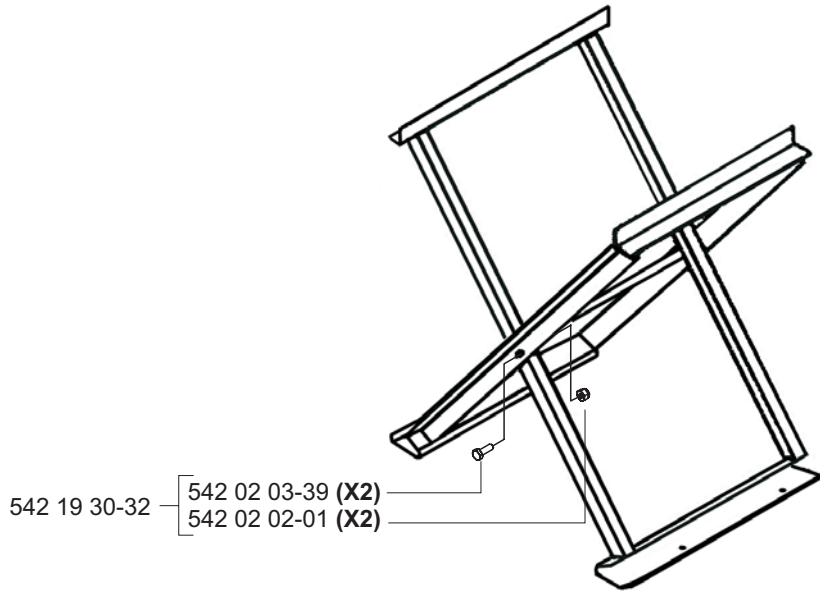


Tile Saw Stands (Optional)

Compl 542 20 32-52
Folding Steel Stand

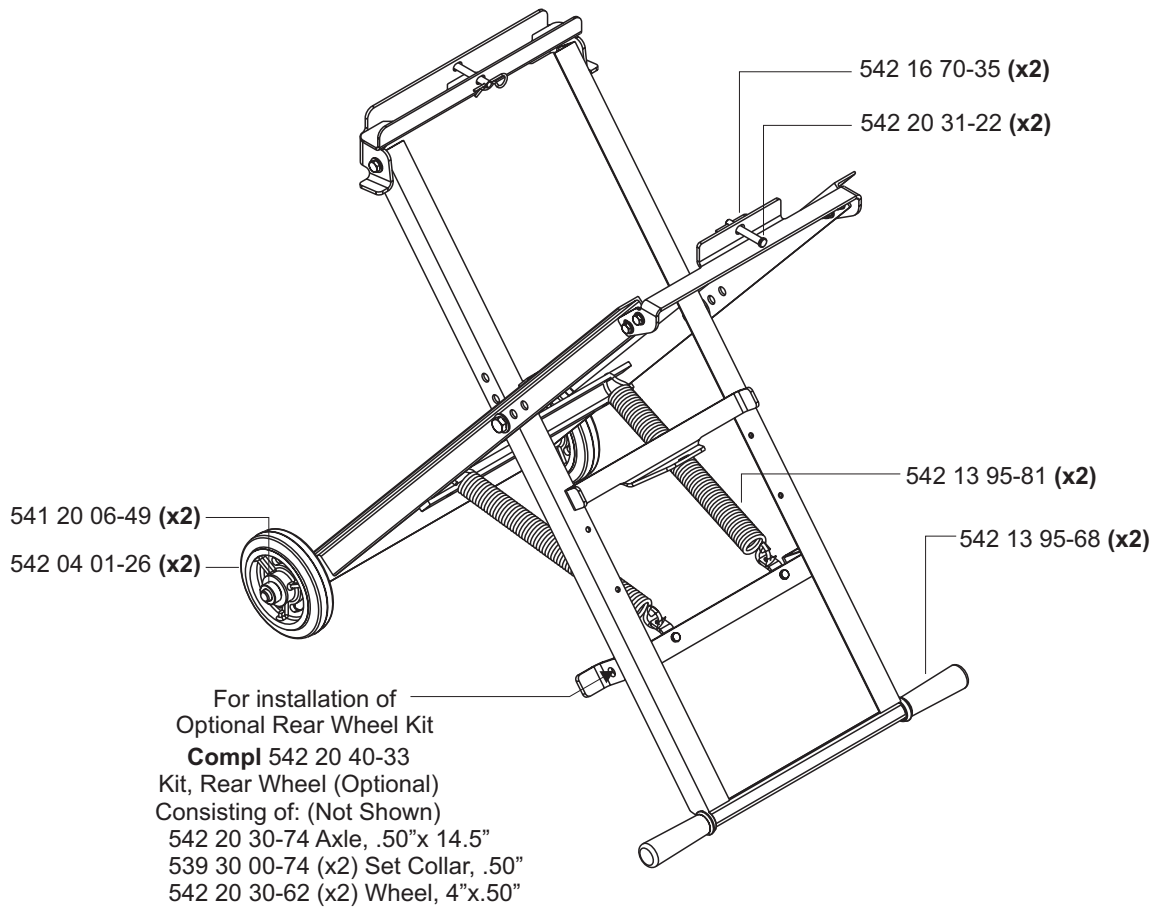


10.25.06



Compl 542 20 32-53
Adjustable Rolling Stand

10.25.06



Husqvarna Construction Products N. A.
Corporate Office
17400 West 119th Street
Olathe, Kansas 66061
Tel. 913-928-1000
Fax 913-438-7951

Customer Service: 800-288-5040
Customer Serv. Fax: 800-825-0028



DUST WARNING



Cutting, especially when DRY cutting, generates dust that comes from the material being cut, which frequently contains silica. Silica is a basic component of sand, quartz, brick clay, granite and numerous other minerals and rocks. Exposure to excessive amount of such dust can cause:

- Respiratory diseases (affecting your ability to breath), including chronic bronchitis, silicosis and pulmonary fibrosis from exposure to silica. These diseases may be fatal;
- Skin irritation and rash; and
- Cancer according to NTP* and IARC*
* National Toxicology Program / International Agency for Research on Cancer

Take precautionary steps

- Avoid inhalation of and skin contact with dust, mist and fumes;
- Wet cut when feasible, to minimize dust;
- Wear and ensure that all bystanders wear appropriate respiratory protection such as dust masks designed to filter out microscopic particles. (See OSHA 29 CFR Part 1910.1200)

California Prop 65 Warning:

Use of this product can cause exposure to materials known to the State of California to cause cancer and/or birth defects or other reproductive harm.



Printed in the USA