

WWS 460

Reservdelar

Spare parts

Ersatzteile

Pieces de rechange

Piezas de repuesto

Ricambi

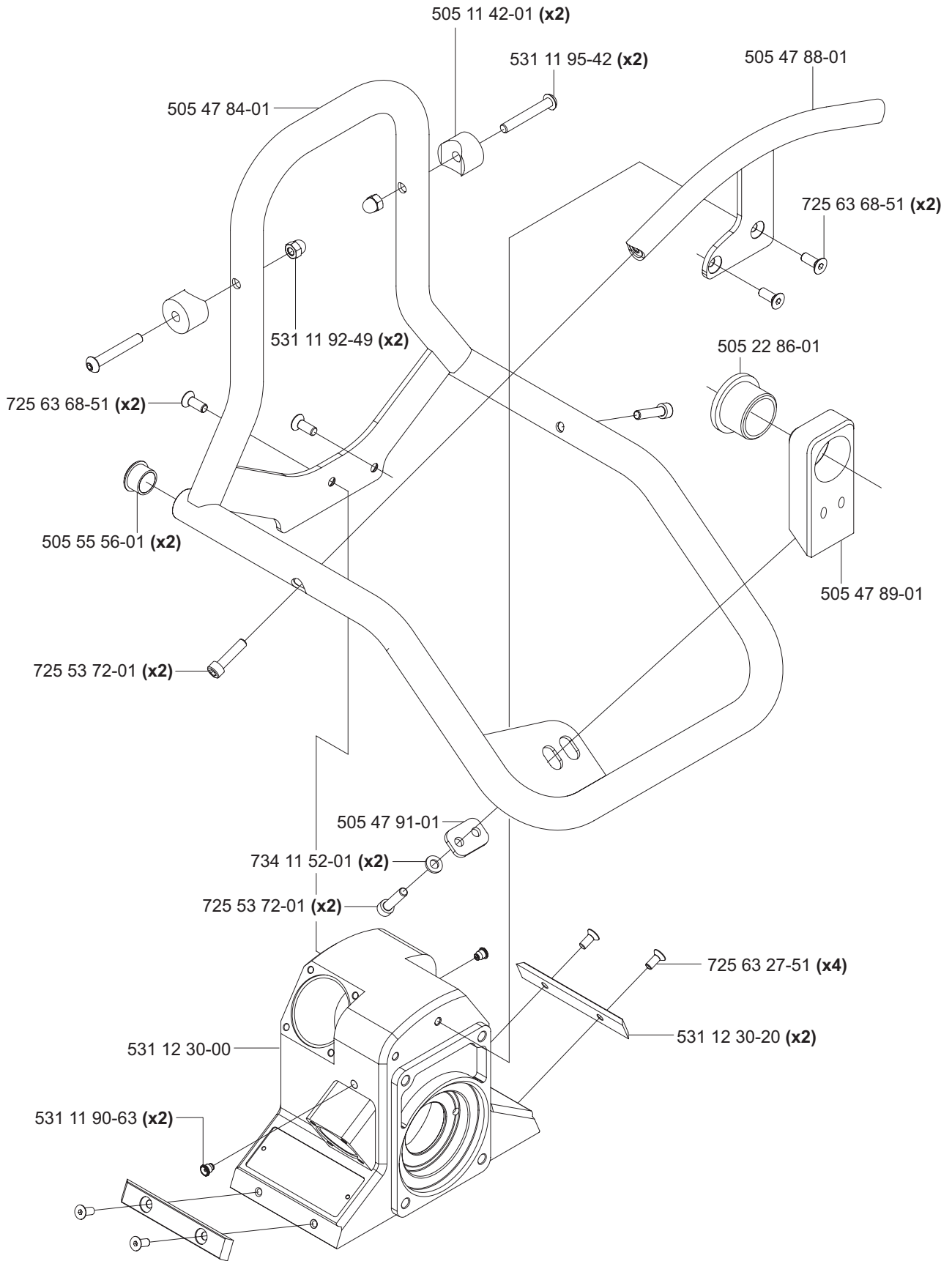
Peças sobresselente

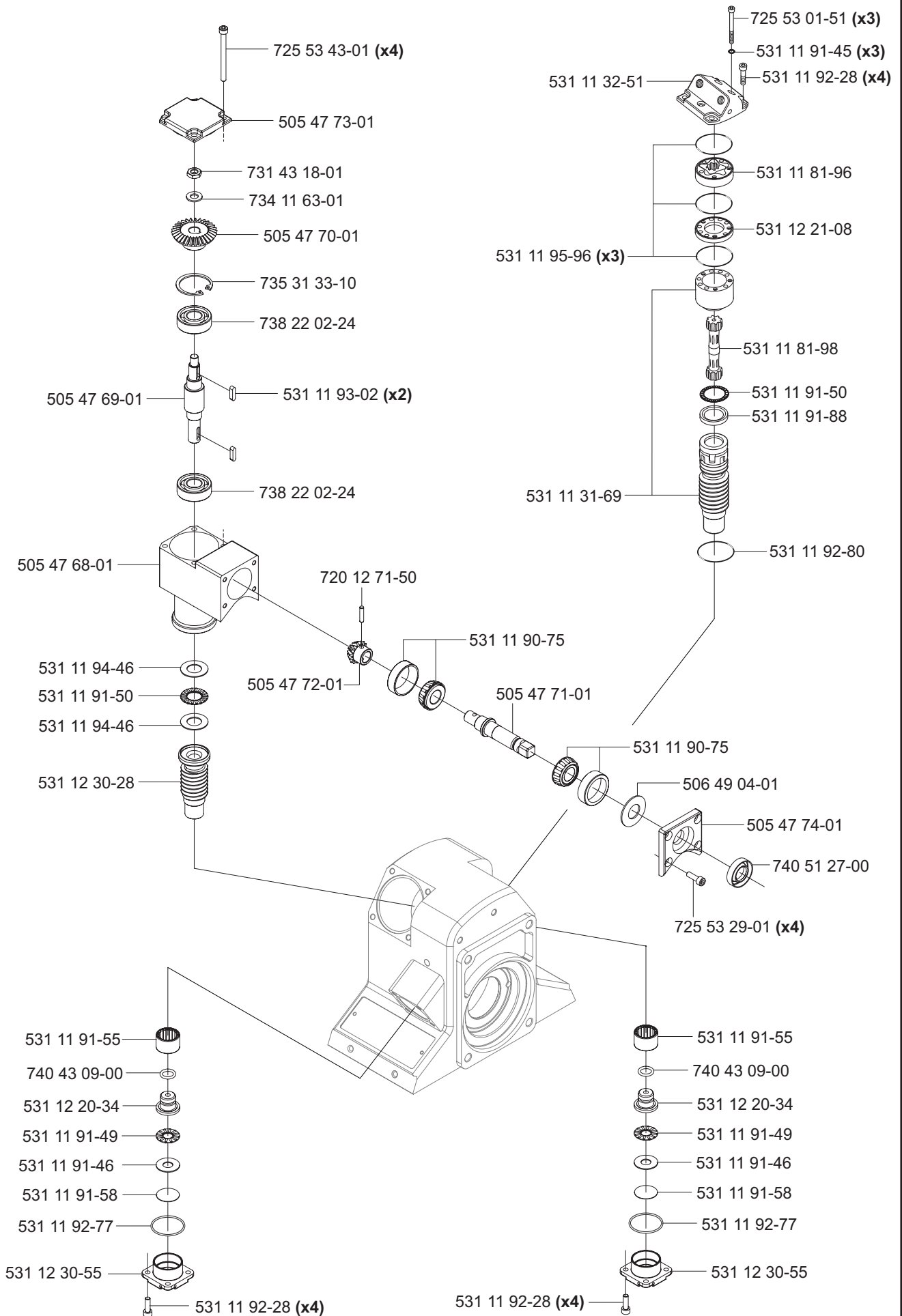
No.	Pos.	Description	No.	Pos.	Description
501 37 29-01	M	Flush guard sect.800 right cpl	505 47 55-01	F	Screw
501 37 30-01	M	Flush guard sect.800 left cpl.	505 47 56-01	F	Oil pipe
501 37 31-01	M	Flushguard sect.1000 right cpl	505 47 57-01	G	Connection
501 37 32-01	M	Flush guard sect.1000 left cpl	505 47 58-01	G	Base plate
501 37 33-01	M	Flushguard sect.1240 Right cpl	505 47 62-01	G	Handle
501 37 34-01	M	Flush guard sect.1240 left Cpl	505 47 63-01	G	Lock washer
501 37 52-01	P	Tool kit	505 47 65-01	F	Block plugged
504 00 50-01	M	Blade guard flush D800 Assy	505 47 66-01	F	Oil pipe
504 00 52-01	M	Blade guard flush D1000 Assy	505 47 68-01	B	Gear housing
504 00 53-01	M	Blade guard flush D1240 Assy	505 47 69-01	B	Shaft
504 10 02-01	J	Scale, angle	505 47 70-01	B	Bevel gear 30
504 10 29-01	P	Tool bag	505 47 71-01	B	Shaft
505 03 02-01	G	Handle	505 47 72-01	B	Bevel gear 15
505 03 91-01	G	Valve	505 47 73-01	B	Cover lid
505 03 94-01	G	Valve	505 47 74-01	B	Cover plate
505 03 95-01	G	Handle	505 47 77-01	R	Tube
505 09 93-01	G	Cup	505 47 78-01	R	Crank
505 11 29-01	K	Mount	505 47 84-01	A	Tube unit
505 11 30-01	K	Excentric	505 47 88-01	A	Crossbar
505 11 31-01	K	Handle bracket	505 47 89-01	A	Bearing
505 11 33-01	K	Beam	505 47 91-01	A	Plate
505 11 34-01	K	Snap locking	505 47 93-01	G	Handle
505 11 35-01	K	Hook	505 47 94-01	G	Handle
505 11 38-01	K	Handle	505 55 52-01	G	Valve
505 11 39-01	K	Shaft seat	505 55 53-01	G	Valve
505 11 40-01	K	Spring	505 55 54-01	G	Spring
505 11 42-01	A	Spacing sleeve	505 55 55-01	G	Handle red
505 11 99-01	L	Tube	505 55 56-01	A	Plastic plug
505 12 00-01	L	Bracket	505 55 57-01	G	Handle
505 12 02-01	L	Cone	505 56 87-01	Q	Water connection
505 12 03-01	L	Cone	506 49 04-01	B	Cup spring
505 12 04-01	L	Shaft	506 49 35-01	R	Crank
505 12 05-01	L	Locking plate	506 74 84-01	Q	Adapter
505 12 06-01	L	Locking plate	510 11 15-01	K	Handle holder
505 12 07-01	L	Locking stop	510 13 91-01	F	Screw M10x180 12.9
505 12 08-01	L	Locking stop	510 19 65-01	P	OIL transmission 150 0,3l.
505 12 09-01	L	Cone	522 73 40-01	L	Outer side 800mm LEFT compl
505 12 10-01	L	Washer	522 73 41-01	L	Outer side 800mm RIGHT compl
505 12 31-01	I	Turning knob	522 73 43-01	L	Centre section 800mm compl
505 12 59-01	H	Rocker lever	522 73 44-01	L	Outer side 1000mm LEFT compl
505 12 60-01	H	Spring	522 73 45-01	L	Outer side 1000mm RIGHT cpl
505 12 82-01	R	Ring	522 73 47-01	L	Centre section 1000mm compl
505 14 02-01	R	Spring pin	522 73 48-01	L	Outer side 1240mm LEFT compl
505 15 29-01	L	Blade guard D800mm Assy	522 73 49-01	L	Outer side 1240mm RIGHT cpl
505 15 30-01	L	Blade guard D1000mm Assy	522 73 51-01	L	Centre section 1240mm compl
505 15 31-01	L	Blade guard D1240mm Assy	531 11 30-37	Q	Water hose 0,8 m with valve
505 15 45-01	R	Adapter	531 11 30-45	I	Track section 1,2 m
505 18 64-01	K	Parallell pin	531 11 30-46	I	Track section 2,0 m
505 18 65-01	K	Screw	531 11 30-47	I	Track section 2,2 m
505 18 66-01	K	Stop screw	531 11 30-78	F	Shaftseal set SCN18x30x6 compl
505 21 61-01	E	Flange, inner	531 11 31-69	B	Worm gear + comm. valve 50:1
505 21 62-01	E	Hub	531 11 32-00	J	Mounting bracket universal Cpl
505 21 64-01	E	Radial seal 50x62x7 RF	531 11 32-44	D	Pivoting arm compl.
505 21 65-01	E	Lock ring SGA 50	531 11 32-46	I	Mounting bracket WS 400
505 21 63-01	E	Radial seal 60x72x4	531 11 32-47	I	Coupling link compl.
505 21 76-01	E	Blade flange compl.	531 11 32-48	I	Track holder compl.
505 21 76-02	E	Blade flange 60mm compl.	531 11 32-51	B	Motor bracket complete
505 22 63-01	R	Adapter	531 11 32-52	B	Feeding motor
505 22 64-01	R	Locking cotter	531 11 32-58	H	Guide wheel conc., compl.
505 22 69-01	H	Carriage WS 400	531 11 32-59	H	Guide wheel exc., compl.
505 22 86-01	A	Bushing	531 11 32-65	J	Measure rod compl.WS 400 serie
505 25 52-01	H	Paralel pin 4x32	531 11 32-68	Q	Cleaning brush with hose
505 28 38-01	F	Valve assy, Relief	531 11 32-71	C	Clutch trackfeeding complete
505 28 40-01	F	Valve assy, Anticavitation	531 11 33-43	Q	Wear hose, water complete
505 32 12-01	R	Adapter 90 3/4" ASSY	531 11 73-43	L	Potentiometer knob
505 32 13-01	R	Adapter 90 3/4"	531 11 80-03	Q	Quick coupling, female 1800 uv
505 40 73-01	F	Hydraulic motor WS 460/463	531 11 80-05	Q	Nipple 1812
505 47 51-01	G	Block plugged	531 11 80-18	Q	Ball valve 3/8
505 47 53-01	F	Block plugged	531 11 81-13	D	Magnetic plug
505 47 54-01	F	Screw	531 11 81-92	Q	Waterhose 1/4" 1 m WS 355

No.	Pos.	Description	No.	Pos.	Description
531 11 81-96	B	Tooth wheel set	531 11 94-43	C	Bearing 16007
531 11 81-98	B	Driving shaft	531 11 94-44	D	Bearing 61909-2RS1
531 11 81-99	G	Knob	531 11 94-45	D	Bearing 61816
531 11 82-18	EQ	Quick coupling, male 13411 M	531 11 94-46	B	Bearing washer AS 1528
531 11 82-19	Q	Quick coupling, female 1300 UV	531 11 94-47	D	Shaft seal BA 50x65x7
531 11 82-56	G	Sequence valve	531 11 94-48	D	O-ring 101,34x1,78
531 11 83-06	GR	Quick coupling Female 3/4"	531 11 94-51	D	O-ring 74,5x3
531 11 83-07	FR	Quick coupling Male 3/4"	531 11 94-53	H	Levell
531 11 83-15	F	Nipple 3/4"	531 11 94-54	H	Spring
531 11 83-18	Q	Waterhose black 1/2	531 11 94-57	H	Bearing bushing
531 11 83-25	Q	Hose nipple 1312	531 11 94-99	D	O-ring 69,5x3
531 11 83-55	Q	Nipple 18210 with net	531 11 95-00	C	O-ring 61x1,6
531 11 90-14	Q	Hose clamp 13-20	531 11 95-04	C	O-ring 71,12x2,62
531 11 90-15	Q	Hose clamp 15-24	531 11 95-25	FG	Sealing ring 3/4
531 11 90-39	C	Bearing washer AS 3552	531 11 95-26	M	Edge list 3,3 Meter WS 400
531 11 90-42	C	Bearing AXK 3552	531 11 95-31	P	Water level to toolkit
531 11 90-63	A	Grease nipple	531 11 95-32	P	Ratchet wrench to toolkit
531 11 90-65	P	Wrench 18 mm	531 11 95-33	P	Wrench 16mm to toolkit
531 11 90-75	B	Bearing 30202	531 11 95-34	P	Socket 18mm to toolkit
531 11 90-98	G	Spring LBR 45F	531 11 95-35	P	Allen key 10mm to toolkit
531 11 90-99	G	Ball 6 mm	531 11 95-36	P	Allen key 8mm to toolkit
531 11 91-08	P	Grease gun	531 11 95-37	P	Allen key 6mm to toolkit
531 11 91-45	B	Washer, copper	531 11 95-38	P	Allen key 5mm to toolkit
531 11 91-46	BH	Bearing washer	531 11 95-39	P	Allen key 4mm to toolkit
531 11 91-49	BGH	Bearing AXK 1024	531 11 95-40	P	Allen key 3mm to toolkit
531 11 91-50	B	Bearing	531 11 95-41	P	Socket 19mm to toolkit
531 11 91-52	I	Rubber plug GL16	531 11 95-42	A	Screw K6S 6x40 10.9 fzb
531 11 91-55	B	Bearing NK 19/16	531 11 95-53	Q	Cleaning brush
531 11 91-58	B	Shim 23.35x1	531 11 95-81	E	Bearing 61810-2RS
531 11 91-65	LM	Blind rivet 4x12 st/st	531 11 95-86	J	Screw MRX M3x5
531 11 91-81	K	Washer 10.5x22	531 11 95-88	H	Seeger circlip SGA 11
531 11 91-83	DIJ	Washer 13x24x2	531 11 95-89	K	Screw K6S 6x20 10.9 fzb
531 11 91-85	D	Sealing ring 1/2"	531 11 95-96	B	O-ring 41x1
531 11 91-88	B	Radial seal GHH2 28x20,5x3,2	531 11 96-01	D	Shaft seal 25x35x7
531 11 92-02	EI	Screw M6S 12x25	531 12 13-44	F	Support washer
531 11 92-03	IJ	Screw M6S 12x30	531 12 14-02	G	Valve lever hub
531 11 92-18	M	Screw M6S 8x25	531 12 16-11	M	Hand wheel
531 11 92-28	BD	Screw MC6S 5x14	531 12 20-27	I	Gear rack 2,0m
531 11 92-35	I	Screw MC6S 8x14	531 12 20-28	I	Gear rack 1,2m
531 11 92-49	A	Nut M6 cap	531 12 20-34	B	Thrust journal
531 11 92-60	L	Washer 5x19x1	531 12 20-43	I	Guide track section 2,0m
531 11 92-62	G	O-ring 18,3x2,4	531 12 20-44	I	Guide track section 1,2m
531 11 92-70	F	O-ring 24,2x3	531 12 20-49	D	Sealing plug
531 11 92-74	D	O-ring 29,2x3	531 12 20-70	I	Safety stop
531 11 92-77	B	O-ring 31,4x1,6	531 12 20-85	G	Valve cover
531 11 92-80	B	O-ring 43x1,6	531 12 20-87	G	Shift valve
531 11 92-90	E	O-ring 61,6x2,4	531 12 21-08	B	Cover
531 11 92-93	F	O-ring 80x1,6	531 12 21-18	I	Clamping washer
531 11 93-02	B	Key 4x4x16	531 12 21-24	I	Gear rack 2,2 m
531 11 93-07	C	Key 6x6x14	531 12 21-25	I	Guide track section 2,2 m
531 11 93-19	F	Shaft seal SCN 18x30x6	531 12 21-68	N	Guide, outer
531 11 93-26	N	Washer 7x22	531 12 21-82	K	Guide wheel shaft, upper
531 11 93-39	G	Plug VSTI M14X1,5	531 12 21-83	K	Wheel
531 11 93-40	F	Plug VSTI R1/2	531 12 22-39	L	Bracket
531 11 93-50	I	Screw MF6S 4x12 12.9	531 12 22-43	M	Locking feather Right
531 11 93-53	M	Screw MLC6S 6x12	531 12 22-44	M	Locking feather left
531 11 93-60	D	O-ring 133,0x1,78	531 12 22-45	M	Lock cone
531 11 93-64	DJ	Spring 2547	531 12 22-51	Q	Water hose
531 11 93-65	F	O-ring	531 12 22-60	M	Top holder
531 11 93-75	C	X-Ring 114,0x1,78	531 12 22-80	C	Friction plate pivoting arm
531 11 93-76	C	O-Ring 94,97x1,78	531 12 23-38	K	Spacer
531 11 93-89	H	Screw MLC6S 5x10	531 12 23-45	L	Splash guard compl.
531 11 94-13	LM	Handle Bladeguard	531 12 23-49	L	Splash shield
531 11 94-20	J	O-ring 40x2	531 12 23-57	J	Friction plate
531 11 94-26	HMN	Screw K6S 6x16 10.9 fzb	531 12 23-58	K	Guide wheel shaft, lower
531 11 94-35	N	Edge list 3,3 Meter	531 12 23-85	N	Bar to bladeguard
531 11 94-39	C	Bearing HK 3520	531 12 23-88	N	Cramp
531 11 94-40	C	Bearing washer AS 5070	531 12 23-90	N	Guide Plate
531 11 94-41	D	Bearing 16005	531 12 24-54	J	Mounting bracket
531 11 94-42	H	Bearing 6001-2RSH	531 12 24-55	J	Shaft

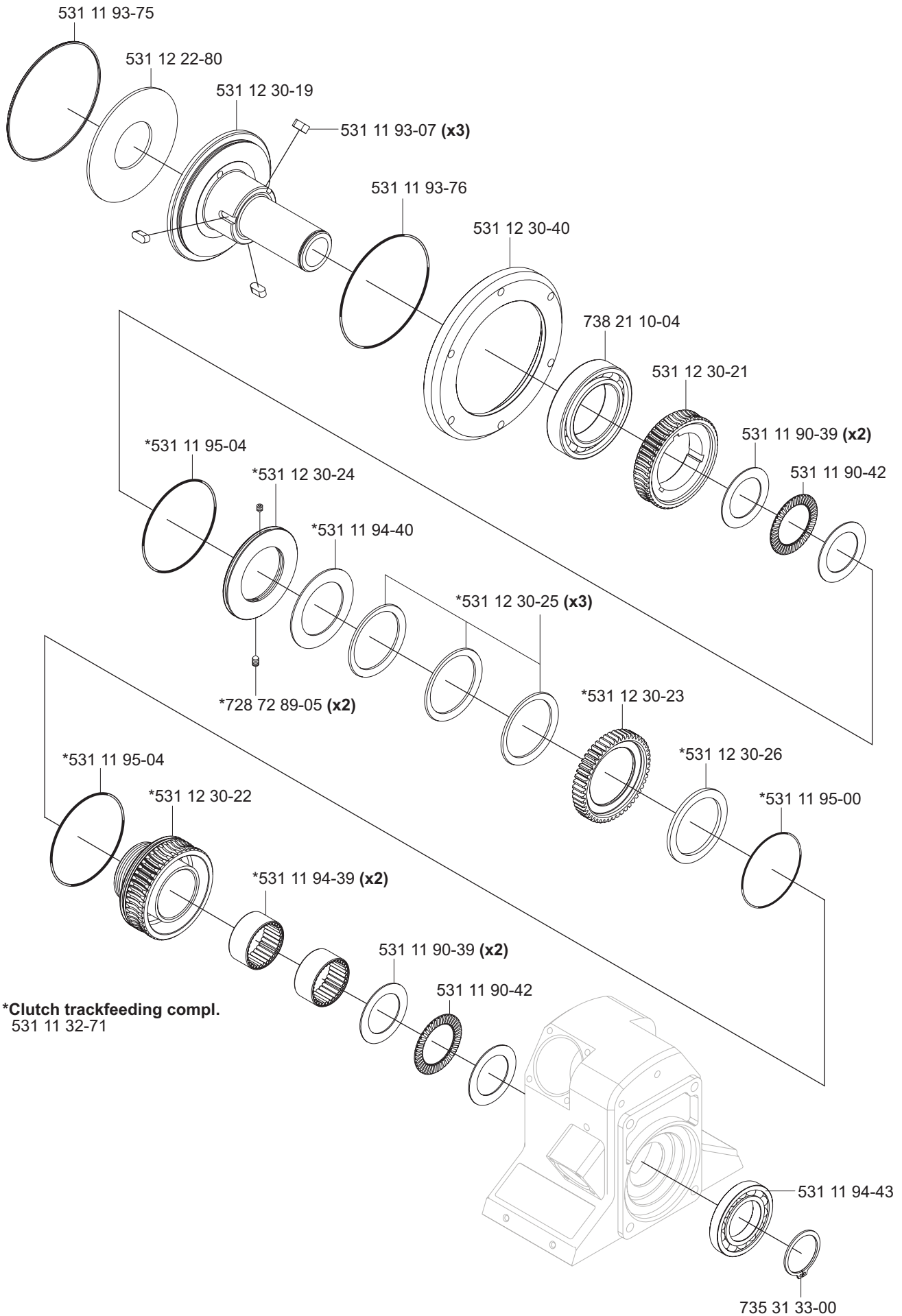
No.	Pos.	Description	No.	Pos.	Description
531 12 24-56	J	Link to spring-holder	720 13 08-50	H	Cylindrical pin 5x16
531 12 24-57	J	Track-holder	720 13 51-50	D	Cylindrical pin 6x16
531 12 24-58	J	Clamping-plate	720 13 52-51	I	Cylindrical pin 6x18
531 12 24-59	J	Clamping-plate, nut	720 13 53-50	J	Cylindrical pin 6x20
531 12 24-60	J	Brake plate	720 13 63-51	G	Cylindrical pin 6x45
531 12 30-00	A	House	720 13 65-51	J	Cylindrical pin 6x50
531 12 30-01	H	Saw carriage	720 13 99-51	G	Cylindrical pin 8x16
531 12 30-02	H	Socket	721 42 57-00	N	Spring pin 4x22
531 12 30-03	H	Holder right	721 42 58-00	G	Spring pin 4x25
531 12 30-04	H	Holder left	723 53 66-51	E	Screw MFS 6x12
531 12 30-05	H	Concentric shaft	725 25 44-91	D	Screw M6S 12x60
531 12 30-06	H	Excentric shaft	725 25 56-51	J	Screw M6S 12x120
531 12 30-07	H	Guide wheel	725 53 01-51	B	Screw MC6S 4x35 12.9
531 12 30-08	H	Nut for guidewheels	725 53 29-01	B	Screw MC6S M5x16
531 12 30-09	H	Handle	725 53 41-01	K	Screw MC6S 5x50
531 12 30-10	H	Bar	725 53 43-01	B	Screw MC6S 5x60
531 12 30-11	H	Excentric locking shaft	725 53 62-01	K	Screw MC6S M6x8
531 12 30-12	H	Locking clamp	725 53 64-01	I	Screw MC6S M6x10
531 12 30-13	H	Sprint	725 53 68-01	HKLM	Screw MC6S 6x16
531 12 30-14	H	Excentric bushing	725 53 70-01	HL	Screw MC6S 6x20
531 12 30-15	H	Feeding shaft	725 53 72-01	A	Screw MC6S 6x25
531 12 30-16	H	Shaft holder	725 53 76-01	F	Screw MC6S 6x35
531 12 30-17	H	Transfer gear	725 53 78-01	F	Screw MC6S 6x40
531 12 30-18	H	Nut for shaft	725 54 53-01	FH	Screw MC6S 8x25
531 12 30-19	C	Arm shaft	725 54 64-01	D	Screw MC6S 8x65
531 12 30-20	A	Wear plate	725 62 85-01	D	Screw MF6S 4x6
531 12 30-21	C	Feeding gear, arm	725 62 87-01	D	Screw MF6S 4x8
531 12 30-22	C	Feeding gear, track	725 63 27-51	AEGK	Screw MF6S 5x12 10.9
531 12 30-23	C	Longitudinal feeding gear	725 63 30-51	KL	Screw MF6S 5x16 10.9
531 12 30-24	C	Tensioning nut	725 63 66-51	DE	Screw MF6S 6x12 10.9
531 12 30-25	C	Cup spring	725 63 68-51	ADKLM	Screw MF6S 6x16 10.9
531 12 30-26	C	Friction plate	725 63 70-51	EKN	Screw MF6S 6x20 10.9
531 12 30-27	H	Bushing	725 64 47-51	E	Screw MF6S 8x12 10.9 fzb
531 12 30-28	B	Feeding screw	725 64 89-51	E	Screw MF6S 10x16 10.9
531 12 30-30	D	Input gear	728 72 89-05	C	Stop screw S6SS 4x10
531 12 30-31	D	Stub gear	728 73 64-05	H	Stop screw S6SS 6x10
531 12 30-32	D	Medial gear	731 43 18-01	B	Nut M8 low
531 12 30-33	E	Flange, outer	731 43 20-01	HKN	Nut M10 low
531 12 30-35	D	Blade shaft	732 25 14-01	K	Nut M5 Nylock
531 12 30-36	D	Cover plate	732 25 16-01	N	Nut M6 Nylock
531 12 30-40	C	Clutch plate	732 25 22-71	DJ	Nut M12 Nylock 10.9
531 12 30-41	D	Mounting plate	734 11 35-71	H	Washer 4.3x8
531 12 30-43	D	Medial shaft	734 11 52-01	A	Washer 6.4x12
531 12 30-44	D	Medial spacer	734 11 63-01	BDFI	Washer 8.4x16
531 12 30-46	D	Collar	735 31 28-10	H	Seeger circlip
531 12 30-47	D	Collar plate	735 31 30-10	F	Seeger circlip
531 12 30-48	E	60mm bushing	735 31 33-00	C	Seeger circlip SGA 35
531 12 30-51	E	Plate for hub	735 31 33-10	BK	Seeger circlip SGH 35
531 12 30-55	B	Cover plate	738 21 05-00	D	Bearing 6005
531 12 30-56	E	Water block	738 21 10-04	C	Bearing 6010-2RS1
531 12 30-57	E	Water connection	738 22 02-24	BK	Bearing 6202-2RS1 C2
531 12 30-59	LM	Rail holder	740 38 18-01	F	Sealing ring 1/8
531 12 30-63	LM	Rail	740 38 27-01	EQ	Sealing ring 1/4
531 12 30-66	K	Cover	740 38 34-01	Q	Sealing ring 3/8
531 12 30-70	K	Handle	740 42 07-00	EF	O-ring 9,1x1,6
531 12 30-71	K	Excentric shaft	740 42 14-00	H	O-ring 16,1x1,6
531 12 30-73	LM	Slide rail	740 43 07-00	FGI	O-ring 9,3x2,4
531 12 30-74	P	Pin socket	740 43 09-00	B	O-ring 11,3x2,4
531 12 30-75	I	Track holder	740 43 11-00	D	O-ring 13,3x2,4
531 12 30-76	I	Clamping plate	740 44 04-00	F	O-ring 19,2x3
531 12 30-86	LM	Rail holder 2	740 44 05-00	EG	O-ring 22,2x3
531 12 30-87	N	Handle bladeguard 1240mm	740 44 07-00	G	O-ring 26,2x3
531 12 30-91	N	Handle	740 51 27-00	B	Shaft seal BA 15x30x7
531 12 30-95	E	Water hose			
531 12 30-96	I	Coupling link			
531 12 30-97	I	Clamping washer			
531 12 31-28	D	Seal for arm			
531 12 32-49	D	Pivoting arm			
720 12 65-50	G	Cylindrical pin 4x6			
720 12 71-50	BH	Cylindrical pin 4x18			

A WS 460





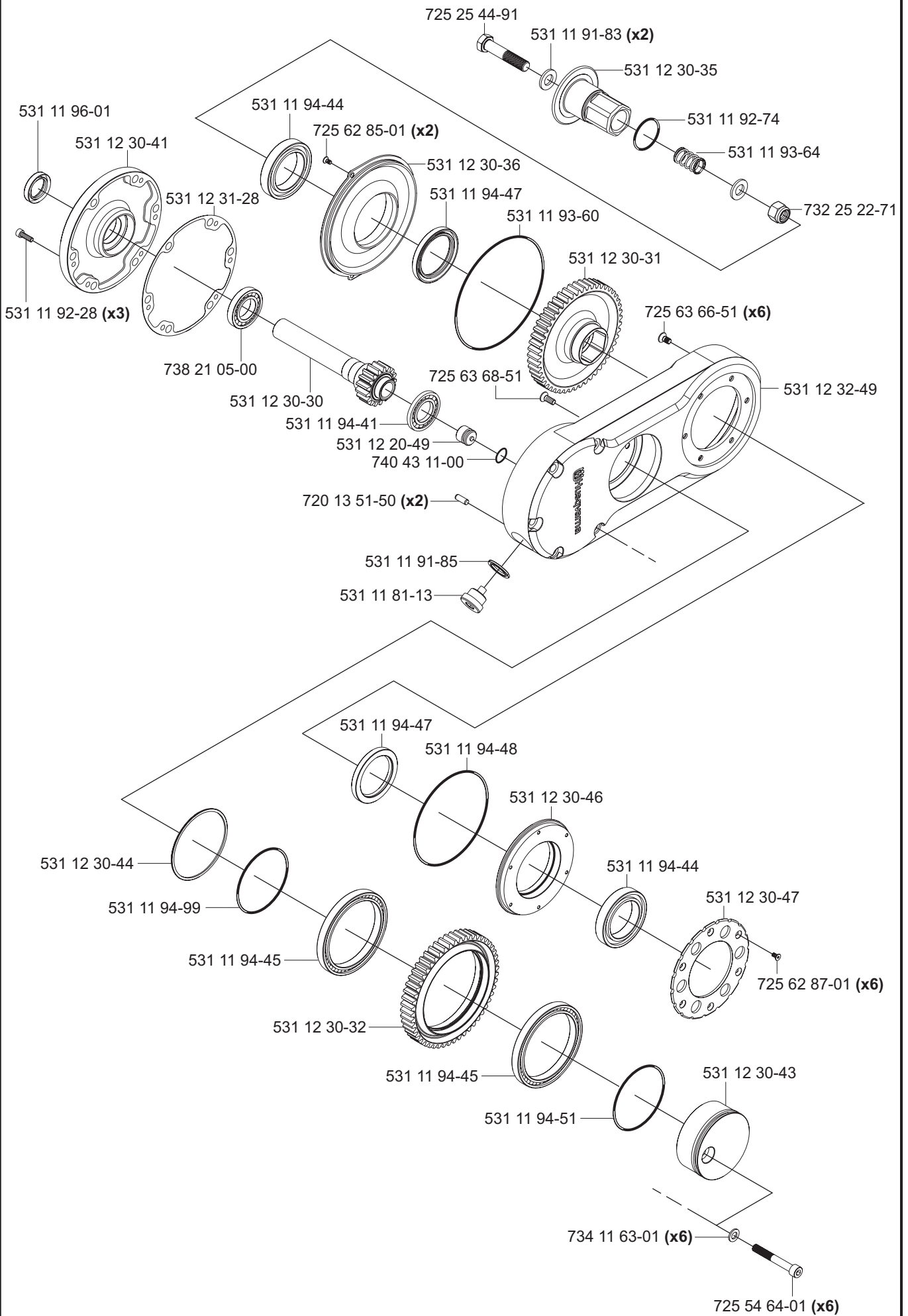
C WS 460



D

WS 460

Pivoting arm complete 531 11 32-44

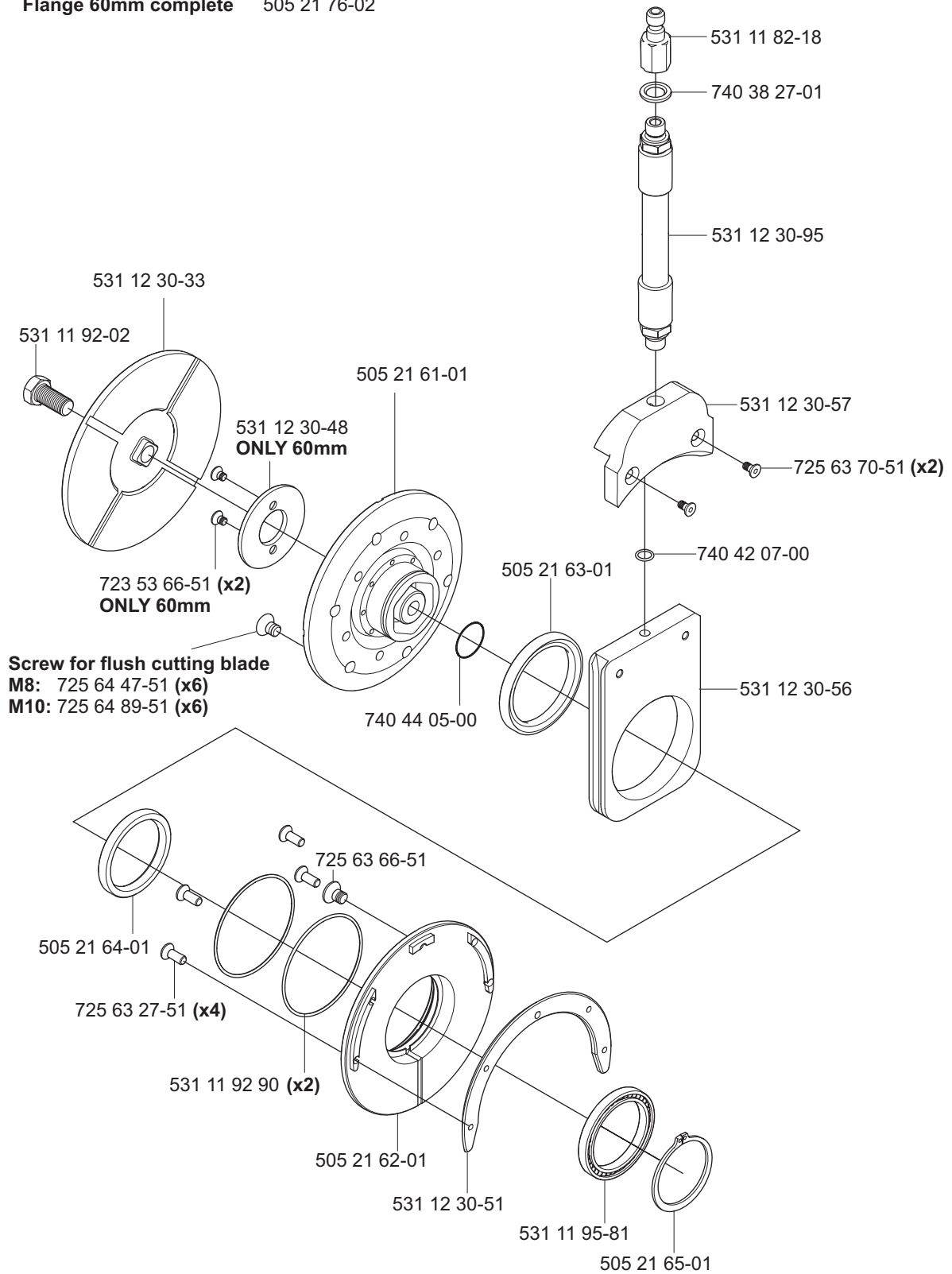


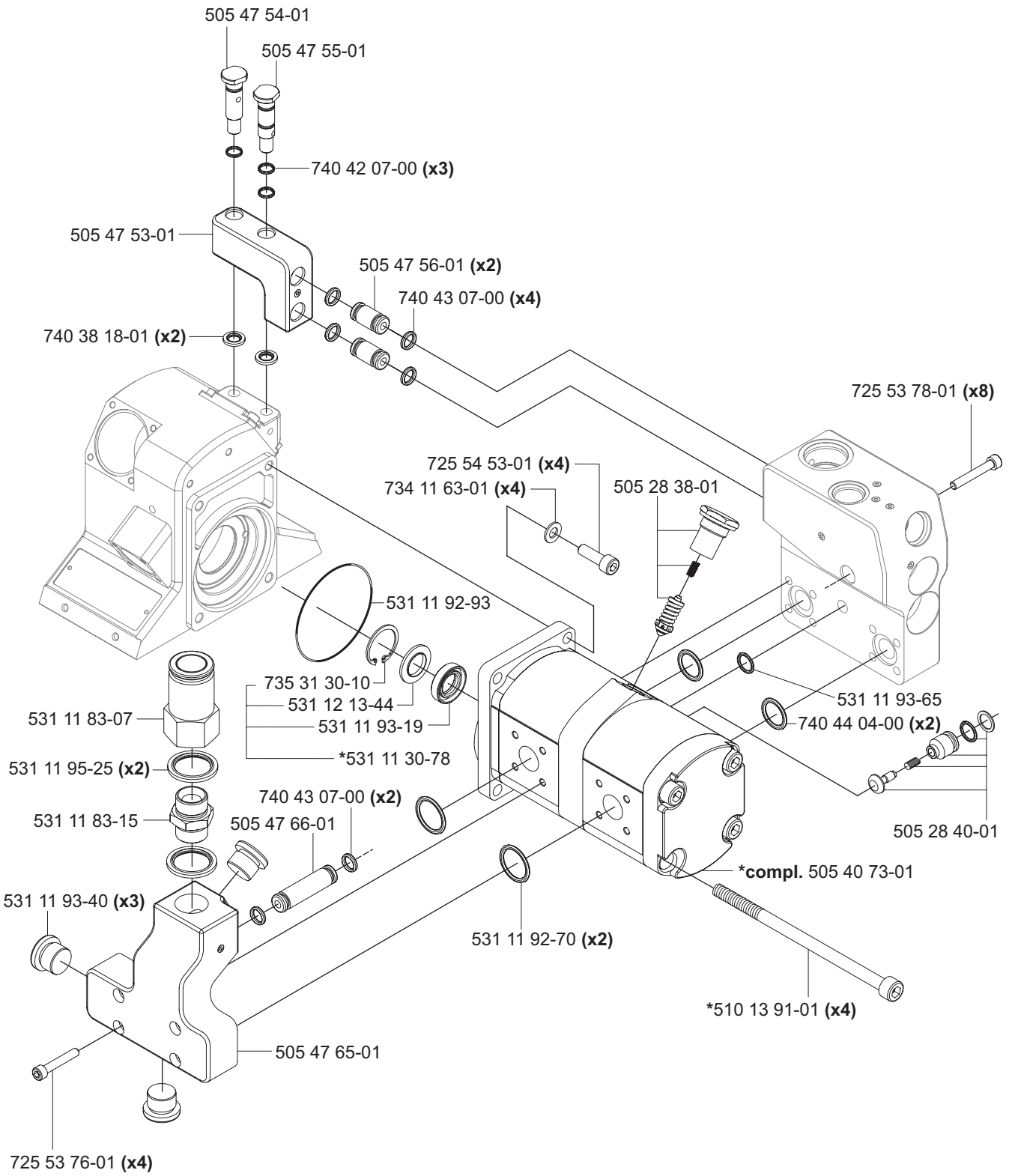
E

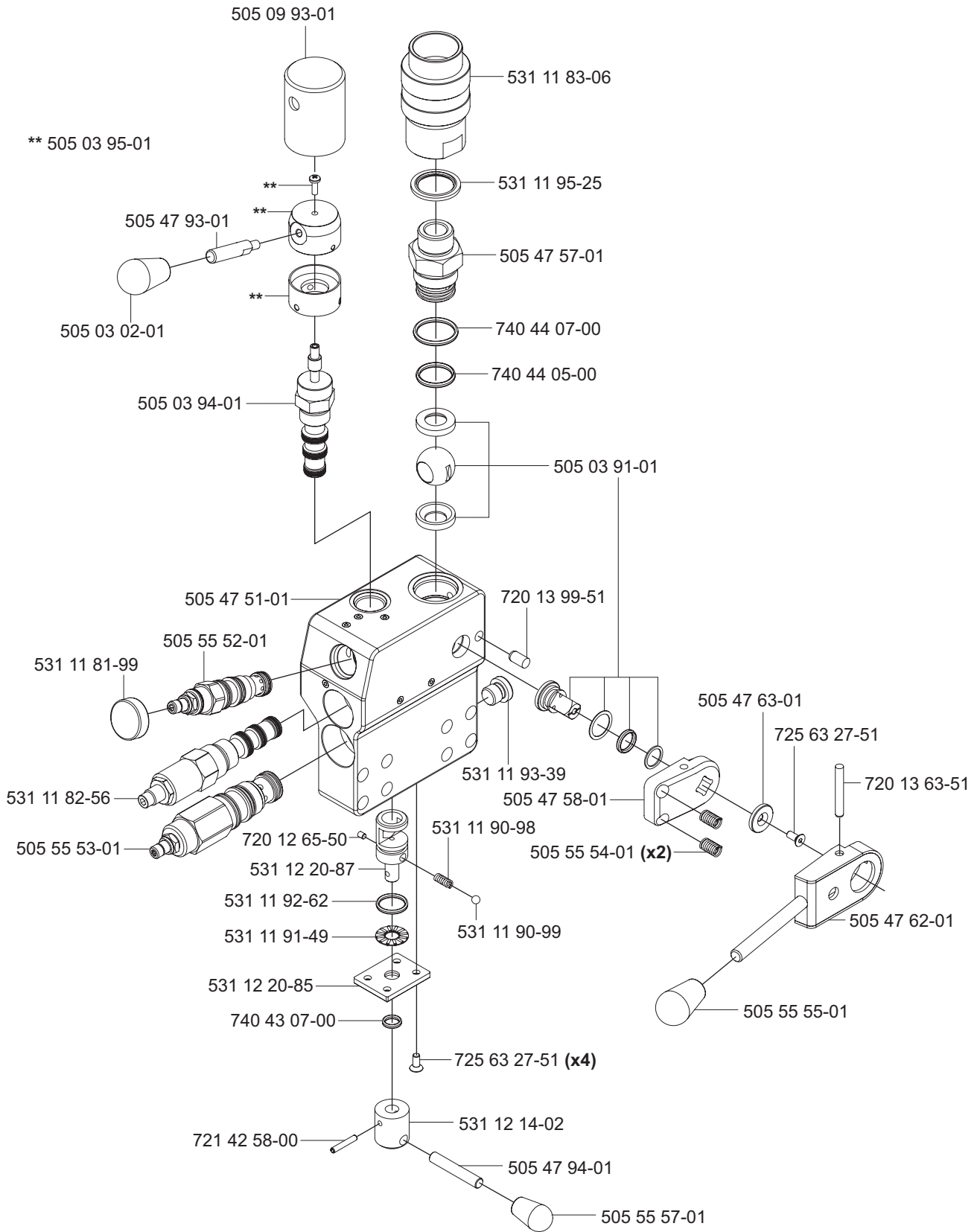
WS 460

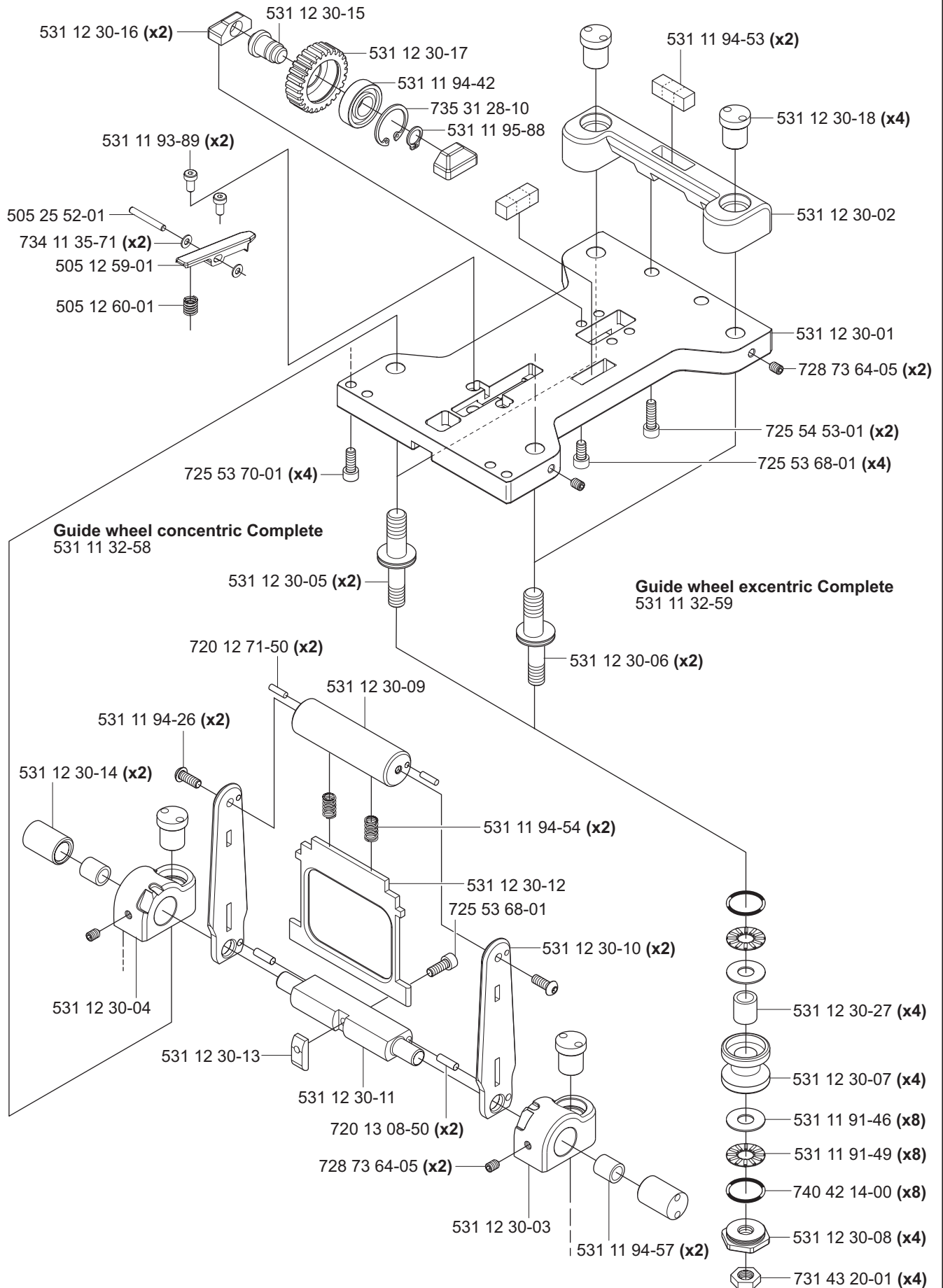
Flange 1" complete 505 21 76-01

Flange 60mm complete 505 21 76-02







H**WS 460****Saw carriage 400 complete 505 22 69-01**

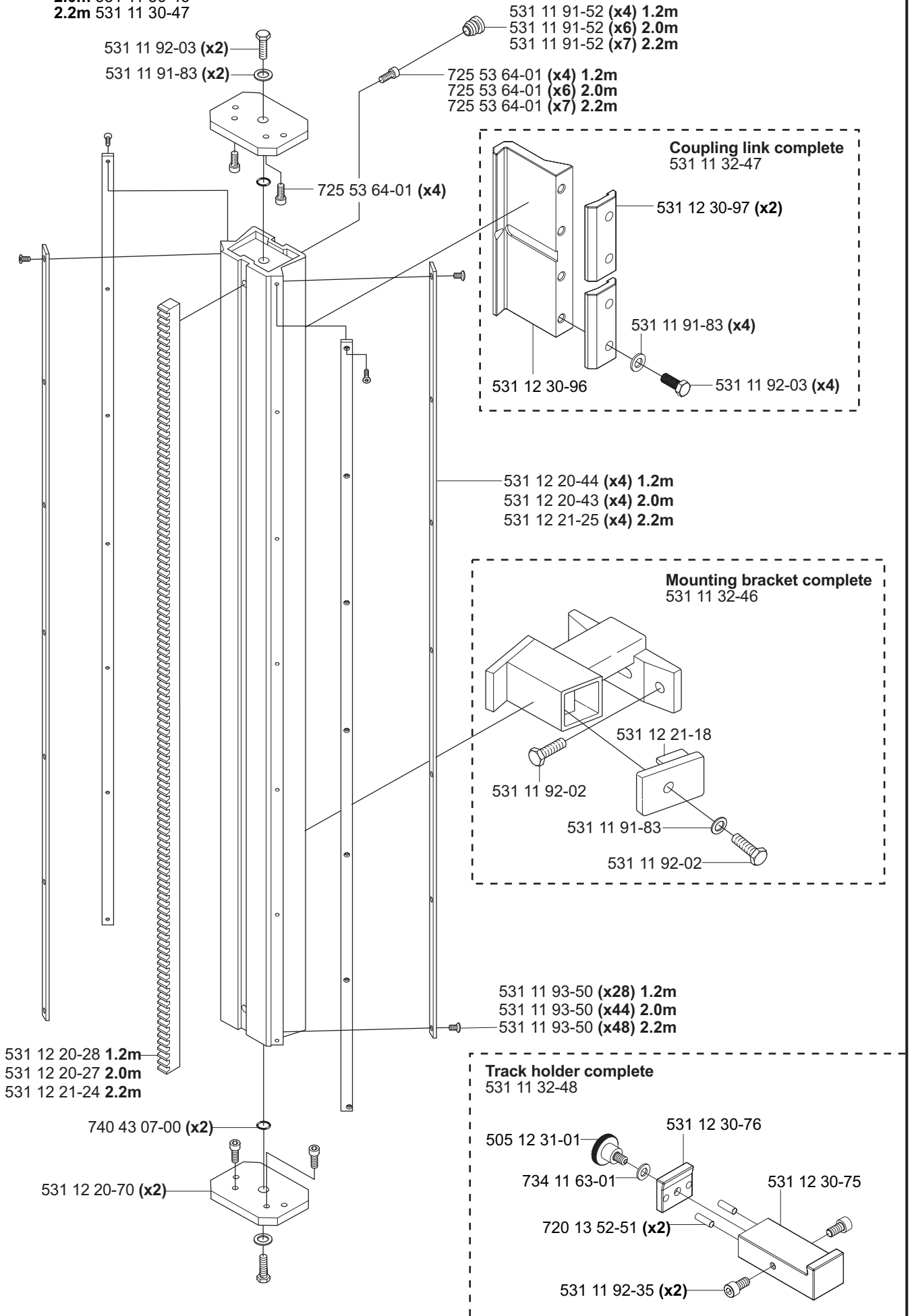
WS 460

Track 400 complete

1.2m 531 11 30-45

2.0m 531 11 30-46

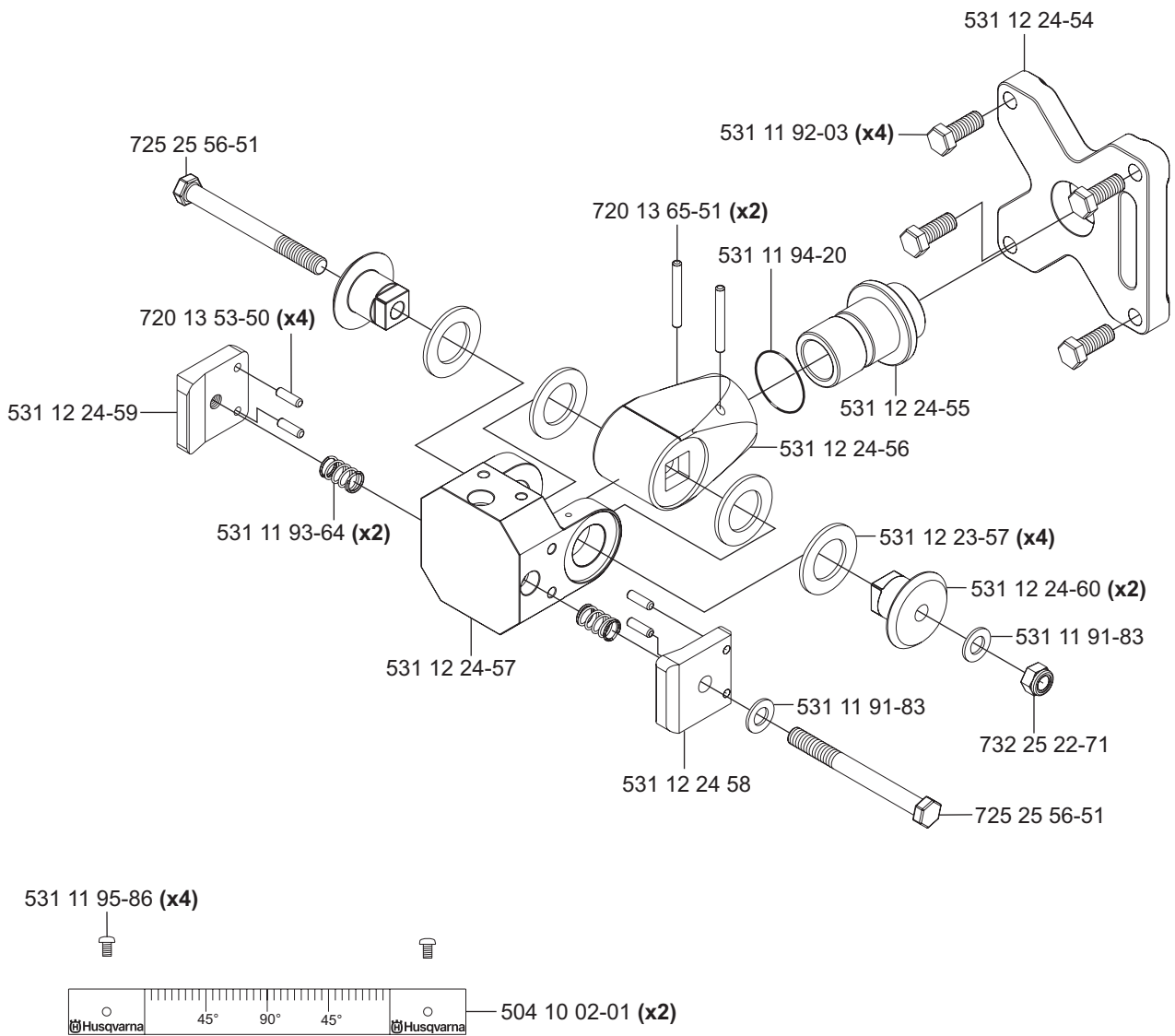
2.2m 531 11 30-47



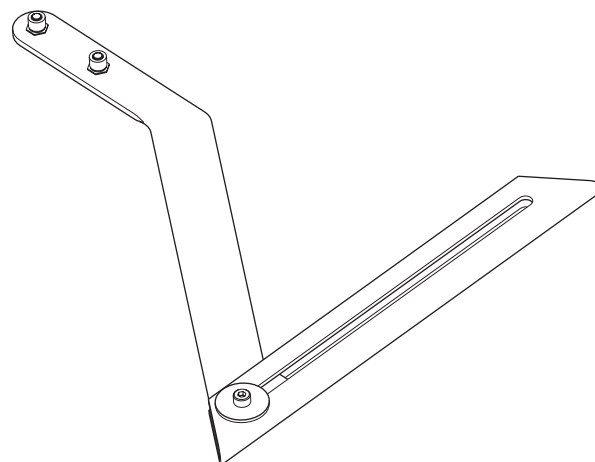
J**WS 460**

Tillbehör
 Accessories
 Zubehöre
 Accessoires
 Accesorios

**Mounting bracket Universal
 compl. 531 11 32-00**



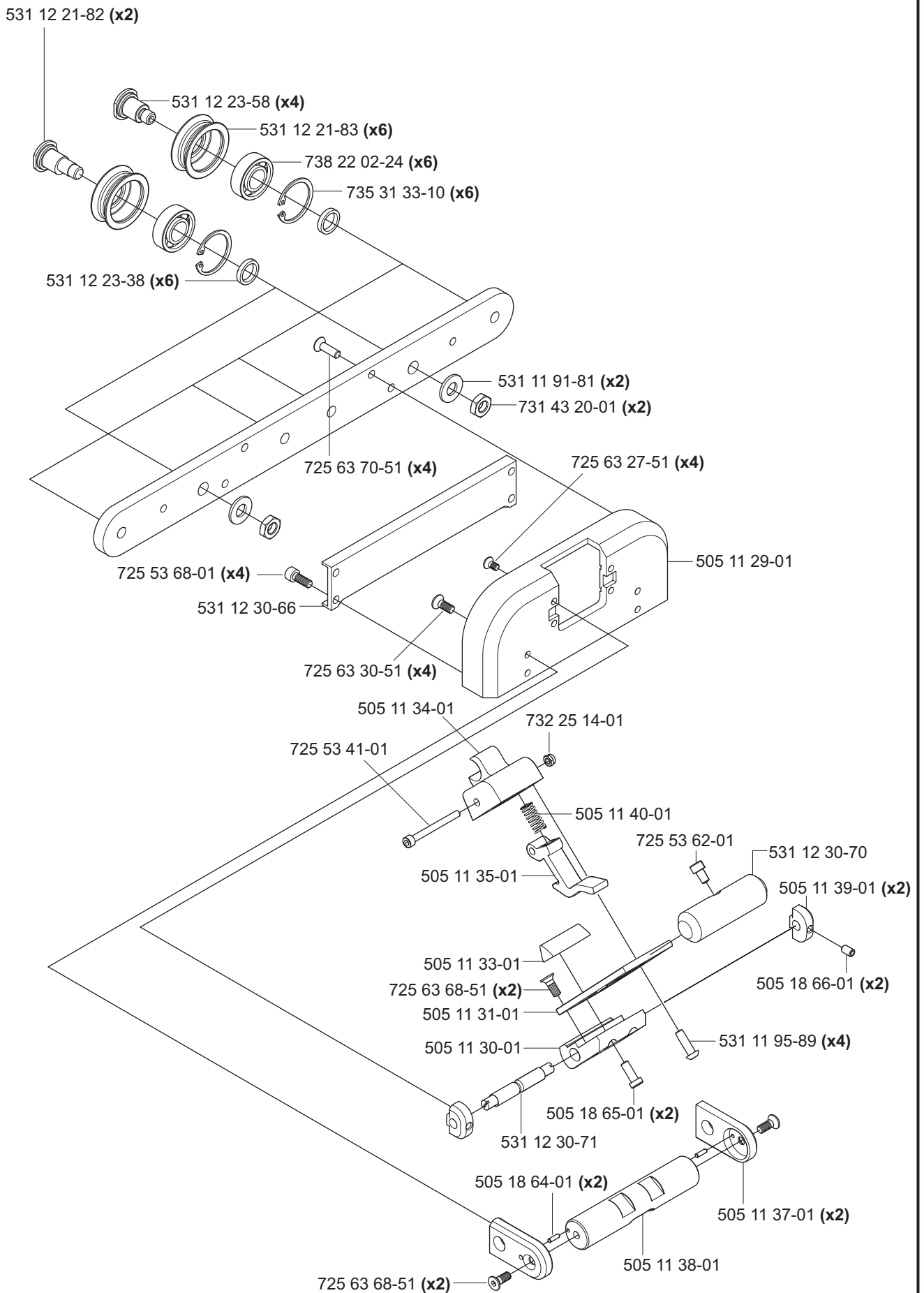
Measure rod complete 531 11 32-65



K

WS 460

Blade guard guide Complete 505 18 74-01





WS 460

Blade guard Complete

800mm 505 15 29-01 725 53 68-01(x2)

1000mm 505 15 30-01

1240mm 505 15 31-01

Outer side, RIGHT compl.

800mm 522 73 41-01

1000mm 522 73 45-01

1240mm 522 73 49-01

505 12 06-01 (x2)

725 53 68-01 (x8)

505 12 00-01 (x4)

505 11 99-01 (x2)

Centre section compl.

800mm 522 73 43-01

1000mm 522 73 47-01

1240mm 522 73 51-01

725 63 30-51 (x8)

505 12 02-01 (x2)

505 12 04-01 (x2)

505 12 05-01 (x2)

Outer side, LEFT compl.

800mm 522 73 40-01

1000mm 522 73 44-01

1240mm 522 73 48-01

505 12 08-01

725 53 68-01 (x2)

505 12 07-01 (x2)

531 11 94-13

531 12 30-59

531 12 30-86

505 12 10-01 (x4)

505 12 09-01 (x4)

725 53 70-01 (x4)

531 11 91-65 (x11)

531 12 30-73

531 12 30-73

531 12 30-63 (x2)

725 53 68-01 (x2)

505 12 07-01

505 12 03-01 (x2)

531 11 73-43 (x2)

531 11 91-65 (x11)

531 12 30-59

505 12 08-01

725 53 68-01 (x2)

*531 11 92-60 (x12)

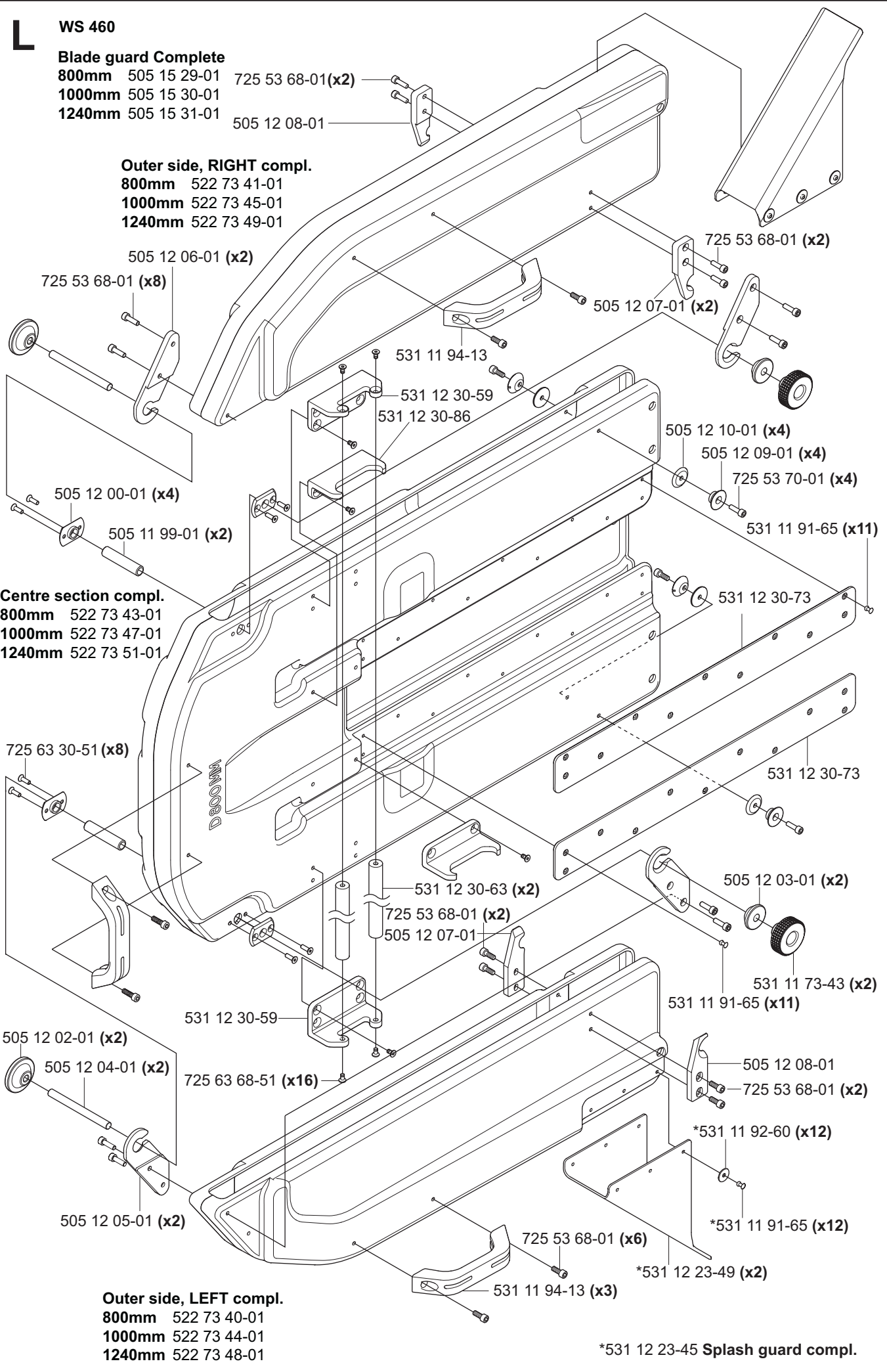
*531 11 91-65 (x12)

725 53 68-01 (x6)

*531 12 23-49 (x2)

531 11 94-13 (x3)

*531 12 23-45 Splash guard compl.



M**WS 460****Flush blade guard compl.**

800mm 504 00 50-01

1000mm 504 00 52-01

1240mm 504 00 53-01

Outer side, right compl.

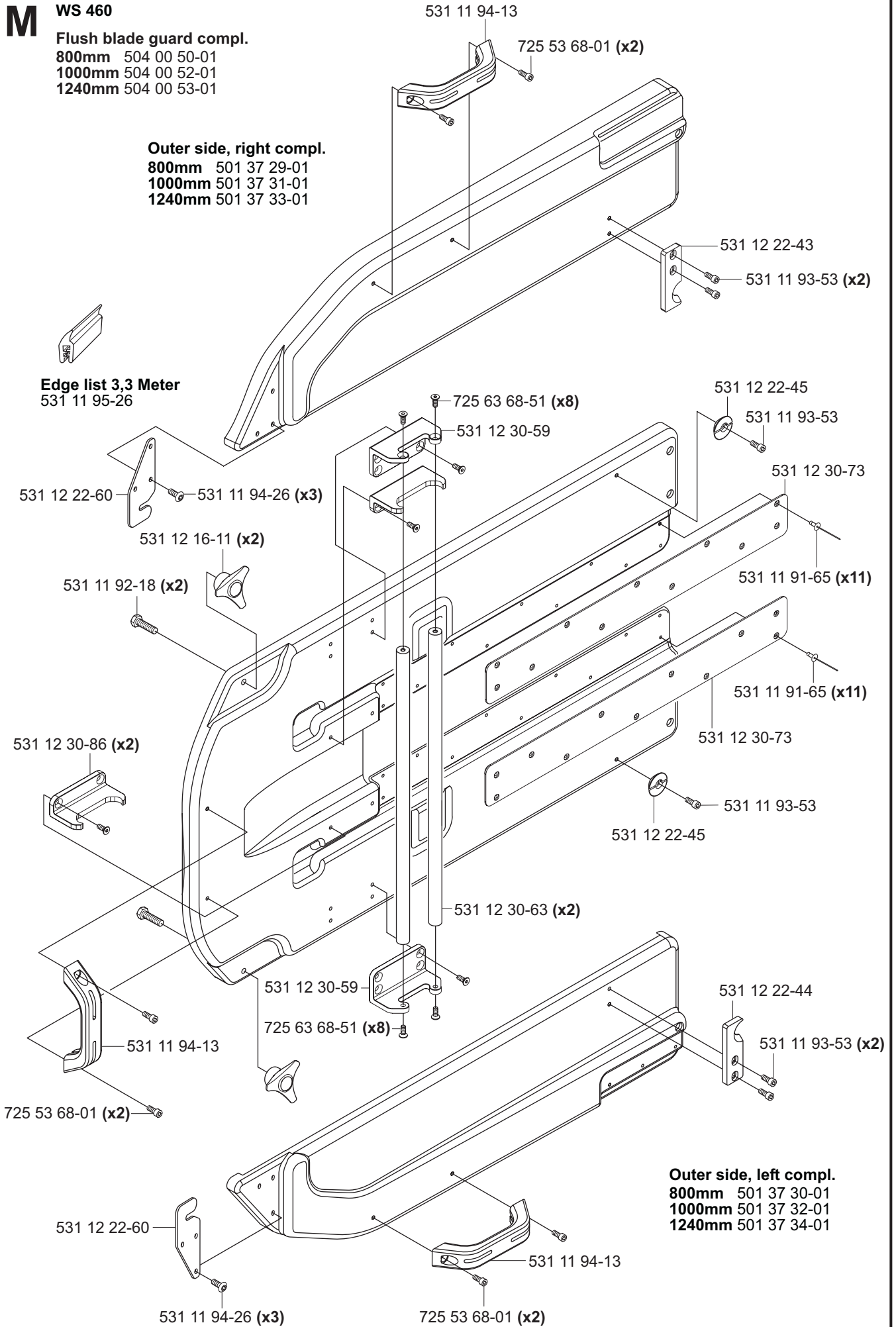
800mm 501 37 29-01

1000mm 501 37 31-01

1240mm 501 37 33-01

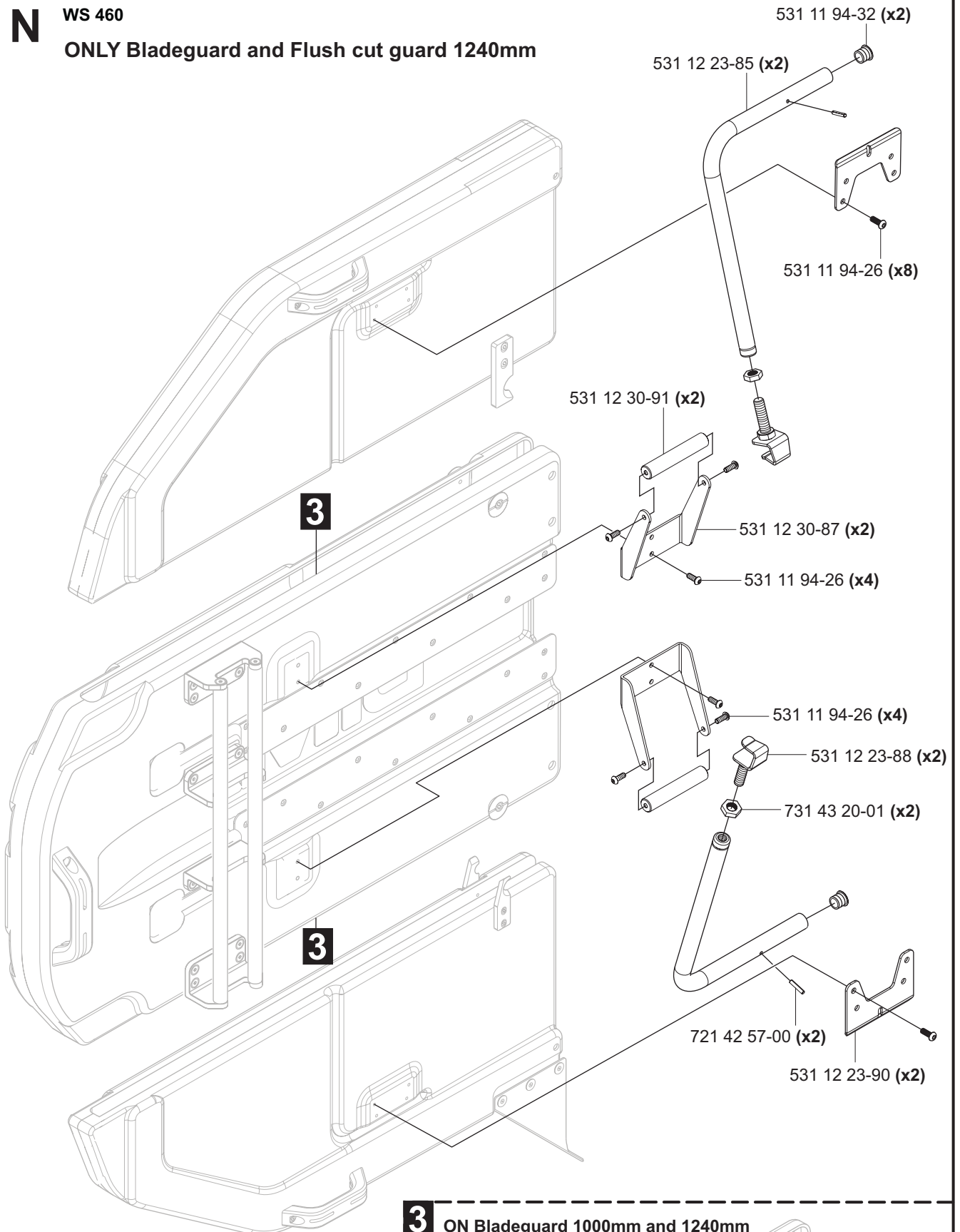
Edge list 3,3 Meter

531 11 95-26



N

WS 460

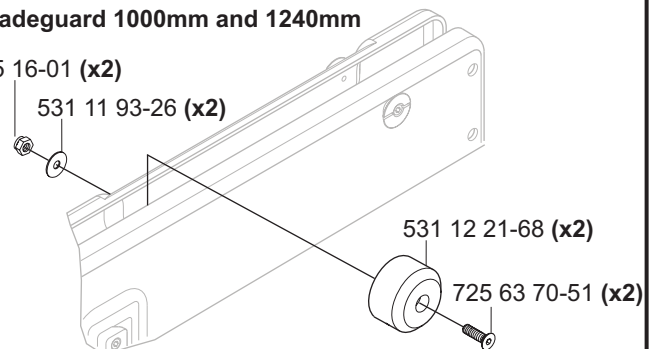
ONLY Bladeguard and Flush cut guard 1240mm**3****ON Bladeguard 1000mm and 1240mm**

732 25 16-01 (x2)

531 11 93-26 (x2)

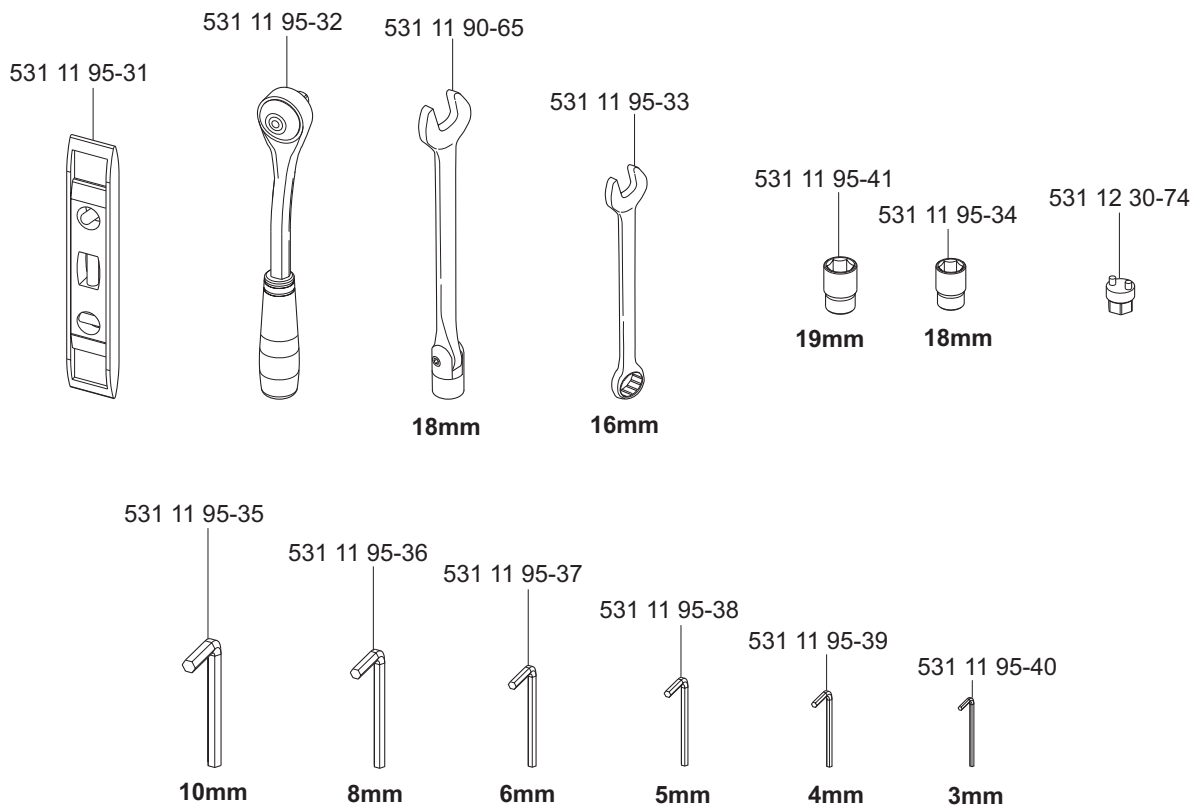
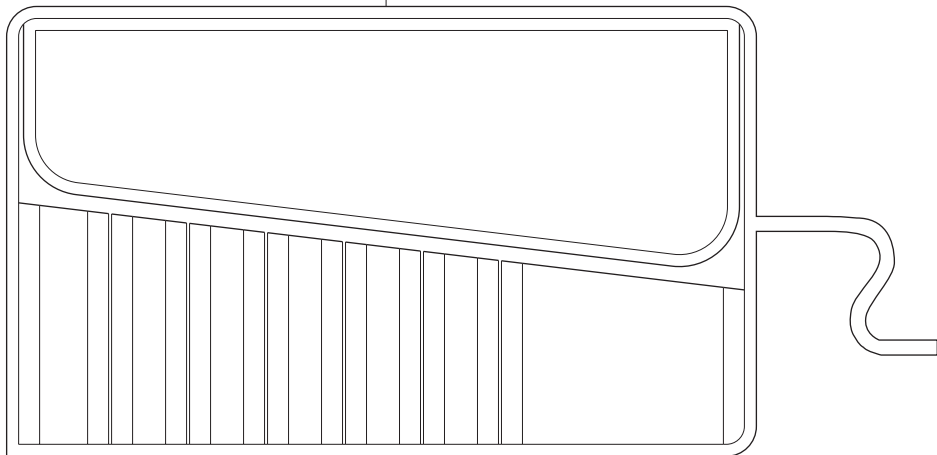
531 12 21-68 (x2)

725 63 70-51 (x2)



P**WS 460****Toolkit compl 501 37 52-01**

504 10 29-01



510 19 65-01



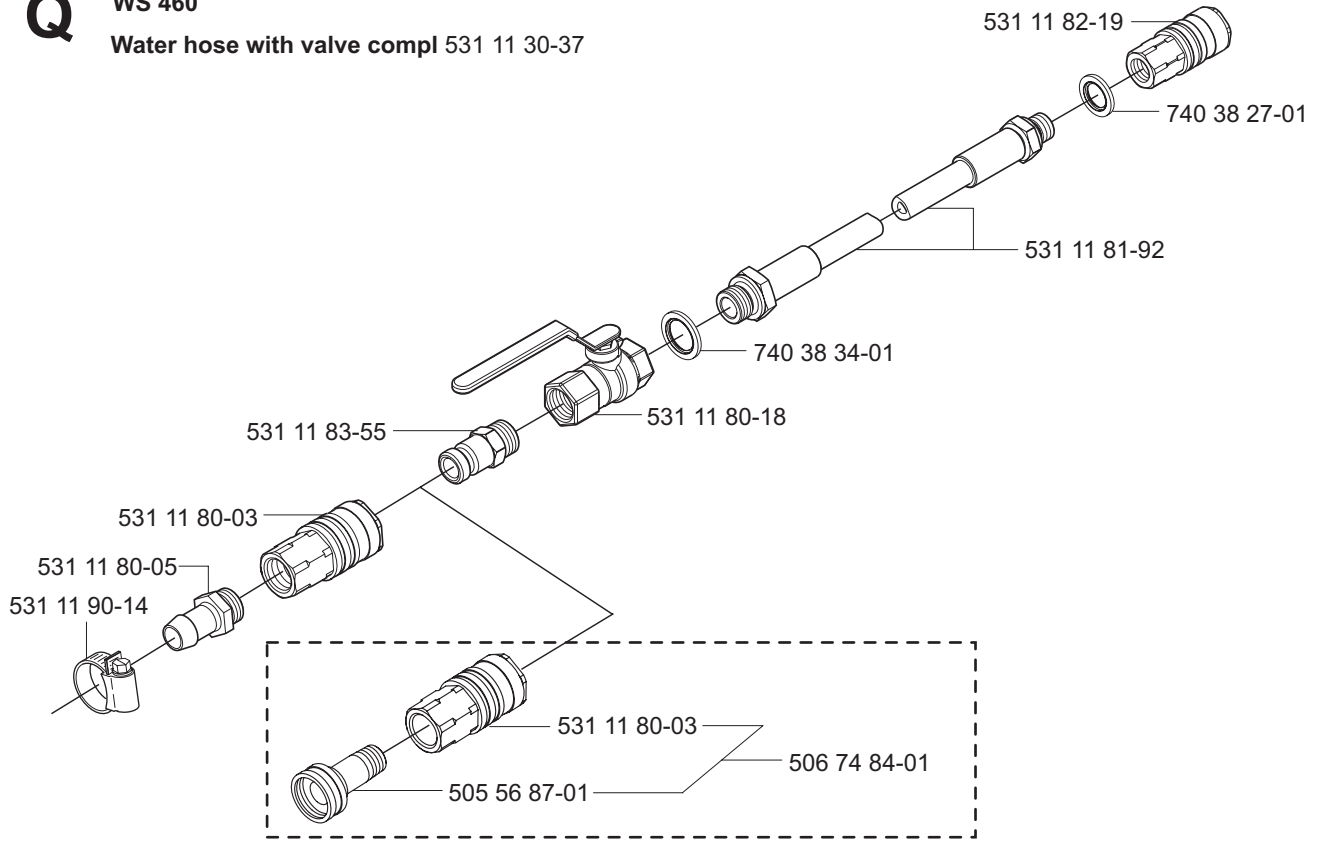
531 11 91-08



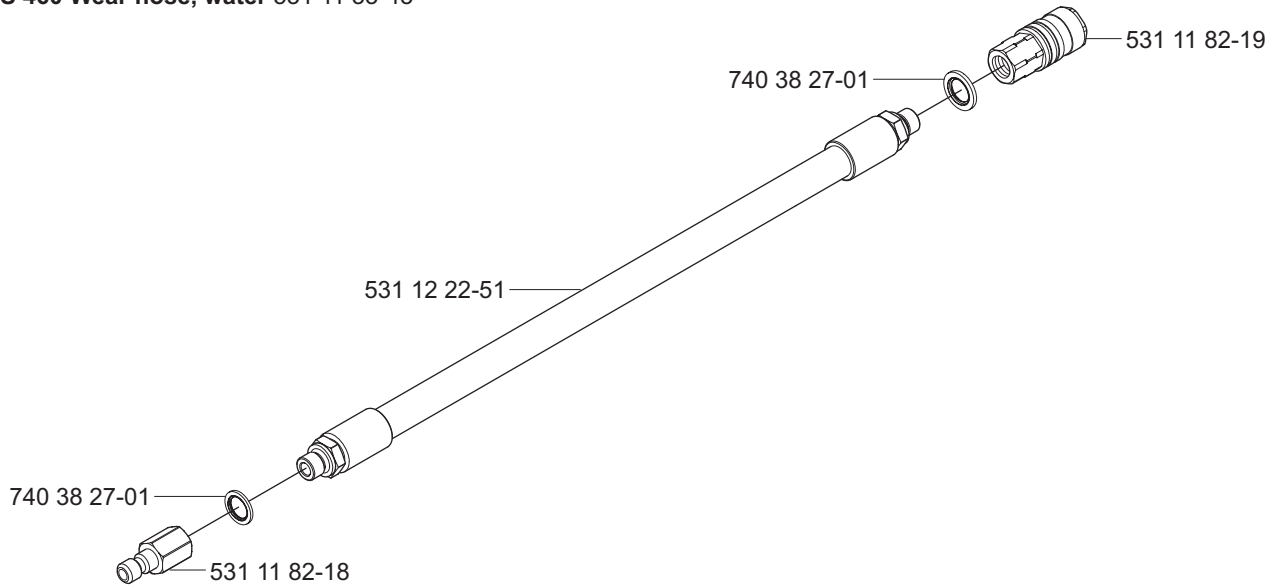
Q

WS 460

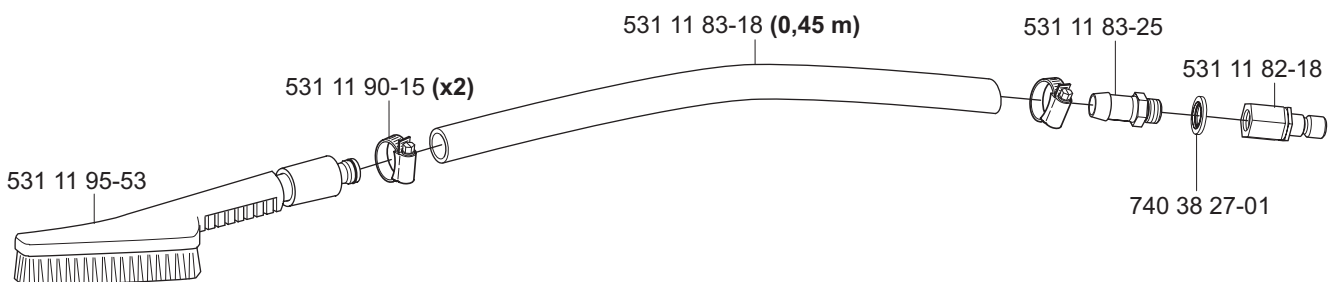
Water hose with valve compl 531 11 30-37

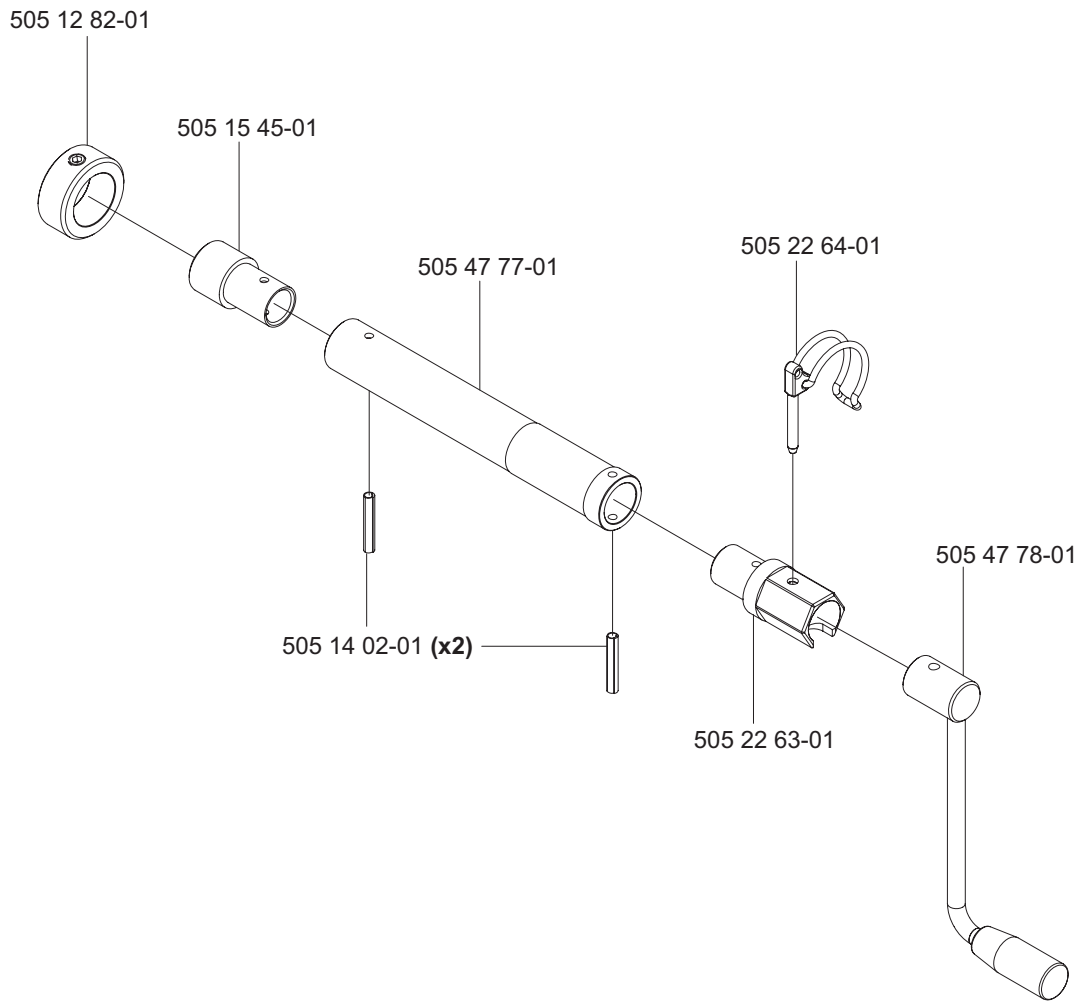
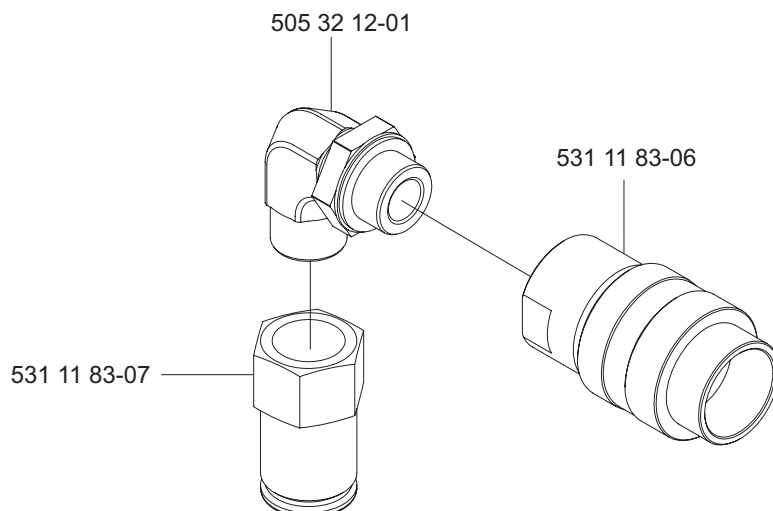


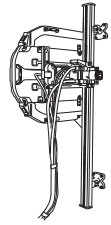
WS 460 Wear hose, water 531 11 33-43



Cleanig brush compl 531 11 32-68



R**WS 460****Crank complete 506 49 35-01****WS 460****Tillbehör
Accessories
Zubehöre
Accessoires
Accesorios****Angle adapter complete 505 32 13-01**



360 Carriage

Reservdelar

Spare parts

Ersatzteile

Pieces de rechange

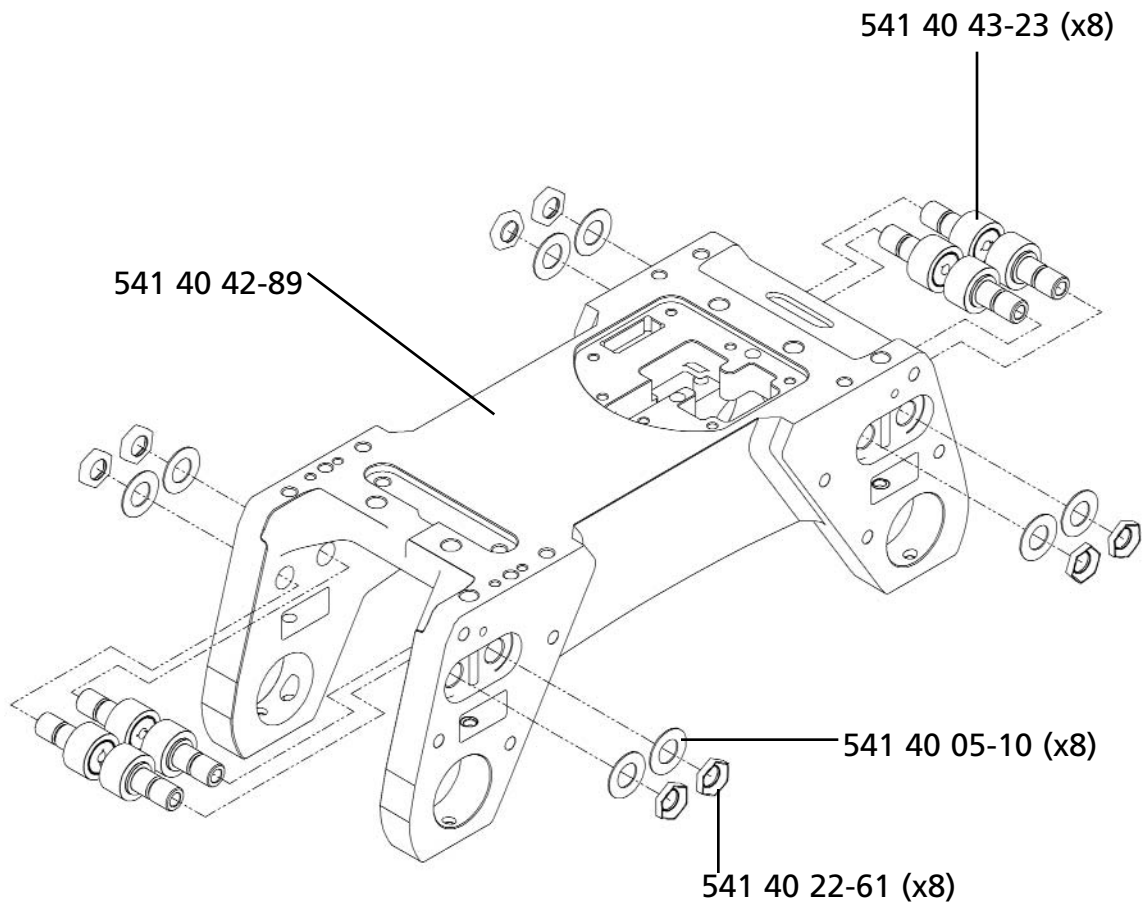
Piezas de repuesto

Ricambi

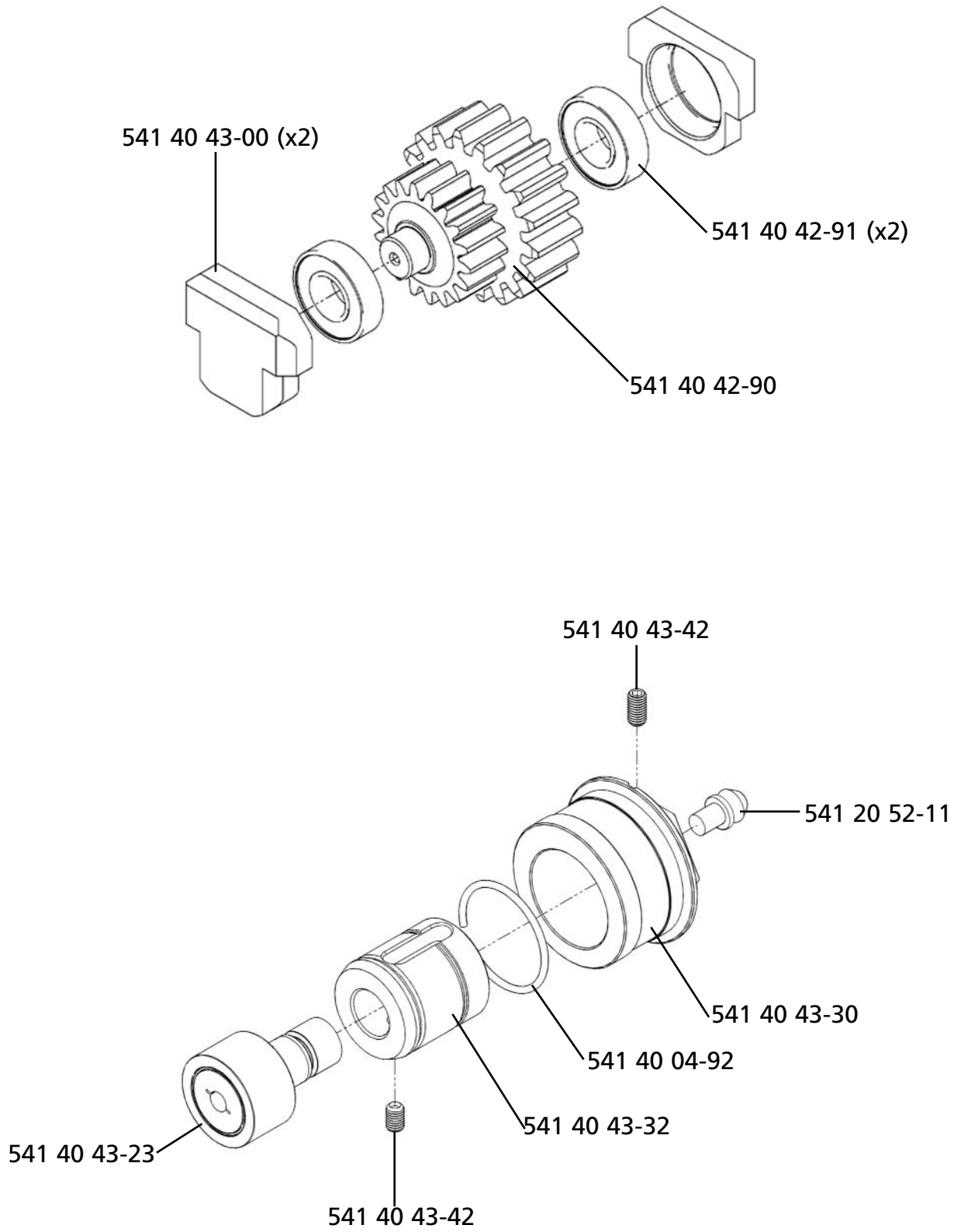
Peças sobresselente

No.	Pos.	Description	No.	Pos.	Description
541 20 52-11	B	Grease Fitting	541 40 43-09		Setscrew - M5 x 6MM
541 20 52-50	I	Soc Hd Capscrew 3/8-16 x 2-1/2	541 40 43-10	D	Setscrew - M6 x 6MM
541 40 04-92	B	Detent Spring	541 40 43-11	FG	Dowel Pin - 4MM x 10MM
541 40 05-10	A	Roller Washer	541 40 43-12	D	Setscrew - M8 x 8MM
541 40 09-95	I	T-Washer	541 40 43-13	EG	Setscrew - M6 x 8MM
541 40 22-61	A	Roller Nut	541 40 43-14	E	Setscrew - M4 x 8MM
541 40 27-83	G	Grease Fitting - Flush Face	541 40 43-15	E	Capscrew - M4 x 10MM
541 40 28-34		Decal - Prop 65	541 40 43-16	F	Button Head - M5 x 20MM
541 40 37-80	I	Setscrew - 1/2-14 x 1-1/4	541 40 43-17	E	FLTHD Capscrew - M4 x 10MM
541 40 40-49	I	Spirit Level - Circular	541 40 43-18		Decal - Do Not Operate w/o Guards
541 40 42-73	C	Feeding Gear Top Plate	541 40 43-19		Decal - Grease Saw Daily
541 40 42-77	C	Feeding Shaft	541 40 43-20		Decal - Caution Hot Surfaces
541 40 42-78	F	Spirit Level	541 40 43-21	F	Wear Strip - Socket
541 40 42-79	F	Mounting Socket - Fixed	541 40 43-22	H	Decal - DIMAS WS 460
541 40 42-80	H	Cover Plate - Front Right	541 40 43-23	AB	Roller with Flush Grease Fitting
541 40 42-81	H	Cover Plate - Rear Left	541 40 43-24	F	Handle - Catch
541 40 42-82	H	Cover Plate - Front Left	541 40 43-25		Low Hd Capscrew - M6 x 8MM
541 40 42-83	H	Cover Plate - Rear Right	541 40 43-26	GH	Low Hd Capscrew - M6 x 12MM
541 40 42-84	D	Roller - Side	541 40 43-27	DF	FLTHD Capscrew - M6 x 10MM
541 40 42-85	D	Roller - Side, Shaft Straight	541 40 43-28	GH	Low Hd Socket Hd - M8 x 16MM
541 40 42-86	D	Roller - Eccentric Shaft	541 40 43-29	F	Dowel Pin - 6MM x 10MM
541 40 42-87	D	Roller - Side, Eccentric Shaft	541 40 43-30	B	Low Roller Bushing
541 40 42-88	C	Gear - Feeding, Transfer - Upper	541 40 43-31	F	Dowel Pin - 5MM x 10MM
541 40 42-89	A	Carriage - 460 NX	541 40 43-32	B	Sliding Sleeve
541 40 42-90	B	Cluster Gear Rack - Transfer	541 40 43-34	C	Decal - Friction Adjustment
541 40 42-91	B	Bearing - Feeding Shaft	541 40 43-39	I	Track Bracket
541 40 42-92	C	Bearing - Feeding Shaft	541 40 43-42	B	Setscrew - M4 x 6MM
541 40 42-94	C	Retaining Ring - Internal	541 40 43-44	F	Button Hd Capscrew - M6 x 20MM
541 40 42-95	F	Locking Handle - Eccentric Shaft	541 40 43-45		Setscrew - M5 x 4MM
541 40 42-96	F	Handle Lock - Inner Plate	541 40 43-46	C	Setscrew - M5 x 3MM
541 40 42-98	F	Handle - Side Plate			
541 40 42-99	F	Handle			
541 40 43-00	B	Feeding Shaft - Bearing Mount			
541 40 43-01	G	Bushing Mount - Right			
541 40 43-02	G	Bushing Mount - Left			
541 40 43-03	G	Handle - Eccentric Bushing			
541 40 43-04	E	Carriage - Gear Guard			
541 40 43-05	D	Friction Stop			
541 40 43-06	F	Spring - Compression			
541 40 43-07	D	Wear Strip - Carriage			

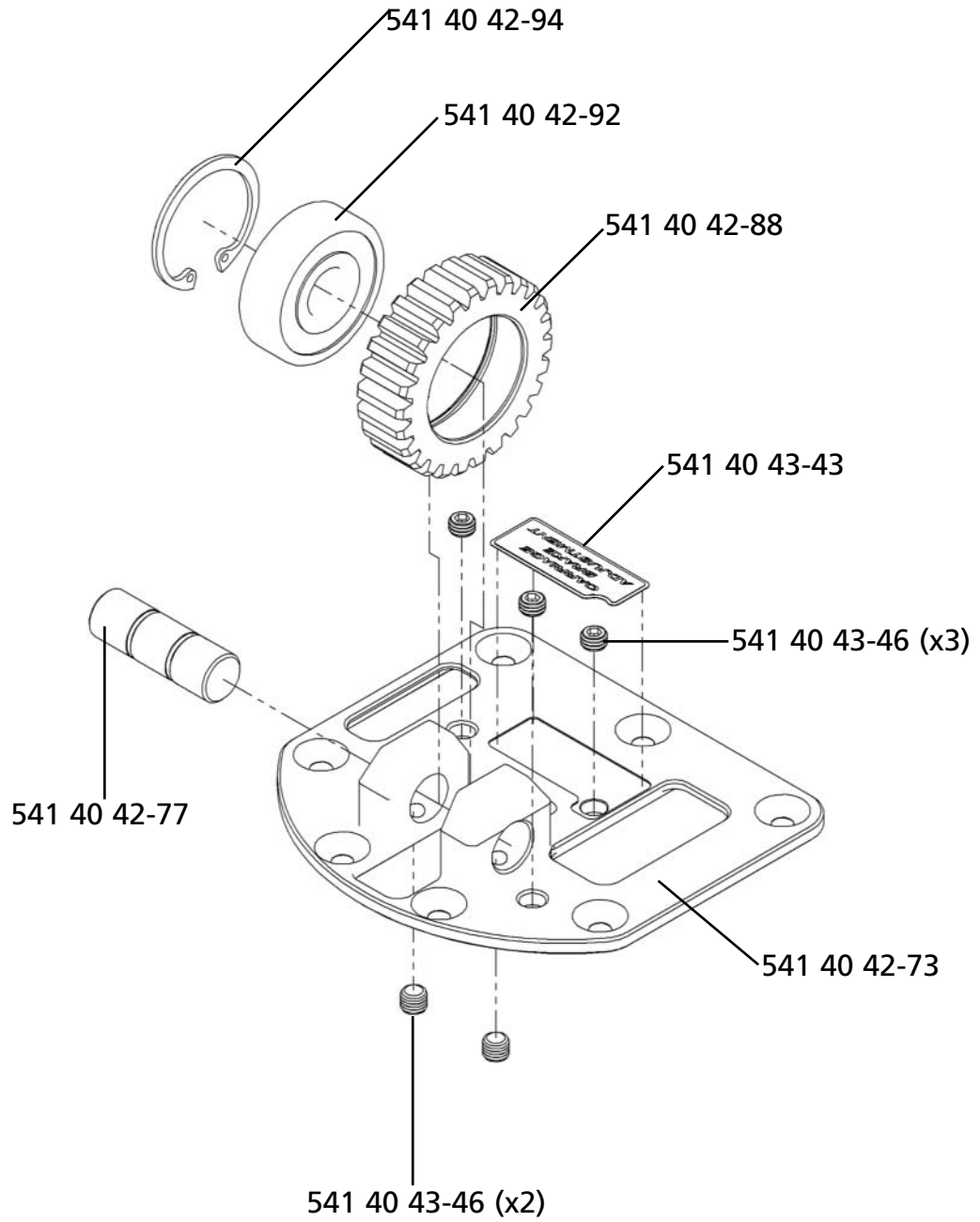
A DIMAS DWS-460NX Carriage



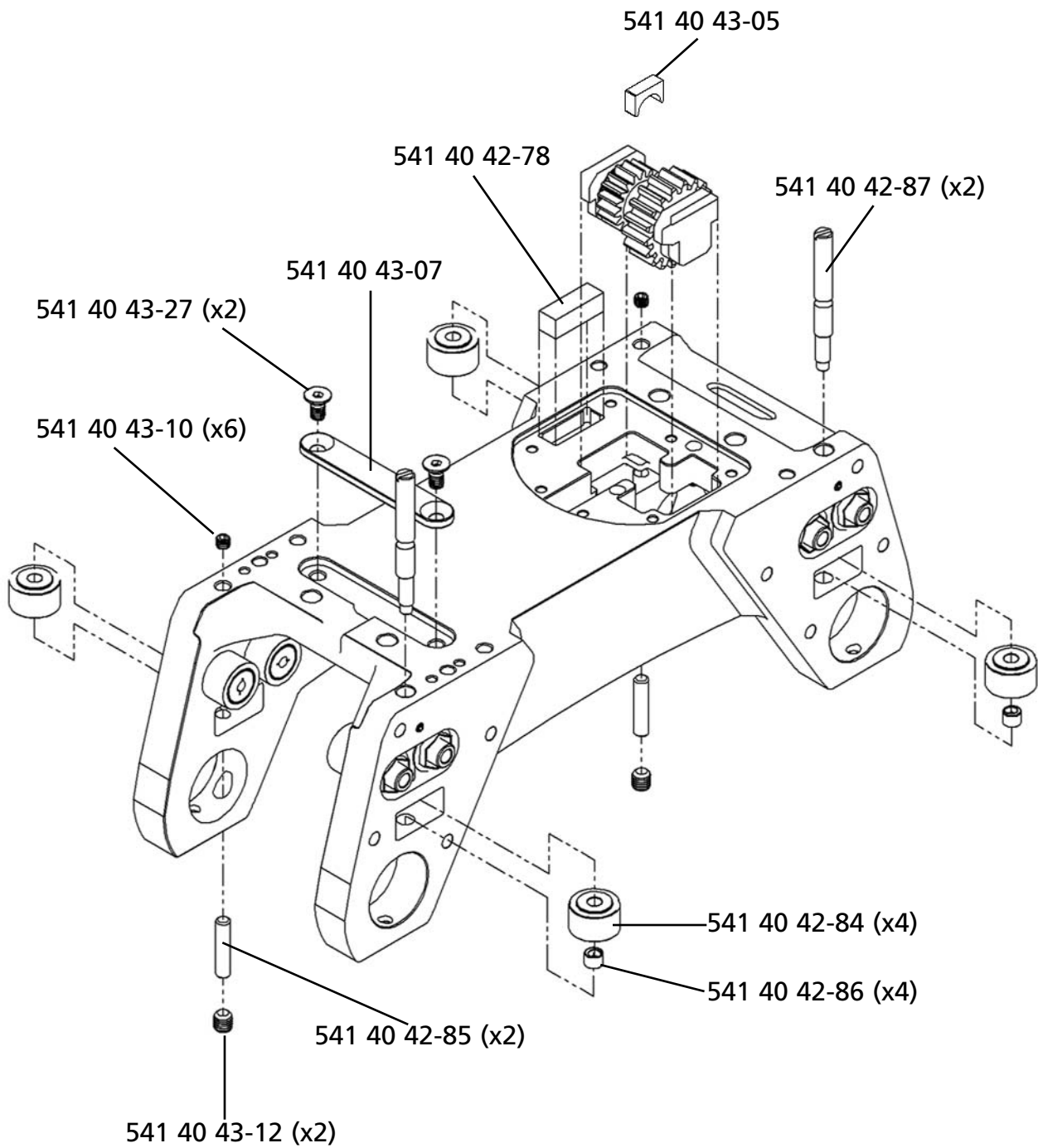
B DIMAS DWS-460NX Carriage



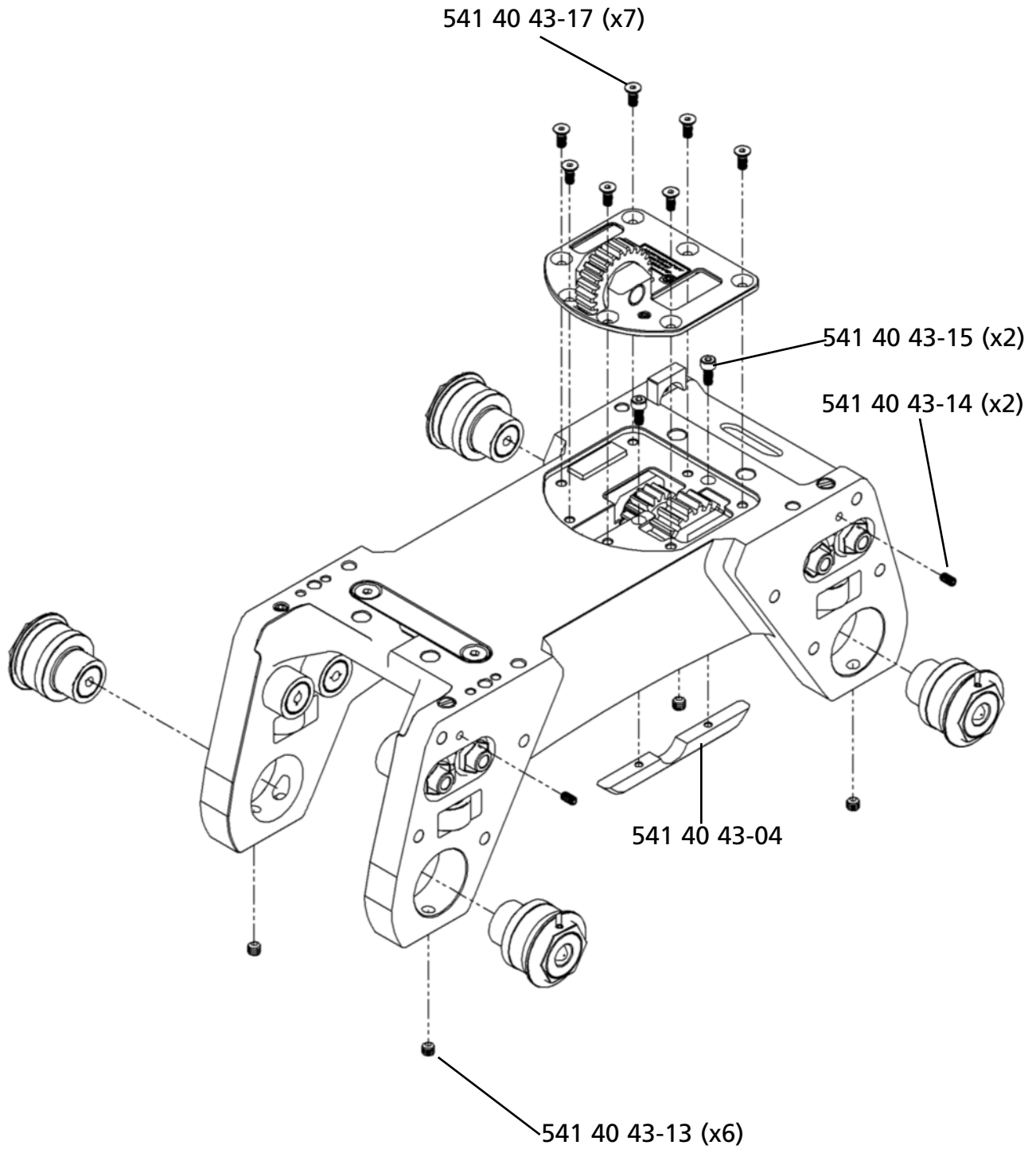
C DIMAS DWS-460NX Carriage



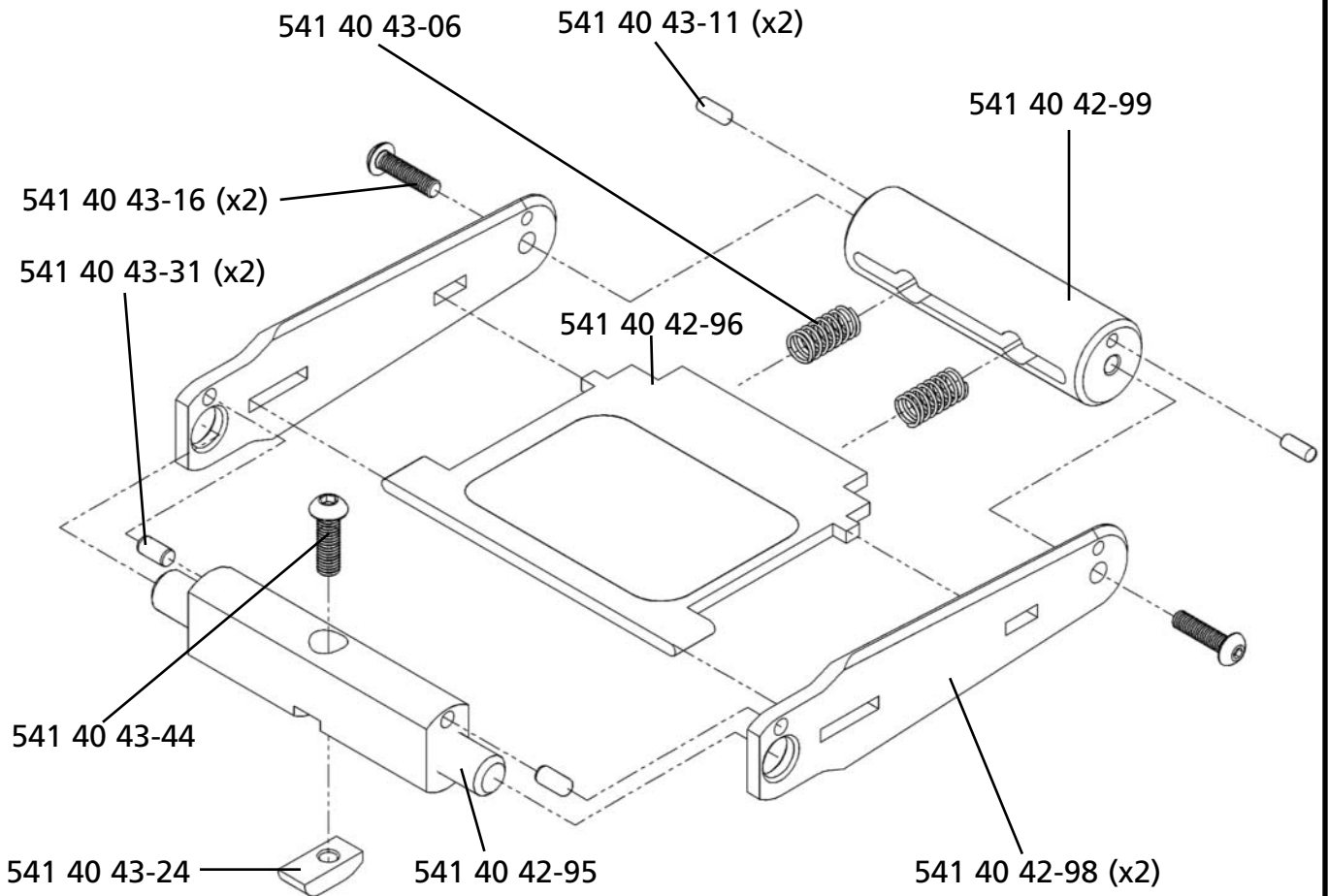
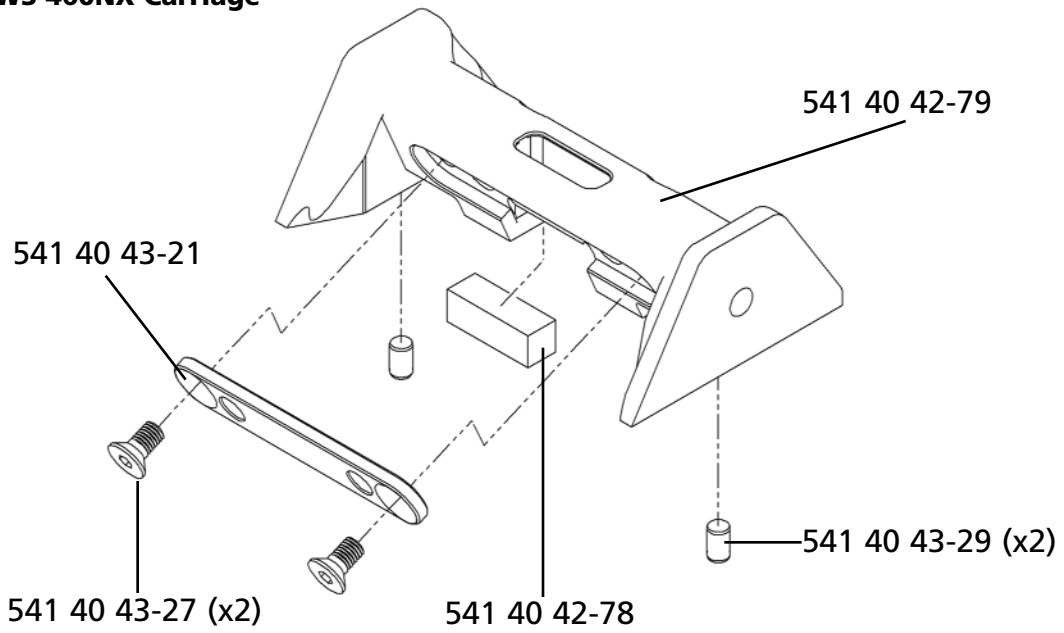
D DIMAS DWS-460NX Carriage



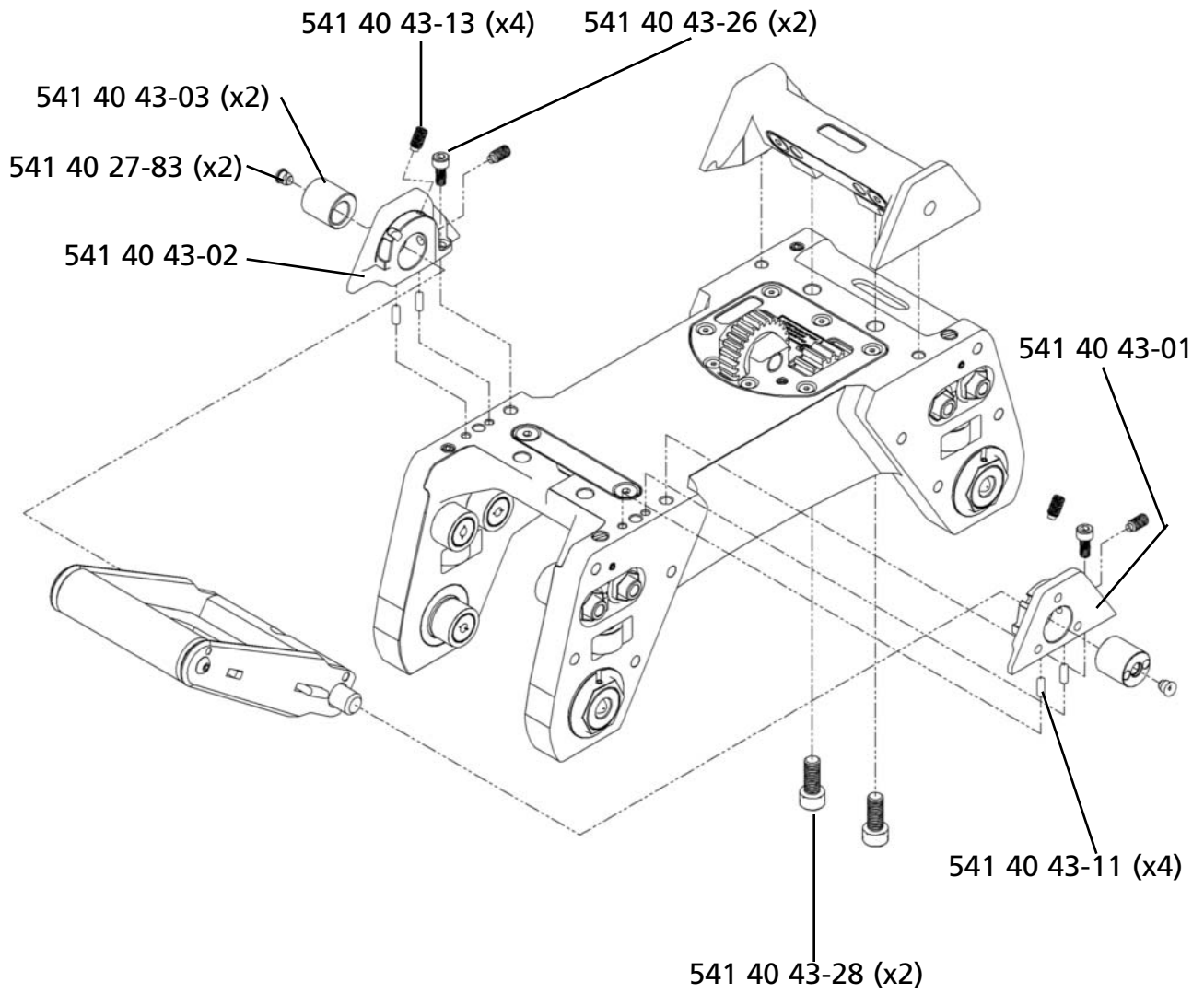
E DIMAS DWS-460NX Carriage



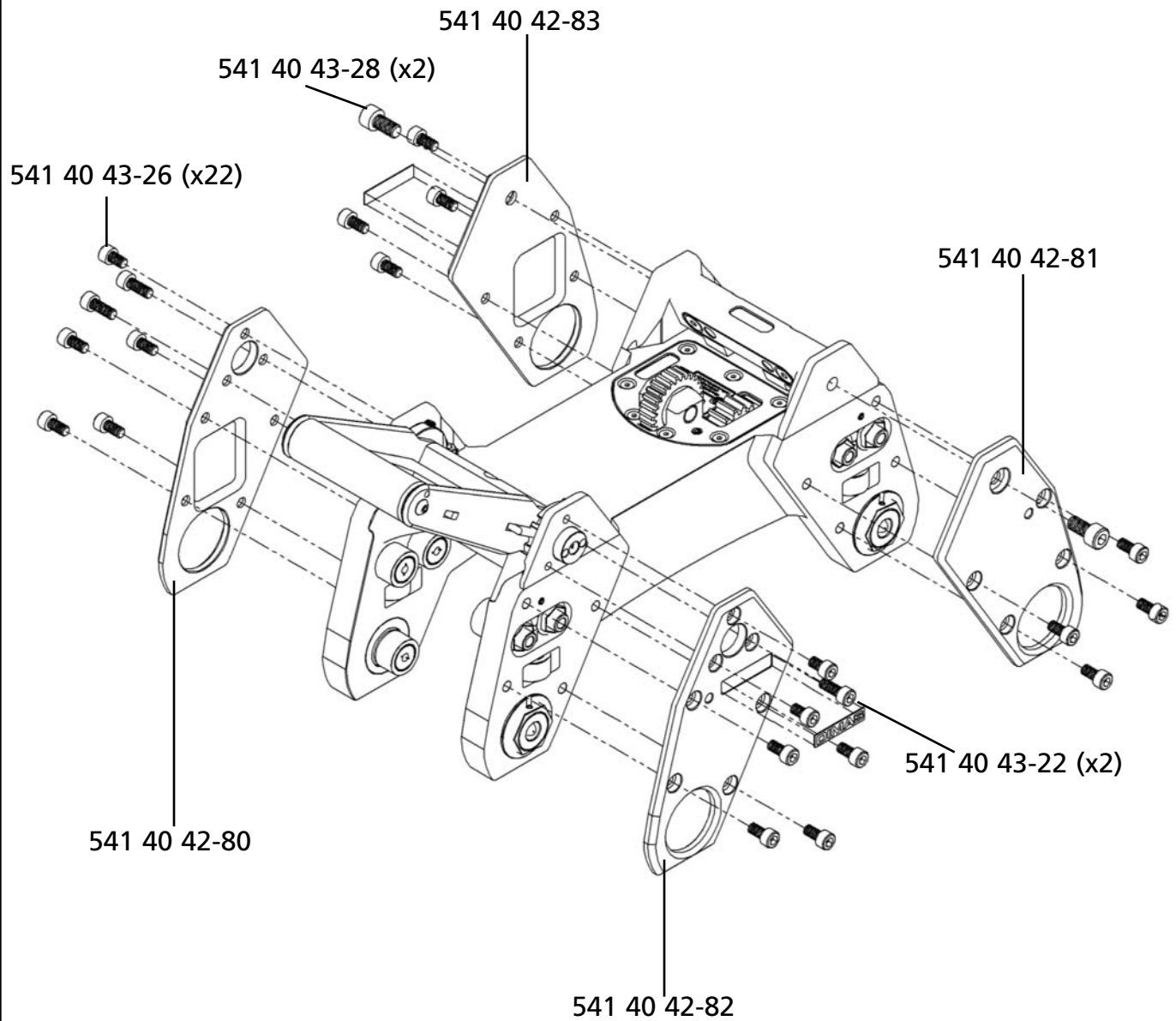
F DIMAS DWS-460NX Carriage



G DIMAS DWS-460NX Carriage



H DIMAS DWS-460NX Carriage



DIMAS Track Brackets

