

RC 455

Reservdelar

Spare parts

Ersatzteile

Pieces de rechange

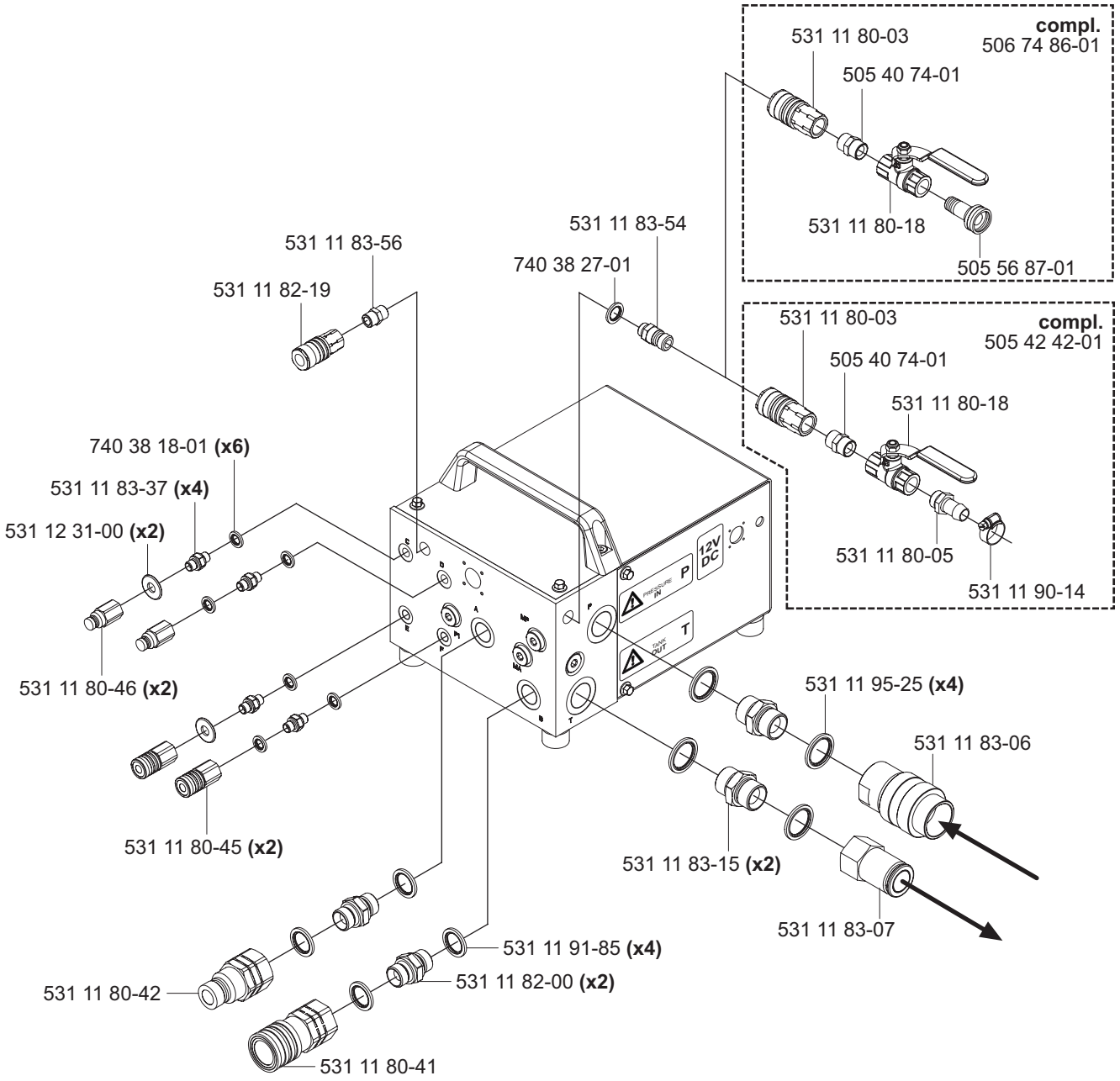
Piezas de repuesto

Ricambi

Peças sobresselente

No.	Pos.	Description	No.	Pos.	Description
504 00 35-01	C	Machine plate	531 14 21-31	C	Connection 3-pin with cable
504 00 40-01	E	Machine plate	531 14 21-35	A	Decal "PRESSURE IN"
504 53 76-01	C	Cover	531 14 21-36	A	Decal "TANK OUT"
504 53 77-02	B	Valve block	531 14 21-38	B	Main board RC 455
504 53 79-01	C	Handle	541 20 18-91	D	Contact 12V male
505 40 74-01	A	Nipple 3/8"	541 20 18-92	D	Contact 12V female
505 42 42-01	A	Valve assembled	722 78 25-03	C	Rivet
505 56 80-01	B	Valve RPEC-LAN	723 12 24-01	CE	Screw MCS 3x10
505 56 81-01	B	Valve RSFC-LAN	723 52 22-01	E	Screw MFS 3x8
505 56 82-01	B	Valve FPCC-MBN	723 52 89-01	B	Screw MFS 4x10
505 56 83-01	B	Valve EPV 16 A	725 52 20-01	B	Screw MC6S 3x6
505 56 84-01	B	Valve SV9-8N-E	725 54 51-01	C	Screw MC6S 8x20
505 56 85-01	B	Valve PCS3-10	731 23 10-01	E	Nut M3
505 56 86-01	B	Lid	731 23 18-01	C	Nut M8
505 56 87-01	A	Water connection	734 11 63-01	C	Washer 8,4x16x1,6
505 57 01-01	D	Contact 3-pin with cable	740 38 18-01	AF	Sealing ring 1/8"
505 57 59-01	C	Flat cable	740 38 27-01	AF	Sealing ring 1/4"
506 74 83-01	A	Valve assembled	740 42 17-00	E	O-ring 19,1x1,6
531 11 50-12	E	Can bus cabel 6m			
531 11 51-83	E	Potentiometer knob compl.			
531 11 51-90	F	Hose set complete			
531 11 52-24	E	Remote control complete			
531 11 52-34	B	Pressure transducer			
531 11 70-34	E	Cannon connection			
531 11 70-67	E	Connection block			
531 11 70-96	E	Potentiometer			
531 11 71-43	E	Button			
531 11 71-59	E	Gasket			
531 11 72-31	E	Control Board			
531 11 72-40	E	Gasket			
531 11 72-68	C	Connection 6-pin with cable			
531 11 73-77	C	Fuse 5A			
531 11 73-78	C	Cover for fuse			
531 11 80-03	A	Quick coupling 1800 UV			
531 11 80-05	A	Nipple TEMA 1812			
531 11 80-06	D	Nipple TEMA 18210			
531 11 80-18	A	Ball valve 1/8"			
531 11 80-41	AF	Quick coupling female 1/2"			
531 11 80-42	AF	Quick coupling male 1/2"			
531 11 80-45	AF	Quick coupling female 1/8"			
531 11 80-46	AF	Quick coupling male 1/8"			
531 11 81-65	F	Hose			
531 11 82-00	A	Adapter			
531 11 82-18	F	Quick coupling			
531 11 82-19	AF	Quick coupling TEMA 1300 UV			
531 11 82-47	F	Rubber band			
531 11 83-06	A	Quick coupling female 3/4"			
531 11 83-07	A	Quick coupling male 3/4"			
531 11 83-15	A	Adapter 3/4"			
531 11 83-23	F	Hose set without couplings			
531 11 83-36	F	Hose			
531 11 83-37	A	Adapter 1/8"			
531 11 83-54	A	Nipple			
531 11 83-56	A	Adaptor 1/4"			
531 11 90-14	A	Hose clamp			
531 11 91-26	E	Strap			
531 11 91-85	AF	Sealing ring 1/2"			
531 11 93-85	B	Distance			
531 11 95-25	A	Sealing ring 3/4"			
531 11 95-67	C	Damper			
531 11 95-79	C	Screw M6SF 6x10			
531 12 22-52	F	Hose			
531 12 31-00	AF	Marking washer red			
531 14 12-34	E	Label			
531 14 20-11	E	Control panel			
531 14 20-13	E	Potentiometer nut			
531 14 20-51	E	Display decal			
531 14 20-62	E	Remote control			
531 14 20-65	B	Flat cable K3			
531 14 21-29	A	Decal 12V DC			

A RC 455



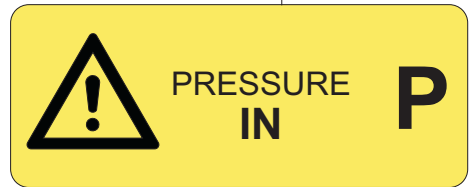
531 14 21-29



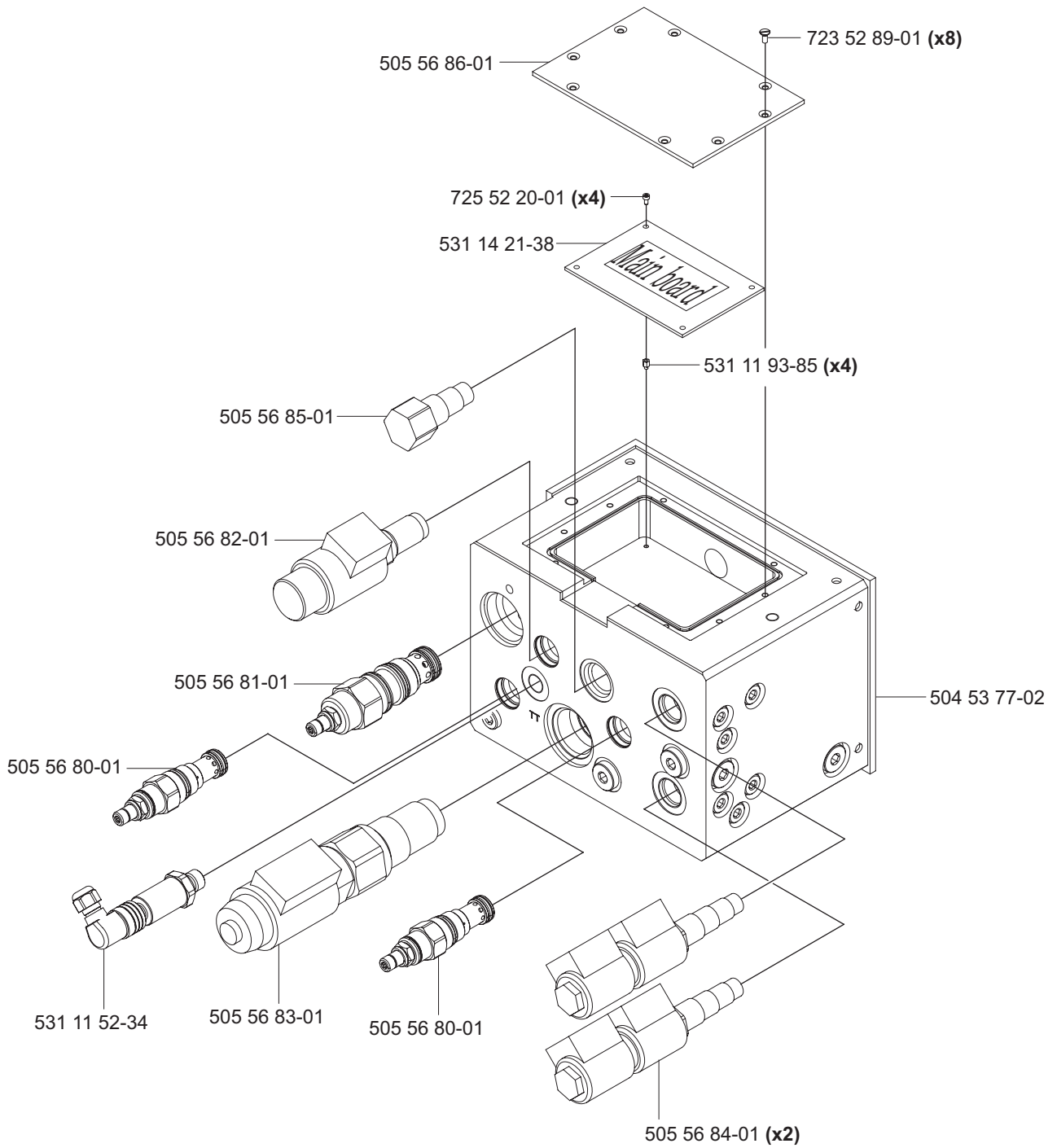
531 14 21-36



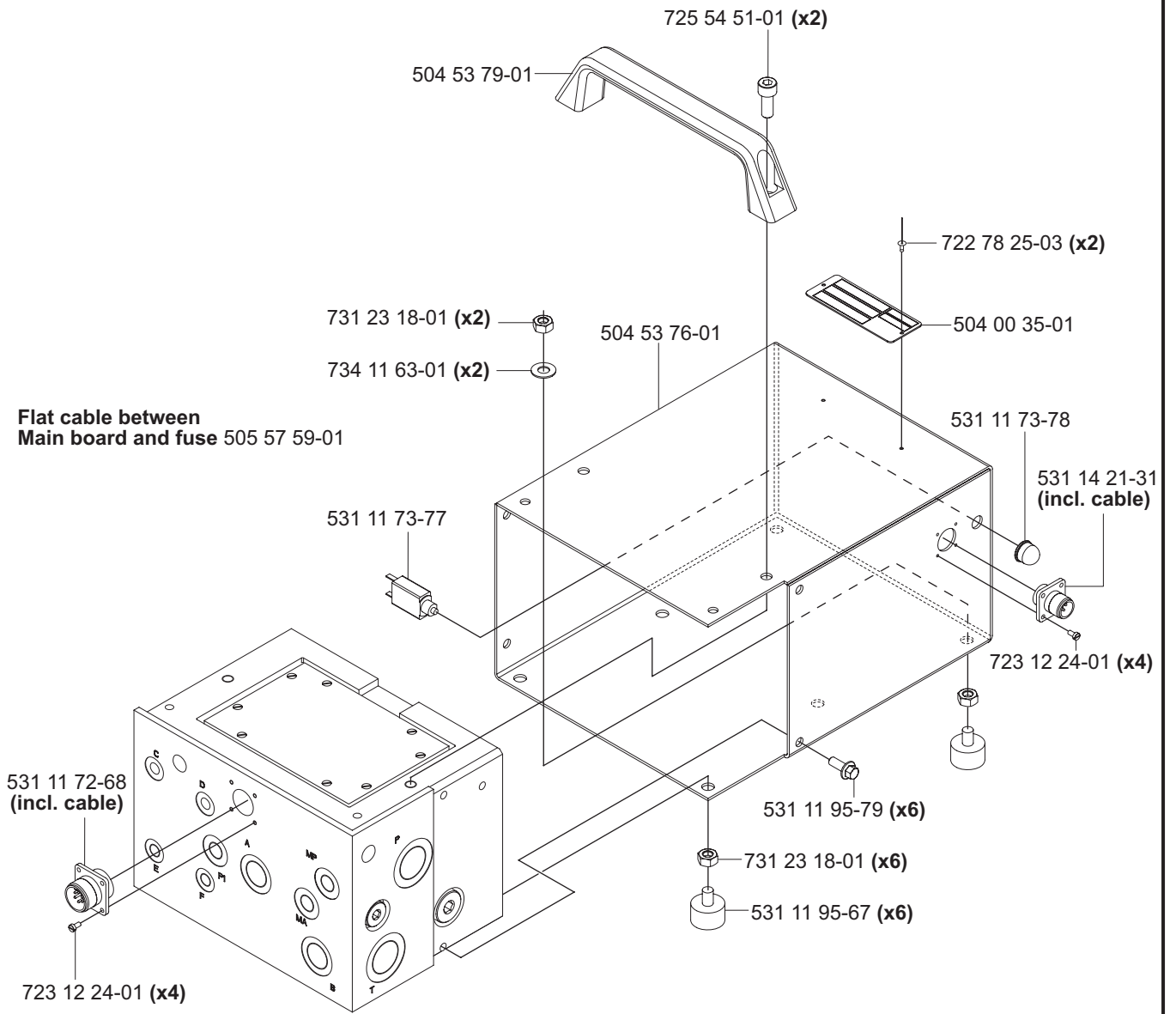
531 14 21-35



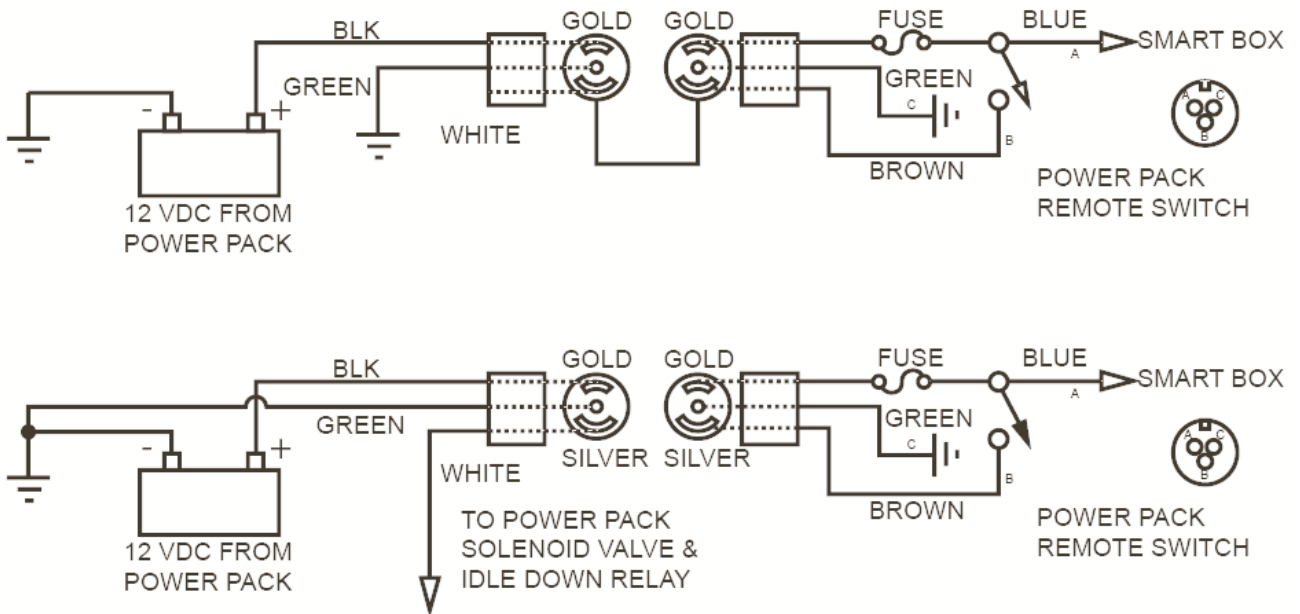
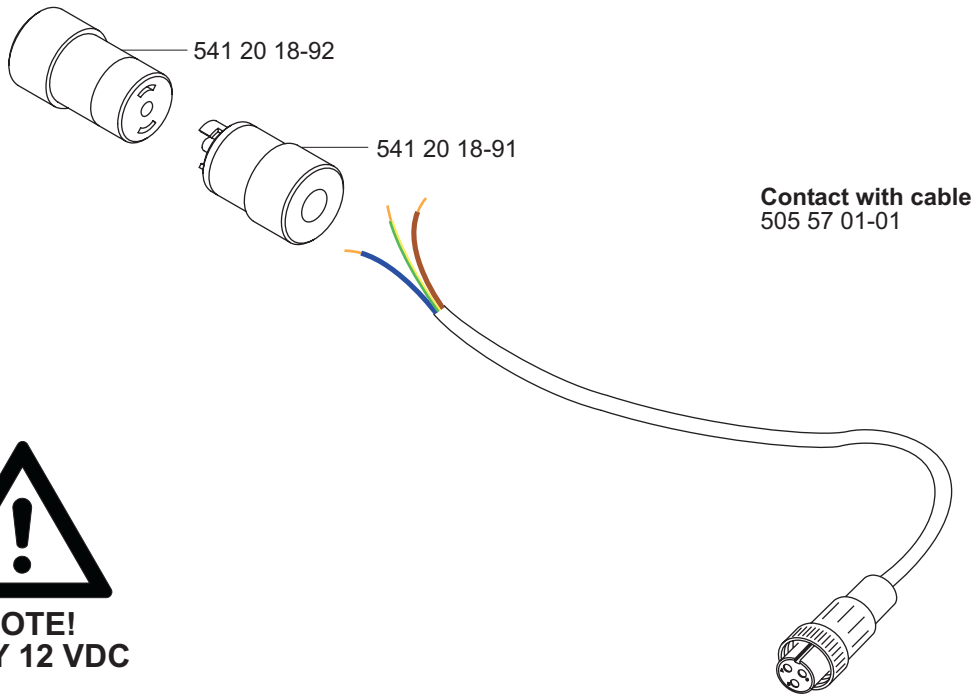
B RC 455



Flat cable between Main board and valves 531 14 20-65



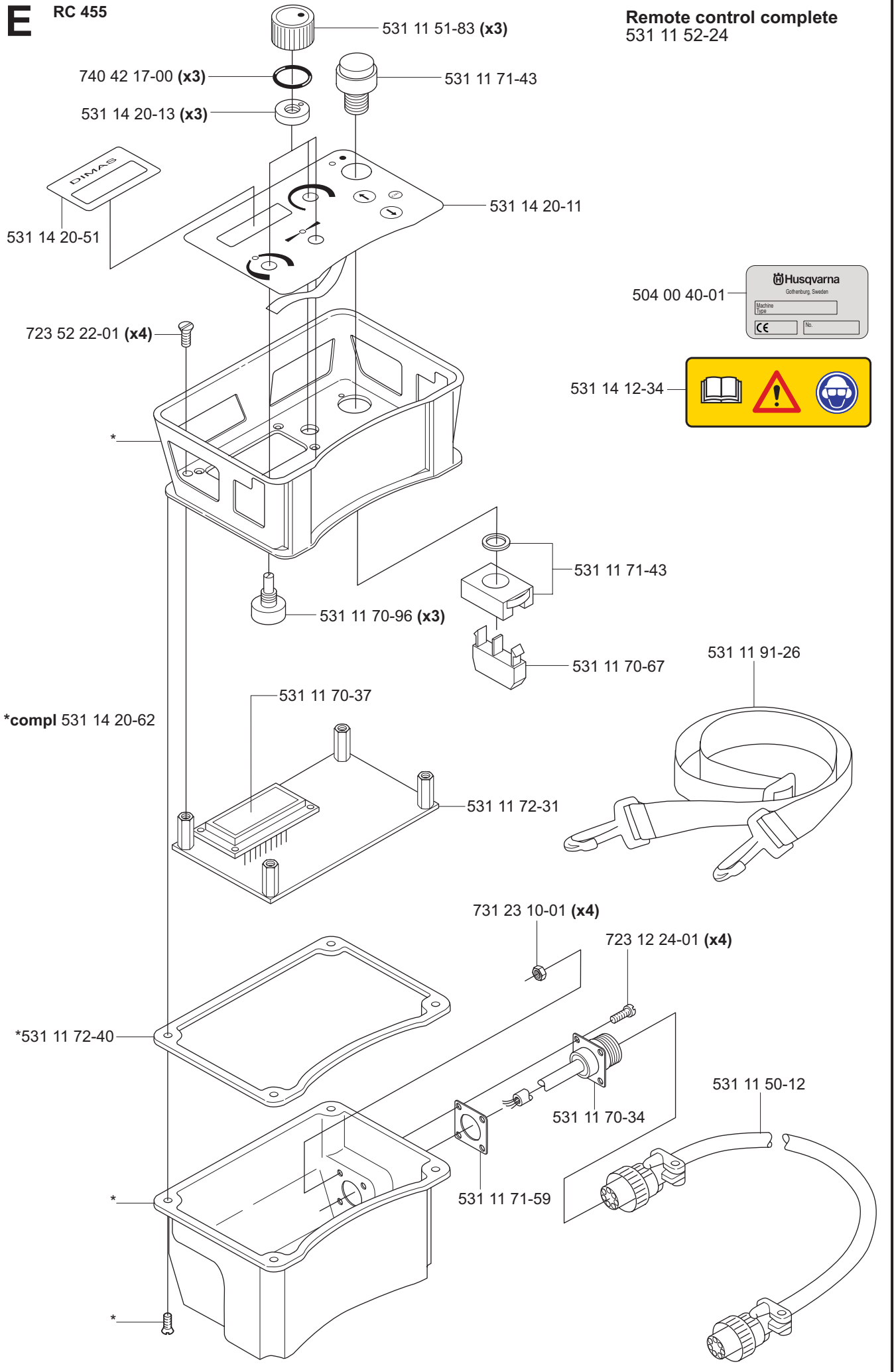
D RC 455



E

RC 455

Remote control complete
531 11 52-24



F RC 455

Hose set complete 531 11 51-90

Hose set without couplings 531 11 83-23

