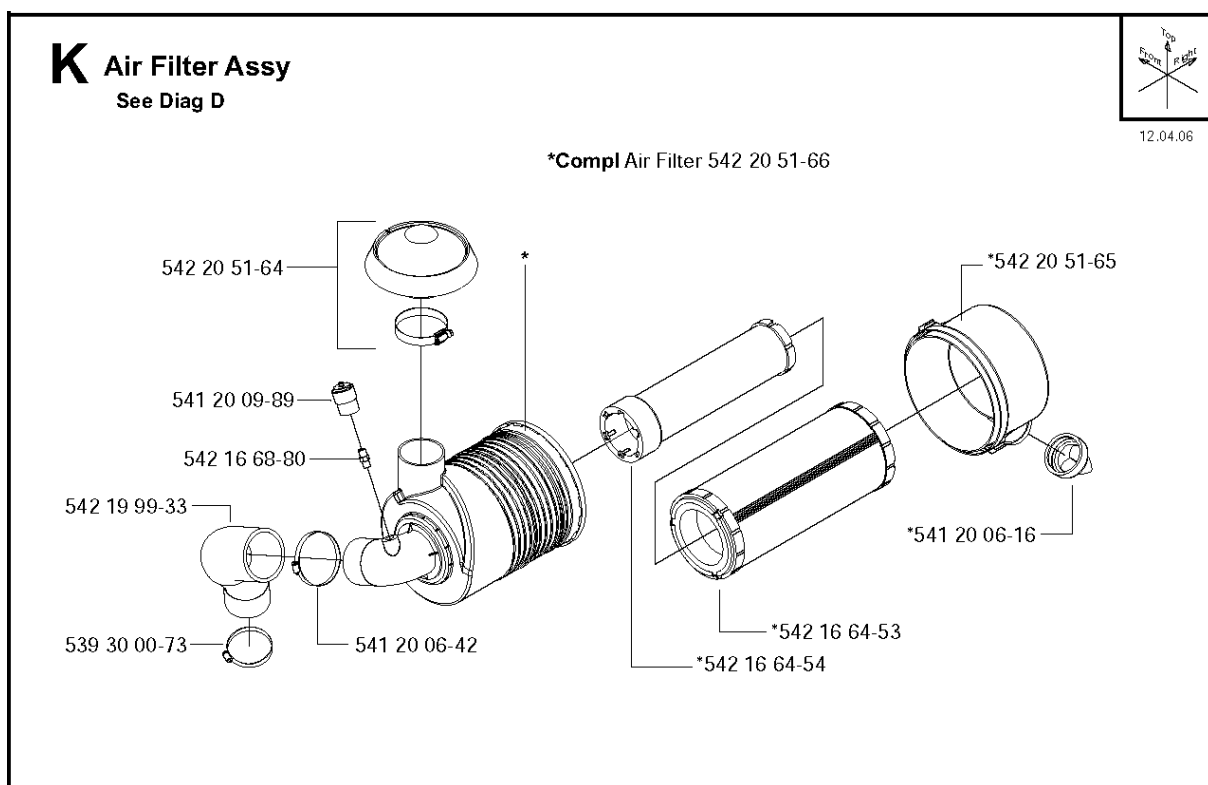




# SPARE PARTS LIST

FLOOR SAWS

FS4800, 2008-01



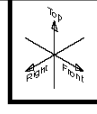
## AIR FILTER

FS4800, 2008-01

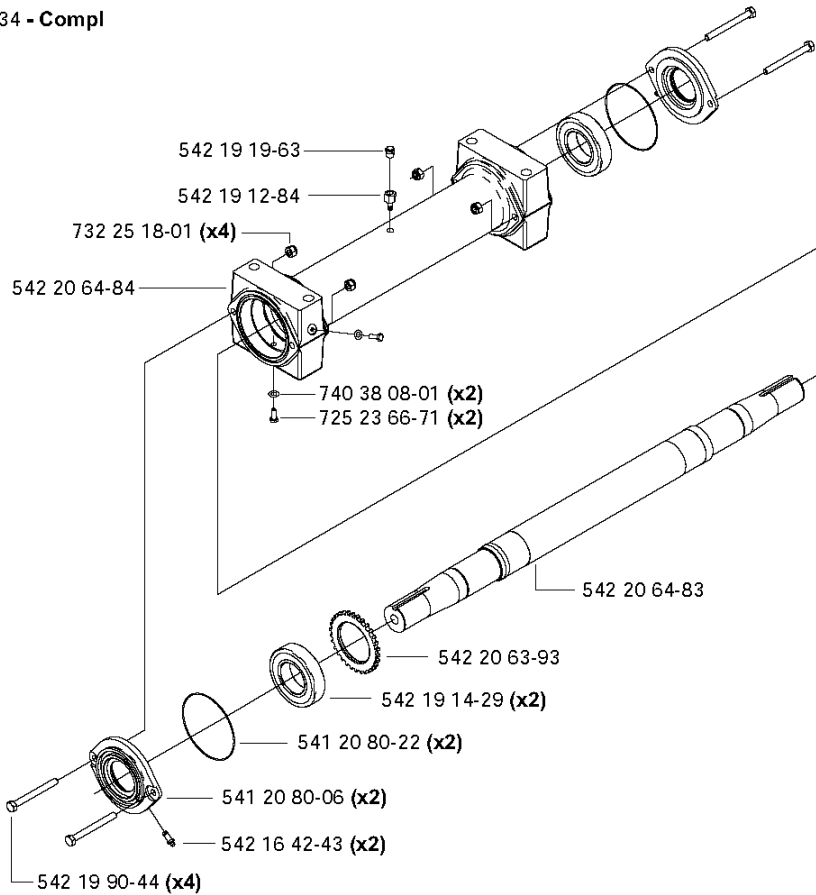
| Part No      | Description                    | Remark | QTY KIT |
|--------------|--------------------------------|--------|---------|
| 539 30 00-73 | CLAMP HOSE #32 1 9/16-2 1/2M32 |        | 1       |
| 541 20 06-16 | HUB CAP                        |        | 1       |
| 541 20 06-42 | CLAMP. HOSE. #44 2 5/16-3 1/4  |        | 1       |
| 541 20 09-89 | GAUGE                          |        | 1       |
| 542 16 64-53 | AIR ELEMENT/                   |        | 1       |
| 542 16 64-54 | AIR ELEMENT/                   |        | 1       |
| 542 16 68-80 | ADAPTOR, RESTRICTION/INDICATOR |        | 1       |
| 542 19 99-33 | HOSE                           |        | 1       |
| 542 20 51-64 | RAIN CAP. 2.5" ID              |        | 1       |
| 542 20 51-65 | AIR CLEANER                    |        | 1       |
| 542 20 51-66 | AIR CLEANER                    |        | 1       |

# T Blade Shaft

542 20 65-34 - Compl



12.05.06



**1-Speed Blade Shaft Assemblies - Complete with:**  
Pulleys, Flanges & Mounting Fasteners

12.05.06

| Complete Assy No | Blade Dia<br>Inch [mm] | Blade Shaft Pulley (x2) | Pulley Dia<br>Inch [mm] | Inner Flange | Outer Flange (w/ Pin) | Flange Dia<br>Inch [mm] |
|------------------|------------------------|-------------------------|-------------------------|--------------|-----------------------|-------------------------|
| 542 20 63-38     | 14" [350]              | 542 19 88-66            | 4.12" [105]             | 542 20 62-02 | 542 16 31-72          | 4.5" [114]              |
| "                | 18" [450]              |                         |                         |              |                       |                         |
| 542 20 63-39     | 26" [650]              | 542 19 88-58            | 4.75" [121]             | 541 20 68-88 | 542 16 63-07          | 5.0" [127]              |
| "                | 30" [750]              |                         |                         |              |                       |                         |
| 542 20 63-40     | 36" [900]              | 542 19 88-65            | 5.60" [142]             | 542 19 88-64 | 542 16 32-72          | 6.0" [152]              |

**3-Speed Blade Shaft Assemblies - Complete with:**  
Pulleys, Flanges, Proximity Switch, 3-Speed Decals & Mounting Fasteners

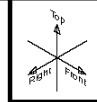
12.05.06

| Complete Assy No | Blade Dia<br>Inch [mm] | Blade Shaft Pulley (x2) | Pulley Dia<br>Inch [mm] | Inner Flange | Outer Flange (w/ Pin) | Flange Dia<br>Inch [mm] |
|------------------|------------------------|-------------------------|-------------------------|--------------|-----------------------|-------------------------|
| 542 20 63-82     | 14" [350]              | 542 19 88-66            | 4.12" [105]             | 542 20 62-02 | 542 16 31-72          | 4.5" [114]              |
| "                | 20" [500]              |                         |                         |              |                       |                         |
| "                | 26" [650]              |                         |                         |              |                       |                         |
| 542 20 63-79     | 18" [450]              | 541 20 71-36            | 4.50" [114]             | 541 20 68-88 | 542 16 63-07          | 5.0" [127]              |
| "                | 26" [650]              |                         |                         |              |                       |                         |
| "                | 30" [750]              |                         |                         |              |                       |                         |
| 542 20 63-80     | 20" [500]              | 541 20 71-34            | 5.20" [132]             | 542 19 88-64 | 542 16 32-72          | 6.0" [152]              |
| "                | 30" [750]              |                         |                         |              |                       |                         |
| "                | 36" [900]              |                         |                         |              |                       |                         |

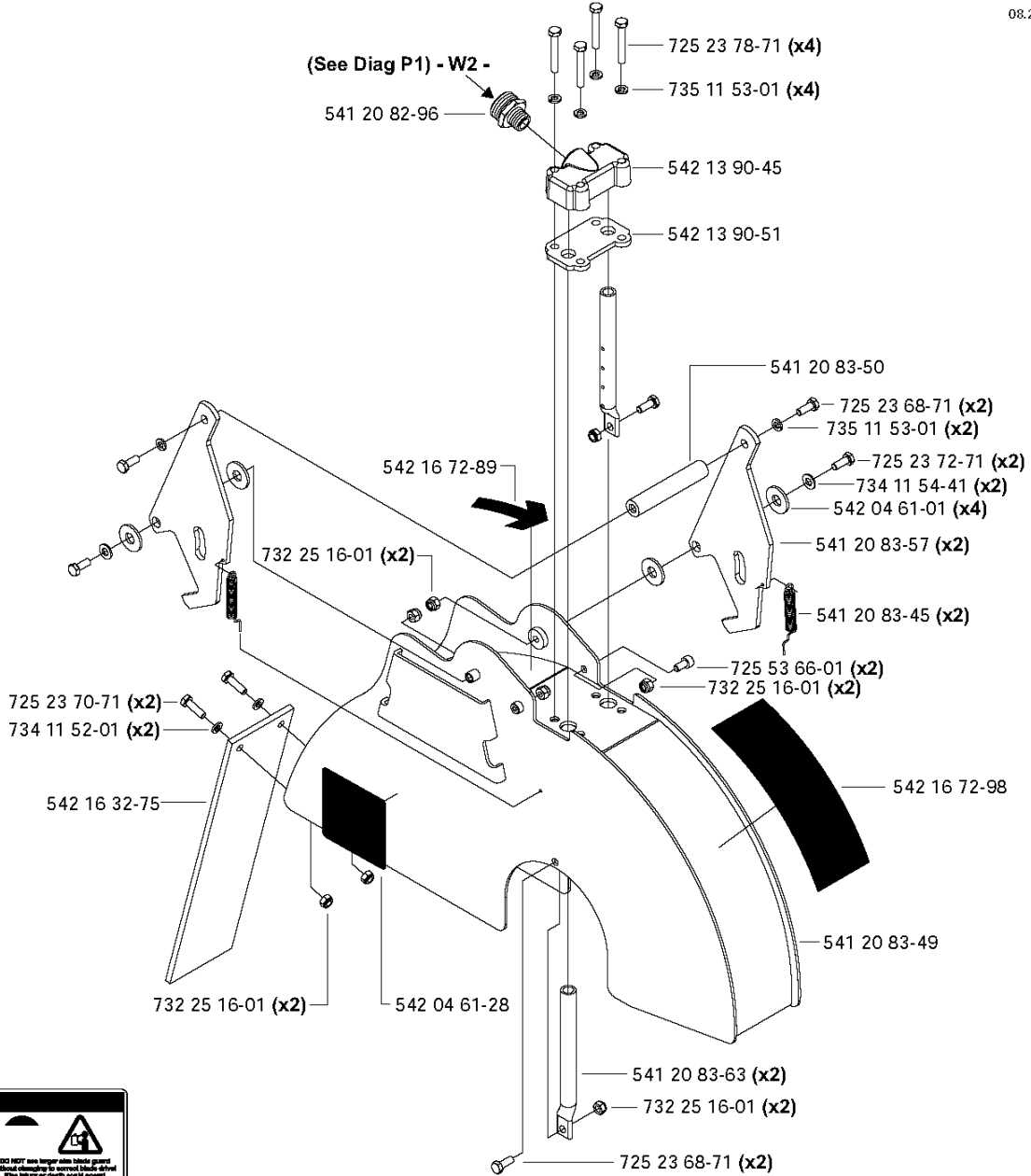
| Part No      | Description                         | Remark | QTY KIT |
|--------------|-------------------------------------|--------|---------|
| 541 20 68-88 | FLANGE                              |        | 1       |
| 541 20 68-88 | FLANGE                              |        | 1       |
| 541 20 71-34 | PULLEY.BLD SHAFT. 5.2" TPR 6GR      |        | 1       |
| 541 20 71-36 | PULLEY.BLD SHAFT. 4.5" TPR 6GR      |        | 1       |
| 541 20 80-06 | LAGERABDIECHTUNG                    |        | 1       |
| 541 20 80-22 | O-RING                              |        | 1       |
| 542 16 31-72 | COLLAR                              |        | 1       |
| 542 16 32-72 | OUTER COLLAR W/DOWEL/PIN 6" Q       |        | 1       |
| 542 16 32-72 | OUTER COLLAR W/DOWEL/PIN 6" Q       |        | 1       |
| 542 16 42-43 | GREASE                              |        | 1       |
| 542 16 63-07 | OUTER FLANGE - MOD 14/26/& 18/      |        | 1       |
| 542 16 63-07 | OUTER FLANGE - MOD 14/26/& 18/      |        | 1       |
| 542 19 12-84 | FITTING                             |        | 1       |
| 542 19 14-29 | BEARING                             |        | 1       |
| 542 19 19-63 | ENTLUEFTERSTUTZEN 1/8 NPT           |        | 1       |
| 542 19 88-58 | PULLEY                              |        | 1       |
| 542 19 88-64 | FLANGE                              |        | 1       |
| 542 19 88-64 | FLANGE                              |        | 1       |
| 542 19 88-65 | PULLEY                              |        | 1       |
| 542 19 88-66 | RIEMENSCHLEIBE 4,12" 18"            |        | 1       |
| 542 19 88-66 | RIEMENSCHLEIBE 4,12" 18"            |        | 1       |
| 542 19 90-44 | BOLT                                |        | 1       |
| 542 20 62-02 | FLANGE INNER 4.5" B/O FS 4800D      |        | 1       |
| 542 20 63-38 | BLADESHAFT ASSY. 1-SPD- COMPL 4.5"  |        | 1       |
| 542 20 63-39 | BLADESHAFT ASSY. 1-SPD - COMPL 5.0" |        | 1       |
| 542 20 63-40 | BLADESHAFT ASSY. 1-SPD - COMPL 6.0" |        | 1       |
| 542 20 63-79 | BLADESHAFT ASSY. 3-SPD - COMPL 5.0" |        | 1       |
| 542 20 63-80 | BLADESHAFT ASSY. 6"FLG.3-SPD        |        | 1       |
| 542 20 63-82 | BLADESHAFT ASSY. 3-SPD - COMPL 4.5" |        | 1       |
| 542 20 63-93 | SPROCKET 30 TOOTH. BLADESHAFT       |        | 1       |
| 542 20 64-83 | BLADE SHAFT                         |        | 1       |
| 542 20 64-84 | BLADE SHAFT                         |        | 1       |
| 542 20 65-34 | ASSY. BLADESHAFT FS48. L/PL FL      |        | 1       |
| 725 23 66-71 | SCREW EHHM                          |        | 1       |
| 732 25 18-01 | HEXAGON LOCKING NUT                 |        | 1       |
| 740 38 08-01 | SEALING WASHER                      |        | 1       |

# X1 Blade Guard, Husqvarna Gray - Slip-On

Compl. 14" - 541 20 83-66



08.25.08



**CAUTION**

DO NOT use longer than blade guard without changing to correct blade drive. Blade injury or death could occur! (See Operator's Manual.)

NEI mai se prezintă cu help de rezerve înainte să consultați o piesă de schimb sau să instalați o piesă de schimb.

Do not substitute any standard product before you consult the manual. Use of standard die equipment.

NE PAS utiliser une protection de disque de plus grande taille sans changer en même temps le système d'entraînement! Risque de blessure grave, voire mortelle.

Bei Verwendung einer größeren Schutzhaube muss die Antriebsmechanik entsprechend angepasst werden. Andernfalls besteht Verletzungs- oder Lebensgefahr.

Gebühren: GEHTEN größere Schutzhaube zusammen mit Antriebsmechanik aus zu passen. Gefahr von schweren Verletzungen oder dem Tod.

NEI mai se utilizează un dispozitiv de protecție mai mare decât cel recomandat în manualul de instrucțiuni al produsului. Este posibil să apară răni grave sau moartea.

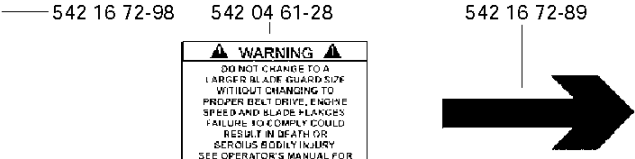
NEI mai se utiliza un protector de disco de maior dimensiune decât cel recomandat în manualul de instrucțiuni al produsului. Este posibil să apară răni grave sau moartea.

AVVERTENZA: USARE di una protezione di disco di maggior diametro senza la opportuna modifica dell'azionamento. Il rischio è di lesioni gravi o morte.

Do not use a longer than blade guard without changing to correct blade drive. Blade injury or death could occur! (See Operator's Manual.)

**WARNING**

DO NOT CHANGE TO A LARGER BLADE GUARD SIZE WITHOUT CHANGING TO PROPER BELT DRIVE, ENGINE SPEED AND BLADE PLANGES. FAILURE TO COMPLY COULD RESULT IN DEATH OR SERIOUS BODILY INJURY. SEE OPERATOR'S MANUAL FOR INSTRUCTIONS. IF YOU DID NOT HAVE AN OPERATOR'S MANUAL, CALL TOLL FREE 1-800-288-5940



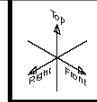
## Blade Guard - Slip-On

FS4800, 2008-01

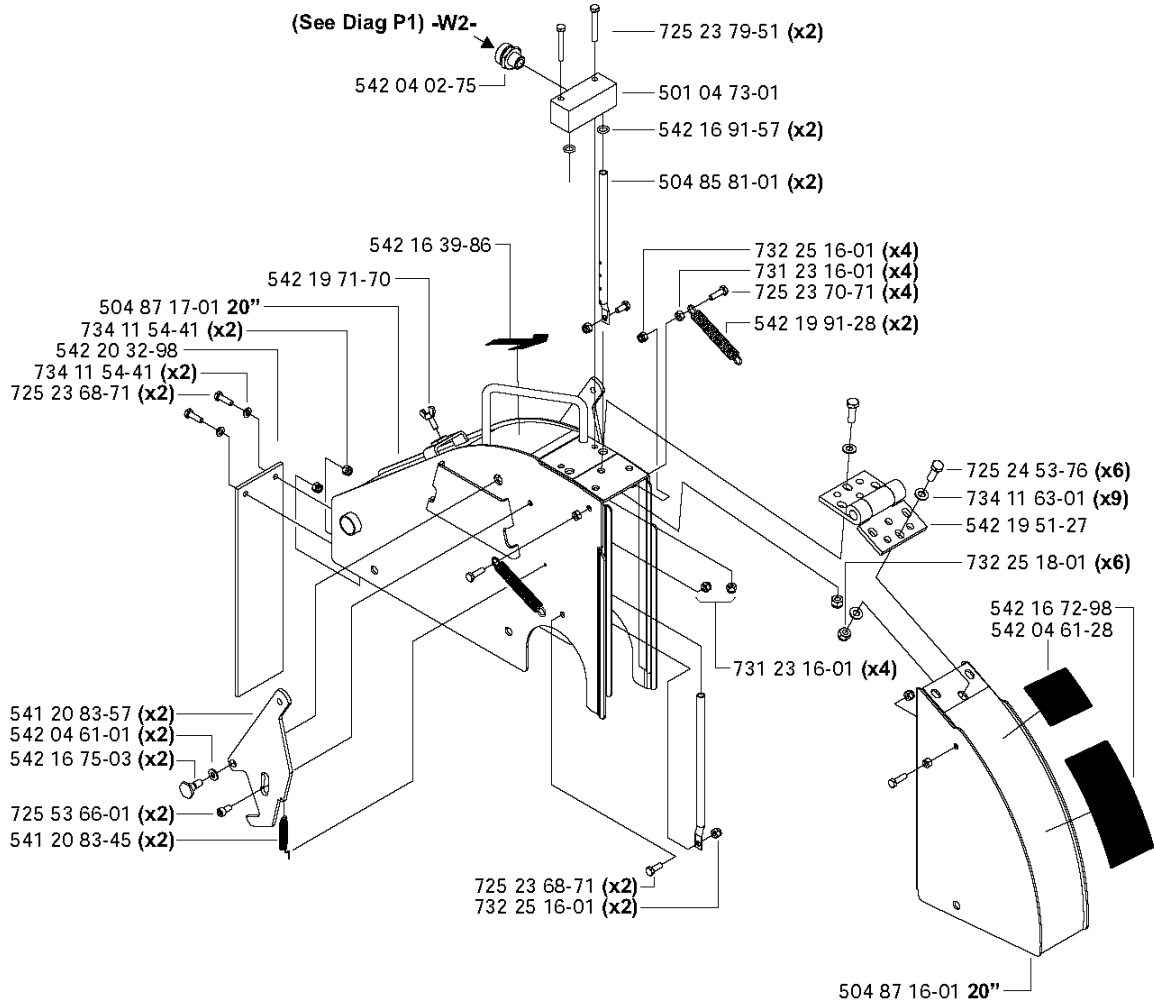
| Part No      | Description                | Remark | QTY KIT |
|--------------|----------------------------|--------|---------|
| 541 20 82-96 | HYD FIT.. 4024-12-6        |        | 1       |
| 541 20 83-45 | SPRING                     |        | 1       |
| 541 20 83-49 | WLDMT.14" BLADE GRD. H-GRY |        | 1       |
| 541 20 83-50 | HANDLE                     |        | 1       |
| 541 20 83-57 | LATCH                      |        | 1       |
| 541 20 83-63 | PIPE. 14" BG               |        | 1       |
| 541 20 83-66 | BLADE GUARD                |        | 1       |
| 542 04 61-01 | WASHER                     |        | 1       |
| 542 04 61-28 | AUFKLEBER                  |        | 1       |
| 542 04 61-28 | AUFKLEBER                  |        | 1       |
| 542 13 90-45 | AXE                        |        | 1       |
| 542 13 90-51 | JOINT                      |        | 1       |
| 542 16 32-75 | SPLASH GUARD               |        | 1       |
| 542 16 72-89 | DECAL                      |        | 1       |
| 542 16 72-89 | DECAL                      |        | 1       |
| 542 16 72-98 | AUFKLEBER                  |        | 1       |
| 542 16 72-98 | AUFKLEBER                  |        | 1       |
| 725 23 68-71 | SCREW EHHM                 |        | 1       |
| 725 23 68-71 | SCREW EHHM                 |        | 1       |
| 725 23 70-71 | SCREW EHHM                 |        | 1       |
| 725 23 72-71 | SCREW EHHM                 |        | 1       |
| 725 23 78-71 | SCREW EHHM                 |        | 1       |
| 725 53 66-01 | SCREW IHSCM                |        | 1       |
| 732 25 16-01 | HEXAGON LOCKING NUT        |        | 1       |
| 732 25 16-01 | HEXAGON LOCKING NUT        |        | 1       |
| 732 25 16-01 | HEXAGON LOCKING NUT        |        | 1       |
| 732 25 16-01 | HEXAGON LOCKING NUT        |        | 1       |
| 734 11 52-01 | WASHER                     |        | 1       |
| 734 11 54-41 | WASHER                     |        | 1       |
| 735 11 53-01 | WASHER                     |        | 1       |
| 735 11 53-01 | WASHER                     |        | 1       |

# X3 Blade Guard Assy - Slip-On

Compl. 20" (500mm) - 504 85 77-01



08.22.08



**WARNING**

DO NOT use larger than blade guard without changing to correct blade drive. Blade injury or death could occur! (See Operator's Manual)

NEC use un protector de hoja de mayor tamaño sin cambiar el modelo de cabezal. Lesión o muerte podrían ocurrir. (Ver el manual del operador.)

Ne le substituez pas pendant l'usage un autre modèle de tête sans changer le modèle de la tête. Blessure ou mort pourraient survenir. (Voir le manuel de l'utilisateur.)

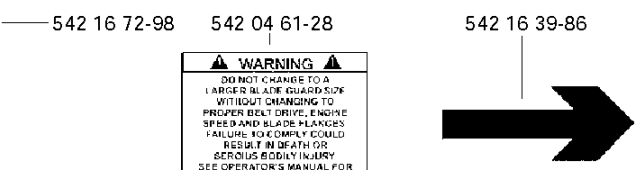
Bei Verwendung einer größeren Schutzhaube ohne Änderung des Antriebsmodells könnte Verletzung oder Tod eintreten. (Siehe Bedienungsanleitung.)

Obwohl dieser große Schutzhaube werden die Schutzhaube nicht zu verwenden. (Siehe die Bedienungsanleitung.)

NE use any other size than of standard plus guard unless you change to correct blade drive. Blade injury or death could occur! (See Operator's Manual)

NE use any other size than of standard plus guard unless you change to correct blade drive. Blade injury or death could occur! (See Operator's Manual)

ANVÄNDNING AV STÖRRE SKÄRBEHÅLLNING UTAN ATT ÄNDRA TILL RÄTT BLADDRIVE KAN FÖRANLÄNNA SVÅRSTYCKE- OCH DÖDSFARE. (Se bruksanvisningen.)



**WARNING**

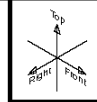
DO NOT CHANGE TO A LARGER BLADE GUARD SIDE WITHOUT CHANGING TO PROPER BELT DRIVE, ENGINE SPEED AND BLADE FLANGES. FAILURE TO COMPLY COULD RESULT IN DEATH OR SERIOUS BODILY INJURY. SEE OPERATOR'S MANUAL FOR INSTRUCTIONS. IF YOU DID NOT HAVE AN OPERATOR'S MANUAL, CALL TOLL FREE 1-800-288-5940



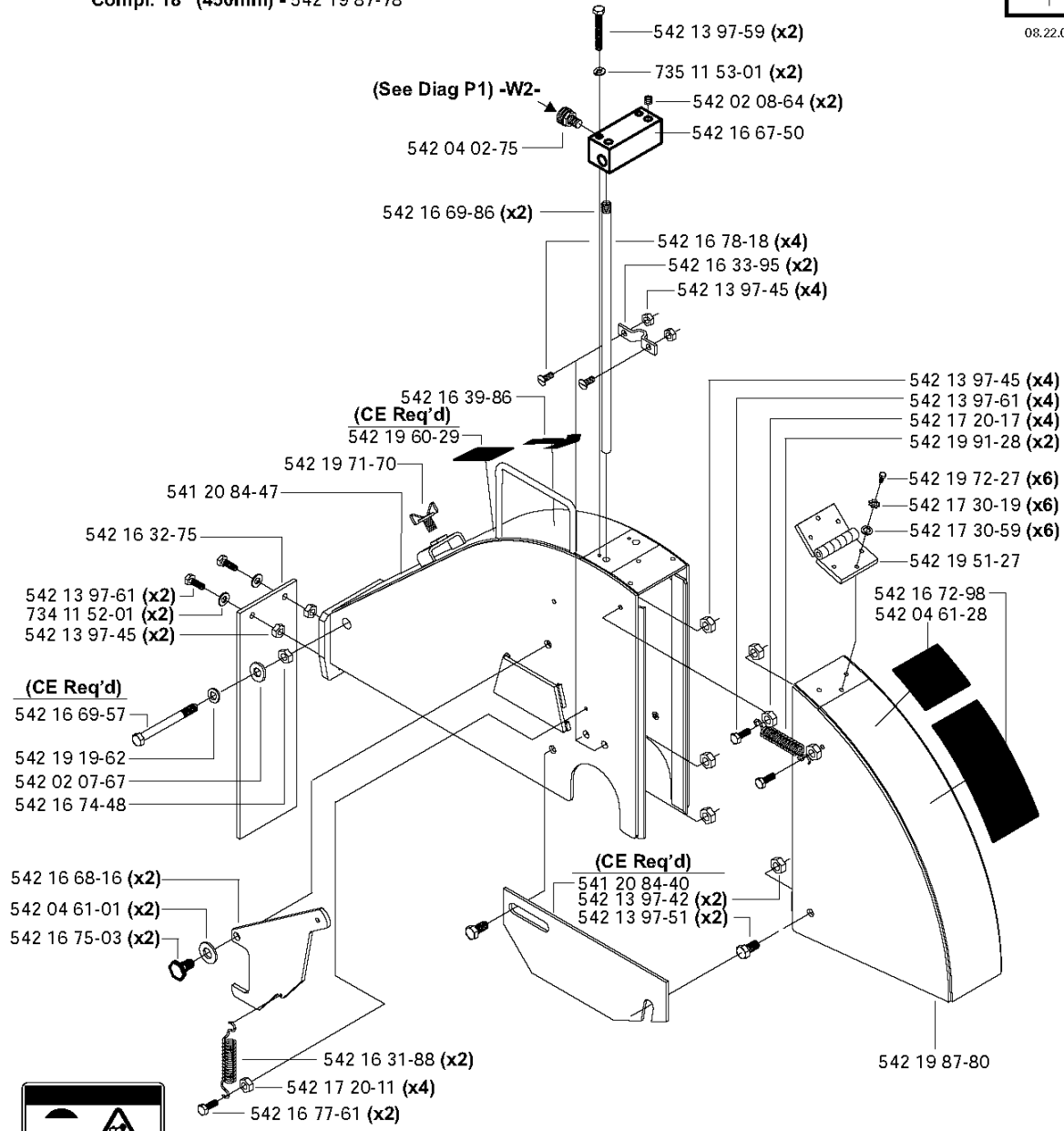
| Part No      | Description                   | Remark | QTY KIT |
|--------------|-------------------------------|--------|---------|
| 501 04 73-01 | MANIFOLD                      |        | 1       |
| 504 85 77-01 | BLADE GUARD                   |        | 1       |
| 504 85 81-01 | TUBE                          |        | 1       |
| 504 87 16-01 | BLADE GUARD                   |        | 1       |
| 504 87 17-01 | BLADE GUARD                   |        | 1       |
| 541 20 83-45 | SPRING                        |        | 1       |
| 541 20 83-57 | LATCH                         |        | 1       |
| 542 04 02-75 | FS900T REDUCTION/HOSE H:ITTIN |        | 1       |
| 542 04 61-01 | WASHER                        |        | 1       |
| 542 04 61-28 | AUFKLEBER                     |        | 1       |
| 542 04 61-28 | AUFKLEBER                     |        | 1       |
| 542 16 39-86 | AUFKLEBER LINKS               |        | 1       |
| 542 16 39-86 | AUFKLEBER LINKS               |        | 1       |
| 542 16 72-98 | AUFKLEBER                     |        | 1       |
| 542 16 72-98 | AUFKLEBER                     |        | 1       |
| 542 16 75-03 | BOLT                          |        | 1       |
| 542 16 91-57 | O-RING                        |        | 1       |
| 542 19 51-27 | HINGE                         |        | 1       |
| 542 19 71-70 | WING BOLT                     |        | 1       |
| 542 19 91-28 | SPRING BLADE GUARD/FS 6600D   |        | 1       |
| 542 20 32-98 | GUARD                         |        | 1       |
| 725 23 68-71 | SCREW EHHM                    |        | 1       |
| 725 23 68-71 | SCREW EHHM                    |        | 1       |
| 725 23 70-71 | SCREW EHHM                    |        | 1       |
| 725 23 79-51 | SCREW EHHM                    |        | 1       |
| 725 24 53-76 | SCREW EHHM                    |        | 1       |
| 725 53 66-01 | SCREW IHSCM                   |        | 1       |
| 731 23 16-01 | HEXAGON NUT                   |        | 1       |
| 731 23 16-01 | HEXAGON NUT                   |        | 1       |
| 732 25 16-01 | HEXAGON LOCKING NUT           |        | 1       |
| 732 25 16-01 | HEXAGON LOCKING NUT           |        | 1       |
| 732 25 18-01 | HEXAGON LOCKING NUT           |        | 1       |
| 734 11 54-41 | WASHER                        |        | 1       |
| 734 11 54-41 | WASHER                        |        | 1       |
| 734 11 63-01 | WASHER                        |        | 1       |

# X2 Blade Guard Assy - Slip-On

Compl. 18" (450mm) - 542 19 87-78



08.22.08



**CAUTION**  
 DO NOT use larger size blade guard without changing to correct blade drive. Blade injury or death could occur! See Operator's Manual.  
 NE PAS utiliser une protection de disque de plus grande taille sans changer en même temps le système d'alimentation. Risque de blessures graves, voire mortelles.  
 Bei Verwendung einer größeren Schutzhaube ohne Änderung des Antriebsmechanismus besteht Gefahr von schweren Verletzungen oder Lebensgefahr.  
 Geben Sie große Einzelteile immer an einem sicheren Ort ab und lassen Sie sie von einem Kind fernhalten.  
 Never use any larger size disc of diameter and guard size without changing to correct blade drive. Blade injury or death could occur! See Operator's Manual.  
 ALWAYS USE and maintain use in strict accordance with the instructions in the manual. Do not make any modifications to the instructions.

**WARNING**  
 DO NOT CHANGE TO A LARGER BLADE GUARD SIZE WITHOUT CHANGING TO PROPER BELT DRIVE, ENGINE SPEED AND BLADE FLANGES. FAILURE TO COMPLY COULD RESULT IN DEATH OR SERIOUS BODILY INJURY. SEE OPERATOR'S MANUAL FOR INSTRUCTIONS. IF YOU DO NOT HAVE AN OPERATOR'S MANUAL, CALL TOLL FREE 1-800-288-5940

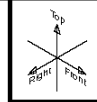


542 19 60-29 (CE Req'd)

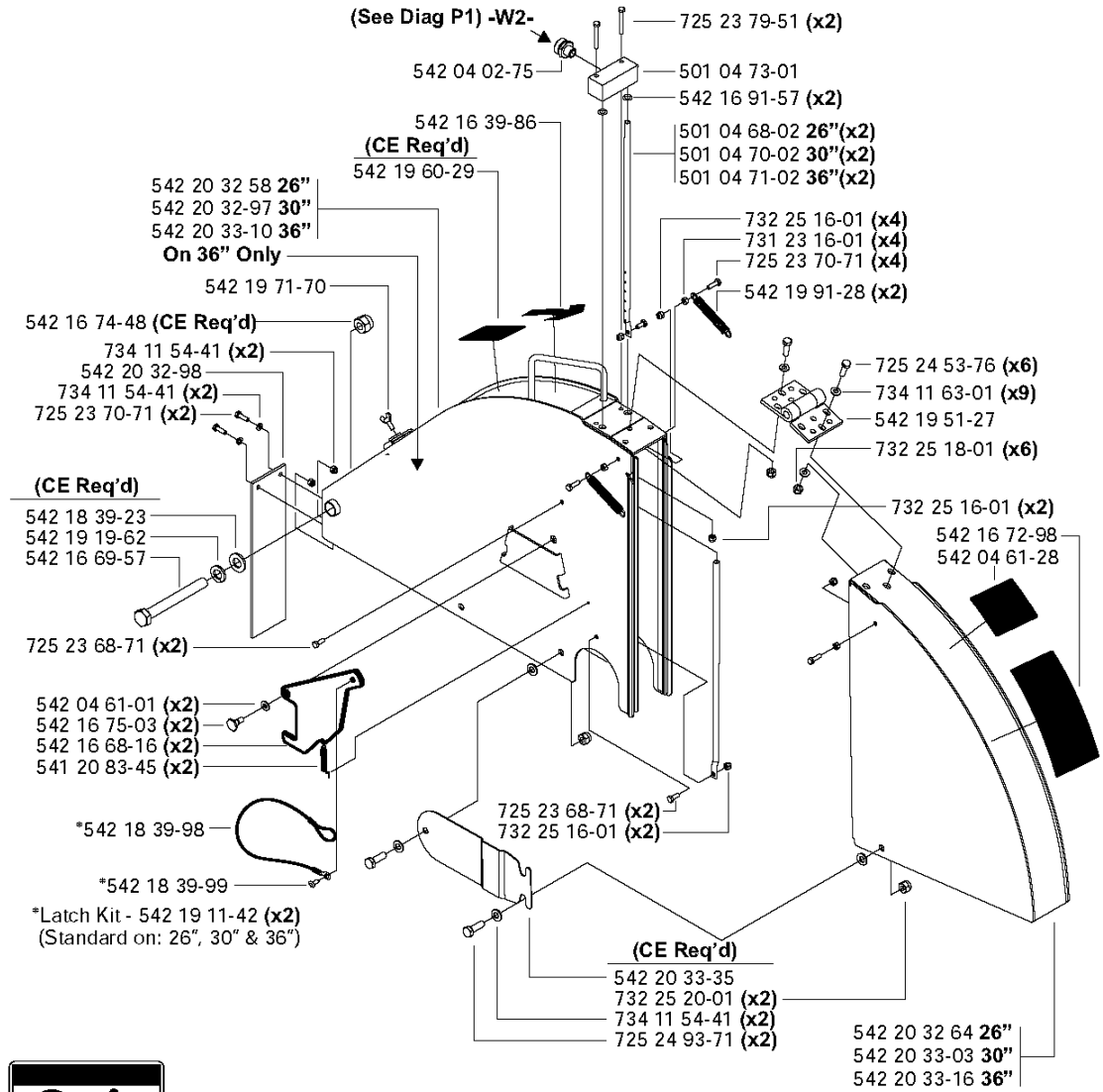
| Part No      | Description                    | Remark | QTY KIT |
|--------------|--------------------------------|--------|---------|
| 541 20 84-40 | PLATE                          |        | 1       |
| 541 20 84-47 | REAR BLD GRD WLDT-18" PC H-GRY |        | 1       |
| 542 02 07-67 | SCHEIBE FLAT 5/8 SAE           |        | 1       |
| 542 02 08-64 | FS900T SCREW TAP/              |        | 1       |
| 542 04 02-75 | FS900T REDUCTION/HOSE H:ITTIN  |        | 1       |
| 542 04 61-01 | WASHER                         |        | 1       |
| 542 04 61-28 | AUFKLEBER                      |        | 1       |
| 542 04 61-28 | AUFKLEBER                      |        | 1       |
| 542 13 97-42 | NUT                            |        | 1       |
| 542 13 97-45 | LOCK NUT                       |        | 1       |
| 542 13 97-45 | LOCK NUT                       |        | 1       |
| 542 13 97-45 | LOCK NUT                       |        | 1       |
| 542 13 97-51 | HUTSCHRAUBE HX HD.M12-1,75X25  |        | 1       |
| 542 13 97-59 | SCREW                          |        | 1       |
| 542 13 97-61 | M6 X 20MM SET SCREW/           |        | 1       |
| 542 13 97-61 | M6 X 20MM SET SCREW/           |        | 1       |
| 542 16 31-88 | SPRING                         |        | 1       |
| 542 16 32-75 | SPLASH GUARD                   |        | 1       |
| 542 16 33-95 | FS900T 1/2 COLLIER/            |        | 1       |
| 542 16 39-86 | AUFKLEBER LINKS                |        | 1       |
| 542 16 39-86 | AUFKLEBER LINKS                |        | 1       |
| 542 16 67-50 | MANNIFOLD ASSY FOR/FS902T      |        | 1       |
| 542 16 68-16 | LATCH                          |        | 1       |
| 542 16 69-57 | HHCS M16 X 2.0 X 110 /DIN931 Z |        | 1       |
| 542 16 69-86 | WATER TUBE 18" GUARD/"         |        | 1       |
| 542 16 72-98 | AUFKLEBER                      |        | 1       |
| 542 16 72-98 | AUFKLEBER                      |        | 1       |
| 542 16 74-48 | FS900T NUT/                    |        | 1       |
| 542 16 75-03 | BOLT                           |        | 1       |
| 542 16 77-61 | SCREW                          |        | 1       |
| 542 16 78-18 | SCREW                          |        | 1       |
| 542 17 20-11 | NUT                            |        | 1       |
| 542 17 20-17 | NUT                            |        | 1       |
| 542 17 30-19 | STAR WASHER, EXTERNAL M8/      |        | 1       |
| 542 17 30-59 | WASHER                         |        | 1       |
| 542 19 19-62 | SCHEIBE M16 DIN127             |        | 1       |
| 542 19 51-27 | HINGE                          |        | 1       |
| 542 19 60-29 | DECAL                          |        | 1       |
| 542 19 60-29 | DECAL                          |        | 1       |
| 542 19 71-70 | WING BOLT                      |        | 1       |
| 542 19 72-27 | SCREW                          |        | 1       |
| 542 19 87-78 | LAIKKASUOJA / FS3100           |        | 1       |
| 542 19 87-80 | BLATTSCHUTZ VORNE 18" GRAU     |        | 1       |
| 542 19 91-28 | SPRING BLADE GUARD/FS 6600D    |        | 1       |
| 734 11 52-01 | WASHER                         |        | 1       |
| 735 11 53-01 | WASHER                         |        | 1       |

# X4 Blade Guard Assy - Slip-On

- Compl. 26" (600mm) - 542 20 32-66
- Compl. 30" (800mm) - 542 20 33-05
- Compl. 36" (900mm) - 542 20 33-18



08.22.08



**CAUTION**

DO NOT use longer than blade guard without changing to correct blade drive. Blade injury or death could occur! (See Operator's Manual)

NEC use un protector de hoja de mayor tamaño sin cambiar el modelo de la hoja.

Do not substitute an oversized product because you will lose control of the machine.

NE PAS utiliser une protection de disque de plus grande taille sans changer en même temps le modèle d'entraînement. Risque de blessure grave, voire mortelle.

Bei Verwendung einer größeren Schutzhaube ohne die richtige Antriebsart zu ändern, besteht die Gefahr von schweren Verletzungen oder Lebensgefahr.

Obwohl dieser große Schutzring auch für größere Modelle geeignet ist, darf er nur bei der richtigen Antriebsart verwendet werden.

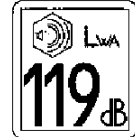
NE use an engine and drive of diameter and speed more suitable to your engine and power transmission. Failure to do so could result in serious injury or death.

AVVERTENZA: NEZ utilizzare protezioni di diametro e velocità superiori a quelle indicate nel manuale dell'utente. Il mancato rispetto di questa avvertenza potrebbe causare gravi lesioni o la morte.

- 542 16 72-98
- 542 04 61-28
- 542 16 39-86
- 542 19 60-29 (CE Req'd)

**WARNING**

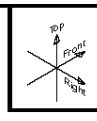
DO NOT CHANGE TO A LARGER BLADE GUARD SIDE WITHOUT CHANGING TO PROPER BELT DRIVE, ENGINE SPEED AND BLADE PLANGES. FAILURE TO COMPLY COULD RESULT IN DEATH OR SERIOUS BODILY INJURY. SEE OPERATOR'S MANUAL FOR INSTRUCTIONS. IF YOU DID NOT HAVE AN OPERATOR'S MANUAL, CALL TOLL FREE 1-800-288-5940



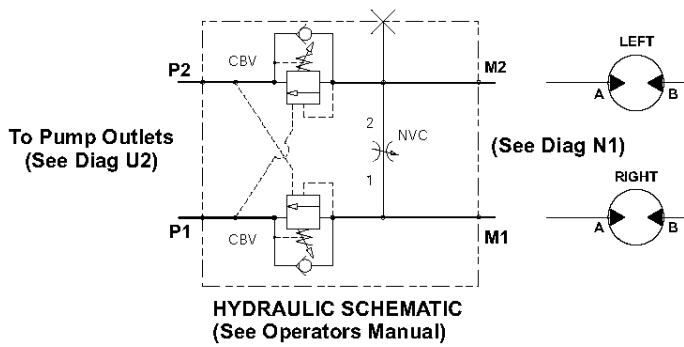
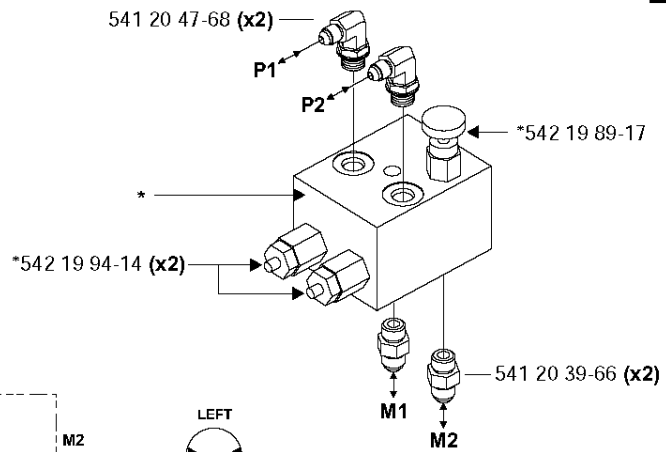
| Part No      | Description                    | Remark | QTY KIT |
|--------------|--------------------------------|--------|---------|
| 501 04 68-02 | TUBE                           |        | 1       |
| 501 04 70-02 | TUBE                           |        | 1       |
| 501 04 71-02 | TUBE                           |        | 1       |
| 501 04 73-01 | MANIFOLD                       |        | 1       |
| 541 20 83-45 | SPRING                         |        | 1       |
| 542 04 02-75 | FS900T REDUCTION/HOSE H:ITTIN  |        | 1       |
| 542 04 61-01 | WASHER                         |        | 1       |
| 542 04 61-28 | AUFKLEBER                      |        | 1       |
| 542 04 61-28 | AUFKLEBER                      |        | 1       |
| 542 16 39-86 | AUFKLEBER LINKS                |        | 1       |
| 542 16 39-86 | AUFKLEBER LINKS                |        | 1       |
| 542 16 68-16 | LATCH                          |        | 1       |
| 542 16 69-57 | HHCS M16 X 2.0 X 110 /DIN931 Z |        | 1       |
| 542 16 72-98 | AUFKLEBER                      |        | 1       |
| 542 16 72-98 | AUFKLEBER                      |        | 1       |
| 542 16 74-48 | FS900T NUT/                    |        | 1       |
| 542 16 75-03 | BOLT                           |        | 1       |
| 542 16 91-57 | O-RING                         |        | 1       |
| 542 18 39-23 | WASHER                         |        | 1       |
| 542 18 39-98 | SCHLEIFE                       |        | 1       |
| 542 18 39-99 | SCREW                          |        | 1       |
| 542 19 11-42 | BLATTSCHUTZ                    |        | 1       |
| 542 19 19-62 | SCHEIBE M16 DIN127             |        | 1       |
| 542 19 51-27 | HINGE                          |        | 1       |
| 542 19 60-29 | DECAL                          |        | 1       |
| 542 19 60-29 | DECAL                          |        | 1       |
| 542 19 71-70 | WING BOLT                      |        | 1       |
| 542 19 91-28 | SPRING BLADE GUARD/FS 6600D    |        | 1       |
| 542 20 32-58 | BLADE GUARD                    |        | 1       |
| 542 20 32-64 | BLADE GUARD                    |        | 1       |
| 542 20 32-66 | BLADE GUARD                    |        | 1       |
| 542 20 32-97 | BLADE GUARD                    |        | 1       |
| 542 20 32-98 | GUARD                          |        | 1       |
| 542 20 33-03 | BLADE GUARD                    |        | 1       |
| 542 20 33-05 | BLADE GUARD                    |        | 1       |
| 542 20 33-10 | BLADE GUARD                    |        | 1       |
| 542 20 33-16 | BLADE GUARD                    |        | 1       |
| 542 20 33-18 | BLADE GUARD                    |        | 1       |
| 542 20 33-35 | COVER                          |        | 1       |
| 725 23 68-71 | SCREW EHHM                     |        | 1       |
| 725 23 68-71 | SCREW EHHM                     |        | 1       |
| 725 23 70-71 | SCREW EHHM                     |        | 1       |
| 725 23 70-71 | SCREW EHHM                     |        | 1       |
| 725 23 79-51 | SCREW EHHM                     |        | 1       |
| 725 24 53-76 | SCREW EHHM                     |        | 1       |
| 725 24 93-71 | SCREW EHHM                     |        | 1       |
| 731 23 16-01 | HEXAGON NUT                    |        | 1       |
| 732 25 16-01 | HEXAGON LOCKING NUT            |        | 1       |
| 732 25 16-01 | HEXAGON LOCKING NUT            |        | 1       |
| 732 25 16-01 | HEXAGON LOCKING NUT            |        | 1       |
| 732 25 18-01 | HEXAGON LOCKING NUT            |        | 1       |
| 732 25 20-01 | HEXAGON LOCKING NUT            |        | 1       |
| 734 11 54-41 | WASHER                         |        | 1       |
| 734 11 54-41 | WASHER                         |        | 1       |
| 734 11 54-41 | WASHER                         |        | 1       |
| 734 11 63-01 | WASHER                         |        | 1       |

**V1** Bypass / C'-Balance Valve  
**\*\* Front Pivot \*\***  
 (See Diag B2)

\*542 19 89-15 Valve - Compl

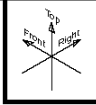


12.05.06

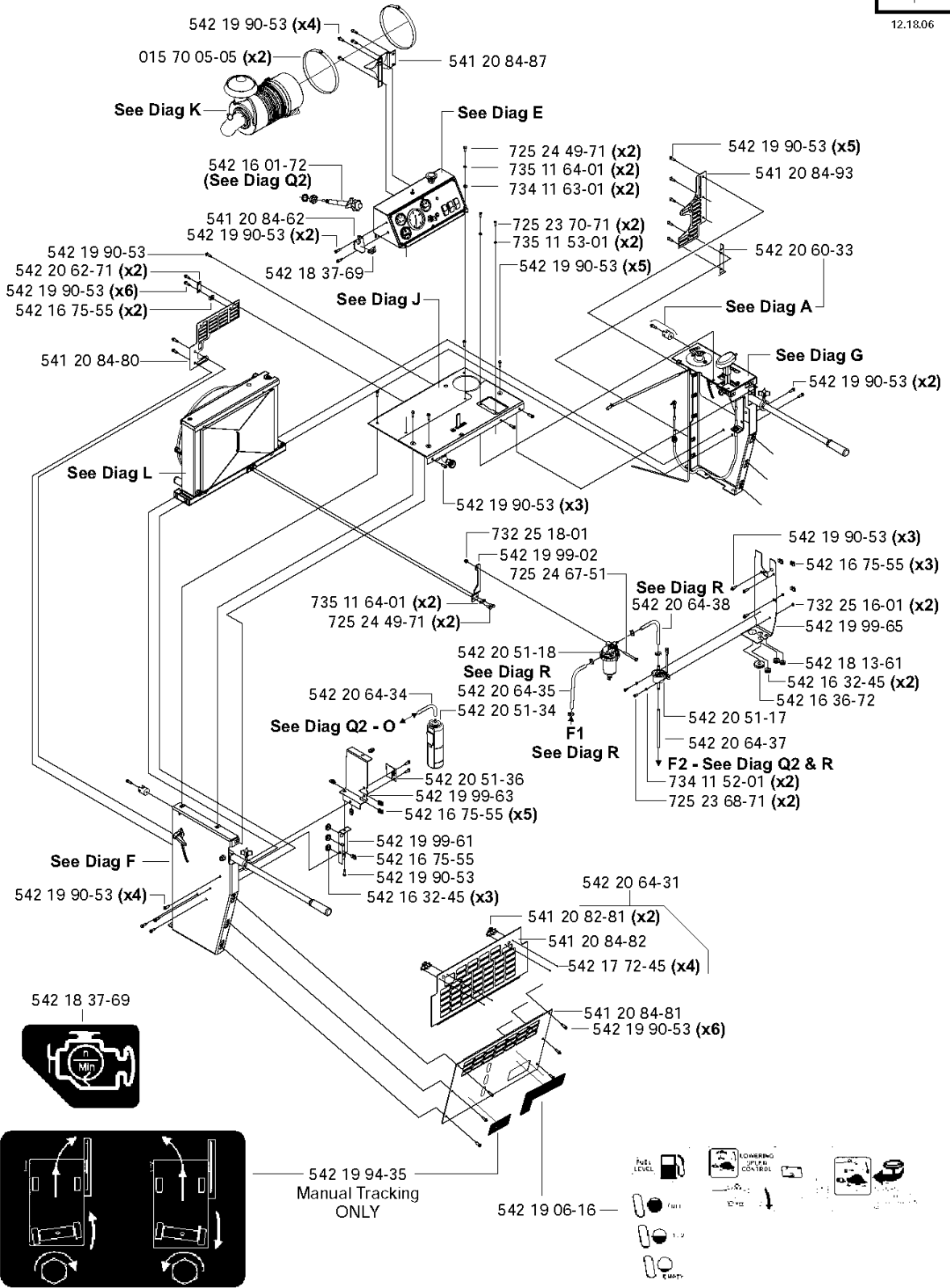


| Part No      | Description         | Remark | QTY KIT |
|--------------|---------------------|--------|---------|
| 541 20 39-66 | HYD.FIT.. 2406-6-4  |        | 1       |
| 541 20 47-68 | HYDRAULIK ANPASSUNG |        | 1       |
| 542 19 89-15 | AUSGLEICHSVENTIL    |        | 1       |
| 542 19 89-17 | KEGELVENTIL         |        | 1       |
| 542 19 94-14 | CARTRIDGE           |        | 1       |

# D Cowling

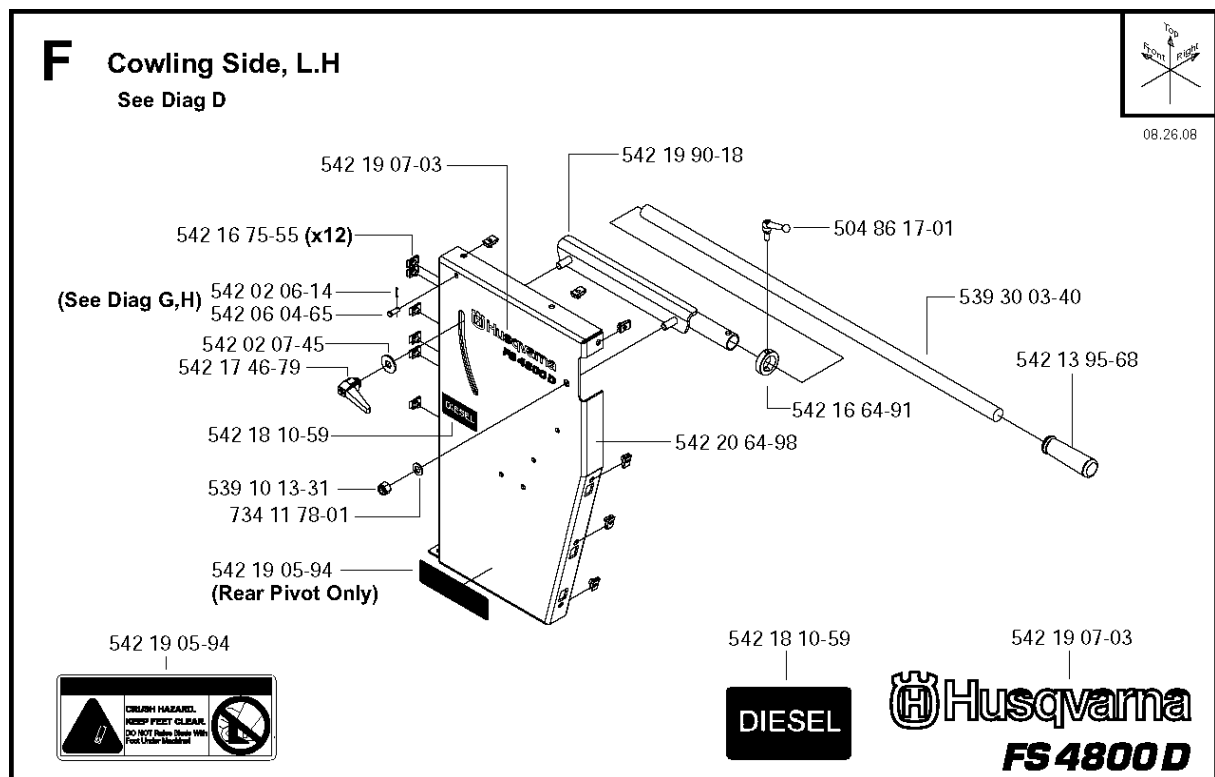


12.18.06

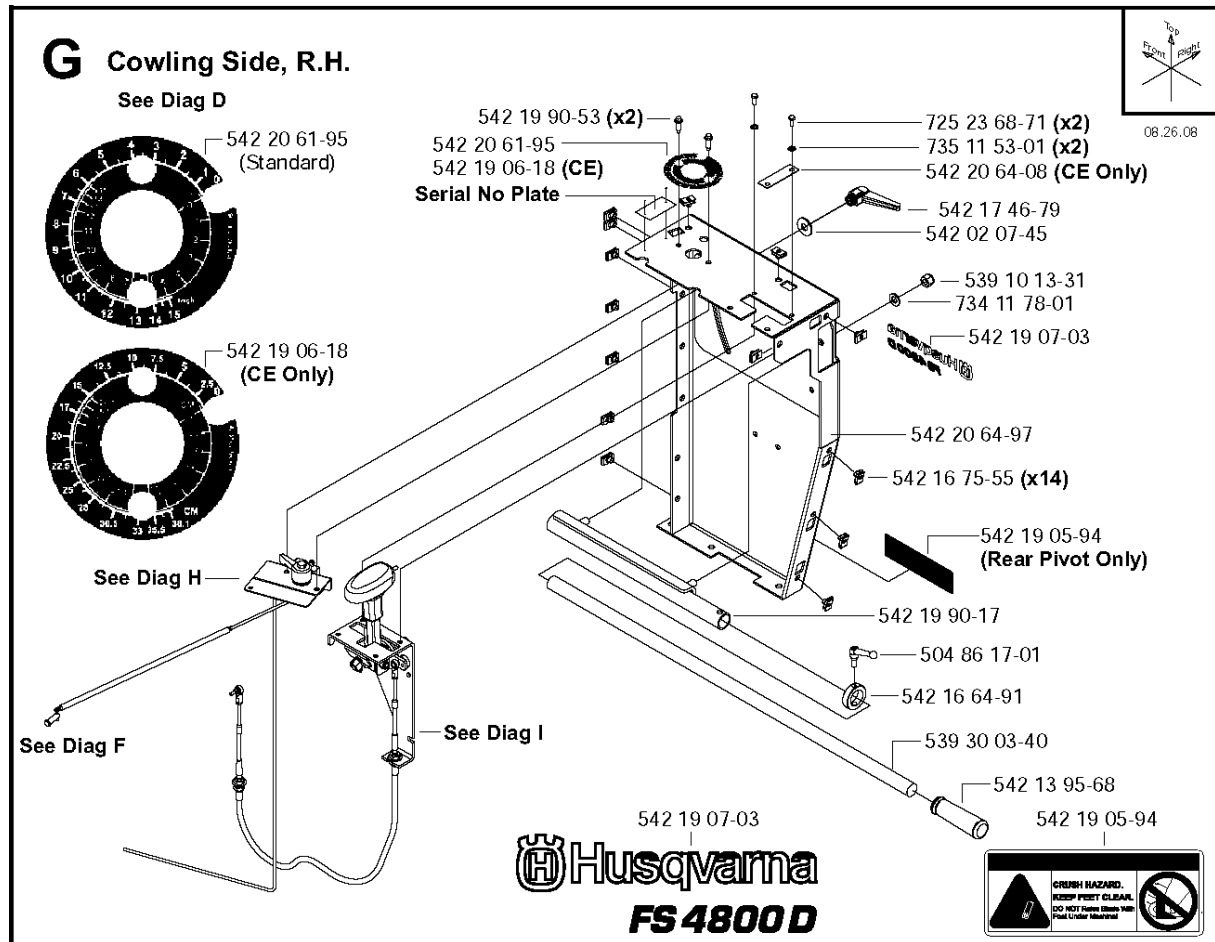




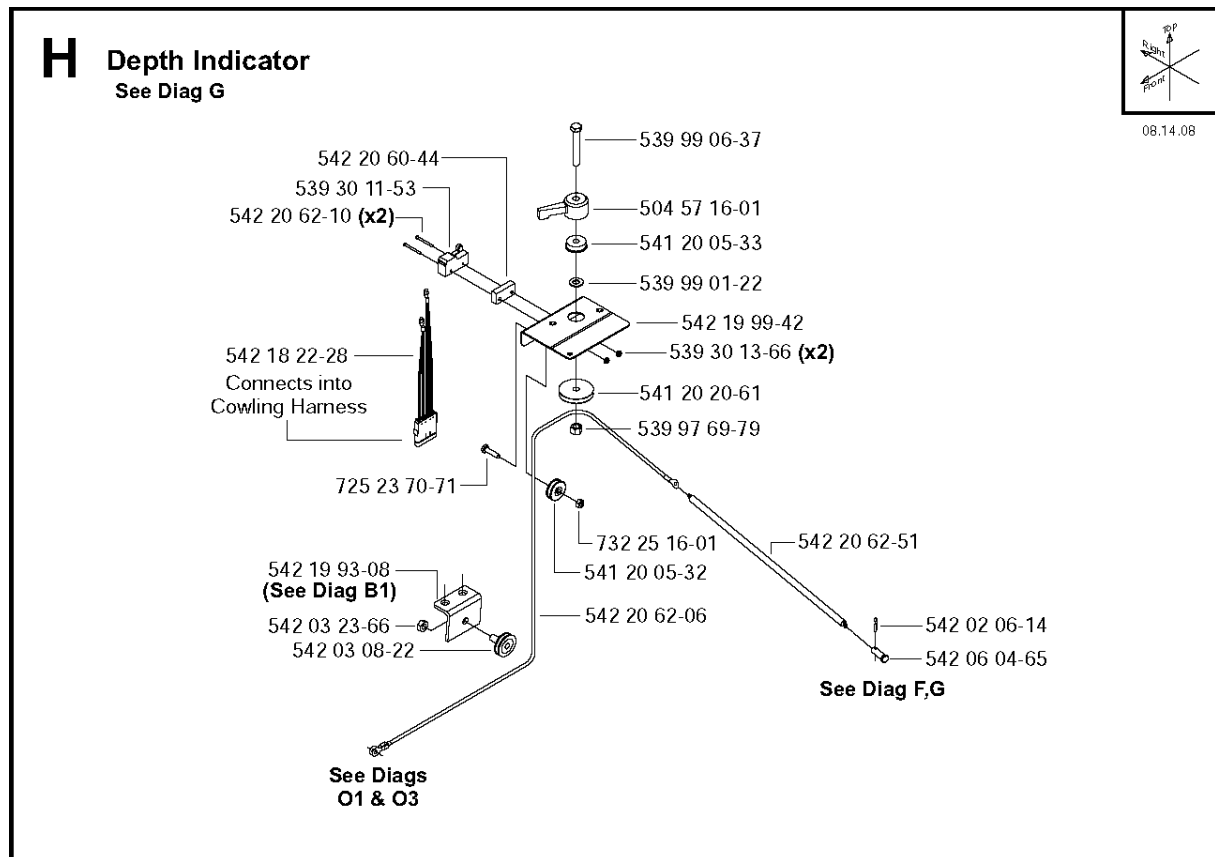
| Part No      | Description                    | Remark | QTY KIT |
|--------------|--------------------------------|--------|---------|
| 541 20 82-81 | LATCH                          |        | 1       |
| 541 20 84-62 | BRKT. THROTTLE CABLE. PC H-GRY |        | 1       |
| 541 20 84-80 | FAN GUARD. LH. PC H-ORG        |        | 1       |
| 541 20 84-81 | COWL. REAR PANEL. PC H-GRY     |        | 1       |
| 541 20 84-82 | REAR. REMOVABLE PNL. PC H-GRY  |        | 1       |
| 541 20 84-87 | BRKT.AIR CLNR CRADLE.PC H-GRY  |        | 1       |
| 541 20 84-93 | SHIELD. ALT BELT. PC H-ORG     |        | 1       |
| 542 16 01-72 | WIRE ACELERATOR MOTOR FS/      |        | 1       |
| 542 16 32-45 | TUELLE 5/8"                    |        | 1       |
| 542 16 32-45 | TUELLE 5/8"                    |        | 1       |
| 542 16 36-72 | DISTANZRING                    |        | 1       |
| 542 16 75-55 | NUT                            |        | 1       |
| 542 16 75-55 | NUT                            |        | 1       |
| 542 16 75-55 | NUT                            |        | 1       |
| 542 16 75-55 | NUT                            |        | 1       |
| 542 17 72-45 | RIVET. POP 1/8" DIA X .06-.13  |        | 1       |
| 542 18 13-61 | GROMMET                        |        | 1       |
| 542 18 37-69 | AUFKLEBER                      |        | 1       |
| 542 18 37-69 | AUFKLEBER                      |        | 1       |
| 542 19 06-16 | DECAL                          |        | 1       |
| 542 19 90-53 | HWH BODY BOLT W/DOG/PT M8-1.25 |        | 1       |
| 542 19 90-53 | HWH BODY BOLT W/DOG/PT M8-1.25 |        | 1       |
| 542 19 90-53 | HWH BODY BOLT W/DOG/PT M8-1.25 |        | 1       |
| 542 19 90-53 | HWH BODY BOLT W/DOG/PT M8-1.25 |        | 1       |
| 542 19 90-53 | HWH BODY BOLT W/DOG/PT M8-1.25 |        | 1       |
| 542 19 90-53 | HWH BODY BOLT W/DOG/PT M8-1.25 |        | 1       |
| 542 19 90-53 | HWH BODY BOLT W/DOG/PT M8-1.25 |        | 1       |
| 542 19 90-53 | HWH BODY BOLT W/DOG/PT M8-1.25 |        | 1       |
| 542 19 90-53 | HWH BODY BOLT W/DOG/PT M8-1.25 |        | 1       |
| 542 19 90-53 | HWH BODY BOLT W/DOG/PT M8-1.25 |        | 1       |
| 542 19 90-53 | HWH BODY BOLT W/DOG/PT M8-1.25 |        | 1       |
| 542 19 90-53 | HWH BODY BOLT W/DOG/PT M8-1.25 |        | 1       |
| 542 19 90-53 | HWH BODY BOLT W/DOG/PT M8-1.25 |        | 1       |
| 542 19 94-35 | DECAL                          |        | 1       |
| 542 19 99-02 | BRACKET                        |        | 1       |
| 542 19 99-61 | AIR DAM. LH. BLACK             |        | 1       |
| 542 19 99-63 | AIR DAM. LH TOP. BLACK         |        | 1       |
| 542 19 99-65 | AIR DAM. RH TOP. BLACK         |        | 1       |
| 542 20 51-17 | FUEL PUMP                      |        | 1       |
| 542 20 51-18 | FUEL SEPARATOR FS4800D         |        | 1       |
| 542 20 51-34 | SUB-TANK ASSY                  |        | 1       |
| 542 20 51-36 | BRACKET. SUB-TANK              |        | 1       |
| 542 20 60-33 | BRACKET. SIDE SHIELD MNT.BLACK |        | 1       |
| 542 20 62-71 | TAB. FAN GUARD MOUNT. BLACK    |        | 1       |
| 542 20 64-31 | REAR. REMOVABLE PANEL - COMPL  |        | 1       |
| 542 20 64-34 | HOSE                           |        | 1       |
| 542 20 64-35 | HOSE ASSY                      |        | 1       |
| 542 20 64-37 | HOSE                           |        | 1       |
| 542 20 64-38 | HOSE                           |        | 1       |
| 725 23 68-71 | SCREW EHHM                     |        | 1       |
| 725 23 70-71 | SCREW EHHM                     |        | 1       |
| 725 24 49-71 | SCREW EHHM                     |        | 1       |
| 725 24 49-71 | SCREW EHHM                     |        | 1       |
| 725 24 67-51 | SCREW EHHM                     |        | 1       |
| 732 25 16-01 | HEXAGON LOCKING NUT            |        | 1       |
| 732 25 18-01 | HEXAGON LOCKING NUT            |        | 1       |
| 734 11 52-01 | WASHER                         |        | 1       |
| 734 11 63-01 | WASHER                         |        | 1       |
| 735 11 53-01 | WASHER                         |        | 1       |
| 735 11 64-01 | SPRING WASHER                  |        | 1       |
| 735 11 64-01 | SPRING WASHER                  |        | 1       |



| Part No      | Description                    | Remark | QTY KIT |
|--------------|--------------------------------|--------|---------|
| 504 86 17-01 | LEVER                          |        | 1       |
| 539 10 13-31 | NUT                            |        | 1       |
| 539 30 03-40 | HANDLE BAR                     |        | 1       |
| 542 02 06-14 | FS200T GOUPILLE/               |        | 1       |
| 542 02 07-45 | HS350T RINGS/                  |        | 1       |
| 542 06 04-65 | GOUJON/                        |        | 1       |
| 542 13 95-68 | FS902T GRIP/                   |        | 1       |
| 542 16 64-91 | MANSCHETTE                     |        | 1       |
| 542 16 75-55 | NUT                            |        | 1       |
| 542 17 46-79 | ADJUSTABLE LEVER/FS 6600D      |        | 1       |
| 542 18 10-59 | DECAL                          |        | 1       |
| 542 18 10-59 | DECAL                          |        | 1       |
| 542 19 05-94 | DECAL                          |        | 1       |
| 542 19 05-94 | DECAL                          |        | 1       |
| 542 19 07-03 | DECAL                          |        | 1       |
| 542 19 07-03 | DECAL                          |        | 1       |
| 542 19 90-18 | LENGSTANGENFASSUNG LINKS       |        | 1       |
| 542 20 64-98 | COWL WLDMT LH HUSQVARNA ORANGE |        | 1       |
| 734 11 78-01 | WASHER                         |        | 1       |



| Part No      | Description                    | Remark | QTY KIT |
|--------------|--------------------------------|--------|---------|
| 504 86 17-01 | LEVER                          |        | 1       |
| 539 10 13-31 | NUT                            |        | 1       |
| 539 30 03-40 | HANDLE BAR                     |        | 1       |
| 542 02 07-45 | HS350T RINGS/                  |        | 1       |
| 542 13 95-68 | FS902T GRIP/                   |        | 1       |
| 542 16 64-91 | MANSCHETTE                     |        | 1       |
| 542 16 75-55 | NUT                            |        | 1       |
| 542 17 46-79 | ADJUSTABLE LEVER/FS 6600D      |        | 1       |
| 542 19 05-94 | DECAL                          |        | 1       |
| 542 19 05-94 | DECAL                          |        | 1       |
| 542 19 06-18 | DECAL                          |        | 1       |
| 542 19 06-18 | DECAL                          |        | 1       |
| 542 19 07-03 | DECAL                          |        | 1       |
| 542 19 07-03 | DECAL                          |        | 1       |
| 542 19 90-17 | LANGSTANGENFASSUNG RECHTS      |        | 1       |
| 542 19 90-53 | HWH BODY BOLT W/DOG/PT M8-1.25 |        | 1       |
| 542 20 61-95 | DECAL                          |        | 1       |
| 542 20 61-95 | DECAL                          |        | 1       |
| 542 20 64-08 | LIMITER PLATE. SPEED CONTROL   |        | 1       |
| 542 20 64-97 | COWL WLDMT RH HUSQVARNA ORANGE |        | 1       |
| 725 23 68-71 | SCREW EHHM                     |        | 1       |
| 734 11 78-01 | WASHER                         |        | 1       |
| 735 11 53-01 | WASHER                         |        | 1       |



## Depth Indicator

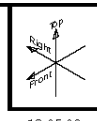
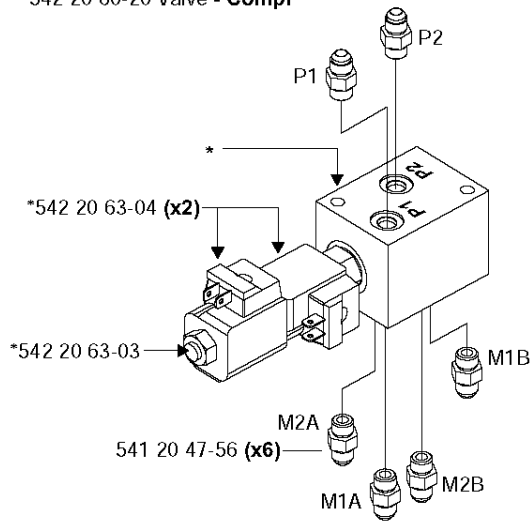
FS4800, 2008-01

| Part No      | Description                    | Remark | QTY KIT |
|--------------|--------------------------------|--------|---------|
| 504 57 16-01 | POINTER                        |        | 1       |
| 539 30 11-53 | SCHALTER TIEFENEINSTELLUNG     |        | 1       |
| 539 30 13-66 | NUT                            |        | 1       |
| 539 97 69-79 | NUT                            |        | 1       |
| 539 99 01-22 | WASHER                         |        | 1       |
| 539 99 06-37 | SCREW                          |        | 1       |
| 541 20 05-32 | PULLEY.CABLE DEPTH INDIC FS480 |        | 1       |
| 541 20 05-33 | BEARING                        |        | 1       |
| 541 20 20-61 | PULLEY                         |        | 1       |
| 542 02 06-14 | FS200T GOUPILLE/               |        | 1       |
| 542 03 08-22 | FS700/2/900/2 WHEEL SUR/BEARIN |        | 1       |
| 542 03 23-66 | FS900T SCREW NUT/              |        | 1       |
| 542 06 04-65 | GOUJON/                        |        | 1       |
| 542 18 22-28 | KABELBAUM                      |        | 1       |
| 542 19 93-08 | RADHALTER                      |        | 1       |
| 542 19 99-42 | DEPTH INDICATOR BRKT WLD.BLACK |        | 1       |
| 542 20 60-44 | SPACER                         |        | 1       |
| 542 20 62-06 | CABLE                          |        | 1       |
| 542 20 62-10 | RHMS. #6-32 X 1.50. Z/P        |        | 1       |
| 542 20 62-51 | SPRING                         |        | 1       |
| 725 23 70-71 | SCREW EHHM                     |        | 1       |
| 732 25 16-01 | HEXAGON LOCKING NUT            |        | 1       |

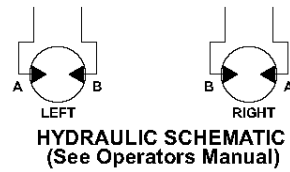
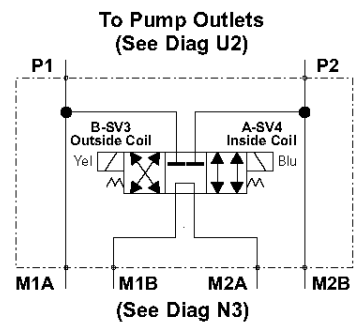
# V2 Differential Lock Valve

**\*\* Rear Pivot \*\***  
(See Diag B2 & N3)

\*542 20 60-20 Valve - Compl



12.05.06



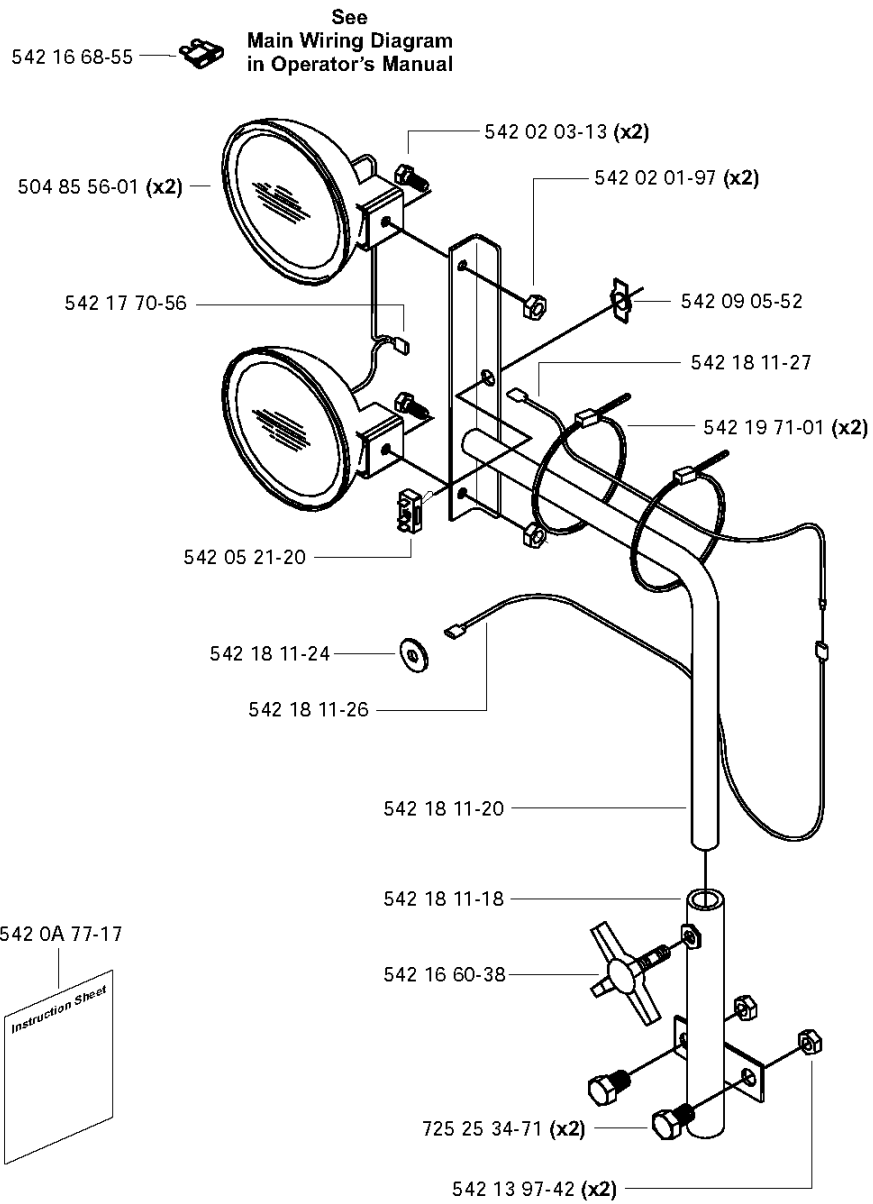


| Part No      | Description              | Remark | QTY KIT |
|--------------|--------------------------|--------|---------|
| 541 20 47-56 | HYDRAULIK ANPASSUNG      |        | 1       |
| 542 20 60-20 | VALVE. DIFFERENTIAL LOCK |        | 1       |
| 542 20 63-03 | CARTRIDGE                |        | 1       |
| 542 20 63-04 | COIL                     |        | 1       |

# Z Dual Work Light Kit

Compl Kit - 542 18 11 -17

03.26.08



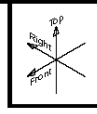
## Dual Work Light Kit

FS4800, 2008-01

| Part No      | Description                    | Remark | QTY KIT |
|--------------|--------------------------------|--------|---------|
| 504 85 56-01 | LAMP                           |        | 1       |
| 542 02 01-97 | FS900T SCREW NUT/              |        | 1       |
| 542 02 03-13 | FS900T SCREW/                  |        | 1       |
| 542 05 21-20 | SWITCH FOR LIGHT ASSY./FS902T  |        | 1       |
| 542 09 05-52 | PLATE                          |        | 1       |
| 542 13 97-42 | NUT                            |        | 1       |
| 542 16 60-38 | KNOB                           |        | 1       |
| 542 16 68-55 | FUSE                           |        | 1       |
| 542 17 70-56 | REIHENKLEMME 1/4"              |        | 1       |
| 542 18 11-17 | SPOTLIGHT KIT (2 LENSES)/FS904 |        | 1       |
| 542 18 11-18 | ROHRHALTER                     |        | 1       |
| 542 18 11-20 | BOGENSCHIENE                   |        | 1       |
| 542 18 11-24 | GUMMIBOLZEN 3/16"              |        | 1       |
| 542 18 11-26 | CABLE                          |        | 1       |
| 542 18 11-27 | CABLE                          |        | 1       |
| 542 19 71-01 | CABLE                          |        | 1       |
| 725 25 34-71 | SCREW EHHM                     |        | 1       |

# P1 Engine - Gearbox Standard

**\*\* 1 & 3-Speed \*\***



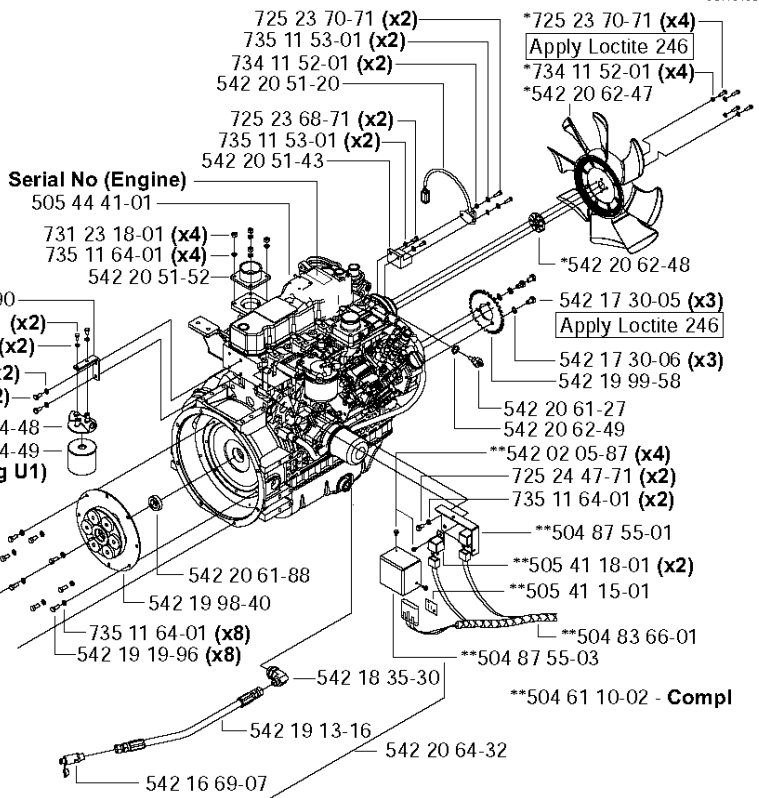
**Engine Service Parts**

- \* (See in Diag P1)
- 542 20 63-60 Filter, Fuel
- 542 20 63-61 Belt, Alternator (A-36)
- 542 20 63-62 Thermstat
- 542 20 63-63 Gasket, Thermostat
- 542 20 63-64 Starter Motor
- 542 20 63-65 Alternator
- 542 20 63-66 Pressure Switch, Oil
- 542 20 63-69 Filter, Oil
- 542 20 63-71 Heater, Air Intake
- 542 20 51-17 Pump, Fuel
- 542 20 51-18 Separator, Fuel/Water

**Serial No (Engine)**

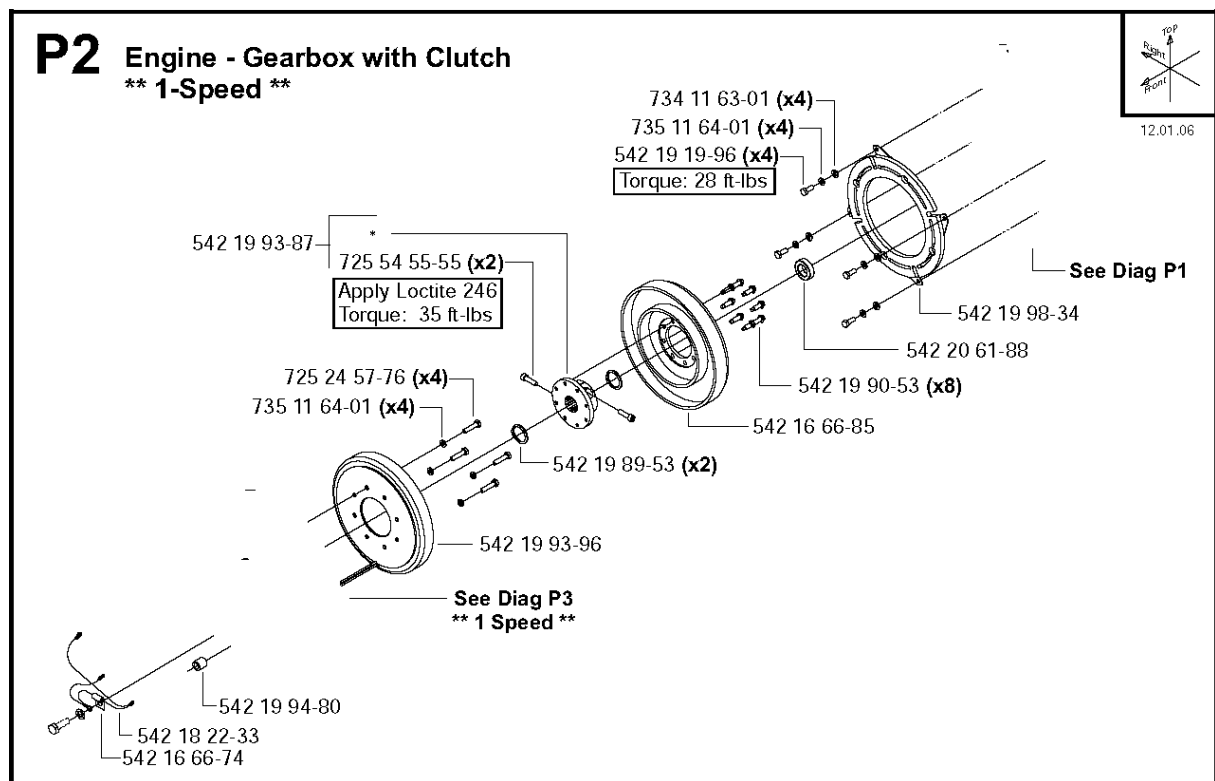
505 44 41-01

- 542 20 61-90
  - 539 99 00-71 (x2)
  - 539 99 00-52 (x2)
  - 735 11 64-01 (x2)
  - 725 24 51-71 (x2)
  - 542 16 64-48
  - 542 16 64-49
- (See Diag U1)



See Diag:  
**P3 \*\* 1-Speed \*\***  
**P4 \*\* 3-Speed \*\***

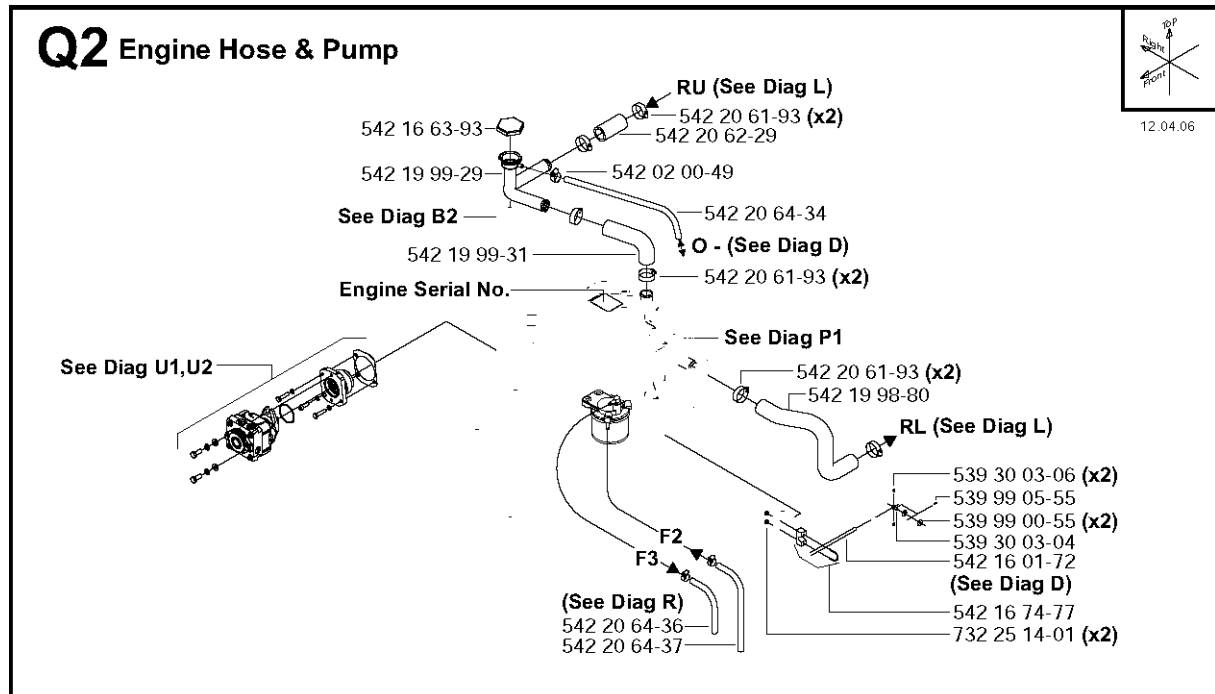
| Ref       | Part No      | Description                   | Remark | QTY KIT |
|-----------|--------------|-------------------------------|--------|---------|
| 542166449 | 542 16 64-49 | FS1200T FILTER HYDRAULI./     |        | 1       |
| 542199840 | 542 19 98-40 | COUPLING                      |        | 1       |
| 542206188 | 542 20 61-88 | BEARING                       |        | 1       |
| 542206190 | 542 20 61-90 | BRACKET                       |        | 1       |
| 725245171 | 725 24 51-71 | SCREW EHHM                    |        | 1       |
| 735116401 | 735 11 64-01 | SPRING WASHER                 |        | 1       |
| 539990052 | 539 99 00-52 | WASHER                        |        | 1       |
| 539990071 | 539 99 00-71 | HCS ¼-20 X ½ GR 5 ZD          |        | 1       |
| 504875503 | 504 87 55-03 | BRACKET                       |        | 1       |
| 505411801 | 505 41 18-01 | RELAY                         |        | 1       |
| 504875501 | 504 87 55-01 | BRACKET                       |        | 1       |
| 542166448 | 542 16 64-48 | FILTER                        |        | 1       |
| 542206127 | 542 20 61-27 | SENDER. WATER TEMP FS4800D    |        | 1       |
| 542206249 | 542 20 62-49 | SEAL RING. BRASS M16          |        | 1       |
| 542199958 | 542 19 99-58 | SPROCKET. 30 TOOTH. BLACK     |        | 1       |
| 542173006 | 542 17 30-06 | STAR WASHER EXTERNAL M10      |        | 1       |
| 542173005 | 542 17 30-05 | HHCS. M10-1.5 X 16 DIN933     |        | 1       |
| 542206248 | 542 20 62-48 | SPACER                        |        | 1       |
| 542206247 | 542 20 62-47 | FAN 410MM                     |        | 1       |
| 734115201 | 734 11 52-01 | WASHER                        |        | 1       |
| 725237071 | 725 23 70-71 | SCREW EHHM                    |        | 1       |
| 542205152 | 542 20 51-52 | EXHAUST CONNECTION. BLACK     |        | 1       |
| 735116401 | 735 11 64-01 | SPRING WASHER                 |        | 1       |
| 731231801 | 731 23 18-01 | HEXAGON NUT                   |        | 1       |
| 542205143 | 542 20 51-43 | BRACKET                       |        | 1       |
| 735115301 | 735 11 53-01 | WASHER                        |        | 1       |
| 542205120 | 542 20 51-20 | SPEED SENSOR FS4800D          |        | 1       |
| 734115201 | 734 11 52-01 | WASHER                        |        | 1       |
| 725237071 | 725 23 70-71 | SCREW EHHM                    |        | 1       |
| 725236871 | 725 23 68-71 | SCREW EHHM                    |        | 1       |
| 542183530 | 542 18 35-30 | WINKELSTUECK                  |        | 1       |
| 542191316 | 542 19 13-16 | HOSE                          |        | 1       |
| 542166907 | 542 16 69-07 | VALVE                         |        | 1       |
| 542206432 | 542 20 64-32 | OIL DRAIN - COMPL             |        | 1       |
| 735115301 | 735 11 53-01 | WASHER                        |        | 1       |
| 735116401 | 735 11 64-01 | SPRING WASHER                 |        | 1       |
| 542191996 | 542 19 19-96 | HHCS. M8-1.25 X 20. 10.9      |        | 1       |
| 505444101 | 505 44 41-01 | ENGINE                        |        | 1       |
| 542206360 | 542 20 63-60 | FUEL FILTER                   |        | 1       |
| 542206361 | 542 20 63-61 | BELT                          |        | 1       |
| 542206362 | 542 20 63-62 | THERMOSTAT                    |        | 1       |
| 542206363 | 542 20 63-63 | THERM GASKET                  |        | 1       |
| 542206365 | 542 20 63-65 | ALTERNATOR                    |        | 1       |
| 542206366 | 542 20 63-66 | OIL PRESS SWITCH              |        | 1       |
| 542206364 | 542 20 63-64 | STARTER                       |        | 1       |
| 542206369 | 542 20 63-69 | OIL FILTER                    |        | 1       |
| 542206371 | 542 20 63-71 | HEATER. AIR INTAKE            |        | 1       |
| 542205117 | 542 20 51-17 | FUEL PUMP                     |        | 1       |
| 542205118 | 542 20 51-18 | FUEL SEPARATOR FS4800D        |        | 1       |
| 735116401 | 735 11 64-01 | SPRING WASHER                 |        | 1       |
| 725244771 | 725 24 47-71 | SCREW EHHM                    |        | 1       |
| 504411501 | 505 41 15-01 | PRINTED CIRCUIT BOARD         |        | 1       |
| 542020587 | 542 02 05-87 | HWHSTS, #10-24 X 3/8/TYP F SL |        | 1       |
| 504836601 | 504 83 66-01 | WIRE                          |        | 1       |
| 504611002 | 504 61 10-02 | INSTRUCTION                   |        | 1       |



## Engine - Gearbox with Clutch, 1-Speed

FS4800, 2008-01

| Part No      | Description                    | Remark | QTY KIT |
|--------------|--------------------------------|--------|---------|
| 542 16 66-74 | CLAMP, VINYL COATED/3/8 X 3/8  |        | 1       |
| 542 16 66-85 | ROTOR                          |        | 1       |
| 542 18 22-33 | DIODE ASSY, CLUTCH/FS 6600D -  |        | 1       |
| 542 19 19-96 | HHCS. M8-1.25 X 20. 10.9       |        | 1       |
| 542 19 89-53 | RING                           |        | 1       |
| 542 19 90-53 | HWH BODY BOLT W/DOG/PT M8-1.25 |        | 1       |
| 542 19 93-87 | KUPPLUNGSNABENANTRIEB          |        | 1       |
| 542 19 93-96 | FIELD COIL ASSY WARNER/FS 6600 |        | 1       |
| 542 19 94-80 | BUCHSE 1/2"ID X3/4"OD X3/4"    |        | 1       |
| 542 19 98-34 | ARMATURE                       |        | 1       |
| 542 20 61-88 | BEARING                        |        | 1       |
| 725 24 57-76 | SCREW EHHM                     |        | 1       |
| 725 54 55-55 | SCREW IHSCM                    |        | 1       |
| 734 11 63-01 | WASHER                         |        | 1       |
| 735 11 64-01 | SPRING WASHER                  |        | 1       |
| 735 11 64-01 | SPRING WASHER                  |        | 1       |

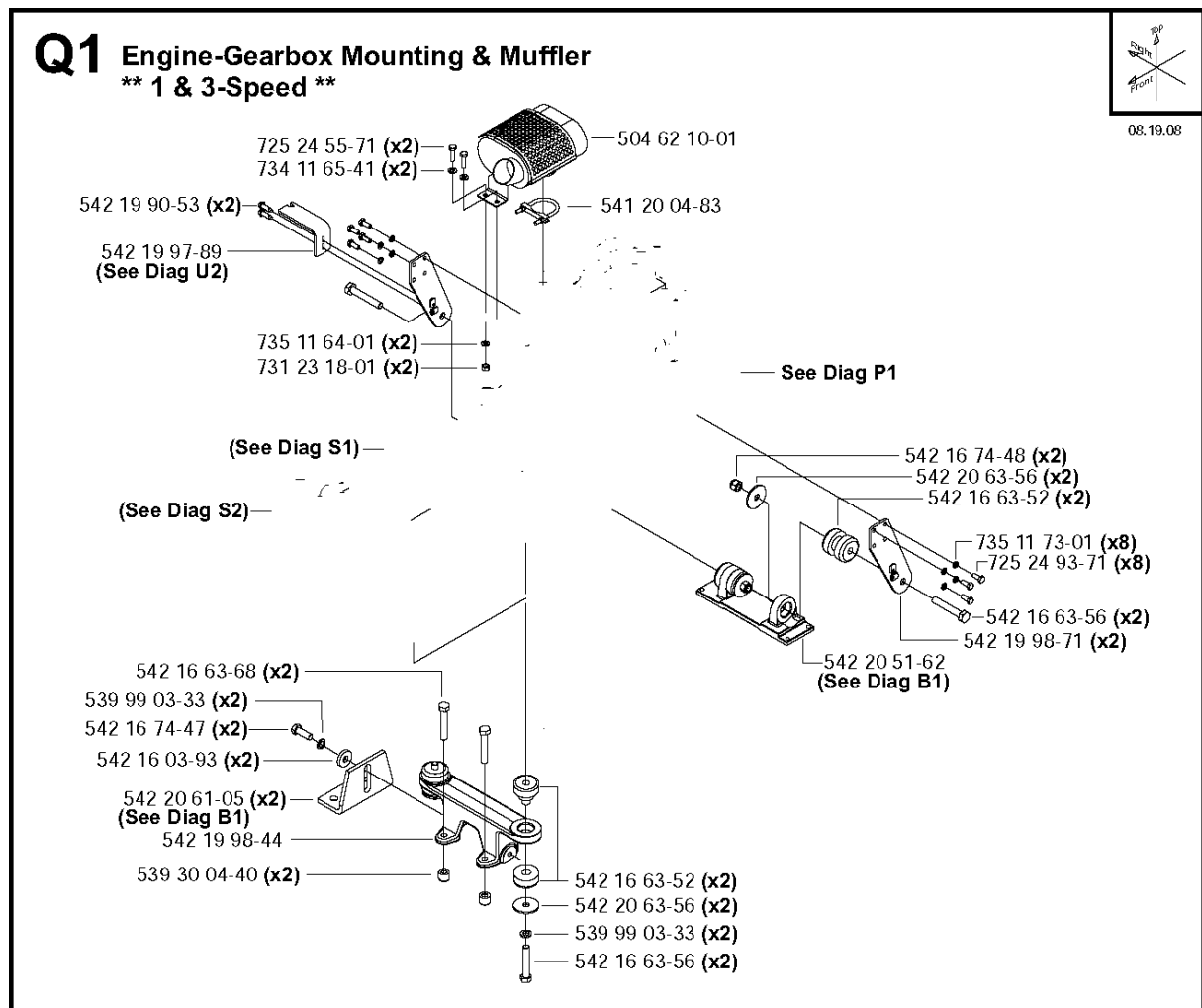




## Engine Hose &amp; Pump

FS4800, 2008-01

| Part No      | Description                    | Remark | QTY KIT |
|--------------|--------------------------------|--------|---------|
| 539 30 03-04 | PIVOT,PIN#161-091-000 VLD SWIV |        | 1       |
| 539 30 03-06 | NLA SCR SCKT HD ST10F X1/4 RPS |        | 1       |
| 539 99 00-55 | WASHER 1/4 SAE                 |        | 1       |
| 539 99 05-55 | COTTER PIN 3/32 X 1/2          |        | 1       |
| 542 02 00-49 | HOSE CLAMP                     |        | 1       |
| 542 16 01-72 | WIRE ACELERATOR MOTOR FS/      |        | 1       |
| 542 16 63-93 | CAP                            |        | 1       |
| 542 16 74-77 | CLAMP. CABLE                   |        | 1       |
| 542 19 98-80 | RADIATOR HOSE. SUCTION SIDE    |        | 1       |
| 542 19 99-29 | RADIATOR FILL TUBE. BLACK      |        | 1       |
| 542 19 99-31 | RADIATOR HOSE. ENGINE OUTLET   |        | 1       |
| 542 20 61-93 | HOSE CLAMP                     |        | 1       |
| 542 20 61-93 | HOSE CLAMP                     |        | 1       |
| 542 20 61-93 | HOSE CLAMP                     |        | 1       |
| 542 20 62-29 | HOSE                           |        | 1       |
| 542 20 64-34 | HOSE                           |        | 1       |
| 542 20 64-36 | HOSE ASSY                      |        | 1       |
| 542 20 64-37 | HOSE                           |        | 1       |
| 732 25 14-01 | HEXAGON LOCKING NUT            |        | 1       |



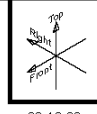
## Engine-Gearbox Mounting &amp; Muffler, 1 &amp; 3-Speed

FS4800, 2008-01

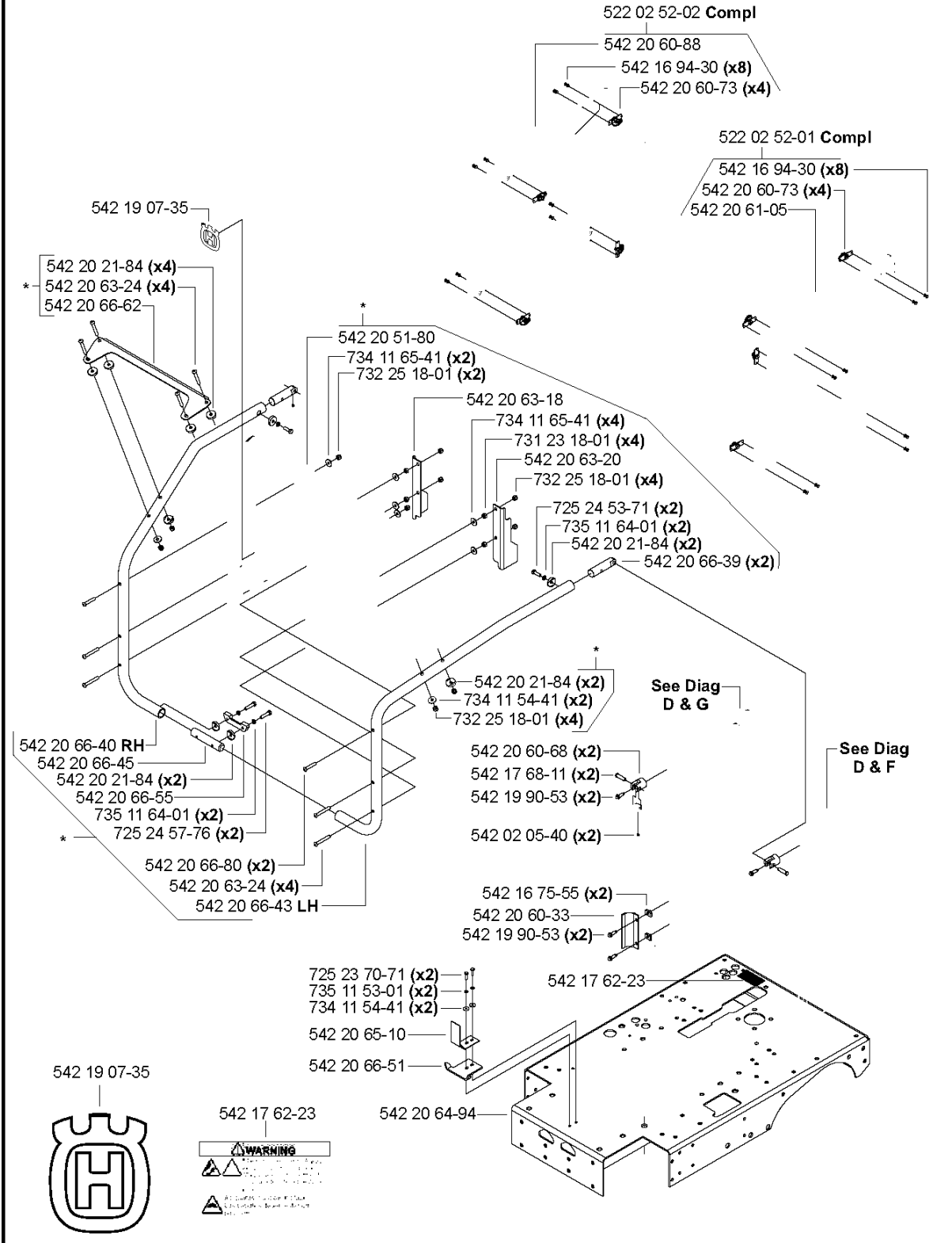
| Part No      | Description                    | Remark | QTY KIT |
|--------------|--------------------------------|--------|---------|
| 504 62 10-01 | MUFFLER                        |        | 1       |
| 539 30 04-40 | NLA CAP,BOLT5/8UHMW NATURAL    |        | 1       |
| 539 99 03-33 | WASHER                         |        | 1       |
| 539 99 03-33 | WASHER                         |        | 1       |
| 541 20 04-83 | KLAMMER                        |        | 1       |
| 542 16 03-93 | FS900T RING/                   |        | 1       |
| 542 16 63-52 | SILENBLOC E/FS1200T PO         |        | 1       |
| 542 16 63-52 | SILENBLOC E/FS1200T PO         |        | 1       |
| 542 16 63-56 | SCREW                          |        | 1       |
| 542 16 63-56 | SCREW                          |        | 1       |
| 542 16 63-68 | SCREW                          |        | 1       |
| 542 16 74-47 | SCREW                          |        | 1       |
| 542 16 74-48 | FS900T NUT/                    |        | 1       |
| 542 19 90-53 | HWH BODY BOLT W/DOG/PT M8-1.25 |        | 1       |
| 542 19 97-89 | BRACKET                        |        | 1       |
| 542 19 98-44 | GEARBOX ISOLATOR BRACKET.BLACK |        | 1       |
| 542 19 98-71 | ENGINE MOUNT. FRONT ARM. BLACK |        | 1       |
| 542 20 51-62 | ENGINE FRONT PIVOT. BLACK      |        | 1       |
| 542 20 61-05 | PAN                            |        | 1       |
| 542 20 63-56 | WASHER                         |        | 1       |
| 542 20 63-56 | WASHER                         |        | 1       |
| 725 24 55-71 | SCREW EHHM                     |        | 1       |
| 725 24 93-71 | SCREW EHHM                     |        | 1       |
| 731 23 18-01 | HEXAGON NUT                    |        | 1       |
| 734 11 65-41 | WASHER                         |        | 1       |
| 735 11 64-01 | SPRING WASHER                  |        | 1       |
| 735 11 73-01 | SPRING WASHER                  |        | 1       |

# A Frame, Nose & Side Panels

\*542 20 66-77 compl



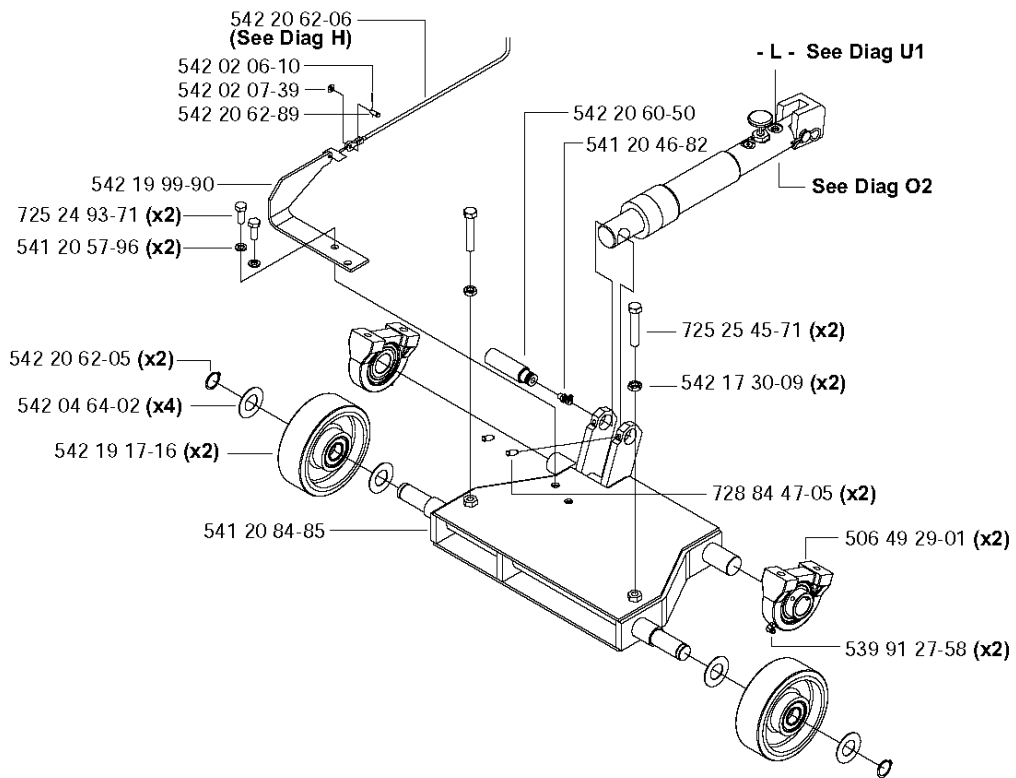
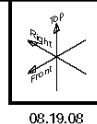
08.19.08



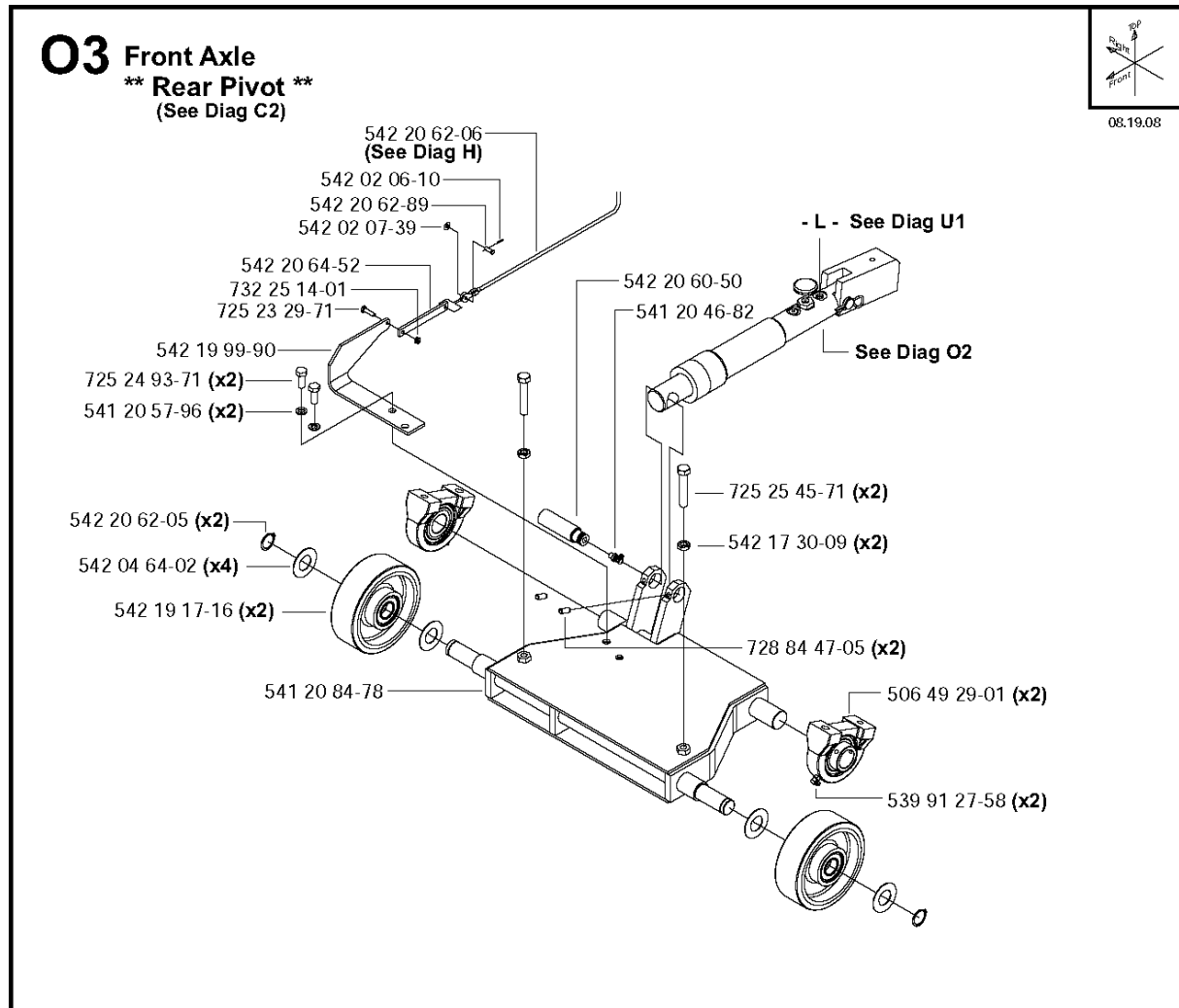
| Part No      | Description                    | Remark | QTY KIT |
|--------------|--------------------------------|--------|---------|
| 522 02 52-01 | PAN                            |        | 1       |
| 522 02 52-02 | PAN                            |        | 1       |
| 542 02 05-40 | POINT SET SCREW/0.25 X 0.25    |        | 1       |
| 542 16 75-55 | NUT                            |        | 1       |
| 542 16 94-30 | RIVET. POP 1/8" X 3/8" ALUM    |        | 1       |
| 542 16 94-30 | RIVET. POP 1/8" X 3/8" ALUM    |        | 1       |
| 542 17 62-23 | DECAL                          |        | 1       |
| 542 17 62-23 | DECAL                          |        | 1       |
| 542 17 68-11 | PIN CLESCREW 3/8"/DIA X 1-3/8  |        | 1       |
| 542 19 07-35 | DECAL                          |        | 1       |
| 542 19 07-35 | DECAL                          |        | 1       |
| 542 19 90-53 | HWH BODY BOLT W/DOG/PT M8-1.25 |        | 1       |
| 542 19 90-53 | HWH BODY BOLT W/DOG/PT M8-1.25 |        | 1       |
| 542 20 21-84 | WASHER                         |        | 1       |
| 542 20 21-84 | WASHER                         |        | 1       |
| 542 20 21-84 | WASHER                         |        | 1       |
| 542 20 21-84 | WASHER                         |        | 1       |
| 542 20 51-80 | NOSE PIECE. HUSQVARNA ORANGE   |        | 1       |
| 542 20 60-33 | BRACKET. SIDE SHIELD MNT.BLACK |        | 1       |
| 542 20 60-68 | HINGE                          |        | 1       |
| 542 20 60-73 | LATCH                          |        | 1       |
| 542 20 60-73 | LATCH                          |        | 1       |
| 542 20 60-88 | PAN                            |        | 1       |
| 542 20 61-05 | PAN                            |        | 1       |
| 542 20 63-18 | SHIELD.BELT RH.LOWER INNER.BLK |        | 1       |
| 542 20 63-20 | SHIELD.BELT LH.LOWER INNER.BLK |        | 1       |
| 542 20 63-24 | SBHCS M8 X 1.25 X 60MM. Z/P    |        | 1       |
| 542 20 63-24 | SBHCS M8 X 1.25 X 60MM. Z/P    |        | 1       |
| 542 20 64-94 | FRAME                          |        | 1       |
| 542 20 65-10 | LATCH. HOOD SPRING Z/P         |        | 1       |
| 542 20 66-39 | HINGE                          |        | 1       |
| 542 20 66-40 | HINGE                          |        | 1       |
| 542 20 66-43 | TUBE                           |        | 1       |
| 542 20 66-45 | PEN                            |        | 1       |
| 542 20 66-51 | CRADLE. LATCH. BLACK           |        | 1       |
| 542 20 66-55 | LATCH. HOOD. Z/P               |        | 1       |
| 542 20 66-62 | BRACE. CROSS TUBE PC SILVADILO |        | 1       |
| 542 20 66-77 | TUBE AND HOOD - COMPL          |        | 1       |
| 542 20 66-80 | LATCH. SIDE SHIELD RH. BLACK   |        | 1       |
| 725 23 70-71 | SCREW EHHM                     |        | 1       |
| 725 24 53-71 | SCREW EHHM                     |        | 1       |
| 725 24 57-76 | SCREW EHHM                     |        | 1       |
| 731 23 18-01 | HEXAGON NUT                    |        | 1       |
| 732 25 18-01 | HEXAGON LOCKING NUT            |        | 1       |
| 732 25 18-01 | HEXAGON LOCKING NUT            |        | 1       |
| 732 25 18-01 | HEXAGON LOCKING NUT            |        | 1       |
| 734 11 54-41 | WASHER                         |        | 1       |
| 734 11 54-41 | WASHER                         |        | 1       |
| 734 11 65-41 | WASHER                         |        | 1       |
| 734 11 65-41 | WASHER                         |        | 1       |
| 735 11 53-01 | WASHER                         |        | 1       |
| 735 11 64-01 | SPRING WASHER                  |        | 1       |
| 735 11 64-01 | SPRING WASHER                  |        | 1       |

# O1 Front Axle

**\*\* Front Pivot \*\***  
(See Diag C1)



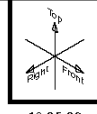
| Part No      | Description                    | Remark | QTY KIT |
|--------------|--------------------------------|--------|---------|
| 506 49 29-01 | BEARING                        |        | 1       |
| 539 91 27-58 | NIPPLE                         |        | 1       |
| 541 20 46-82 | GREASE                         |        | 1       |
| 541 20 57-96 | WASHER. LOCK M10 DIN 127       |        | 1       |
| 541 20 84-85 | AXLE.FRNT FS48.FP PC HUSQ-GREY |        | 1       |
| 542 02 06-10 | PEN                            |        | 1       |
| 542 02 07-39 | WASHER                         |        | 1       |
| 542 04 64-02 | WASHER                         |        | 1       |
| 542 17 30-09 | DISTANZRING                    |        | 1       |
| 542 19 17-16 | WHEEL                          |        | 1       |
| 542 19 99-90 | DEPTH INDICATOR ARM.AXLE.BLACK |        | 1       |
| 542 20 60-50 | PEN                            |        | 1       |
| 542 20 62-05 | SNAP RING                      |        | 1       |
| 542 20 62-06 | CABLE                          |        | 1       |
| 542 20 62-89 | PEN                            |        | 1       |
| 725 24 93-71 | SCREW EHHM                     |        | 1       |
| 725 25 45-71 | SCREW EHHM                     |        | 1       |
| 728 84 47-05 | SCREW IHSETM                   |        | 1       |



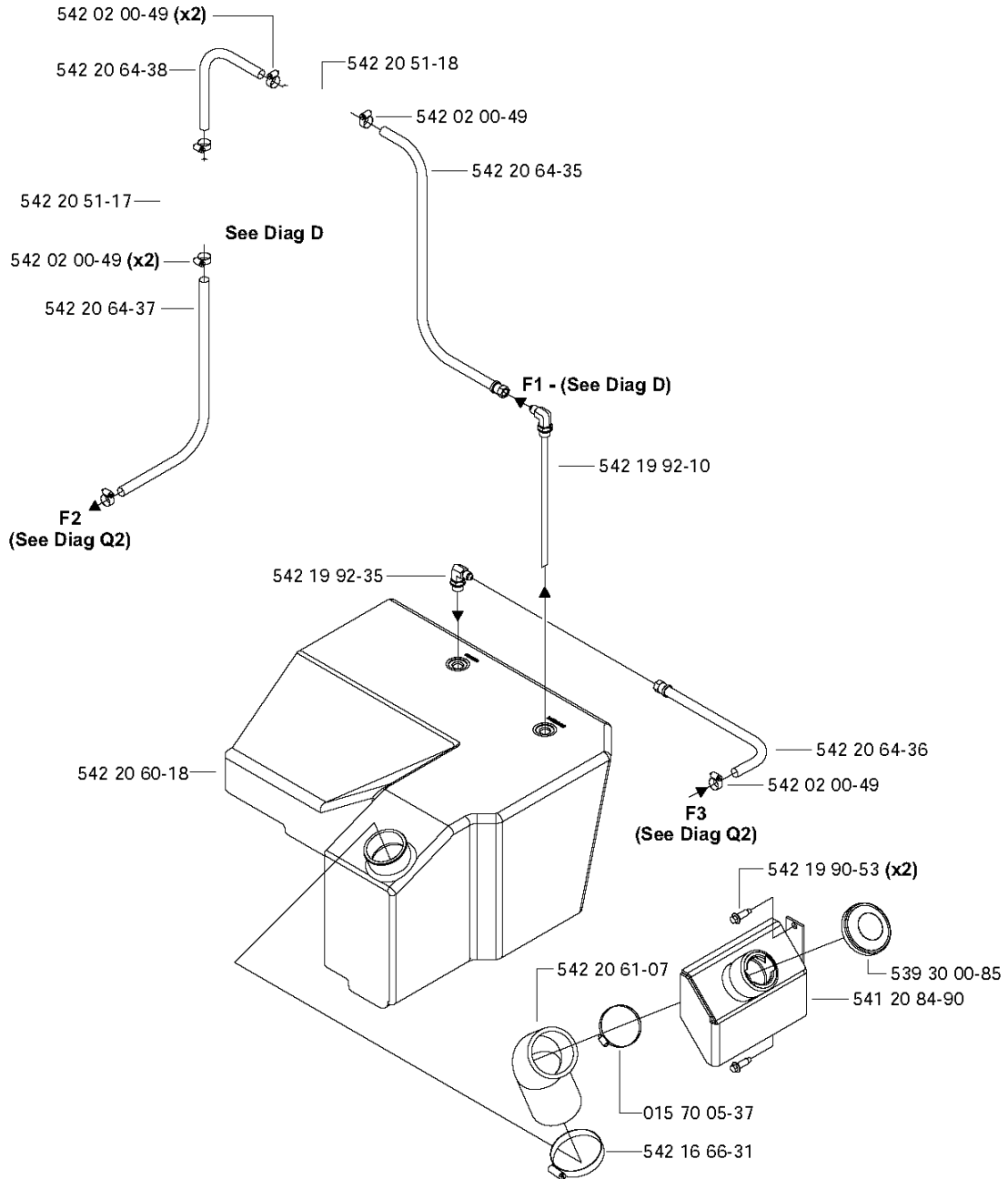


| Part No      | Description                    | Remark | QTY KIT |
|--------------|--------------------------------|--------|---------|
| 506 49 29-01 | BEARING                        |        | 1       |
| 539 91 27-58 | NIPPLE                         |        | 1       |
| 541 20 46-82 | GREASE                         |        | 1       |
| 541 20 57-96 | WASHER. LOCK M10 DIN 127       |        | 1       |
| 541 20 84-78 | FRNT AXLE.REAR PIVOT.PC H-GRY  |        | 1       |
| 542 02 06-10 | PEN                            |        | 1       |
| 542 02 07-39 | WASHER                         |        | 1       |
| 542 04 64-02 | WASHER                         |        | 1       |
| 542 17 30-09 | DISTANZRING                    |        | 1       |
| 542 19 17-16 | WHEEL                          |        | 1       |
| 542 19 99-90 | DEPTH INDICATOR ARM.AXLE.BLACK |        | 1       |
| 542 20 60-50 | PEN                            |        | 1       |
| 542 20 62-05 | SNAP RING                      |        | 1       |
| 542 20 62-06 | CABLE                          |        | 1       |
| 542 20 62-89 | PEN                            |        | 1       |
| 542 20 64-52 | LINK. DEPTH INDICATOR          |        | 1       |
| 725 23 29-71 | SCREW EHHM                     |        | 1       |
| 725 24 93-71 | SCREW EHHM                     |        | 1       |
| 725 25 45-71 | SCREW EHHM                     |        | 1       |
| 728 84 47-05 | SCREW IHSETM                   |        | 1       |
| 732 25 14-01 | HEXAGON LOCKING NUT            |        | 1       |

# R Fuel Tank



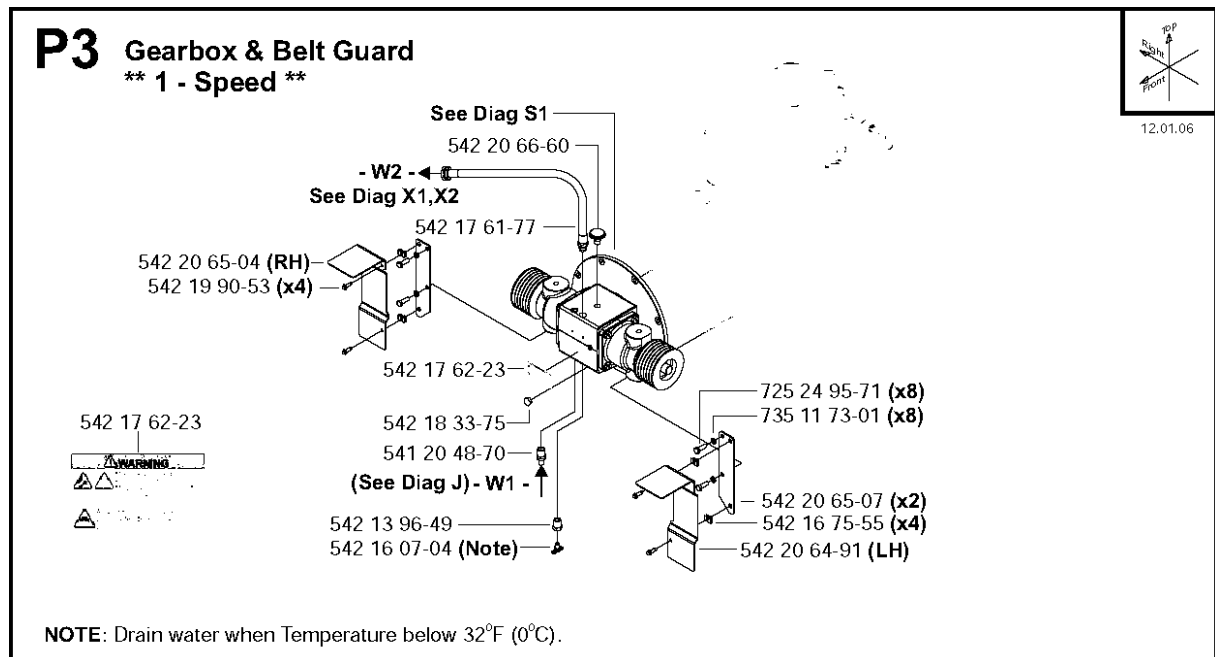
12.05.06



## Fuel Tank

FS4800, 2008-01

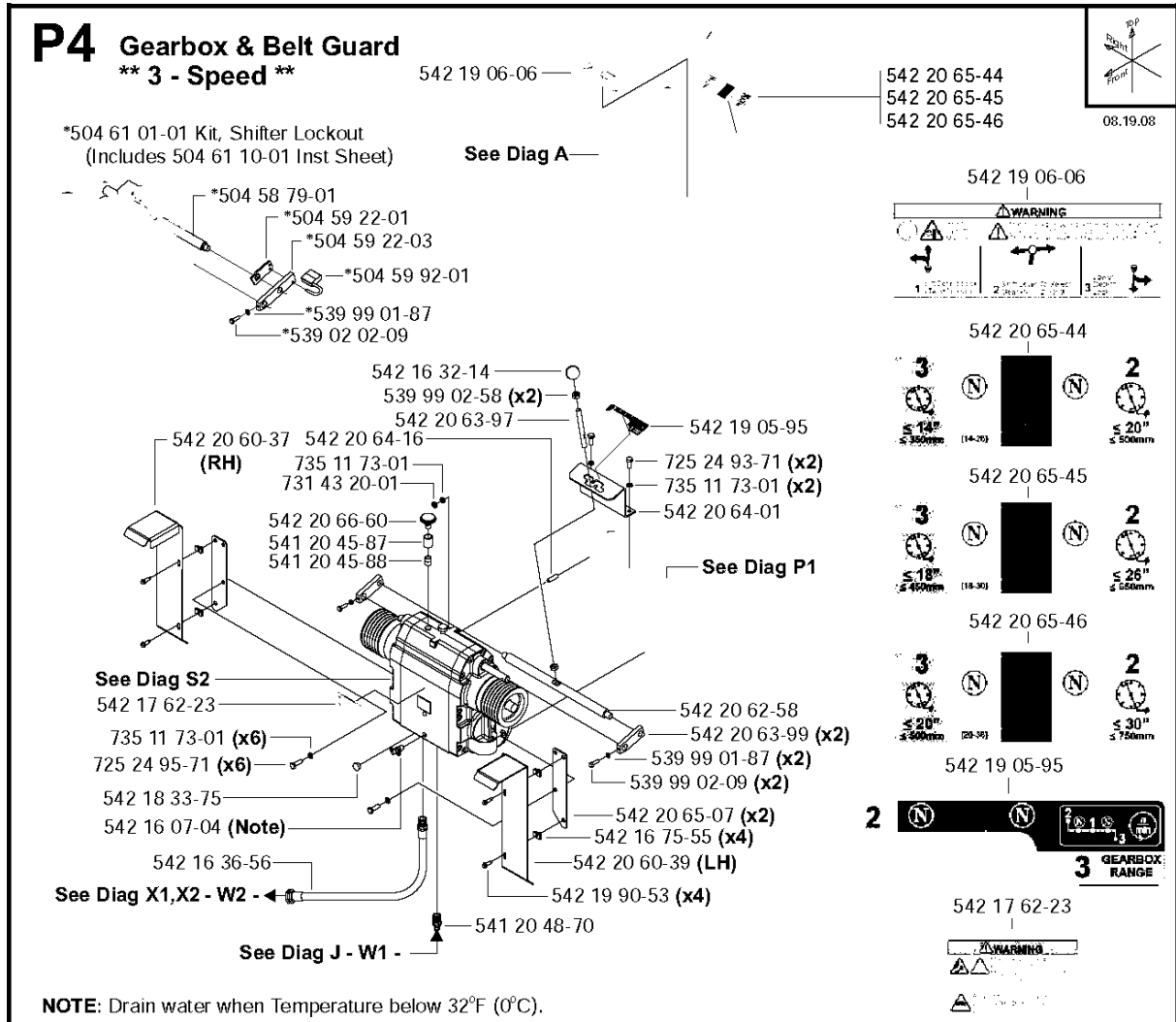
| Part No      | Description                    | Remark | QTY KIT |
|--------------|--------------------------------|--------|---------|
| 539 30 00-85 | CAP, FUEL TANK #AIO-3977K      |        | 1       |
| 541 20 84-90 | FUEL NECK W/LDMNT. PAINT H-GRY |        | 1       |
| 542 02 00-49 | HOSE CLAMP                     |        | 1       |
| 542 02 00-49 | HOSE CLAMP                     |        | 1       |
| 542 02 00-49 | HOSE CLAMP                     |        | 1       |
| 542 02 00-49 | HOSE CLAMP                     |        | 1       |
| 542 16 66-31 | HOSE CLAMP                     |        | 1       |
| 542 19 90-53 | HWH BODY BOLT W/DOG/PT M8-1.25 |        | 1       |
| 542 19 92-10 | ROHR                           |        | 1       |
| 542 19 92-35 | VERBINDUNG 5JIC X 6SAE         |        | 1       |
| 542 20 51-17 | FUEL PUMP                      |        | 1       |
| 542 20 51-18 | FUEL SEPARATOR FS4800D         |        | 1       |
| 542 20 60-18 | FUEL TANK                      |        | 1       |
| 542 20 61-07 | HOSE                           |        | 1       |
| 542 20 64-35 | HOSE ASSY                      |        | 1       |
| 542 20 64-36 | HOSE ASSY                      |        | 1       |
| 542 20 64-37 | HOSE                           |        | 1       |
| 542 20 64-38 | HOSE                           |        | 1       |



## Gearbox &amp; Belt Guard, 1 - Speed

FS4800, 2008-01

| Part No      | Description                    | Remark | QTY KIT |
|--------------|--------------------------------|--------|---------|
| 541 20 48-70 | MUFFE 12"H X1/2 MPT            |        | 1       |
| 542 13 96-49 | ADAPTER                        |        | 1       |
| 542 16 07-04 | HAHN 1/4"NPT                   |        | 1       |
| 542 16 75-55 | NUT                            |        | 1       |
| 542 17 61-77 | WATER HOSE ASSY/               |        | 1       |
| 542 17 62-23 | DECAL                          |        | 1       |
| 542 17 62-23 | DECAL                          |        | 1       |
| 542 18 33-75 | HOLE. PLUG: 3/4"               |        | 1       |
| 542 19 90-53 | HWH BODY BOLT W/DOG/PT M8-1.25 |        | 1       |
| 542 20 64-91 | GUARD BELT. INNER LH. BLACK    |        | 1       |
| 542 20 65-04 | GUARD BELT. INNER RH. BLACK    |        | 1       |
| 542 20 65-07 | BRACKET                        |        | 1       |
| 542 20 66-60 | BREATHER                       |        | 1       |
| 725 24 95-71 | SCREW EHHM                     |        | 1       |
| 735 11 73-01 | SPRING WASHER                  |        | 1       |

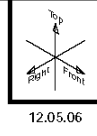


**NOTE:** Drain water when Temperature below 32°F (0°C).

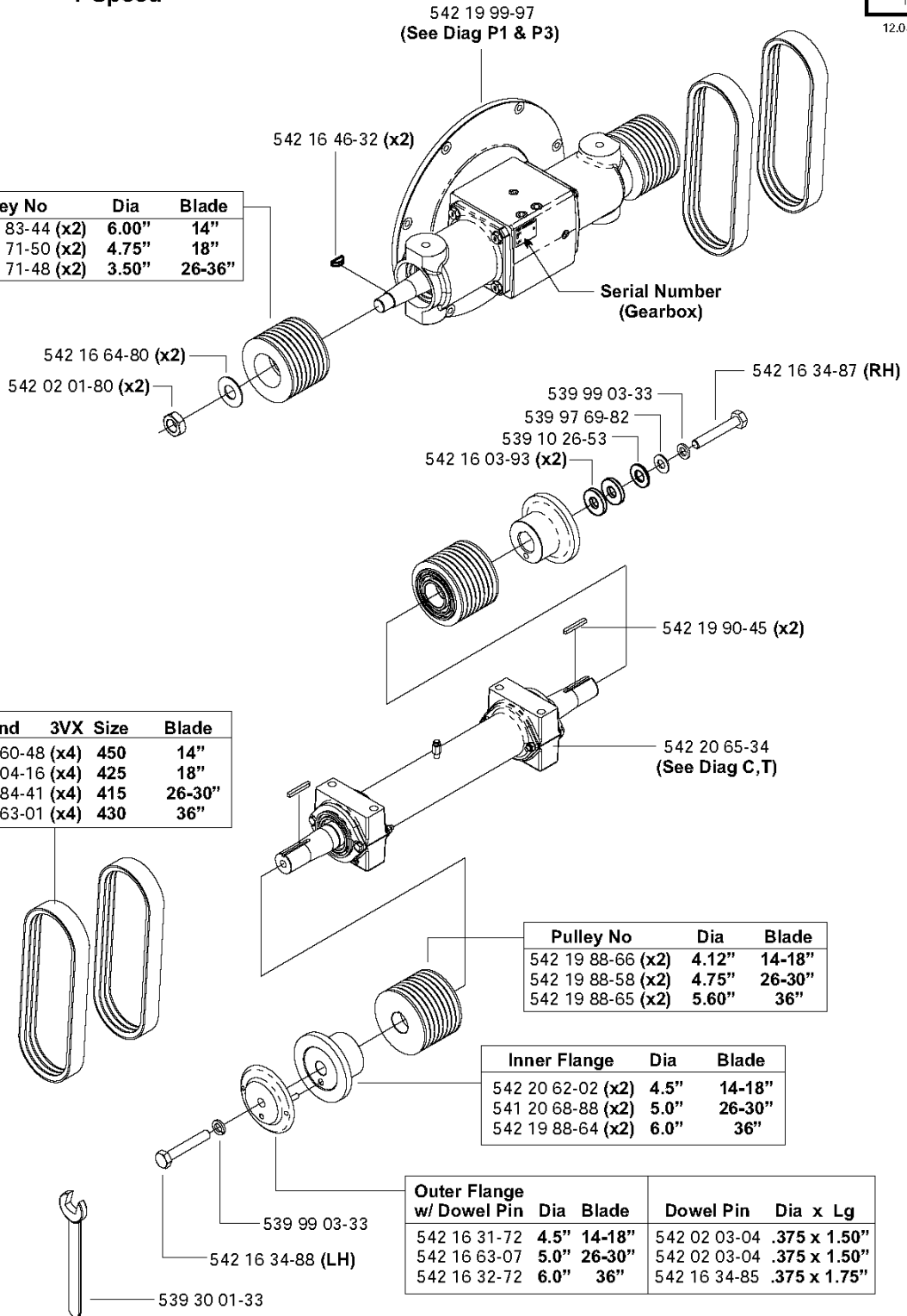
| Part No      | Description                    | Remark | QTY KIT |
|--------------|--------------------------------|--------|---------|
| 504 58 79-01 | ROD                            |        | 1       |
| 504 59 22-01 | ARM                            |        | 1       |
| 504 59 22-03 | ARM                            |        | 1       |
| 504 59 92-01 | LOCK                           |        | 1       |
| 504 61 01-01 | KIT                            |        | 1       |
| 504 61 10-01 | INSTRUCTION                    |        | 1       |
| 539 02 02-09 | KIT, TOGGLE SWITCH, S G        |        | 1       |
| 539 99 01-87 | WASHER                         |        | 1       |
| 539 99 01-87 | WASHER                         |        | 1       |
| 539 99 02-09 | SCREW                          |        | 1       |
| 539 99 02-58 | NUT                            |        | 1       |
| 541 20 45-87 | PIPE FIT. CLOSE NIPPLE. 3/8    |        | 1       |
| 541 20 45-88 | VERBINDUNGSSTUECK              |        | 1       |
| 541 20 48-70 | MUFFE 12"H X1/2 MPT            |        | 1       |
| 542 16 07-04 | HAHN 1/4"NPT                   |        | 1       |
| 542 16 32-14 | BOULE/                         |        | 1       |
| 542 16 36-56 | FS902T HOSE ASSY./             |        | 1       |
| 542 16 75-55 | NUT                            |        | 1       |
| 542 17 62-23 | DECAL                          |        | 1       |
| 542 17 62-23 | DECAL                          |        | 1       |
| 542 18 33-75 | HOLE. PLUG: 3/4"               |        | 1       |
| 542 19 05-95 | DECAL                          |        | 1       |
| 542 19 05-95 | DECAL                          |        | 1       |
| 542 19 06-06 | DECAL                          |        | 1       |
| 542 19 06-06 | DECAL                          |        | 1       |
| 542 19 90-53 | HWH BODY BOLT W/DOG/PT M8-1.25 |        | 1       |
| 542 20 60-37 | BELT GUARD                     |        | 1       |
| 542 20 60-39 | BELT GUARD                     |        | 1       |
| 542 20 62-58 | SHIFT ROD. LONG. Z/P           |        | 1       |
| 542 20 63-97 | HANDLE                         |        | 1       |
| 542 20 63-99 | ARM                            |        | 1       |
| 542 20 64-01 | SHIFT PLATE. Z-PATTERN. BLACK  |        | 1       |
| 542 20 64-16 | STUD. M10 X 25MM               |        | 1       |
| 542 20 65-07 | BRACKET                        |        | 1       |
| 542 20 65-44 | DECAL                          |        | 1       |
| 542 20 65-44 | DECAL                          |        | 1       |
| 542 20 65-45 | DECAL                          |        | 1       |
| 542 20 65-46 | DECAL                          |        | 1       |
| 542 20 66-60 | BREATHER                       |        | 1       |
| 54220654     | TBD                            |        | 1       |
| 54220654     | TBD                            |        | 1       |
| 725 24 93-71 | SCREW EHHM                     |        | 1       |
| 725 24 95-71 | SCREW EHHM                     |        | 1       |
| 731 43 20-01 | HEXAGON THIN NUT               |        | 1       |
| 735 11 73-01 | SPRING WASHER                  |        | 1       |
| 735 11 73-01 | SPRING WASHER                  |        | 1       |
| 735 11 73-01 | SPRING WASHER                  |        | 1       |

# S1 Gearbox-Blade Shaft

**\*\* 1-Speed \*\***



| Pulley No         | Dia   | Blade  |
|-------------------|-------|--------|
| 541 20 83-44 (x2) | 6.00" | 14"    |
| 541 20 71-50 (x2) | 4.75" | 18"    |
| 541 20 71-48 (x2) | 3.50" | 26-36" |



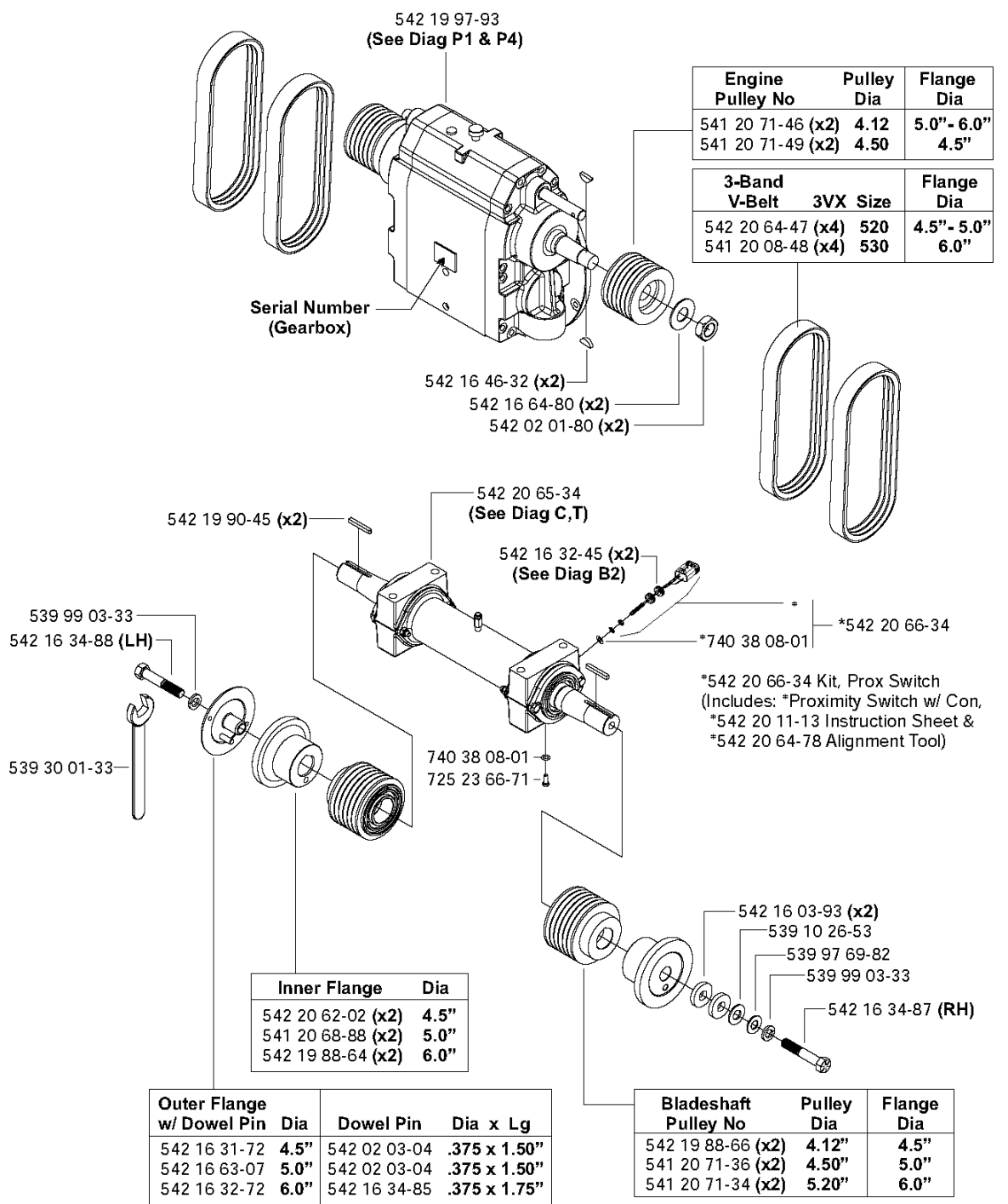
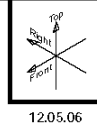
541 20 71-00 Sheave Puller Kit (Optional)



| Part No      | Description                    | Remark | QTY KIT |
|--------------|--------------------------------|--------|---------|
| 539 10 26-53 | WASHER                         |        | 1       |
| 539 30 01-33 | WRENCH, BLADESHAFT, 15/16"     |        | 1       |
| 539 97 69-82 | WASHER                         |        | 1       |
| 539 99 03-33 | WASHER                         |        | 1       |
| 539 99 03-33 | WASHER                         |        | 1       |
| 541 20 68-88 | FLANGE                         |        | 1       |
| 541 20 71-00 | KIT, SHEAVE PULLER, CPL LARGE  |        | 1       |
| 541 20 71-48 | PULLEY                         |        | 1       |
| 541 20 71-50 | PULLEY. ENGINE. 4.75" TPR 6 GR |        | 1       |
| 541 20 83-44 | PULLEY. ENGINE.6" TAPERED 6 GR |        | 1       |
| 542 02 01-80 | FS1200T NUT - JAM 1"-14"       |        | 1       |
| 542 02 03-04 | FS900T GOUPILLE/PIN            |        | 1       |
| 542 02 03-04 | FS900T GOUPILLE/PIN            |        | 1       |
| 542 16 03-93 | FS900T RING/                   |        | 1       |
| 542 16 31-72 | COLLAR                         |        | 1       |
| 542 16 32-72 | OUTER COLLAR W/DOWEL/PIN 6" Q  |        | 1       |
| 542 16 34-85 | PIN DOWEL.375X1.75             |        | 1       |
| 542 16 34-87 | CAPSCREW,5/8"-11X3 1/2"/RHTR   |        | 1       |
| 542 16 34-88 | SCREW                          |        | 1       |
| 542 16 46-32 | FS1200T KEY - WOODRUFF/        |        | 1       |
| 542 16 63-07 | OUTER FLANGE - MOD 14/26/& 18/ |        | 1       |
| 542 16 64-80 | WASHER                         |        | 1       |
| 542 18 60-48 | V-BELT                         |        | 1       |
| 542 19 04-16 | V-BELT                         |        | 1       |
| 542 19 84-41 | V-BELT                         |        | 1       |
| 542 19 88-58 | PULLEY                         |        | 1       |
| 542 19 88-64 | FLANGE                         |        | 1       |
| 542 19 88-65 | PULLEY                         |        | 1       |
| 542 19 88-66 | RIEMENSCHIEBE 4,12" 18"        |        | 1       |
| 542 19 90-45 | KEY                            |        | 1       |
| 542 19 99-97 | RIGHT ANGLE GEARBOX.SAE 5.BLCK |        | 1       |
| 542 20 62-02 | FLANGE INNER 4.5" B/O FS 4800D |        | 1       |
| 542 20 63-01 | V-BELT                         |        | 1       |
| 542 20 65-34 | ASSY. BLADESHAFT FS48. L/PL FL |        | 1       |
| 54219886     | TBD                            |        | 1       |

# S2 Gearbox-Blade Shaft

**\*\* 3 - Speed \*\***



| Engine Pulley No  | Pulley Dia | Flange Dia |
|-------------------|------------|------------|
| 541 20 71-46 (x2) | 4.12       | 5.0"- 6.0" |
| 541 20 71-49 (x2) | 4.50       | 4.5"       |

| 3-Band V-Belt     | 3VX Size | Flange Dia |
|-------------------|----------|------------|
| 542 20 64-47 (x4) | 520      | 4.5"- 5.0" |
| 541 20 08-48 (x4) | 530      | 6.0"       |

| Inner Flange      | Dia  |
|-------------------|------|
| 542 20 62-02 (x2) | 4.5" |
| 541 20 68-88 (x2) | 5.0" |
| 542 19 88-64 (x2) | 6.0" |

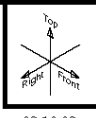
| Outer Flange w/ Dowel Pin | Dia  | Dowel Pin    | Dia x Lg     |
|---------------------------|------|--------------|--------------|
| 542 16 31-72              | 4.5" | 542 02 03-04 | .375 x 1.50" |
| 542 16 63-07              | 5.0" | 542 02 03-04 | .375 x 1.50" |
| 542 16 32-72              | 6.0" | 542 16 34-85 | .375 x 1.75" |

| Bladeshaft Pulley No | Pulley Dia | Flange Dia |
|----------------------|------------|------------|
| 542 19 88-66 (x2)    | 4.12"      | 4.5"       |
| 541 20 71-36 (x2)    | 4.50"      | 5.0"       |
| 541 20 71-34 (x2)    | 5.20"      | 6.0"       |

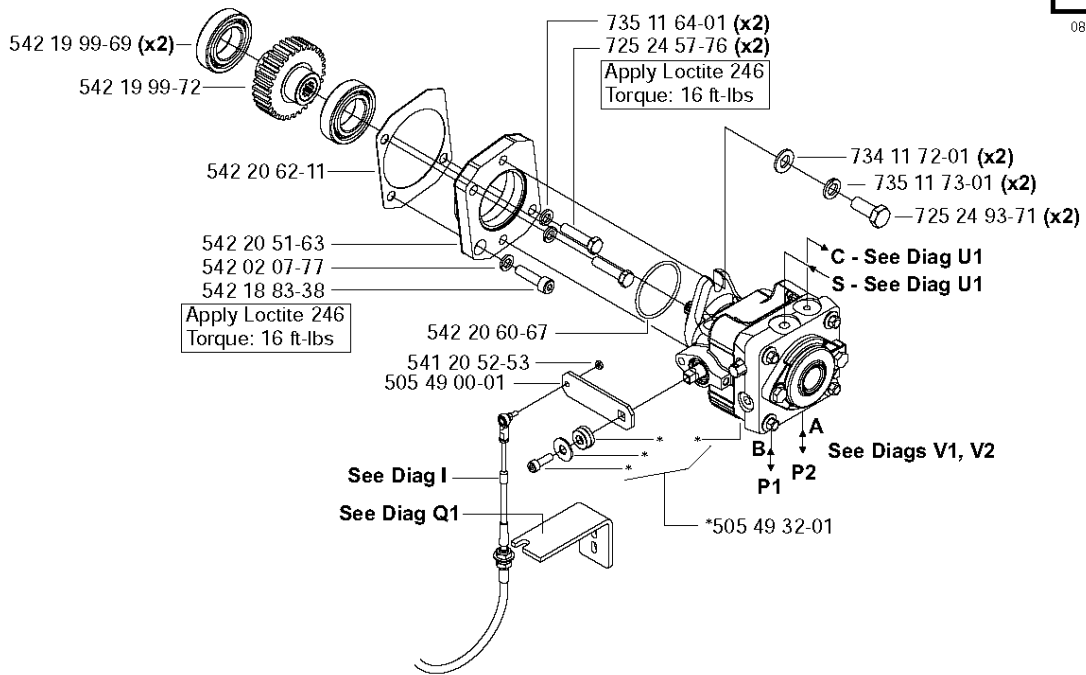
541 20 71-00 Kit, Sheave Puller (Optional)

| Part No      | Description                    | Remark | QTY KIT |
|--------------|--------------------------------|--------|---------|
| 539 10 26-53 | WASHER                         |        | 1       |
| 539 30 01-33 | WRENCH, BLADESHAFT, 15/16"     |        | 1       |
| 539 97 69-82 | WASHER                         |        | 1       |
| 539 99 03-33 | WASHER                         |        | 1       |
| 539 99 03-33 | WASHER                         |        | 1       |
| 541 20 08-48 | V-BELT                         |        | 1       |
| 541 20 68-88 | FLANGE                         |        | 1       |
| 541 20 71-00 | KIT, SHEAVE PULLER, CPL LARGE  |        | 1       |
| 541 20 71-34 | PULLEY.BLD SHAFT. 5.2" TPR 6GR |        | 1       |
| 541 20 71-36 | PULLEY.BLD SHAFT. 4.5" TPR 6GR |        | 1       |
| 541 20 71-46 | PULLEY. ENGINE. 4.12" TPR 6 GR |        | 1       |
| 541 20 71-49 | PULLEY. ENGINE. 4.5" TPR 6 GR  |        | 1       |
| 542 02 01-80 | FS1200T NUT - JAM 1"-14/"      |        | 1       |
| 542 02 03-04 | FS900T GOUPILLE/PIN            |        | 1       |
| 542 02 03-04 | FS900T GOUPILLE/PIN            |        | 1       |
| 542 16 03-93 | FS900T RING/                   |        | 1       |
| 542 16 31-72 | COLLAR                         |        | 1       |
| 542 16 32-45 | TUELLE 5/8"                    |        | 1       |
| 542 16 32-72 | OUTER COLLAR W/DOWEL/PIN 6" Q  |        | 1       |
| 542 16 34-85 | PIN DOWEL.375X1.75             |        | 1       |
| 542 16 34-87 | CAPSCREW,5/8"-11X3 1/2"/RHTR   |        | 1       |
| 542 16 34-88 | SCREW                          |        | 1       |
| 542 16 46-32 | FS1200T KEY - WOODRUFF/        |        | 1       |
| 542 16 63-07 | OUTER FLANGE - MOD 14/26/& 18/ |        | 1       |
| 542 16 64-80 | WASHER                         |        | 1       |
| 542 19 88-64 | FLANGE                         |        | 1       |
| 542 19 88-66 | RIEMENSCHIEBE 4,12" 18"        |        | 1       |
| 542 19 90-45 | KEY                            |        | 1       |
| 542 19 97-93 | 3-SPEED RT ANGLE BOX.SAE5.BLCK |        | 1       |
| 542 20 11-13 | INSTR SHEET: PROXIMITY SWITCH  |        | 1       |
| 542 20 62-02 | FLANGE INNER 4.5" B/O FS 4800D |        | 1       |
| 542 20 64-47 | V-BELT                         |        | 1       |
| 542 20 64-78 | TOOL. ALIGNMENT - PROX SWITCH  |        | 1       |
| 542 20 65-34 | ASSY. BLADESHAFT FS48. L/PL FL |        | 1       |
| 542 20 66-34 | KIT. PROXIMITY SWITCH FS4800D  |        | 1       |
| 542 20 66-34 | KIT. PROXIMITY SWITCH FS4800D  |        | 1       |
| 725 23 66-71 | SCREW EHHM                     |        | 1       |
| 740 38 08-01 | SEALING WASHER                 |        | 1       |
| 740 38 08-01 | SEALING WASHER                 |        | 1       |

# U2 Hydraulic Drive Pump Assy See Diag Q2



08.19.08



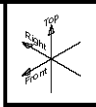
## Hydraulic Drive Pump Assy

FS4800, 2008-01

| Part No      | Description                  | Remark | QTY KIT |
|--------------|------------------------------|--------|---------|
| 505 49 00-01 | ARM                          |        | 1       |
| 505 49 32-01 | PUMP                         |        | 1       |
| 541 20 52-53 | NUT                          |        | 1       |
| 542 02 07-77 | SCHEIBE 5/16                 |        | 1       |
| 542 18 83-38 | SHCS. M8-1.25 X 25           |        | 1       |
| 542 19 99-69 | BEARING                      |        | 1       |
| 542 19 99-72 | GEAR & COUPLER               |        | 1       |
| 542 20 51-63 | AUX DRIVE SAE AA. Z/P OR B/O |        | 1       |
| 542 20 60-67 | O-RING                       |        | 1       |
| 542 20 62-11 | GASKET                       |        | 1       |
| 725 24 57-76 | SCREW EHHM                   |        | 1       |
| 725 24 93-71 | SCREW EHHM                   |        | 1       |
| 734 11 72-01 | WASHER                       |        | 1       |
| 735 11 64-01 | SPRING WASHER                |        | 1       |
| 735 11 73-01 | SPRING WASHER                |        | 1       |

# O2 Hydraulic Lift Cylinder

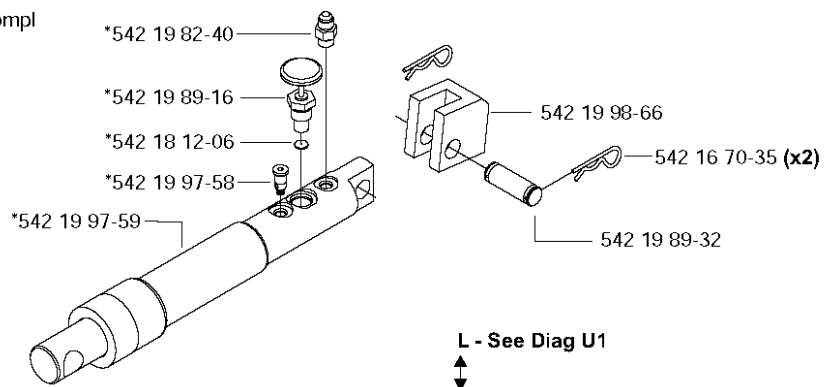
**\*\* Front Pivot \*\***



12.04.06

\* 542 19 97-61 compl

L - See Diag U1



L - See Diag U1



**HYDRAULIC SCHEMATIC**  
(See Operators Manual)

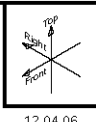
## Hydraulic Lift Cylinder, Front Pivot

FS4800, 2008-01

| Part No      | Description                    | Remark | QTY KIT |
|--------------|--------------------------------|--------|---------|
| 542 16 70-35 | FUSE                           |        | 1       |
| 542 18 12-06 | DRUCKREGLER                    |        | 1       |
| 542 19 82-40 | FITTING                        |        | 1       |
| 542 19 89-16 | NEEDLE VALVE                   |        | 1       |
| 542 19 89-32 | BOLT                           |        | 1       |
| 542 19 97-58 | KONTROLLVENTIL                 |        | 1       |
| 542 19 97-59 | CYLINDER.LIFT.1.5 X 5.5 W/2CAV |        | 1       |
| 542 19 97-61 | CYLINDER ASSY                  |        | 1       |
| 542 19 98-66 | CYLINDER MOUNT BRACKET. BLACK  |        | 1       |

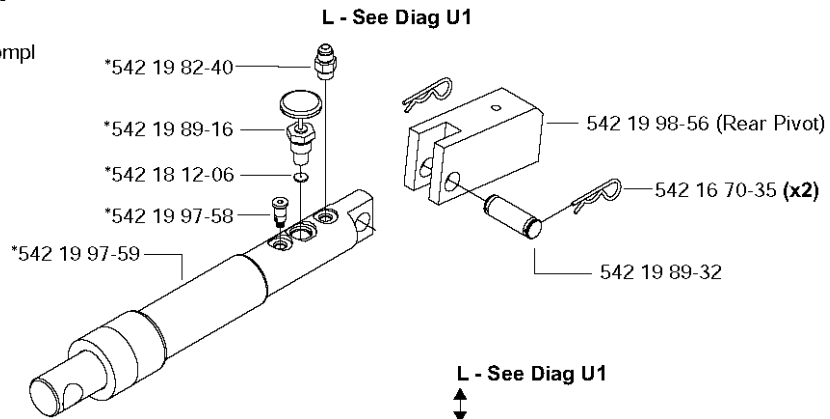
# O4 Hydraulic Lift Cylinder

**\*\* Rear Pivot \*\***



12.04.06

\* 542 19 97-61 compl



HYDRAULIC SCHEMATIC  
(See Operators Manual)



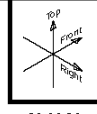
## Hydraulic Lift Cylinder, Rear Pivot

FS4800, 2008-01

| Part No      | Description                     | Remark | QTY KIT |
|--------------|---------------------------------|--------|---------|
| 542 16 70-35 | FUSE                            |        | 1       |
| 542 18 12-06 | DRUCKREGLER                     |        | 1       |
| 542 19 82-40 | FITTING                         |        | 1       |
| 542 19 89-16 | NEEDLE VALVE                    |        | 1       |
| 542 19 89-32 | BOLT                            |        | 1       |
| 542 19 97-58 | KONTROLLVENTIL                  |        | 1       |
| 542 19 97-59 | CYLINDER.LIFT. 1.5 X 5.5 W/2CAV |        | 1       |
| 542 19 97-61 | CYLINDER ASSY                   |        | 1       |
| 542 19 98-56 | MOUNTING LUG. CYLINDER. BLACK   |        | 1       |

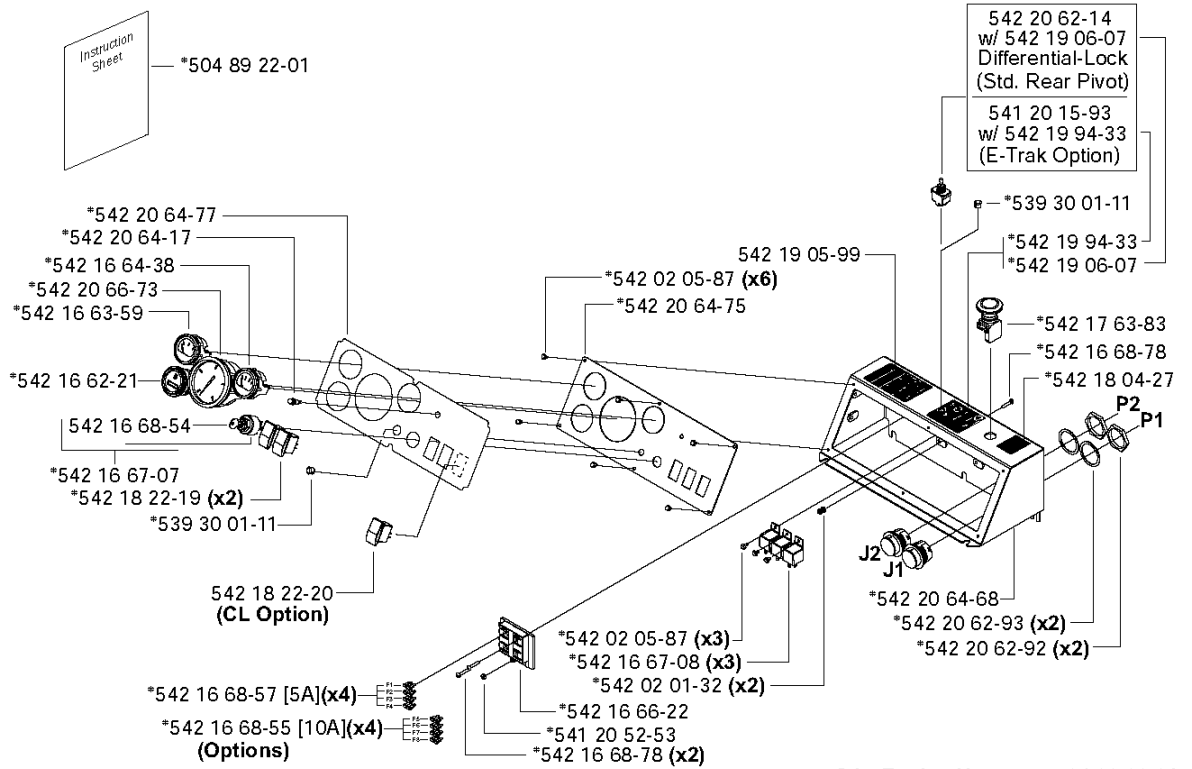
# E1 Instrument Panel - Husqvarna Gray

**\*\* 1-Speed \*\***



08.26.08

\*542 20 64-72 Kit, Control Box - Compl

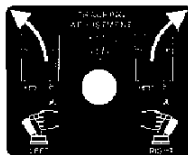


**P1 - Engine Harness 504 83 66-01**  
**P2 - Cowling Harness 542 18 22-63**  
 See 542 20 10-97 Operator's Manual for Wiring Diagrams

\*542 18 04-27



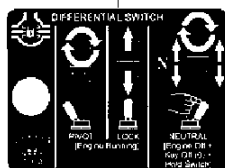
\*542 19 94-33



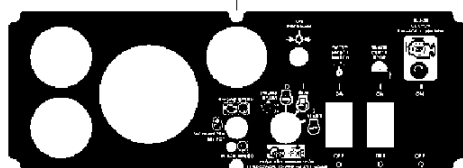
\*542 19 05-99

| BLADE RPM & SIZE |              |       |        |
|------------------|--------------|-------|--------|
| BLADE SIZE       | FLANGE SIZE  | BLADE | ENGINE |
|                  |              | RPM   | RPM    |
| 14" (355 mm)     | 1.5" (38 mm) | 3000  | 3000   |
| 14" (355 mm)     | 1.5" (38 mm) | 2800  | 2800   |
| 14" (355 mm)     | 1.5" (38 mm) | 2600  | 2600   |
| 14" (355 mm)     | 1.5" (38 mm) | 2400  | 2400   |
| 14" (355 mm)     | 1.5" (38 mm) | 2200  | 2200   |
| 14" (355 mm)     | 1.5" (38 mm) | 2000  | 2000   |
| 14" (355 mm)     | 1.5" (38 mm) | 1800  | 1800   |
| 14" (355 mm)     | 1.5" (38 mm) | 1600  | 1600   |
| 14" (355 mm)     | 1.5" (38 mm) | 1400  | 1400   |
| 14" (355 mm)     | 1.5" (38 mm) | 1200  | 1200   |
| 14" (355 mm)     | 1.5" (38 mm) | 1000  | 1000   |
| 14" (355 mm)     | 1.5" (38 mm) | 800   | 800    |
| 14" (355 mm)     | 1.5" (38 mm) | 600   | 600    |
| 14" (355 mm)     | 1.5" (38 mm) | 400   | 400    |
| 14" (355 mm)     | 1.5" (38 mm) | 200   | 200    |

\*542 19 06-07



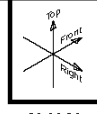
\*542 20 64-77



| Part No      | Description                     | Remark | QTY KIT |
|--------------|---------------------------------|--------|---------|
| 504 83 66-01 | WIRE                            |        | 1       |
| 504892201    | INSTRUCTION                     |        | 1       |
| 539 30 01-11 | PLUG                            |        | 1       |
| 539 30 01-11 | PLUG                            |        | 1       |
| 541 20 15-93 | TOGGLE SWITCH                   |        | 1       |
| 541 20 52-53 | NUT                             |        | 1       |
| 542 02 01-32 | NUT                             |        | 1       |
| 542 02 05-87 | HWHSTS, #10-24 X 3/8/TYP E F SL |        | 1       |
| 542 02 05-87 | HWHSTS, #10-24 X 3/8/TYP E F SL |        | 1       |
| 542 16 62-21 | HOURMETER/FS 6600D              |        | 1       |
| 542 16 63-59 | GAUGE                           |        | 1       |
| 542 16 64-38 | VOLTMETER GAUGE/(FS702T)        |        | 1       |
| 542 16 66-22 | FUSE BLOCK/FS902T *166622       |        | 1       |
| 542 16 67-07 | KEY SWITCH                      |        | 1       |
| 542 16 67-08 | RELAIS FS902T/02/03/            |        | 1       |
| 542 16 68-54 | KEY,IGNITION SET OF 2/          |        | 1       |
| 542 16 68-55 | FUSE                            |        | 1       |
| 542 16 68-57 | FUSE                            |        | 1       |
| 542 16 68-78 | PHMS. 10-24 X 1 TYPE F          |        | 1       |
| 542 16 68-78 | PHMS. 10-24 X 1 TYPE F          |        | 1       |
| 542 17 63-83 | SWITCH                          |        | 1       |
| 542 18 04-27 | DECAL                           |        | 1       |
| 542 18 04-27 | DECAL                           |        | 1       |
| 542 18 22-19 | ROCKER SWITCH/FS 6600D          |        | 1       |
| 542 18 22-20 | ROCKER SWITCH/FS 6600 D         |        | 1       |
| 542 18 22-63 | WIRING HARNESS                  |        | 1       |
| 542 19 05-99 | DECAL                           |        | 1       |
| 542 19 05-99 | DECAL                           |        | 1       |
| 542 19 06-07 | DECAL                           |        | 1       |
| 542 19 06-07 | DECAL                           |        | 1       |
| 542 19 06-07 | DECAL                           |        | 1       |
| 542 19 06-07 | DECAL                           |        | 1       |
| 542 19 94-33 | DECAL                           |        | 1       |
| 542 19 94-33 | DECAL                           |        | 1       |
| 542 19 94-33 | DECAL                           |        | 1       |
| 542 20 10-97 | OM OP INSTR:FS4800.HUSQ CE.3-L  |        | 1       |
| 542 20 62-14 | SWITCH                          |        | 1       |
| 542 20 62-92 | NUT                             |        | 1       |
| 542 20 62-93 | WASHER                          |        | 1       |
| 542 20 64-17 | LED. RED FS4800D                |        | 1       |
| 542 20 64-68 | INSTRUMNT PANEL WLDMT.HUSQ GR Y |        | 1       |
| 542 20 64-72 | INSTR CONTROL BOX ASSY. H GRAY  |        | 1       |
| 542 20 64-75 | INSTRUMENT PNL. 3-SPD.HSQ GRAY  |        | 1       |
| 542 20 64-77 | DECAL                           |        | 1       |
| 542 20 64-77 | DECAL                           |        | 1       |
| 542 20 66-73 | TACHOMETER                      |        | 1       |

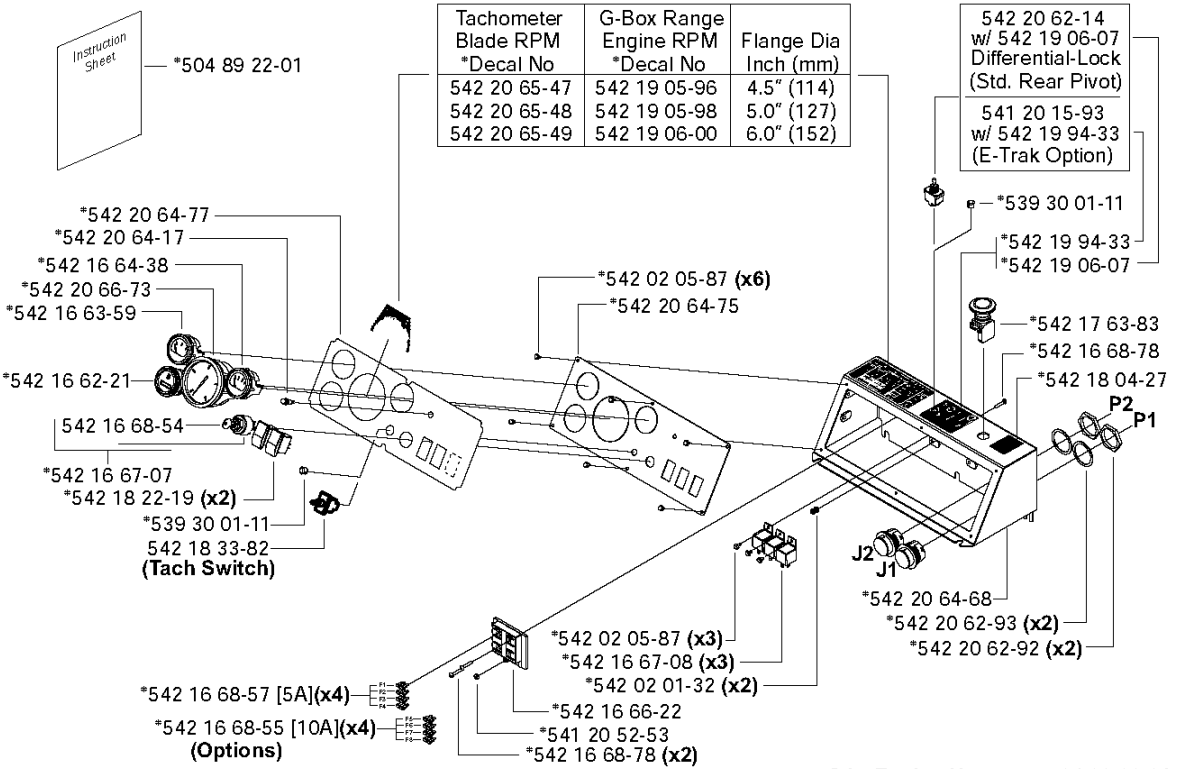
# E2 Instrument Panel - Husqvarna Gray

**\*\* 3-Speed \*\***

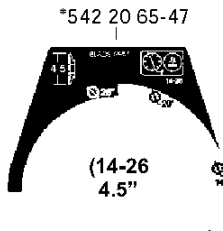


08.26.08

\*542 20 64-72 Kit, Control Box - Compl

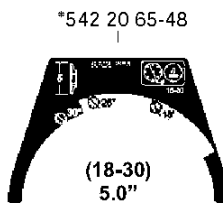


**P1 - Engine Harness 504 83 66-01**  
**P2 - Cowling Harness 542 18 22-63**  
 See 542 20 10-97 Operator's Manual for Wiring Diagrams



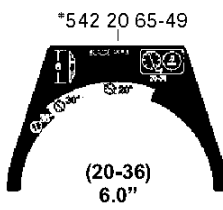
\*542 19 05-96

| GEARBOX RANGE / BLADE RPM (14-26) |                      |               |           |              |            |
|-----------------------------------|----------------------|---------------|-----------|--------------|------------|
| FLANGE SIZE                       | BLADE SIZE (Micromm) | GEARBOX RANGE | BLADE RPM | PULLEY       | ENGINE RPM |
| 4.50" 114 mm                      | 20" 508 mm           | 3             | 3100      | 4.12" 105 mm | 3200       |
|                                   |                      | 2             | 2100      |              | 3000       |



\*542 19 05-98

| GEARBOX RANGE / BLADE RPM (18-30) |                      |               |           |              |            |
|-----------------------------------|----------------------|---------------|-----------|--------------|------------|
| FLANGE SIZE                       | BLADE SIZE (Micromm) | GEARBOX RANGE | BLADE RPM | PULLEY       | ENGINE RPM |
| 5.00" 127 mm                      | 30" 762 mm           | 3             | 2800      | 4.50" 114 mm | 3200       |
|                                   |                      | 2             | 1800      |              | 3000       |

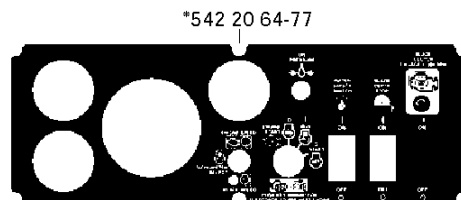
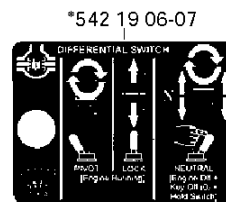


\*542 19 06-00

| GEARBOX RANGE / BLADE RPM (20-36) |                      |               |           |              |            |
|-----------------------------------|----------------------|---------------|-----------|--------------|------------|
| FLANGE SIZE                       | BLADE SIZE (Micromm) | GEARBOX RANGE | BLADE RPM | PULLEY       | ENGINE RPM |
| 6.00" 152 mm                      | 36" 914 mm           | 3             | 2200      | 5.20" 132 mm | 3200       |
|                                   |                      | 2             | 1500      |              | 3000       |

\*542 18 04-27

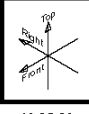
Covered By One Or More Of The Following U.S. Patents:  
 439655 433630 434994  
 507870 431113 440899  
 498626 521512 558190  
 547516 555858 592231  
 574312 593906 591061  
 627248 634893 636001  
 607175 617024  
 Other U.S. And Foreign Patents Pending



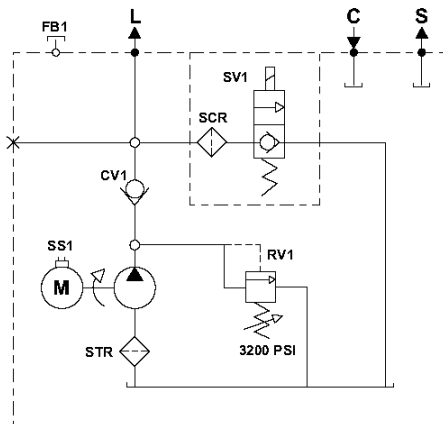
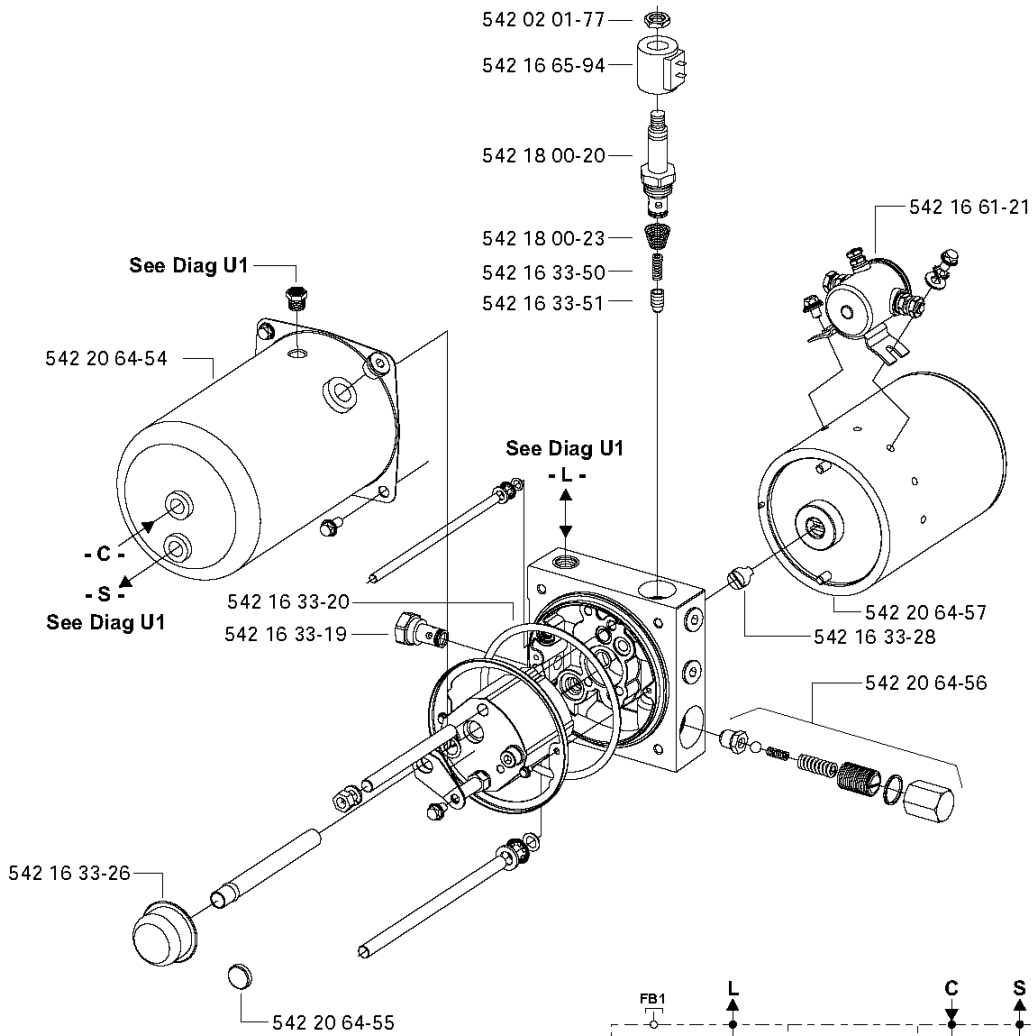
| Part No      | Description                     | Remark | QTY KIT |
|--------------|---------------------------------|--------|---------|
| 504 83 66-01 | WIRE                            |        | 1       |
| 504892201    | INSTRUCTION                     |        | 1       |
| 539 30 01-11 | PLUG                            |        | 1       |
| 539 30 01-11 | PLUG                            |        | 1       |
| 541 20 15-93 | TOGGLE SWITCH                   |        | 1       |
| 541 20 52-53 | NUT                             |        | 1       |
| 542 02 01-32 | NUT                             |        | 1       |
| 542 02 05-87 | HWHSTS, #10-24 X 3/8/TYP E F SL |        | 1       |
| 542 02 05-87 | HWHSTS, #10-24 X 3/8/TYP E F SL |        | 1       |
| 542 16 62-21 | HOURLMETER/FS 6600D             |        | 1       |
| 542 16 63-59 | GAUGE                           |        | 1       |
| 542 16 64-38 | VOLTMETER GAUGE/(FS702T)        |        | 1       |
| 542 16 66-22 | FUSE BLOCK/FS902T *166622       |        | 1       |
| 542 16 67-07 | KEY SWITCH                      |        | 1       |
| 542 16 67-08 | RELAIS FS902T/02/03/            |        | 1       |
| 542 16 68-54 | KEY,IGNITION SET OF 2/          |        | 1       |
| 542 16 68-55 | FUSE                            |        | 1       |
| 542 16 68-57 | FUSE                            |        | 1       |
| 542 16 68-78 | PHMS. 10-24 X 1 TYPE F          |        | 1       |
| 542 16 68-78 | PHMS. 10-24 X 1 TYPE F          |        | 1       |
| 542 17 63-83 | SWITCH                          |        | 1       |
| 542 18 04-27 | DECAL                           |        | 1       |
| 542 18 04-27 | DECAL                           |        | 1       |
| 542 18 22-19 | ROCKER SWITCH/FS 6600D          |        | 1       |
| 542 18 22-63 | WIRING HARNESS                  |        | 1       |
| 542 18 33-82 | SWITCH                          |        | 1       |
| 542 19 05-96 | DECAL                           |        | 1       |
| 542 19 05-96 | DECAL                           |        | 1       |
| 542 19 05-98 | DECAL                           |        | 1       |
| 542 19 06-00 | DECAL                           |        | 1       |
| 542 19 06-07 | DECAL                           |        | 1       |
| 542 19 06-07 | DECAL                           |        | 1       |
| 542 19 06-07 | DECAL                           |        | 1       |
| 542 19 94-33 | DECAL                           |        | 1       |
| 542 19 94-33 | DECAL                           |        | 1       |
| 542 19 94-33 | DECAL                           |        | 1       |
| 542 20 10-97 | OM OP INSTR:FS4800.HUSQ CE.3-L  |        | 1       |
| 542 20 62-14 | SWITCH                          |        | 1       |
| 542 20 62-92 | NUT                             |        | 1       |
| 542 20 62-93 | WASHER                          |        | 1       |
| 542 20 64-17 | LED. RED FS4800D                |        | 1       |
| 542 20 64-68 | INSTRUMNT PANEL WLDMT.HUSQ GRY  |        | 1       |
| 542 20 64-72 | INSTR CONTROL BOX ASSY. H GRAY  |        | 1       |
| 542 20 64-75 | INSTRUMENT PNL. 3-SPD.HSQ GRAY  |        | 1       |
| 542 20 64-77 | DECAL                           |        | 1       |
| 542 20 64-77 | DECAL                           |        | 1       |
| 542 20 65-47 | DECAL                           |        | 1       |
| 542 20 65-47 | DECAL                           |        | 1       |
| 542 20 65-48 | DECAL                           |        | 1       |
| 542 20 65-48 | DECAL                           |        | 1       |
| 542 20 65-49 | DECAL                           |        | 1       |
| 542 20 65-49 | DECAL                           |        | 1       |
| 542 20 66-73 | TACHOMETER                      |        | 1       |

# W Lift Pump

542 19 99-28 - Compl



12.05.06

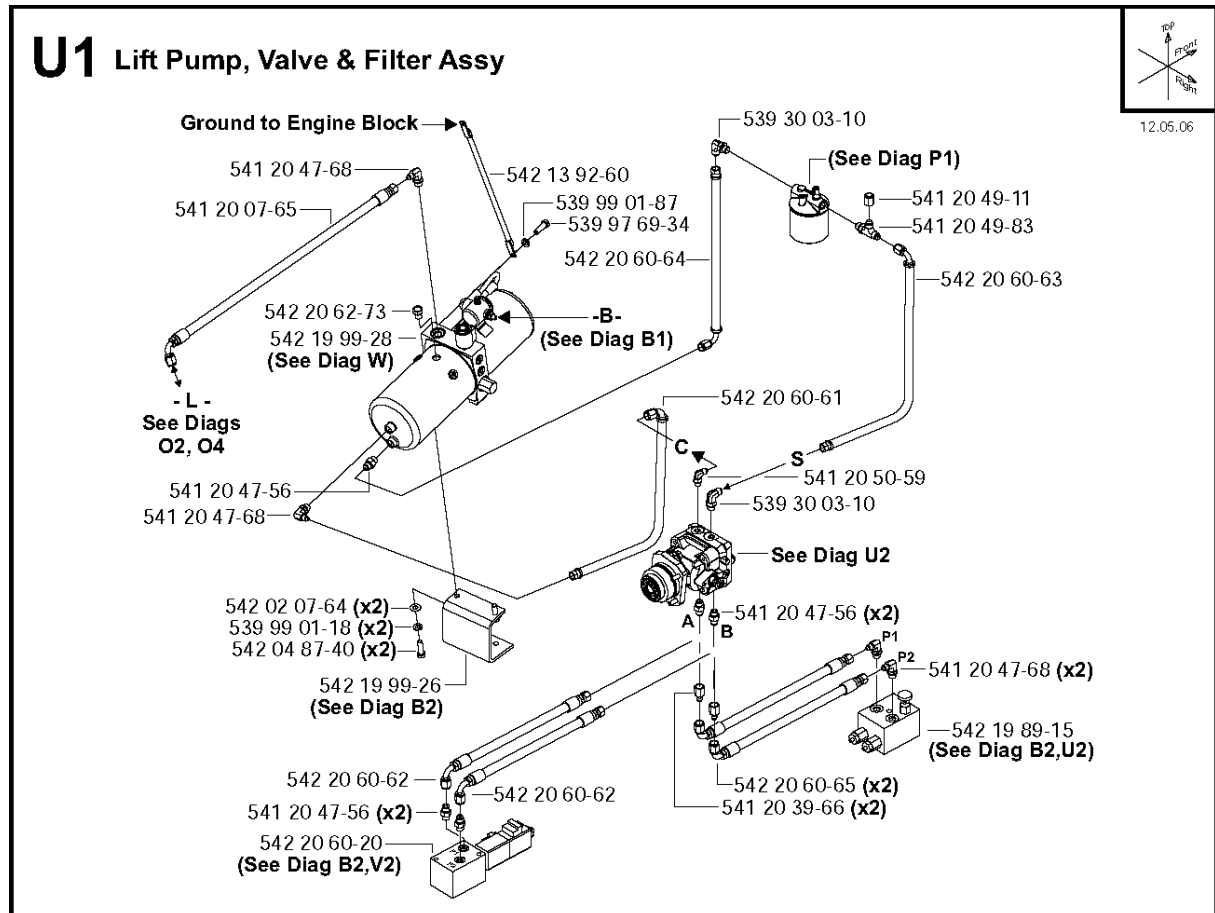


**HYDRAULIC SCHEMATIC**  
 See Operator's Manual

## Lift Pump

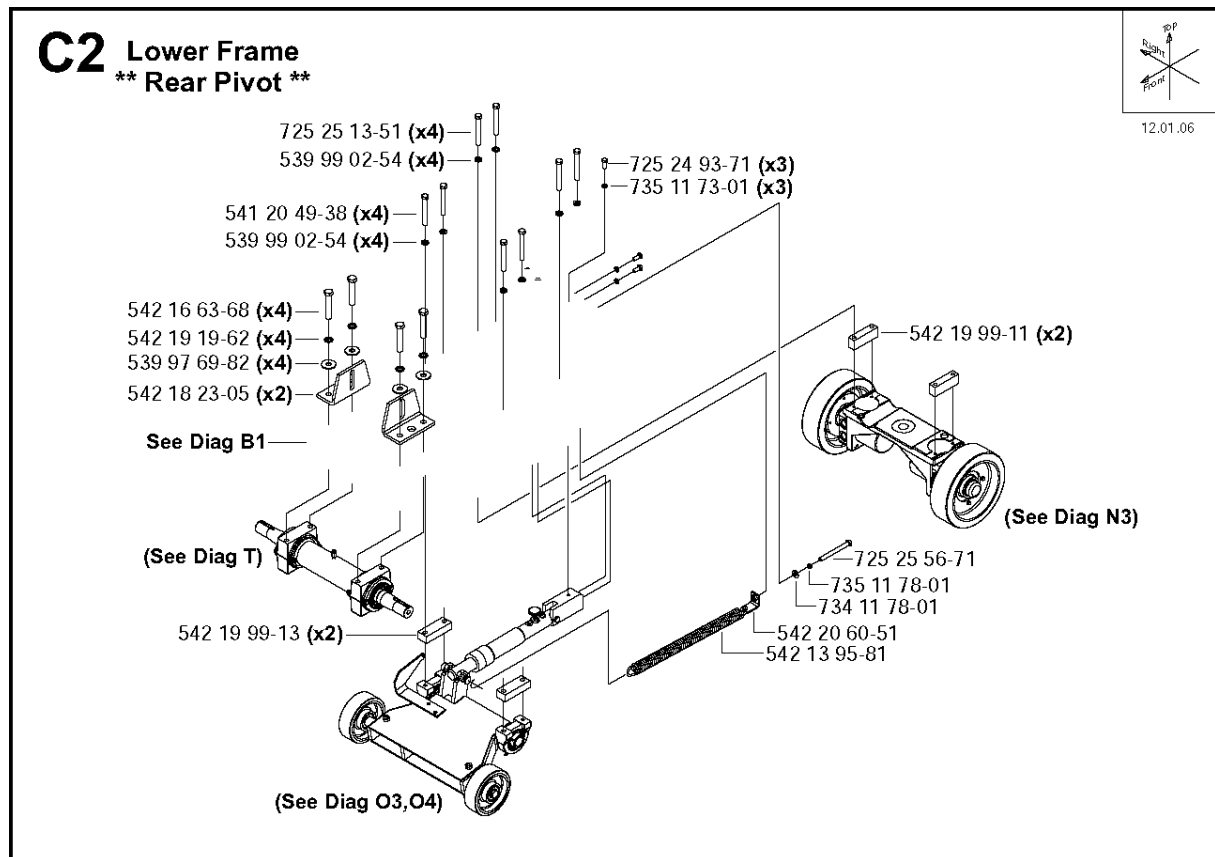
FS4800, 2008-01

| Part No      | Description                    | Remark | QTY KIT |
|--------------|--------------------------------|--------|---------|
| 542 02 01-77 | FS900T SCREW NUT/              |        | 1       |
| 542 16 33-19 | FS900T SCREW GICLEUR DE/POMPE  |        | 1       |
| 542 16 33-20 | FS900T JOINT/                  |        | 1       |
| 542 16 33-26 | FS900T FILTRE/                 |        | 1       |
| 542 16 33-28 | FS900T BOUTON CLAVETTE/        |        | 1       |
| 542 16 33-50 | FS900T RESSORT/                |        | 1       |
| 542 16 33-51 | FS900T FLOW CONTROL/(VALVE POM |        | 1       |
| 542 16 61-21 | FS902T RELAY FOR HYDRAUL/PUMP  |        | 1       |
| 542 16 65-94 | COIL                           |        | 1       |
| 542 18 00-20 | LOWERING VALVE/                |        | 1       |
| 542 18 00-23 | FILTER                         |        | 1       |
| 542 19 99-28 | LIFT PUMP ASSY FS4800D         |        | 1       |
| 542 20 64-54 | RESERVOIR. HYDR LIFT PUMP      |        | 1       |
| 542 20 64-55 | MAGNET . LIFT PUMP RESERVOIR   |        | 1       |
| 542 20 64-56 | KIT. RELIEF VALVE              |        | 1       |
| 542 20 64-57 | MOTOR. LIFT PUMP               |        | 1       |





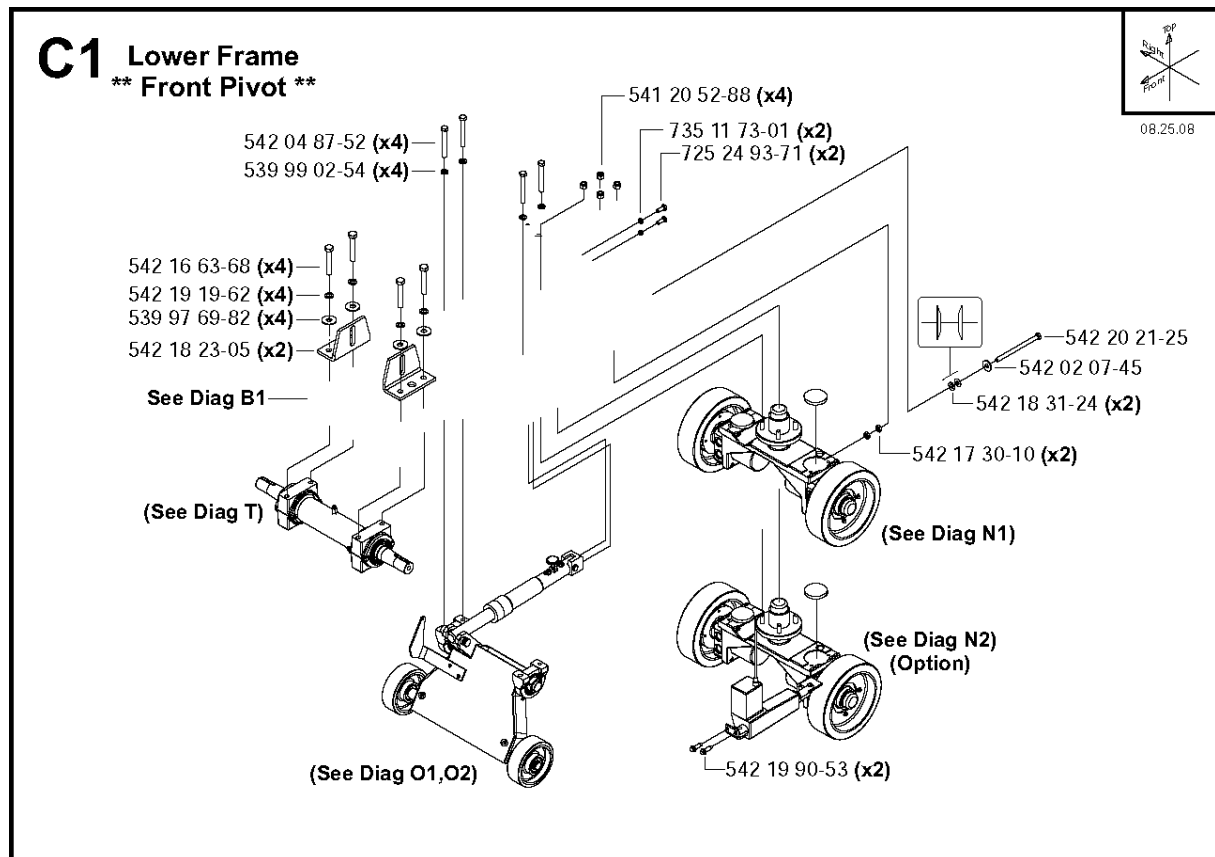
| Part No      | Description                   | Remark | QTY KIT |
|--------------|-------------------------------|--------|---------|
| 539 30 03-10 | HYD FIT 6801-6                |        | 1       |
| 539 30 03-10 | HYD FIT 6801-6                |        | 1       |
| 539 97 69-34 | SCREW                         |        | 1       |
| 539 99 01-18 | WASHER                        |        | 1       |
| 539 99 01-87 | WASHER                        |        | 1       |
| 541 20 07-65 | HOSE ASSY                     |        | 1       |
| 541 20 39-66 | HYD.FIT.. 2406-6-4            |        | 1       |
| 541 20 47-56 | HYDRAULIK ANPASSUNG           |        | 1       |
| 541 20 47-56 | HYDRAULIK ANPASSUNG           |        | 1       |
| 541 20 47-56 | HYDRAULIK ANPASSUNG           |        | 1       |
| 541 20 47-68 | HYDRAULIK ANPASSUNG           |        | 1       |
| 541 20 47-68 | HYDRAULIK ANPASSUNG           |        | 1       |
| 541 20 47-68 | HYDRAULIK ANPASSUNG           |        | 1       |
| 541 20 49-11 | HYDRAULIK ANPASSUNG           |        | 1       |
| 541 20 49-83 | CLUTCH                        |        | 1       |
| 541 20 50-59 | HYD.FIT.. 6801-4-4            |        | 1       |
| 542 02 07-64 | WASHER                        |        | 1       |
| 542 04 87-40 | HHCS 375-16X1.25 GR5 Z/P/     |        | 1       |
| 542 13 92-60 | FS900T CABLE BATTERIE/        |        | 1       |
| 542 19 89-15 | AUSGLEICHVENTIL               |        | 1       |
| 542 19 99-26 | LIFT PUMP MOUNT. BLACK        |        | 1       |
| 542 19 99-28 | LIFT PUMP ASSY FS4800D        |        | 1       |
| 542 20 60-20 | VALVE. DIFFERENTIAL LOCK      |        | 1       |
| 542 20 60-61 | HOSE                          |        | 1       |
| 542 20 60-62 | HOSE                          |        | 1       |
| 542 20 60-62 | HOSE                          |        | 1       |
| 542 20 60-63 | HOSE                          |        | 1       |
| 542 20 60-64 | HSE.250-300.6JF90L.4311-6.33" |        | 1       |
| 542 20 60-65 | HOSE                          |        | 1       |
| 542 20 62-73 | BREATHER                      |        | 1       |



## Lower Frame

FS4800, 2008-01

| Part No      | Description                    | Remark | QTY KIT |
|--------------|--------------------------------|--------|---------|
| 539 97 69-82 | WASHER                         |        | 1       |
| 539 99 02-54 | WASHER                         |        | 1       |
| 539 99 02-54 | WASHER                         |        | 1       |
| 541 20 49-38 | BOLT                           |        | 1       |
| 542 13 95-81 | FEDER-POS.28-HOEHENVERST/FS350 |        | 1       |
| 542 16 63-68 | SCREW                          |        | 1       |
| 542 18 23-05 | BRKT.SUPPORT(ENG REAR)PC H-GRY |        | 1       |
| 542 19 19-62 | SCHEIBE M16 DIN127             |        | 1       |
| 542 19 99-11 | BLOCK. REAR AXLE SPACER. BLACK |        | 1       |
| 542 19 99-13 | BLOCK.FRNT AXLE SPACER.2".BLCK |        | 1       |
| 542 20 60-51 | ANCHOR                         |        | 1       |
| 725 24 93-71 | SCREW EHHM                     |        | 1       |
| 725 25 13-51 | SCREW EHHM                     |        | 1       |
| 725 25 56-71 | SCREW EHHM                     |        | 1       |
| 734 11 78-01 | WASHER                         |        | 1       |
| 735 11 73-01 | SPRING WASHER                  |        | 1       |
| 735 11 78-01 | BEILAGSCHEIBE                  |        | 1       |

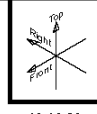


## Lower Frame

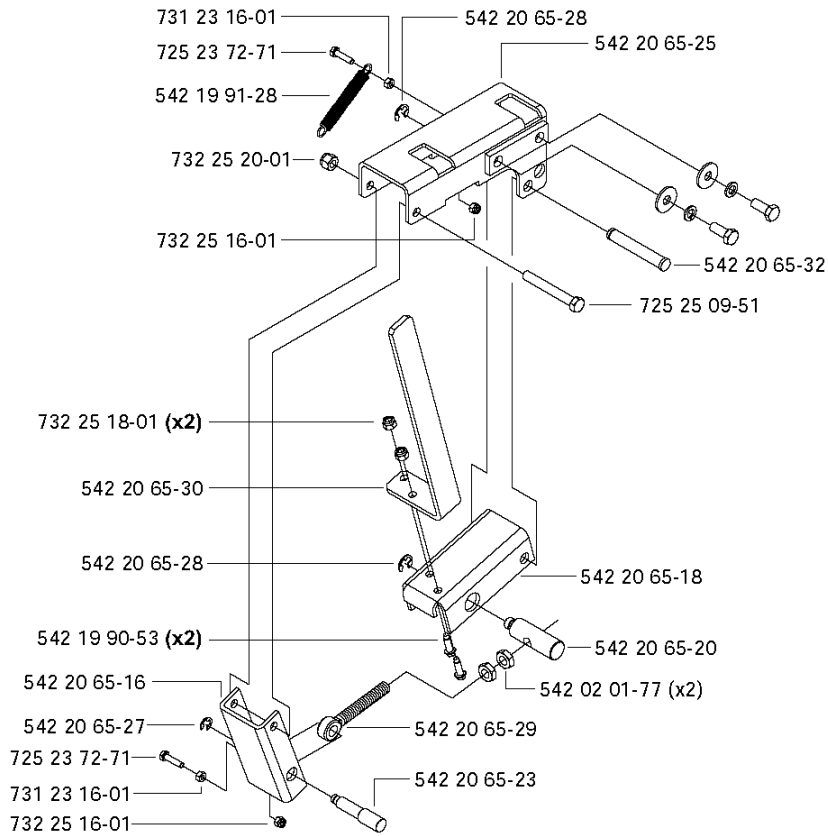
FS4800, 2008-01

| Part No      | Description                    | Remark | QTY KIT |
|--------------|--------------------------------|--------|---------|
| 539 97 69-82 | WASHER                         |        | 1       |
| 539 99 02-54 | WASHER                         |        | 1       |
| 541 20 52-88 | NUT                            |        | 1       |
| 542 02 07-45 | HS350T RINGS/                  |        | 1       |
| 542 04 87-52 | SCREW                          |        | 1       |
| 542 16 63-68 | SCREW                          |        | 1       |
| 542 17 30-10 | NUT                            |        | 1       |
| 542 18 23-05 | BRKT.SUPPORT(ENG REAR)PC H-GRY |        | 1       |
| 542 18 31-24 | SCHEIBENFEDER                  |        | 1       |
| 542 19 19-62 | SCHEIBE M16 DIN127             |        | 1       |
| 542 19 90-53 | HWH BODY BOLT W/DOG/PT M8-1.25 |        | 1       |
| 542 20 21-25 | HHCS M12x1.75x175 G10.9 DIN933 |        | 1       |
| 725 24 93-71 | SCREW EHHM                     |        | 1       |
| 735 11 73-01 | SPRING WASHER                  |        | 1       |

**AA** Parking Brake  
**\*\* Rear Pivot Only \*\***



12.13.06

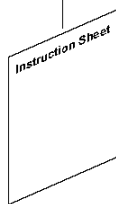


**Parking Brake Installation**  
**\*\* Used for Rear Pivot Only \*\***

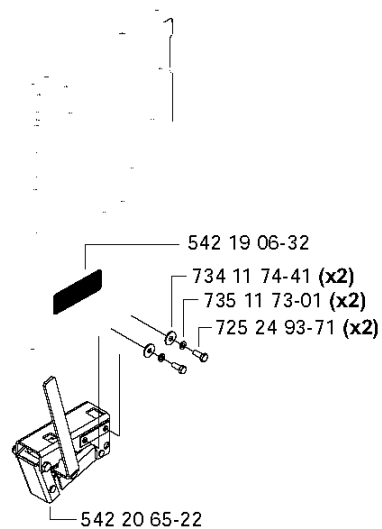
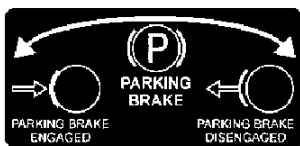
12.05.06

542 20 65-15 Parking Brake - Compl

542 20 11-09



542 19 06-32

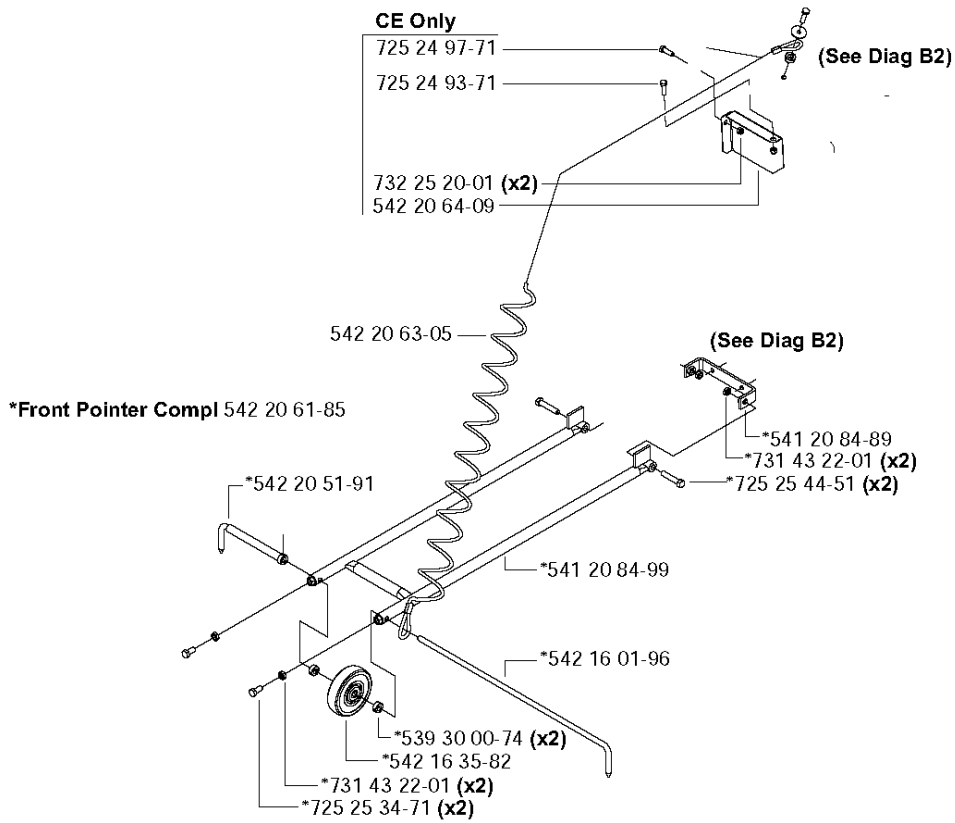
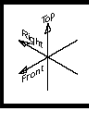


## Parking Brake, Rear Pivot Only

FS4800, 2008-01

| Part No      | Description                          | Remark | QTY KIT |
|--------------|--------------------------------------|--------|---------|
| 542 02 01-77 | FS900T SCREW NUT/                    |        | 1       |
| 542 19 06-32 | DECAL                                |        | 1       |
| 542 19 06-32 | DECAL                                |        | 1       |
| 542 19 90-53 | HWH BODY BOLT W/DOG/PT M8-1.25       |        | 1       |
| 542 19 91-28 | SPRING BLADE GUARD/FS 6600D          |        | 1       |
| 542 20 11-09 | INST SHT: PARKING BRAKE INSTALLATION |        | 1       |
| 542 20 65-15 | KIT. PARKING BRAKE                   |        | 1       |
| 542 20 65-16 | BRAKE PAD                            |        | 1       |
| 542 20 65-18 | BRAKE LINKAGE. BLACK                 |        | 1       |
| 542 20 65-20 | PEN                                  |        | 1       |
| 542 20 65-22 | PARKING BRAKE SUB ASSY FS4800        |        | 1       |
| 542 20 65-23 | PEN                                  |        | 1       |
| 542 20 65-25 | BRKT. PARKING BRAKE BASE.BLACK       |        | 1       |
| 542 20 65-27 | E-RING. RETAINER 3/8 SHAFT           |        | 1       |
| 542 20 65-28 | E-RING. RETAINER 1/2 SHAFT           |        | 1       |
| 542 20 65-28 | E-RING. RETAINER 1/2 SHAFT           |        | 1       |
| 542 20 65-29 | ROD END THREADED 1/2-13              |        | 1       |
| 542 20 65-30 | HANDLE                               |        | 1       |
| 542 20 65-32 | PEN                                  |        | 1       |
| 725 23 72-71 | SCREW EHHM                           |        | 1       |
| 725 23 72-71 | SCREW EHHM                           |        | 1       |
| 725 24 93-71 | SCREW EHHM                           |        | 1       |
| 725 25 09-51 | SCREW EHHM                           |        | 1       |
| 731 23 16-01 | HEXAGON NUT                          |        | 1       |
| 731 23 16-01 | HEXAGON NUT                          |        | 1       |
| 732 25 16-01 | HEXAGON LOCKING NUT                  |        | 1       |
| 732 25 16-01 | HEXAGON LOCKING NUT                  |        | 1       |
| 732 25 18-01 | HEXAGON LOCKING NUT                  |        | 1       |
| 732 25 20-01 | HEXAGON LOCKING NUT                  |        | 1       |
| 734 11 74-41 | WASHER                               |        | 1       |
| 735 11 73-01 | SPRING WASHER                        |        | 1       |

# M Pointer - Lift Bail - CE

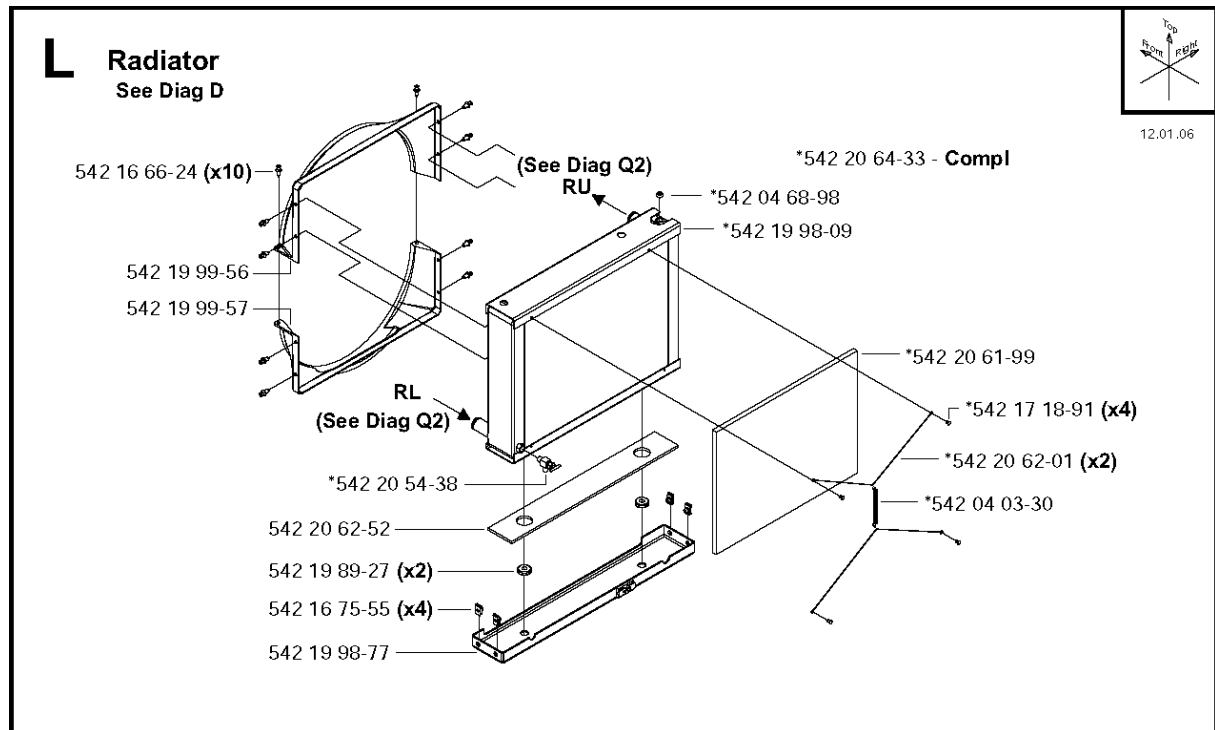




## Pointer - Lift Bail

FS4800, 2008-01

| Part No      | Description                    | Remark | QTY KIT |
|--------------|--------------------------------|--------|---------|
| 539 30 00-74 | SET COLLAR, 1/2" PLTD          |        | 1       |
| 541 20 84-89 | BRKT. POINTER MOUNT. PC H-GRY  |        | 1       |
| 541 20 84-99 | POINTER WLDMT. FRNT. PC H-GRY  |        | 1       |
| 542 16 01-96 | FS900T POINTER ROD/            |        | 1       |
| 542 16 35-82 | WHEEL                          |        | 1       |
| 542 20 51-91 | EXTENSION. POINTER. PRO. ZINC  |        | 1       |
| 542 20 61-85 | POINTER ASSY. FRONT            |        | 1       |
| 542 20 63-05 | CABLE. COILED 5/16"X9FT FS4800 |        | 1       |
| 542 20 64-09 | HEAT SHIELD                    |        | 1       |
| 725 24 93-71 | SCREW EHHM                     |        | 1       |
| 725 24 97-71 | SCREW EHHM                     |        | 1       |
| 725 25 34-71 | SCREW EHHM                     |        | 1       |
| 725 25 44-51 | SCREW EHHM                     |        | 1       |
| 731 43 22-01 | HEXAGON THIN NUT               |        | 1       |
| 731 43 22-01 | HEXAGON THIN NUT               |        | 1       |
| 732 25 20-01 | HEXAGON LOCKING NUT            |        | 1       |



## Radiator

FS4800, 2008-01

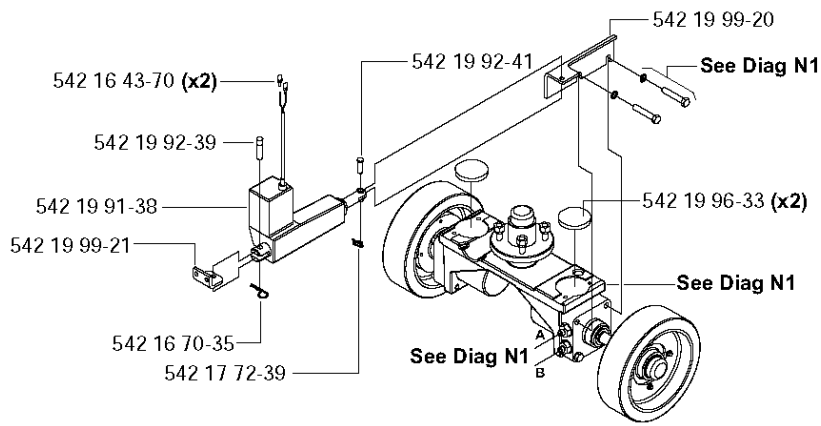
| Part No      | Description                | Remark | QTY KIT |
|--------------|----------------------------|--------|---------|
| 542 04 03-30 | SPRING                     |        | 1       |
| 542 04 68-98 | PLUG. PIPE. HOLLOW HEX.    |        | 1       |
| 542 16 66-24 | BOLT                       |        | 1       |
| 542 16 75-55 | NUT                        |        | 1       |
| 542 17 18-91 | BLIND RIVET 3/16" DIA      |        | 1       |
| 542 19 89-27 | RUBBER GASKET              |        | 1       |
| 542 19 98-09 | RADIATOR. SERVICE SAW      |        | 1       |
| 542 19 98-77 | RADIATOR PAN. BLACK        |        | 1       |
| 542 19 99-56 | FAN SHROUD. BOTTOM         |        | 1       |
| 542 19 99-57 | FAN SHROUD. TOP            |        | 1       |
| 542 20 54-38 | VALVE. DRAIN FS4800D       |        | 1       |
| 542 20 61-99 | FILTER                     |        | 1       |
| 542 20 62-01 | LANYARD. FILTER RETAINER   |        | 1       |
| 542 20 62-52 | RUBBER INSULATOR. NEOPRENE |        | 1       |
| 542 20 64-33 | RADIATOR ASSY              |        | 1       |

# N2 Rear Axle - E-Track

**\*\* Front Pivot \*\***  
See Diag C1



12.04.06

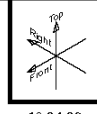


| Part No      | Description | Remark | QTY KIT |
|--------------|-------------|--------|---------|
| 542 16 43-70 | CABLE SHOE  |        | 1       |
| 542 16 70-35 | FUSE        |        | 1       |
| 542 17 72-39 | STIFT 1/2"  |        | 1       |
| 542 19 91-38 | ACTUATOR    |        | 1       |
| 542 19 92-39 | BOLT        |        | 1       |
| 542 19 92-41 | BOLT        |        | 1       |
| 542 19 96-33 | DISC        |        | 1       |
| 542 19 99-20 | ACTUATOR    |        | 1       |
| 542 19 99-21 | ACTUATOR    |        | 1       |

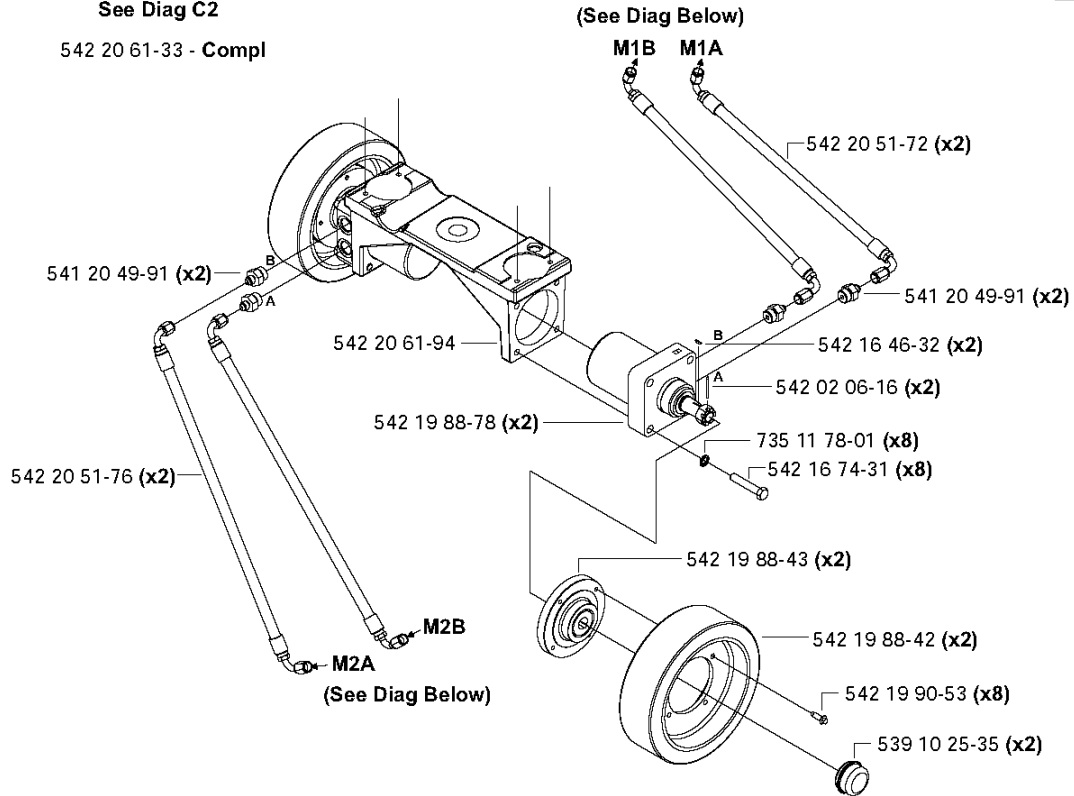
# N3 Rear Axle - Fixed \*\* Rear Pivot \*\*

See Diag C2

542 20 61-33 - Compl



12.04.06



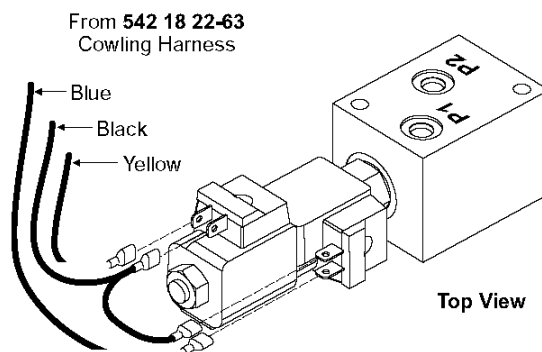
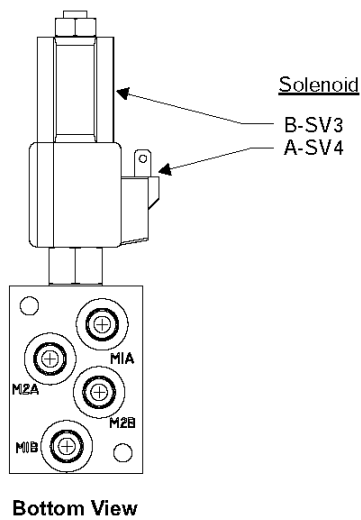
## Connection Diagrams - Differential Lock Valve

\*\* Rear Pivot \*\*

See Diags B2 & V2

12.04.06

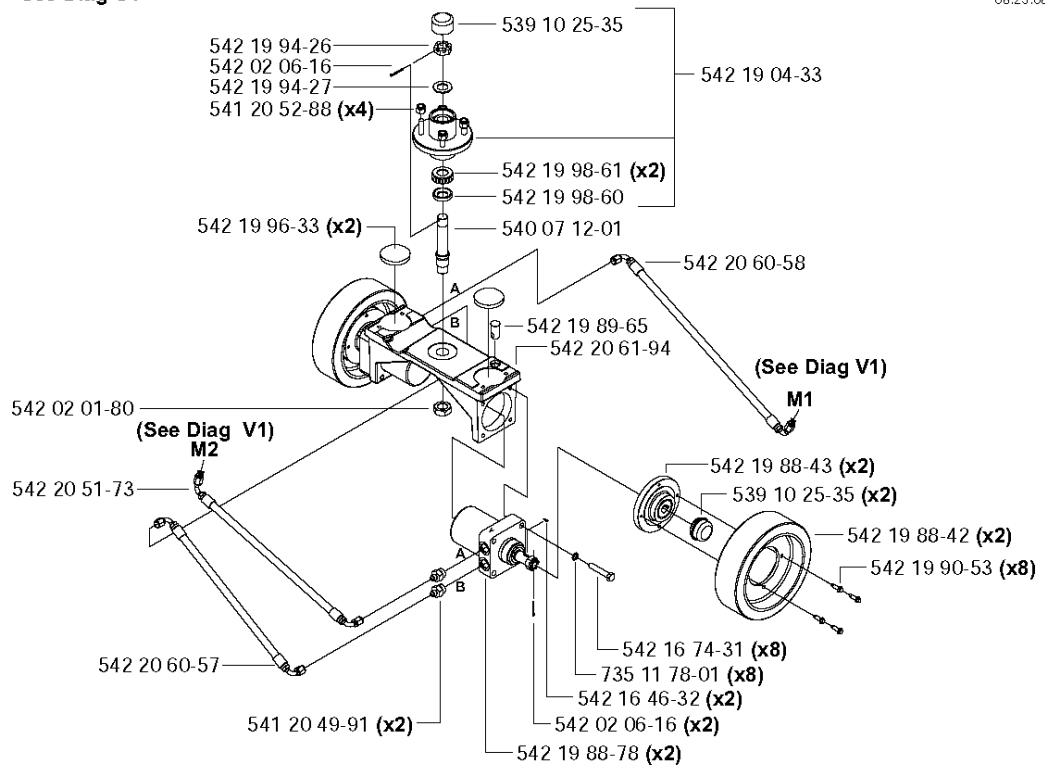
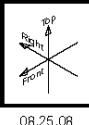
542 20 60-20 Valve - Compl



| Part No      | Description                    | Remark | QTY KIT |
|--------------|--------------------------------|--------|---------|
| 539 10 25-35 | COVER                          |        | 1       |
| 541 20 49-91 | HYDRAULIK KUPPLUNG             |        | 1       |
| 541 20 49-91 | HYDRAULIK KUPPLUNG             |        | 1       |
| 542 02 06-16 | STIFT .125 X 1.50              |        | 1       |
| 542 16 46-32 | FS1200T KEY - WOODRUFF/        |        | 1       |
| 542 16 74-31 | SCREW                          |        | 1       |
| 542 18 22-63 | WIRING HARNESS                 |        | 1       |
| 542 19 88-42 | REAR WHEEL                     |        | 1       |
| 542 19 88-43 | HUB                            |        | 1       |
| 542 19 88-78 | WHEEL MOTOR PARKER/FS 6600 D   |        | 1       |
| 542 19 90-53 | HWH BODY BOLT W/DOG/PT M8-1.25 |        | 1       |
| 542 20 51-72 | HOSE                           |        | 1       |
| 542 20 51-76 | HOSE                           |        | 1       |
| 542 20 60-20 | VALVE. DIFFERENTIAL LOCK       |        | 1       |
| 542 20 61-33 | REAR AXLE ASSY. PR048 PDH      |        | 1       |
| 542 20 61-94 | REAR AXLE ASSY                 |        | 1       |
| 735 11 78-01 | BEILAGSCHEIBE                  |        | 1       |

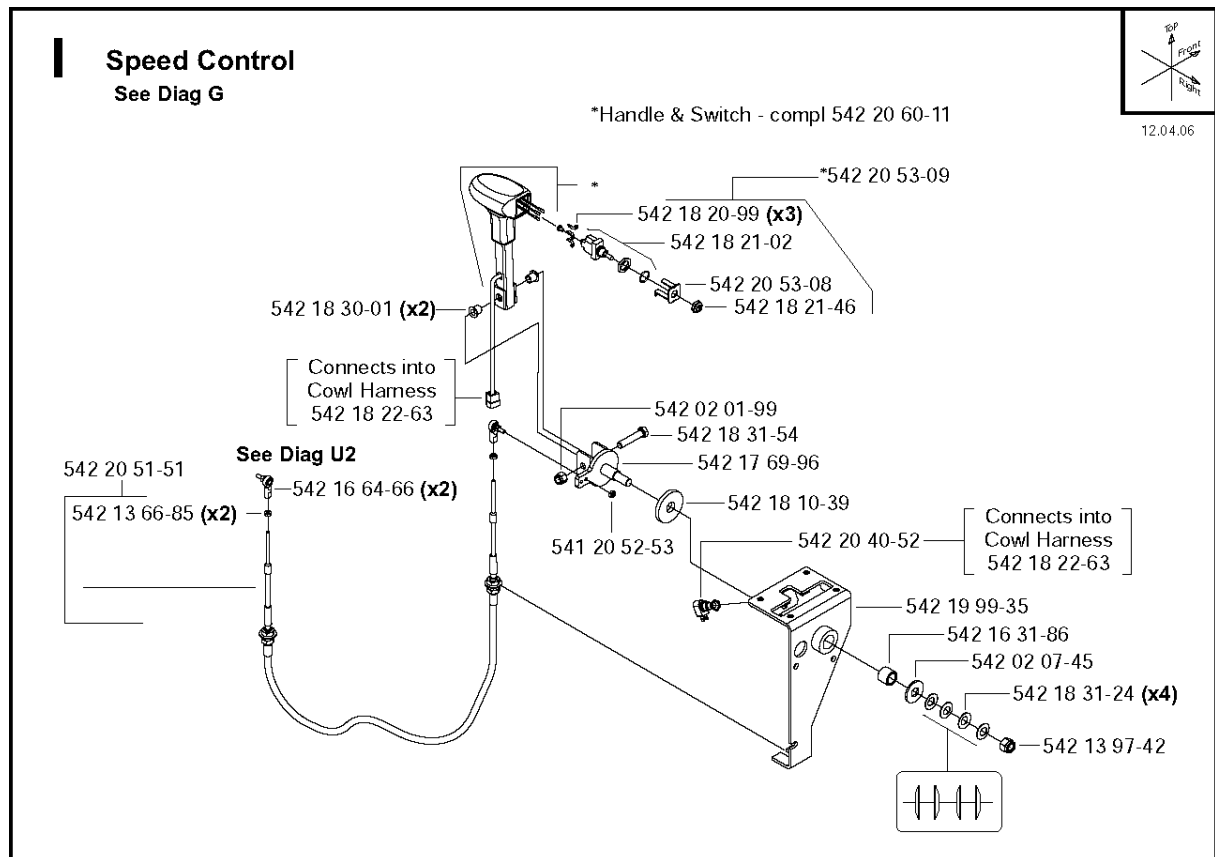
# N1 Rear Axle - Manual

**\*\* Front Pivot \*\***  
See Diag C1





| Part No      | Description                    | Remark | QTY KIT |
|--------------|--------------------------------|--------|---------|
| 539 10 25-35 | COVER                          |        | 1       |
| 539 10 25-35 | COVER                          |        | 1       |
| 540 07 12-01 | AXLE                           |        | 1       |
| 541 20 49-91 | HYDRAULIK KUPPLUNG             |        | 1       |
| 541 20 52-88 | NUT                            |        | 1       |
| 542 02 01-80 | FS1200T NUT - JAM 1"-14"       |        | 1       |
| 542 02 06-16 | STIFT .125 X 1.50              |        | 1       |
| 542 02 06-16 | STIFT .125 X 1.50              |        | 1       |
| 542 16 46-32 | FS1200T KEY - WOODRUFF/        |        | 1       |
| 542 16 74-31 | SCREW                          |        | 1       |
| 542 19 04-33 | HUB ASSY                       |        | 1       |
| 542 19 88-42 | REAR WHEEL                     |        | 1       |
| 542 19 88-43 | HUB                            |        | 1       |
| 542 19 88-78 | WHEEL MOTOR PARKER/FS 6600 D   |        | 1       |
| 542 19 89-65 | SPANNSCHLOSS M12X1.75          |        | 1       |
| 542 19 90-53 | HWH BODY BOLT W/DOG/PT M8-1.25 |        | 1       |
| 542 19 94-26 | NUT                            |        | 1       |
| 542 19 94-27 | SPRING                         |        | 1       |
| 542 19 96-33 | DISC                           |        | 1       |
| 542 19 98-60 | SEAL                           |        | 1       |
| 542 19 98-61 | BEARING                        |        | 1       |
| 542 20 51-73 | HOSE                           |        | 1       |
| 542 20 60-57 | HOSE                           |        | 1       |
| 542 20 60-58 | HOSE                           |        | 1       |
| 542 20 61-94 | REAR AXLE ASSY                 |        | 1       |
| 735 11 78-01 | BEILAGSCHEIBE                  |        | 1       |



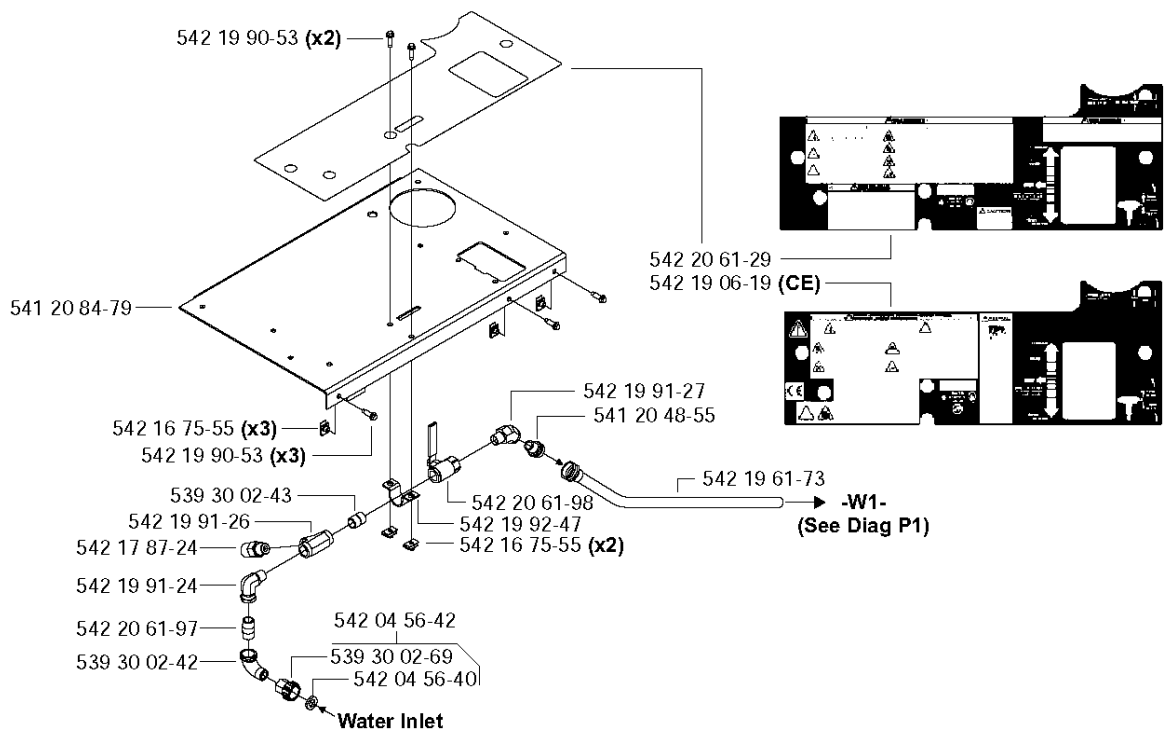
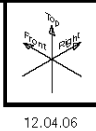
## Speed Control

FS4800, 2008-01

| Part No      | Description                    | Remark | QTY KIT |
|--------------|--------------------------------|--------|---------|
| 541 20 52-53 | NUT                            |        | 1       |
| 542 02 01-99 | LOCK NUT                       |        | 1       |
| 542 02 07-45 | HS350T RINGS/                  |        | 1       |
| 542 13 66-85 | FS900T SCREW NUT/              |        | 1       |
| 542 13 97-42 | NUT                            |        | 1       |
| 542 16 31-86 | BUSELURE/                      |        | 1       |
| 542 16 64-66 | ROD END MALE/# 10-32           |        | 1       |
| 542 17 69-96 | ARM                            |        | 1       |
| 542 18 10-39 | WASHER                         |        | 1       |
| 542 18 20-99 | ANSCHLUSSKLEMME                |        | 1       |
| 542 18 21-02 | SWITCH ASSY/ATT 182100 + 18211 |        | 1       |
| 542 18 21-46 | BOLT                           |        | 1       |
| 542 18 22-63 | WIRING HARNESS                 |        | 1       |
| 542 18 22-63 | WIRING HARNESS                 |        | 1       |
| 542 18 30-01 | LAUFBUCHSE                     |        | 1       |
| 542 18 31-24 | SCHEIBENFEDER                  |        | 1       |
| 542 18 31-54 | HUTSCHRAUBE .375-16            |        | 1       |
| 542 19 99-35 | BRACKET. SPEED CONTROL. Z/P    |        | 1       |
| 542 20 40-52 | SWITCH                         |        | 1       |
| 542 20 51-51 | CABLE                          |        | 1       |
| 542 20 53-08 | BRKT.RS/LWR SWITCH.BLCK ANODIZ |        | 1       |
| 542 20 53-09 | SWITCH                         |        | 1       |
| 542 20 60-11 | HANDLE                         |        | 1       |

# J Top Cover - Husqvarna Gray

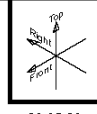
See Diag D



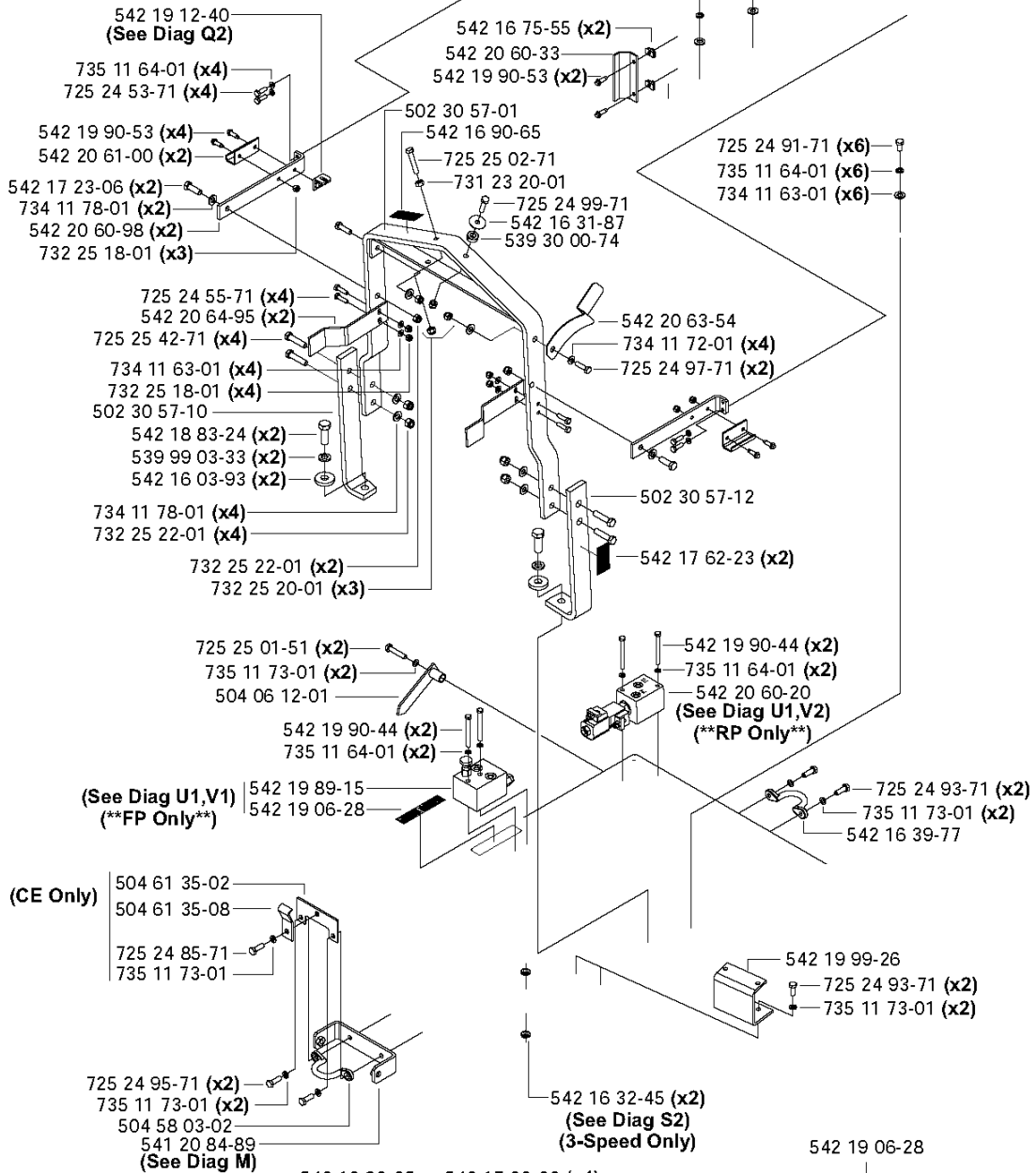
| Part No      | Description                    | Remark | QTY KIT |
|--------------|--------------------------------|--------|---------|
| 539 30 02-42 | PIPE FIT. ST. ELBOW, 1/2" GALV |        | 1       |
| 539 30 02-43 | PIPE FIT. CLOSE NIPPLE, 1/2"   |        | 1       |
| 539 30 02-69 | HYD FIT 4045-12-8(USE 1C0013)  |        | 1       |
| 541 20 48-55 | MUFFE 3/4 GH X 1/2 MPT         |        | 1       |
| 541 20 84-79 | COWL TOP. WLDMT. PC H-GRY      |        | 1       |
| 542 04 56-40 | FS900T RING/                   |        | 1       |
| 542 04 56-42 | FS900T CONNECTOR FILTRE/       |        | 1       |
| 542 16 75-55 | NUT                            |        | 1       |
| 542 16 75-55 | NUT                            |        | 1       |
| 542 17 87-24 | SWITCH                         |        | 1       |
| 542 19 06-19 | DECAL                          |        | 1       |
| 542 19 61-73 | WATER HOSE, 66" 1XFGH/FS 6600  |        | 1       |
| 542 19 90-53 | HWH BODY BOLT W/DOG/PT M8-1.25 |        | 1       |
| 542 19 90-53 | HWH BODY BOLT W/DOG/PT M8-1.25 |        | 1       |
| 542 19 91-24 | VERBINDUNG 2107-8-8-S          |        | 1       |
| 542 19 91-26 | VERBINDUNG 1/2 MMO-S           |        | 1       |
| 542 19 91-27 | VERBINDUNG 1/2 CD45-S          |        | 1       |
| 542 19 92-47 | BRACKET                        |        | 1       |
| 542 20 61-29 | DECAL                          |        | 1       |
| 542 20 61-97 | PIPE NIPPLE 1/2 X 1.5 NPT GALV |        | 1       |
| 542 20 61-98 | VALVE. BALL 1/2 NPT FS4800D    |        | 1       |

# B2 Upper Frame

(See Diag G)



(See Diag F)



(CE Only)

542 16 90-65      542 17 62-23 (x4)

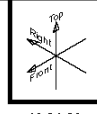
**WARNING**      **WARNING**

**DRIVE (Engage):**  
 Turn Knob Clockwise (Downward)

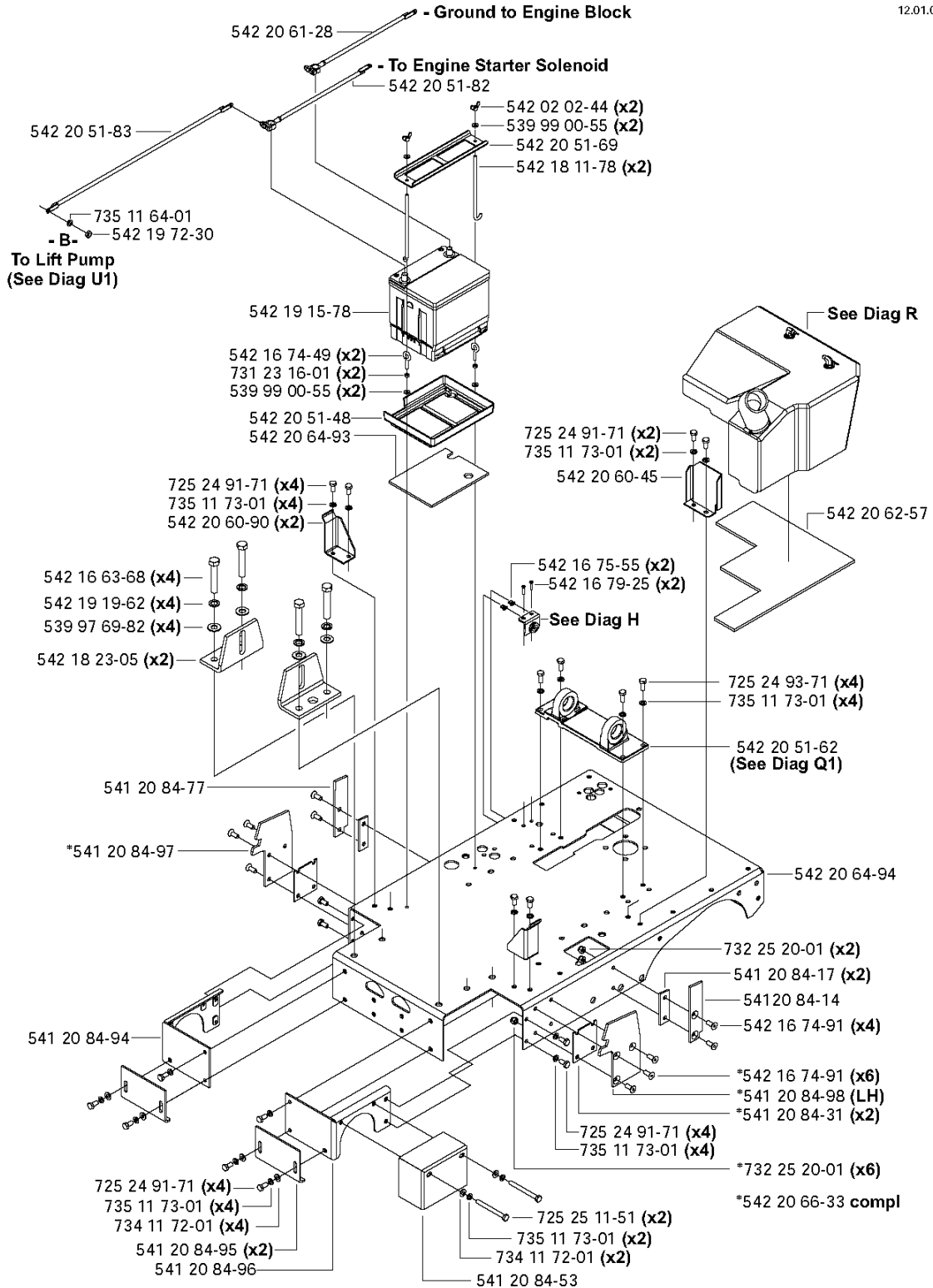
**NEUTRAL:**  
 Turn Knob Counter-Clockwise (Upward)



# B1 Upper Frame



12.01.06







# Y Water Pump Kit

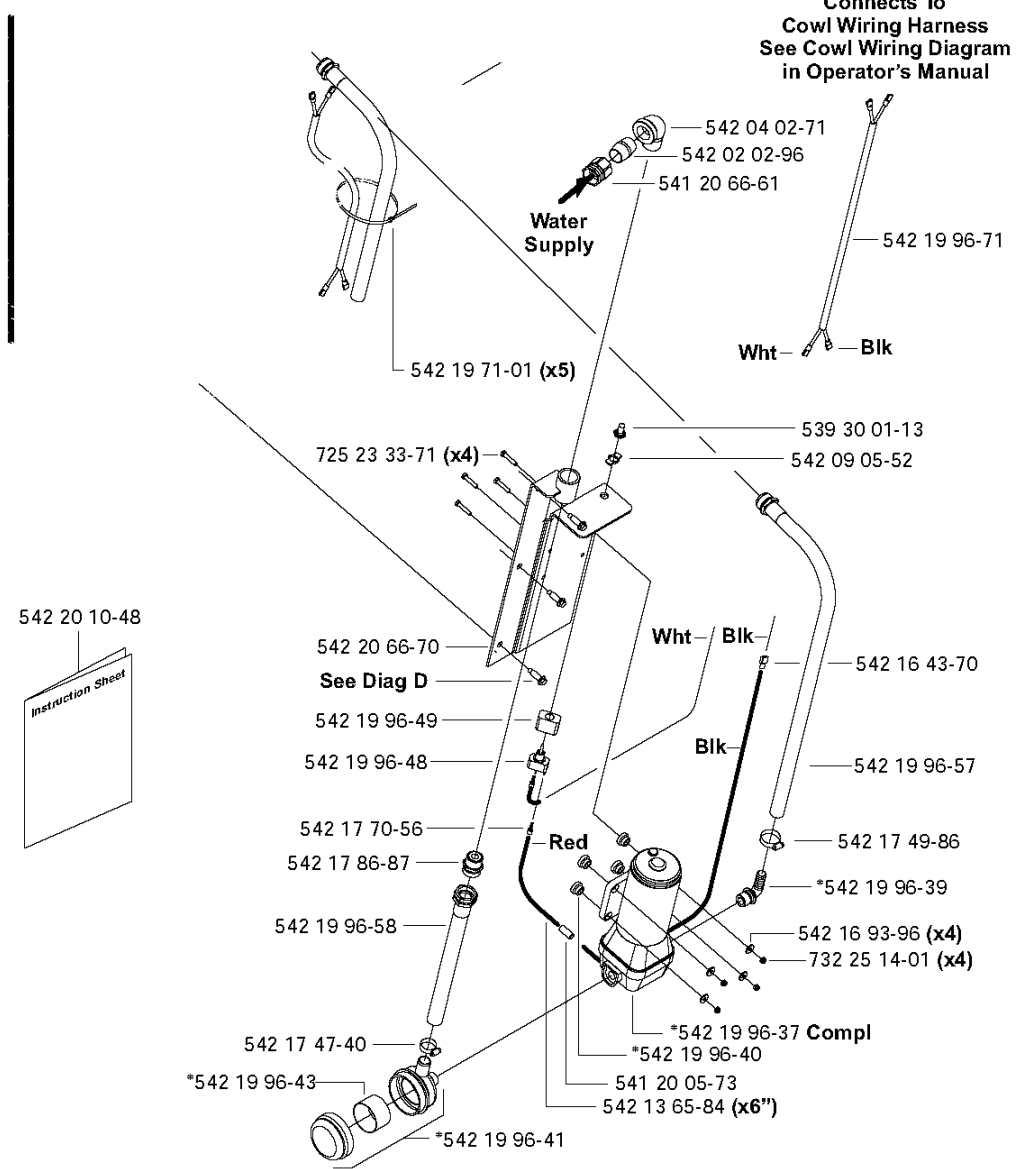
Compl Kit - 542 20 66-72



08.15.08

◆ — 542 16 68-55  
See Diag E &  
Main Wiring Diagram  
in Operator's Manual

Connects To  
Cowl Wiring Harness  
See Cowl Wiring Diagram  
in Operator's Manual



## Water Pump Kit

FS4800, 2008-01

| Part No      | Description                       | Remark | QTY KIT |
|--------------|-----------------------------------|--------|---------|
| 539 30 01-13 | SWITCH BOOT, GREY                 |        | 1       |
| 541 20 05-73 | TERM.. BUTT SPLICE. 14 GA.        |        | 1       |
| 541206661    | TBD                               |        | 1       |
| 542 02 02-96 | FS900T TUBE FILETE/               |        | 1       |
| 542 04 02-71 | HOSE FITTING FEMALE /COPPER       |        | 1       |
| 542 09 05-52 | PLATE                             |        | 1       |
| 542 13 65-84 | WIRE                              |        | 1       |
| 542 16 43-70 | CABLE SHOE                        |        | 1       |
| 542 16 68-55 | FUSE                              |        | 1       |
| 542 16 93-96 | WASHER                            |        | 1       |
| 542 17 47-40 | SCHLAUCHKLEMME                    |        | 1       |
| 542 17 49-86 | SCHLAUCHKLEMME SAE12              |        | 1       |
| 542 17 70-56 | REIHENKLEMME 1/4"                 |        | 1       |
| 542 17 86-87 | ANSCHLUSSSTUTZEN 3/4 MGH X 3/4    |        | 1       |
| 542 19 71-01 | CABLE                             |        | 1       |
| 542 19 96-37 | WASSERPUMPE                       |        | 1       |
| 542 19 96-39 | FITTING                           |        | 1       |
| 542 19 96-40 | KIT. GROMMET. WATER PUMP          |        | 1       |
| 542 19 96-41 | EINLAUF FILTER                    |        | 1       |
| 542 19 96-43 | STRAINER SCREEN. W/P INLET FILTER |        | 1       |
| 542 19 96-48 | SWITCH                            |        | 1       |
| 542 19 96-49 | SWITCH                            |        | 1       |
| 542 19 96-57 | HOSE                              |        | 1       |
| 542 19 96-58 | HOSE                              |        | 1       |
| 542 19 96-71 | CABLE                             |        | 1       |
| 542 20 10-48 | INST SHT: WIRING-WATER PUMP KIT   |        | 1       |
| 542 20 66-70 | PLATE. WATER PUMP MOUNT. BLACK    |        | 1       |
| 542 20 66-72 | KIT. WATER PUMP                   |        | 1       |
| 725 23 33-71 | SCREW EHHM                        |        | 1       |
| 732 25 14-01 | HEXAGON LOCKING NUT               |        | 1       |