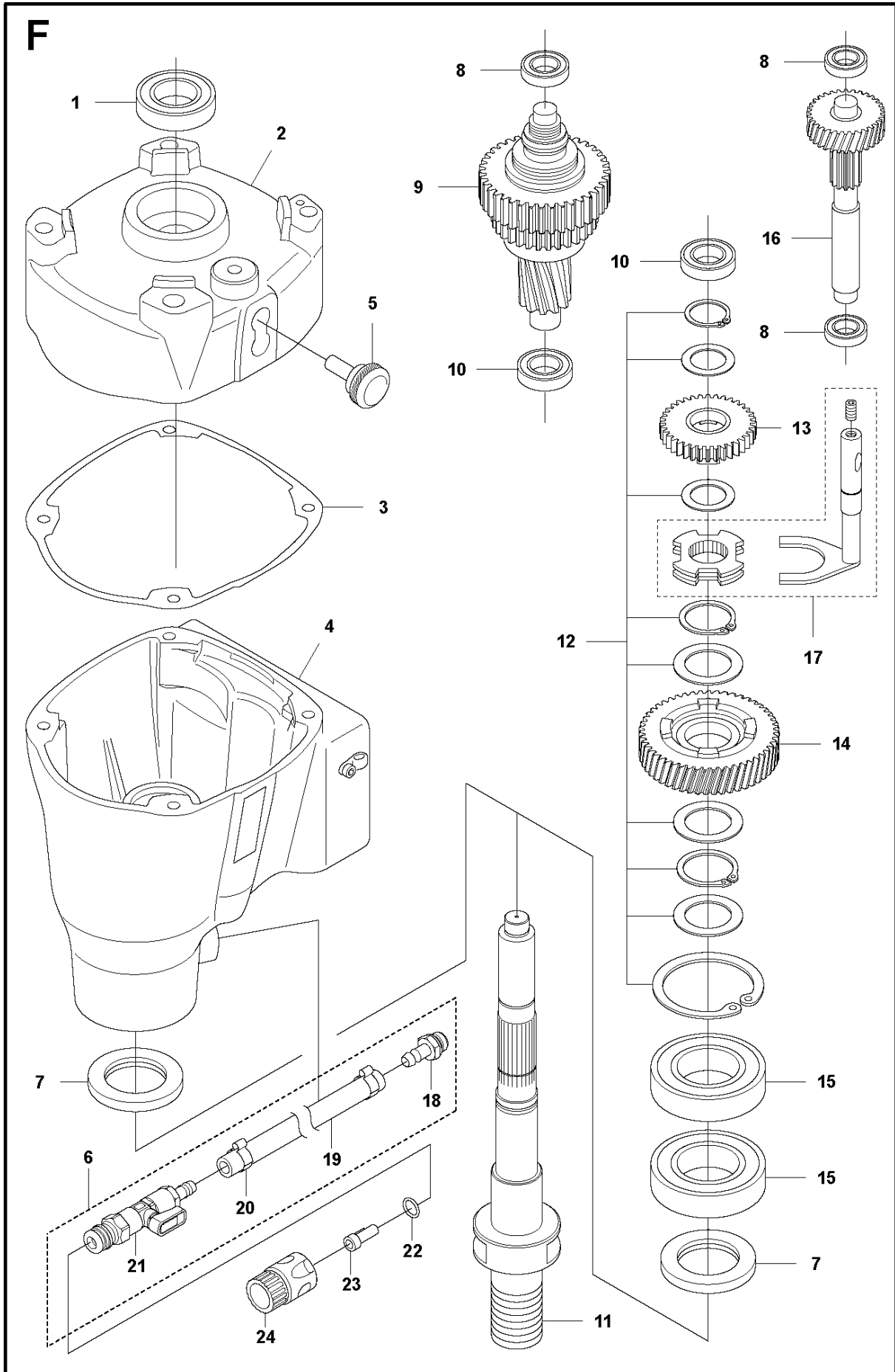




SPARE PARTS LIST

DRILLING EQUIPMENT

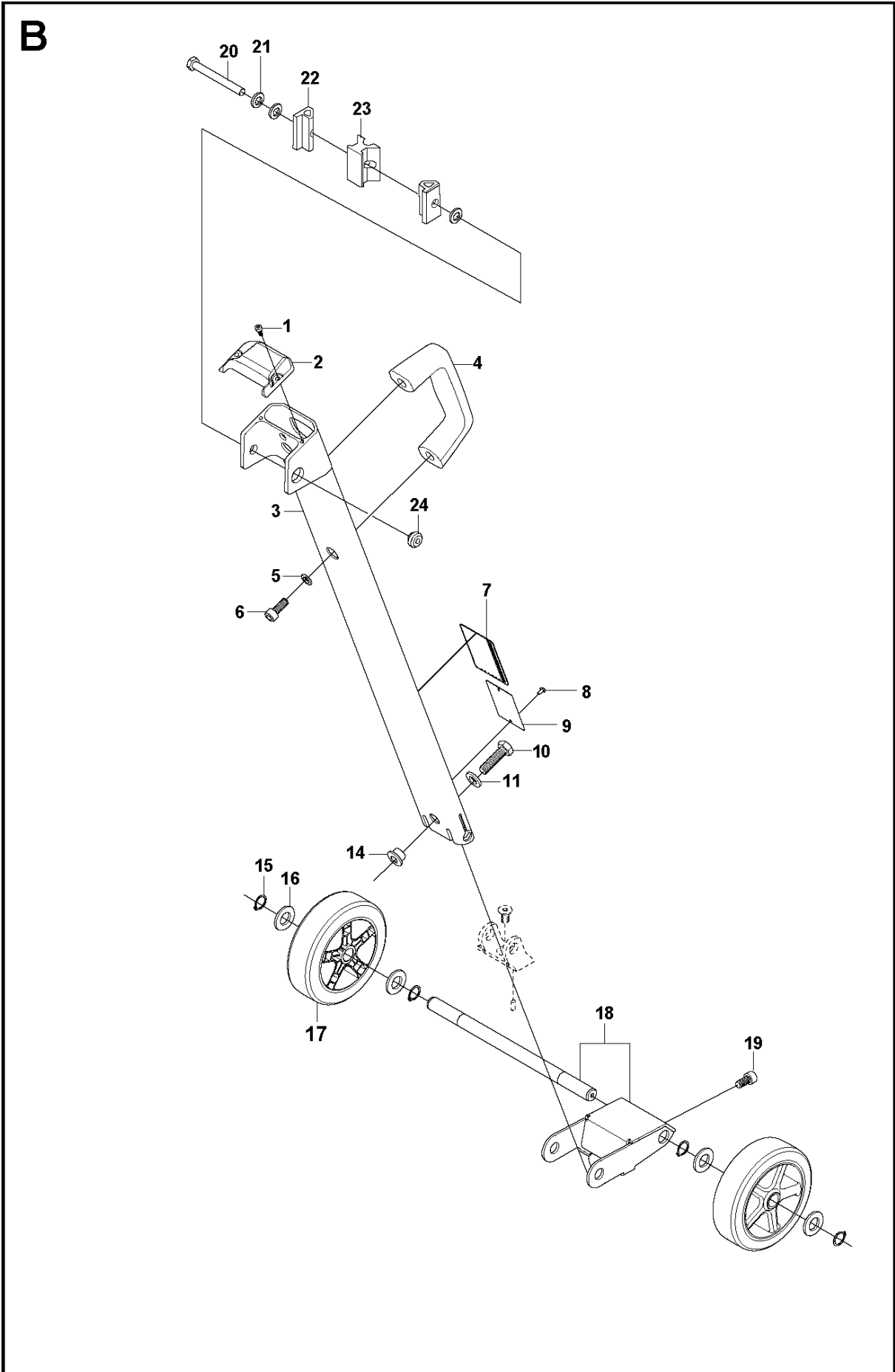
DMS240, 2015-01



GEAR BOX

DMS240, 2015-01

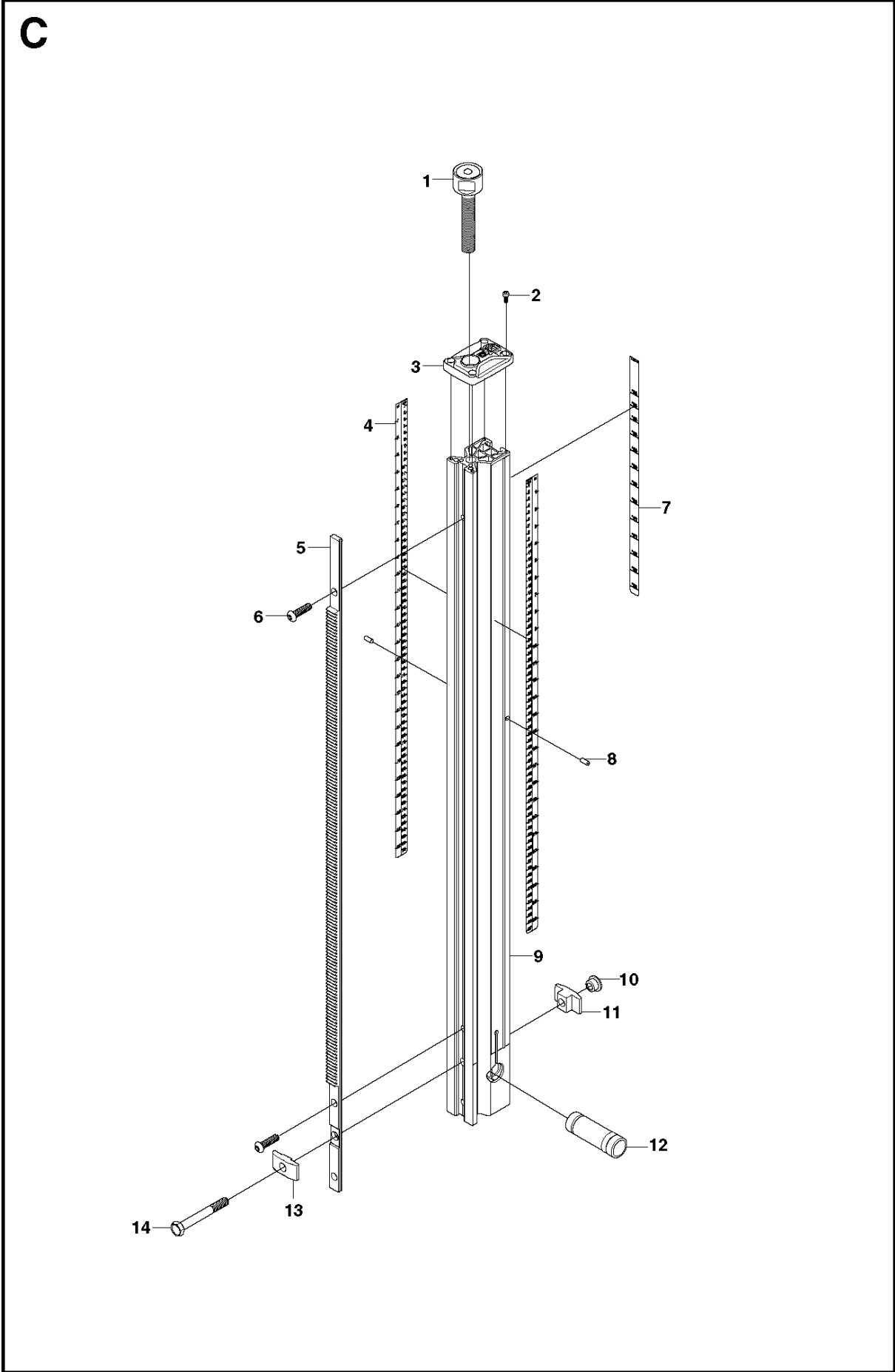
Ref	Part No	Description	Remark	QTY	KIT
1	738 22 02-19	BALL BEARING		1	
2	586 92 60-01	COVER		1	
3	575 29 17-01	SEAL		1	
4	586 92 59-01	GEAR HOUSING		1	
5	521 89 92-01	GEARSHIFT LEVER		1	
6	502 30 44-02	HOSE ASSY		1	
7	586 98 77-01	SEAL		2	
8	738 22 01-19	BALL BEARING		3	
9	525 58 33-01	CLUTCH ASSY		1	
10	738 22 02-19	BALL BEARING		2	
11	586 92 61-01	SPINDLE SHAFT		1	
12	586 92 54-01	KIT		1	
13	586 92 51-01	GEAR WHEEL KIT		1	
14	586 92 52-01	GEAR WHEEL KIT		1	
15	738 22 05-19	BALL BEARING		2	
16	586 92 53-01	SHAFT ASSY		1	
17	586 92 50-01	KIT		1	
18	582 08 63-01	NIPPLE		1	6
19	581 89 36-01	HOSE		1	6
20	576 12 97-01	HOSE CLAMP		1	6
21	587 43 78-02	VALVE ASSY		1	6
22	505 10 35-01	O-RING		1	
23	589 78 07-01	STRAINER		1	
24	503 26 60-03	COUPLER	US	1	
24	503 26 60-04	COUPLER		1	



BACK SUPPORT

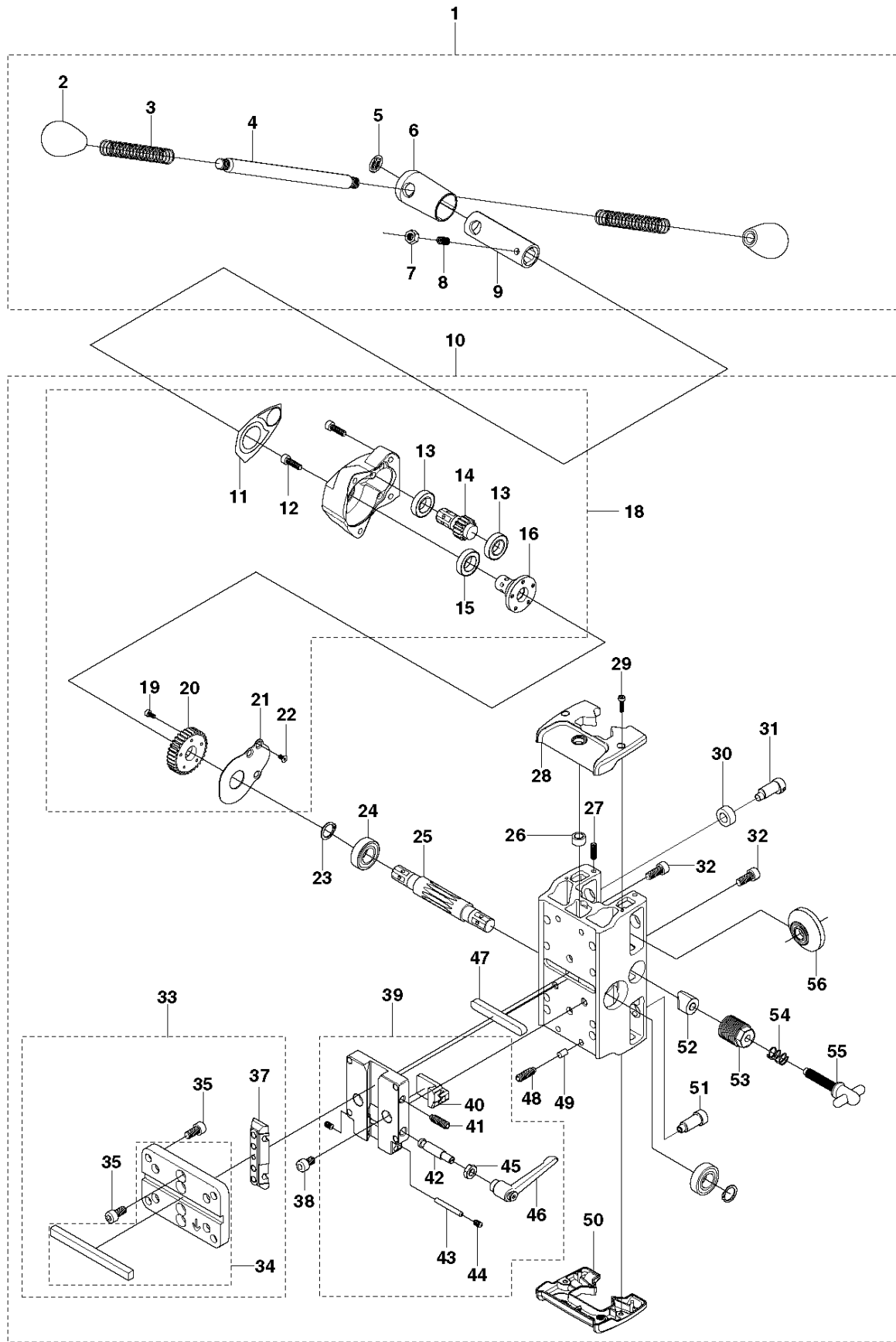
DMS240, 2015-01

Ref	Part No	Description	Remark	QTY KIT
1	593 57 16-01	SCREW		2
2	541 40 48-99	GUARD		1
3	541 40 48-83	SUPPORT		1
4	541 40 49-09	HANDLE		1
5	734 11 63-01	WASHER		2
6	593 33 38-01	SCREW		2
7	541 40 40-98	DRILL		1
8	722 78 25-03	RIVET		2
9	541 40 51-67	PLATE		1
10	725 24 97-71	SCREW EHHM		1
11	734 11 72-01	WASHER		1
12	541 40 48-27	BUSHING		2
13	725 25 09-51	SCREW EHHM		1
14	541 40 50-67	COLUMN		1
15	735 31 17-00	CIRCLIP		4
16	734 11 82-01	WASHER		4
17	541 40 50-84	WHEEL		2
18	541 40 50-87	WHEEL		1
19	593 33 23-01	SCREW		1
20	725 25 09-51	SCREW EHHM		1
21	734 11 72-01	WASHER		1
22	541 40 48-24	SUPPORT		1
23	541 40 48-22	SUPPORT		1
24	541 40 48-27	BUSHING		1



Ref	Part No	Description	Remark	QTY KIT
1	541 40 48-09	SCREW		1
2	593 57 16-01	SCREW		4
3	541 40 48-68	GUARD		1
4	541 40 40-54	DECAL		2
5	541 40 48-78	RACK		1
6	593 25 01-01	SCREW		3
7	541 40 48-82	DECAL		1
8	720 13 06-50	PARALLEL PIN		2
9	541 40 47-95	COLUMN		1
10	541 40 50-67	COLUMN		1
11	541 40 48-70	COLUMN		1
12	541 40 48-81	COLUMN		1
13	541 40 48-69	COLUMN		1
14	725 25 07-51	SCREW EHHM		1

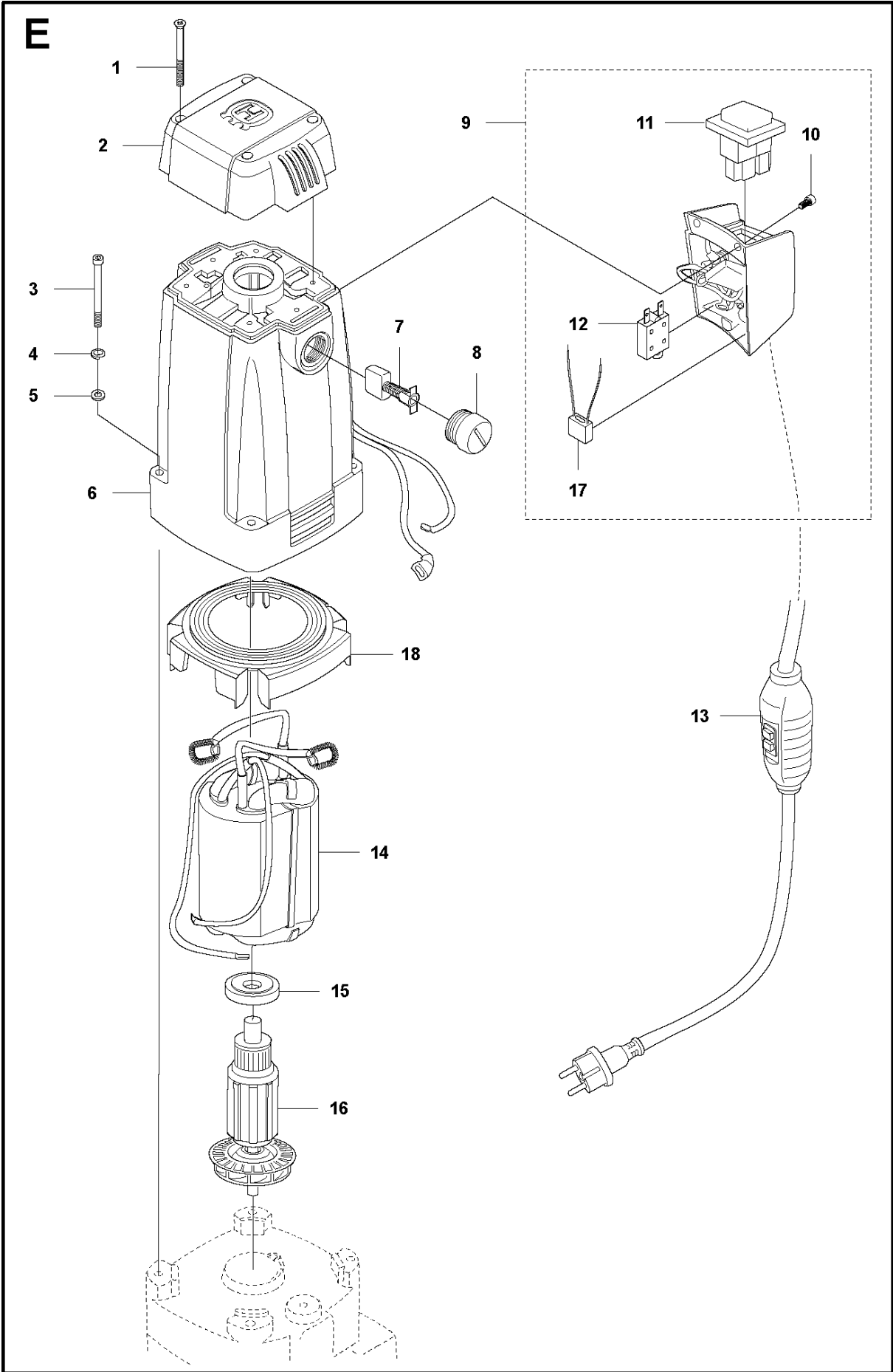
D DMS 240



CARRIAGE

DMS240, 2015-01

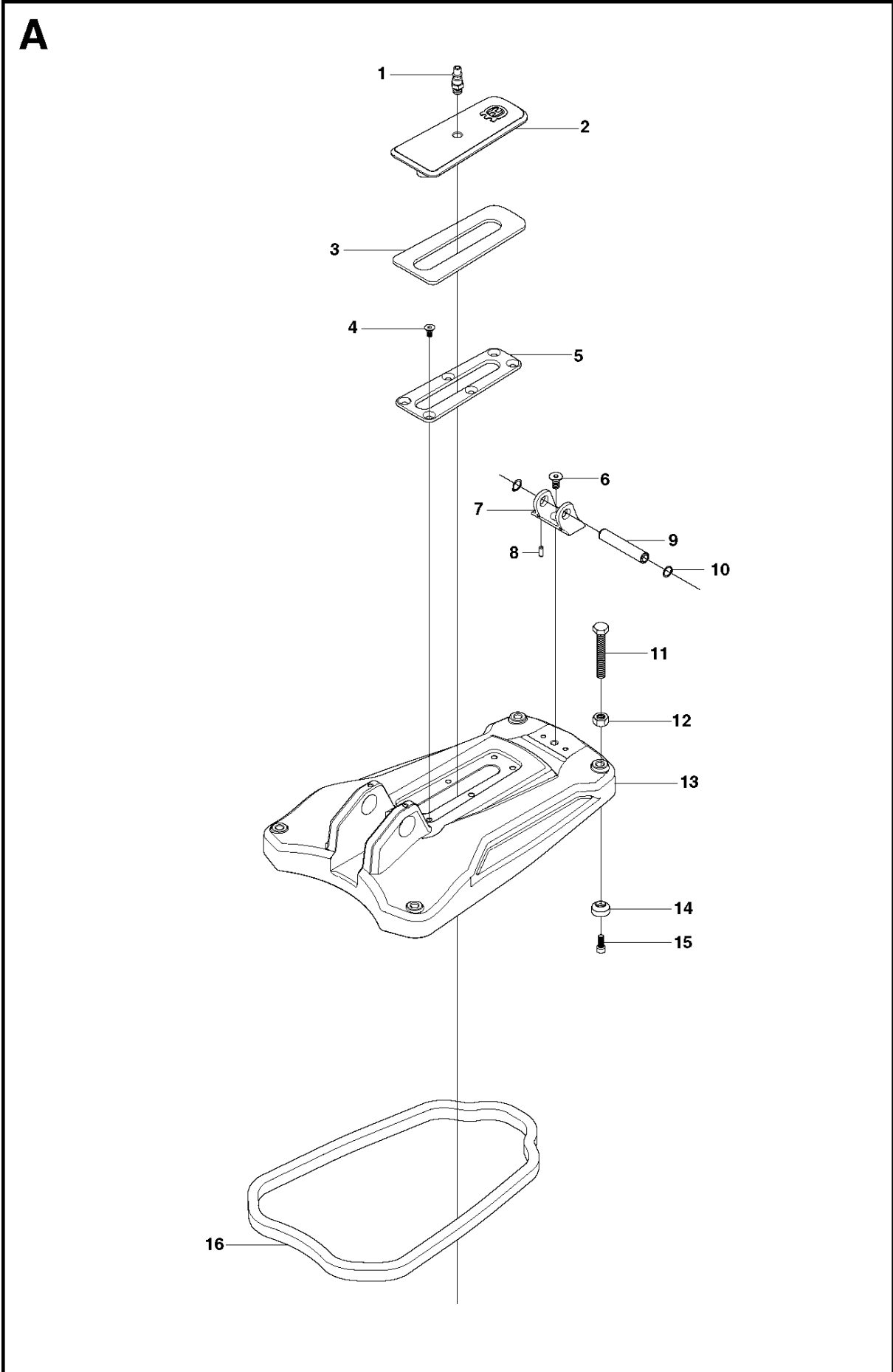
Ref	Part No	Description	Remark	QTY	KIT
1	541 40 41-01	LEVER	Complete	1	
2	531 14 06-72	GRIP		2	1
3	541 40 51-63	SPRING		2	1
4	541 40 49-05	SHAFT		1	1
5	541 40 50-47	DECAL		1	1
6	541 40 51-37	HANDLE		1	1
7	732 21 18-01	LOCK NUT		1	1
8	541 40 41-33	BALL		1	1
9	541 40 40-44	SHAFT		1	1
10	579 24 30-01	CARRIAGE	Not for Single Speed	1	1
11	541 40 49-35	DECAL		1	10,18
12	725 53 72-01	SCREW IHSCM		5	10,18
13	541 40 49-10	BEARING		2	10,18
14	541 40 49-11	MODULE		1	10,18
15	522 80 56-01	BALL BEARING		1	10,18
16	541 40 49-13	SHAFT		1	10,18
18	579 24 29-01	GEAR WHEEL KIT	Not for Single Speed	1	10
19	725 52 87-01	SCREW IHSCM		5	10,18
20	541 40 49-12	MODULE		1	10,18
21	541 40 49-28	COVER PLATE		1	10,18
22	725 62 87-01	SCREW IHCSFM		3	10,18
23	735 31 19-00	CIRCLIP		2	10
24	738 21 03-04	BALL BEARING		2	10
25	541 40 48-06	CARRIAGE		1	10
26	541 40 50-36	LEVEL		1	10
27	593 57 44-01	SCREW		4	10
28	541 40 48-00	GUARD		1	10
29	725 52 93-01	SCREW IHSCM		4	10
30	541 40 48-03	ECCENTRIC BUSHING		4	10
31	541 40 48-05	ECCENTRIC DISC		2	10
32	593 33 38-01	SCREW		2	10
33	575 84 83-01	BRACKET		1	10
34	590 49 47-01	PLATE		1	10,33
35	593 33 23-01	SCREW		16	10,33
37	525 54 07-01	WEDGE		1	10,33
38	593 33 33-01	SCREW		2	10
39	577 95 06-01	BRACKET		1	10
40	577 83 62-01	LOCK		1	10,39
41	728 74 55-06	SCREW IHSETM		1	10,39
42	577 83 61-01	BOLT		1	10,39
43	510 20 27-01	PIN		1	10,39
44	593 57 47-01	SCREW		2	10,39
45	731 43 18-01	HEXAGON THIN NUT		1	10,39
46	543 85 02-16	INDEXABLE HANDLE, NUT M8		1	10,39
47	541 40 40-31	KEY		1	10
48	593 57 42-01	SCREW		4	10
49	541 40 40-32	GUIDE		4	10
50	541 40 48-62	GUARD		1	10
51	541 40 48-04	SHAFT		2	10
52	579 27 01-01	KIT		1	10
53	541 40 48-64	BRAKE		1	10
54	541 40 50-43	SPRING		1	10
55	541 40 48-16	BRAKE		1	10
56	541 40 48-96	ROLLER		4	10



MOTOR

DMS240, 2015-01

Ref	Part No	Description	Remark	QTY	KIT
1	724 33 05-55	SCREW CRCSFM		4	
2	521 89 84-01	MOTOR COVER		1	
3	725 53 88-55	SCREW IHSCM		4	
4	521 89 85-01	LOCKWASHER		4	
5	734 11 52-01	WASHER		4	
6	521 89 86-01	MOTOR HOUSING		1	
7	505 35 28-01	BRUSH		2	
8	521 89 87-01	COVER		2	
9	586 92 57-01	ELECTRONIC BOX	230 V	1	
9	586 92 58-01	ELECTRONIC BOX	110 V	1	
10	723 22 85-31	SCREW SLPANM		2	9
11	521 89 88-01	SWITCH	110 V	1	9
11	522 80 78-01	MAIN SWITCH	230 V	1	9
12	522 81 11-02	SWITCH	For 230 V only	1	9
13	505 35 29-01	CABLE	EU	1	9
13	505 35 29-02	CABLE	US, PRCD NOT INCLUDED	1	9
13	505 35 29-03	CABLE	CN	1	9
13	505 35 29-04	CABLE	UK, PRCD NOT INCLUDED	1	9
13	505 35 29-05	CABLE	AUS	1	9
13	582 38 21-01	CABLE ASSY	US, PMCD included	1	
14	521 89 89-01	STATOR	110 V	1	
14	522 80 79-01	STATOR	230 V	1	
15	738 22 00-19	BALL BEARING		1	
16	521 89 91-01	ROTOR	110 V	1	
16	522 80 80-01	ROTOR	230 V	1	
17	586 92 55-01	CAPACITOR	230 V	1	
17	586 92 56-01	CAPACITOR	110 V	1	
18	582 66 13-01	AIR CONDUCTOR		1	



BASE PLATE

DMS240, 2015-01

Ref	Part No	Description	Remark	QTY KIT
1	541 40 40-71	NIPPLE		1
2	541 40 49-04	COVER KIT		1
3	541 40 49-03	GASKET		1
4	593 33 17-01	SCREW		6
5	541 40 48-92	GUARD		1
6	593 33 20-01	SCREW		1
7	541 40 48-87	BASE		1
8	720 13 06-50	PARALLEL PIN		4
9	541 40 50-88	PIVOT	Used with wheel kit	1
10	735 31 15-00	CIRCLIP		4
11	541 40 40-80	SCREW		4
12	731 23 20-01	HEXAGON NUT		4
13	541 40 48-61	BASE		1
14	541 40 40-84	CAP		4
15	593 57 10-01	SCREW		4
16	578 93 21-01	GASKET		1