

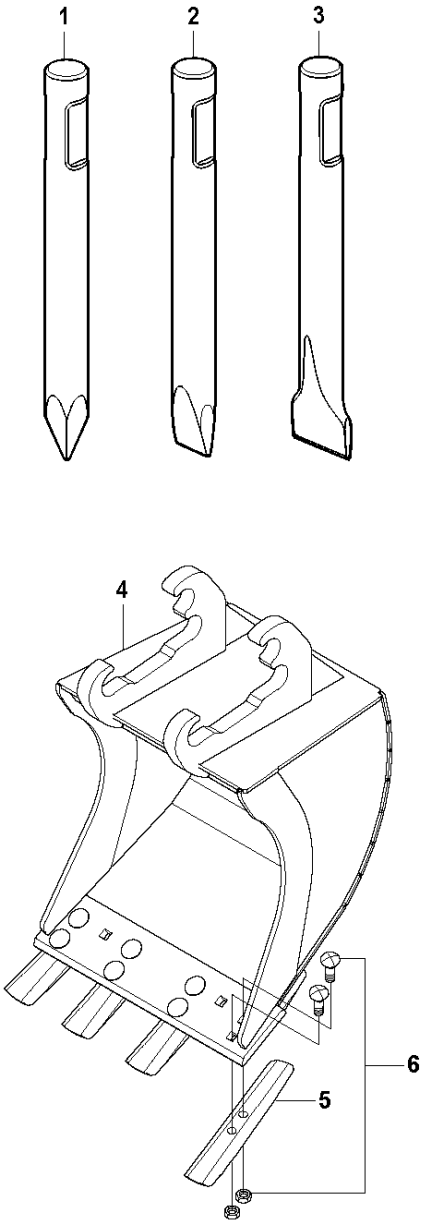


SPARE PARTS LIST

DEMOLITION ROBOTS

DXR310, Valid for machine 43, 2010-09

J DXR
ACCESSORIES

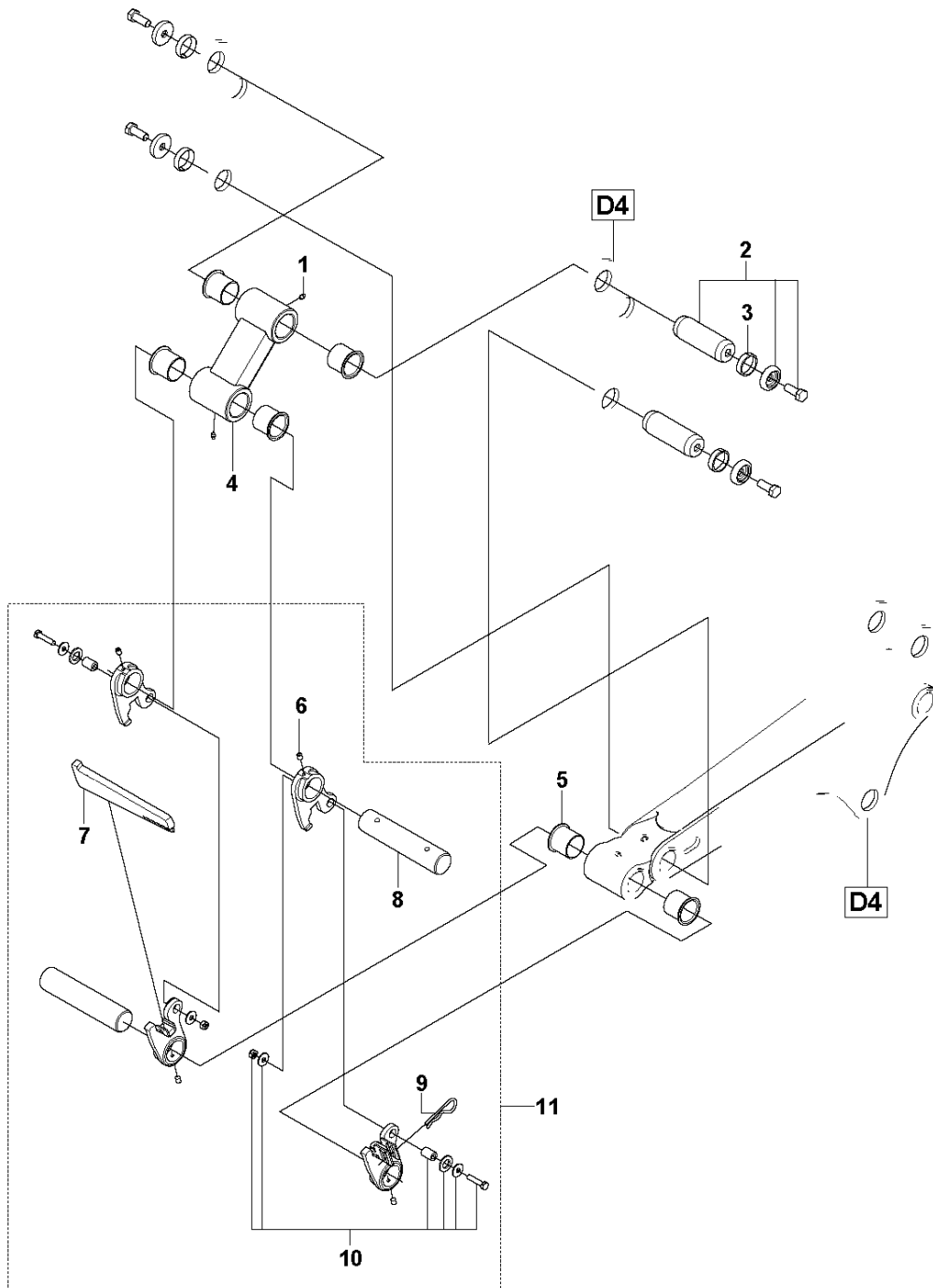
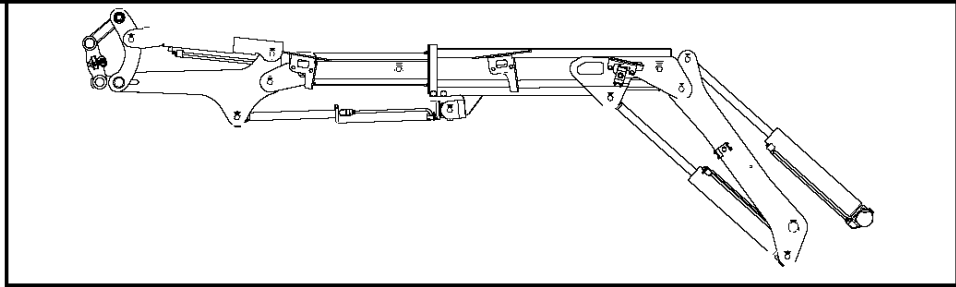


ACCESSORIES

DXR310, Valid for machine 43, 2010-09

Ref	Part No	Description	Remark	QTY KIT
1	522 86 95-01	TOOL		1
2	522 86 95-02	TOOL		1
3	522 86 95-03	TOOL		1
4	522 84 49-01	BUCKET		1
5	576 70 33-01	TOOTH		1
6	576 70 34-01	KIT		2

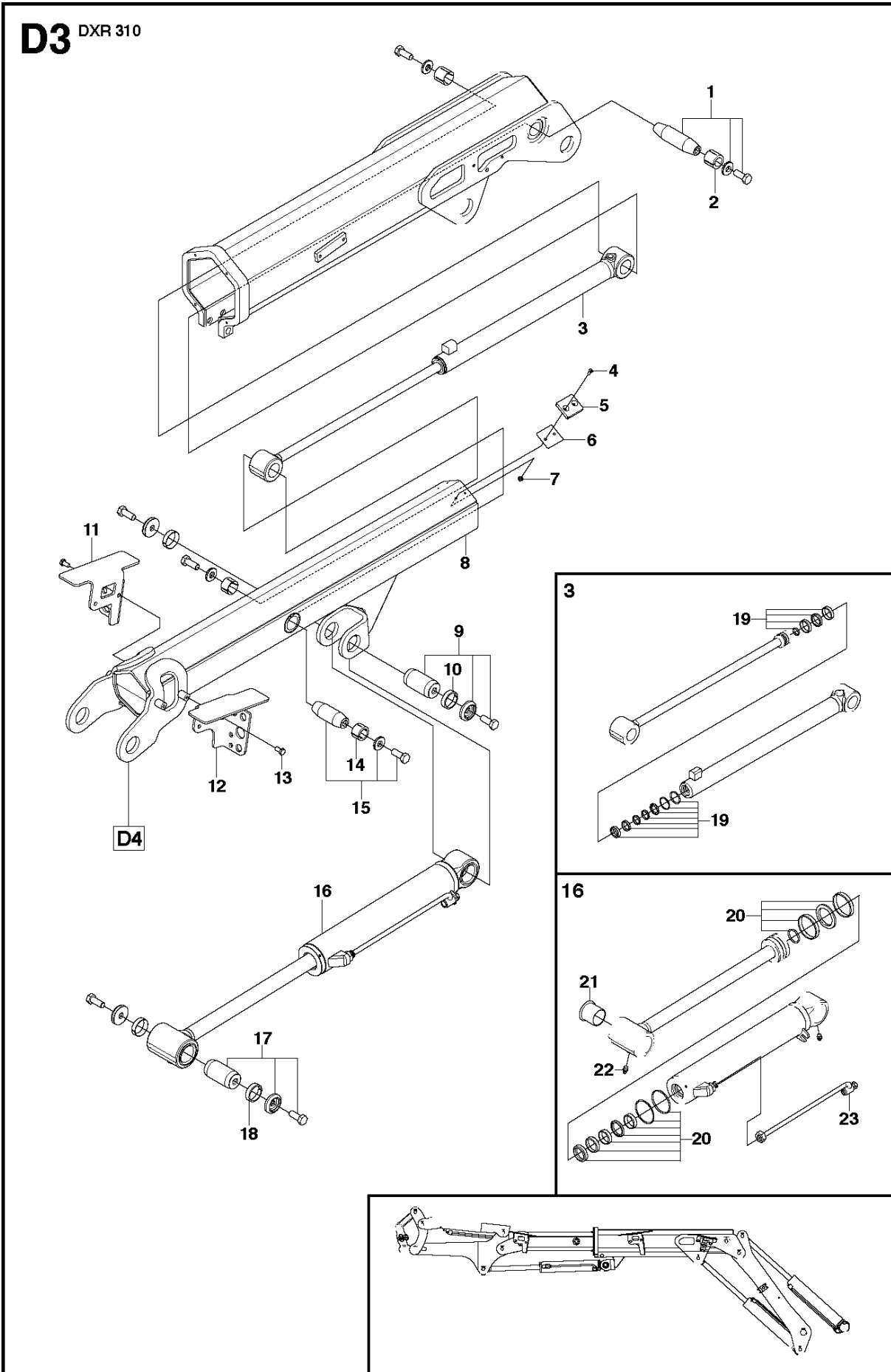
D5 DXR 310



ARM

DXR310, Valid for machine 43, 2010-09

Ref	Part No	Description	Remark	QTY KIT
1	504 89 53-01	LUBRICATION NIPPLE		2
2	504 90 58-01	SHAFT ASSY		1
3	522 84 14-01	SLEEVE		2
4	585 43 40-01	ARM		1
5	504 89 49-01	BEARING BUSH		6
6	522 70 65-01	SCREW IHSETM		4
7	505 32 26-01	WEDGE		1
8	505 56 76-01	SHAFT		1
9	505 32 30-01	CLIP		1
10	574 36 62-01	KIT		1
11	505 32 57-01	HITCH		1

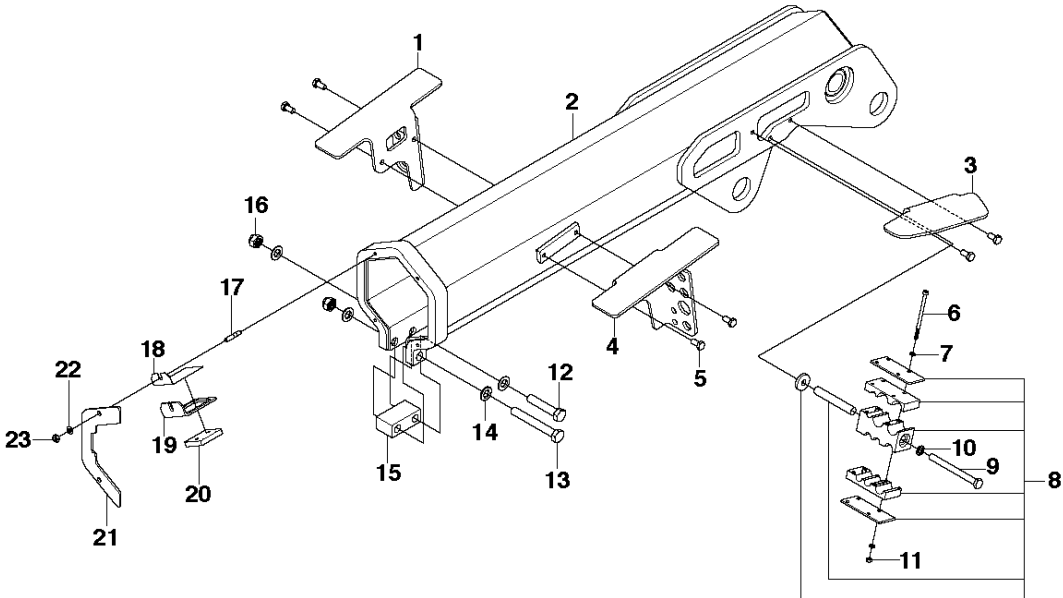
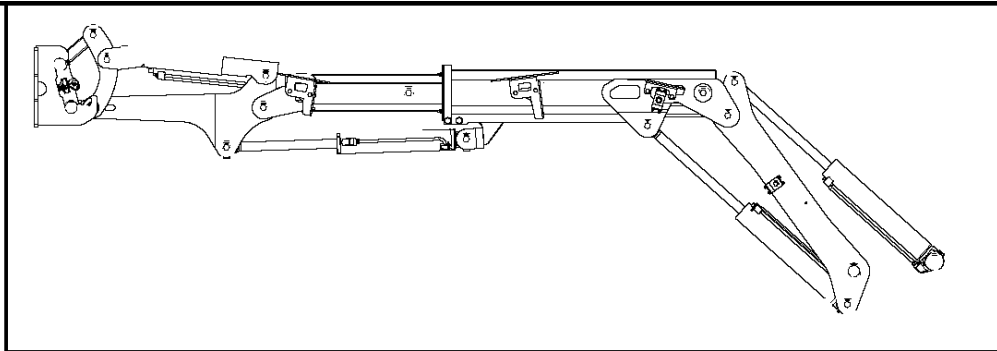


ARM

DXR310, Valid for machine 43, 2010-09

Ref	Part No	Description	Remark	QTY	KIT
1	504 90 26-01	SHAFT ASSY		1	
2	522 84 16-01	SLEEVE		2	
3	521 90 75-01	CYLINDER		1	
4	725 63 72-51	SCREW IHCSFM		8	
5	504 89 72-01	BEARING		2	
6a	504 90 25-01	SPACER			
6b	504 90 25-02	SPACER			
6c	504 90 25-03	SPACER			
6d	504 90 25-06	SPACER			
7	731 43 16-01	HEXAGON THIN NUT		8	
8	504 90 24-01	ARM		1	
9	504 90 64-01	SHAFT ASSY		1	
10	522 84 14-01	SLEEVE		2	
11	505 26 16-01	COVER		1	
12	505 25 77-01	COVER		1	
13	522 70 66-01	SCREW EHHFM		4	
14	522 84 15-01	SLEEVE		2	
15	504 90 27-01	SHAFT ASSY		1	
16	504 90 05-01	CYLINDER ASSY		1	
17	505 24 82-01	SHAFT ASSY		1	
18	522 84 14-01	SLEEVE		2	
19	522 85 75-01	SEAL		1	3
20	522 85 73-01	SEAL		1	16
21	504 89 49-01	BEARING BUSH		2	16
22	504 89 53-01	LUBRICATION NIPPLE		2	16
23	522 91 50-01	HYDRAULIC PIPE		1	16

D2 DXR 310

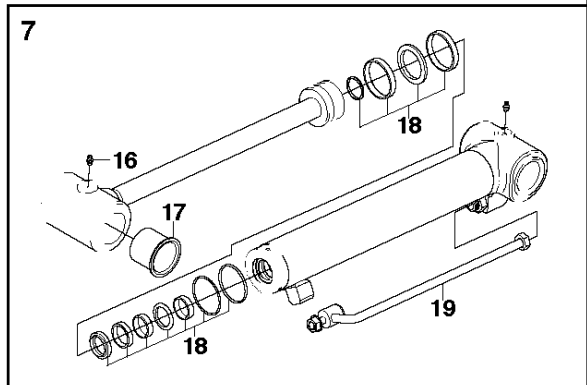
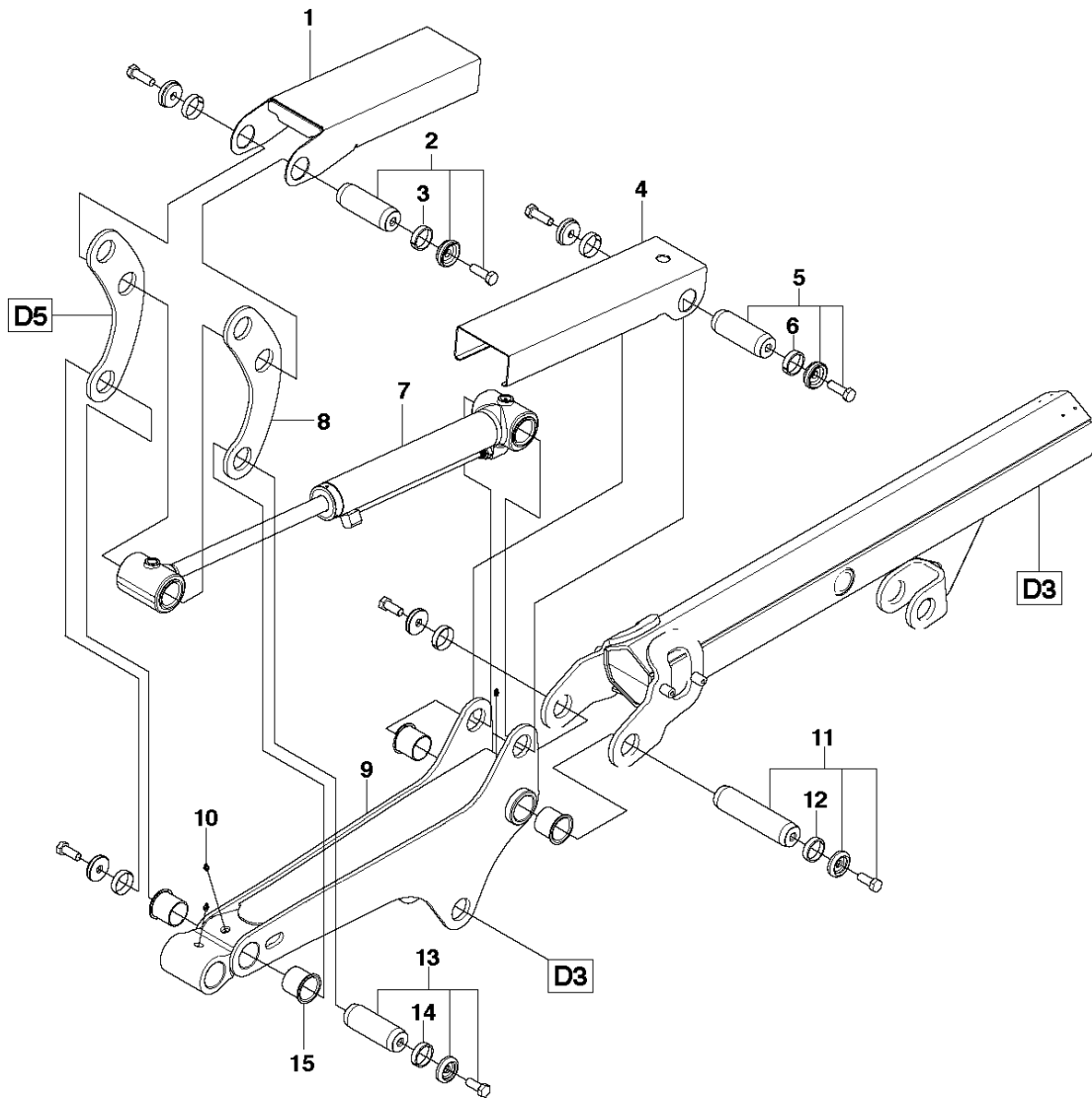
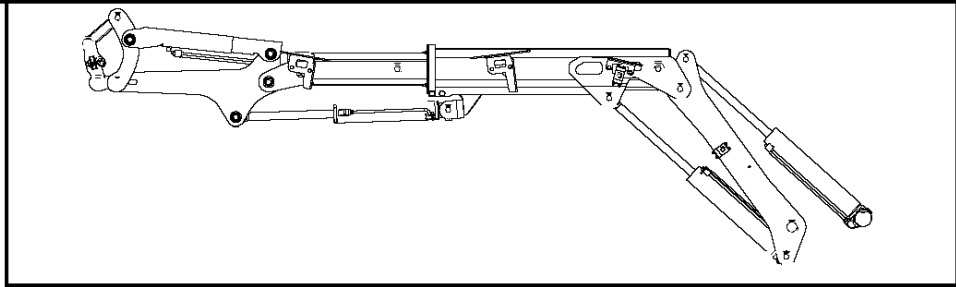


ARM

DXR310, Valid for machine 43, 2010-09

Ref	Part No	Description	Remark	QTY KIT
1	505 06 10-01	COVER		1
2	504 89 01-01	ARM		1
3	505 41 02-01	COVER		10
4	505 41 01-01	COVER		1
5	522 70 66-01	SCREW EHHFM		2
6	522 66 74-01	SCREW IHSCM		8
7	522 67 15-01	WASHER		16
8	505 32 80-01	FITTING		2
9	522 66 77-01	SCREW EHHM		2
10	522 67 18-01	WASHER		2
11	522 66 93-01	LOCK NUT		8
12	522 66 75-01	SCREW EHHM		1
13	522 66 76-01	SCREW EHHM		1
14	522 67 19-01	WASHER		4
15	504 89 64-01	SPACER		1
16	522 66 97-01	LOCK NUT		2
17	522 59 93-01	SCREW		4
18a	504 89 66-01	SPACER		
18b	504 89 66-02	SPACER		
18c	504 89 66-03	SPACER		
18d	504 89 66-04	SPACER		
19	504 89 70-01	BRACKET		1
20	504 89 72-01	BEARING		1
21	504 89 57-01	PLATE		2
22	522 67 16-01	WASHER		4
23	522 66 94-01	LOCK NUT		4

D4 DXR 310

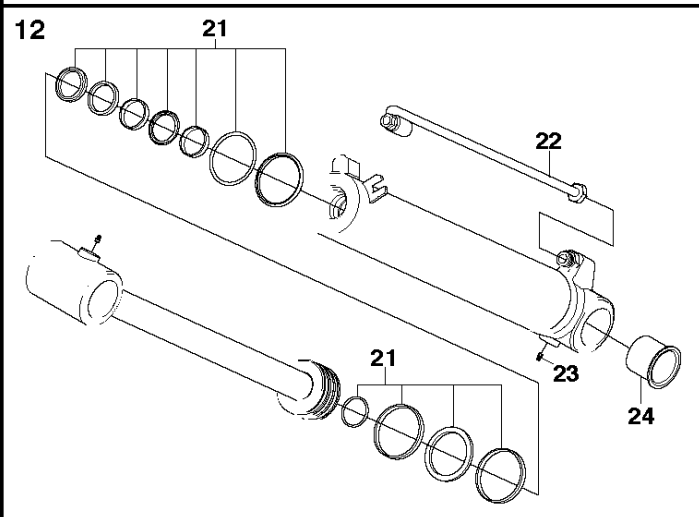
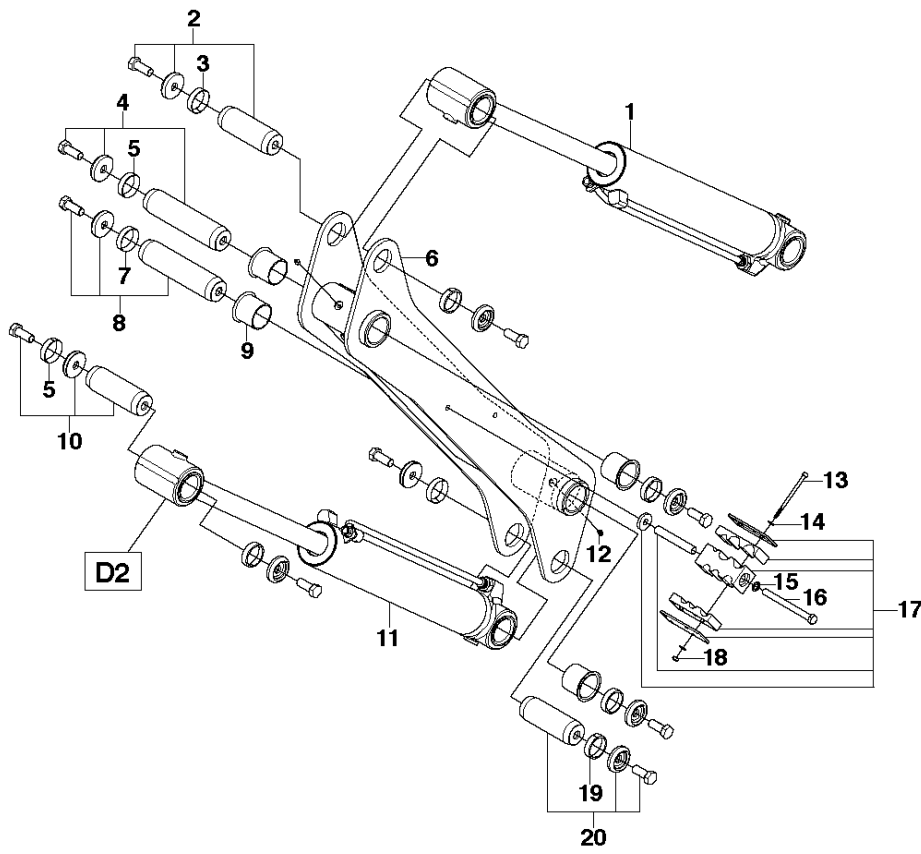
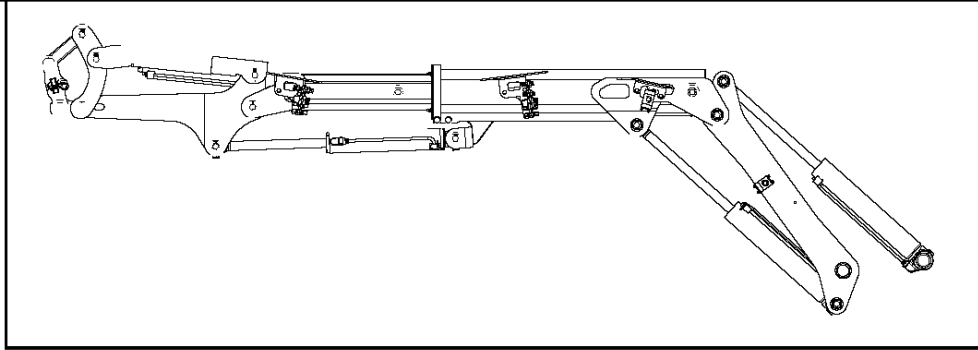


ARM

DXR310, Valid for machine 43, 2010-09

Ref	Part No	Description	Remark	QTY	KIT
1	505 33 37-01	PROTECTION		1	
2	510 16 64-01	SHAFT ASSY		1	
3	522 84 14-01	SLEEVE		2	
4	505 33 40-01	PROTECTION		1	
5	522 85 92-01	SHAFT ASSY		1	
6	522 84 14-01	SLEEVE		2	
7	522 72 29-01	CYLINDER		1	
8	505 33 20-01	PLATE		2	
9	504 89 78-01	ARM		1	
10	504 89 53-01	LUBRICATION NIPPLE		5	
11	504 90 62-01	SHAFT ASSY		1	
12	522 84 14-01	SLEEVE		2	
13	504 90 58-01	SHAFT ASSY		1	
14	522 84 14-01	SLEEVE		2	
15	504 89 49-01	BEARING BUSH		8	
16	504 89 53-01	LUBRICATION NIPPLE		5	7
17	504 89 49-01	BEARING BUSH		8	7
18	522 85 73-01	SEAL		1	7
19	522 91 51-01	HYDRAULIC PIPE		1	7

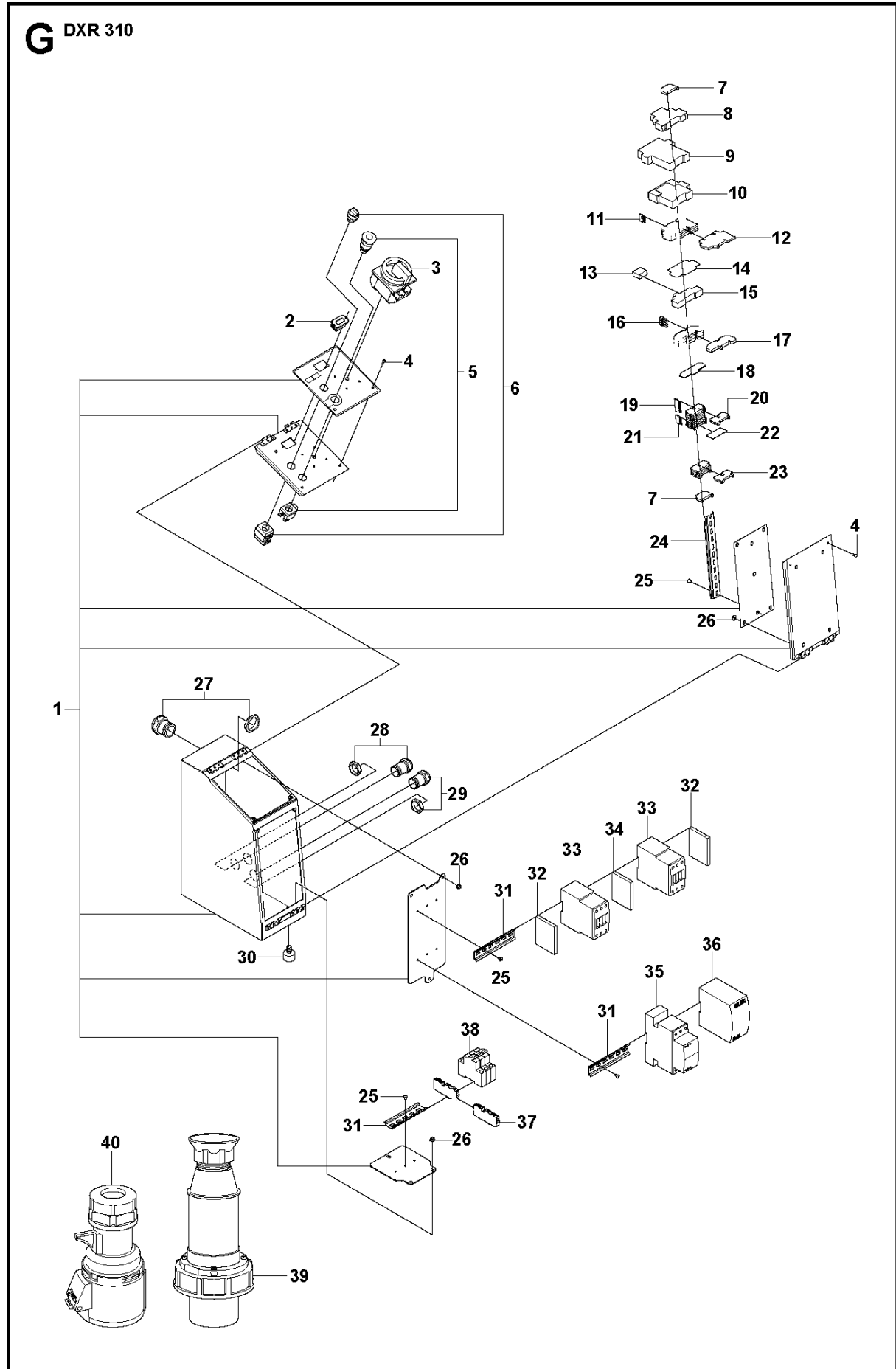
D1 DXR 310



ARM

DXR310, Valid for machine 43, 2010-09

Ref	Part No	Description	Remark	QTY	KIT
1	521 90 66-01	CYLINDER		2	
2	505 24 82-01	SHAFT ASSY		1	
3	522 84 17-01	SLEEVE		2	
4	504 90 62-01	SHAFT ASSY		1	
5	522 84 14-01	SLEEVE		2	
6	504 88 98-01	ARM		1	
7	522 84 17-01	SLEEVE		2	
8	505 31 68-01	SHAFT ASSY		1	
9	504 89 49-01	BEARING BUSH		4	
10	504 90 58-01	SHAFT ASSY		1	
11	521 90 66-01	CYLINDER		2	
12	504 89 53-01	LUBRICATION NIPPLE		2	
13	522 66 74-01	SCREW IHSCM		8	
14	522 67 15-01	WASHER		16	
15	522 67 18-01	WASHER		2	
16	522 66 77-01	SCREW EHHM		2	
17	505 32 80-01	FITTING		2	
18	522 66 93-01	LOCK NUT		8	
19	522 84 14-01	SLEEVE		2	
20	505 24 82-01	SHAFT ASSY		1	
21	522 85 73-01	SEAL		1	11
22	522 91 49-01	HYDRAULIC PIPE		1	11
23	504 89 53-01	LUBRICATION NIPPLE		2	11
24	504 89 49-01	BEARING BUSH		8	11

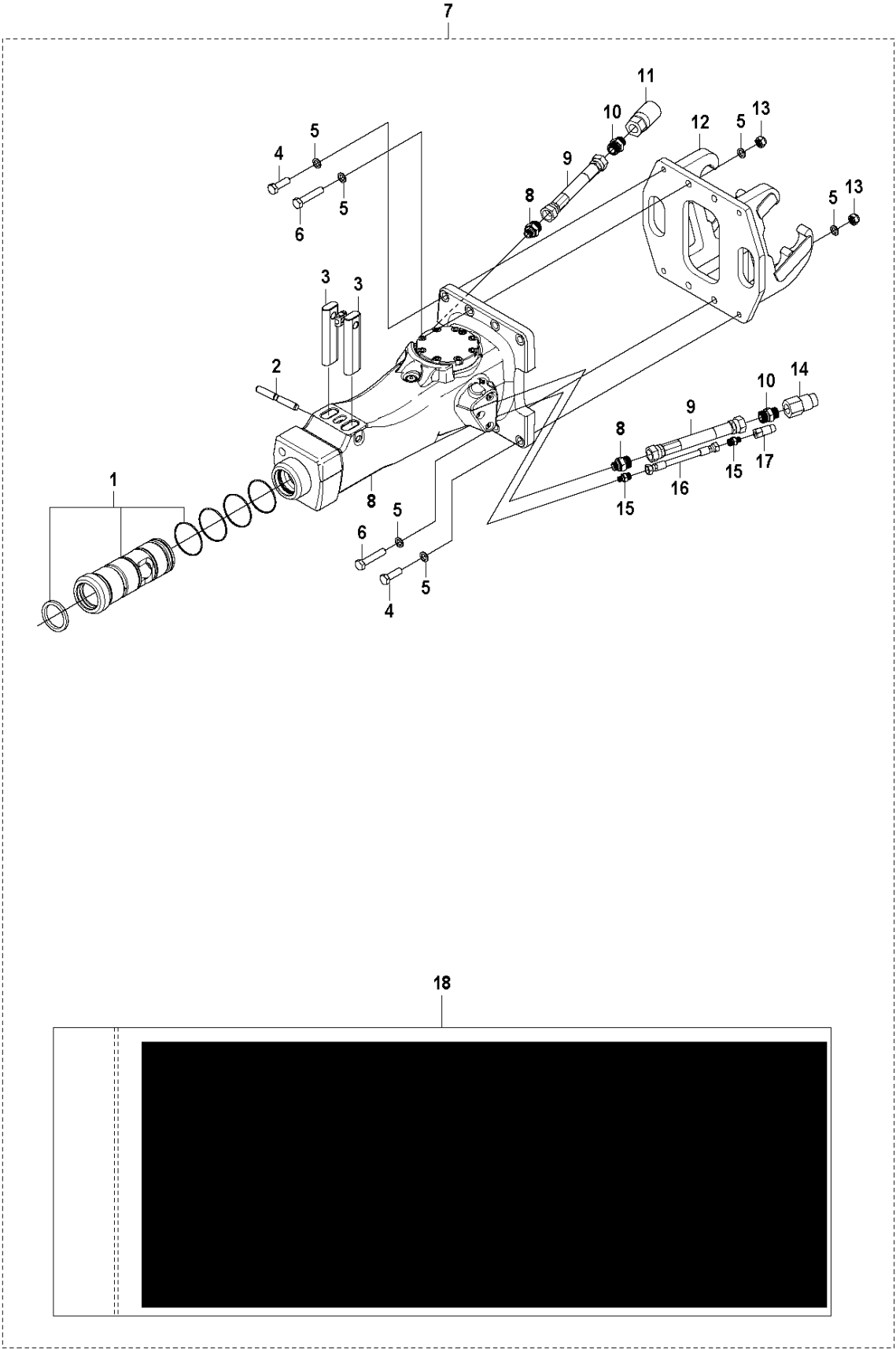


ELECTRICAL

DXR310, Valid for machine 43, 2010-09

Ref	Part No	Description	Remark	QTY KIT
1	584 79 81-01	ELECTRONIC BOX		1
2	510 28 49-01	HOUR METER		1
3	522 87 14-01	MAIN SWITCH		1
4	576 46 77-01	TBD		16
5	510 28 52-01	SWITCH		1
6	575 88 81-01	SWITCH		1
7	522 92 21-01	ACCESSORIES		3
8	575 46 49-01	CONTROL	T3, Fan control relay	1
9	522 91 16-01	RELAY	B1, Safety relay	1
10	522 86 92-01	RELAY	K1, Phase sequence relay	1
11	575 89 44-01	JUMPER		1
12	522 92 25-01	RELAY	K2, K3, K4, K5	4
13	575 88 90-01	RELAY		1
14	575 89 49-01	PLATE		1
15	575 88 91-01	RELAY	K6, Start relay	1
16	575 89 42-01	JUMPER		3
17	522 92 18-01	FUSE HOLDER		4
18	575 89 48-01	PLATE		1
19	575 89 45-01	JUMPER		1
20	575 88 79-01	TERMINAL BLOCK		9
21	575 89 46-01	JUMPER		1
22	522 92 65-01	TERMINAL BLOCK		5
23	575 88 80-01	TERMINAL BLOCK		5
24	523 05 53-01	RAIL		1
25	723 23 23-81	SCREW SLPANM		9
26	503 22 00-06	HEXAGON NUT		10
27	575 88 98-01	CABLE		2
28	523 05 74-01	CABLE		2
29	523 05 73-01	CABLE		1
30	510 28 25-01	DAMPENER		4
31	523 05 53-03	RAIL		3
32	523 04 68-01	RELAY	Auxiliary relay	2
33	523 04 69-01	CONTACTOR		2
34	523 04 70-01	CONNECTION		1
35	522 91 44-01	SOFT STARTER	T2	1
36	505 52 74-01	TRANSFORMER	T1	1
37	523 06 00-01	TERMINAL BLOCK		2
38	522 91 18-01	FUSE		1
39	510 27 77-01	CABLE		1
40	531 11 71-32	SOCKET		1

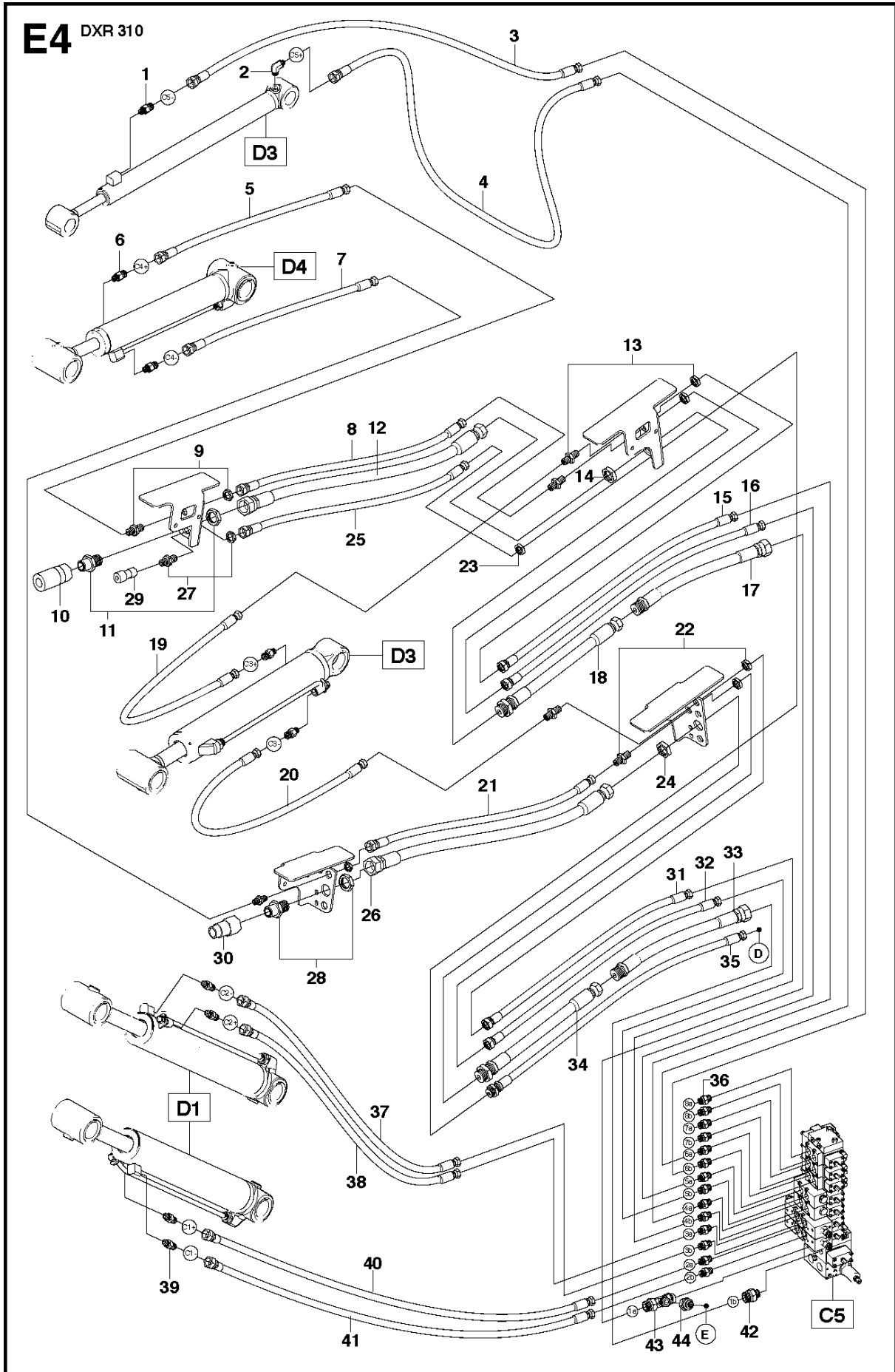
H DXR 310
HAMMER



HAMMER

DXR310, Valid for machine 43, 2010-09

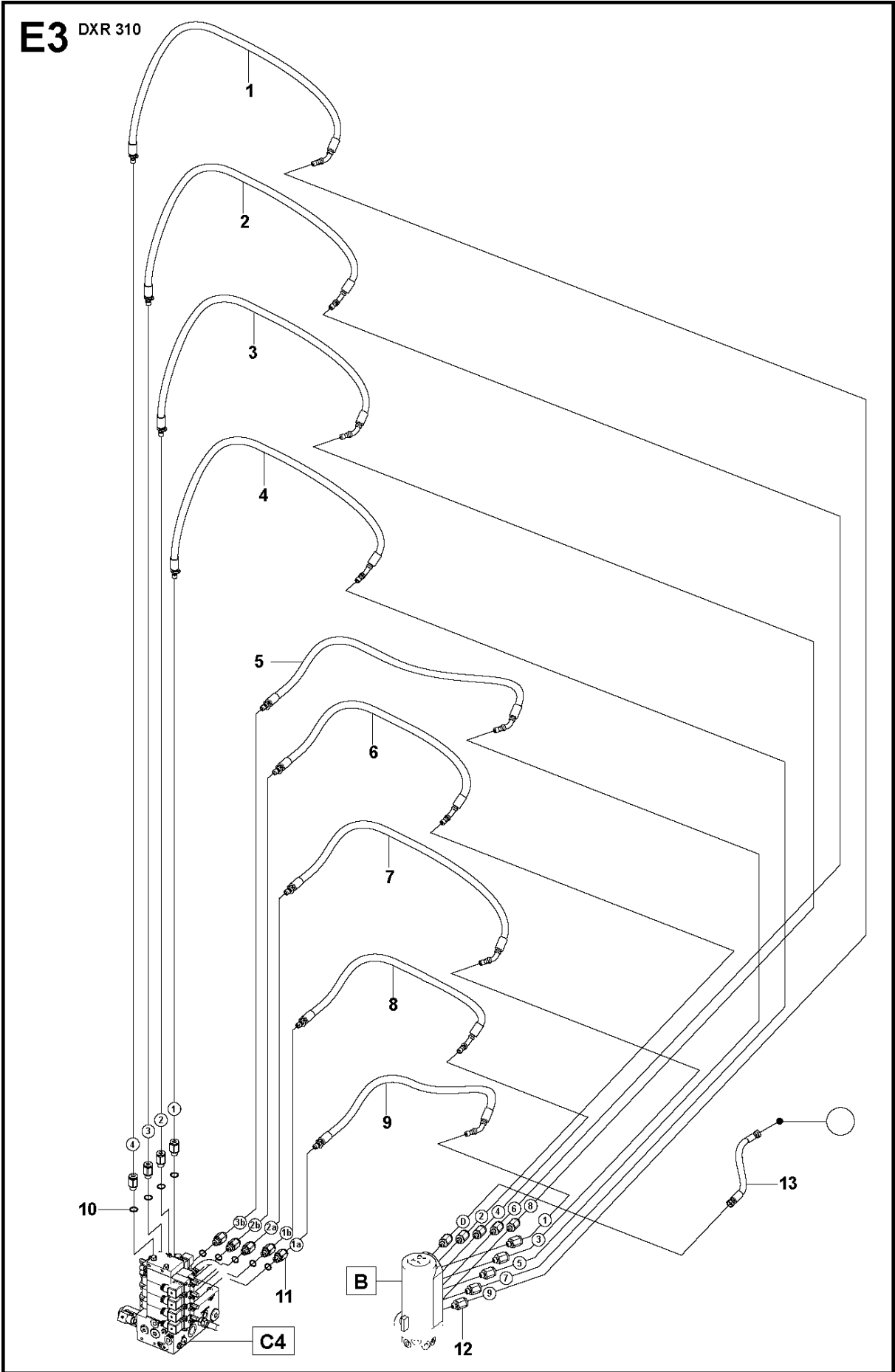
Ref	Part No	Description	Remark	QTY	KIT
1	576 63 68-02	BUSHING		1	7
2	576 63 69-02	PEN		1	7
3	576 63 70-02	RETAINER		2	7
4	522 66 79-01	SCREW EHHM		4	7
5	522 48 73-01	WASHER		12	7
6	522 66 75-01	SCREW EHHM		4	7
7	522 48 24-01	HAMMER		1	
8	510 25 87-01	ADAPTER		2	7
9	510 19 51-02	HOSE ASSY		2	7
10	510 26 46-01	ADAPTER		2	7
11	510 26 81-01	QUICK COUPLING		1	7
12	510 27 37-01	ADAPTER		1	7
13	522 66 97-01	LOCK NUT		4	7
14	510 26 80-01	QUICK COUPLING		1	7
15	505 26 84-01	ADAPTER		2	7
16	510 17 44-07	HOSE ASSY		1	7
17	510 26 78-01	QUICK COUPLING		1	7
18	576 63 71-02	SEAL		1	7



HYDRAULIC HOSES ARM

DXR310, Valid for machine 43, 2010-09

Ref	Part No	Description	Remark	QTY KIT
1	510 24 58-01	ADAPTER		19
2	521 89 27-01	ADAPTER		1
3	510 17 44-05	HOSE ASSY		1
4	510 17 44-06	HOSE ASSY		1
5	510 06 97-07	HOSE ASSY		2
6	510 24 58-01	ADAPTER		19
7	510 06 97-07	HOSE ASSY		1
8	510 06 97-06	HOSE ASSY		2
9	505 15 97-01	ADAPTER		6
10	510 26 81-01	QUICK COUPLING		1
11	510 25 84-01	ADAPTER		2
12	510 19 51-01	HOSE ASSY		2
13	505 15 97-01	ADAPTER		6
14	522 44 73-01	NUT		2
15	510 06 97-03	HOSE ASSY		4
16	510 06 97-03	HOSE ASSY		4
17	510 19 51-05	HOSE ASSY		1
18	523 00 03-02	HOSE ASSY		1
19	510 06 97-05	HOSE ASSY		2
20	510 06 97-05	HOSE ASSY		2
21	510 06 97-06	HOSE ASSY		2
22	505 15 97-01	ADAPTER		6
23	522 44 71-01	NUT		1
24	522 44 73-01	NUT		2
25	510 25 18-01	HOSE ASSY		1
26	510 19 51-01	HOSE ASSY		2
27	510 25 79-01	ADAPTER		1
28	510 25 84-01	ADAPTER		2
29	510 26 79-01	QUICK COUPLING		1
30	510 26 80-01	QUICK COUPLING		1
31	510 06 97-03	HOSE ASSY		4
32	510 06 97-03	HOSE ASSY		4
33	522 99 96-01	HOSE ASSY		1
34	523 00 03-01	HOSE ASSY		1
35	510 27 82-01	HOSE ASSY		1
36	510 24 58-01	ADAPTER		19
37	510 06 97-02	HOSE ASSY		2
38	510 06 97-02	HOSE ASSY		2
39	510 24 58-01	ADAPTER		19
40	510 06 97-01	HOSE ASSY		2
41	510 06 97-01	HOSE ASSY		2
42	510 25 87-01	ADAPTER		1
43	522 83 74-01	ADAPTER		1
44	522 61 36-01	ADAPTER		1

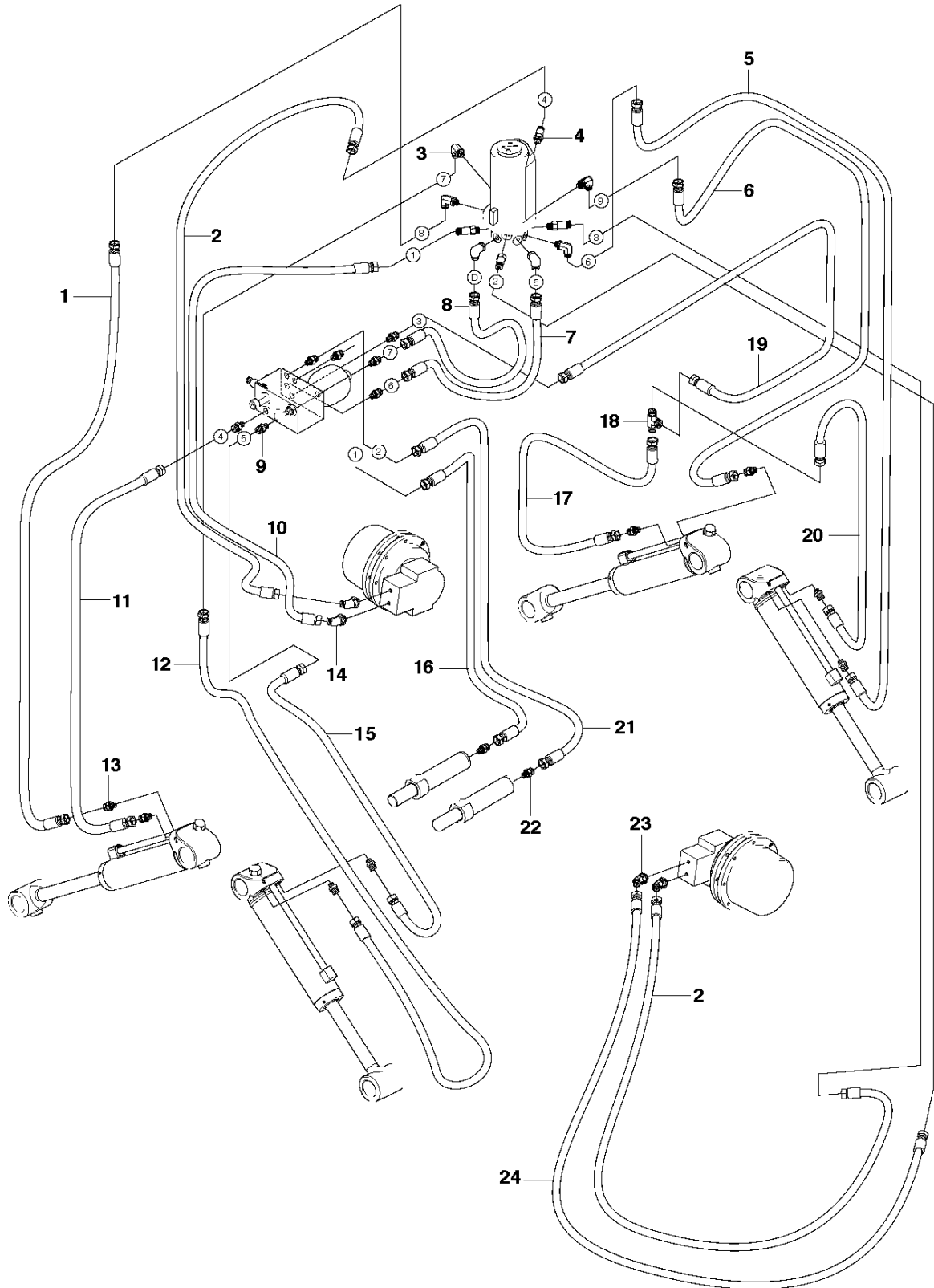


HYDRAULIC HOSES UNDER CARRIAGE

DXR310, Valid for machine 43, 2010-09

Ref	Part No	Description	Remark	QTY KIT
1	510 19 24-03	HOSE ASSY		1
2	510 19 24-04	HOSE ASSY		1
3	510 19 24-07	HOSE ASSY		1
4	510 19 24-02	HOSE ASSY		1
5	510 19 24-01	HOSE ASSY		1
6	510 19 24-10	HOSE ASSY		1
7	510 19 24-08	HOSE ASSY		1
8	510 19 24-09	HOSE ASSY		1
9	510 19 24-06	HOSE ASSY		1
10	510 25 50-01	WASHER		9
11	510 24 89-01	CONNECTION		9
12	505 34 26-01	CONNECTION		10
13	522 67 24-01	HOSE ASSY		1

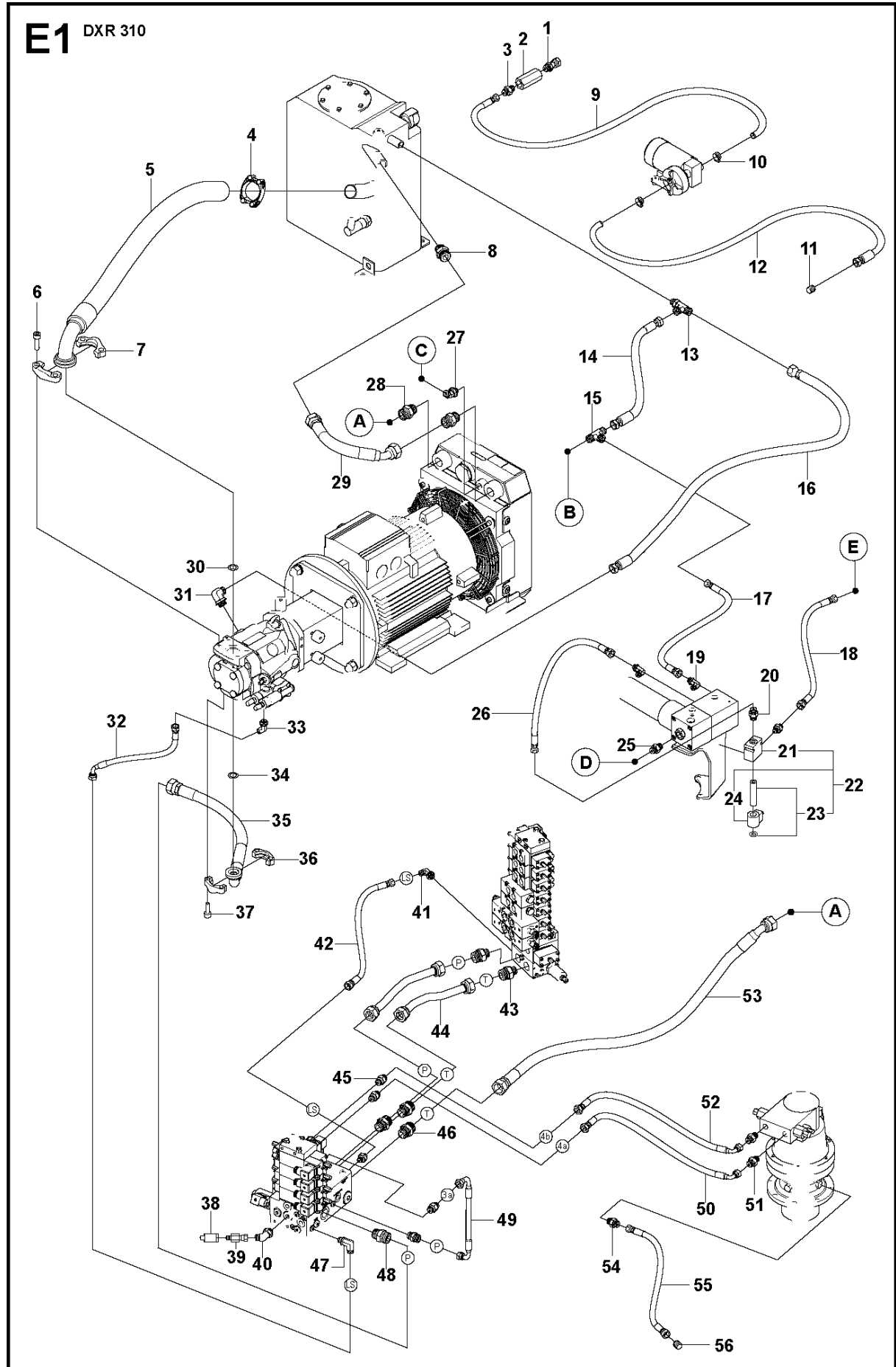
E2 DXR 310



HYDRAULIC HOSES UNDER CARRIAGE

DXR310, Valid for machine 43, 2010-09

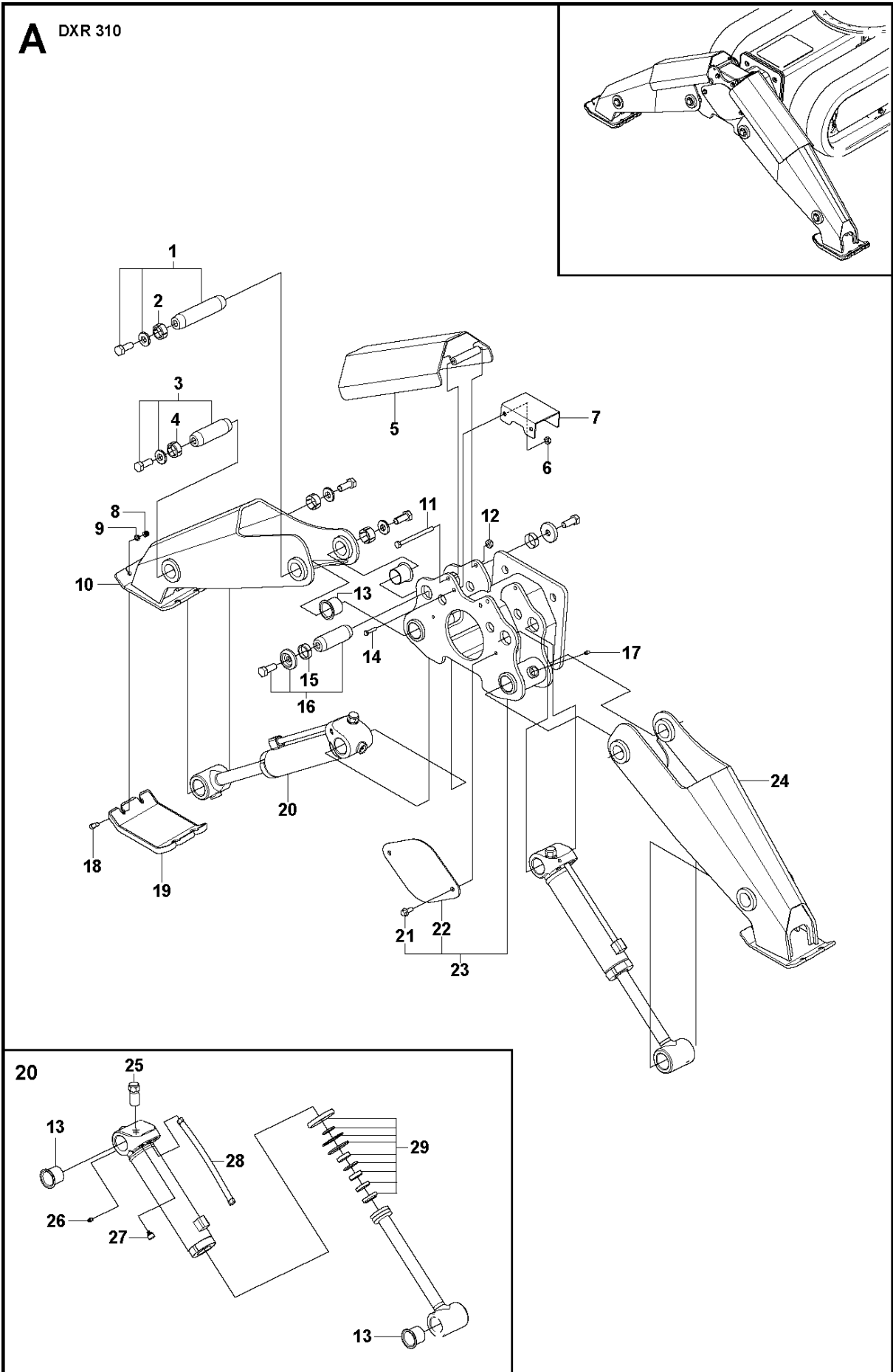
Ref	Part No	Description	Remark	QTY KIT
1	510 22 87-02	HOSE ASSY		5
2	510 17 00-01	HOSE ASSY		4
3	505 34 27-01	ADAPTER		6
4	505 34 29-01	ADAPTER		4
5	510 22 87-02	HOSE ASSY		5
6	510 22 87-02	HOSE ASSY		5
7	510 17 44-03	HOSE ASSY		1
8	510 17 44-02	HOSE ASSY		1
9	510 24 58-01	ADAPTER		8
10	510 17 00-01	HOSE ASSY		4
11	510 22 87-04	HOSE ASSY		2
12	510 22 87-02	HOSE ASSY		5
13	522 73 00-01	ADAPTER		9
14	510 24 72-01	ADAPTER		4
15	510 22 87-04	HOSE ASSY		2
16	510 22 87-01	HOSE ASSY		2
17	510 25 18-03	HOSE ASSY		2
18	510 24 73-01	ADAPTER		1
19	510 22 87-02	HOSE ASSY		5
20	510 25 18-03	HOSE ASSY		2
21	510 22 87-01	HOSE ASSY		2
22	510 24 57-01	ADAPTER		2
23	510 24 72-01	ADAPTER		4
24	510 17 00-01	HOSE ASSY		4



HYDRAULIC HOSES UNDER CARRIAGE

DXR310, Valid for machine 43, 2010-09

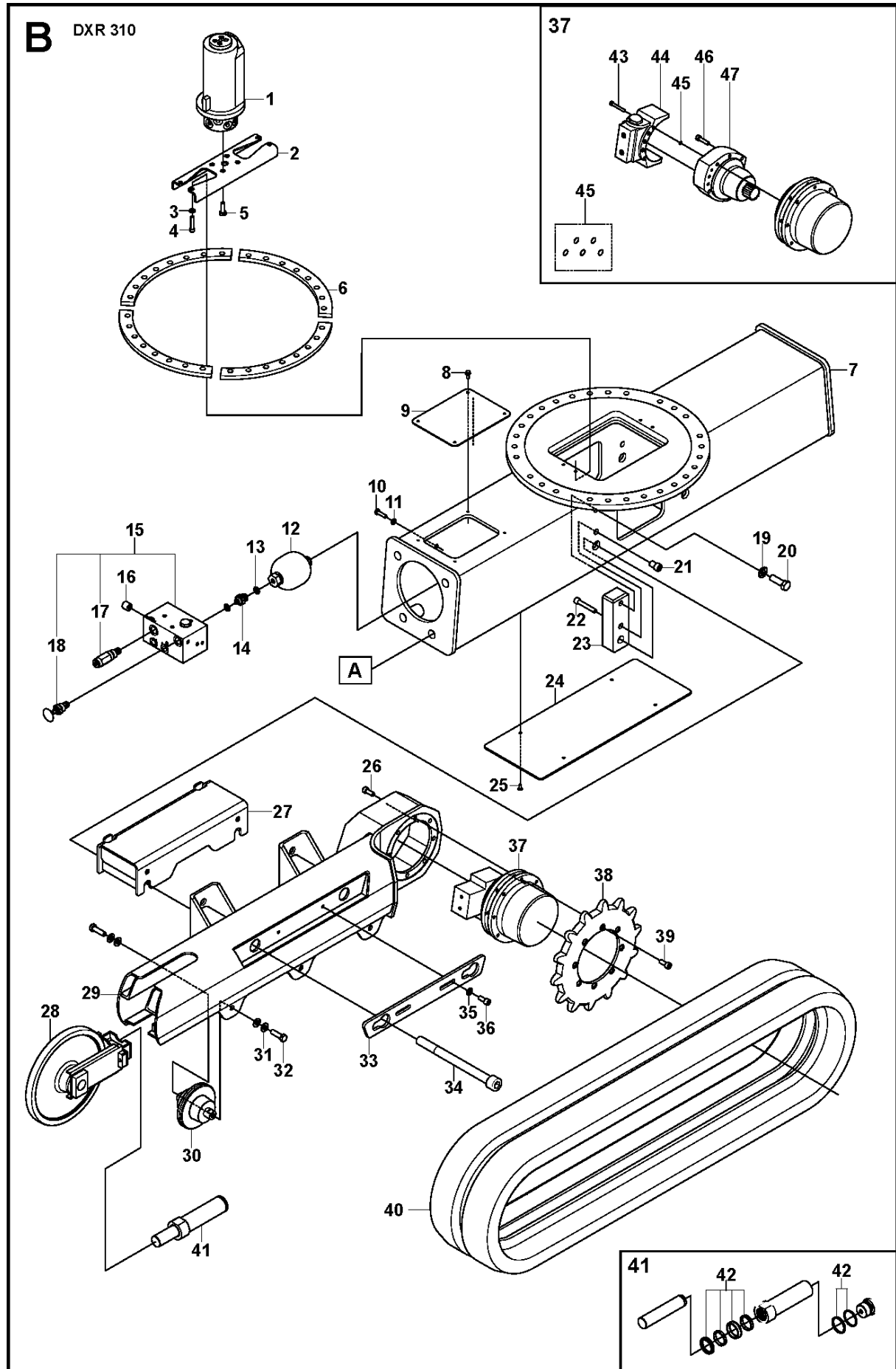
Ref	Part No	Description	Remark	QTY KIT
1	510 24 58-01	ADAPTER		6
2	510 26 76-01	CHECK VALVE		1
3	510 26 11-01	ADAPTER		1
4	510 36 32-01	HOSE CLAMP		1
5	510 19 47-01	HOSE ASSY		1
6	725 25 38-71	SCREW EHHM		4
7	510 26 63-01	FLANGE		2
8	510 26 46-01	ADAPTER		7
9	510 25 28-04	HOSE ASSY		1
10	510 36 32-01	HOSE CLAMP		2
11	522 83 17-01	ADAPTER		1
12	510 25 28-02	HOSE ASSY		1
13	516 01 82-01	ADAPTER		1
14	522 67 26-01	HOSE ASSY		1
15	522 53 21-01	ADAPTER		1
16	510 24 21-01	HOSE ASSY		1
17	510 22 87-06	HOSE ASSY		1
18	510 23 48-03	HOSE ASSY		1
19	510 26 54-01	ADAPTER		3
20	510 24 57-01	ADAPTER		4
21	522 96 28-01	VALVE HOUSING		1
22	522 96 27-01	VALVE ASSY		1
23	522 96 29-01	VALVE		1
24	522 96 30-01	SOLENOID		1
25	510 24 57-01	ADAPTER		1
26	522 67 25-01	HOSE ASSY		1
27	510 24 72-01	ADAPTER		6
28	510 26 46-01	ADAPTER		7
29	510 19 53-02	HOSE ASSY		2
30	510 36 31-01	O-RING		1
31	510 26 57-01	ADAPTER		1
32	510 23 48-01	HOSE ASSY		1
33	510 26 52-01	ADAPTER		1
34	510 36 31-01	O-RING		1
35	510 19 28-01	HOSE ASSY		1
36	510 26 62-01	FLANGE		1
37	725 24 95-76	SCREW EHHM		4
38	522 49 53-01	SENSOR		1
39	510 40 87-01	ADAPTER		1
40	510 26 54-01	ADAPTER		3
41	510 26 54-01	ADAPTER		3
42	510 25 18-04	HOSE ASSY		1
43	510 25 87-01	ADAPTER		2
44	510 19 51-04	HOSE ASSY		1
45	510 24 58-01	ADAPTER		6
46	510 26 46-01	ADAPTER		7
47	510 26 54-01	ADAPTER		4
48	510 26 46-01	ADAPTER		7
49	576 48 84-01	HOSE ASSY		1
50	510 17 45-01	HOSE ASSY		1
51	510 24 58-01	ADAPTER		6
52	510 17 45-02	HOSE ASSY		1
53	510 19 53-02	HOSE ASSY		2
54	510 24 57-01	ADAPTER		1
55	522 67 25-07	HOSE ASSY		1
56	522 77 48-01	ADAPTER		1



HYDRAULIC STACK

DXR310, Valid for machine 43, 2010-09

Ref	Part No	Description	Remark	QTY	KIT
1	505 25 20-01	SHAFT ASSY		4	
2	522 84 13-01	SLEEVE		4	
3	505 25 18-01	SHAFT ASSY		4	
4	522 84 12-01	SLEEVE		4	
5	576 36 69-01	PROTECTION		4	
6	522 66 95-01	LOCK NUT		8	
7	576 36 73-01	PLATE		2	
8	522 66 95-01	LOCK NUT		16	
9	522 67 17-01	WASHER		16	
10	504 89 46-01	BEAM		2	
11	576 43 68-01	SCREW EHHFM		8	
12	522 66 95-01	LOCK NUT		2	
13	505 25 08-01	BEARING BUSH		16	
14	522 70 67-01	SCREW EHHFM		2	
15	522 84 11-01	SLEEVE		4	
16	505 25 15-01	SHAFT ASSY		4	
17	504 89 53-01	LUBRICATION NIPPLE		1	
18	522 66 72-01	SCREW IHSCM		16	
19	505 03 46-01	RUBBER FOT		4	
20	521 90 78-01	CYLINDER		4	
21	522 66 78-01	SCREW EHHM		2	
22	576 12 57-01	COVER PLATE		2	
23	575 73 43-01	KIT		2	
24	504 91 01-01	BEAM		2	
25	522 86 91-01	VALVE		4	20
26	504 89 53-01	LUBRICATION NIPPLE		1	20
27	522 73 00-01	ADAPTER		4	20
28	510 22 87-05	HOSE ASSY		4	20
29	522 85 74-01	SEAL		4	20

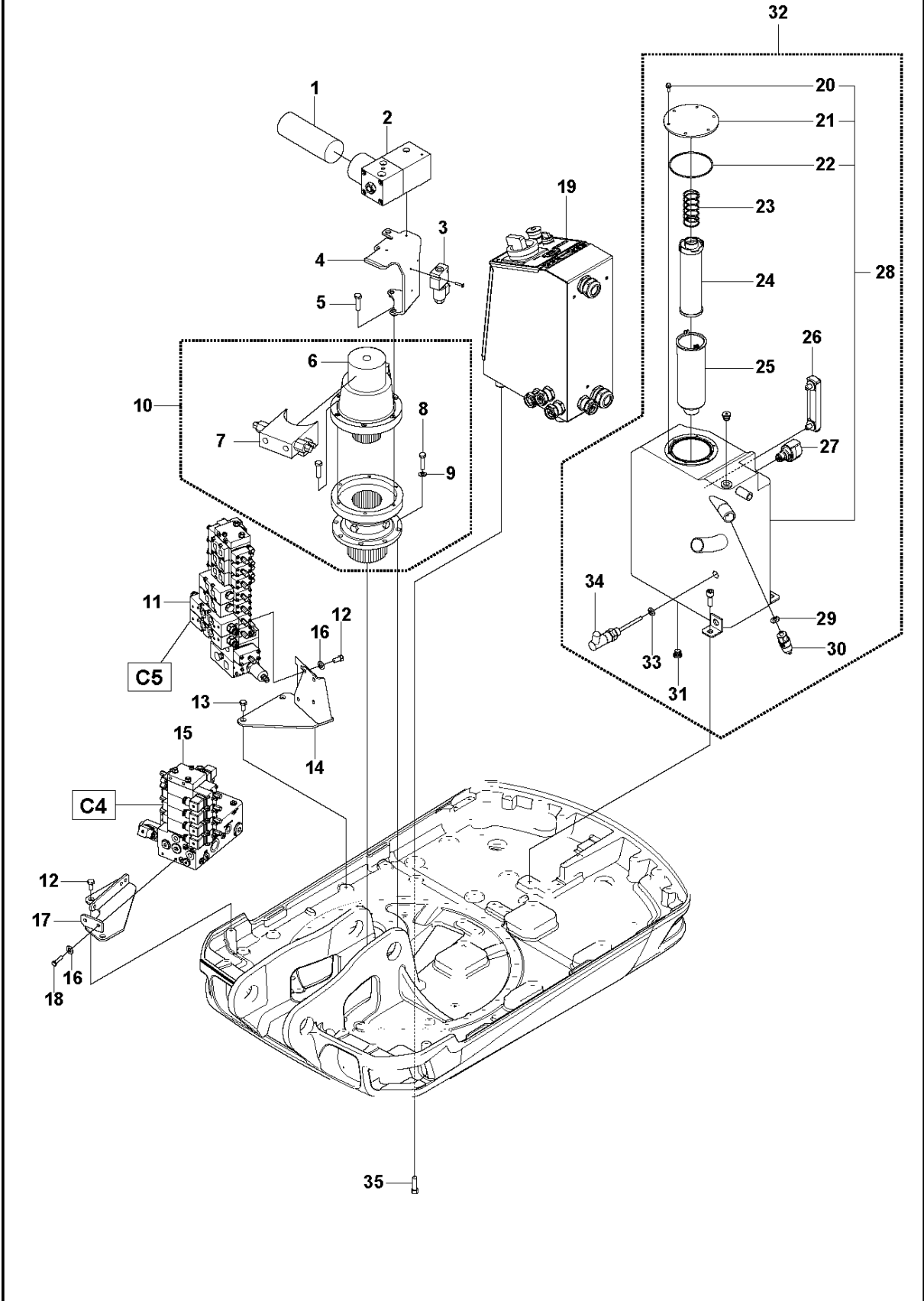


HYDRAULIC STACK

DXR310, Valid for machine 43, 2010-09

Ref	Part No	Description	Remark	QTY	KIT
1	505 29 25-01	SWIVEL		1	
2	504 88 67-01	BRACKET		1	
3	522 67 16-01	WASHER		4	
4	725 54 55-01	SCREW IHSCM		4	
5	522 70 66-01	SCREW EHHFM		4	
6	504 89 63-01	SPACER		4	
7	505 21 05-01	BODY		1	
8	522 66 86-01	SCREW EHHFM		4	
9	505 21 58-01	COVER PLATE		1	
10	522 66 81-01	SCREW EHHM		1	
11	522 67 17-01	WASHER		1	
12	504 89 84-01	HYDRAULIC UNIT		1	
13	521 89 30-01	WASHER		2	
14	510 19 01-01	ADAPTER		1	
15	505 27 26-01	VALVE HOUSING ASSY		1	
16	522 51 65-01	SLEEVE		1	
17	515 98 19-01	VALVE		1	15
18	515 98 18-01	VALVE		1	15
19	522 67 19-01	WASHER		4	
20	522 66 79-01	SCREW EHHM		4	
21	580 83 34-01	GUIDE PIN		4	
22	522 66 73-01	SCREW IHSCM		4	
23	504 89 67-01	BLOCK		4	
24	505 21 41-01	BOTTOM PLATE		1	
25	522 66 91-01	SCREW IHCSFM		2	
26	522 66 68-01	SCREW IHSCM		16	
27	505 53 83-01	SPACER		2	
28	574 44 02-01	TENSION ROLLER		2	
29a	505 12 22-02	FRAME		1	
29b	505 16 22-02	FRAME		1	
30	505 26 86-01	SUPPORT ROLLER		6	
31	510 24 36-01	WASHER		12	
32	522 66 80-01	SCREW EHHM		12	
33	505 23 57-01	LOCKING PLATE		2	
34	504 89 88-01	SCREW		4	
35	522 67 17-01	WASHER		4	
36	522 66 68-01	SCREW IHSCM		4	
37	510 16 16-01	DRIVE MOTOR		2	
38	506 10 16-01	SPROCKET		2	
39	522 66 68-01	SCREW IHSCM		16	
40	505 26 87-01	RUBBER TRACKS		2	
41	505 26 74-01	CYLINDER		2	
42	522 85 76-01	SEAL		2	41
43	725 54 67-51	SCREW IHSCM		4	37
44	522 96 49-01	VALVE KIT		2	37
45	522 96 50-01	SEAL		2	37
46a	725 54 61-51	SCREW IHSCM		14	37
46b	725 54 57-51	SCREW IHSCM		8	37
47	522 96 47-01	HYDRAULIC MOTOR		2	37

C2 DXR 310

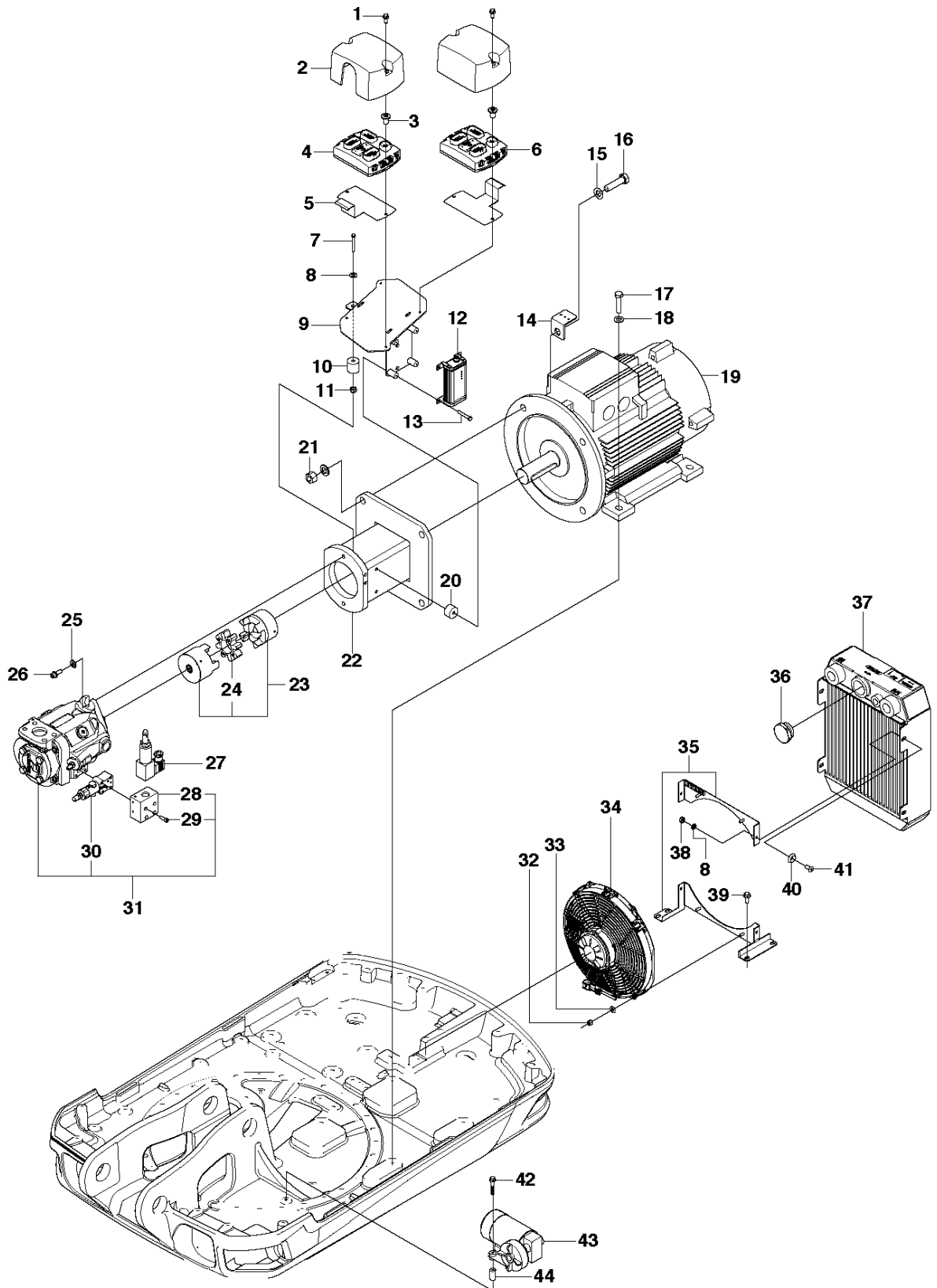


HYDRAULIC STACK

DXR310, Valid for machine 43, 2010-09

Ref	Part No	Description	Remark	QTY	KIT
1	521 91 77-01	GREASE		1	
2	505 27 78-01	PUMP		1	
3	522 96 27-01	VALVE ASSY		1	
4	510 13 86-01	BRACKET		1	
5	725 54 64-50	SCREW IHSCM		2	
6	522 78 18-01	HYDRAULIC MOTOR		1	11
7	522 78 23-01	VALVE HOUSING		1	11
8	725 24 95-76	SCREW EHHM		8	11
9	522 44 98-01	WASHER		8	11
10	505 26 54-01	HYDRAULIC MOTOR ASSY		1	
11	505 28 79-01	VALVE		1	
12	522 66 78-01	SCREW EHHM		4	
13	522 70 66-01	SCREW EHHFM		3	
14	505 51 48-01	CONSOLE		1	
15	576 48 69-01	VALVE		1	
16	522 67 16-01	WASHER		8	
17	505 27 51-01	CONSOLE		1	
18	522 66 78-01	SCREW EHHM		4	
19	584 79 81-01	ELECTRONIC BOX		1	
20	725 23 68-71	SCREW EHHM		6	32, 28
21	505 32 35-01	LID		1	32, 28
22	521 92 47-01	O-RING		1	32, 28
23	510 14 27-01	FILTER HOLDER		1	32
24	510 14 45-01	FILTER		1	32
25	505 29 19-01	FILTER HOLDER		1	32
26	505 31 87-01	LEVEL GAUGE		1	32
27	505 29 06-01	AIR FILTER		1	32
28	574 27 24-01	HYDRAULIC TANK		1	32
29	522 84 78-01	WASHER		1	32
30	510 14 17-01	OIL PRESSURE SWITCH		1	32
31	505 32 41-01	OIL PLUG		2	32
32	505 27 23-01	HYDRAULIC TANK		1	
33	522 84 77-01	WASHER		1	32
34	510 19 58-02	GAUGE		1	32
35	725 54 53-01	SCREW IHSCM		4	

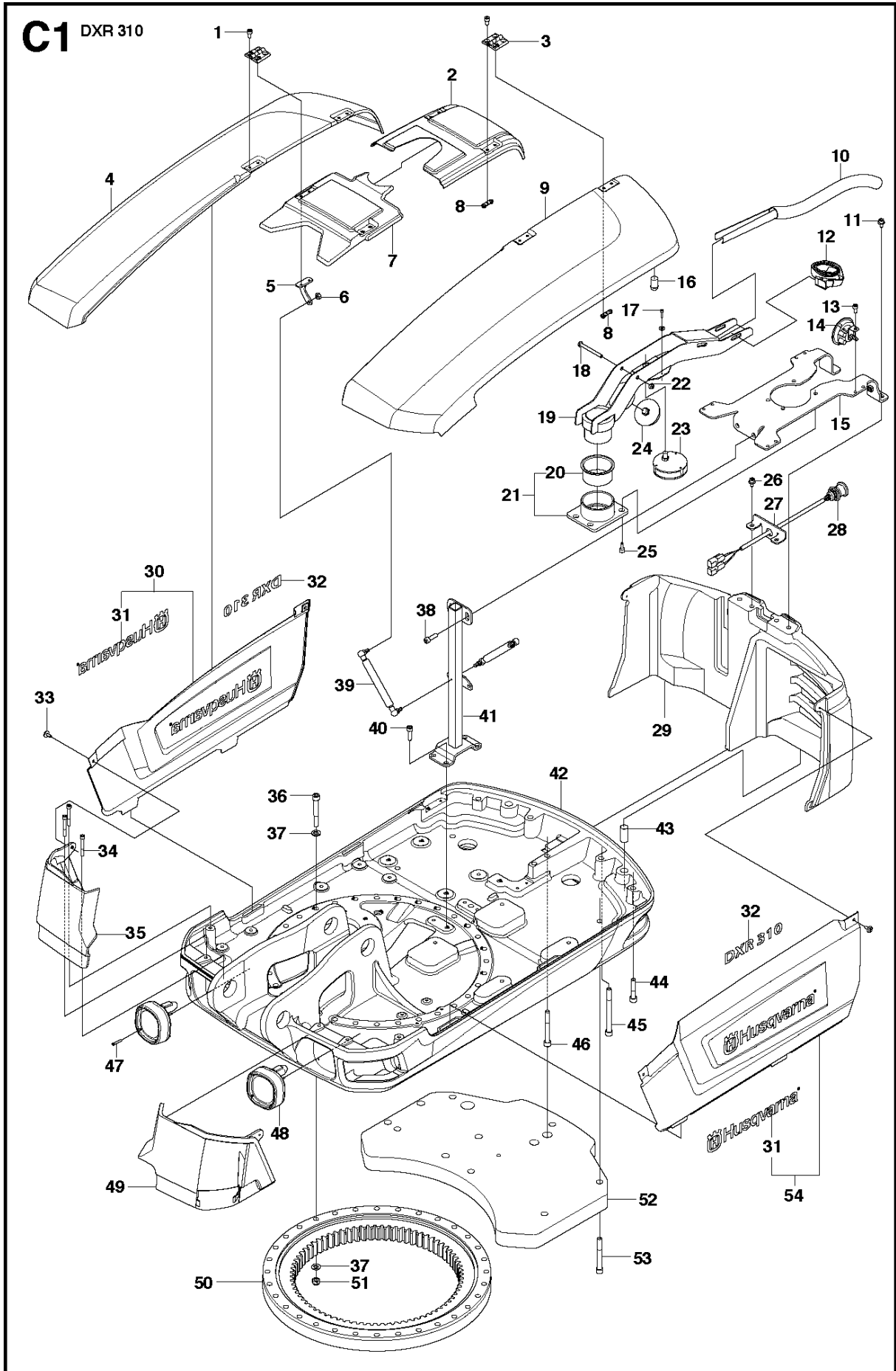
C3 DXR 310



HYDRAULIC STACK

DXR310, Valid for machine 43, 2010-09

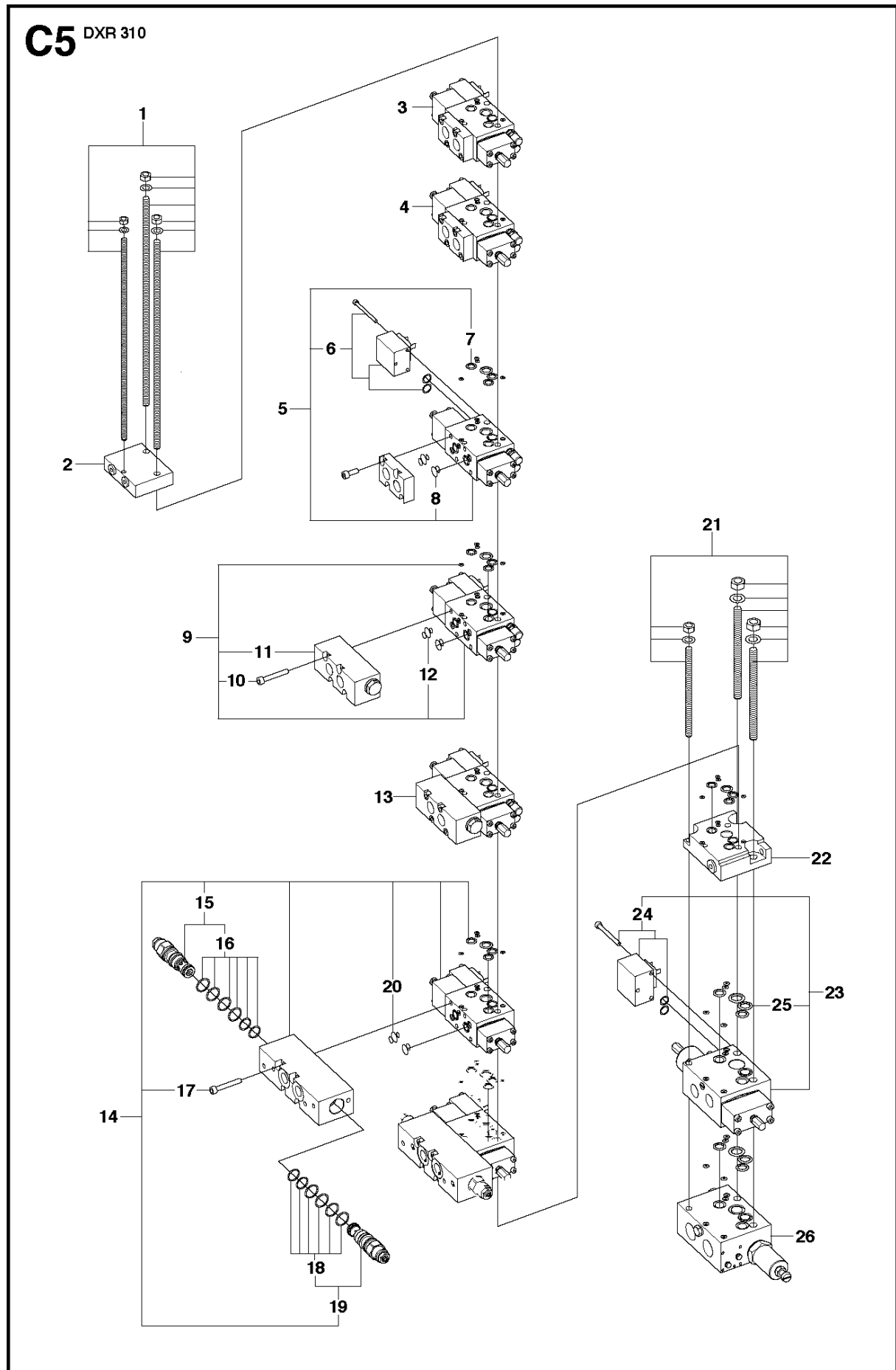
Ref	Part No	Description	Remark	QTY	KIT
1	522 66 86-01	SCREW EHHFM		4	
2	574 66 49-01	PROTECTION		2	
3	574 70 15-01	SCREW		4	
4	576 73 75-01	ELECTRONIC BOX	Master	1	
5	574 70 14-01	BRACKET		2	
6	576 73 75-02	ELECTRONIC BOX	Slave	1	
7	725 24 45-71	SCREW EHHM		3	
8	522 67 16-01	WASHER		6	
9	576 27 23-01	BRACKET		1	
10	510 28 25-01	DAMPENER		2	
11	731 23 18-01	HEXAGON NUT		3	
12	505 27 45-02	ELECTRIC BOX		1	
13	725 53 74-01	SCREW IHSCM		2	
14	522 73 37-01	BRACKET		2	
15	522 67 19-01	WASHER		8	
16	522 66 79-01	SCREW EHHM		4	
17	725 53 74-01	SCREW IHSCM		2	
18	522 67 18-01	WASHER		4	
19	505 26 96-01	ELECTRIC MOTOR		1	
20	510 28 25-01	DAMPENER		2	
21	522 66 97-01	LOCK NUT		4	
22	505 39 09-01	BRACKET		1	
23	510 09 71-01	AXLE COUPLING		1	
24	510 01 68-01	COUPLING		1	
25	522 67 18-01	WASHER		2	29
26	510 24 12-01	SCREW IHSCM		2	29
26	576 03 64-01	VALVE		1	
28	575 38 74-01	MANIFOLD		1	29
29	725 53 81-01	SCREW IHSCM		4	29
30	522 96 43-01	VALVE		1	29
31	506 00 72-02	HYDRAULIC PUMP		1	
	522 96 45-01	SEAL		1	
32	522 66 93-01	LOCK NUT		4	
33	522 67 15-01	WASHER		4	
34	523 03 20-01	FAN		1	
35	523 04 44-01	BRACKET		1	
36	585 31 48-01	VALVE		1	
37	523 03 21-01	OIL COOLER		1	
38	522 66 94-01	LOCK NUT		4	
39	522 70 71-01	SCREW EHHFM		4	
40	523 04 24-01	WASHER		4	
41	725 64 51-01	SCREW IHCSFM		4	
42	522 70 68-01	SCREW EHHFM		2	
43	505 27 00-01	OIL PUMP		1	
44	522 51 65-01	SLEEVE		2	



HYDRAULIC STACK

DXR310, Valid for machine 43, 2010-09

Ref	Part No	Description	Remark	QTY KIT
1	522 66 90-01	SCREW IHSCFM		16
2	505 31 90-01	COVER		1
3	510 36 21-01	HINGE		2
4	576 29 19-01	COVER		1
5	576 29 24-01	CONSOLE		2
6	522 66 94-01	LOCK NUT		2
7	505 31 91-01	COVER		1
8	576 27 15-01	NUT WASHER		4
9	576 29 20-01	COVER		1
10	510 14 16-01	CABLE CLAMP		1
11	574 25 11-01	SCREW EHHFM		2
12	522 73 36-01	STRAP		2
13	522 66 87-01	SCREW EHHFM		1
14	510 12 60-01	HORN		1
15	576 29 23-01	BRACKET		1
16	521 93 07-01	DISTANCE		4
17	522 66 71-01	SCREW IHSCM		4
18	522 66 82-01	SCREW EHHM		1
19	505 03 14-01	CABLE HOLDER		1
20	510 10 10-01	BEARING BUSH		1
21	576 78 74-01	CABLE HOLDER		1
22	522 66 94-01	LOCK NUT		1
23	510 28 54-01	WARNING LIGHT		1
24	515 98 13-01	ANTENNA		1
25	522 70 71-02	SCREW EHHFM		4
26	574 25 11-01	SCREW EHHFM		2
27	505 25 22-01	BRACKET		1
28	584 85 16-01	SWITCH		1
29	505 00 04-01	COUNTERWEIGHT		1
30	576 29 25-01	PAN		1
31	525 75 39-02	STICKER		2
32	522 82 26-01	STICKER		2
33	522 66 84-01	SCREW EHHFM		4
34	522 70 67-01	SCREW EHHFM		6
35	505 15 47-01	PANEL		1
36	525 61 80-01	SCREW EHHM		32
37	522 67 18-01	WASHER		64
38	574 25 89-01	SCREW EHHFM		2
39	510 13 47-02	SPRING		2
40	522 70 66-01	SCREW EHHFM		4
41	576 29 21-01	CABLE HOLDER		1
42	520 75 76-01	BASEPLATE		1
43	505 28 16-01	GUIDE PIN		6
44	522 59 75-01	SCREW IHSCM		2
45	522 59 81-01	SCREW IHSCM		2
46	522 59 79-01	SCREW IHSCM		2
47	529 31 69-01	SCREW IHSCM		8
48	505 34 90-01	HEADLIGHT		2
49	505 15 49-01	PAN	Valid for machine S/N 1-101	1
49	577 64 93-01	PANEL	Valid for machine S/N 102 and forward	1
50	505 26 48-01	BEARING		1
51	522 66 96-01	LOCKING NUT		32
52	510 11 13-01	COUNTERWEIGHT		1
53	510 24 35-01	SCREW		6
54	576 29 26-01	PAN		1

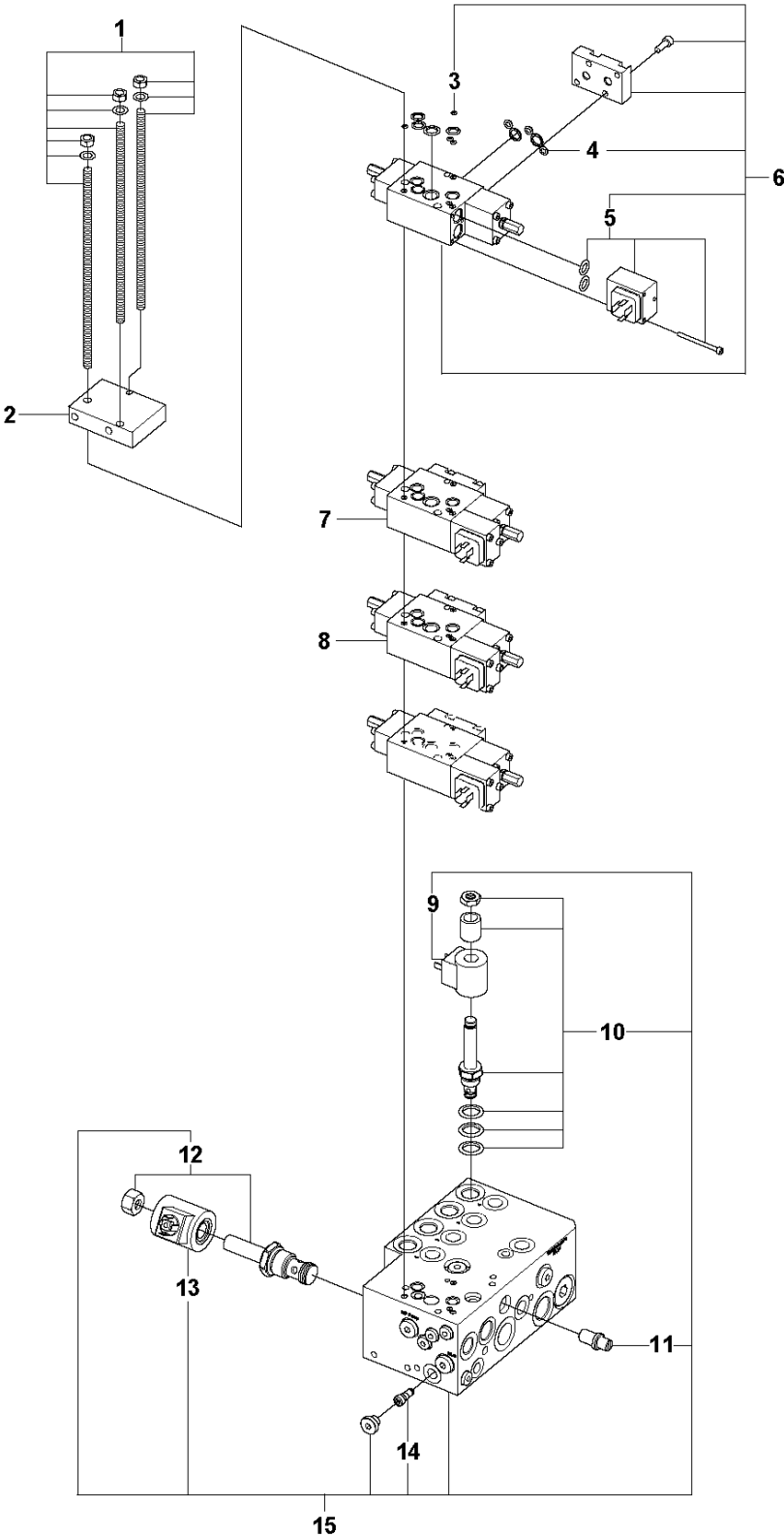


HYDRAULIC STACK

DXR310, Valid for machine 43, 2010-09

Ref	Part No	Description	Remark	QTY KIT	
1a	522 96 34-01	THREAD TAP		1	
1b	523 06 20-01	THREAD TAP		1	
1c	523 06 24-01	THREAD TAP		1	
2	522 80 04-01	VALVE		1	
3	576 38 72-01	VALVE		3	
4	576 38 72-01	VALVE		3	
5	522 80 02-01	VALVE		3	
6	522 96 13-01	SOLENOID		5	5
7	522 96 14-01	O-RING		5	5
8	522 96 16-01	O-RING		5	5
9	522 80 01-01	VALVE		3	
10	725 53 78-51	SCREW IHSCM		8	9
11	522 96 25-01	VALVE		2	9
12	522 96 14-01	O-RING		5	9
13	522 80 00-01	VALVE		1	
14	522 79 99-01	VALVE		2	
15	522 96 22-01	VALVE		2	14
16	522 96 24-01	O-RING		4	14
17	725 53 80-51	SCREW IHSCM		8	14
18	522 96 24-01	O-RING		2	14
19	522 96 23-01	VALVE		2	14
20	522 96 16-01	O-RING		7	14
21	522 96 33-01	THREAD TAP		1	
22	522 79 98-01	VALVE		1	
23	522 79 97-01	VALVE		1	
24	522 96 18-01	SOLENOID		1	23
25	522 96 19-01	O-RING		2	23
26	522 79 95-01	VALVE		1	

C4 DXR 310



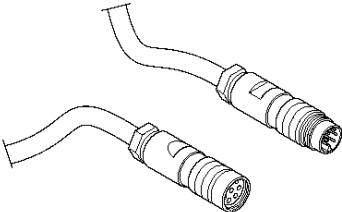
HYDRAULIC STACK

DXR310, Valid for machine 43, 2010-09

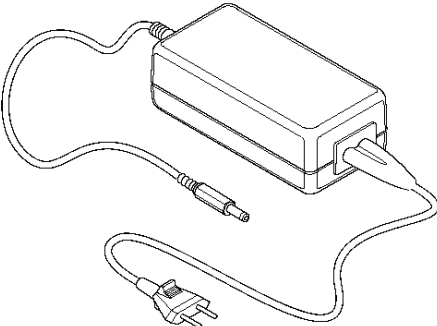
Ref	Part No	Description	Remark	QTY	KIT
1	522 96 36-01	THREAD TAP		1	
2	522 80 04-01	VALVE		1	
3	522 96 14-01	O-RING		5	6
4	522 96 16-01	O-RING		5	6
5	522 96 13-01	SOLENOID		4	6
6	522 80 10-01	VALVE		1	
7	522 80 09-01	VALVE		1	
8	522 80 06-01	VALVE		2	
9	522 95 87-01	SOLENOID		4	15
10	522 95 85-01	VALVE		4	15
11	522 95 99-01	VALVE		1	15
12	522 95 92-01	VALVE		1	15
13	522 95 93-01	SOLENOID		1	15
14	522 96 00-01	VALVE		1	15
15	576 48 69-01	VALVE		1	

F2 REMOTE CONTROL ACCESSORIES

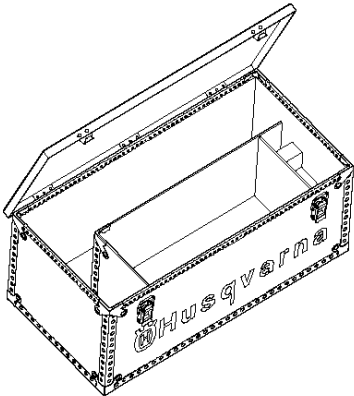
3



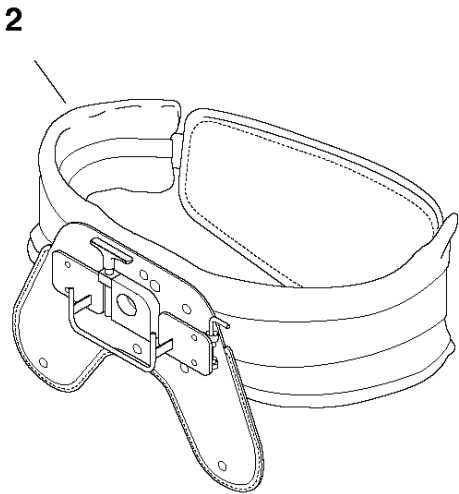
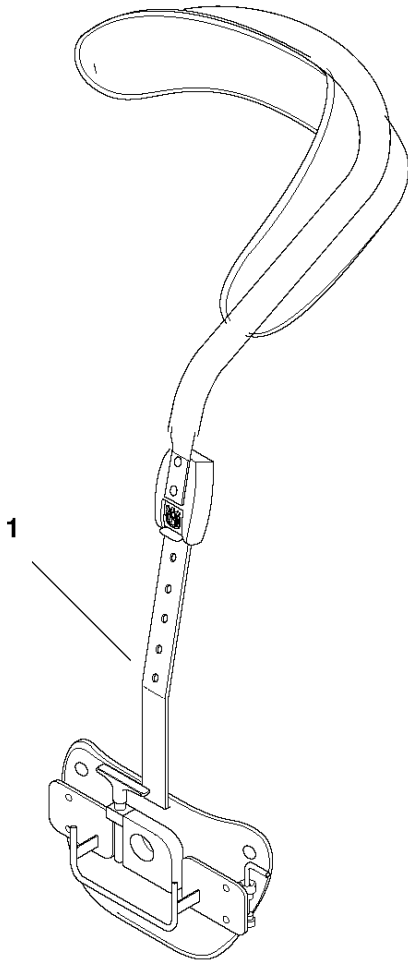
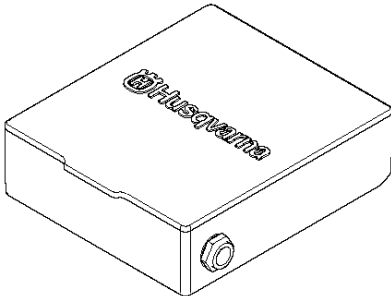
4



5



6



REMOTE CONTROL

DXR310, Valid for machine 43, 2010-09

Ref	Part No	Description	Remark	QTY	KIT
1	501 79 30-01	HARNESS		1	
2	501 79 31-01	HARNESS		1	1
3	510 28 20-01	CABLE		1	1
4	510 28 50-03	CHARGER		1	
5	525 74 75-01	PACKING		1	
6	587 31 16-01	BATTERY		1	

REMOTE CONTROL

DXR310, Valid for machine 43, 2010-09

Ref	Part No	Description	Remark	QTY	KIT
1	587 36 11-01	COVER KIT		1	28
2	587 36 61-01	COVER KIT		1	28
3	510 36 33-01	SWITCH	Machine stop	1	28
4	510 36 35-01	SWITCH	Main switch, ON/OFF	1	28
5	522 96 65-01	POTENTIOMETER	Tool	1	28
6	522 96 66-01	POTENTIOMETER	Machine	1	28
8	522 66 89-01	SCREW CRPANT		4	28
9	510 21 73-07	CONTROL BOARD	No firmware installed	1	28
10	582 45 09-01	JOYSTICK		1	28
11	582 42 18-01	PROTECTION		1	10
12	582 42 10-01	BUTTON KIT		1	10
13	522 79 66-01	SCREW CCRPANT		4	2,28
14	510 21 78-01	CONTROL BOARD	Bluetooth	1	28
15	510 22 26-01	SPRING PIN		2	2,28
16	522 96 67-01	CONNECTION	Communication cable	1	28
17	503 21 74-16	SCREW IHST		9	2,28
18	523 00 50-01	SCREW CRPANT		1	2,28
19	510 10 85-01	COVER PLATE		1	2,28
20	586 18 79-01	SCREW CRPANT		4	2,28
21	734 11 24-01	WASHER		1	2,28
22	586 14 66-01	CONTACT	USB	1	28
23	577 96 36-01	CABLE HOLDER		1	2,28
24	576 88 80-05	SEALING STRIP		1	1,2,28
25	510 21 76-01	RUBBER BUSHING		1	28
26	734 11 36-60	WASHER		1	28
27	585 30 68-01	PROTECTION		1	1,28
28	585 16 11-01	REMOTE CONTROL		1	
29	582 42 06-01	SCREW		1	28
30	510 21 40-01	JOYSTICK	LEFT	1	
30	510 21 40-02	JOYSTICK	RIGHT	1	
31	576 63 31-01	SEAL		2	30
32	576 63 32-01	SEAL		2	30
33	589 75 28-01	WASHER		1	28