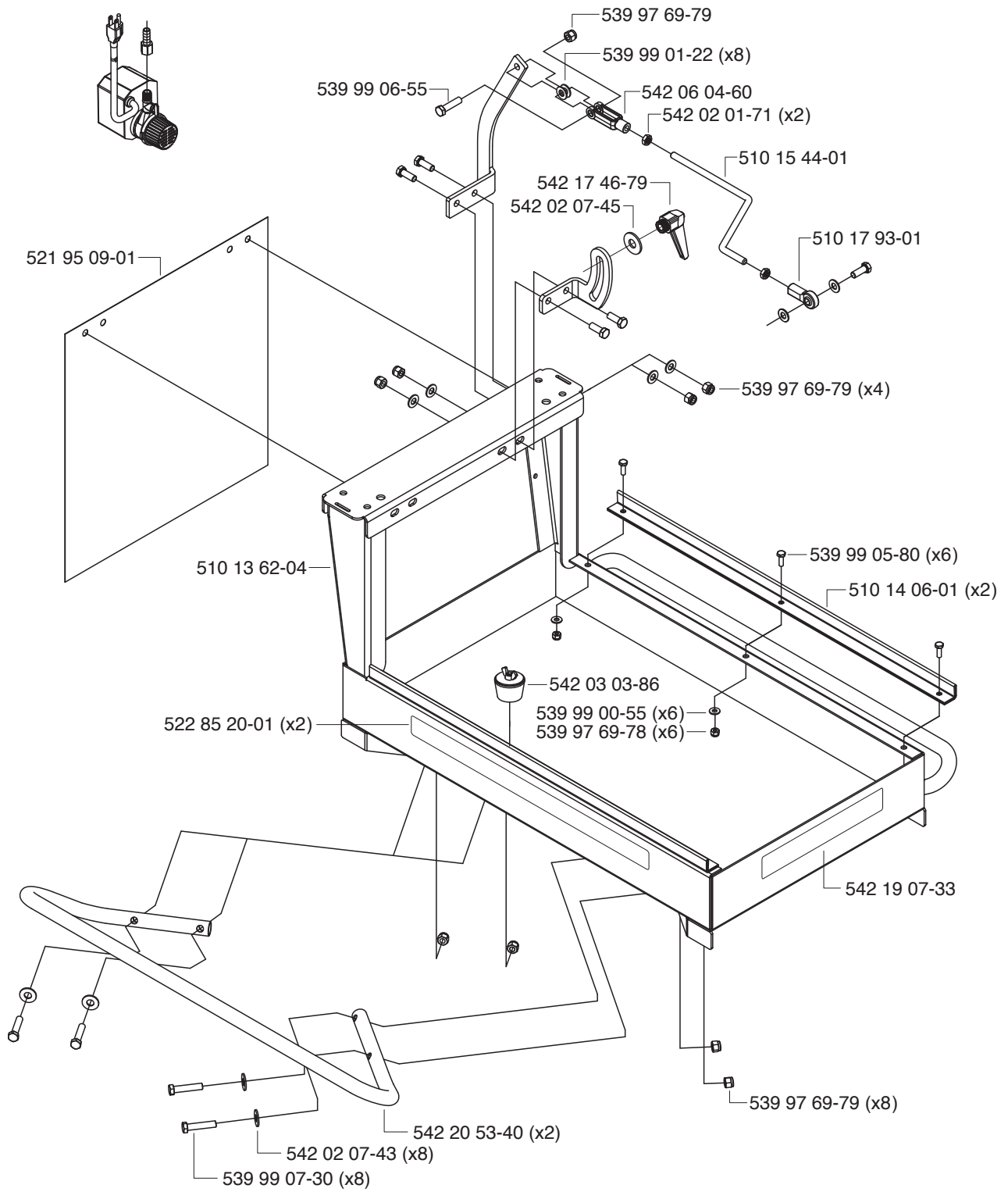
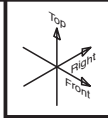


MS 355
MS 355G

Spare Parts
Pieces de rechange
Piezas de reposito

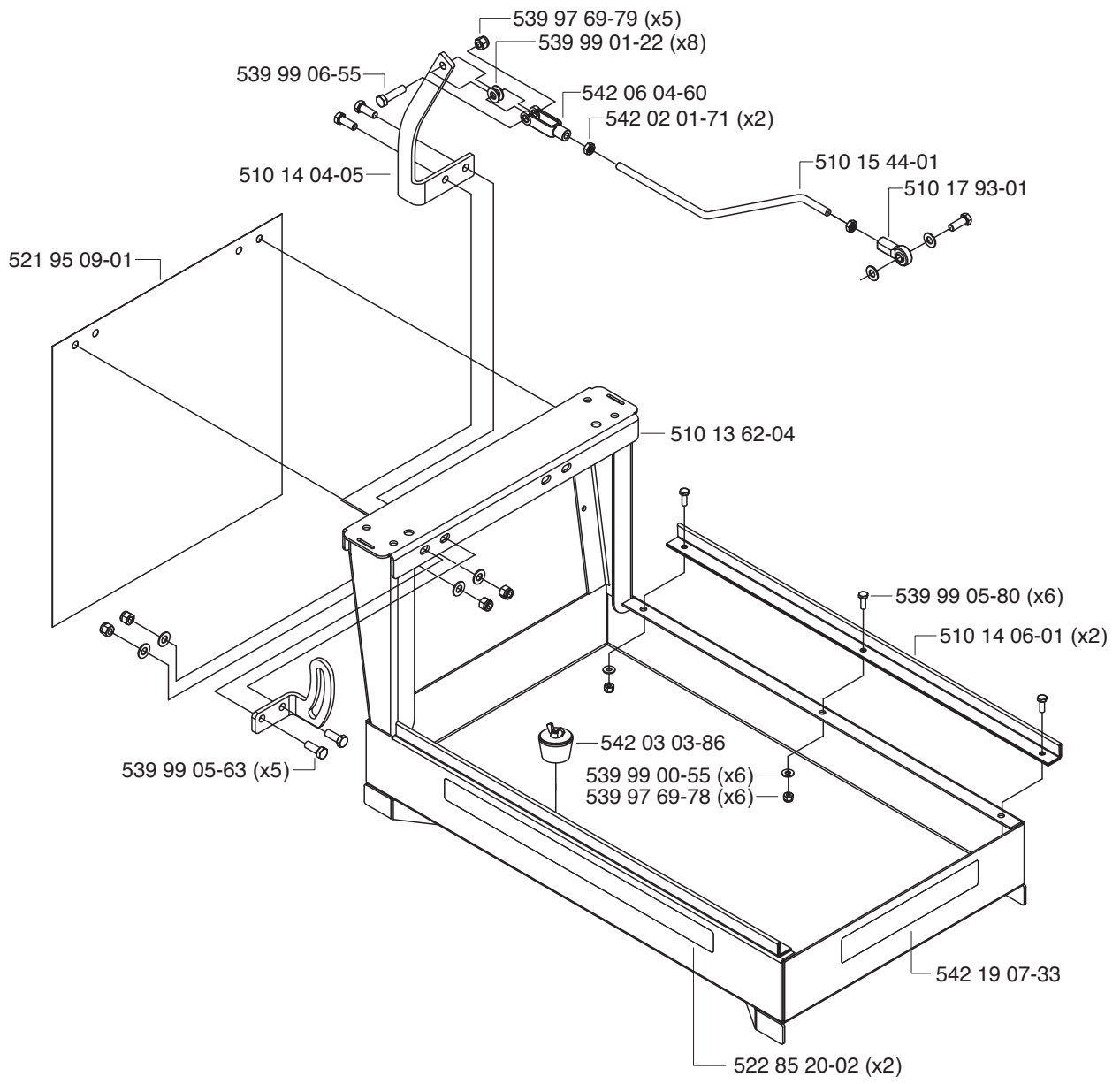
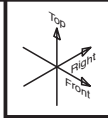
A1 Basic Frame - MS355 Electric



 **Husqvarna** — 542 19 07-33

 **Husqvarna** **PORTASAW MS 355** — 522 85 20-01 (x2)

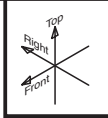
A2 Basic Frame - MS355 Gas



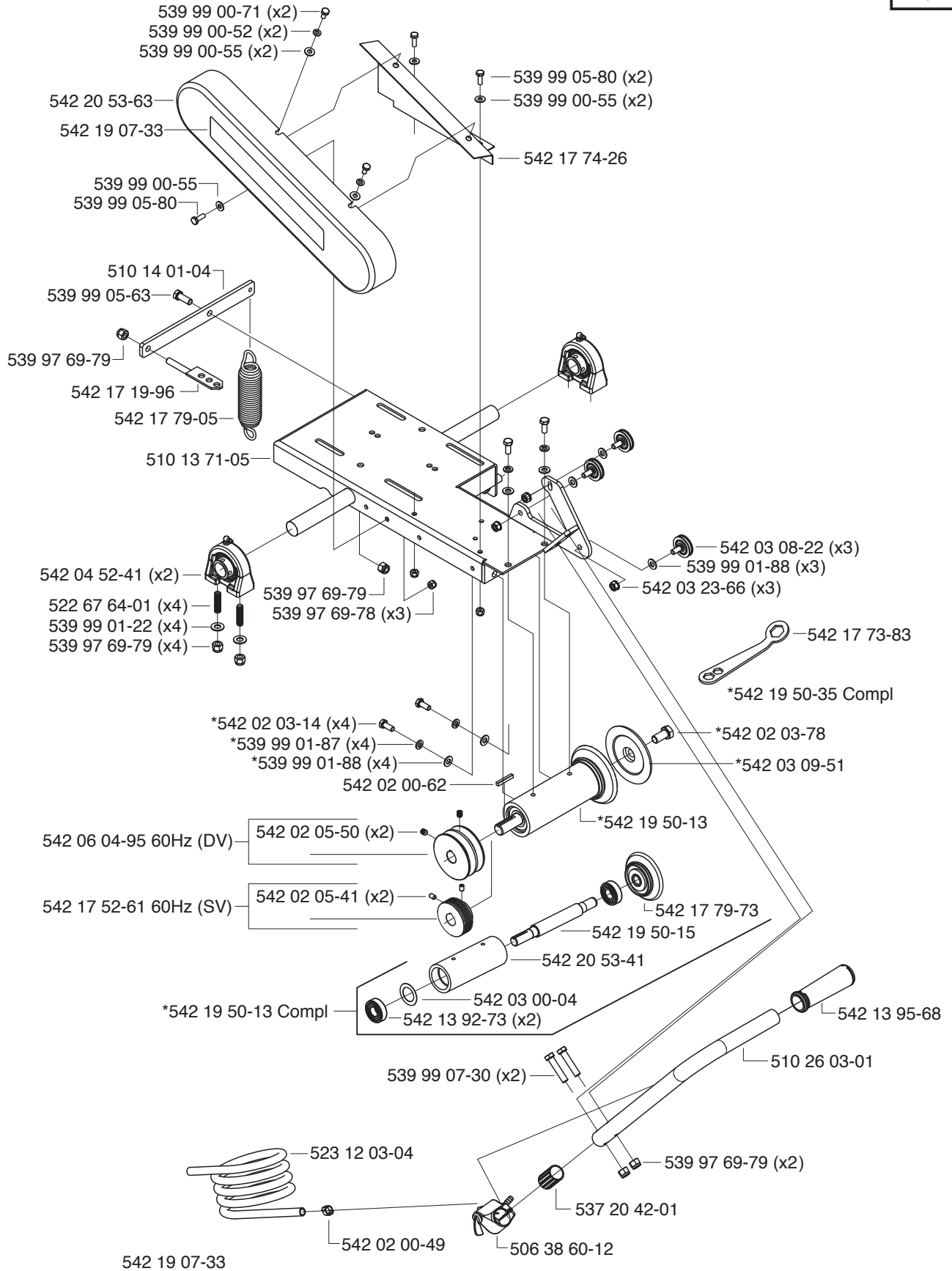
 **Husqvarna** — 542 19 07-33

 **Husqvarna**

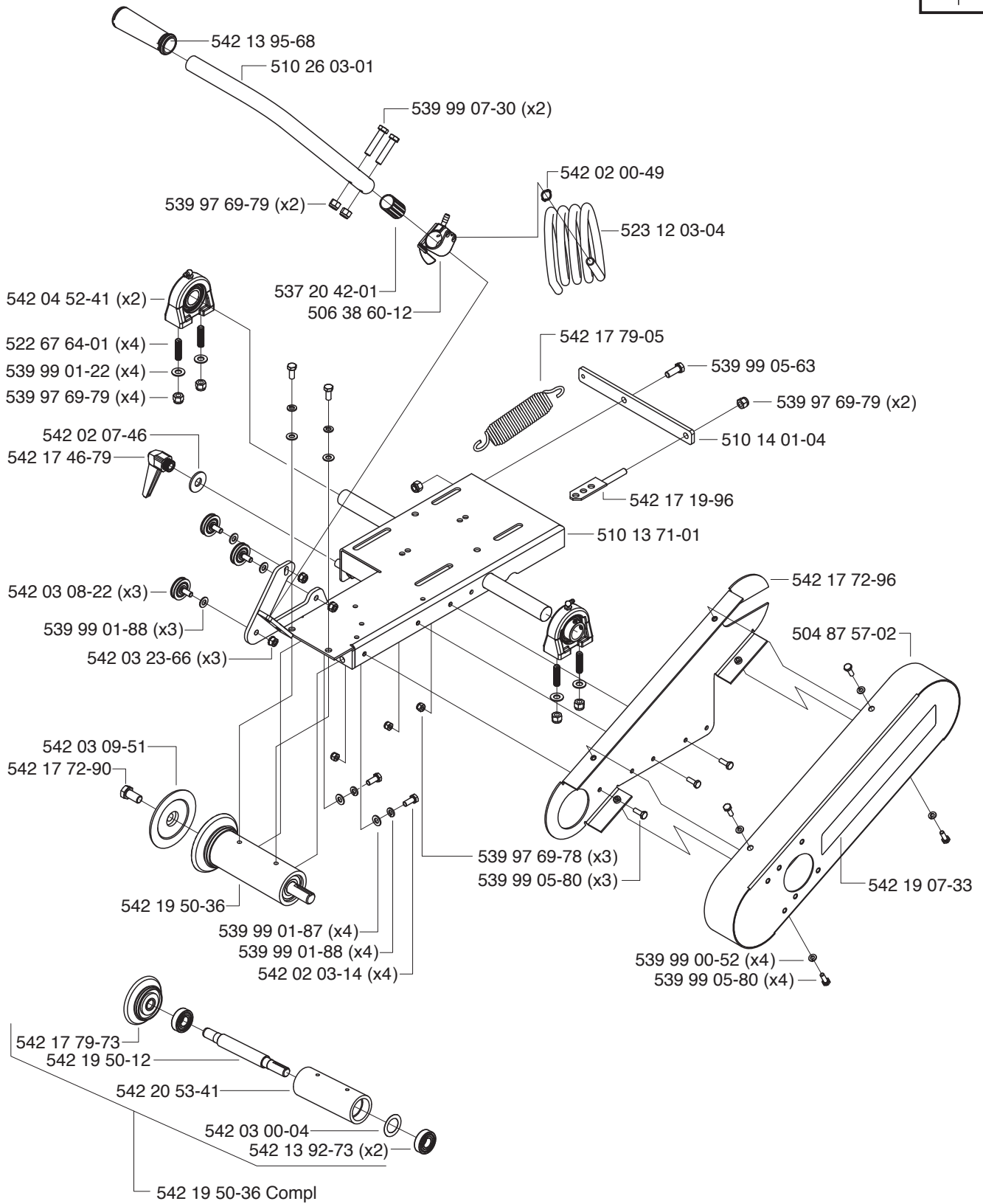
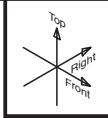
PORTASAW MS 355G — 522 85 20-02 (x2)



C1 Head Platform - Electric



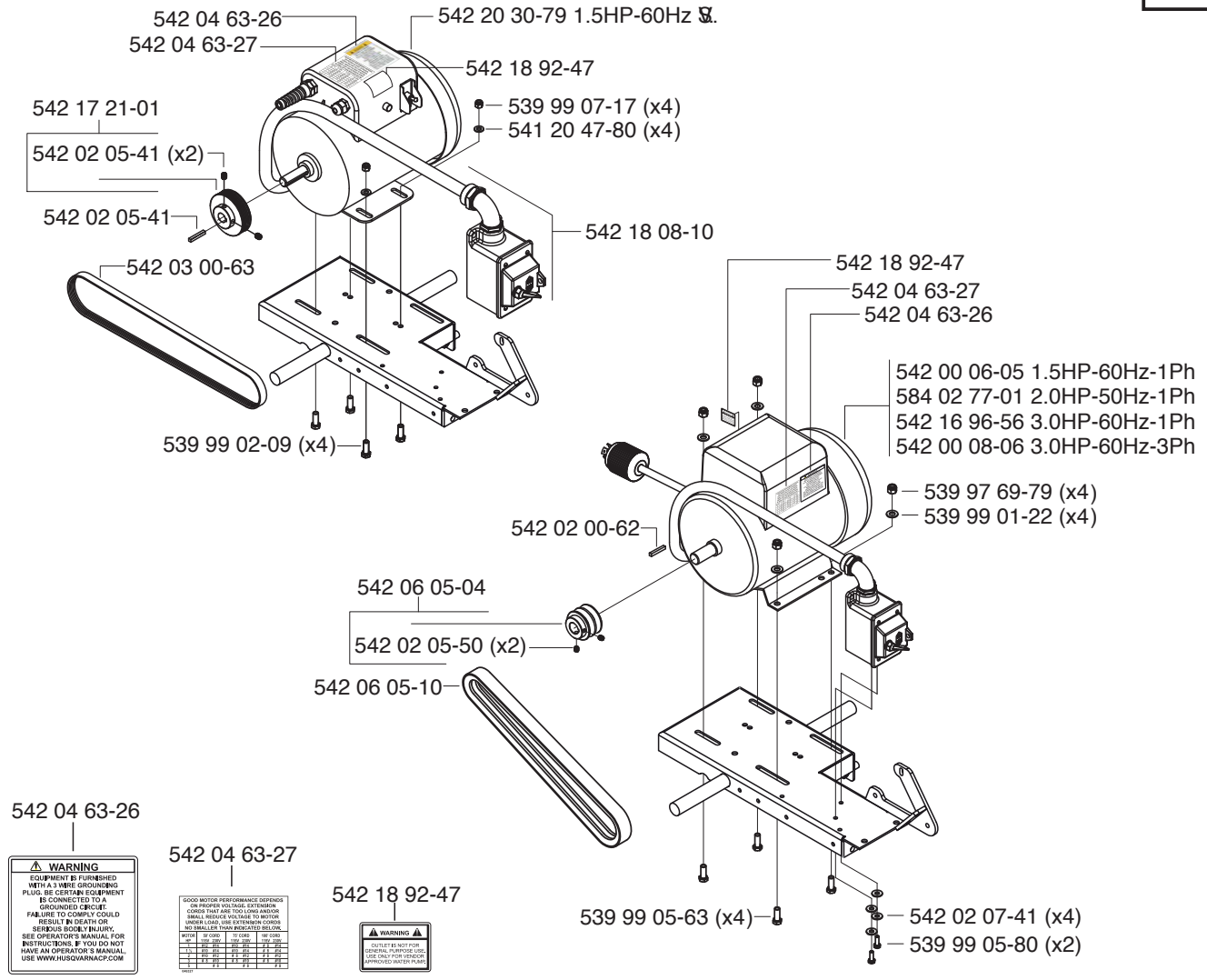
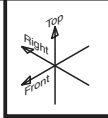
C2 Head Platform - Gas



542 19 07-33



D1 Motors - Electric



WARNING
EQUIPMENT IS FURNISHED WITH A VIBRE GROUNDING PLUG. BE CERTAIN EQUIPMENT IS CONNECTED TO A GROUNDED CIRCULAR. FAILURE TO COMPLY COULD RESULT IN DEATH OR SERIOUS BODILY INJURY. SEE OPERATOR'S MANUAL FOR INSTRUCTIONS. IF YOU DO NOT HAVE AN OPERATOR'S MANUAL, USE WWW.JUSQUARRACCP.COM

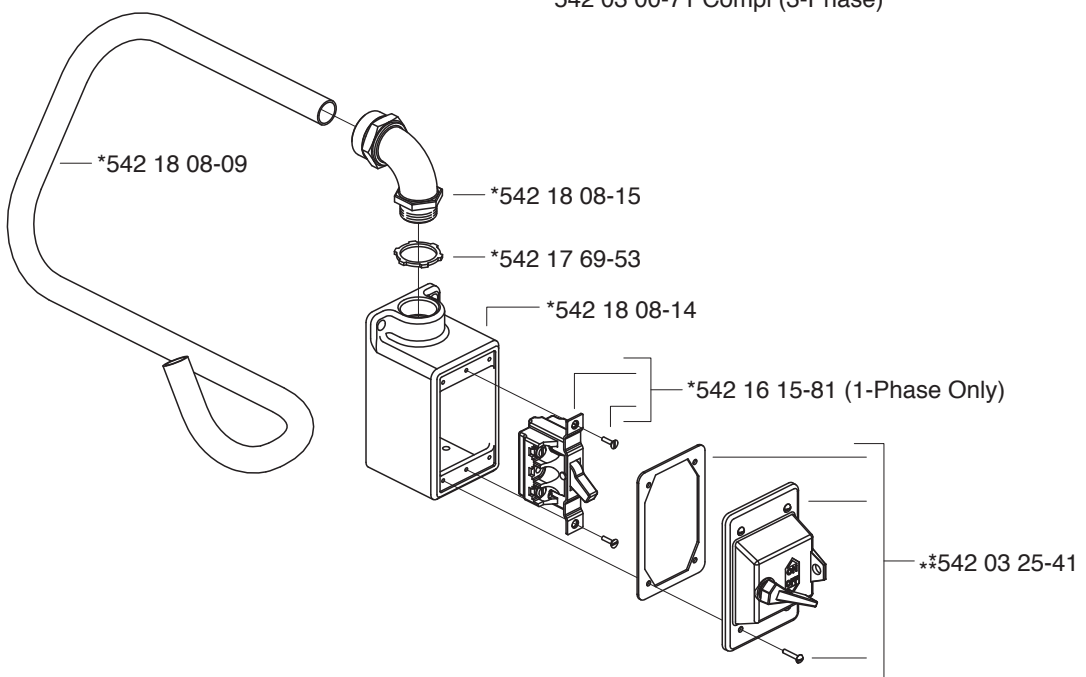
542 04 63-27

CHECK MOTOR PERFORMANCE OVERLOADS ON PROPER VOLTAGE. EXTENSION CORDS THAT ARE TOO LONG AND/OR SMALL GAUGE CORDS WILL CAUSE MOTOR OVERHEATING AND POSSIBLE MOTOR DAMAGE.			
MOTOR SIZE	15 CORD	15 CORD	15 CORD
1.5 HP	100'	100'	100'
2.0 HP	100'	100'	100'
3.0 HP	100'	100'	100'
3.0 HP	100'	100'	100'

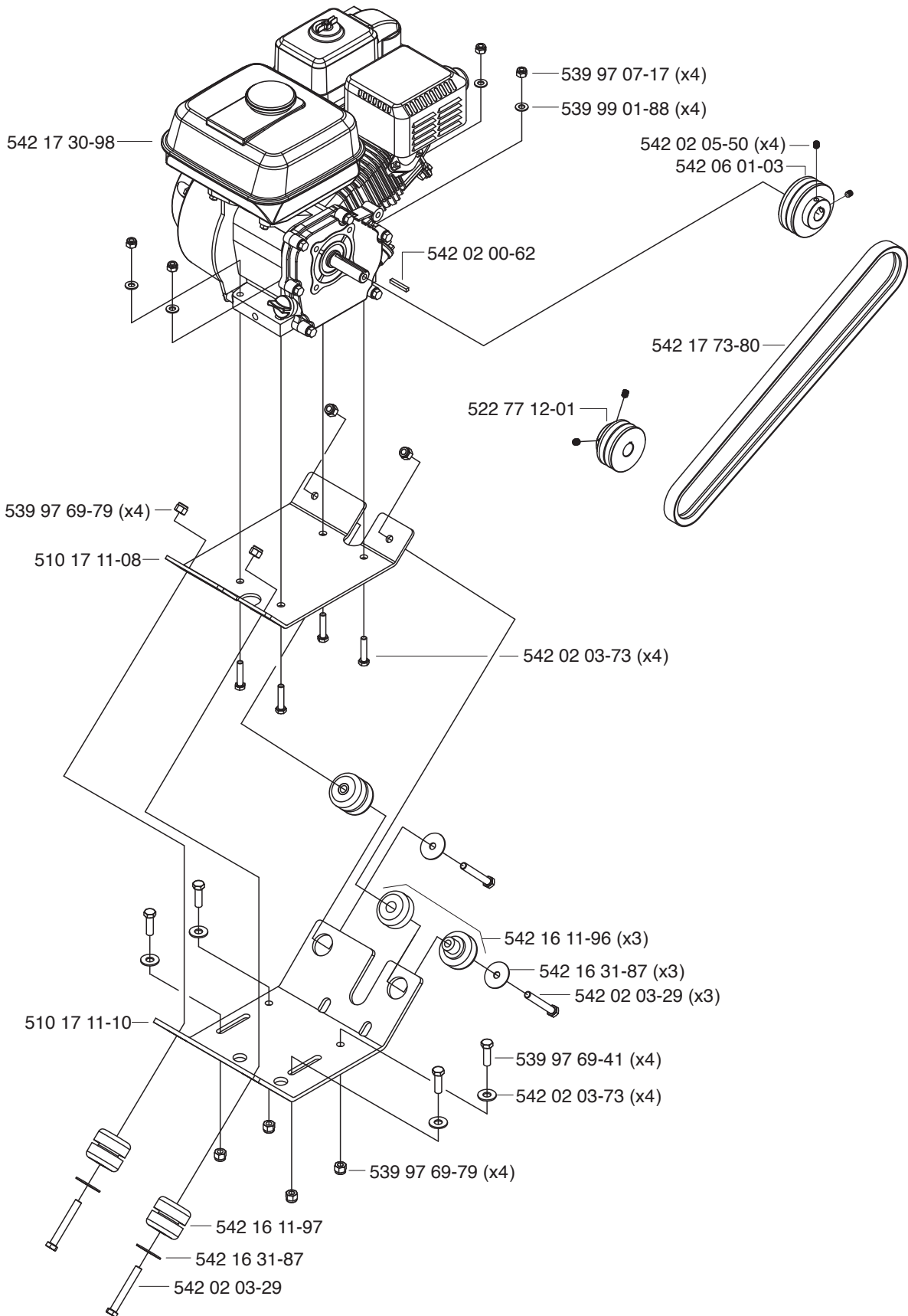
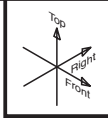
WARNING
EQUIPMENT IS NOT FOR GENERAL PURPOSE USE. USE ONLY FOR DESIGNATED APPROVED WATER PUMP.

Motor Switch

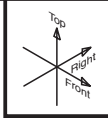
*542 18 08-10 Compl (1-Phase)
**542 03 00-71 Compl (3-Phase)



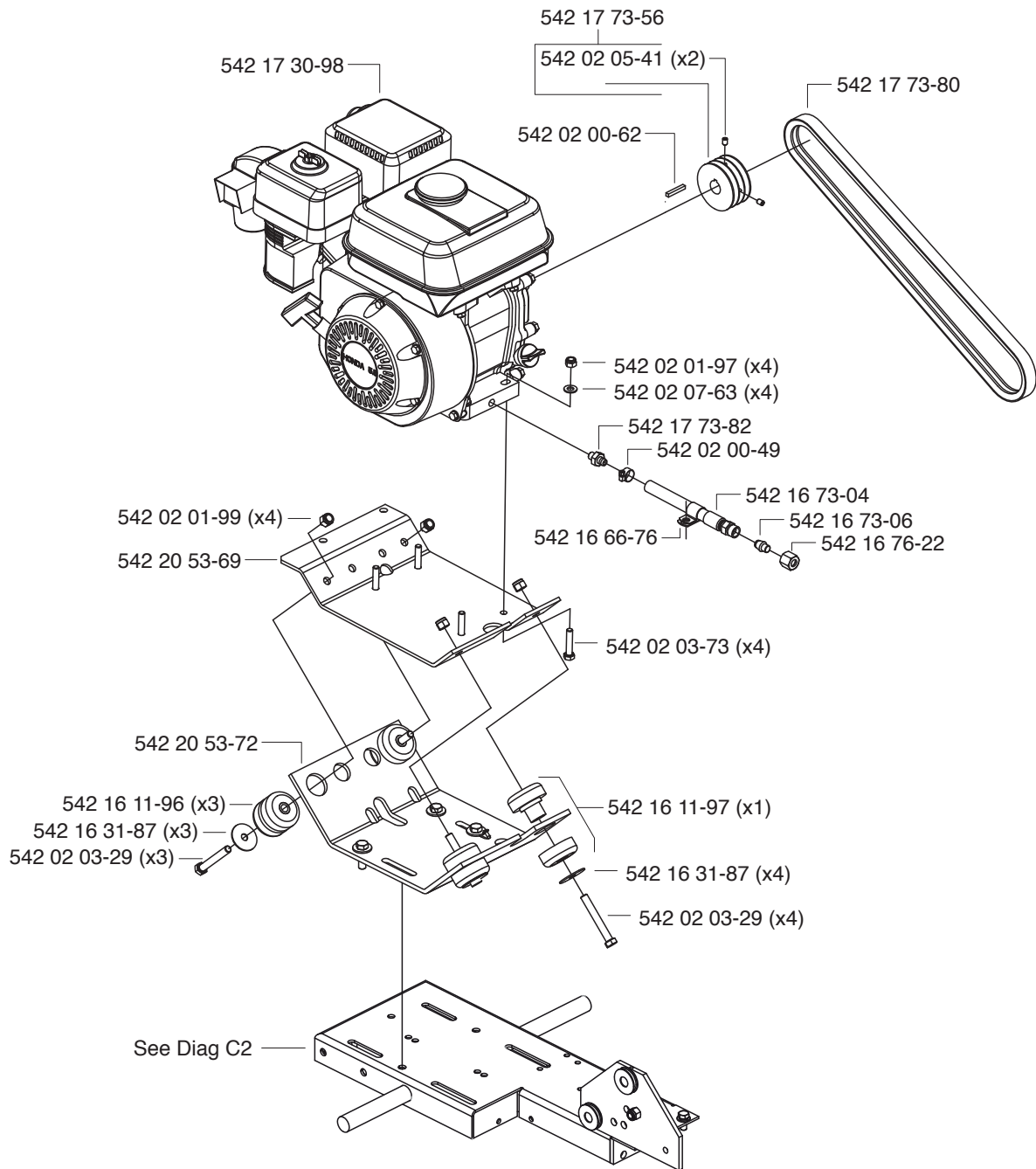
D2 Engine - Gas Honda



D2 Engine - Gas

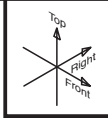


11.27.06

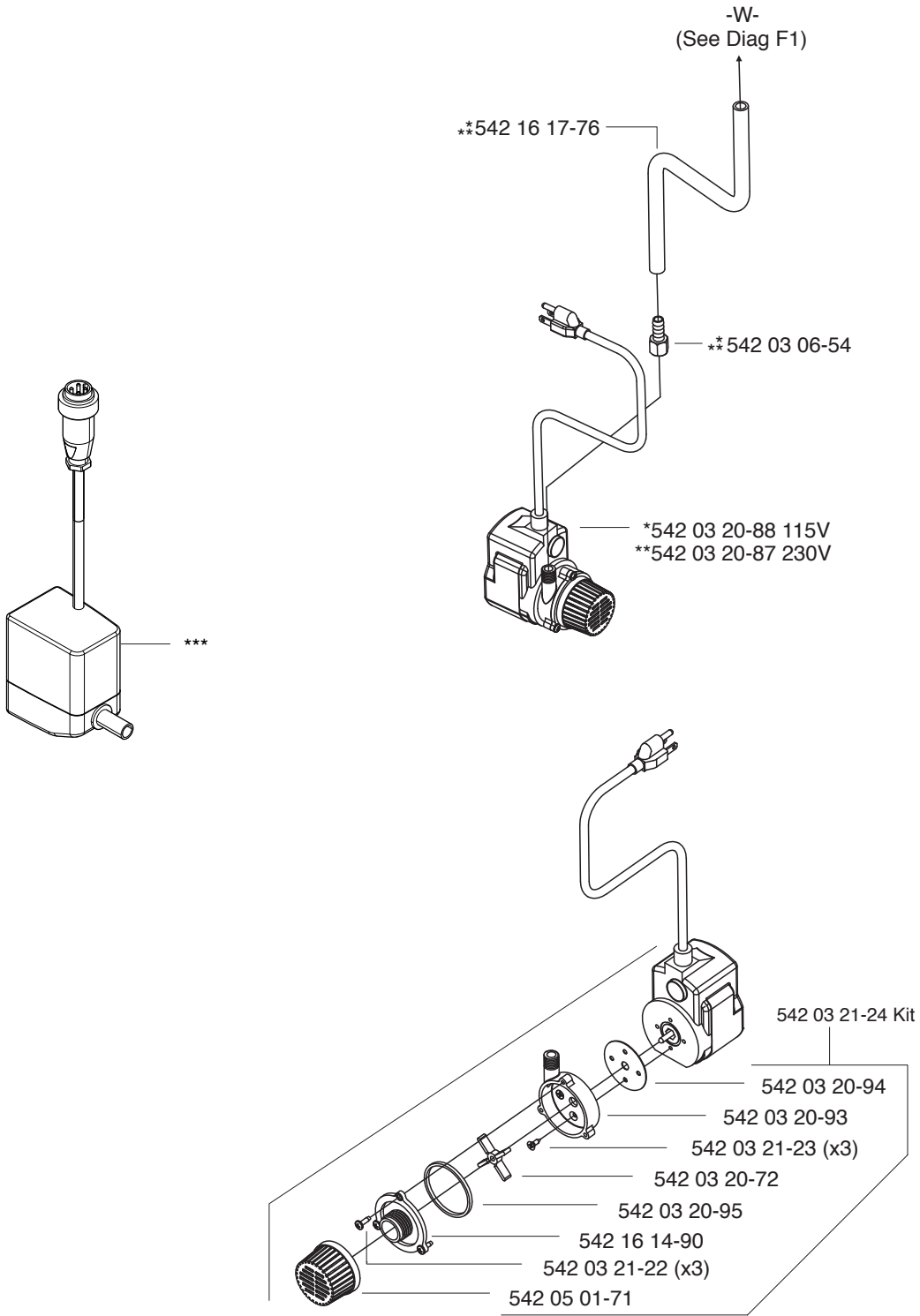


E1 Water Pump

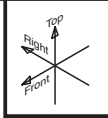
- *542 03 26-05 Compl (115V/50-60Hz)
- **542 03 26-06 Compl (230V/50-60Hz)
- ***577 52 01-04 Compl (230V/50-60Hz)



12.11.06

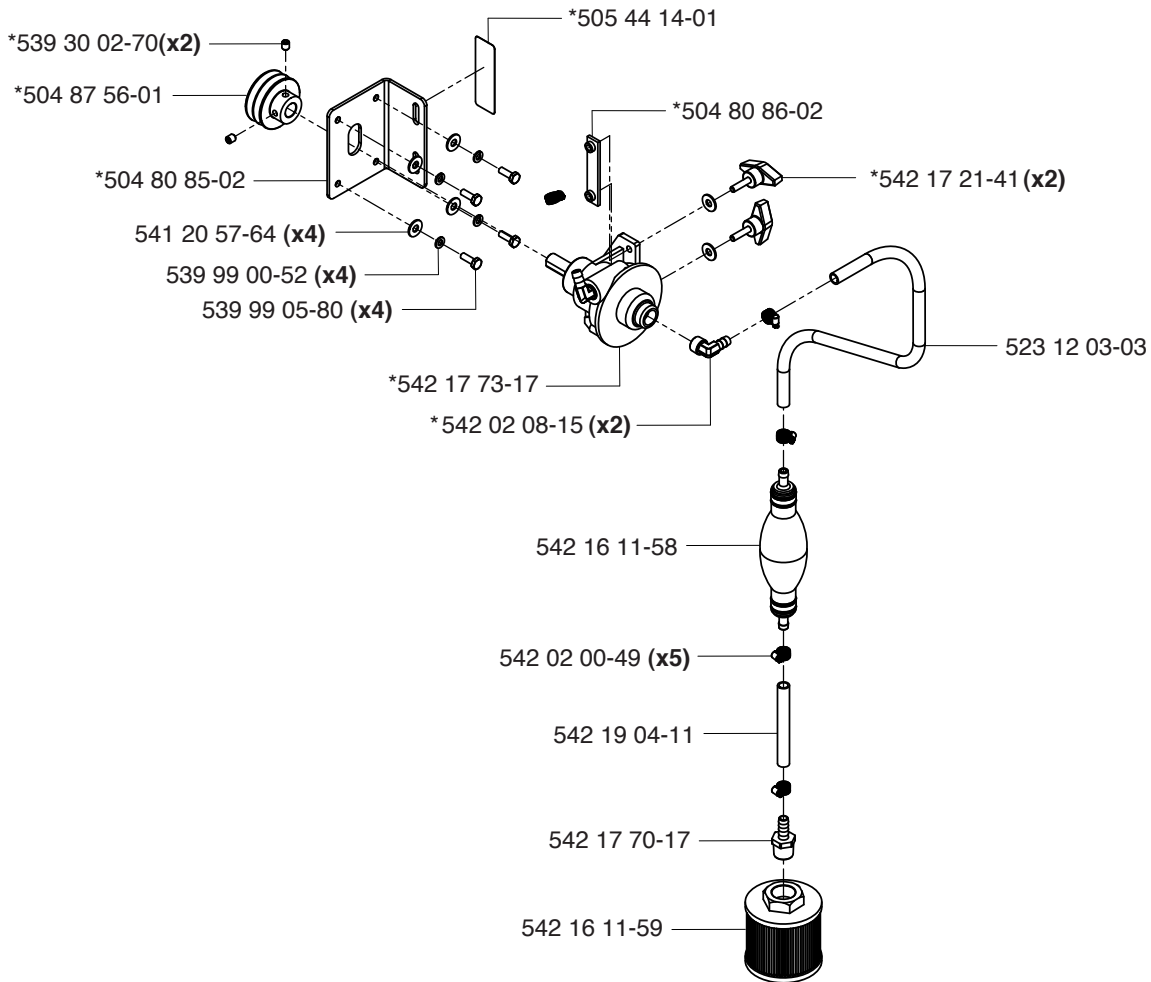


E2 Water Pump - Gas

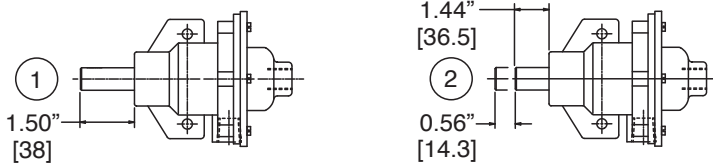


11.17.06

*505 43 94-02, Water pump assy



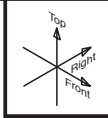
542 17 73-75 (w/ Mod. Shaft) Compl



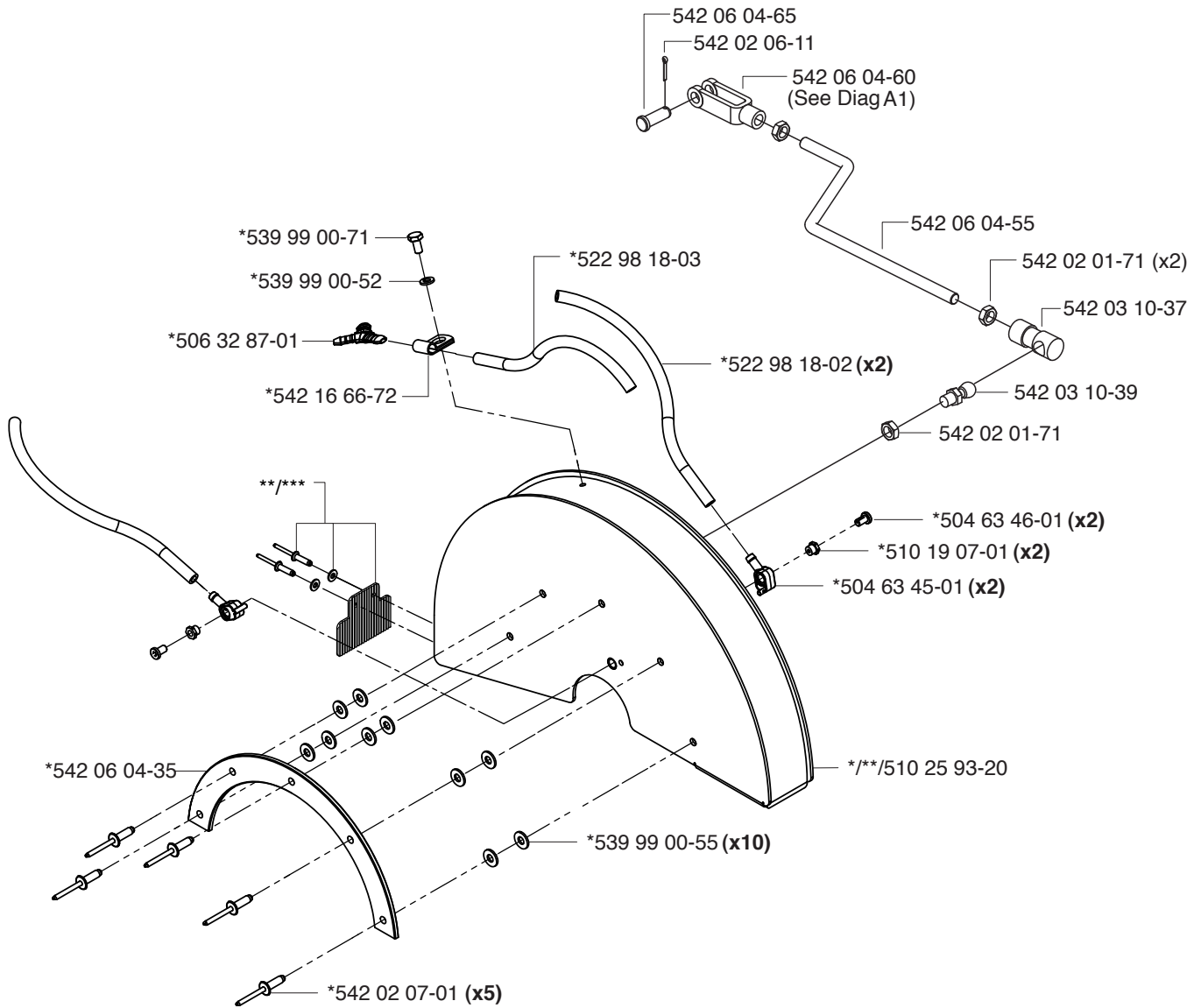
542 17 74-24 Kit, Repair

F1 Blade Guard - Electric

- *510 43 73-03 - Compl
- **585 40 95-02 - Compl
- ***585 40 99-01 - Compl



12.07.06



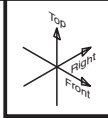
**542 17 75-88

WARNING

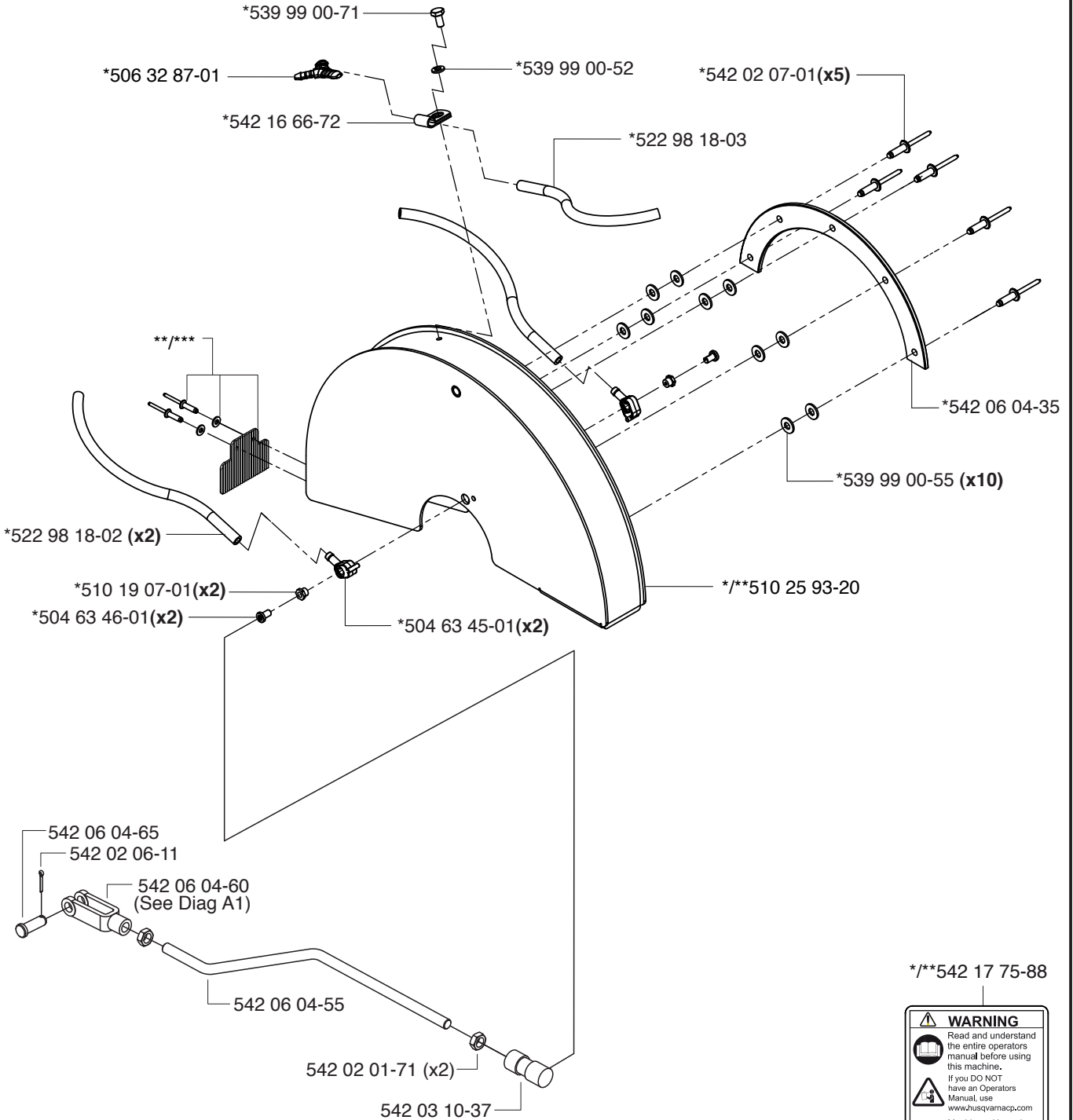
- Read and understand the entire operators manual before using this machine.
- If you DO NOT have an Operators Manual, use www.husqvarnmacp.com
- Machinery Hazard - Always keep all guards in place. - Always keep all parts of your body away from all moving parts.
- Always use only in well ventilated areas.
- DO NOT operate near combustible material.
- Always wear approved equipment.

F2 Blade Guard - Gas

*510 43 73-18 14" - Compl
 **585 40 95-01 - Compl
 ***585 40 99-01 - Compl



12.07.06



**542 17 75-88

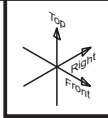
WARNING

- Read and understand the entire operators manual before using this machine.
- If you DO NOT have an Operators Manual, use www.husqvarnacp.com
- Machinery Hazard** - Always keep all guards in place. - Always keep all parts of your body away from all moving parts.
- Always use only in well ventilated areas.
- DO NOT operate near combustible material.

Always wear approved equipment.

G Folding Stand (Optional) - Skid Kit (Optional)

(For Electric & Gas Models)



11.14.06

