

K970

K970 Rescue

Reservdelar

Spare parts

Ersatzteile

Pieces de rechange

Piezas de repuesto

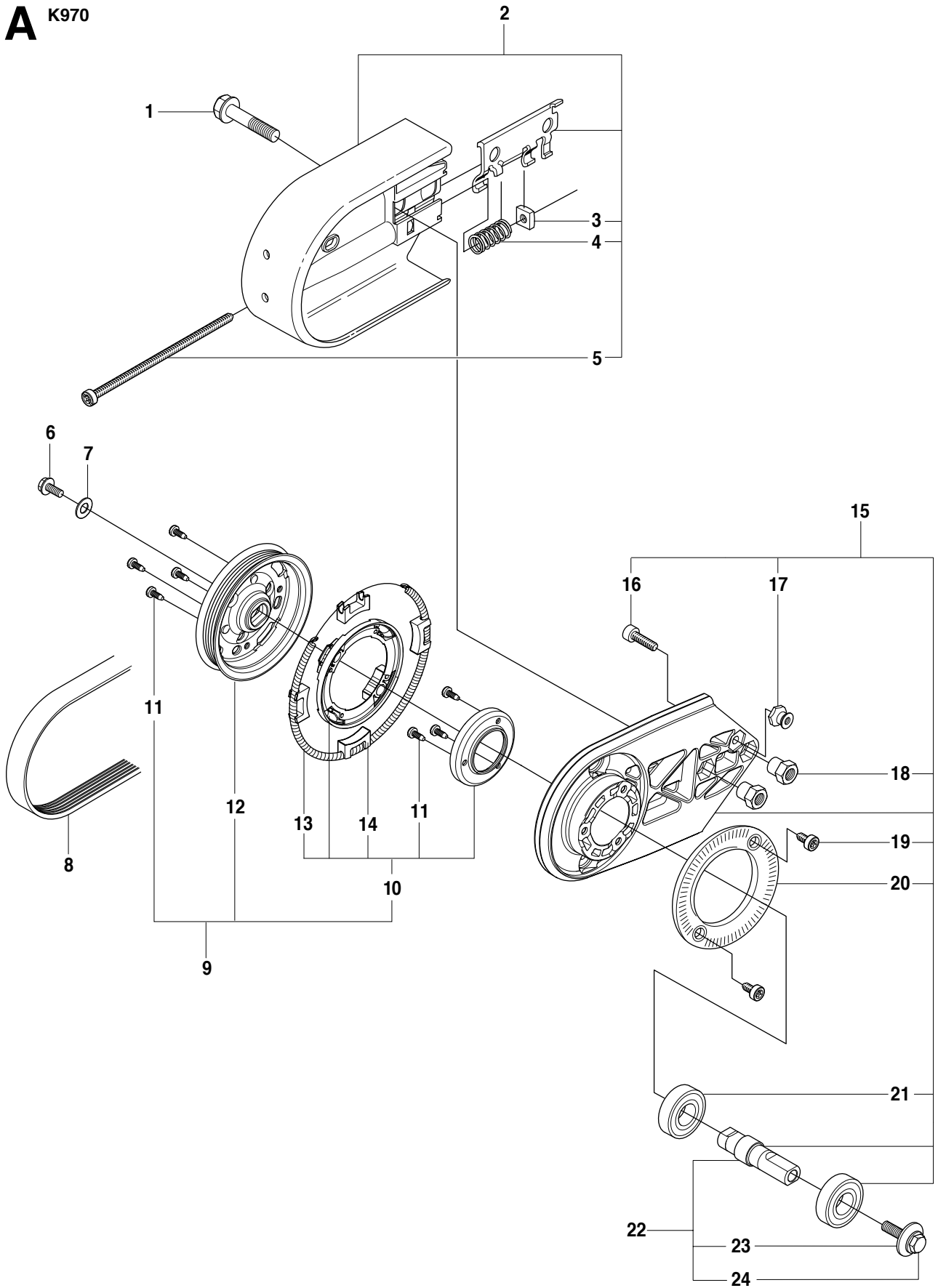
Ricambi

Peças sobresselente

No.	Pos.	Description	No.	Pos.	Description
501 27 08-01	D	GUIDE BUSHING	505 42 45-02	G	SPRING HOLDER
501 37 56-02	K	FLYWHEEL	505 44 54-03	A	PULLEY
501 48 54-02	K	SPARK PLUG CAP	505 57 41-16	AB	SCREW
501 63 48-01	K	SPRING	506 00 69-01	K	SCREW
501 67 32-03	K	PAWL	506 02 87-01	B	FLANGE WASHER
501 83 98-01	K	CABLE	506 02 88-30	B	BUSHING
501 97 18-01	M	SCREW	506 07 09-01	B	FLANGE WASHER
501 98 10-01	L	SCREW	506 13 95-11	AB	WASHER
501 98 10-20	J	SCREW	506 13 96-01	AB	COLLAR SCREW
502 21 58-01	N	L-SPANNER	506 14 32-01	A	TORSION STOP
502 28 92-02	C	DRIVING PULLEY ASSY	506 23 20-11	M	CHOKE
502 44 58-01	M	GASKET KIT	506 25 14-01	J	GROMMET
502 44 59-01	M	REPAIR KIT	506 25 30-01	J	COMPRESSION SPRING
502 47 16-01	H	GROUND SUPPORT	506 25 59-03	H	TANK CAP ASSY
502 47 18-01	H	THROTTLE CONTROL	506 25 81-02	J	STARTER PULLEY
503 12 79-01	J	STARTER HANDLE	506 25 89-01	J	RECOIL SPRING
503 14 29-02	Q	WASHER	506 26 31-01	J	SPACING SLEEVE
503 14 51-01	C	CLUTCH SPRING	506 26 41-01	H	FUEL FILTER
503 20 00-45	A	SCREW	506 26 41-11	H	FUEL FILTER ASSY
503 20 72-05	A	SCREW	506 26 63-02	BQ	LINING
503 21 07-22	J	SCREW	506 26 64-01	B	RATCHET FLANGE
503 21 28-06	K	SCREW	506 26 65-01	B	FLANGE
503 21 28-10	AHJ	SCREW	506 26 68-01	A	COMPRESSION SPRING
503 21 53-10	A	SCREW	506 27 11-01	H	HOSE CLAMP
503 21 53-12	GQ	SCREW	506 27 25-01	M	WEAR PROTECTION
503 21 53-16	M	SCREW	506 28 41 22	B	LABEL
503 21 53-20	BKQ	SCREW	506 28 41-02	B	LABEL
503 21 53-21	C	SCREW	506 28 41-04	B	LABEL
503 21 53-25	E	SCREW	506 28 41-12	B	LABEL
503 21 53-26	L	SCREW	506 28 41-14	B	LABEL
503 21 53-30	LM	SCREW	506 28 41-24	B	LABEL
503 21 53-49	D	SCREW	506 28 44-01	A	COLLAR SCREW
503 21 53-56	L	SCREW	506 28 73-01	A	NUT
503 21 54-20	GP	SCREW	506 28 84-01	A	SCREEN PATTERN FLANG
503 21 54-45	G	SCREW	506 29 21-01	H	GASKET
503 22 10-11	K	NUT	506 29 57-02	P	NIPPLE
503 22 65-04	Q	NUT	506 29 75-02	Q	STARTER HANDLE
503 23 00-42	K	WASHER STEEL	506 29 76-01	Q	SHOULDER STRAP
503 23 01-01	K	WASHER STEEL	506 29 83-65	A	SHAFT ASSY
503 23 01-16	A	WASHER STEEL	506 29 88-01	P	FILTER
503 23 04-02	E	WASHER	506 30 23-02	Q	LABEL
503 23 51-09	K	SPARK PLUG	506 30 25-06	Q	BRACKET
503 25 00-02	DF	BALL BEARING	506 30 97-05	A	LABEL
503 25 21-01	AEF	BALL BEARING	506 31 24-01	P	VALVE SPINDLE
503 26 02-04	DN	SEALING RING	506 31 30-01	H	LABLE
503 26 02-05	E	SEALING RING	506 31 69-01	C	DUST COVER
503 26 60-03	GP	COUPLER	506 31 86-02	K	STOP SWITCH
503 26 60-04	GP	COUPLER	506 32 20-02	Q	LABEL
503 28 90-35	E	PISTON RING	506 32 22-02	Q	LABEL
503 57 89-01	H	HOLDER ASSY	506 32 48-01	B	SUPPORT FLANGE
503 66 56-01	E	DECOMPRESSION VALVE	506 33 56-15	J	STARTER CORD
503 70 15-01	C	CLUTCH ASSY	506 33 56-50	J	STARTER CORD
503 73 58-01	H	BUSHING	506 34 05-42	B	WHEEL GUARD ASSY
504 03 70-07	A	PULLEY	506 34 05-44	B	WHEEL GUARD ASSY
504 06 22-01	A	PULLEY	506 34 05-46	B	WHEEL GUARD ASSY
504 63 42-01	P	NIPPLE	506 34 05-52	Q	WHEEL GUARD ASSY
504 63 44-01	P	HOUSING	506 34 05-54	Q	WHEEL GUARD ASSY
504 63 45-01	P	HOUSING	506 34 46-02	BQ	HANDLE
504 63 46-01	P	SCREW	506 35 27-01	P	PROTECTIVE SPRING
505 09 54-01	P	HOSE KIT	506 37 28-01	E	MUFFLER
505 09 55-01	P	HOSE KIT	506 37 81-01	DEN	GASKET MUFFLER
505 09 55-01	G	HOSE KIT	506 37 96-20	B	BUSHING
505 10 35-01	P	O-RING	506 37 96-22	B	BUSHING
505 14 84-01	M	LEVER	506 37 96-25	B	BUSHING
505 25 96-03	E	MUFFLER MOUNT KIT	506 38 26-01	N	COMBINATION TOOL
505 26 89-01	G	HANDLE	506 38 60-12	P	VALVE ASSY
505 27 75-16	K	INSULATING CAP	506 38 78-34	K	IGNITION CABLE
505 28 33-06	M	HOSE CLAMP	506 39 36-02	A	BELT GUARD
505 34 94-01	J	STARTER COVER	506 39 42-08	A	BEARING HOUSING
505 34 95-01	L	FILTER COVER	506 40 93-01	A	NUT

No.	Pos.	Description	No.	Pos.	Description
506 41 32-02	E	PISTON	576 42 69-01	L	CYLINDER COVER ASSY
506 41 39-04	DEN	GASKET	576 49 04-01	HM	THROTTLE CABLE ASSY
506 41 41-01	M	INLET PIPE	576 49 94-01	DEN	GASKET
506 41 42-01	M	PLATE	720 12 40-20	H	PARALLEL PIN
506 41 44-01	F	CUP	734 11 47-41	G	WASHER
506 49 87-01	P	HOSE CLAMP	737 44 13-00	E	CIRCLIP
506 49 87-02	P	HOSE CLAMP	740 43 13-00	J	O-RING
506 60 68-06	P	HOSE	740 48 20-03	L	O-RING
506 60 75-01	P	HOSE			
510 11 56-01	K	IGNITION MODULE			
510 21 34-01	C	BELT GUARD			
510 24 39-01	M	FILTER CONNECTION			
510 24 41-01	L	AIR FILTER			
510 25 52-01	H	THROTTLE LOCKNUT			
521 92 67-01	M	INLET PIPE			
522 79 96-01	H	HOLDER ASSY			
522 85 61-01	D	RUBBER BUSHING			
522 85 62-01	M	FLANGE INLET PIPE			
522 94 20-01	M	CARBURETTOR			
525 57 11-01	J	DECAL			
525 57 16-01	L	LABEL			
525 57 16-02	L	LABEL			
525 57 17-01	L	AIR NOZZLE			
525 57 20-01	H	DECAL START INSTRUCTION			
525 61 70-04	L	SEALING			
525 76 35-01	L	LABEL			
525 81 81-03	L	LABEL			
525 81 81-04	L	LABEL			
525 83 18-01	C	BALL BEARING			
537 04 24-04	H	FUEL HOSE			
537 20 56-01	H	COVER			
537 20 85-01	H	CABLE LEVER			
537 20 98-01	H	SPRING			
537 21 03-05	H	ANTIVIBRATION ELEMENT			
537 21 03-09	H	ANTIVIBRATION ELEMENT			
537 21 03-10	H	ANTIVIBRATION ELEMENT			
537 35 95-01	H	TANK VENT ASSY			
540 05 49-02	H	AIR PURGE			
544 06 12-01	GH	SCREW			
544 11 39-01	M	CONSOLE			
544 15 01-01	M	FLANGE			
544 21 52-01	E	HEAT DEFLECTOR			
544 21 84-01	E	SCREW			
544 22 98-03	DEN	GASKET KIT			
544 23 26-01	M	CHISEL GUIDE			
544 28 75-02	J	COOLING AIR CONDUCTOR			
544 32 49-30	H	FUEL HOSE			
544 32 50-02	H	FUEL HOSE			
544 36 64-01	C	LINING			
544 44 04-02	A	BRAKE SHOE			
544 44 10-01	A	DRAW SPRING			
544 81 16-01	G	BASE GROUND SUPPORT			
544 89 06-01	Q	LABEL			
544 89 06-03	Q	LABEL			
544 89 15-01	G	GROUND SUPPORT ASSY			
544 90 84-03	A	BELT			
544 90 84-04	A	BELT			
544 93 31-01	C	LABEL			
544 93 56-03	E	CYLINDER ASSY			
574 26 73-01	C	DRIVING PULLEY ASSY			
574 26 76-01	F	CRANKSHAFT ASSY			
574 44 42-01	H	CLIPS			
574 50 58-04	H	FUEL TANK ASSY			
574 50 73-03	J	STARTER ASSY			
575 52 65-01	H	CHECK VALVE			
576 12 09-01	L	LABEL			
576 12 10-02	B	LABEL			
576 12 10-03	B	LABEL			
576 41 28-01	D	CRANKCASE ASSY			
576 41 28-02	R	LONG BLOCK			

A K970



★Vベルトの張り直し
Vベルトカバー上の2箇のナットを締め、V
ベルトカバー上の「矢印」位置に四角ナットを
セットします。再び2箇のナットを締め付けます。

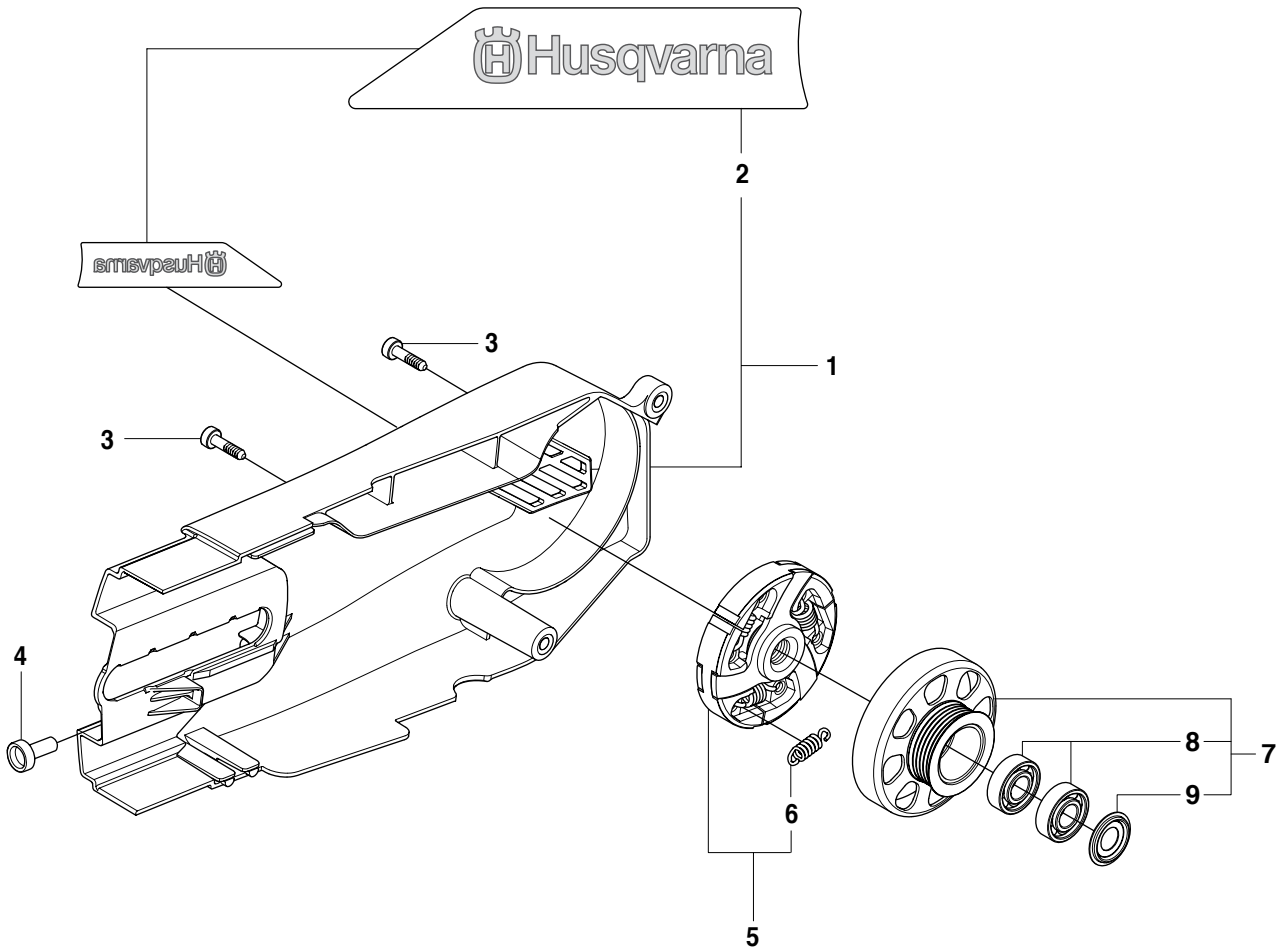


Page A
K970

Pos.	Part No.	Description	Quantity	Notes	New Part
1	506 28 44-01	COLLAR SCREW	2		
2	506 39 36-02	BELT GUARD	1	Incl. 3 - 5	
3	506 40 93-01	NUT	1		
4	506 26 68-01	COMPRESSION SPRING	1		
5	503 20 72-05	SCREW	1		
6	503 20 00-45	SCREW	1		
7	503 23 01-16	WASHER STEEL	1		
8	544 90 84-03	BELT	1	12", 14"	
8	544 90 84-04	BELT	1	16"	
9	504 03 70-07	PULLEY	1	Incl. 10 - 12	
10	505 44 54-03	PULLEY	1	Incl. 11, 13 - 14	
11	503 21 28-10	SCREW	7		
12	504 06 22-01	PULLEY	1		
13	544 44 10-01	DRAW SPRING	1		
14	544 44 04-02	BRAKE SHOE	4		
15	506 39 42-08	BEARING HOUSING	1	Incl. 16 - 21	
16	505 57 41-16	SCREW	1		
17	506 14 32-01	TORSION STOP	1		
18	506 28 73-01	NUT	2		
19	503 21 53-10	SCREW	2		
20	506 28 84-01	SCREEN PATTERN FLANG	1		
21	503 25 21-01	BALL BEARING	2		
22	506 29 83-65	SHAFT ASSY	1	Incl. 23 - 24	
23	506 13 95-11	WASHER	1		
24	506 13 96-01	COLLAR SCREW	1		
25	506 30 97-05	LABEL	1	Japan	

Page B
K970

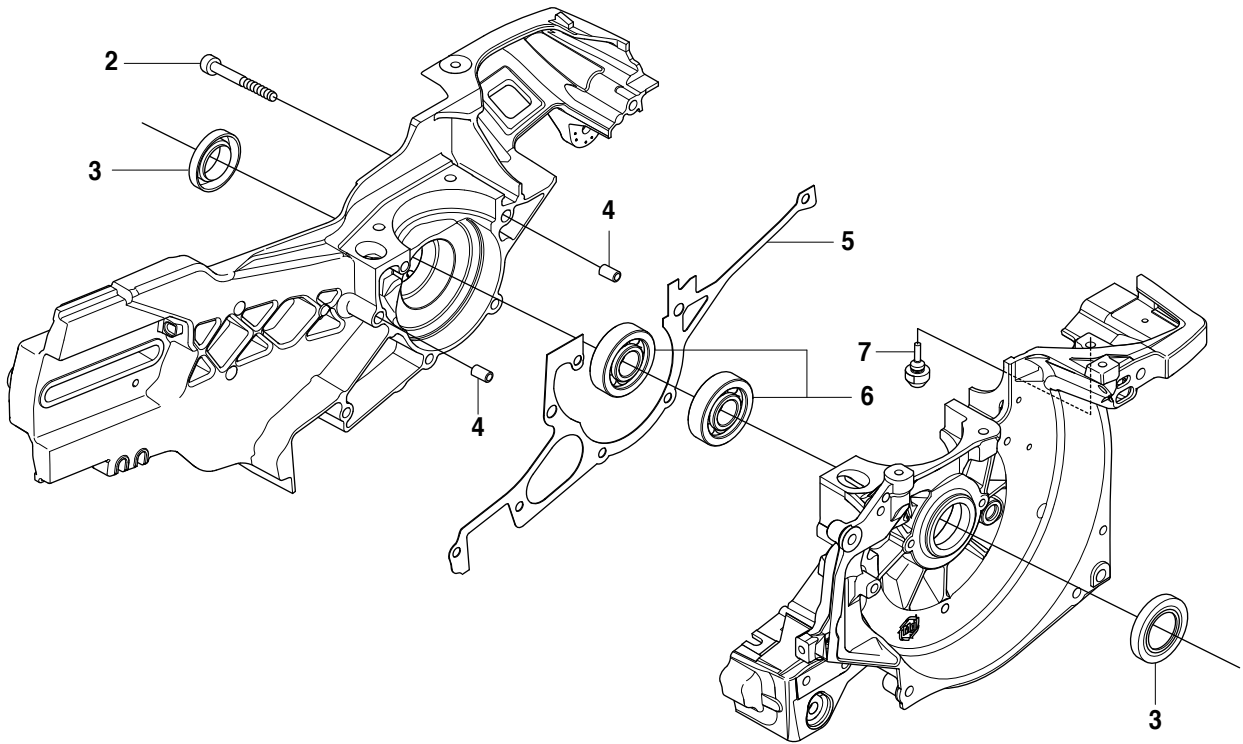
Pos.	Part No.	Description	Quantity	Notes	New Part
1	506 34 05-42	WHEEL GUARD ASSY	1	12". Incl. 2 - 4	
1	506 34 05-44	WHEEL GUARD ASSY	1	14". Incl. 2 - 4	
1	506 34 05-46	WHEEL GUARD ASSY	1	16". Incl. 2 - 4	
2	506 26 63-02	LINING	1		
3	503 21 53-20	SCREW	1		
4	506 34 46-02	HANDLE	1		
5	506 26 64-01	RATCHET FLANGE	1		
6	506 26 65-01	FLANGE	1		
7	505 57 41-16	SCREW	3		
8	506 32 48-01	SUPPORT FLANGE	1		
9	506 02 87-01	FLANGE WASHER	1	Diam 105	
9	506 07 09-01	FLANGE WASHER	1	Diam 119	
10	506 37 96-20	BUSHING	1	Diam 20	
10	506 37 96-22	BUSHING	1	Diam 22,2	
10	506 37 96-25	BUSHING	1	Diam 25	
10	506 02 88-30	BUSHING	1	Diam 30,5	
11	506 13 96-01	COLLAR SCREW	1		
12	506 13 95-11	WASHER	1		
13	506 28 41-02	LABEL	1	12". Diam 20 mm	
13	506 28 41-04	LABEL	1	12". Diam 1"	
13	506 28 41-12	LABEL	1	14". Diam 20 mm	
13	506 28 41-14	LABEL	1	14". Diam 1"	
13	506 28 41 22	LABEL	1	16". Diam 20 mm	
13	506 28 41-24	LABEL	1	16". Diam 1"	
14	576 12 10-02	LABEL	1	Japan 14"	
14	576 12 10-03	LABEL	1	Japan 16"	



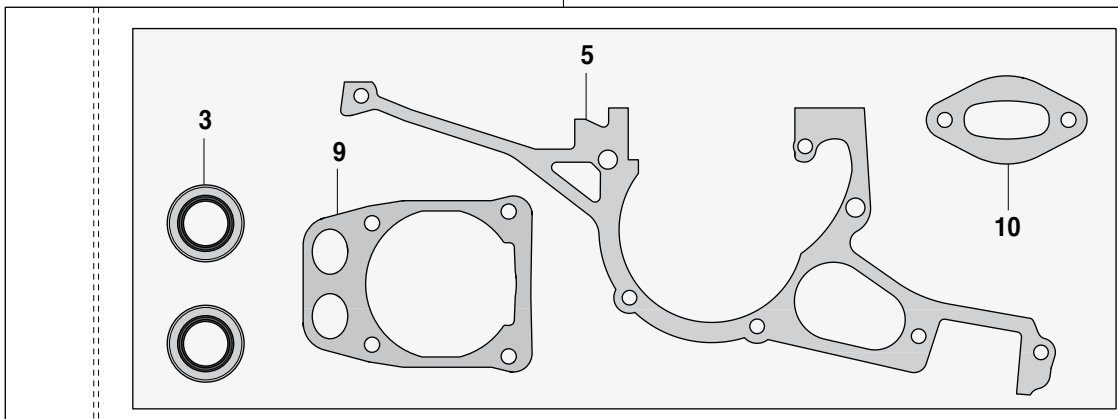
Page C
K970

Pos.	Part No.	Description	Quantity	Notes	New Part
1	510 21 34-01	BELT GUARD	1	Incl. 2	
2	544 93 31-01	LABEL	1		
3	503 21 53-21	SCREW	2		
4	544 36 64-01	LINING	1		
5	503 70 15-01	CLUTCH ASSY	1	Incl. 6	
6	503 14 51-01	CLUTCH SPRING	3		
7	502 28 92-02	DRIVING PULLEY ASSY	1	12", 14". Incl. 8 - 9	
7	574 26 73-01	DRIVING PULLEY ASSY	1	16". Incl. 8 - 9	
8	525 83 18-01	BALL BEARING	2		
9	506 31 69-01	DUST COVER	1		

1

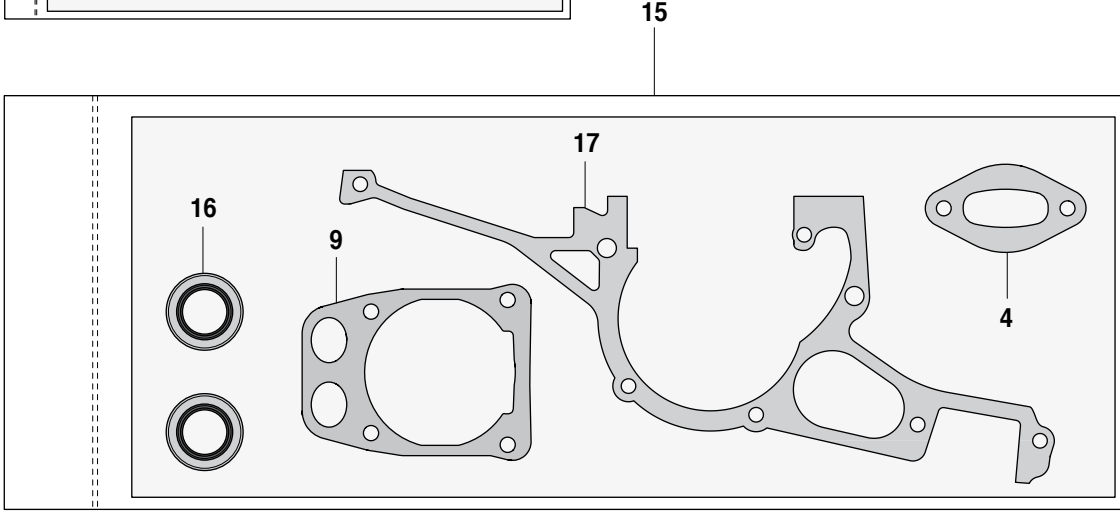
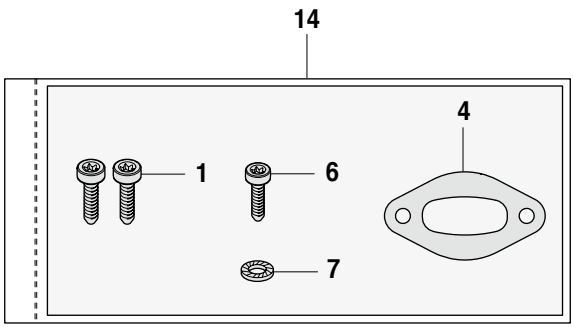
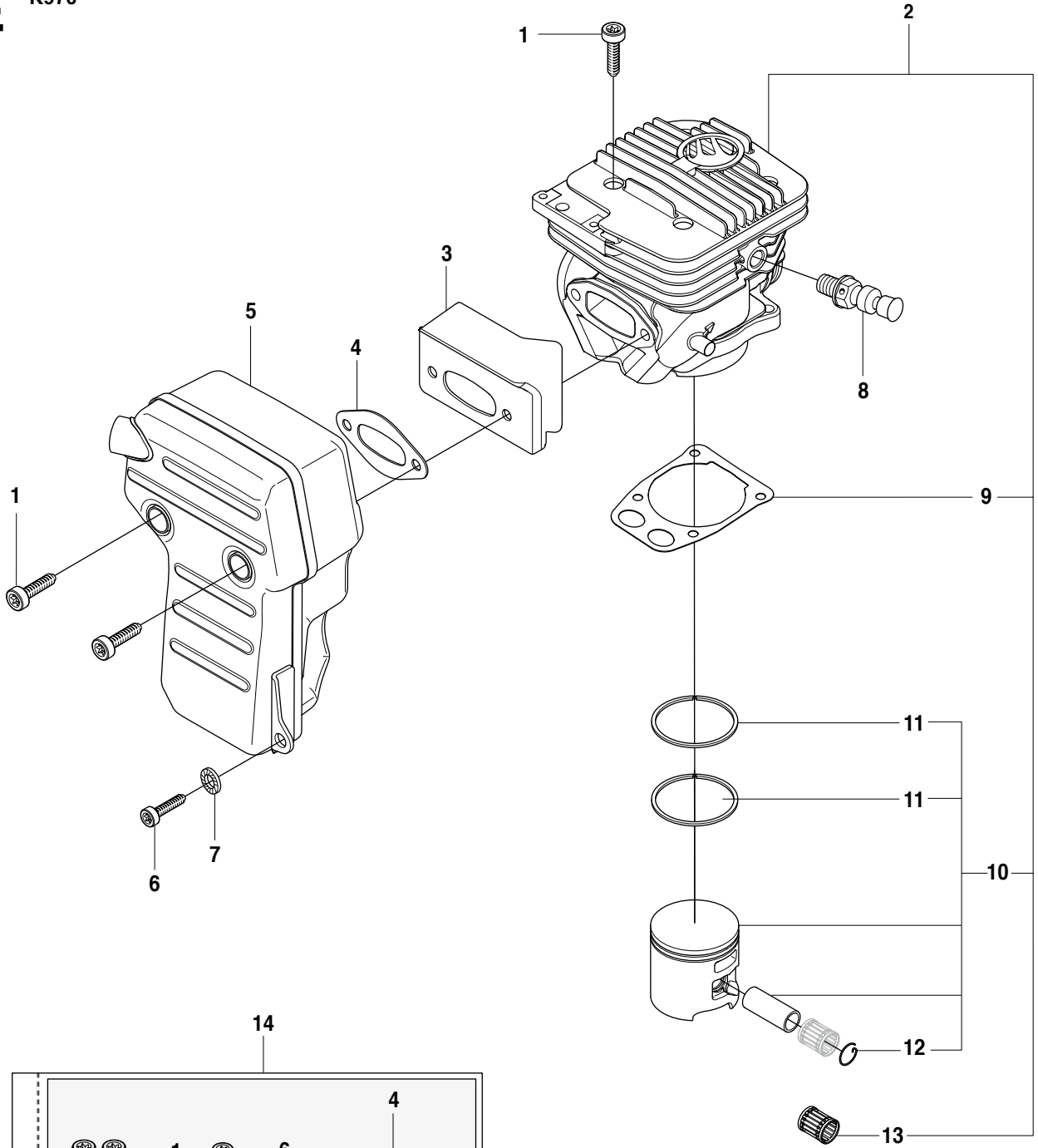


8



Page D
K970

Pos.	Part No.	Description	Quantity	Notes	New Part
1	576 41 28-01	CRANKCASE ASSY	1	Incl. 2 - 8	
2	503 21 53-49	SCREW	7		
3	503 26 02-04	SEALING RING	2		
4	501 27 08-01	GUIDE BUSHING	2		
5	506 41 39-04	GASKET	1		
6	503 25 00-02	BALL BEARING	2		
7	522 85 61-01	RUBBER BUSHING	1		
8	544 22 98-03	GASKET KIT	1	Incl. 3, 5, 9, 10	
9	576 49 94-01	GASKET	1		
10	506 37 81-01	GASKET MUFFLER	1		

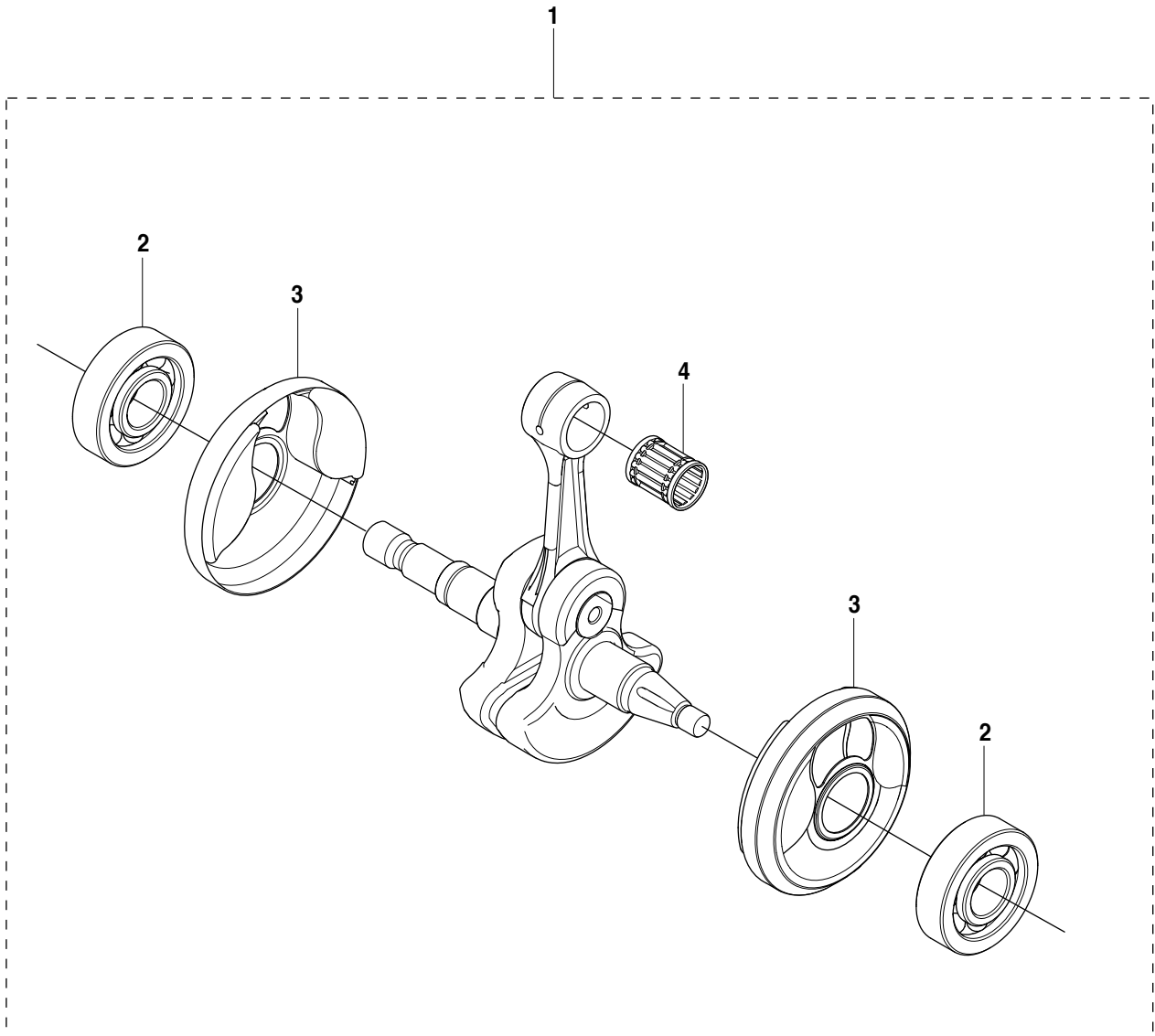


Page E
K970

Pos.	Part No.	Description	Quantity	Notes	New Part
1	544 21 84-01	SCREW	6		
2	544 93 56-03	CYLINDER ASSY	1	Incl. 9 - 10, 13	
3	544 21 52-01	HEAT DEFLECTOR	1		
4	506 37 81-01	GASKET MUFFLER	1		
5	506 37 28-01	MUFFLER	1		
6	503 21 53-25	SCREW	1		
7	503 23 04-02	WASHER	1		
8	503 66 56-01	DECOMPRESSION VALVE	1		
9	576 49 94-01	GASKET	1		
10	506 41 32-02	PISTON	1	Incl. 11 - 12	
11	503 28 90-35	PISTON RING	2		
12	737 44 13-00	CIRCLIP	2		
13	503 25 61-01	NEEDLE BEARING	1		
14	505 25 96-03	MUFFLER MOUNT KIT	1	Incl. 1, 4, 6 - 7	
15	544 22 98-03	GASKET KIT	1	Incl. 4, 9, 16 - 17	
16	503 26 02-05	SEALING RING	2		
17	506 41 39-04	GASKET	1		

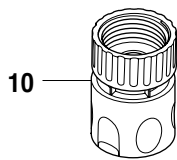
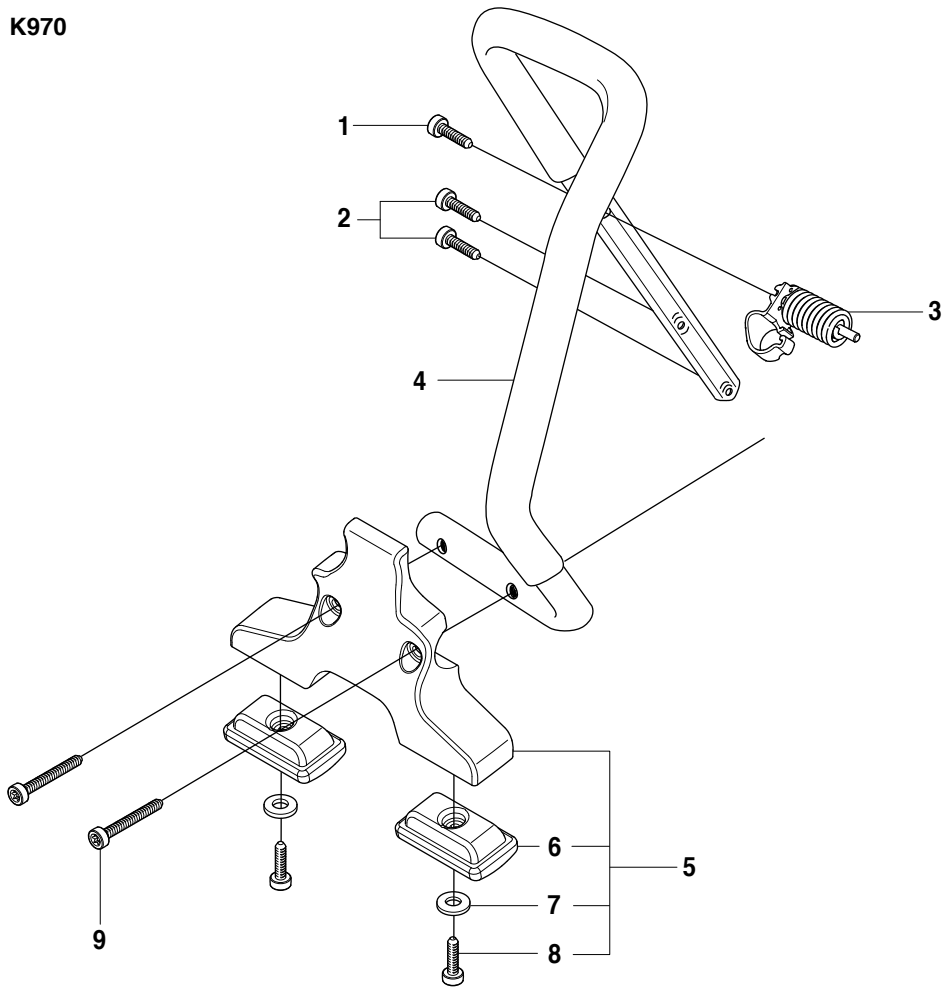
F

K970

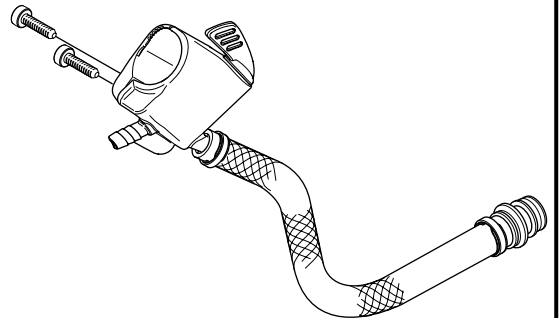


Page F
K970

Pos.	Part No.	Description	Quantity	Notes	New Part
1	574 26 76-01	CRANKSHAFT ASSY	1	Incl. 2 - 4	
2	503 25 00-02	BALL BEARING	2		
3	506 41 44-01	CUP	2		
4	503 25 61-01	NEEDLE BEARING	1		



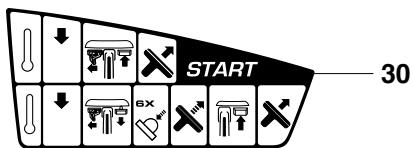
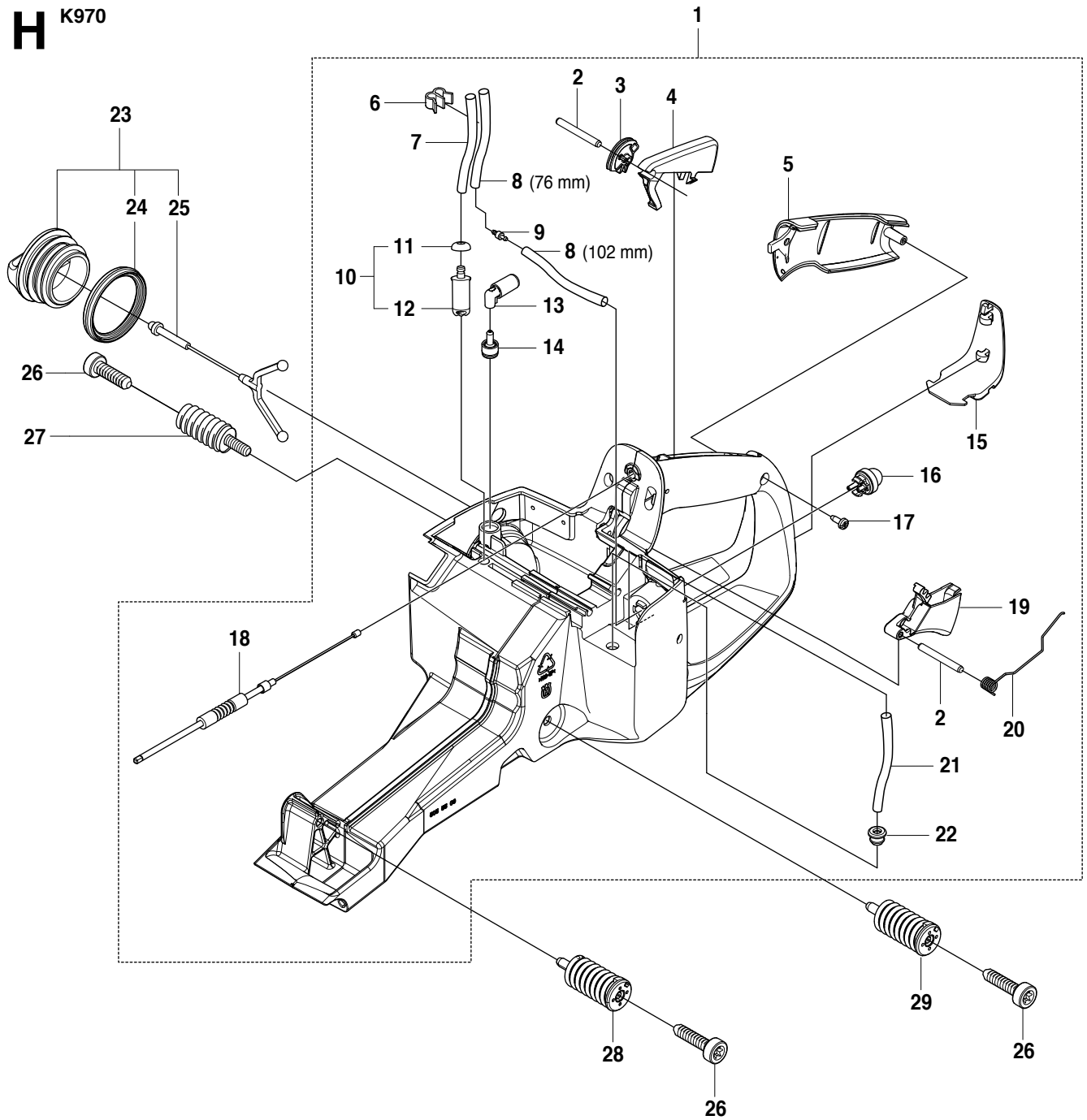
11



Page G
K970

Pos.	Part No.	Description	Quantity	Notes	New Part
1	544 06 12-01	SCREW	1		
2	503 21 54-20	SCREW	2		
3	505 42 45-02	SPRING HOLDER	1		
4	505 26 89-01	HANDLE	1		
5	544 89 15-01	GROUND SUPPORT ASSY	1	Incl. 6 - 8	
6	544 81 16-01	BASE GROUND SUPPORT	2		
7	734 11 47-41	WASHER	2		
8	503 21 53-12	SCREW	2		
9	503 21 54-45	SCREW	2		
10	503 26 60-03	COUPLER	1	USA, Canada	
10	503 26 60-04	COUPLER	1		
11	505 09 55-01	HOSE KIT	1		

H K970



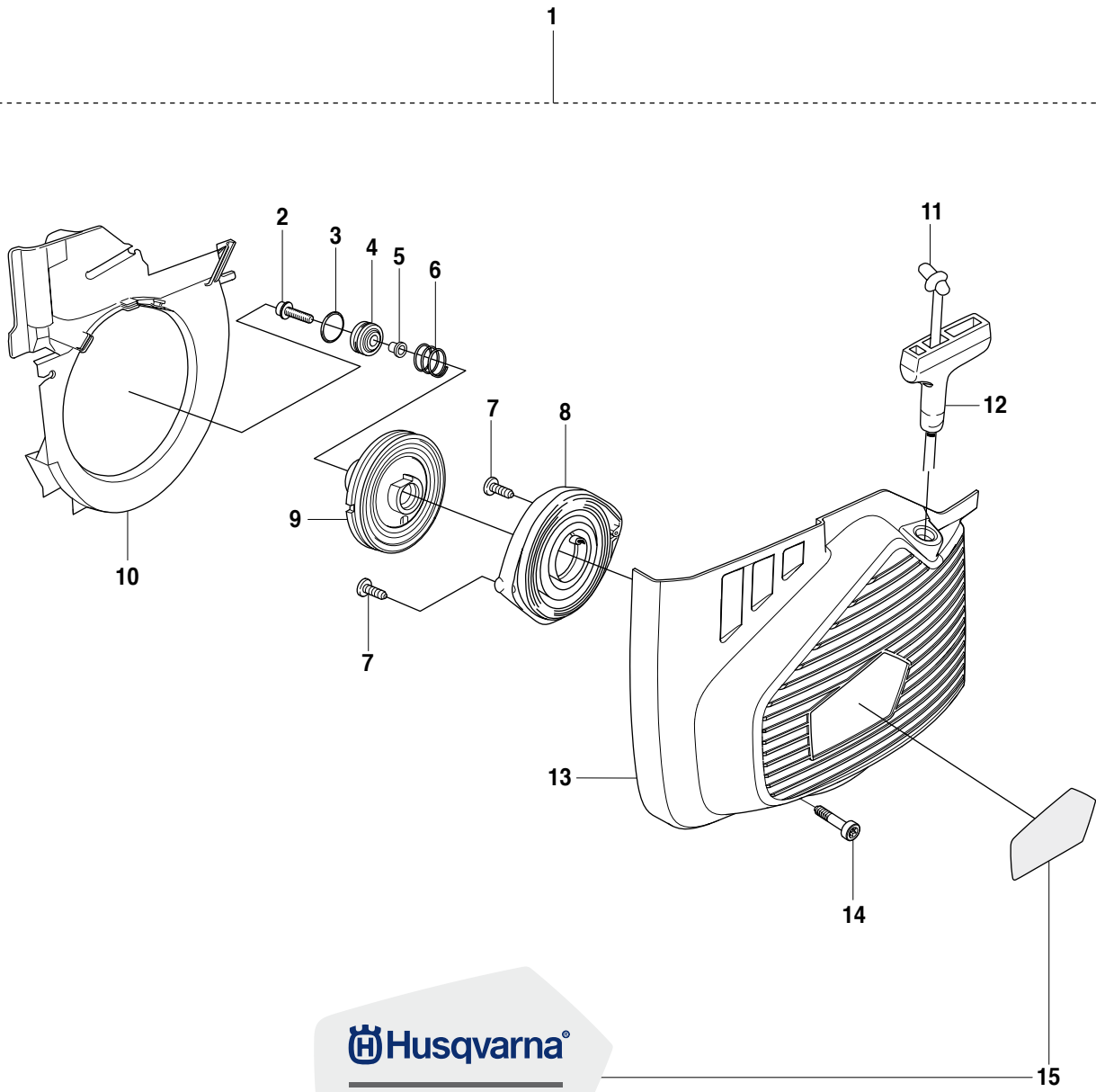
燃料は

ガソリン 25 : 1 2サイクル専用オイル

31

Page H
K970

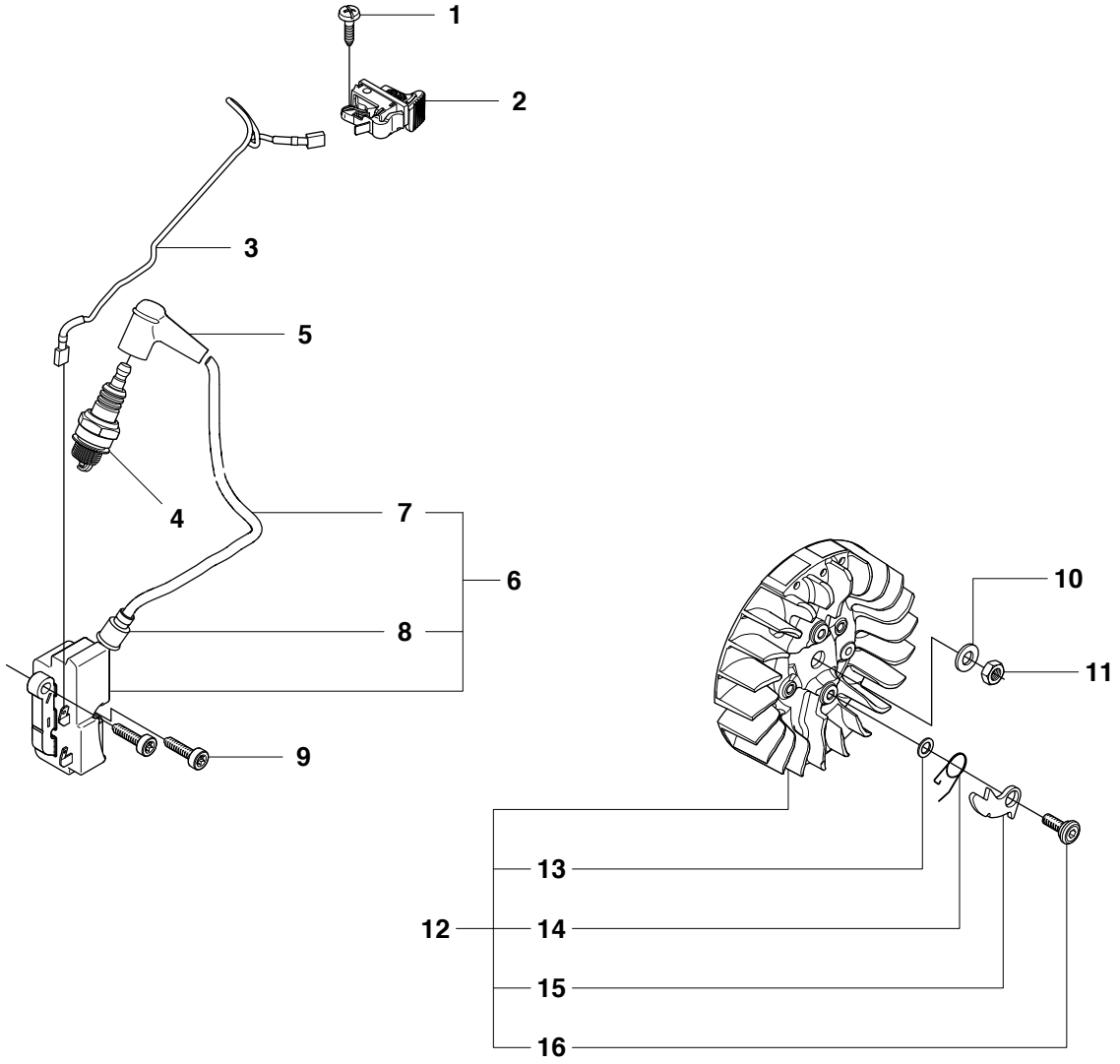
Pos.	Part No.	Description	Quantity	Notes	New Part
1	574 50 58-04	FUEL TANK ASSY	1	Incl. 2 - 21	
2	720 12 40-20	PARALLEL PIN	2		
3	537 20 85-01	CABLE LEVER	1		
4	510 25 52-01	THROTTLE LOCKNUT	1		
5	537 20 56-01	COVER	1		
6	574 44 42-01	CLIPS	1		
7	544 32 50-02	FUEL HOSE	1	300 mm	
8	537 04 24-04	FUEL HOSE	1	190 mm	
9	575 52 65-01	CHECK VALVE	1		
10	506 26 41-11	FUEL FILTER ASSY	1	Incl. 11 - 12	
11	506 27 11-01	HOSE CLAMP	1		
12	506 26 41-01	FUEL FILTER	1		
13	522 79 96-01	HOLDER ASSY	1		
14	537 35 95-01	TANK VENT ASSY	1		
15	502 47 16-01	GROUND SUPPORT	1		
16	540 05 49-02	AIR PURGE	1		
17	503 21 28-10	SCREW	1		
18	576 49 04-01	THROTTLE CABLE ASSY	1		
19	502 47 18-01	THROTTLE CONTROL	1		
20	537 20 98-01	SPRING	1		
21	544 32 49-30	FUEL HOSE	1	70 mm	
22	503 73 58-01	BUSHING	1		
23	506 25 59-03	TANK CAP ASSY	1	Incl. 24 - 25	
24	506 29 21-01	GASKET	1		
25	503 57 89-01	HOLDER ASSY	1		
26	544 06 12-01	SCREW	3		
27	537 21 03-09	ANTIVIBRATION ELEMENT	1		
28	537 21 03-10	ANTIVIBRATION ELEMENT	1		
29	537 21 03-05	ANTIVIBRATION ELEMENT	1		
30	525 57 20-01	DECAL START INSTRUCTION	1		
31	506 31 30-01	LABLE	1		



Page J
K970

Pos.	Part No.	Description	Quantity	Notes	New Part
1	574 50 73-03	STARTER ASSY	1	Incl. 2 - 15	
2	503 21 07-22	SCREW	1		
3	740 43 13-00	O-RING	1		
4	506 25 14-01	GROMMET	1		
5	506 26 31-01	SPACING SLEEVE	1		
6	506 25 30-01	COMPRESSION SPRING	1		
7	503 21 28-10	SCREW	2		
8	506 25 89-01	RECOIL SPRING	1		
9	506 25 81-02	STARTER PULLEY	1		
10	544 28 75-02	COOLING AIR CONDUCTOR	1		
11	506 33 56-15	STARTER CORD	1		
11	506 33 56-50	STARTER CORD	1	50 m Coil	
12	503 12 79-01	STARTER HANDLE	1		
13	505 34 94-01	STARTER COVER	1		
14	501 98 10-20	SCREW	4		
15	525 57 11-01	DECAL	1		

K K970

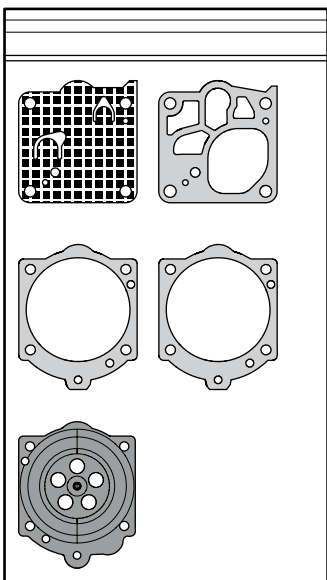
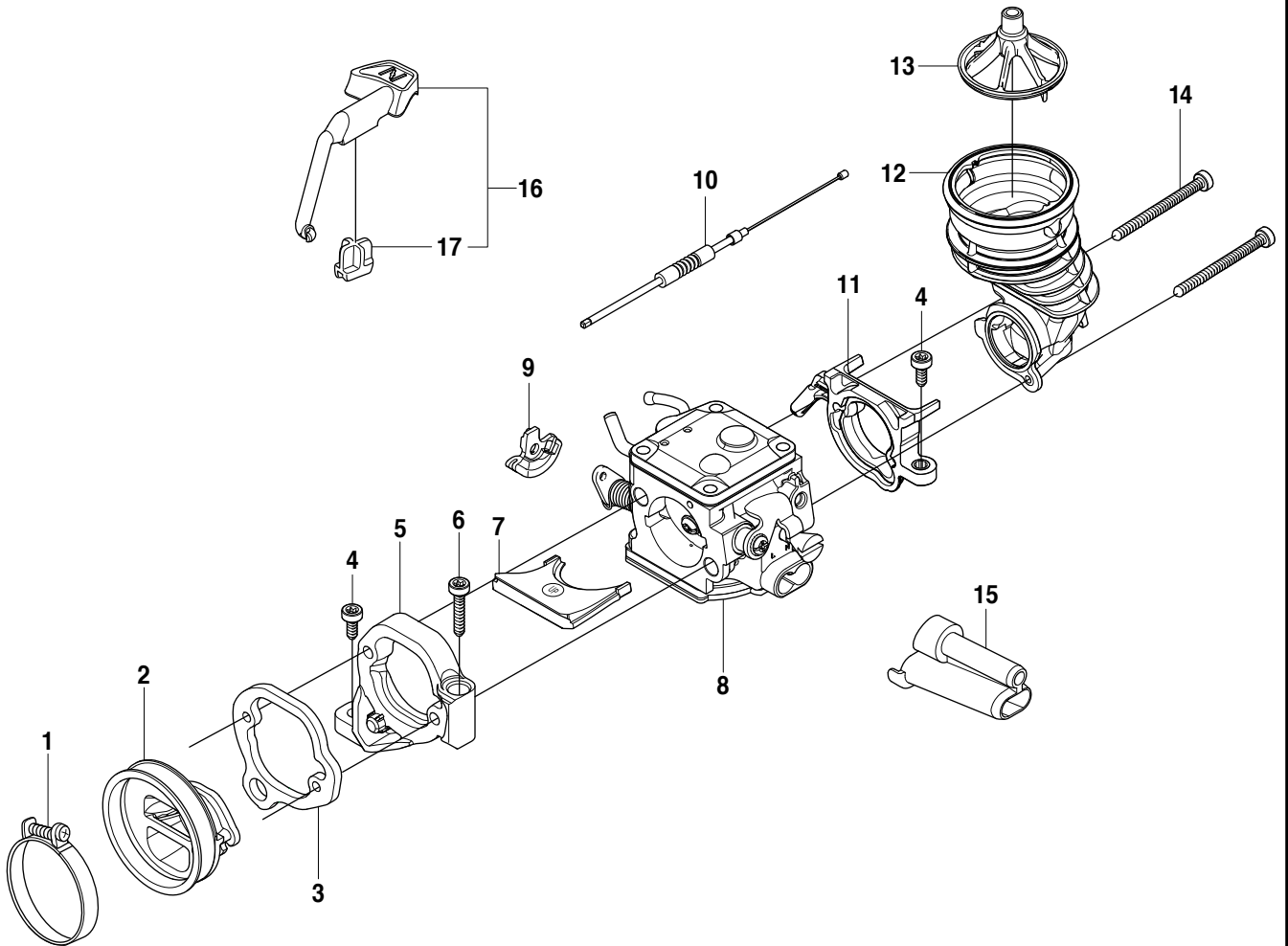


Page K
K970

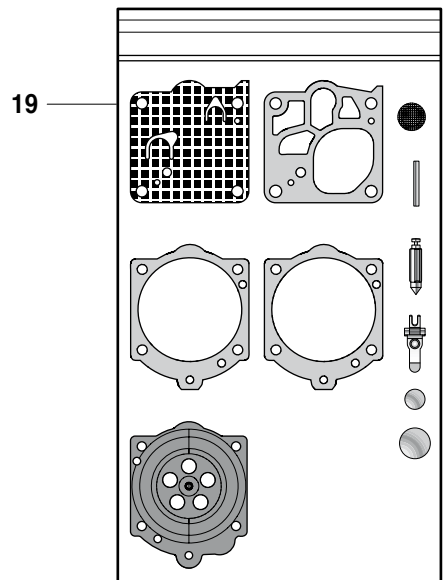
Pos.	Part No.	Description	Quantity	Notes	New Part
1	503 21 28-06	SCREW	1		
2	506 31 86-02	STOP SWITCH	1		
3	501 83 98-01	CABLE	1		
4	503 23 51-09	SPARK PLUG	1	RCJ 6Y	
5	501 48 54-02	SPARK PLUG CAP	1		
6	510 11 56-01	IGNITION MODULE	1	Incl. 7 - 8	
7	506 38 78-34	IGNITION CABLE	1		
8	505 27 75-16	INSULATING CAP	1		
9	503 21 53-20	SCREW	2		
10	503 23 01-01	WASHER STEEL	1		
11	503 22 10-11	NUT	1		
12	501 37 56-02	FLYWHEEL	1	Incl. 13 - 16	
13	503 23 00-42	WASHER STEEL	2		
14	501 63 48-01	SPRING	2		
15	501 67 32-03	PAWL	2		
16	506 00 69-01	SCREW	2		

Page L
K970

Pos.	Part No.	Description	Quantity	Notes	New Part
1	503 21 53-56	SCREW	2		
2	503 21 53-26	SCREW	2		
3	525 81 81-03	LABEL	1	USA	
3	525 81 81-04	LABEL	1	Canada, CE	
3	576 12 09-01	LABEL	1	Japan	
4	505 34 95-01	FILTER COVER	1		
5	510 24 41-01	AIR FILTER	1		
6	576 42 69-01	CYLINDER COVER ASSY	1	Incl. 7 - 8	
7	525 61 70-04	SEALING	3	700 mm	
8	525 76 35-01	LABEL	1		
9	503 21 53-30	SCREW	2		
10	525 57 16-01	LABEL	1		
10	525 57 16-02	LABEL	1	Rescue	
11	740 48 20-03	O-RING	1		
12	525 57 17-01	AIR NOZZLE	1		
13	501 98 10-01	SCREW	1		



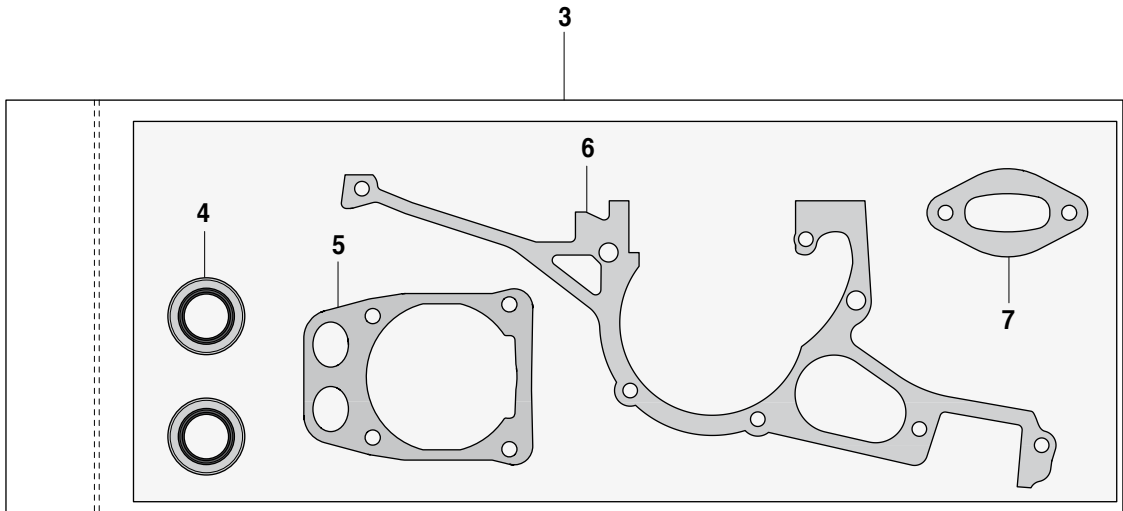
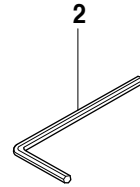
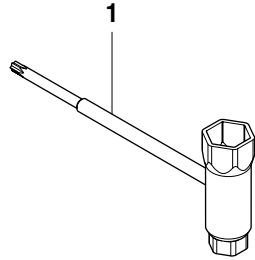
18



19

Page M
K970

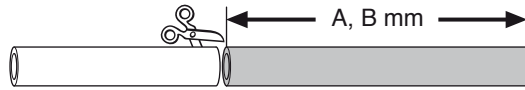
Pos.	Part No.	Description	Quantity	Notes	New Part
1	505 28 33-06	HOSE CLAMP	1		
2	506 41 41-01	INLET PIPE	1		
3	544 15 01-01	FLANGE	1		
4	503 21 53-16	SCREW	2		
5	544 11 39-01	CONSOLE	1		
6	503 21 53-30	SCREW	1		
7	506 41 42-01	PLATE	1		
8	522 94 20-01	CARBURETTOR	1	Walbro RWJ-5	
9	505 14 84-01	LEVER	1		
10	576 49 04-01	THROTTLE CABLE ASSY	1		
11	522 85 62-01	FLANGE INLET PIPE	1		
12	521 92 67-01	INLET PIPE	1		
13	510 24 39-01	FILTER CONNECTION	1		
14	501 97 18-01	SCREW	2		
15	544 23 26-01	CHISEL GUIDE	1		
16	506 23 20-11	CHOKE	1	Incl. 17	
17	506 27 25-01	WEAR PROTECTION	1		
18	502 44 58-01	GASKET KIT	1	Walbro RWJ-5	
19	502 44 59-01	REPAIR KIT	1	Walbro RWJ-5	



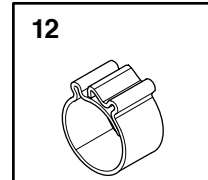
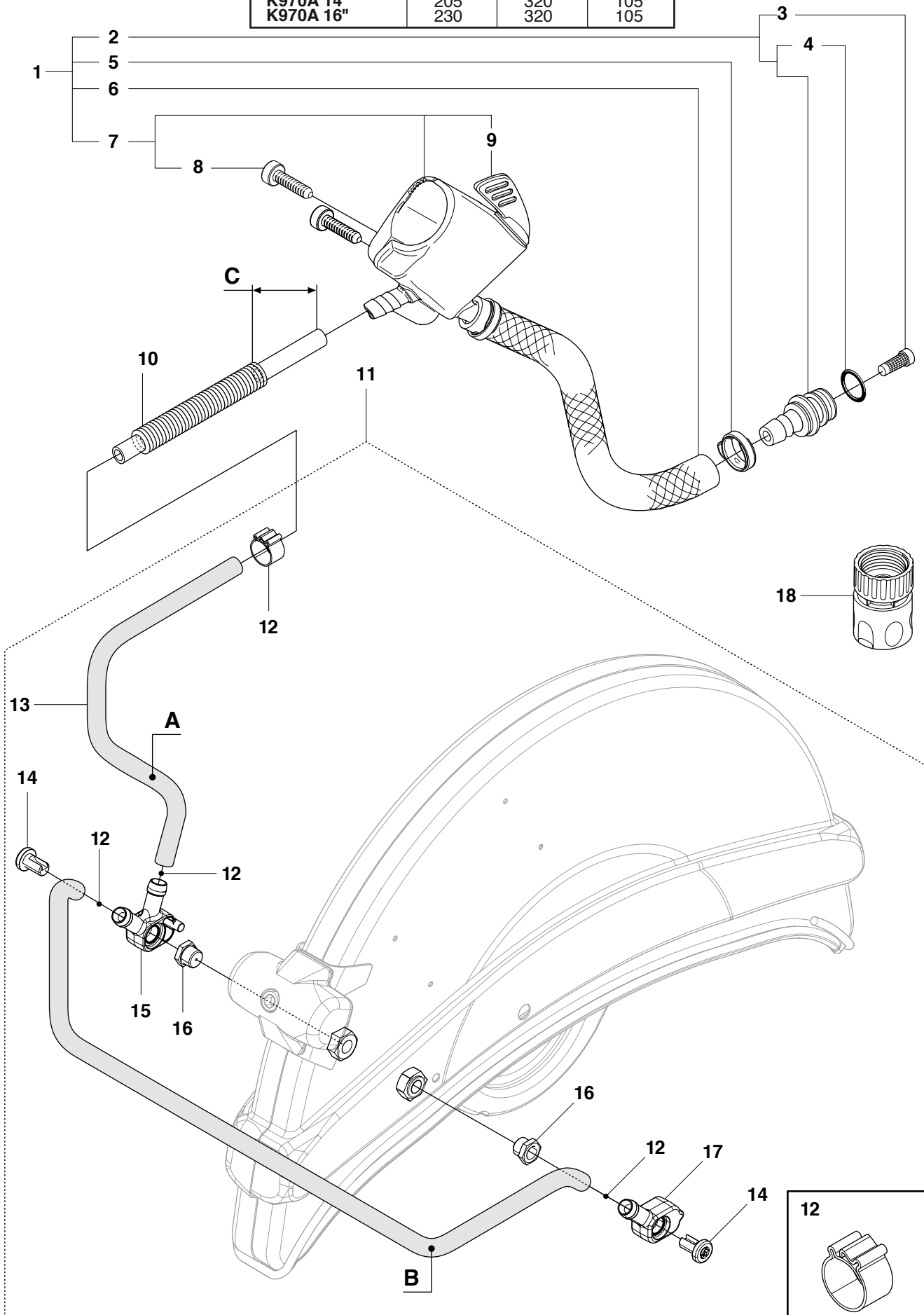
Page N
K970

Pos.	Part No.	Description	Quantity	Notes	New Part
1	506 38 26-01	COMBINATION TOOL	1	Torx 27	
2	502 21 58-01	L-SPANNER	1	4 mm	
3	544 22 98-03	GASKET KIT	1	Incl. 9 - 12	
4	503 26 02-04	SEALING RING	2		
5	576 49 94-01	GASKET	1		
6	506 41 39-04	GASKET	1		
7	506 37 81-01	GASKET MUFFLER	1		

P K970



	A (mm)	B (mm)	C (mm)
K970A 12"	165	320	----
K970A 14"	205	320	105
K970A 16"	230	320	105

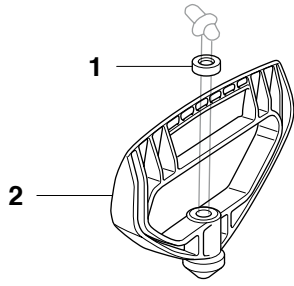


Page P
K970

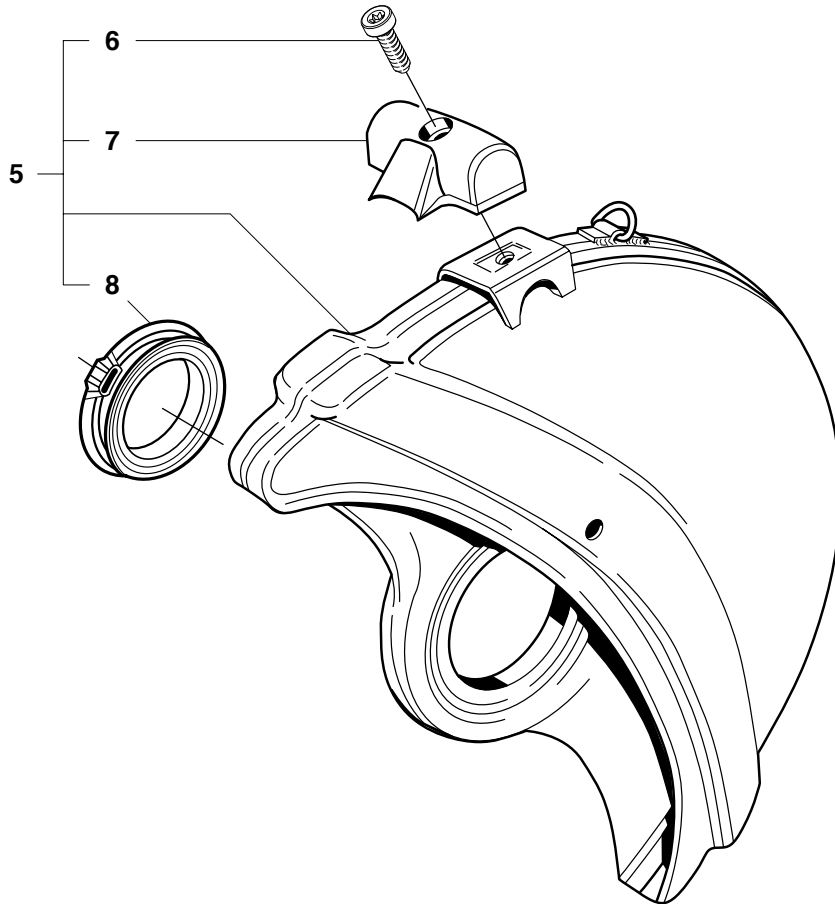
Pos.	Part No.	Description	Quantity	Notes	New Part
1	505 09 55-01	HOSE KIT	1	Incl. 2, 5 - 7	
2	506 29 57-02	NIPPLE	1	Incl. 3, 4	
3	506 29 88-01	FILTER	1		
4	505 10 35-01	O-RING	1		
5	506 49 87-02	HOSE CLAMP	1		
6	506 60 75-01	HOSE	1		
7	506 38 60-12	VALVE ASSY	1	Incl. 8	
8	503 21 54-20	SCREW	2		
9	506 31 24-01	VALVE SPINDLE	1		
10	506 35 27-01	PROTECTIVE SPRING	1		
11	505 09 54-01	HOSE KIT	1		
12	506 49 87-01	HOSE CLAMP	4		
13	506 60 68-06	HOSE	1	620 mm	
14	504 63 46-01	SCREW	2		
15	504 63 44-01	HOUSING	1		
16	504 63 42-01	NIPPLE	2		
17	504 63 45-01	HOUSING	1		
18	503 26 60-03	COUPLER	1	USA, Canada	
18	503 26 60-04	COUPLER	1		

Q K970

K12 FD FIRE-RESCUE

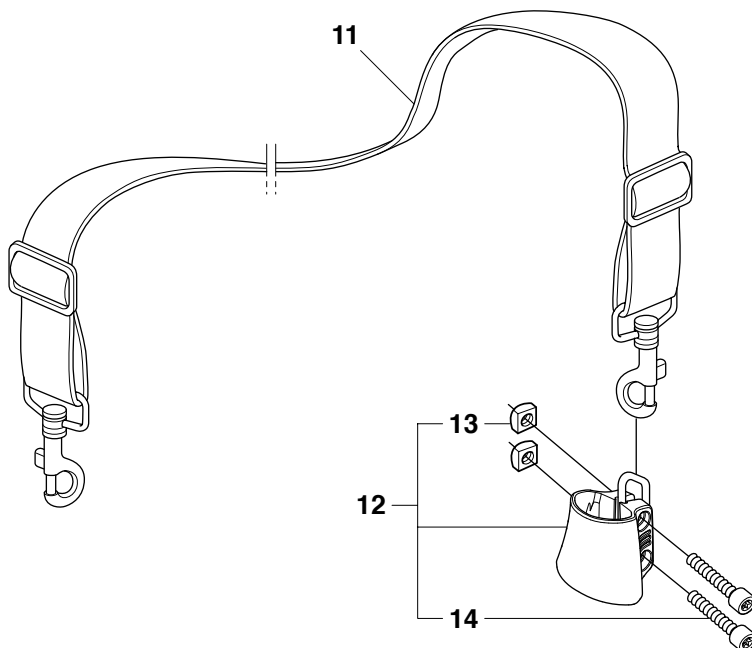


Rescue



9 — **Husqvarna Rescue**
max 5100 rpm
Ø25.4 (Ø1"), Ø300 (Ø12")

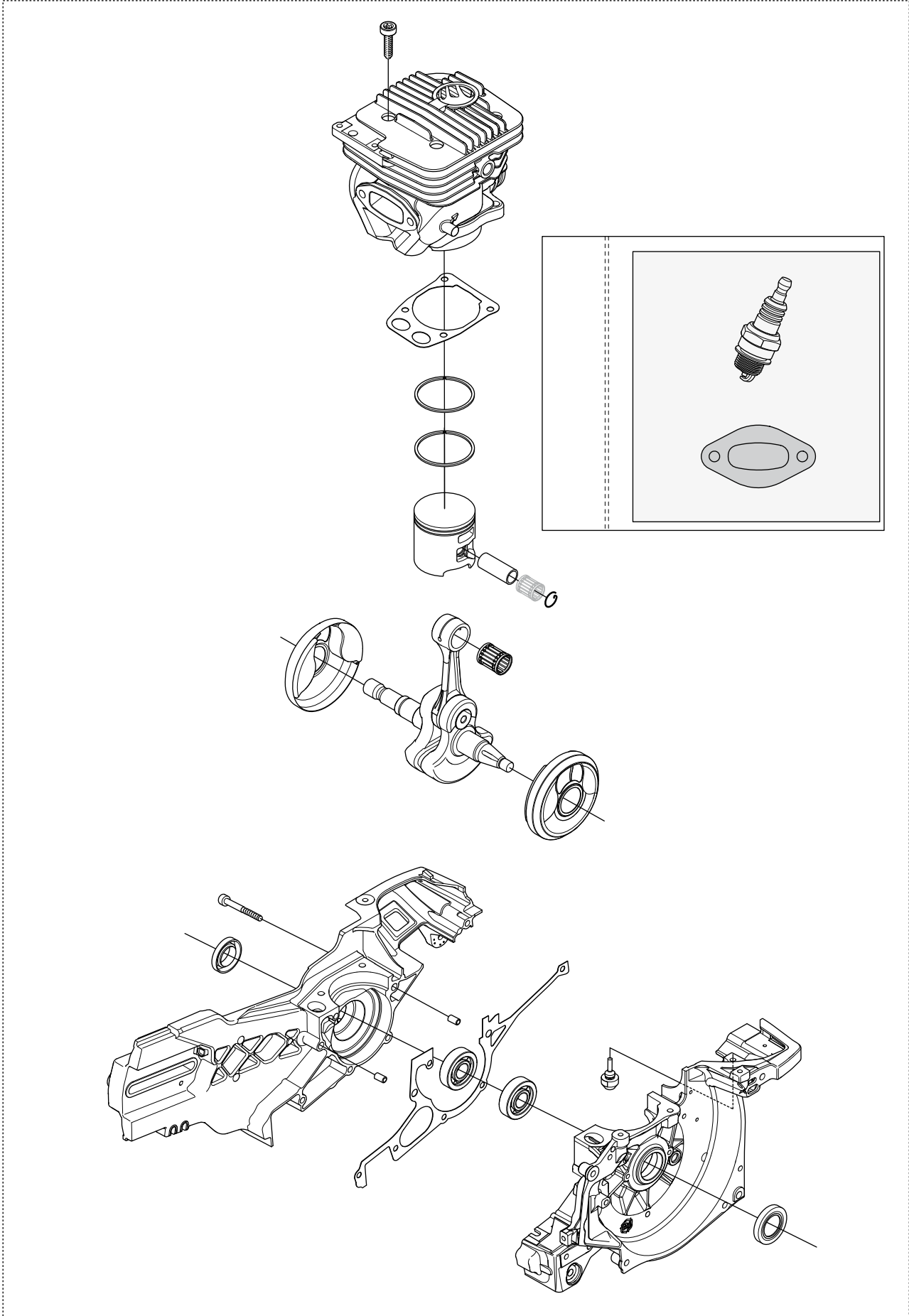
10 — **⚠ ATTENTION ⚠**
This product has been modified for use by
trained fire rescue personnel only.



Page Q
K970

Pos.	Part No.	Description	Quantity	Notes	New Part
1	503 14 29-02	WASHER	1		
2	506 29 75-02	STARTER HANDLE	1		
3	506 32 20-02	LABEL	1		
4	506 30 23-02	LABEL	2		
5	506 34 05-54	WHEEL GUARD ASSY	1	Rescue 14". Incl. 6 - 8	
5	506 34 05-52	WHEEL GUARD ASSY	1	Rescue 12". Incl. 6 - 8	
6	503 21 53-20	SCREW	1		
7	506 34 46-02	HANDLE	1		
8	506 26 63-02	LINING	2		
9	544 89 06-01	LABEL	1	14"	
9	544 89 06-03	LABEL	1	12"	
10	506 32 22-02	LABEL	1		
11	506 29 76-01	SHOULDER STRAP	1		
12	506 30 25-06	BRACKET	1	Incl. 13, 14	
13	503 22 65-04	NUT	2		
14	503 21 53-12	SCREW	2		

1



Page R
K970

Pos.	Part No.	Description	Quantity	Notes	New Part
1	576 41 28-02	LONG BLOCK	1		