

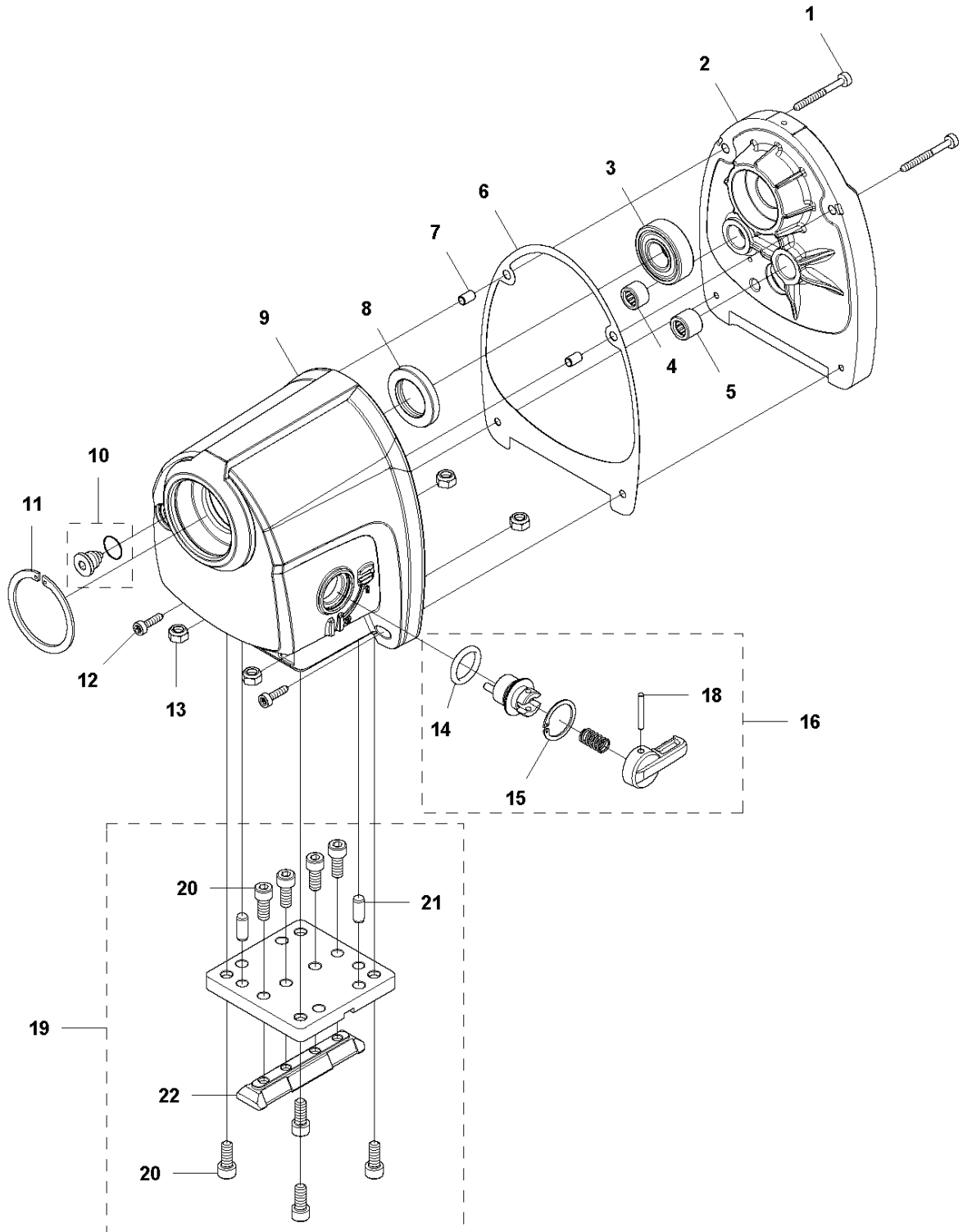


SPARE PARTS LIST


DRILLING EQUIPMENT

DM650, 2013-07

A DM 650
GEAR BOX



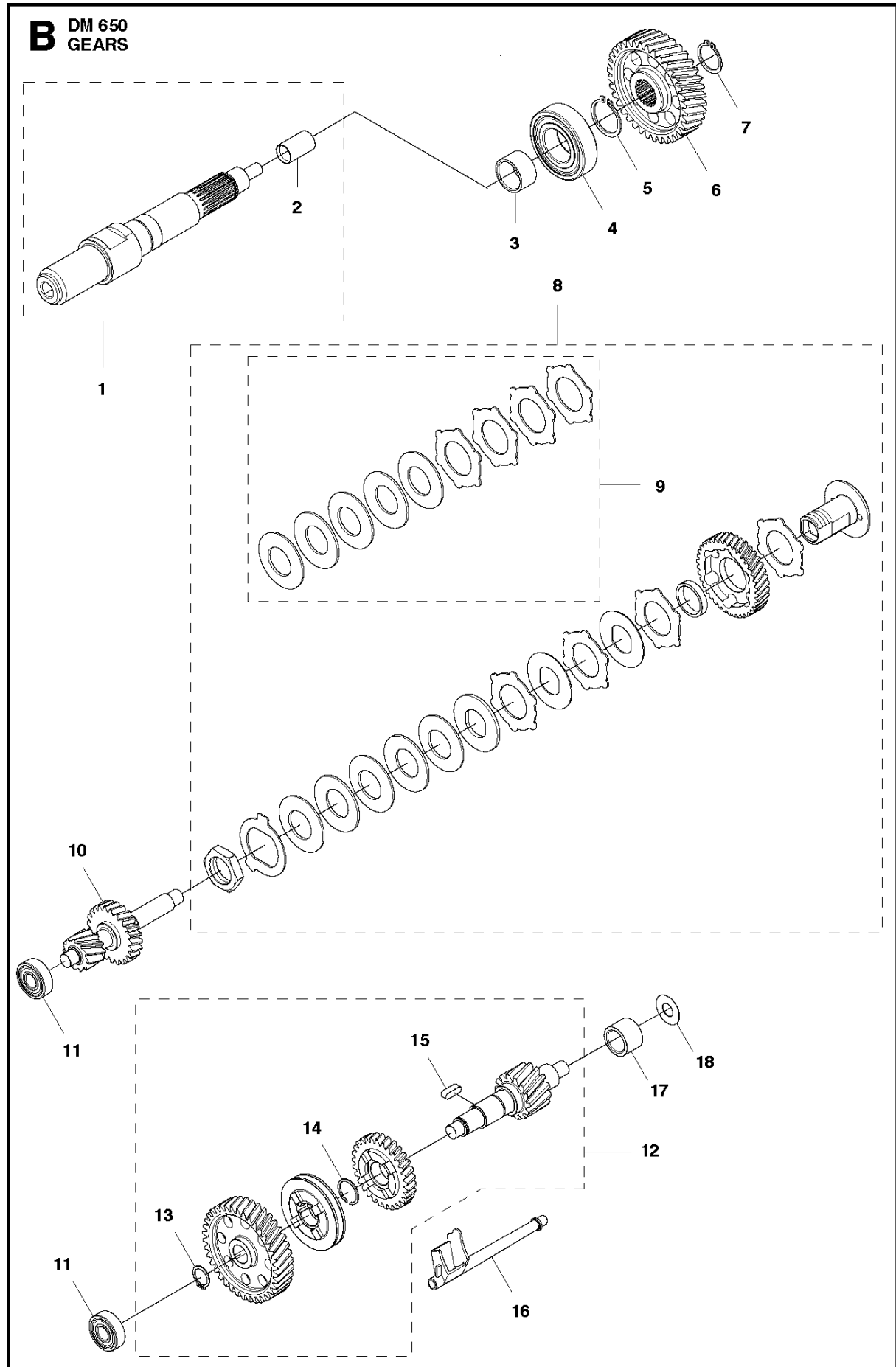
23

		Ømm	ØInch
	1	300-600	12-24
	2	100-300	4-12

GEAR BOX

DM650, 2013-07

Ref	Part No	Description	Remark	QTY	KIT
1	501 98 10-02	SCREW ITXSCM		2	
2	586 50 14-01	COVER		1	
3	738 22 04-19	BALL BEARING		1	
4	503 25 53-01	NEEDLE BEARING		1	
5	575 36 21-01	NEEDLE BEARING		1	
6	525 39 50-01	GASKET		1	
7	575 45 24-01	GUIDE		2	
8	502 49 63-02	SEALING RING		1	
9	525 39 34-01	GEAR HOUSING		1	
10	525 48 10-01	OIL PLUG		1	
11	502 49 70-01	CIRCLIP		1	
12	501 98 10-04	SCREW ITXSCM		2	
13	732 25 18-01	HEXAGON LOCKING NUT		4	
14	740 43 15-00	O-RING		1	16
15	735 31 30-11	CIRCLIP		1	
16	588 59 57-01	GEARSHIFT LEVER		1	
18	720 12 76-06	PARALLEL PIN		1	
19	577 54 91-01	KIT		1	
20	725 54 51-01	SCREW IHSCM		8	
21	720 14 01-06	PARALLEL PIN		2	
22	575 80 81-01	WEDGE		1	
23	575 00 95-01	LABEL		1	



GEARS

DM650, 2013-07

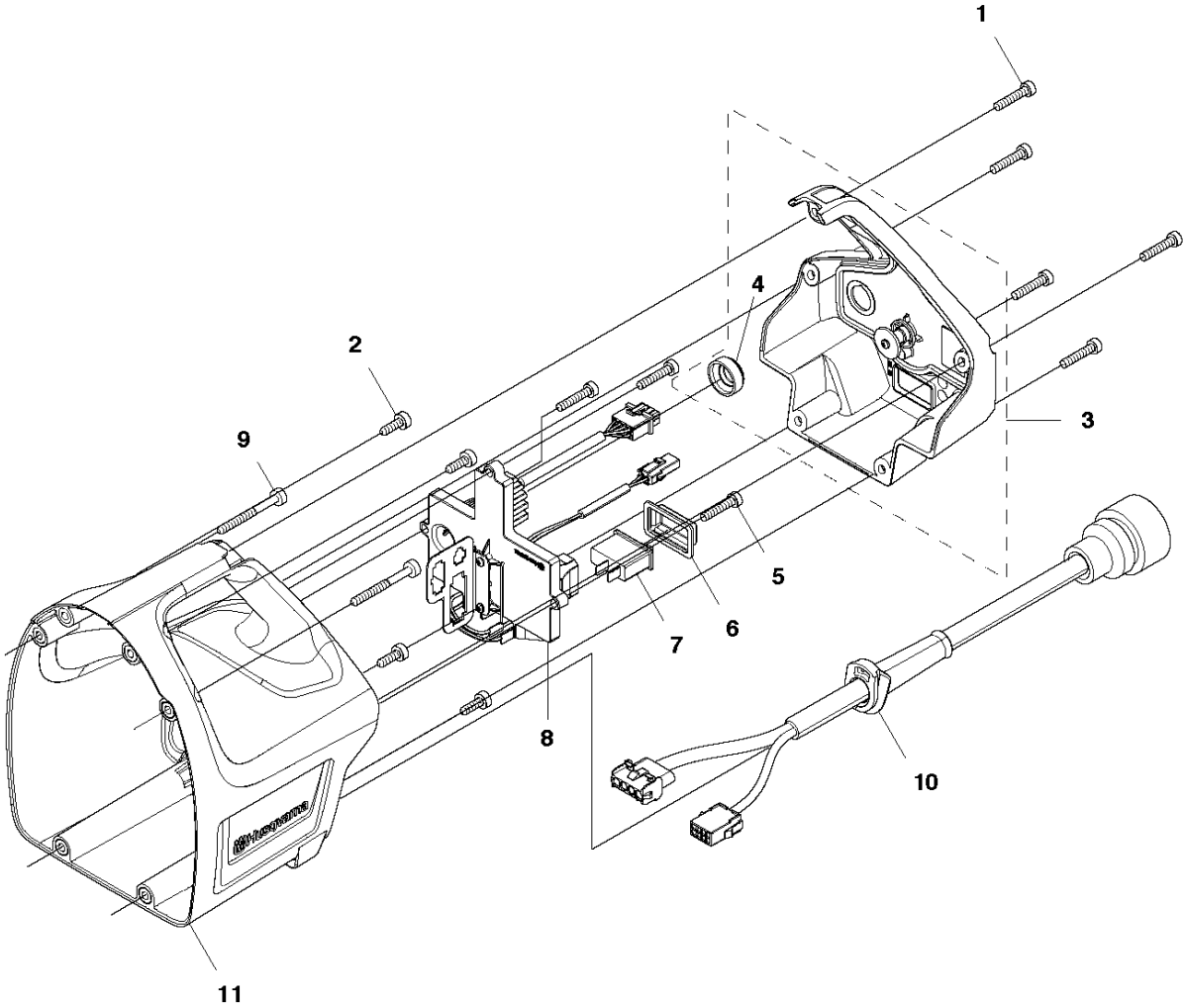
Ref	Part No	Description	Remark	QTY KIT
1	585 24 16-01	SPINDLE SHAFT		1
2	504 73 59-01	SLEEVE		1
1	585 24 16-02	SPINDLE SHAFT	Japan Only	1
3	585 07 19-01	SPACER		1
4	738 22 06-29	BALL BEARING		1
5	735 31 30-00	CIRCLIP		1
6	584 98 53-02	GEAR WHEEL		1
7	585 47 49-01	RETAINER RING		2
8	580 63 71-01	CLUTCH ASSY		1
9	577 55 83-01	KIT		1
10	580 63 50-01	GEAR WHEEL SHAFT		1
11	738 22 01-19	BALL BEARING		2
12	580 63 51-01	GEAR WHEEL ASSY		1
13	735 31 18-00	CIRCLIP		1
14	735 31 22-40	CIRCLIP		1
15	576 85 56-02	PARALLEL KEY		1
16	575 25 83-01	OIL PIPE		1
17	586 09 19-01	SPACER		1
18	586 03 98-01	WASHER		1

MOTOR

DM650, 2013-07

Ref	Part No	Description	Remark	QTY	KIT
1	501 07 22-01	HOSE ASSY		1	
2	581 89 36-07	HOSE		1	1
3	587 43 78-02	VALVE ASSY		1	1
4	576 12 97-01	HOSE CLAMP		1	1
5	506 29 88-01	FILTER		4	1
6	505 10 35-01	O-RING		1	
7	577 55 87-02	HOSE KIT		1	
8	503 21 53-20	SCREW ITXSCM		4	
9	735 21 46-01	LOCKWASHER		1	
10	725 52 91-56	SCREW IHSCM		2	
11	575 73 40-01	CABLE CLAMP		1	
12	576 21 45-02	MOTOR ASSY		1	
13	734 11 36-01	WASHER		2	
14	577 75 82-01	HOSE CLAMP		1	
15	584 39 02-01	GUIDE WASHER		1	
16	575 49 30-01	O-RING		1	
17	586 20 19-01	NIPPLE		1	

D DM 650
REAR HANDLE

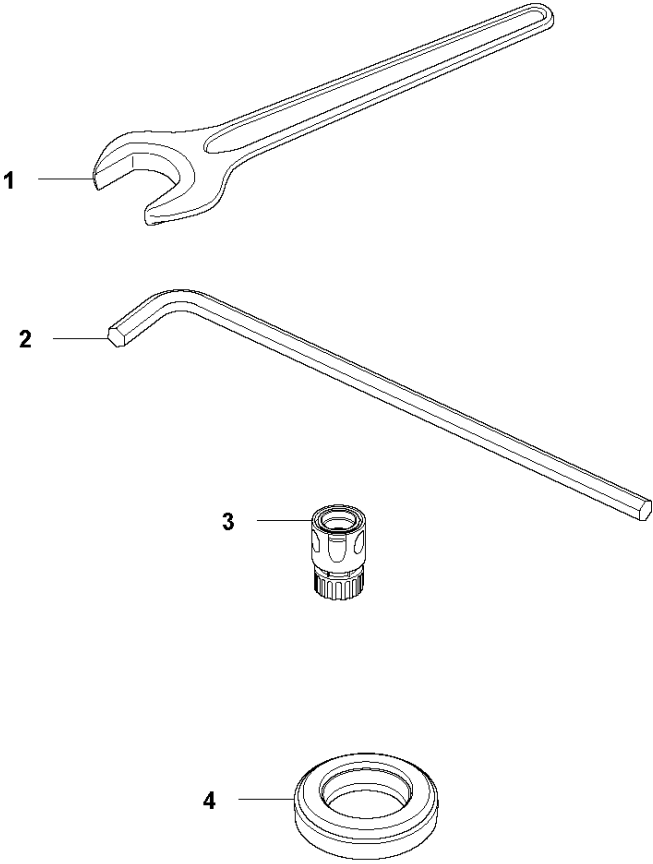


REAR HANDLE

DM650, 2013-07

Ref	Part No	Description	Remark	QTY KIT
1	504 90 94-14	SCREW ITXSCT		
2	503 21 53-16	SCREW ITXSCM		
3	575 47 00-03	COVER		
4	574 27 27-01	PROTECTIVE CAP		
5	573 92 58-04	SCREW ITXSCT		
6	574 27 28-01	PROTECTIVE CAP		
7	574 26 61-01	SWITCH		
8	586 06 26-01	HOLDER		
9	501 98 10-02	SCREW ITXSCM		
10	522 93 61-02	CABLE ASSY		
11	575 21 93-01	MOTOR HOUSING		

E DM 650
ACCESSORIES



ACCESSORIES

DM650, 2013-07

Ref	Part No	Description	Remark	QTY KIT
1	531 14 09-52	KEY		1
2	525 43 76-01	HEX KEY		1
3	503 26 60-03	COUPLER		1
3	503 26 60-04	COUPLER		1
4	543 05 28-78	WATER COLLECTOR		1