

Wire saw Accessories

Reservdelar

Spare parts

Ersatzteile

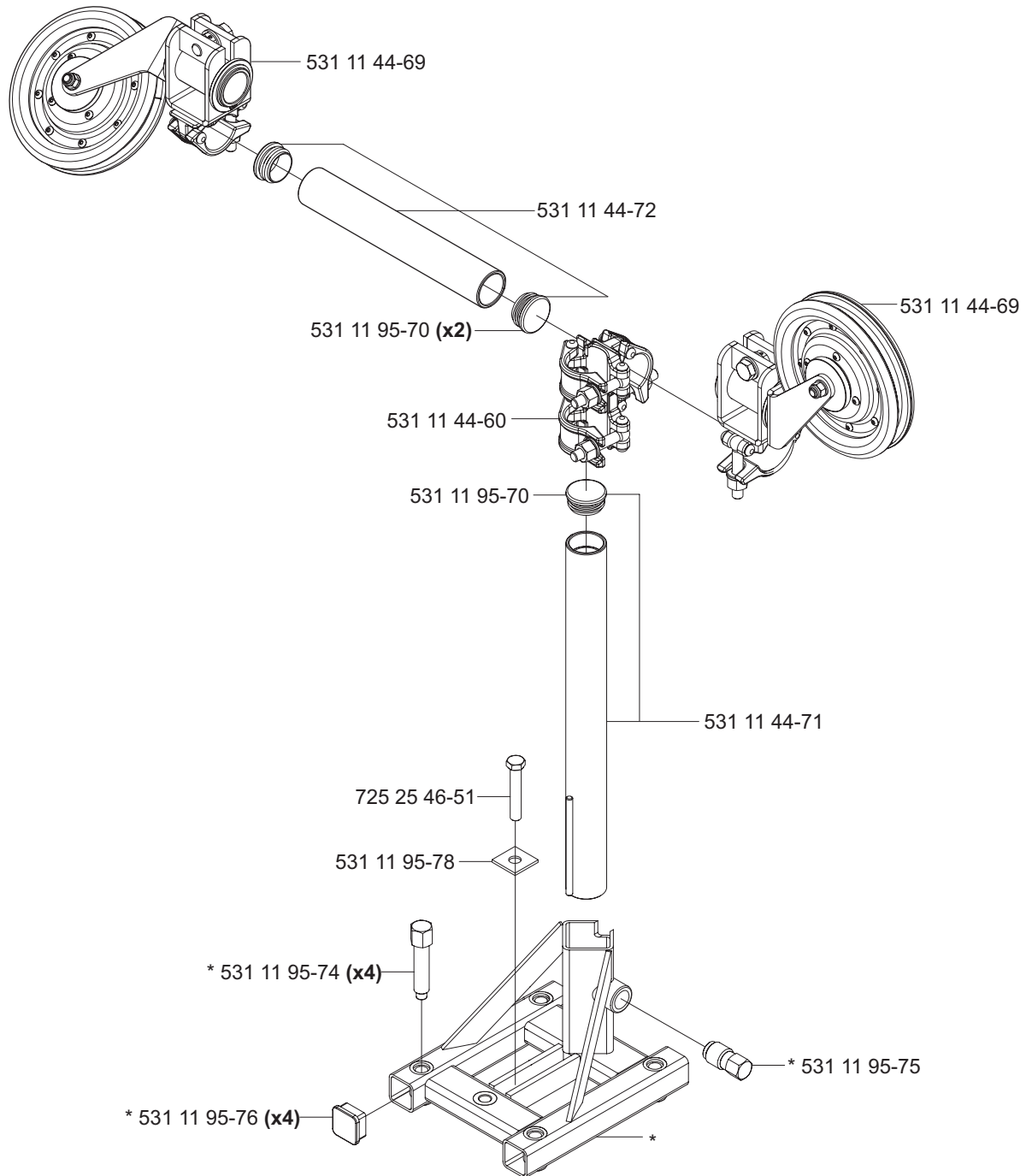
Pieces de rechange

Piezas de repuesto

Ricambi

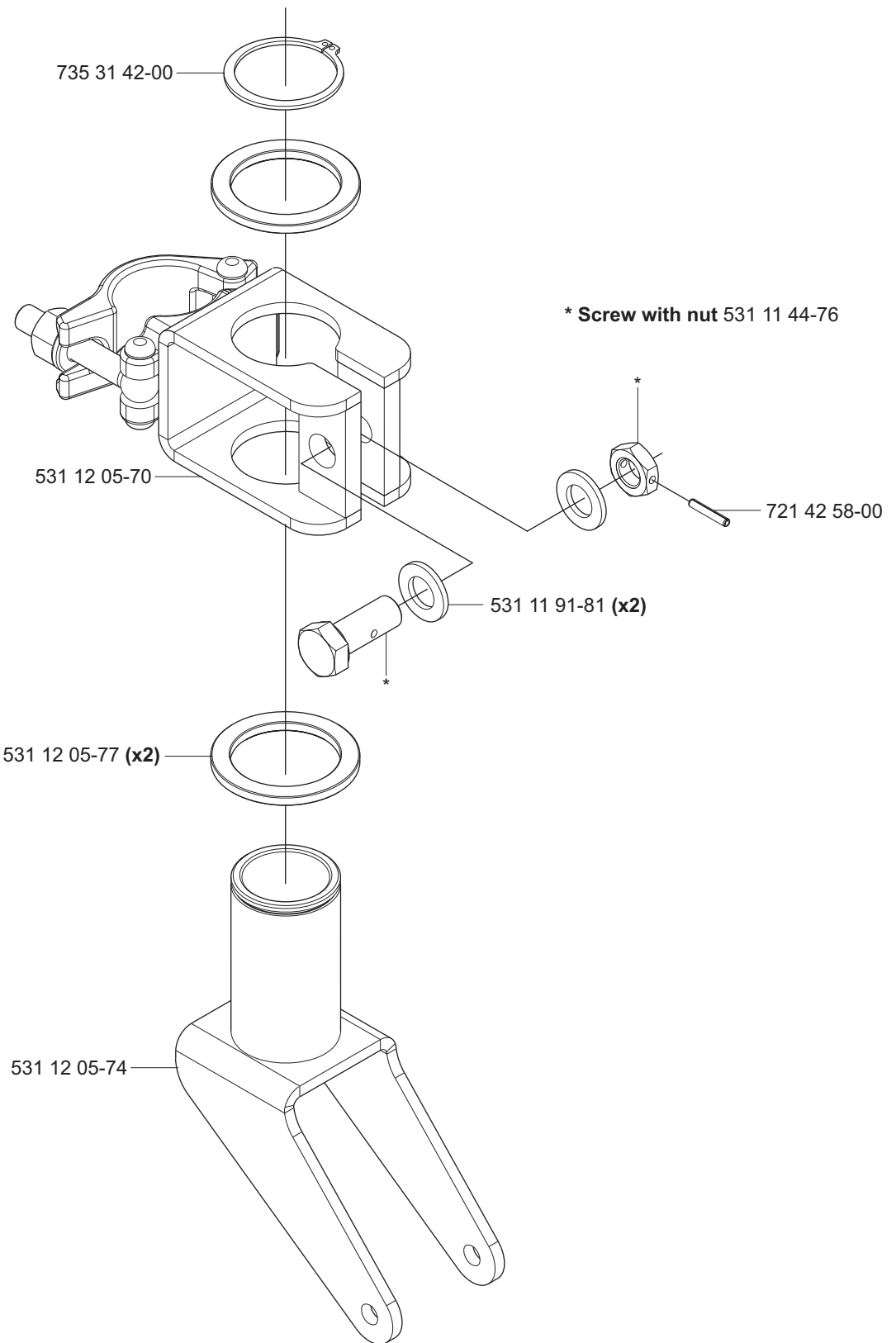
Peças sobresselente

No.	Pos.	Description	No.	Pos.	Description
501 35 76-01	A	Foot complete			
504 01 19-01	A	Offset pulley complete			
531 11 30-33	H	Pulley with bracket complete			
531 11 31-35	I	Angle plate complete			
531 11 44-28	D	Wheel link complete			
531 11 44-33	E	Flush pulley complete			
531 11 44-50	D	Wheel link with rubber			
531 11 44-60	A	Double clamp			
531 11 44-67	C	Swivel pulley with bearings			
531 11 44-68	G	Nozzle			
531 11 44-69	AB	Swivel pulley sliding			
531 11 44-71	A	Column pipe			
531 11 44-72	A	Pipe 48,3x250mm			
531 11 44-76	B	Screw with nut			
531 11 80-03	G	Coupling female			
531 11 80-05	G	Nipple 1812			
531 11 80-06	G	Nipple 18210			
531 11 80-18	G	Ball valve 3/8"			
531 11 82-08	G	Coupling			
531 11 90-14	G	Hose clamp			
531 11 91-12	EH	Wear rubber			
531 11 91-80	DEH	Shaft seal BASL 35x55x9			
531 11 91-81	BD	Washer 10,5x22			
531 11 91-82	I	Washer 10,5x28x6			
531 11 91-99	HI	Screw M6S 10x30			
531 11 93-21	DEH	Seeger circlip SGH 55			
531 11 95-21	C	Grease nipple M8			
531 11 95-23	D	Shaft seal BASL 30x50x10			
531 11 95-45	C	Shaft seal BA 65x80x8			
531 11 95-70	AE	Plastic plug			
531 11 95-71	F	Nomal coupling			
531 11 95-73	F	Double U-wrench 22-24mm			
531 11 95-74	A	Adjusting screw			
531 11 95-75	A	Locking screw			
531 11 95-76	A	Plug			
531 11 95-77	C	Locking handle			
531 11 95-78	A	Washer			
531 12 00-29	D	Wear rubber			
531 12 02-94	D	Shaft			
531 12 05-51	D	Cover			
531 12 05-70	B	Clamp			
531 12 05-74	B	Fork, sliding			
531 12 05-77	B	Distance			
531 12 05-80	C	Bearing housing			
531 12 05-85	C	Fork			
531 12 05-87	C	Cover plastic			
531 12 05-93	E	Shaft			
531 12 06-41	F	Pipe 48,3x1000mm			
531 12 06-42	F	Pipe 48,3x2000mm			
531 12 14-82	H	Bracket			
531 12 14-83	I	Angle plate			
531 12 14-94	EH	Wheel			
531 12 14-95	EH	Cover			
531 12 15-25	G	Water lance complete			
721 42 58-00	B	Locking pin FRP 4x24			
725 25 01-51	I	Screw M6S 10x50			
725 25 09-51	D	Screw M6S 10x90			
725 25 46-51	A	Screw M6S 12x70			
725 63 31-51	EH	Screw MF6S 5x20			
731 23 20-01	HI	Nut M10			
732 25 20-01	D	Locking nut M10			
735 31 30-00	DEH	Seeger circlip SGA 30			
735 31 42-00	BC	Seeger circlip SGA 50			
738 21 06-04	DEH	Bearing 6006-2RS1			
738 21 10-00	C	Bearing 6010			
740 44 16-00	C	O-ring 49.5x3			

A**Offset pulley complete 504 01 19-01***** Foot complete 501 35 76-01**

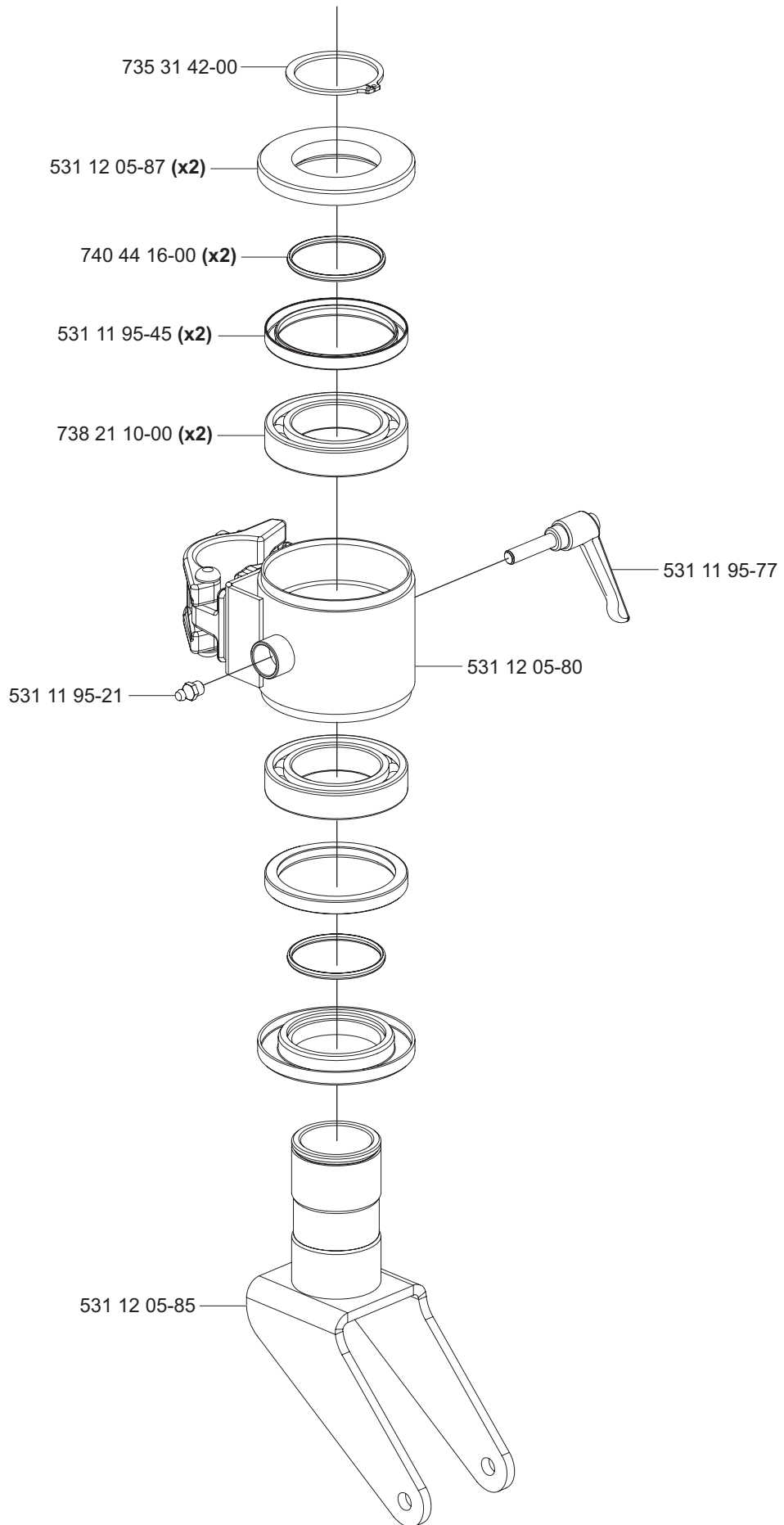
B

Complete with pulley wheel 531 11 44-69



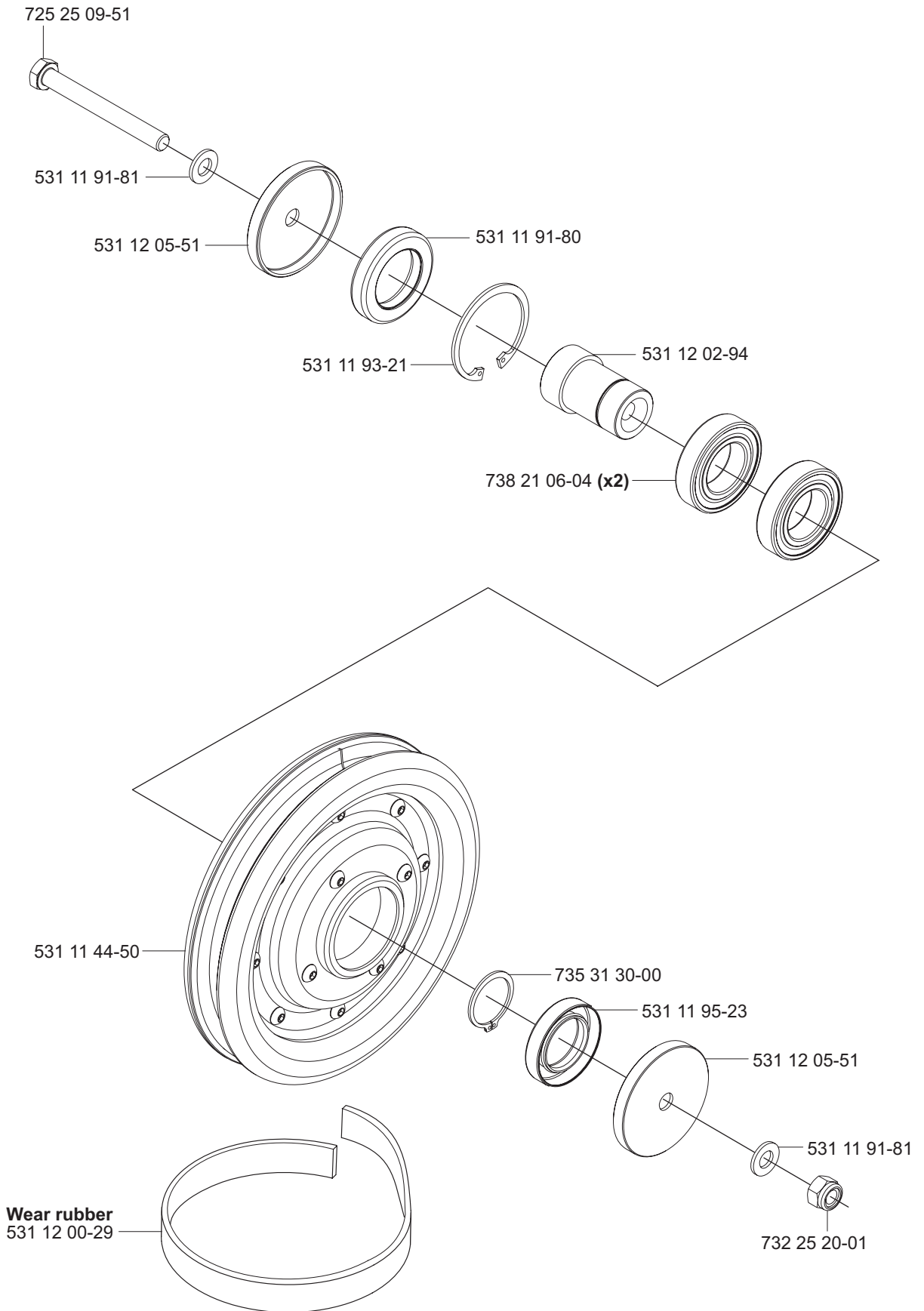
C

Complete with pulley wheel 531 11 44-67

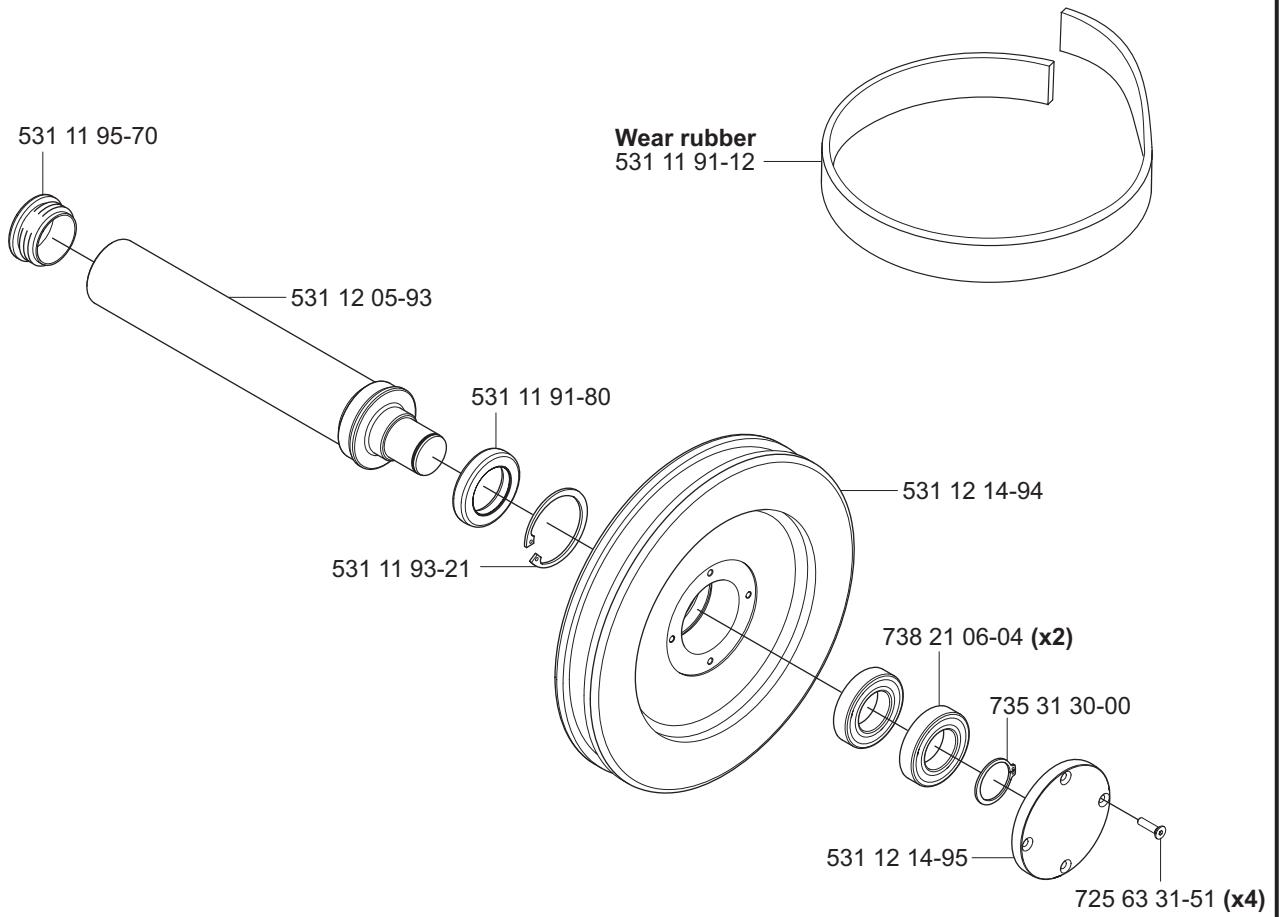


D

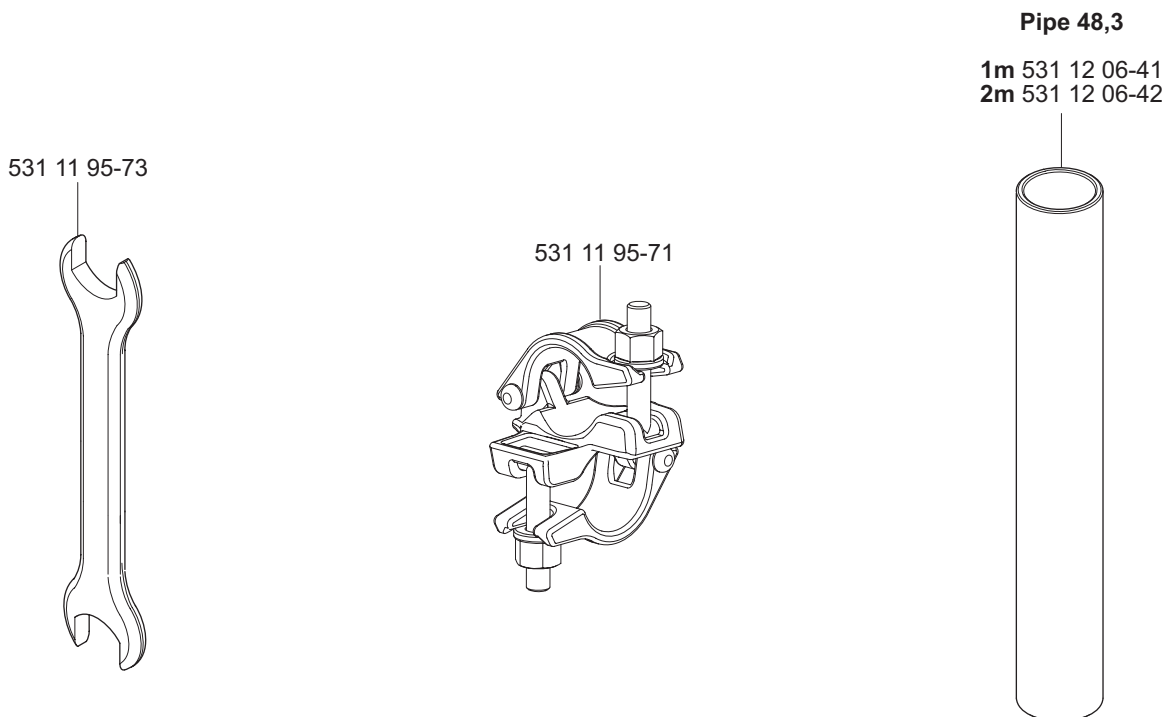
Complete 531 11 44-28



E Flush pulley complete 531 11 44-33

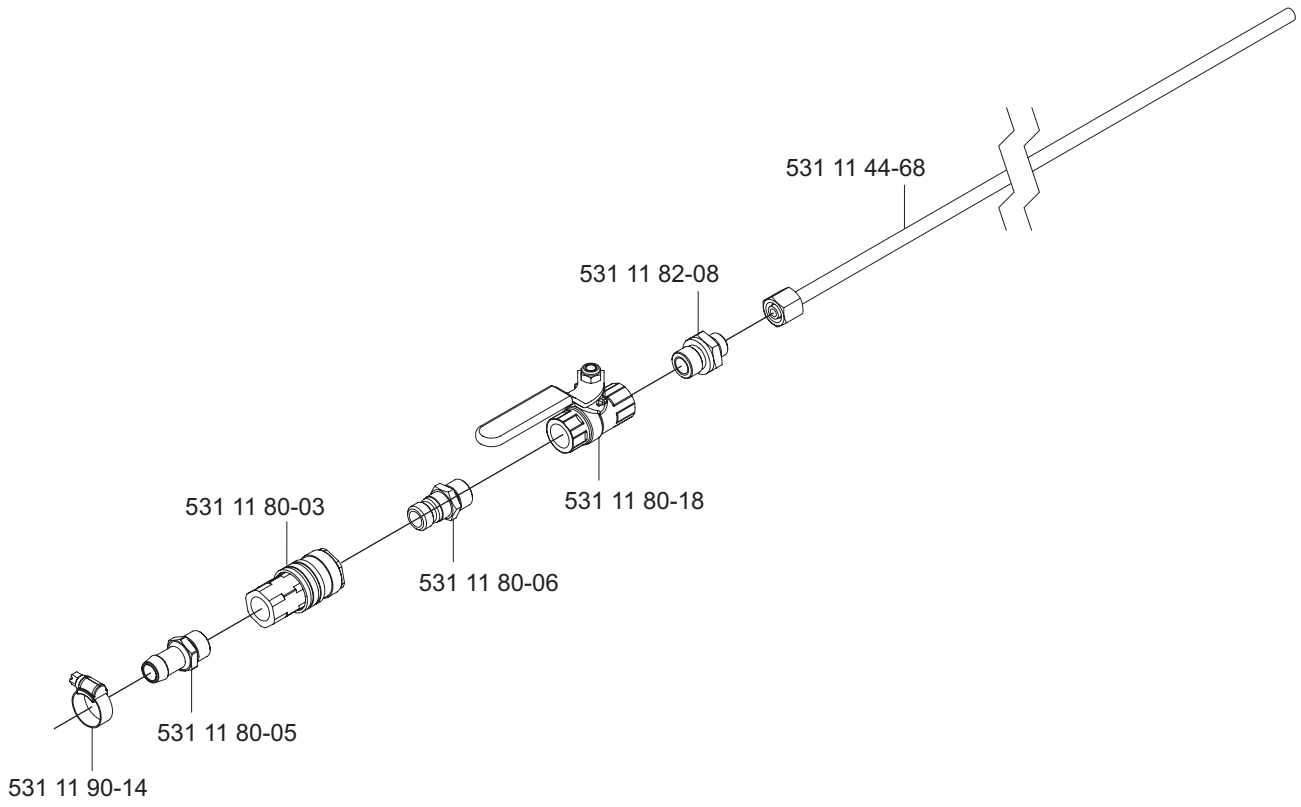


F

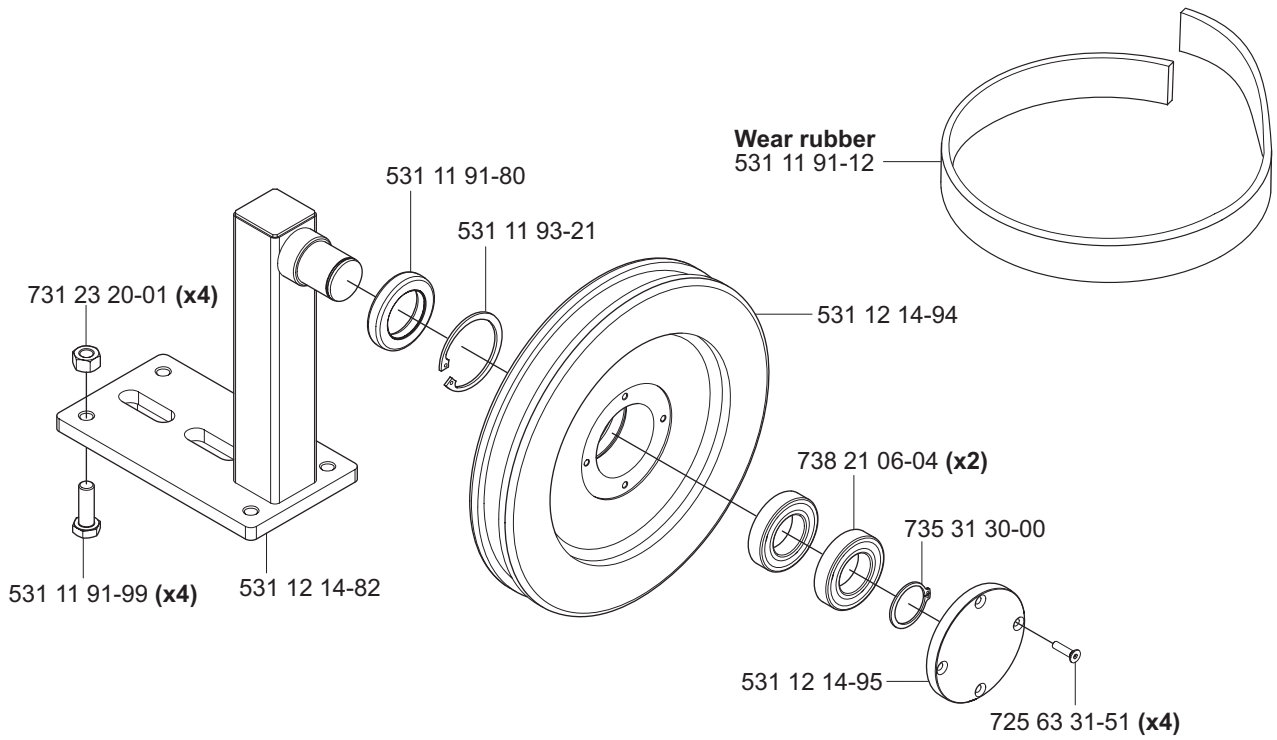


G

Water Lance complete 531 12 15-25



H Pulley with bracket complete 531 11 30-33



I Angle plate for pulley complete 531 11 31-35

