

K3000

K3000 Wet

Reservdelar

Spare parts

Ersatzteile

Pieces de rechange

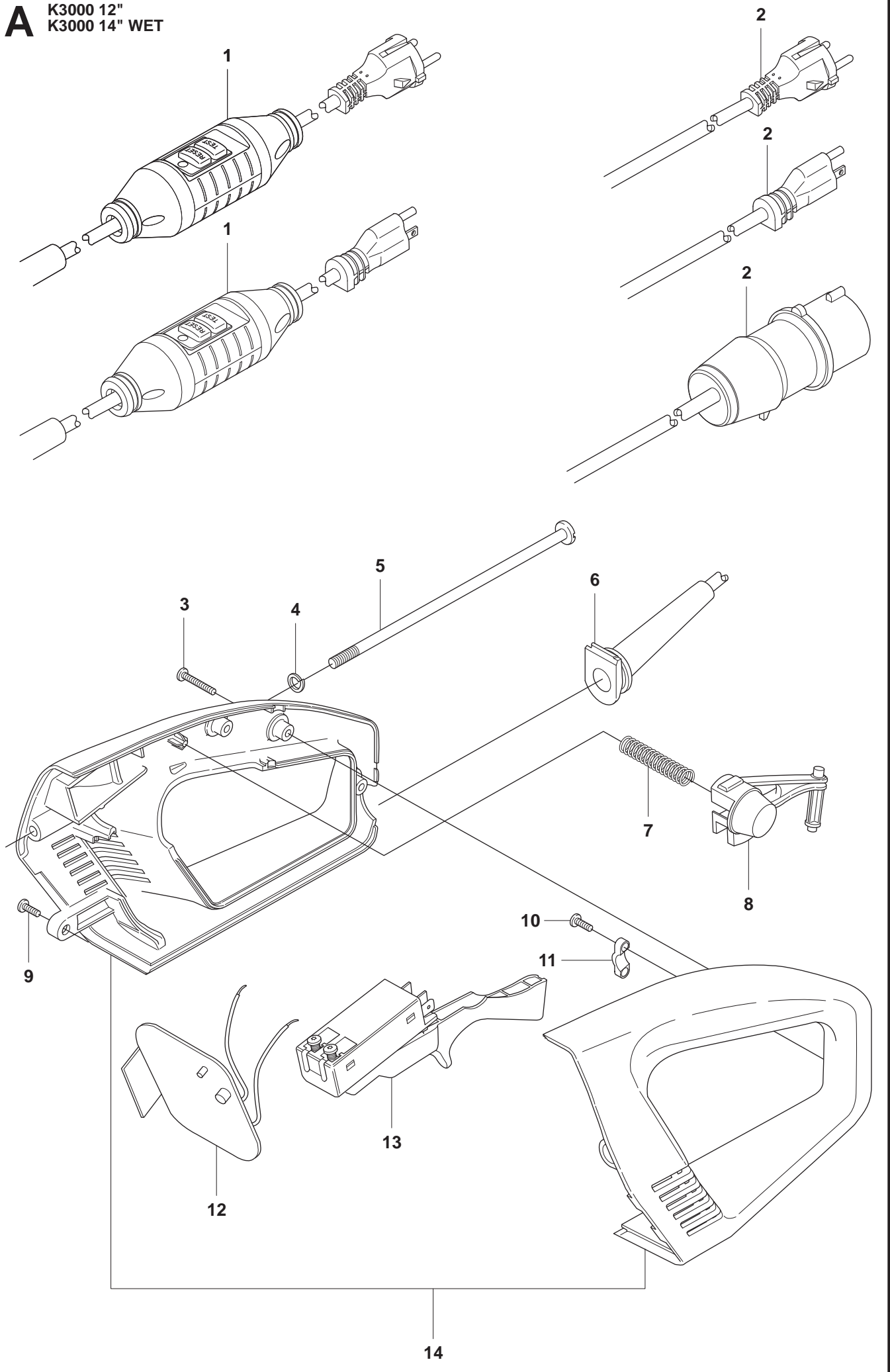
Piezas de repuesto

Ricambi

Peças sobresselente

No.	Pos.	Description	No.	Pos.	Description
501 69 17-02	G	COMBINATION TOOL	531 03 18-83	A	SWITCH
502 30 44-04	H	HOSE ASSY	531 03 18-85	A	SPRING
502 61 70-01	H	VALVE	531 03 18-87	A	CLIP
503 20 02-12	C	SCREW	531 03 18-90	D	MOTOR HOUSING
503 21 20-01	A	SCREW	531 03 18-91	D	PIPE
503 22 10-08	B	NUT	531 03 18-92	D	BRUSH ROCKER
503 25 09-01	B	BALL BEARING	531 03 18-94	E	SCREW
503 26 60-03	H	COUPLER	531 03 19-01	C	SCREW
503 26 60-04	H	COUPLER	531 03 19-02	A	SCREW
504 63 42-01	H	NIPPLE	531 07 42-60	H	FIBRE WASHER
504 63 45-01	H	HOUSING	544 40 32-01	C	GEAR SET
504 63 46-01	H	SCREW	544 40 33-01	C	SHAFT
505 09 54-02	H	HOSE KIT	544 40 34-01	E	GEAR HOUSING
505 10 35-01	H	O-RING	544 89 94-01	D	LID
505 11 55-01	H	HOUSING	544 90 02-01	D	LID
505 12 24-01	D	LID	544 90 05-01	A	CABLE SLEEVE
505 35 32-01	H	NIPPLE	544 90 06-01	A	LOCKING BUTTON
505 41 30-01	F	WHEEL GUARD	544 90 33-01	D	LABEL
505 44 33-03	A	CABLE ASSY	544 90 33-02	D	LABEL
505 52 02-11	A	CABLE CPL	544 90 33-04	D	LABEL
505 53 03-07	D	AIR STREAM DIRECTOR	544 90 45-01	A	HANDLE ASSY
505 53 03-10	C	GASKET	544 90 47-01	E	SHAFT
505 53 03-11	ADE	SCREW	544 98 40-01	D	LABEL WARNING
505 53 03-14	B	RUBBER BUSHING	723 22 85-81	D	SCREW
505 53 03-16	B	SPACER	724 12 87-59	D	SCREW
505 53 03-19	B	SPACER	724 12 91-01	D	SCREW
505 53 03-41	B	FELT JOINT	724 13 27-55	A	SCREW
505 53 03-51	B	SPRING WASHER	725 53 29-55	CH	SCREW
505 53 03-52	B	SPACER	729 57 76-01	D	SCREW
505 53 03-56	A	CABLE CPL	732 21 14-01	DH	LOCK NUT
506 02 87-01	C	FLANGE WASHER	734 11 36-01	D	WASHER
506 02 88-30	C	BUSHING	735 11 36-50	D	WASHER
506 09 86-02	BC	PINION	735 11 46-50	AD	WASHER
506 13 95-11	C	WASHER	735 21 36-01	D	WASHER
506 13 96-01	C	COLLAR SCREW	735 31 08-00	E	CIRCLIP
506 15 00-02	F	WHEEL GUARD	735 31 33-10	B	CIRCLIP
506 15 03-03	E	HANDLE	738 22 00-15	C	BALL BEARING
506 22 50-10	B	ARMATURE	738 22 02-27	B	BALL BEARING
506 22 50-20	B	ARMATURE			
506 22 51-10	D	FIELD COIL			
506 22 51-20	D	FIELD COIL			
506 22 53-01	D	SCREW			
506 22 58-02	D	CARBON BRUSH			
506 26 63-02	C	LINING			
506 26 64-01	C	SCREEN PATTERN FLANG			
506 26 65-01	C	FLANGE			
506 28 84-01	C	SCREEN PATTERN FLANG			
506 29 88-01	H	FILTER			
506 30 42-01	C	SPACER			
506 32 06-01	C	SEALING			
506 37 96-20	C	BUSHING			
506 37 96-22	C	BUSHING			
506 37 96-25	C	BUSHING			
506 38 43-14	D	LABEL			
506 38 43-24	D	LABEL			
506 38 44-15	D	LABEL			
506 48 61-01	H	FLOW CONTROL			
506 49 87-01	H	HOSE CLAMP			
506 60 68-07	H	HOSE			
506 60 68-08	H	HOSE			
510 11 20-01	H	NIPPLE			
510 11 39-01	H	HOSE ASSY			
510 18 13-02	A	CABLE ASSY			
510 18 14-01	A	CABLE CPL			
510 20 51-01	H	BRACKET ASSY			
531 03 12-76	E	SCREW			
531 03 18-23	E	SPRING			
531 03 18-75	C	GEAR WHEEL			
531 03 18-81	A	ENGINE PROTECTION			
531 03 18-82	A	ENGINE PROTECTION			

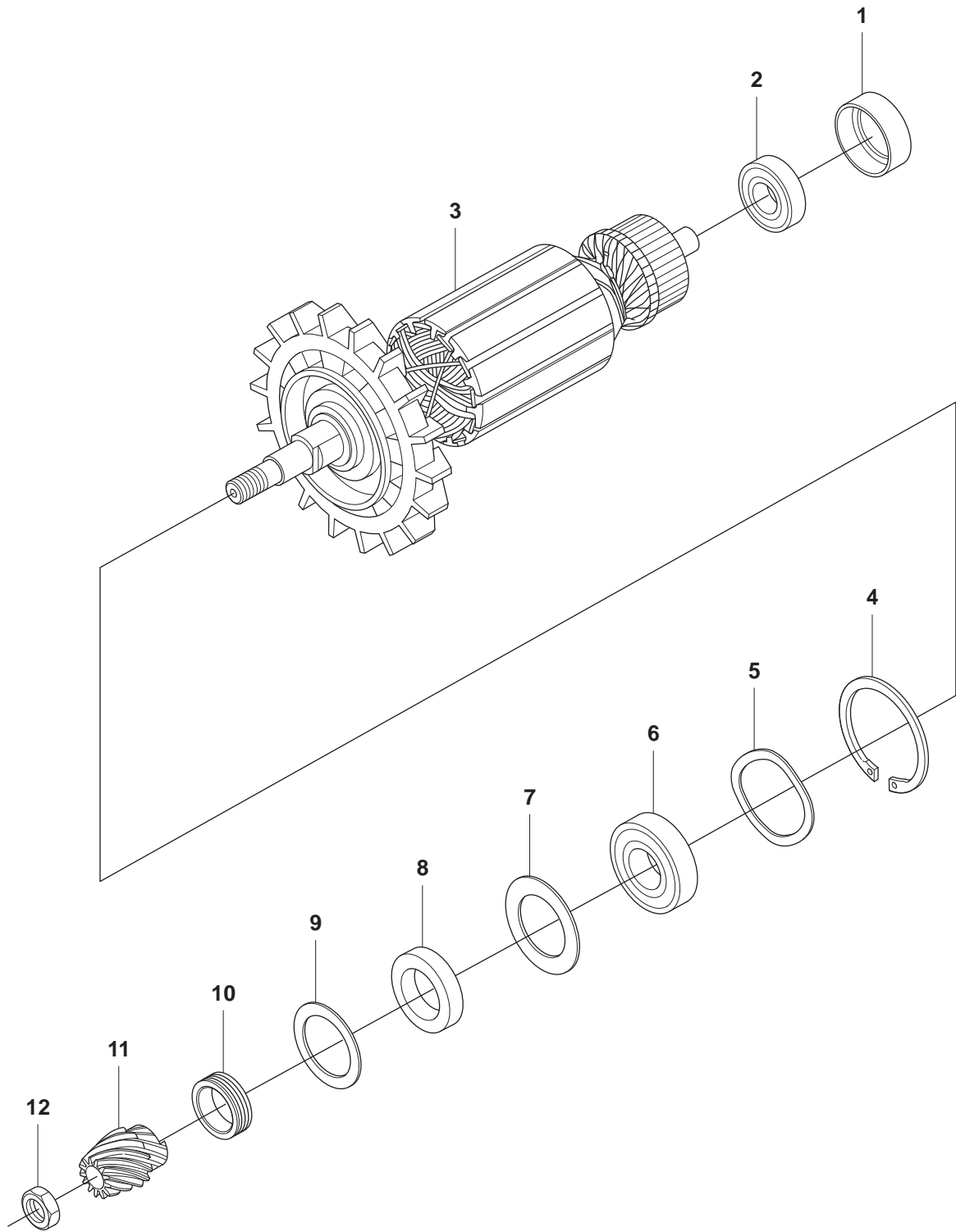
A K3000 12"
K3000 14" WET



Page A
K3000, K3000 Wet

Pos.	Part No.	Description	Quantity	Notes	New Part
1	505 44 33-03	CABLE ASSY	1	230V	New Part
1	510 18 13-02	CABLE ASSY	1	110V JP, USA	New Part
2	505 52 02-11	CABLE CPL	1	230V	
2	505 53 03-56	CABLE CPL	1	110V JP, USA	
2	510 18 14-01	CABLE CPL	1	110V UK	New Part
3	531 03 19-02	SCREW	3		
4	735 11 46-50	WASHER	1		
5	505 53 03-11	SCREW	1		
6	544 90 05-01	CABLE SLEEVE	1	230V	
7	531 03 18-85	SPRING	1		
8	544 90 06-01	LOCKING BUTTON	1		
9	724 13 27-55	SCREW	1		
10	503 21 20-01	SCREW	2		
11	531 03 18-87	CLIP	1		
12	531 03 18-81	ENGINE PROTECTION	1	110V	
12	531 03 18-82	ENGINE PROTECTION	1	230V	
13	531 03 18-83	SWITCH	1		
14	544 90 45-01	HANDLE ASSY	1		

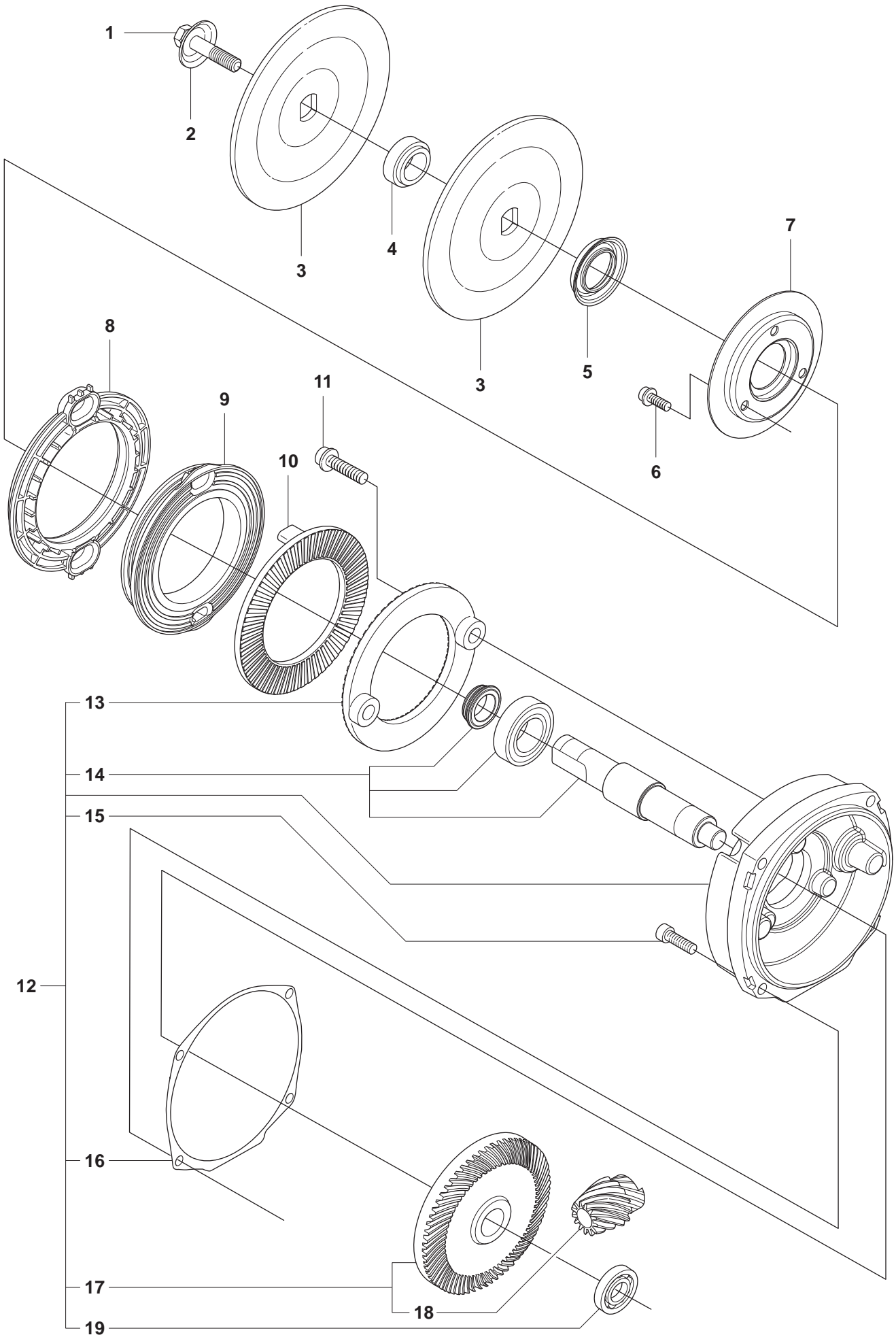
B K3000 12"
K3000 14" WET



Page B**K3000, K3000 Wet**

Pos.	Part No.	Description	Quantity	Notes	New Part
1	505 53 03-14	RUBBER BUSHING	1		
2	503 25 09-01	BALL BEARING	1		
3	506 22 50-10	ARMATURE	1	100 - 120V	
3	506 22 50-20	ARMATURE	1	230V	
4	735 31 33-10	CIRCLIP	1		
5	505 53 03-51	SPRING WASHER	1		
6	738 22 02-27	BALL BEARING	1		
7	505 53 03-16	SPACER	1		
8	505 53 03-41	FELT JOINT	1		
9	505 53 03-52	SPACER	1		
10	505 53 03-19	SPACER	1		
11	506 09 86-02	PINION	1		
12	503 22 10-08	NUT	1		

C K3000 12"
K3000 14" WET



Page C**K3000, K3000 Wet**

Pos.	Part No.	Description	Quantity	Notes	New Part
1	506 13 96-01	COLLAR SCREW	1		
2	506 13 95-11	WASHER	1		
3	506 02 87-01	FLANGE WASHER	2		
4	506 37 96-20	BUSHING	1	Diam 20mm	
4	506 37 96-22	BUSHING	1	Diam 22,2mm	
4	506 37 96-25	BUSHING	1	Diam 25,4mm	
4	506 02 88-30	BUSHING	1	Diam 30,5mm	
5	506 32 06-01	SEALING	1		
6	725 53 29-55	SCREW	3		
7	506 26 65-01	FLANGE	1		
8	506 30 42-01	SPACER	1	12" only	
9	506 26 63-02	LINING	1		
10	506 26 64-01	SCREEN PATTERN FLANG	1		
11	503 20 02-12	SCREW	2		
12	544 40 32-01	GEAR SET	1	Incl. 13 - 17, 19	
13	506 28 84-01	SCREEN PATTERN FLANG	1		
14	544 40 33-01	SHAFT	1		
15	531 03 19-01	SCREW	4		
16	505 53 03-10	GASKET	2		
17	531 03 18-75	GEAR WHEEL	1	Incl. 18	
18	506 09 86-02	PINION	1		
19	738 22 00-15	BALL BEARING	1		

D K3000 12"
K3000 14" WET

K3000
Wet

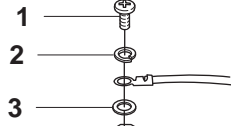
Husqvarna

K3000
ELECTRIC

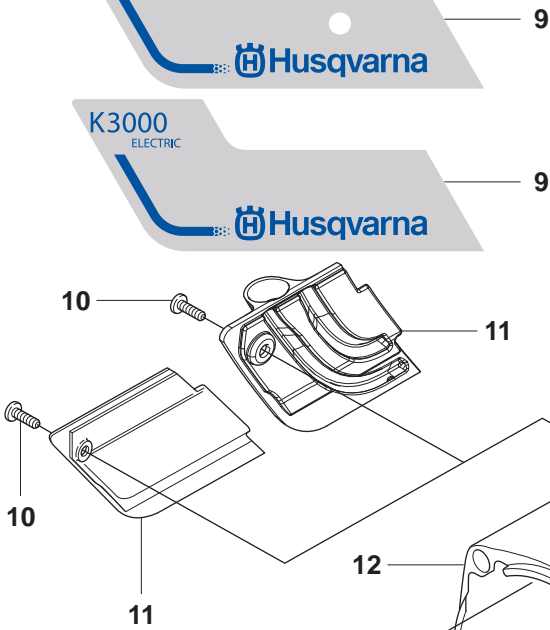
Husqvarna

K3000
ELECTRIC

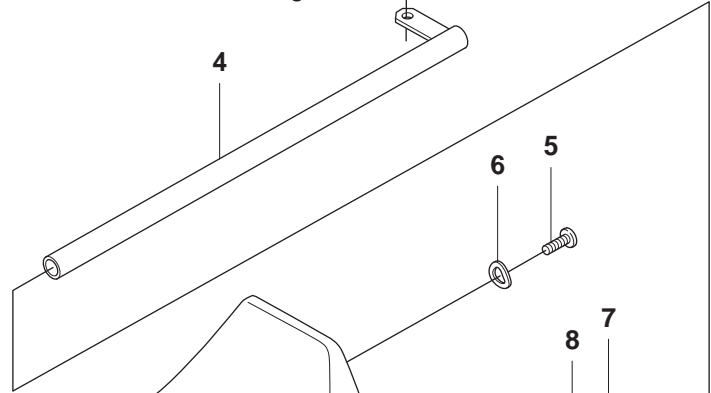
13



4

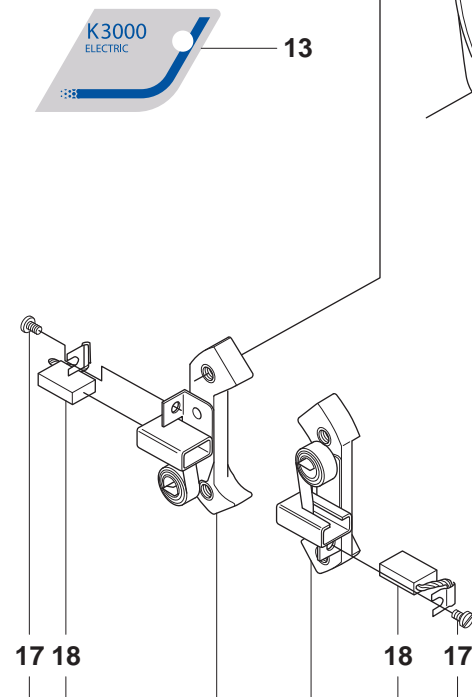


12



8

15



16

14

8

23

10

⚠ WARNING ⚠
Cutters can be dangerous!
For safe operations follow all safety precautions in operator manual.

- Only persons who have been instructed in the use of this cutter and who are familiar with all safety precautions in the Operator's Manual shall operate this cutter.
- Operator can cut across cables.
- Use only original cutting blades approved for forward cutting and for the maximum speed rating of cutter in accordance with operator manual.
- Use personal protective equipment as outlined in the Operator's Manual. Pay special attention to eye protection and hearing mask.
- Keep all fingers well away from the operating arm.

HUSQVARNA CONSTRUCTION PRODUCTS, SWEDEN

23

御注意

20mm
2.0mmφ

この器具は 2kW (50Hz), 1.8kW (60Hz) 以上にてご利用ください。
切刃の鋭さはブレードを押し付け過ぎて、回転数が極端に落ちないように注意して下さい。

HUSQVARNA CONSTRUCTION PRODUCTS, SWEDEN

23

⚠ WARNING ⚠
Cutters can be dangerous!
For safe operations follow all safety precautions in operator manual.

- Only persons who have been instructed in the use of this cutter and who are familiar with all safety precautions in the Operator's Manual shall operate this cutter.
- Operator can cut across cables.
- Use only approved or original cutting equipment approved for forward cutting in this application.
- Use personal protective equipment as outlined in the Operator's Manual. Pay special attention to eye protection and hearing mask.
- Do not repeat machines for rails or wet cutting.

HUSQVARNA CONSTRUCTION PRODUCTS, SWEDEN

22



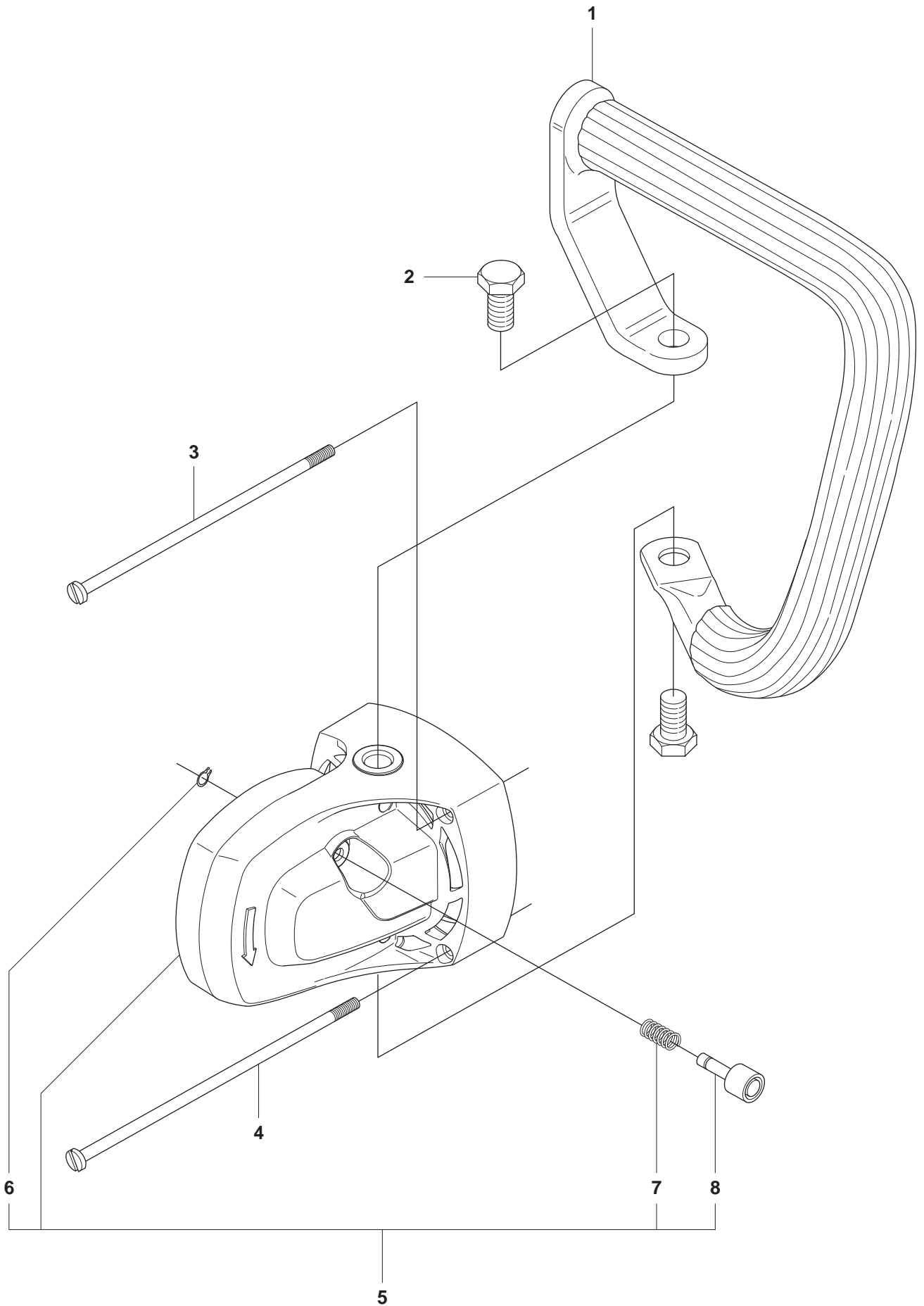
20

21

Page D**K3000, K3000 Wet**

Pos.	Part No.	Description	Quantity	Notes	New Part
1	724 12 87-59	SCREW	1		
2	735 21 36-01	WASHER	1		
3	734 11 36-01	WASHER	1		
4	531 03 18-91	PIPE	1		
5	724 12 91-01	SCREW	4		
6	735 11 36-50	WASHER	4		
7	732 21 14-01	LOCK NUT	2		
8	735 11 46-50	WASHER	2		
9	544 90 33-01	LABEL	1	Electric	
9	544 90 33-04	LABEL	1	Wet	
10	729 57 76-01	SCREW	1		
11	544 90 02-01	LID	1		
11	505 12 24-01	LID	1	Wet	New Part
12	531 03 18-90	MOTOR HOUSING	1		
13	544 90 33-02	LABEL	1		
14	505 53 03-11	SCREW	1		
15	544 89 94-01	LID	1		
16	531 03 18-92	BRUSH ROCKER	1	Incl. 17, 18	
17	506 22 58-02	CARBON BRUSH	2		
18	723 22 85-81	SCREW	2		
19	505 53 03-07	AIR STREAM DIRECTOR	1		
20	506 22 53-01	SCREW	2		
21	506 22 51-10	FIELD COIL	1	100 - 120V	
21	506 22 51-20	FIELD COIL	1	230V	
22	544 98 40-01	LABEL WARNING	1		
23	506 38 44-15	LABEL	1	JP	
23	506 38 43-14	LABEL	1	USA	
23	506 38 43-24	LABEL	1	USA Wet	

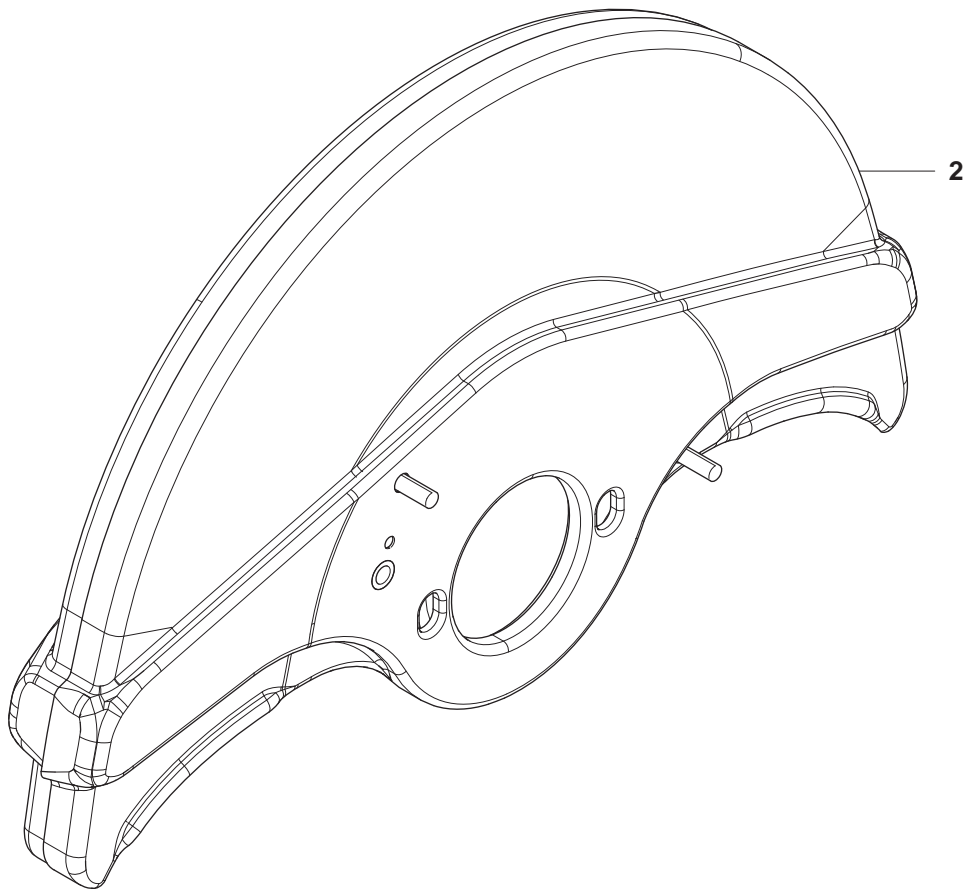
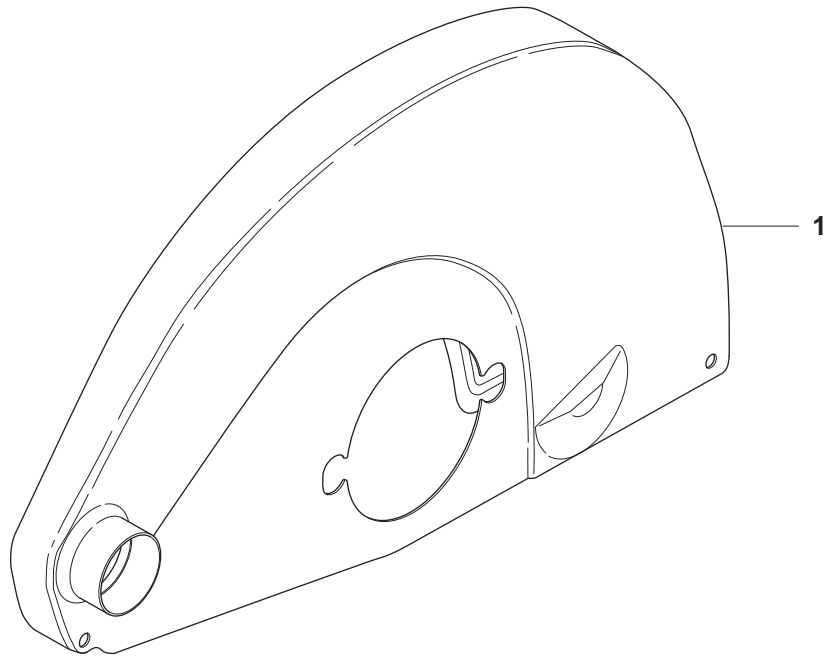
E K3000 12"
K3000 14" WET



Page E
K3000, K3000 Wet

Pos.	Part No.	Description	Quantity	Notes	New Part
1	506 15 03-03	HANDLE	1		
2	531 03 12-76	SCREW	2		
3	505 53 03-11	SCREW	1		
4	531 03 18-94	SCREW	1		
5	544 40 34-01	GEAR HOUSING	1	Incl. 6 - 8	
6	735 31 08-00	CIRCLIP	1		
7	531 03 18-23	SPRING	1		
8	544 90 47-01	SHAFT	1		

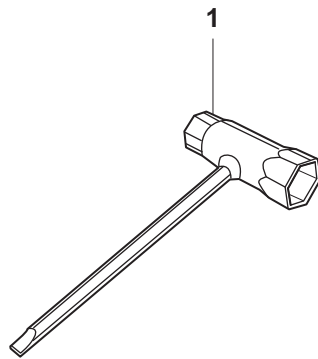
F K3000 12"
K3000 14" WET



Page F
K3000, K3000 Wet

Pos.	Part No.	Description	Quantity	Notes	New Part
1	506 15 00-02	WHEEL GUARD	1	12"	
2	505 41 30-01	WHEEL GUARD	1	14" Wet	

G K3000 12"
K3000 14" WET



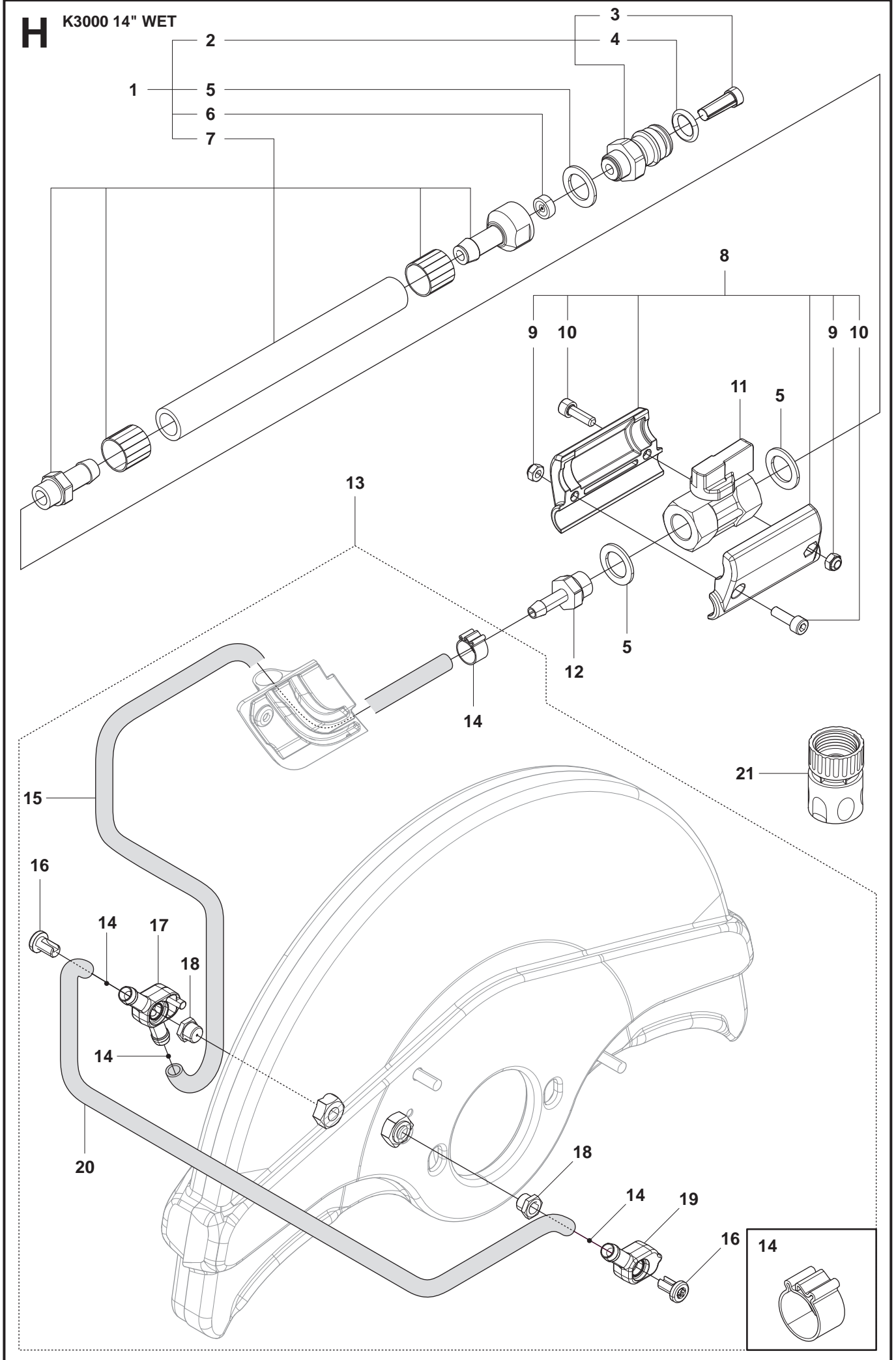
Page G

K3000, K3000 Wet

Pos.	Part No.	Description	Quantity	Notes	New Part
1	501 69 17-02	COMBINATION TOOL	1		

H

K3000 14" WET



Page H
K3000, K3000 Wet

Pos.	Part No.	Description	Quantity	Notes	New Part
1	502 30 44-04	HOSE ASSY	1	Incl. 2, 5 - 7	New Part
2	510 11 20-01	NIPPLE	1	Incl. 3, 4	New Part
3	506 29 88-01	FILTER	1		
4	505 10 35-01	O-RING	1		
5	531 07 42-60	FIBRE WASHER	3		
6	506 48 61-01	FLOW CONTROL	1		
7	510 11 39-01	HOSE ASSY	1		
8	510 20 51-01	BRACKET ASSY	1	Incl. 9 - 10	New Part
9	732 21 14-01	LOCK NUT	2		New Part
10	725 53 29-55	SCREW	2		New Part
11	502 61 70-01	VALVE	1		
12	505 35 32-01	NIPPLE	1		
13	505 09 54-02	HOSE KIT	1	Incl. 14 - 20	New Part
14	506 49 87-01	HOSE CLAMP	4		New Part
15	506 60 68-08	HOSE	1	720 mm	
16	504 63 46-01	SCREW	2		
17	505 11 55-01	HOUSING	1		
18	504 63 42-01	NIPPLE	2		
19	504 63 45-01	HOUSING	1		
20	506 60 68-07	HOSE	1	300 mm	
21	503 26 60-03	COUPLER	1	USA	New Part
21	503 26 60-04	COUPLER	1		New Part