

01 Jun 2009

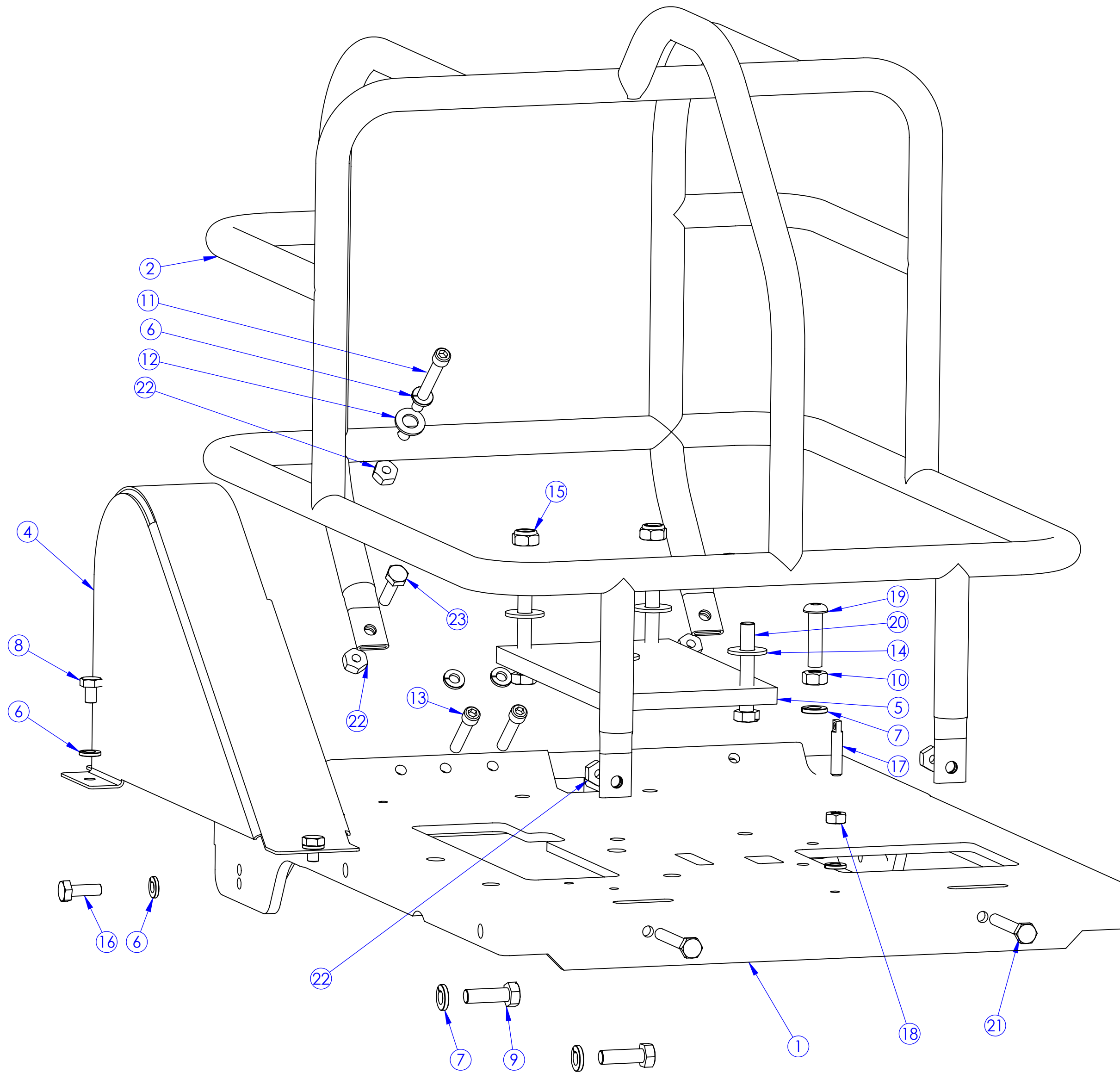
# Husqvarna X150D

Illustrated Parts List

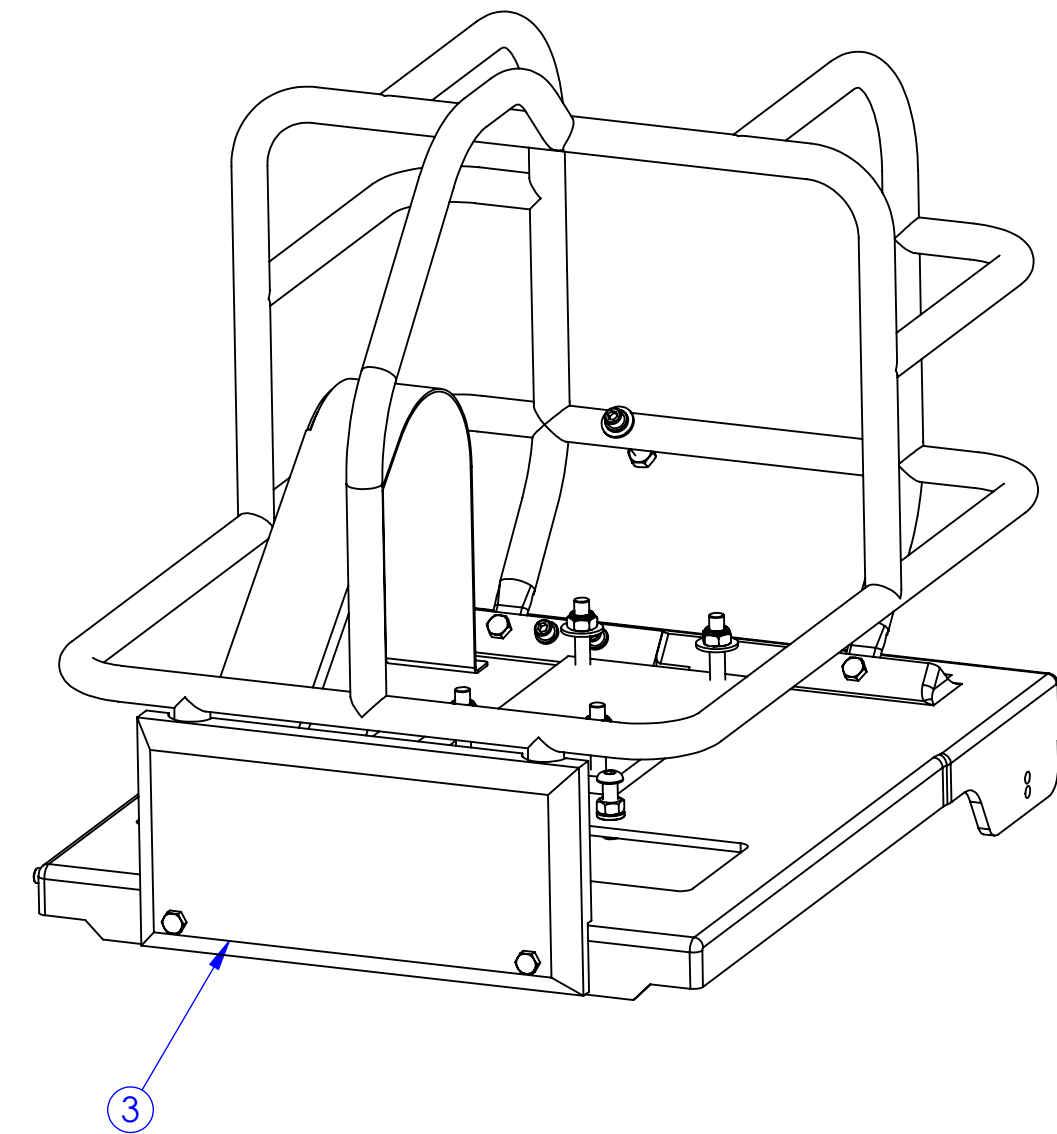
574 64 94-10



**510272513**



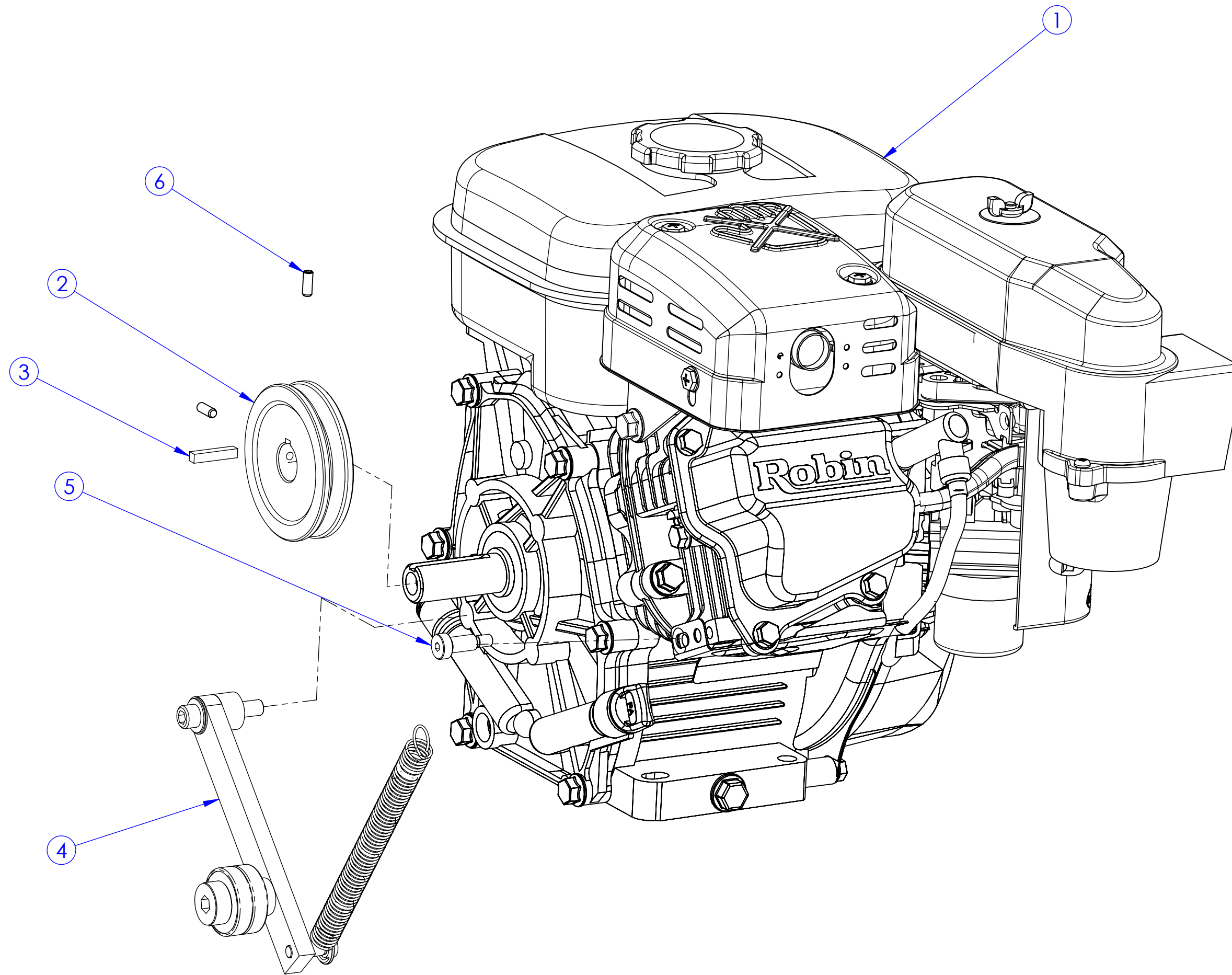
ITEM NO.	PART NUMBER	DESCRIPTION	510272 512/QT Y.
1	505586501	BOTTOM PLATE, X150	1
2	505586601	ROLLCAGE, X150	1
3	505589801	PLATE, WEIGHT, X150D	1
4	505601301	COVER, BELT GUARD, X150	1
5	505655401	MOTOR BUSHING	1
6	505632801	WASHER, SPLIT 1/4" S.S.	8
7	505633001	WASHER, SPLIT 5/16" S.S.	3
8	505627301	HHB 1/4-20 X .375 S.S.	3
9	505727501	HHB 5/16-18 X 1	2
10	505732401	NUT, 5/16-18 HEX, S.S.	1
11	505728901	SHCS 1/4-20 X 2 S.S.	1
12	505725501	WASHER, 1/4" FLAT SAE ZINC	1
13	505628001	SHCS 1/4-20 X 1 1/4 S.S.	2
14	505686101	WASHER, 5/16" FLAT USS	4
15	505630601	NUT, NYLOC, 5/16-18 CAD	4
16	505627501	HHB 1/4-20 X .75 S.S.	2
17	505774501	SPRING ANCHOR, 1/4-20 X 1	1
18	505631901	NUT, 1/4-20 HEX, S.S.	1
19	510318801	BHS, 5/16-18 X 1 1/4	1
20	505687701	HHB 5/16-18 X 2 GR8	4
21	505728101	HHB 1/4-20 X 2 S.S. ALL THRD	2
22	505630501	NUT, NYLOC, 1/4-20 CAD	5
23	505727301	HHB 1/4-20 X 1 S.S.	1



**SUB-ASSEMBLY BILL OF MATERIAL**

SOFF-CUT INT'L, INC. CLAIMS PROPRIETARY RIGHTS TO THE MATERIAL DISCLOSED IN THIS DOCUMENT. THIS DOCUMENT IS PROVIDED IN CONFIDENCE AND MAY NOT BE REPRODUCED OR DISCLOSED WITHOUT WRITTEN PERMISSION FROM SOFF-CUT INT'L. © COPYRIGHT 2007, SOFF-CUT INT'L, INC. ALL RIGHTS RESERVED.

**510271611**

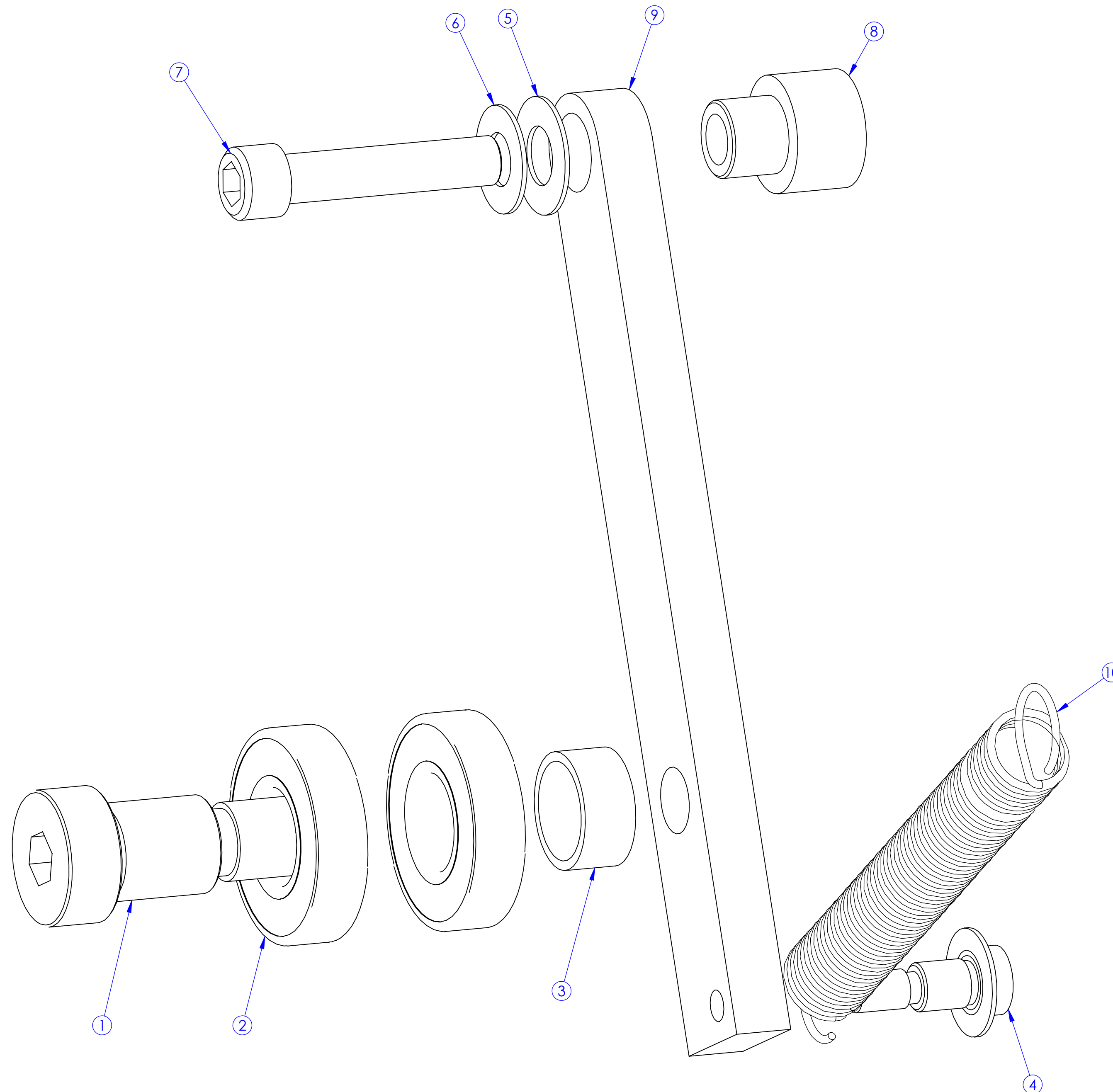


ITEM NO.	PART NUMBER	DESCRIPTION	QTY.
1	505593901	ENGINE, 4.5 HP	1
2	505593301	SHEAVE, 1/3V 3.15 OD X .75 ID	1
3	510317301	KEY, 3/16 X 3/16 X 1.00	1
4	510271711	BELT TENSIONER	1
5	505591501	SHSB, M8 X 16	1
6	505591601	SET SCREW, FLAT 10-32 X .500	2

**SUB-ASSEMBLY BILL OF MATERIAL**

SOFF-CUT INT'L, INC. CLAIMS PROPRIETARY RIGHTS TO THE MATERIAL DISCLOSED IN THIS DOCUMENT. THIS DOCUMENT IS PROVIDED IN CONFIDENCE AND MAY NOT BE REPRODUCED OR DISCLOSED WITHOUT WRITTEN PERMISSION FROM SOFF-CUT INT'L. © COPYRIGHT 2007, SOFF-CUT INT'L, INC. ALL RIGHTS RESERVED.

**510271711**

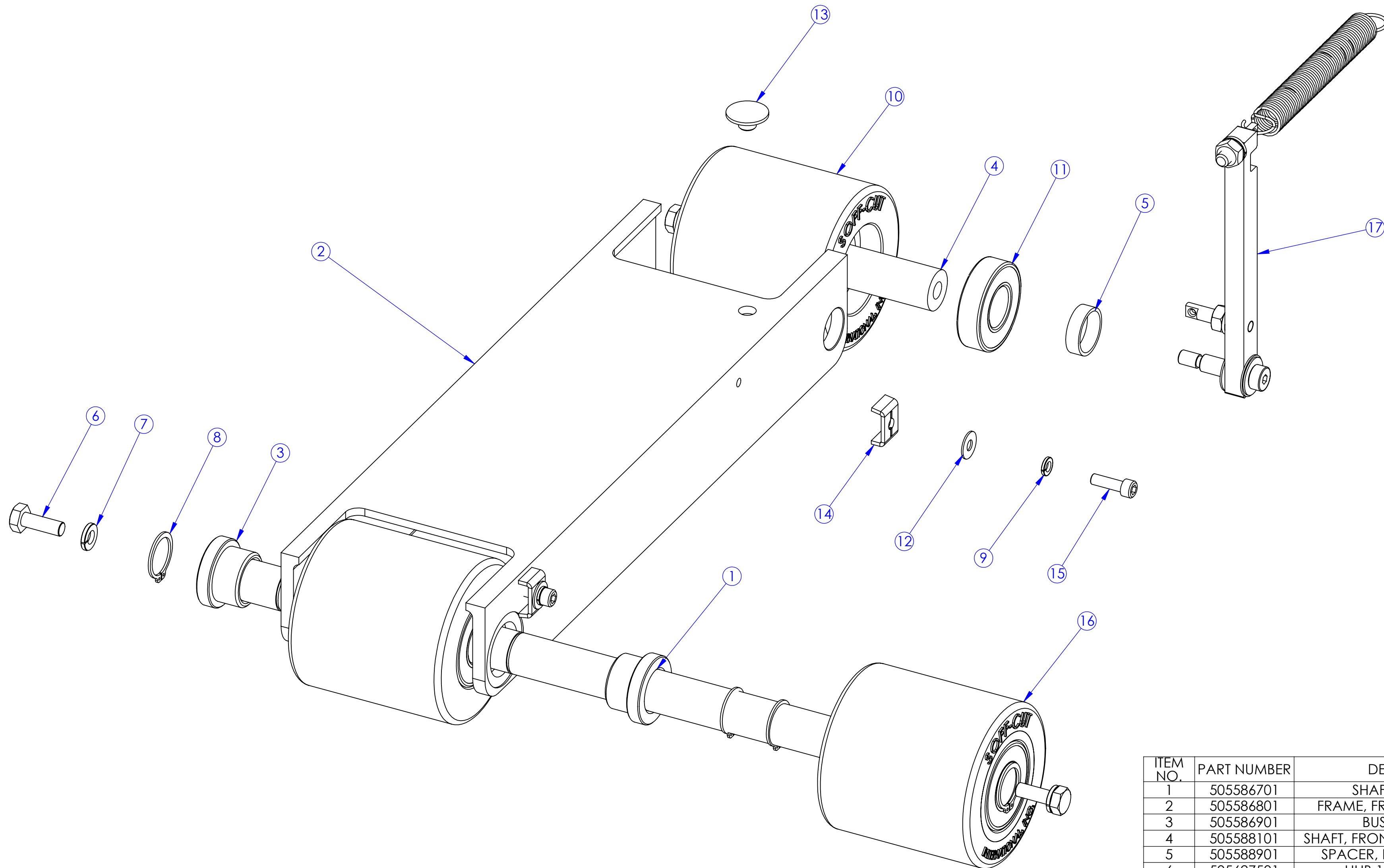


ITEM NO.	PART NUMBER	DESCRIPTION	QTY.
1	505726201	SHSB, 5/8 x 3/4	1
2	505736001	BEARING, .625 ID, R10-2RS	2
3	505714602	SPACER, .625"ID X .350"L ALUM.	1
4	505726501	SHSB, 5/16 X 3/8	1
5	505634501	WASHER, 3/8" DELRIN	1
6	505725201	WASHER, 5/16" FLAT S.S.	2
7	505591901	SHCS 5/16-24 X 1 1/2 S.S.	1
8	505589001	SPACER, BELT TENSION, X150	1
9	505587301	ARM, BELT TENSION	1
10	505737901	SPRING, EXTENSION	1

**SUB-ASSEMBLY BILL OF MATERIAL**

SOFF-CUT INT'L, INC. CLAIMS PROPRIETARY RIGHTS TO THE MATERIAL DISCLOSED IN THIS DOCUMENT. THIS DOCUMENT IS PROVIDED IN CONFIDENCE AND MAY NOT BE REPRODUCED OR DISCLOSED WITHOUT WRITTEN PERMISSION FROM SOFF-CUT INT'L. © COPYRIGHT 2007, SOFF-CUT INT'L, INC. ALL RIGHTS RESERVED.

**510271413**

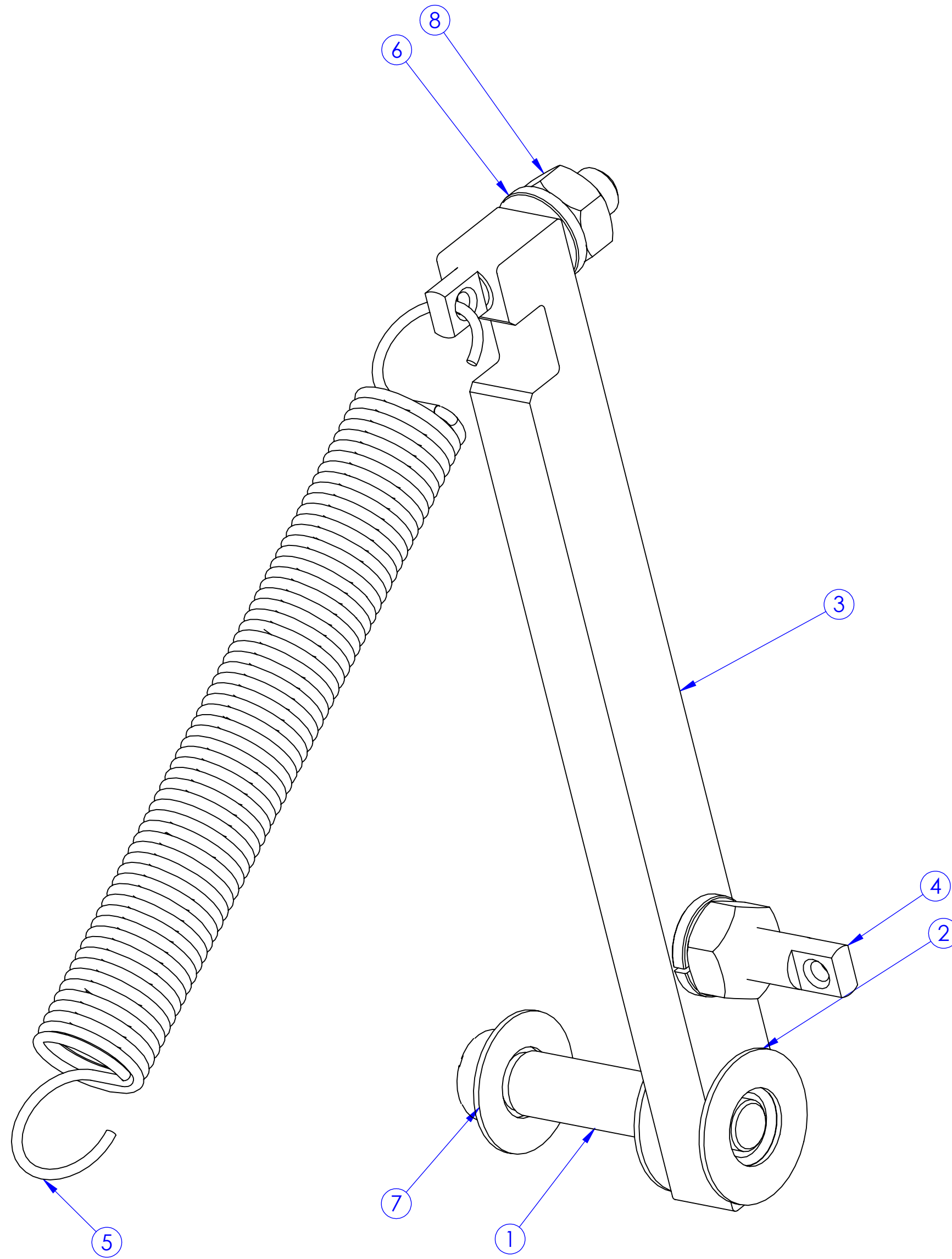


ITEM NO.	PART NUMBER	DESCRIPTION	QTY.
1	505586701	SHAFT, REAR AXLE	1
2	505586801	FRAME, FRONT WHEEL, X150	1
3	505586901	BUSHING, X150	2
4	505588101	SHAFT, FRONT WHEEL AXLE, X150	1
5	505588901	SPACER, FRONT AXLE, X150	2
6	505627501	HHB 1/4-20 X .75 S.S.	3
7	505632801	WASHER, SPLIT 1/4" S.S.	3
8	505733501	SNAP RING, EXT .750"	3
9	505633101	WASHER, SPLIT #10 S.S.	2
10	505592901	FRONT WHEEL, 3 DIA X 3	2
11	505736101	BEARING, .750 ID, R12-2RS	4
12	505725301	WASHER, #10 FLAT	2
13	505625301	WEAR BUTTON, STAINLESS STEEL	1
14	505648901	CLAMP, METAL	2
15	505729701	SHCS 10-32 X 5/8 S.S.	2
16	505863401	WHEEL ASSY, FRONT, 3"D X 3"W	1
17	510272711	BLADE RELEASE ARM	1

**SUB-ASSEMBLY BILL OF MATERIAL**

SOFF-CUT INTL. INC. CLAIMS PROPRIETARY RIGHTS TO THE MATERIAL DISCLOSED IN THIS DOCUMENT. THIS DOCUMENT IS PROVIDED IN CONFIDENCE AND MAY NOT BE REPRODUCED OR DISCLOSED WITHOUT WRITTEN PERMISSION FROM SOFF-CUT INTL. © COPYRIGHT 2007, SOFF-CUT INTL. INC. ALL RIGHTS RESERVED.

**510272711**

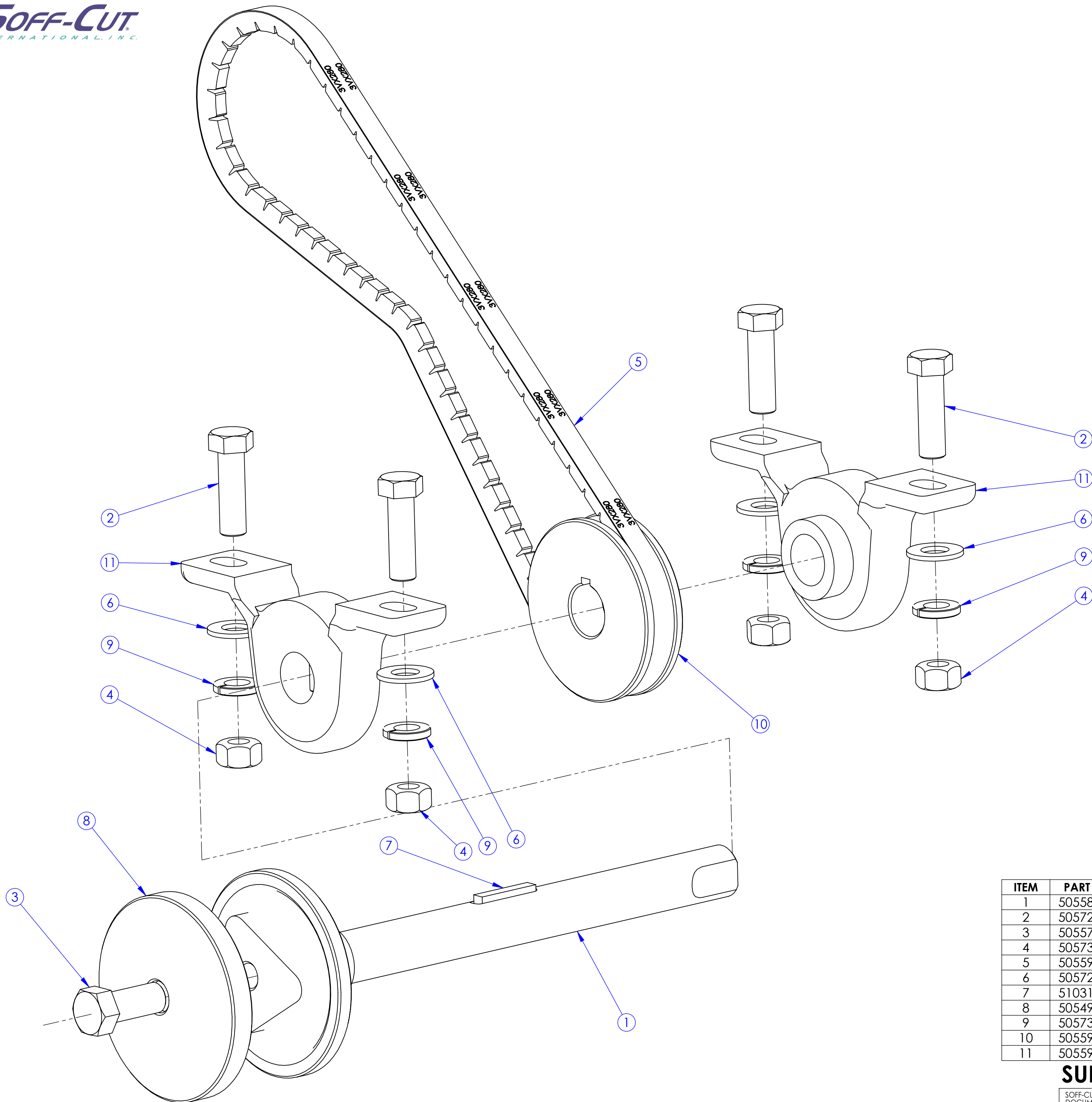


ITEM NO.	PART NUMBER	DESCRIPTION	QTY.
1	505726701	SHSB, 5/16 X 1	1
2	505634501	WASHER, 3/8" DELRIN	2
3	505587001	BLADE RELEASE LEVER	1
4	505774501	SPRING ANCHOR, 1/4-20 X 1	2
5	505737901	SPRING, EXTENSION	1
6	505632801	WASHER, SPLIT 1/4" S.S.	2
7	505725201	WASHER, 5/16" FLAT S.S.	1
8	505631901	NUT, 1/4-20 HEX, S.S.	2

**SUB-ASSEMBLY BILL OF MATERIAL**

SOFF-CUT INT'L, INC. CLAIMS PROPRIETARY RIGHTS TO THE MATERIAL DISCLOSED IN THIS DOCUMENT. THIS DOCUMENT IS PROVIDED IN CONFIDENCE AND MAY NOT BE REPRODUCED OR DISCLOSED WITHOUT WRITTEN PERMISSION FROM SOFF-CUT INT'L. © COPYRIGHT 2007, SOFF-CUT INT'L, INC. ALL RIGHTS RESERVED.

**510272211**

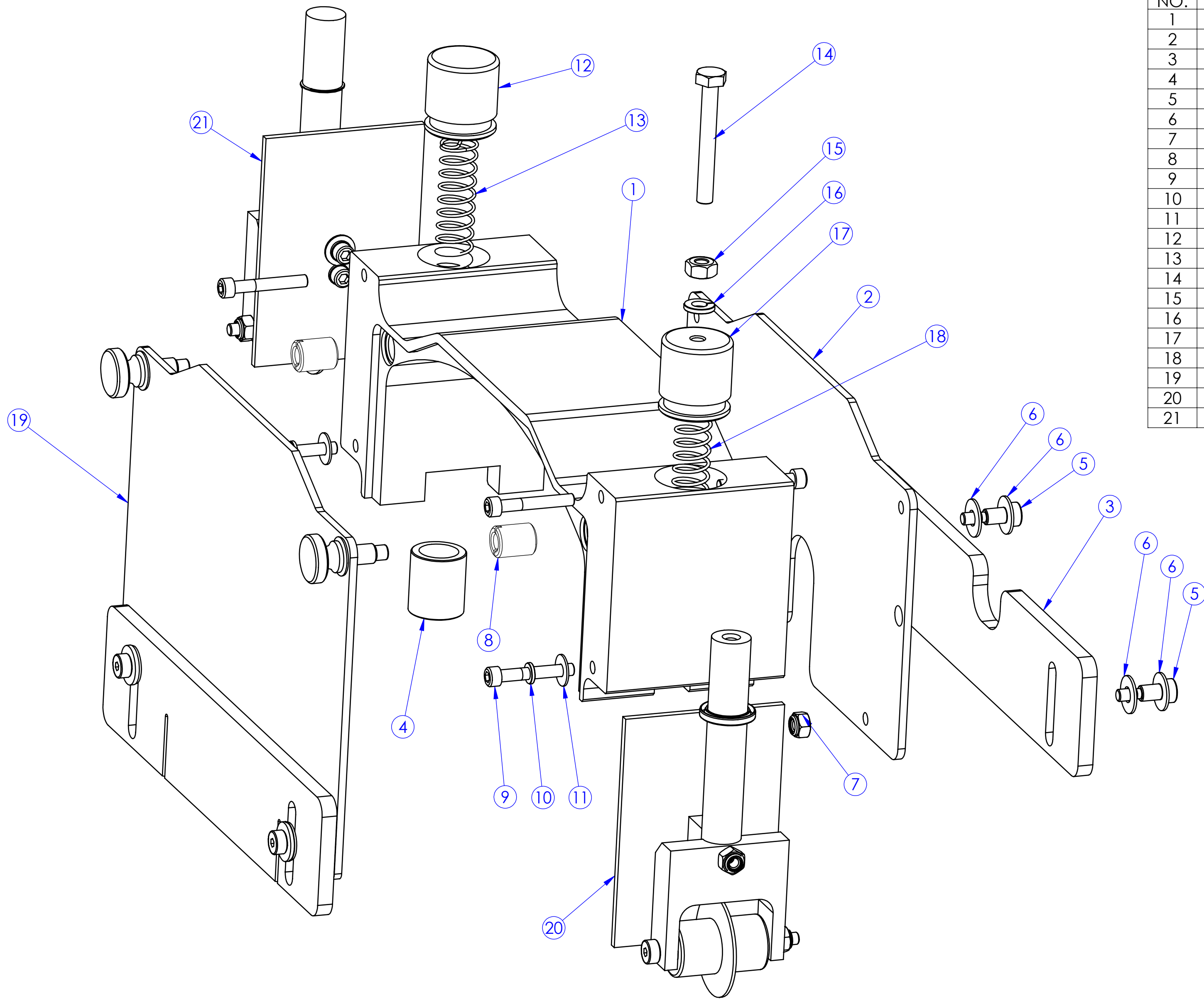


ITEM	PART NUMBER	DESCRIPTION	QTY
1	505588401	BLADE SHAFT, X150	1
2	505727601	HHB 3/8-16 X 1 1/4	4
3	505573401	HHB 7/16-14 X 1 F911	1
4	505732101	NUT, 3/8-16 HEX, GR5 ZINC	4
5	505592101	BELT, 3VX280	1
6	505724601	WASHER, 3/8" FLAT	4
7	510317301	KEY, 3/16 X 3/16 X 1.00	1
8	505491502	ARBOR WASHER, X150	1
9	505731001	WASHER, SPLIT 3/8" S.S.	4
10	505593201	SHEAVE, 1/3V 2.65 OD X .75 ID	1
11	505592001	BEARING, PILLOW BLOCK, 3/4" ID	2

**SUB-ASSEMBLY BILL OF MATERIAL**

SOFF-CUT INTL. INC. CLAIMS PROPRIETARY RIGHTS TO THE MATERIAL DISCLOSED IN THIS DOCUMENT. THIS DOCUMENT IS PROVIDED IN CONFIDENCE AND MAY NOT BE REPRODUCED OR DISCLOSED WITHOUT WRITTEN PERMISSION FROM SOFF-CUT INTL. © COPYRIGHT 2007, SOFF-CUT INTL. INC. ALL RIGHTS RESERVED.

**510272113**



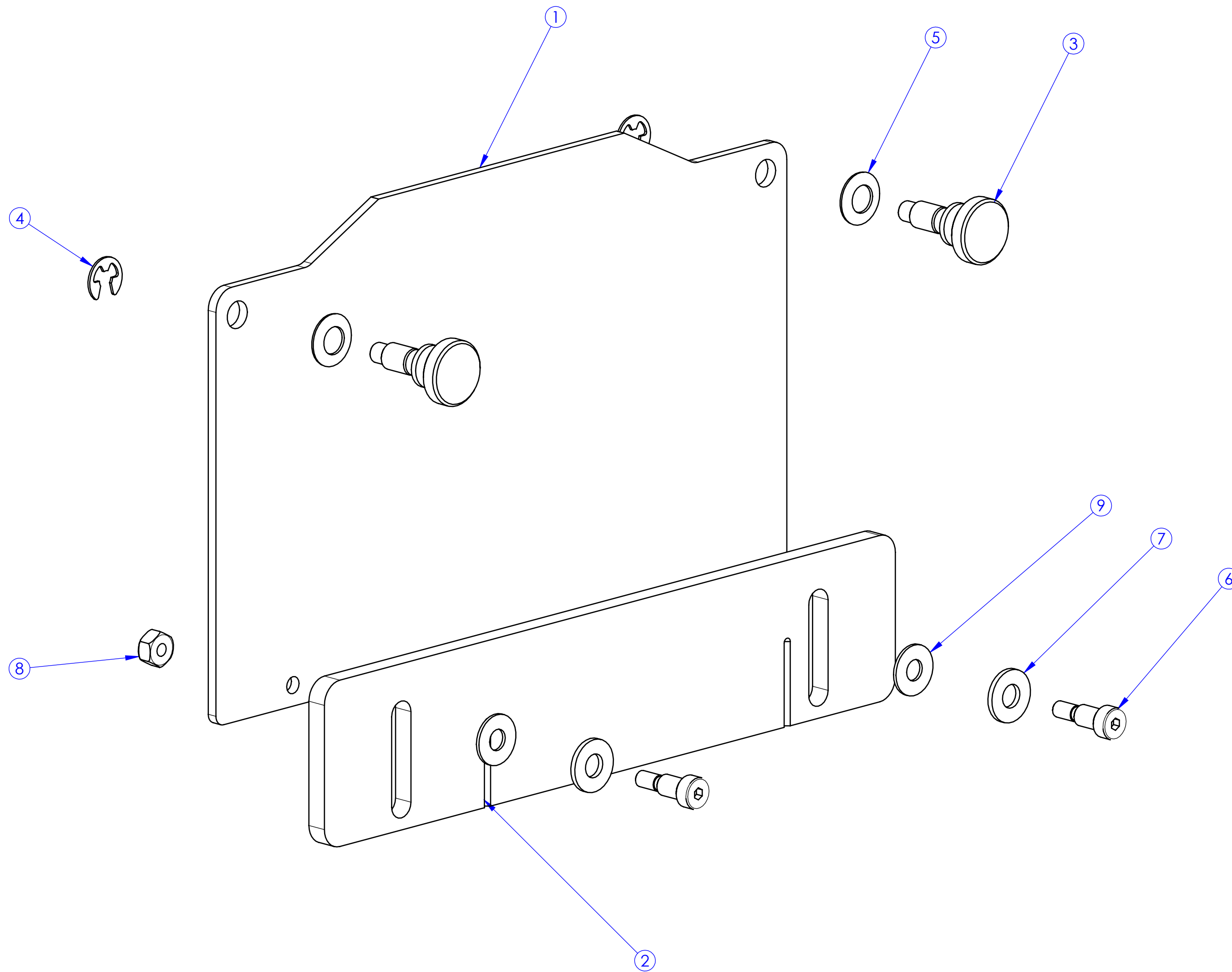
ITEM NO.	PART NUMBER	DESCRIPTION	QTY.
1	505590101	HOUSING, BLADE X-150D	1
2	505587601	PANEL, REAR COVER, BB	1
3	505587901	LEXAN INNER, X150	1
4	505593601	5/8 ID X 7/8 OD X 1 BUSHING	2
5	505686401	SHSB, 1/4 X 3/8	2
6	505634401	WASHER, 1/4" DELRIN	4
7	505630401	NUT, NYLOC, #10-24 CAD	2
8	505748301	INSERT, 1/2-13 X 5/16-18	2
9	505591401	SHCS 10-32 X 1 1/4 S.S.	5
10	505633101	WASHER, SPLIT #10 S.S.	2
11	505725301	WASHER, #10 FLAT	2
12	505590801	CAP, BB REAR X150D	1
13	505593001	SPRING, BB, REAR	1
14	505728101	HHB 1/4-20 X 2 S.S. ALL THRD	1
15	505631901	NUT, 1/4-20 HEX, S.S.	1
16	505632801	WASHER, SPLIT 1/4" S.S.	1
17	505590501	CAP, BB X150D V-BLADE	1
18	505593101	SPRING, BB, FRONT	1
19	574234911	BLADE BLOCK COVER	1
20	505876501	KIT, GUIDE WHEEL, FRONT	1
21	505876601	KIT, REAR GUIDE WHEEL	1

**SUB-ASSEMBLY BILL OF MATERIAL**

SOFF-CUT INT'L, INC. CLAIMS PROPRIETARY RIGHTS TO THE MATERIAL DISCLOSED IN THIS DOCUMENT. THIS DOCUMENT IS PROVIDED IN CONFIDENCE AND MAY NOT BE REPRODUCED OR DISCLOSED WITHOUT WRITTEN PERMISSION FROM SOFF-CUT INT'L. © COPYRIGHT 2007, SOFF-CUT INT'L, INC. ALL RIGHTS RESERVED.



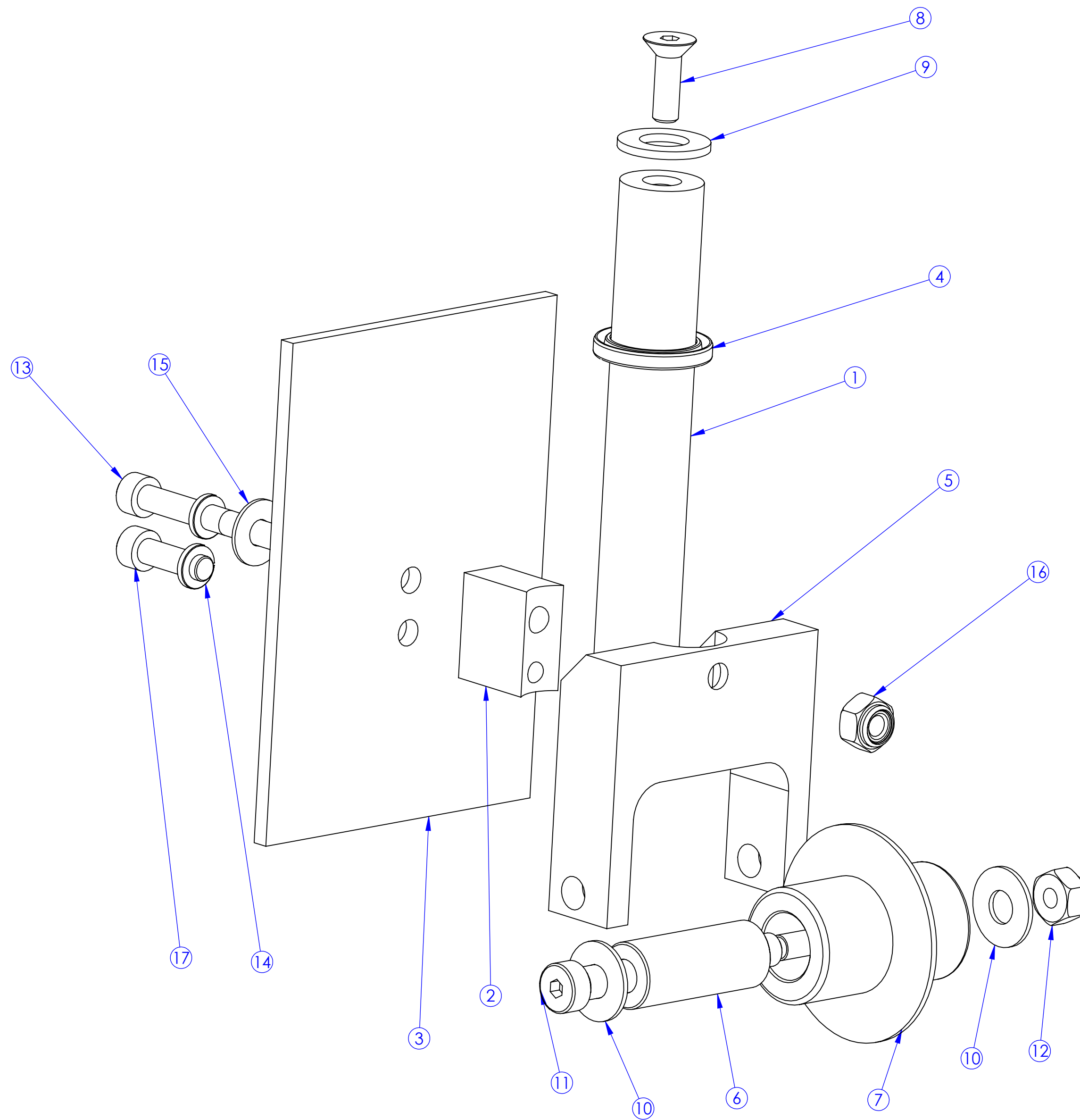
**574234911**



ITEM NO.	PART NUMBER	DESCRIPTION	QTY.
1	505587401	COVER, BLADE BLOCK, FRONT	1
2	505588001	LEXAN, OUTER, X150	1
3	505536301	KNOB, BB COVER	2
4	505536501	E-CLIP, 1/4"	2
5	505536401	WASHER, BELLEVILLE, 5/16" S.S.	2
6	505686401	SHSB, 1/4 X 3/8	2
7	505632001	WASHER, 1/4" FLAT S.S.	2
8	505630401	NUT, NYLOC, #10-24 CAD	2
9	505634401	WASHER, 1/4" DELRIN	2

**SUB-ASSEMBLY BILL OF MATERIAL**

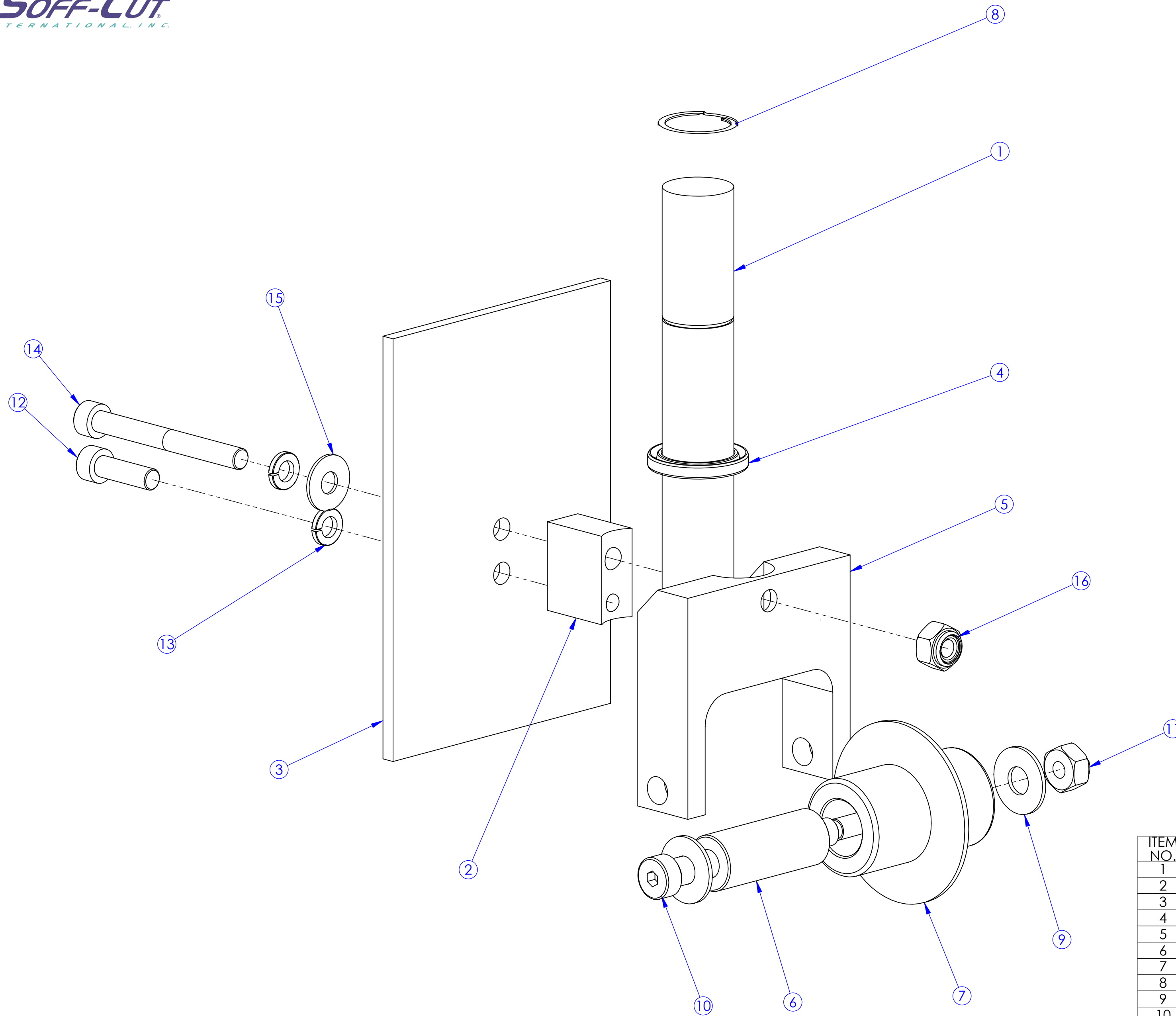
SOFF-CUT INT'L, INC. CLAIMS PROPRIETARY RIGHTS TO THE MATERIAL DISCLOSED IN THIS DOCUMENT. THIS DOCUMENT IS PROVIDED IN CONFIDENCE AND MAY NOT BE REPRODUCED OR DISCLOSED WITHOUT WRITTEN PERMISSION FROM SOFF-CUT INT'L. © COPYRIGHT 2005, SOFF-CUT INT'L, INC. ALL RIGHTS RESERVED.



ITEM NO.	PART NUMBER	DESCRIPTION	QTY.
1	505590301	SHAFT, BB, FRONT X150D	1
2	505589701	SPACER, DIVERTER X150D	1
3	505590001	DIVERTER, FRONT	1
4	505593801	DUST SEAL, 5/8" SHAFT	1
5	505589601	BLOCK, GW MOUNT	1
6	505593701	1/4 ID X 1/2 OD X 1 1/4 BUSHING	1
7	505590201	GUIDE WHEEL, 1/8" PILOT	1
8	505730201	FHS, 10-24 x 5/8 S.S.	1
9	505725501	WASHER, 1/4" FLAT SAE ZINC	1
10	505634401	WASHER, 1/4" DELRIN	2
11	505771201	SHSB, 1/4 X 2	1
12	505630401	NUT, NYLOC, #10-24 CAD	1
13	505591801	SHSC 10-32 X 1 3/4 S.S.	1
14	505633101	WASHER, SPLIT #10 S.S.	2
15	505725301	WASHER, #10 FLAT	1
16	505822201	NUT, NYLOC, #10-32 S.S.	1
17	505729701	SHCS 10-32 X 5/8 S.S.	1

**SUB-ASSEMBLY BILL OF MATERIAL**

SOFF-CUT INT'L, INC. CLAIMS PROPRIETARY RIGHTS TO THE MATERIAL DISCLOSED IN THIS DOCUMENT. THIS DOCUMENT IS PROVIDED IN CONFIDENCE AND MAY NOT BE REPRODUCED OR DISCLOSED WITHOUT WRITTEN PERMISSION FROM SOFF-CUT INT'L. © COPYRIGHT 2007, SOFF-CUT INT'L, INC. ALL RIGHTS RESERVED.

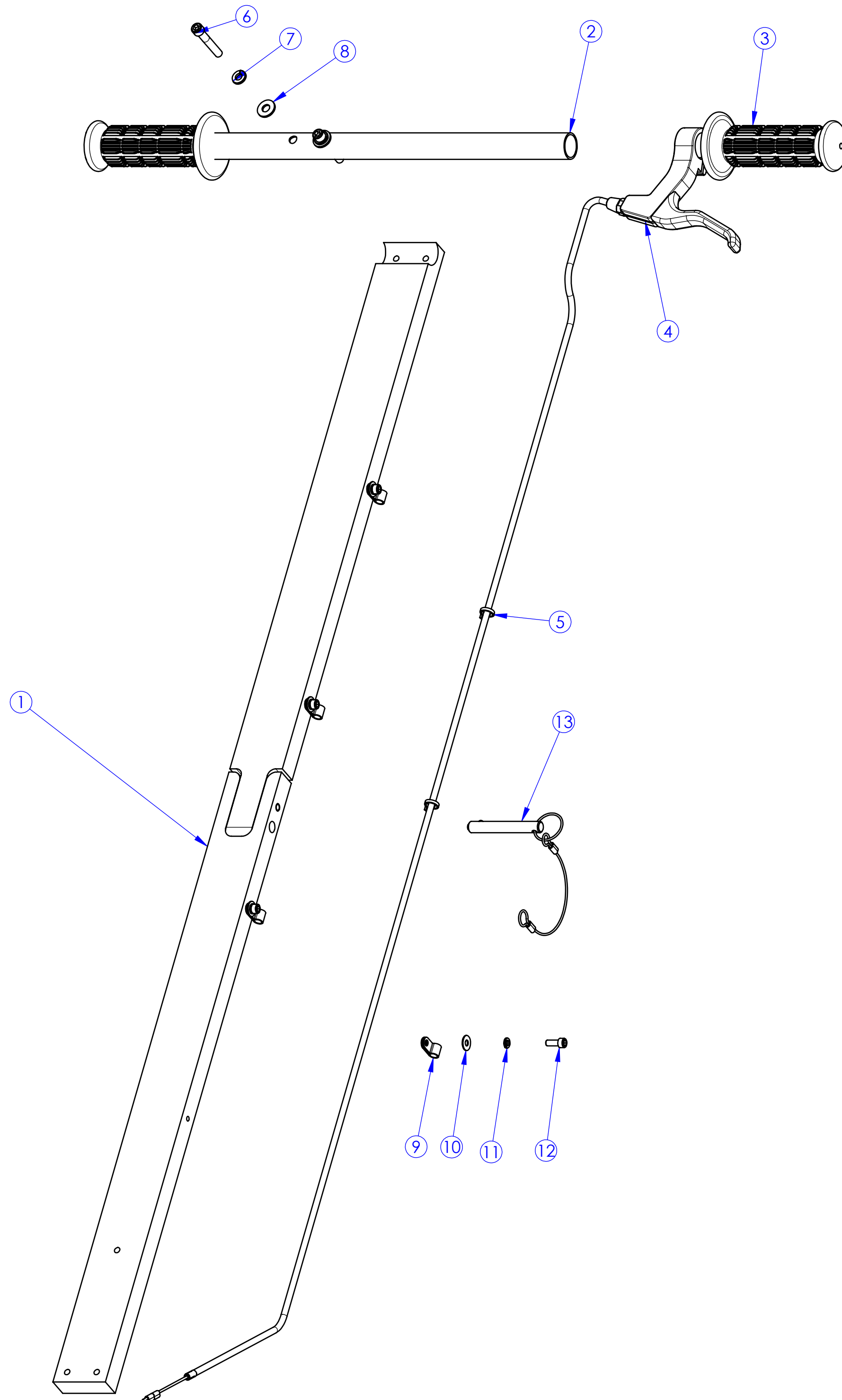


ITEM NO.	PART NUMBER	DESCRIPTION	QTY.
1	505590401	SHAFT, BB REAR X150D	1
2	505589701	SPACER, DIVERTER X150D	1
3	505590001	DIVERTER, FRONT	1
4	505593801	DUST SEAL, 5/8" SHAFT	1
5	505589601	BLOCK, GW MOUNT	1
6	505593701	1/4 ID X 1/2 OD X 1 1/4 BUSHING	1
7	505590201	GUIDE WHEEL, 1/8" PILOT	1
8	505592401	SNAP RING, SPIRAL .625"	1
9	505634401	WASHER, 1/4" DELRIN	2
10	505771201	SHSB, 1/4 X 2	1
11	505630401	NUT, NYLOC, #10-24 CAD	1
12	505729701	SHCS 10-32 X 5/8 S.S.	1
13	505633101	WASHER, SPLIT #10 S.S.	2
14	505591801	SHSC 10-32 X 1 3/4 S.S.	1
15	505725301	WASHER, #10 FLAT	1
16	505822201	NUT, NYLOC, #10-32 S.S.	1

**SUB-ASSEMBLY BILL OF MATERIAL**

SOFF-CUT INT'L, INC. CLAIMS PROPRIETARY RIGHTS TO THE MATERIAL DISCLOSED IN THIS DOCUMENT. THIS DOCUMENT IS PROVIDED IN CONFIDENCE AND MAY NOT BE REPRODUCED OR DISCLOSED WITHOUT WRITTEN PERMISSION FROM SOFF-CUT INT'L. © COPYRIGHT 2007, SOFF-CUT INT'L, INC. ALL RIGHTS RESERVED.

**510272011**



ITEM NO.	PART NUMBER	DESCRIPTION	510272011/QTY.
1	505875801	HANDLE ASSEMBLY	1
2	505588301	HANDLE BAR	1
3	505601101	HANDLE BAR GRIP	2
4	505482701	KIT, BLADE RELEASE, X150/X150D	1
5	510331701	TIE WRAP, 8" BLACK	2
6	505728801	SHCS 1/4-20 X 1 1/2 S.S.	2
7	505632801	WASHER, SPLIT 1/4" S.S.	2
8	505632001	WASHER, 1/4" FLAT S.S.	2
9	505639701	1/4" CABLE CLAMP	4
10	505725301	WASHER, #10 FLAT	4
11	505633101	WASHER, SPLIT #10 S.S.	4
12	505729601	SHCS 10-32 X 1/2 S.S.	4
13	574719801	KIT, LOCK PIN W/ LANYARD	1

**SUB-ASSEMBLY BILL OF MATERIAL**

SOFF-CUT INT'L, INC. CLAIMS PROPRIETARY RIGHTS TO THE MATERIAL DISCLOSED IN THIS DOCUMENT. THIS DOCUMENT IS PROVIDED IN CONFIDENCE AND MAY NOT BE REPRODUCED OR DISCLOSED WITHOUT WRITTEN PERMISSION FROM SOFF-CUT INT'L. © COPYRIGHT 2007, SOFF-CUT INT'L, INC. ALL RIGHTS RESERVED.