

WS 440 HF

Reservdelar

Spare parts

Ersatzteile

Pieces de rechange

Piezas de repuesto

Ricambi

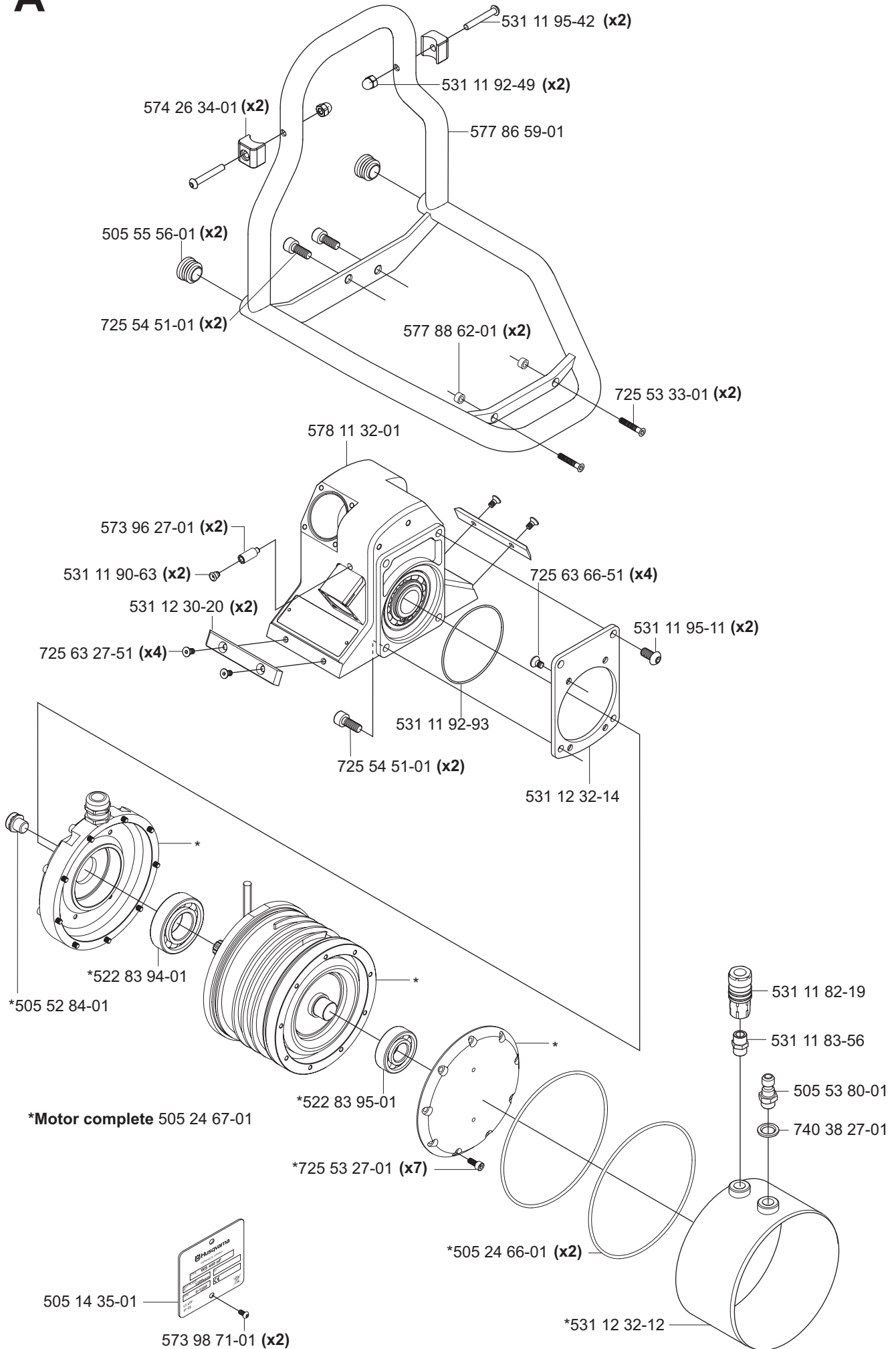
Peças sobresselente

No.	Pos.	Description	No.	Pos.	Description
501 37 29-01	M	Flush guard sect.800 right cpl	505 55 56-01	A	Plastic plug
501 37 30-01	M	Flush guard sect.800 left cpl.	506 06 85-01	E	Screw
501 37 31-01	M	Flushguard sect.1000 right cpl	510 00 71-01	C	Cup spring
501 37 32-01	M	Flush guard sect.1000 left cpl	510 11 15-01	K	Handle holder
501 37 33-01	M	Flushguard sect.1240 Right cpl	510 19 56-01	P	OIL transmission 150 0,3l.
501 37 34-01	M	Flush guard sect.1240 left Cpl	516 04 33-01	A	Screw K6S 5x6
501 37 52-01	P	Tool kit	522 52 62-01	E	Medial gear
504 00 50-01	M	Blade guard flush D800 Assy	522 52 63-01	E	Medial shaft
504 00 52-01	M	Blade guard flush D1000 Assy	522 52 64-01	E	Interlayer
504 00 53-01	M	Blade guard flush D1240 Assy	522 53 68-01	D	Plug
504 10 02-01	J	Scale, angle	522 71 01-01	B	Grommet
505 09 94-01	E	Cover plate	522 72 01-01	E	Gasket
505 11 30-01	K	Excentric	522 73 40-01	L	Outer side 800mm LEFT compl
505 11 31-01	K	Handle bracket	522 73 41-01	L	Outer side 800mm RIGHT compl
505 11 33-01	K	Beam	522 73 43-01	L	Centre section 800mm compl
505 11 34-01	K	Snap locking	522 73 44-01	L	Outer side 1000mm LEFT compl
505 11 35-01	K	Hook	522 73 45-01	L	Outer side 1000mm RIGHT cpl
505 11 38-01	K	Handle	522 73 47-01	L	Centre section 1000mm compl
505 11 39-01	K	Shaft seat	522 73 48-01	L	Outer side 1240mm LEFT compl
505 11 40-01	K	Spring	522 73 49-01	L	Outer side 1240mm RIGHT cpl
505 11 40-01	K	Spring	522 73 51-01	L	Centre section 1240mm compl
505 11 53-01	Q	Hose	522 83 94-01	A	Bearing
505 11 58-01	C	Motor assy Track feeding	522 83 95-01	A	Bearing
505 11 59-01	C	Motor assy Arm feeding	522 93 08-01	BR	Contact pin 0,75mm ²
505 11 65-01	E	Pivoting arm ASSY	525 45 52-01	P	Allen key set
505 11 99-01	L	Tube	529 28 14-01	E	Bearing cage
505 12 00-01	L	Bracket	529 27 88-01	L	Knob
505 12 02-01	L	Cone	529 28 11-01	E	Lid
505 12 03-01	L	Cone	529 28 12-01	E	Cover plate
505 12 04-01	L	Shaft	529 28 17-01	E	Cover
505 12 05-01	L	Locking plate	529 28 20-01	E	Stub gear
505 12 06-01	L	Locking plate	531 11 30-45	H	Track section 1,2 m
505 12 07-01	L	Locking stop	531 11 30-46	H	Track section 2,0 m
505 12 08-01	L	Locking stop	531 11 30-47	H	Track section 2,2 m
505 12 09-01	L	Cone	531 11 32-00	J	Mounting bracket universal Cpl
505 12 10-01	L	Washer	531 11 32-46	H	Mounting bracket WS 400
505 12 59-01	G	Rocker lever	531 11 32-47	H	Coupling link compl.
505 12 60-01	G	Spring	531 11 32-48	H	Track holder compl.
505 14 35-01	A	Type plate	531 11 32-58	G	Guide wheel conc., compl.
505 15 29-01	L	Blade guard D800mm Assy	531 11 32-59	G	Guide wheel exc., compl.
505 15 30-01	L	Blade guard D1000mm Assy	531 11 32-65	J	Measure rod compl.WS 400 serie
505 15 31-01	L	Blade guard D1240mm Assy	531 11 32-68	Q	Cleaning brush with hose
505 18 64-01	K	Paralell pin	531 11 32-71	D	Clutch trackfeeding complete
505 18 65-01	K	Screw	531 11 73-20	BR	Contact pin 2,5mm ²
505 18 66-01	K	Stop screw	531 11 81-13	E	Magnetic plug
505 18 74-01	K	Blade guard guide	531 11 82-18	FQ	Quick coupling, male 13411 M
505 21 63-01	F	Radial seal 60x72x4	531 11 82-19	AQ	Quick coupling, female 1300 UV
505 21 82-01	Q	Hose 1m	531 11 83-05	Q	Banjo screw
505 21 83-01	Q	Hose 8m	531 11 83-18	Q	Waterhose black 1/2
505 21 84-01	Q	Hose	531 11 83-25	Q	Hose nipple 1312
505 22 69-01	G	Carriage WS 400	531 11 83-56	A	Adaptor 1/4"-1/4"
505 24 66-01	A	O-ring	531 11 90-15	Q	Hose clamp 15-24
505 24 67-01	A	Motor ASSY	531 11 90-39	D	Bearing washer AS 3552
505 24 70-01	BR	Shackle	531 11 90-42	D	Bearing AXK 3552
505 24 72-01	E	GEAR ASSY	531 11 90-63	A	Grease nipple
505 25 52-01	G	Paralel pin 4x32	531 11 90-65	P	Wrench 18 mm
505 25 54-01	C	Gear box depth feed ASSY	531 11 91-08	P	Grease gun
505 25 55-01	C	Gear box track feed ASSY	531 11 91-37	B	Seal strip
505 50 58-01	B	Drain plug	531 11 91-46	CG	Bearing washer
505 52 84-01	A	Ventilating valve	531 11 91-49	CG	Bearing AXK 1024
505 52 89-01	B	Frame	531 11 91-50	C	Bearing
505 52 92-01	B	Contact housing	531 11 91-52	H	Rubber plug GL16
505 53 80-01	A	Quick coupling	531 11 91-55	C	Bearing NK 19/16
505 53 81-01	B	Console 3-pin	531 11 91-58	C	Shim 23.35x1
505 53 86-01	C	Motor	531 11 91-64	LM	Blind rivet 4x10 st/st
505 53 88-01	C	Motor cover	531 11 91-65	LM	Blind rivet 4x12 st/st
505 53 89-01	E	Bearing 608-2RSL	531 11 91-81	K	Washer 10.5x22
505 53 90-01	E	Bearing 61905-2RZ	531 11 91-83	EHJ	Washer 13x24x2
505 53 92-01	B	Console 6-pin	531 11 91-85	E	Sealing ring 1/2"
505 53 93-01	B	Console 6-pin	531 11 92-02	FH	Screw M6S 12x25

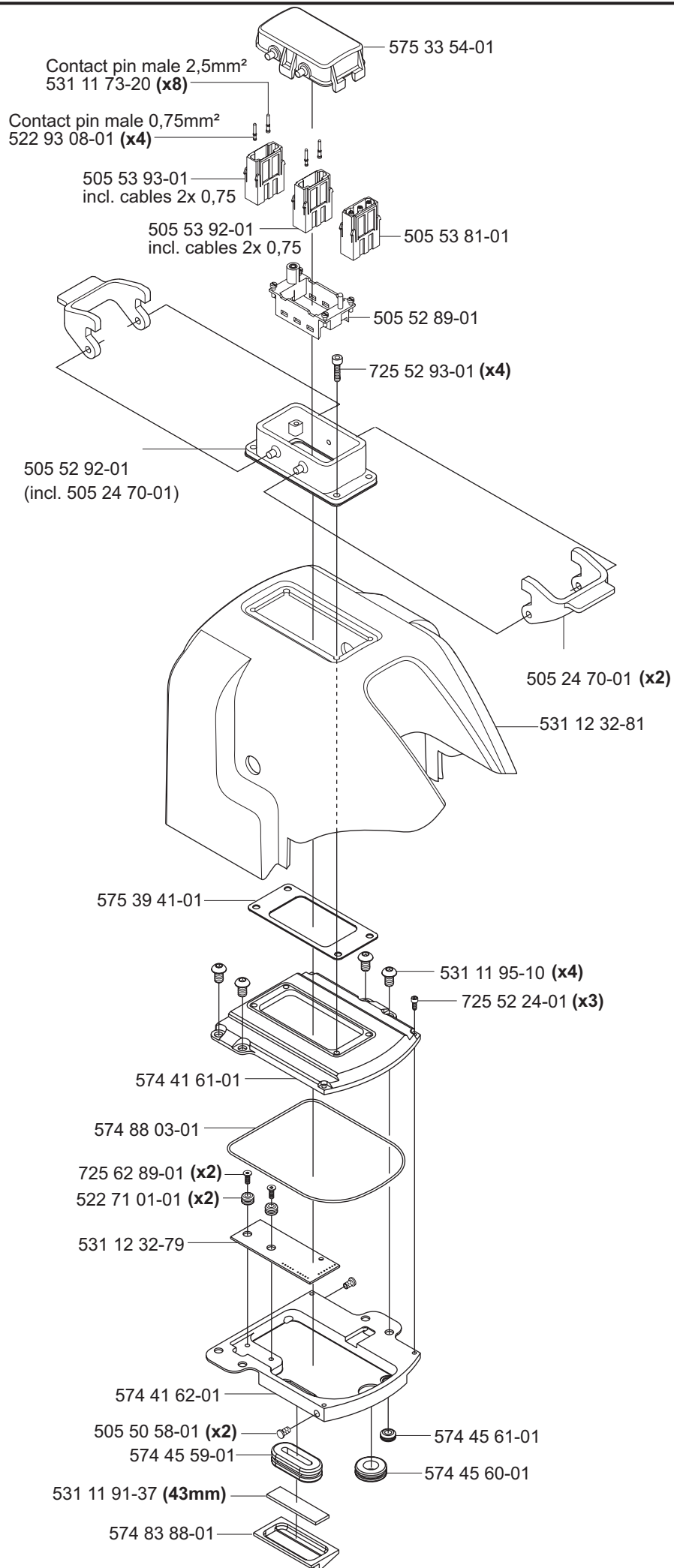
No.	Pos.	Description	No.	Pos.	Description
531 11 92-03	HJ	Screw M6S 12x30	531 12 23-38	K	Spacer
531 11 92-18	M	Screw M6S 8x25	531 12 23-45	L	Splash guard compl.
531 11 92-28	C	Screw MC6S 5x14	531 12 23-49	L	Splash shield
531 11 92-35	H	Screw MC6S 8x14	531 12 23-57	J	Friction plate
531 11 91-49	A	Nut M6 cap	531 12 23-58	K	Guide wheel shaft, lower
531 11 92-60	L	Washer 5x19x1	531 12 23-85	N	Bar to bladeguard
531 11 92-74	E	O-ring 29,2x3	531 12 23-88	N	Cramp
531 11 92-77	C	O-ring 31,4x1,6	531 12 23-90	N	Guide Plate
531 11 92-82	C	O-ring 44,17x1,78	531 12 24-54	J	Mounting bracket
531 11 92-93	A	O-ring 80x1,6	531 12 24-55	J	Shaft
531 11 93-02	C	Key 4x4x16	531 12 24-56	J	Link to spring-holder
531 11 93-26	N	Washer	531 12 24-57	J	Track-holder
531 11 93-50	H	Screw MF6S 4x12 12.9	531 12 24-58	J	Clamping-plate
531 11 93-53	M	Screw MLC6S 6x12	531 12 24-59	J	Clamping-plate, nut
531 11 93-60	E	O-ring 133,0x1,78	531 12 24-60	J	Brake plate
531 11 93-64	EJ	Spring 2547	531 12 30-01	G	Saw carriage
531 11 93-75	D	X-Ring 114,0x1,78	531 12 30-02	G	Socket
531 11 93-76	D	O-Ring 94,97x1,78	531 12 30-03	G	Holder right
531 11 93-89	G	Screw MLC6S 5x10	531 12 30-04	G	Holder left
531 11 94-13	LM	Handle Bladeguard	531 12 30-05	G	Concentric shaft
531 11 94-20	J	O-ring 40x2	531 12 30-06	G	Excentric shaft
531 11 94-26	GMN	Screw K6S 6x16 10.9 fzb	531 12 30-08	G	Nut for guidewheels
531 11 94-35	N	Edge list 3,3 Meter	531 12 30-09	G	Handle
531 11 94-39	D	Bearing HK 3520	531 12 30-10	G	Bar
531 11 94-40	D	Bearing washer AS 5070	531 12 30-11	G	Excentric locking shaft
531 11 94-42	G	Bearing 6001-2RSH	531 12 30-12	G	Locking clamp
531 11 94-43	D	Bearing 16007	531 12 30-13	G	Sprint
531 11 94-46	C	Bearing washer AS 1528	531 12 30-15	G	Feeding shaft
531 11 94-51	E	O-ring 74,5x3	531 12 30-16	G	Shaft holder
531 11 94-53	G	Levell	531 12 30-17	G	Transfer gear
531 11 94-54	G	Spring	531 12 30-18	G	Nut for shaft
531 11 94-56	H	Turning knob	531 12 30-20	A	Wear plate
531 11 95-00	D	O-ring 61x1,6	531 12 30-21	D	Feeding gear, arm
531 11 95-04	D	O-ring 71,12x2,62	531 12 30-22	D	Feeding gear, track
531 11 95-10	B	Screw K6S 6x10	531 12 30-23	D	Longitudinal feeding gear
531 11 95-11	A	Screw K6S 8x16 10.9 fzb	531 12 30-24	D	Tensioning nut
531 11 95-17	F	Plug for M8	531 12 30-25	D	Cup spring
531 11 95-26	M	Edge list 3,3 Meter WS 400	531 12 30-26	D	Friction plate
531 11 95-31	P	Water level to toolkit	531 12 30-28	C	Feeding screw
531 11 95-32	P	Ratchet wrench to toolkit	531 12 30-33	F	Flange, outer
531 11 95-33	P	Wrench 16mm to toolkit	531 12 30-35	E	Blade shaft
531 11 95-34	P	Socket 18mm to toolkit	531 12 30-40	D	Clutch plate
531 11 95-41	P	Socket 19mm to toolkit	531 12 30-48	F	60mm bushing
531 11 95-42	A	Screw K6S 6x40 10.9 fzb	531 12 30-51	F	Plate for hub
531 11 95-53	Q	Cleaning brush	531 12 30-55	C	Cover plate
531 11 95-79	C	Screw	531 12 30-57	F	Water connection
531 11 95-86	J	Screw MRX M3x5	531 12 30-59	LM	Rail holder
531 11 95-88	G	Seeger circlip SGA 11	531 12 30-63	LM	Rail
531 11 95-89	K	Screw K6S 6x20 10.9 fzb	531 12 30-65	K	Roller guide
531 11 95-93	F	Plug for M10	531 12 30-66	K	Cover
531 11 96-01	E	Shaft seal 25x35x7	531 12 30-70	K	Handle
531 12 16-11	M	Hand wheel	531 12 30-71	K	Excentric shaft
531 12 20-27	H	Gear rack 2,0m	531 12 30-73	LM	Slide rail
531 12 20-28	H	Gear rack 1,2m	531 12 30-74	P	Pin socket
531 12 20-34	C	Thrust journal	531 12 30-75	H	Track holder
531 12 20-43	H	Guide track section 2,0m	531 12 30-76	H	Clamping plate
531 12 20-44	H	Guide track section 1,2m	531 12 30-86	LM	Rail holder 2
531 12 20-49	E	Sealing plug	531 12 30-87	N	Handle bladeguard 1240mm
531 12 20-70	H	Safety stop	531 12 30-91	N	Handle
531 12 21-18	H	Clamping washer	531 12 30-95	F	Water hose
531 12 21-24	H	Gear rack 2,2 m	531 12 30-96	H	Coupling link
531 12 21-25	H	Guide track section 2,2 m	531 12 30-97	H	Clamping washer
531 12 21-68	N	Guide, outer	531 12 32-12	A	Outer tube
531 12 21-82	K	Guide wheel shaft, upper	531 12 32-14	A	Mounting plate
531 12 21-83	K	Wheel	531 12 32-27	C	Input shaft
531 12 22-43	M	Locking feather Right	531 12 32-34	C	Sun gear 166
531 12 22-44	M	Locking feather left	531 12 32-36	C	Output sun gear 166
531 12 22-45	M	Lock cone	531 12 32-65	E	Input shaft
531 12 22-60	M	Top holder	531 12 32-70	E	Back cover
531 12 22-80	D	Friction plate pivoting arm	531 12 32-79	B	Motor Interface Board

No.	Pos.	Description	No.	Pos.	Description
531 12 32-81	B	Cover	725 62 87-01	E	Screw MF6S 4x8
573 96 27-01	A	Spacer	725 62 89-01	B	Screw MF6S 4x10
574 26 34-01	A	Spacing sleeve	725 63 27-51	AFK	Screw MF6S 5x12 10.9
574 41 61-01	B	Electronic box top	725 63 30-51	KL	Screw MF6S 5x16 10.9
574 41 62-01	B	Electronic box	725 63 66-51	AF	Screw MF6S 6x12 10.9
574 43 13-01	F	Hub	725 63 68-51	EKLM	Screw MF6S 6x16 10.9
574 43 55-01	F	Water block	725 63 70-51	FKN	Screw MF6S 6x20 10.9
574 44 39-01	E	Ring	725 64 47-51	F	Screw MF6S 8x12 10.9 fzb
574 45 20-01	E	Bearing 16013	725 64 89-51	F	Screw MF6S 10x16 10.9
574 45 21-01	E	Bearing 16011	728 72 89-05	D	Stop screw S6SS 4x10
574 45 22-01	E	Radial seal	728 83 27-05	J	Stop screw SK6SS 5x12
574 45 23-01	F	Radial seal 50x62x5	728 83 64-05	G	Stop screw SK6SS 6x10
574 45 24-01	E	O-ring 45x1,6	731 43 20-01	GKN	Nut M10 low
574 45 25-01	F	O-ring 75x2	732 25 14-01	K	Nut M5 Nylock
574 45 26-01	E	O-ring 91,7x1,78	732 25 16-01	N	Nut M6 Nylock
574 45 27-01	F	Bearing	732 25 22-71	EJ	Nut M12 Nylock 10.9
574 45 29-01	E	O-ring 110,7x1,78	734 11 35-71	G	Washer 4.3x8
574 45 30-01	E	O-ring 56,87x2,62	734 11 63-01	EH	Washer 8.4x16
574 45 32-01	E	Lock ring	735 31 28-10	G	Seeger circlip
574 45 59-01	B	Seal	735 31 33-00	D	Seeger circlip SGA 35
574 45 60-01	B	Seal	735 31 33-10	K	Seeger circlip SGH 35
574 45 61-01	B	Seal	738 21 10-04	D	Bearing 6010-2RS1
574 61 87-01	D	Arm shaft	738 22 02-24	K	Bearing 6202-2RS1 C2
574 61 97-01	D	Key 6x6x14	740 38 27-01	AFQ	Sealing ring 1/4
574 82 95-01	F	Blade flange compl.	740 42 07-00	F	O-ring 9,1x1,6
574 82 95-02	F	Blade flange 60mm compl.	740 42 14-00	G	O-ring 16,1x1,6
574 82 95-03	F	Blade flange 130 compl.	740 43 07-00	H	O-ring 9,3x2,4
574 83 88-01	B	Sealing holder	740 43 11-00	E	O-ring 13,3x2,4
574 88 03-01	B	O-ring	740 44 05-00	F	O-ring 22,2x3
575 25 82-01	E	Pivoting arm			
575 33 54-01	B	Cover			
575 39 41-01	B	Gasket			
576 21 49-01	G	Bushing compl.			
576 65 89-01	J	Support screw			
577 53 16-01	F	Stop washer			
577 53 22-01	F	Flange, inner			
577 53 28-01	F	Flange, inner 130			
577 53 29-01	F	Screw MC6S 2,5x5			
577 88 59-01	A	Saw handle WS 440 HF			
577 88 62-01	A	Spacer			
578 11 32-01	A	Housing			
578 30 03-01	C	HAL sensor board			
578 34 43-01	G	Wheel			
720 12 71-50	G	Cylindrical pin 4x18			
720 13 08-50	G	Cylindrical pin 5x16			
720 13 51-50	EG	Cylindrical pin 6x16			
720 13 52-51	H	Cylindrical pin 6x18			
720 13 53-50	J	Cylindrical pin 6x20			
720 13 65-51	J	Cylindrical pin 6x50			
721 42 57-00	N	Spring pin 4x22			
723 51 93-51	C	Screw MFS 2,5x8			
723 53 66-51	F	Screw MFS 6x12			
725 25 43-51	H	Screw M6S 12x55			
725 25 44-91	E	Screw M6S 12x60			
725 25 56-51	J	Screw M6S 12x120			
725 52 20-01	C	Screw MC6S 3x6			
725 52 89-01	E	Screw MC6S 4x10			
725 52 93-01	B	Screw MC6S 4x16			
725 53 27-01	A	Screw MC6S 5x12			
725 53 29-01	E	Screw MC6S M5x16			
725 53 31-01	C	Screw MC6S 5x20			
725 53 33-01	A	Screw MC6S 5x25			
725 53 41-01	K	Screw MC6S 5x50			
725 53 62-01	K	Screw MC6S M6x8			
725 53 64-01	H	Screw MC6S M6x10			
725 53 68-01	GKL	Screw MC6S 6x16			
725 53 70-01	GL	Screw MC6S 6x20			
725 54 51-01	A	Screw MC6S 8x20			
725 54 53-01	G	Screw MC6S 8x25			
725 54 64-01	E	Screw MC6S 8x65			

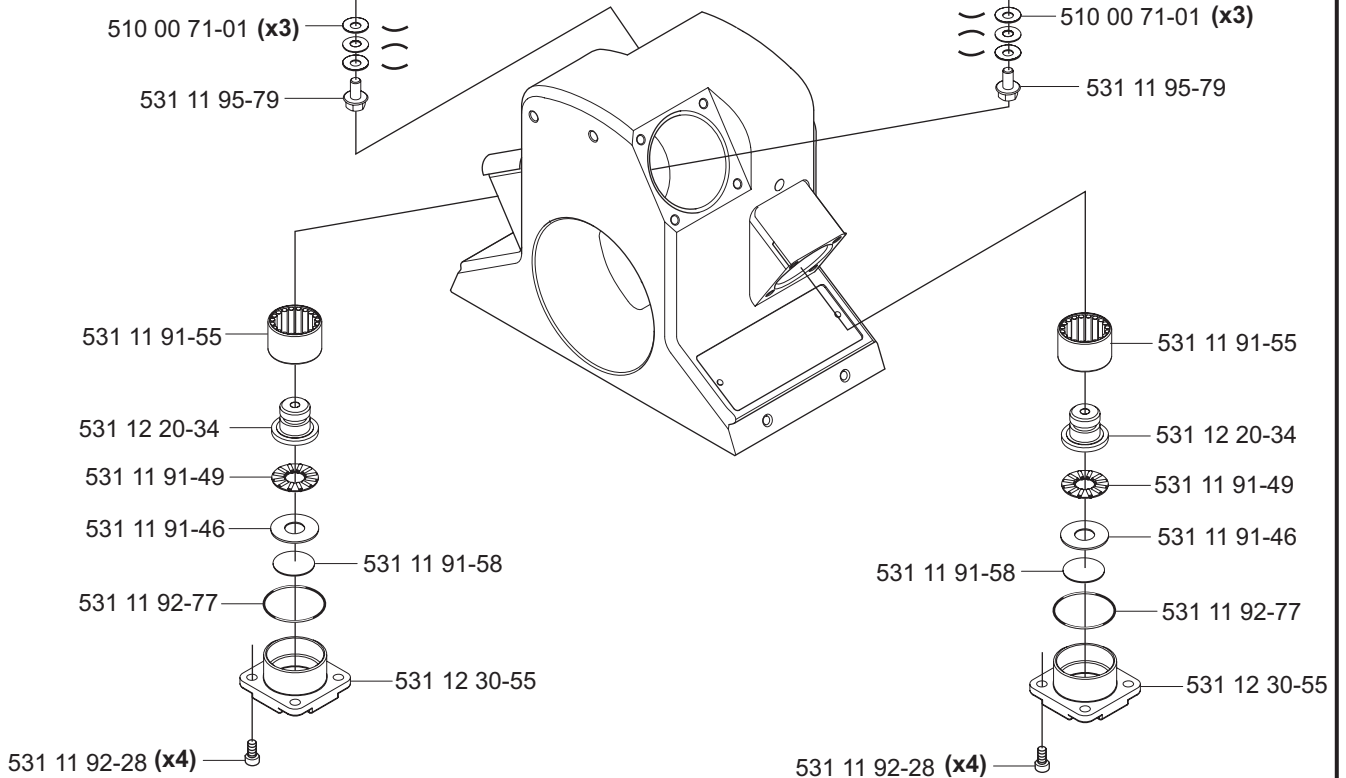
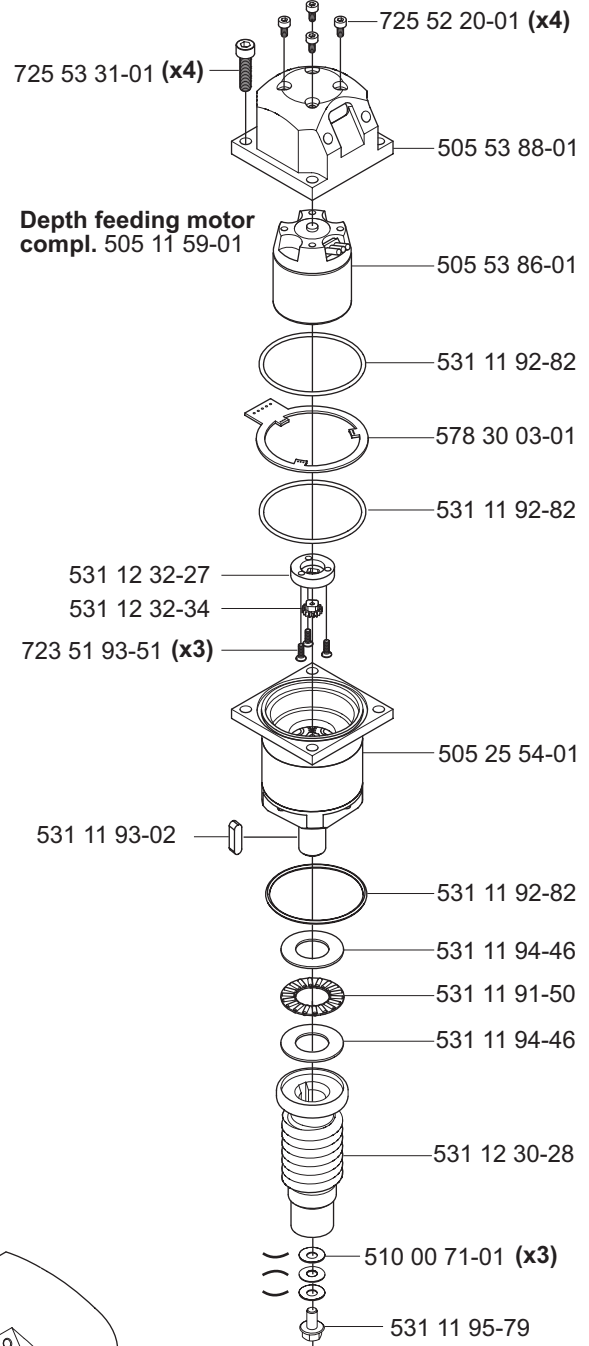
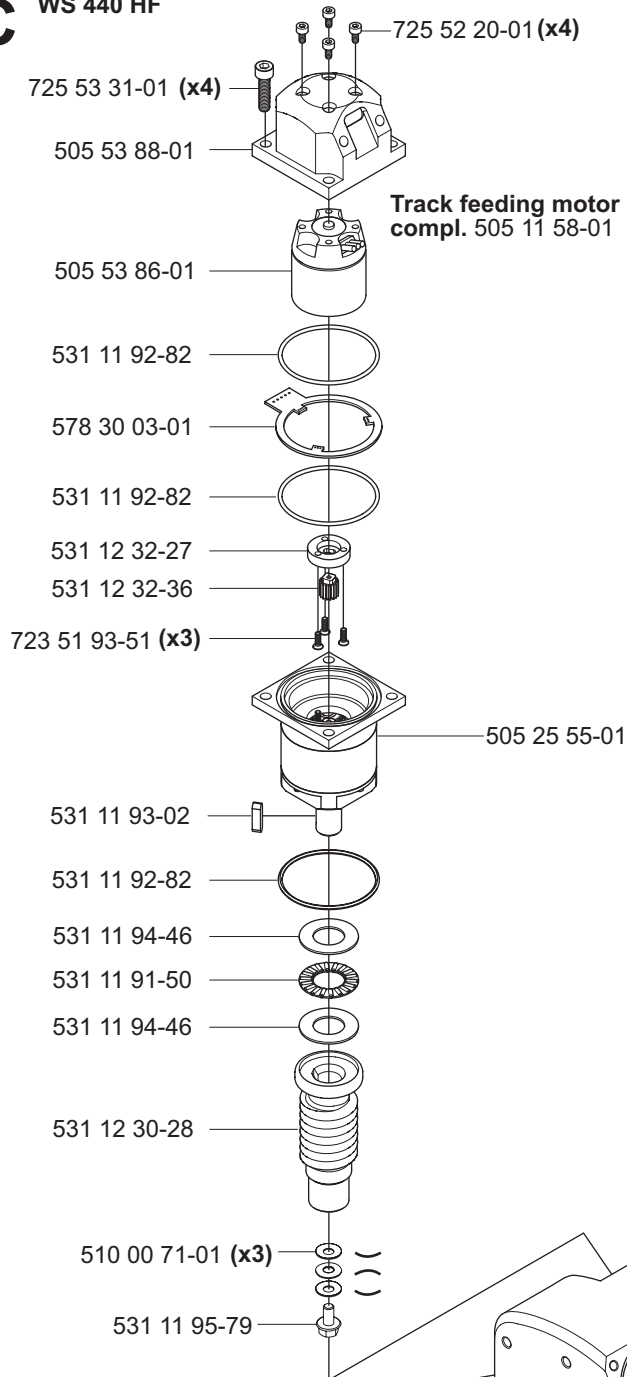
A WS 440 HF



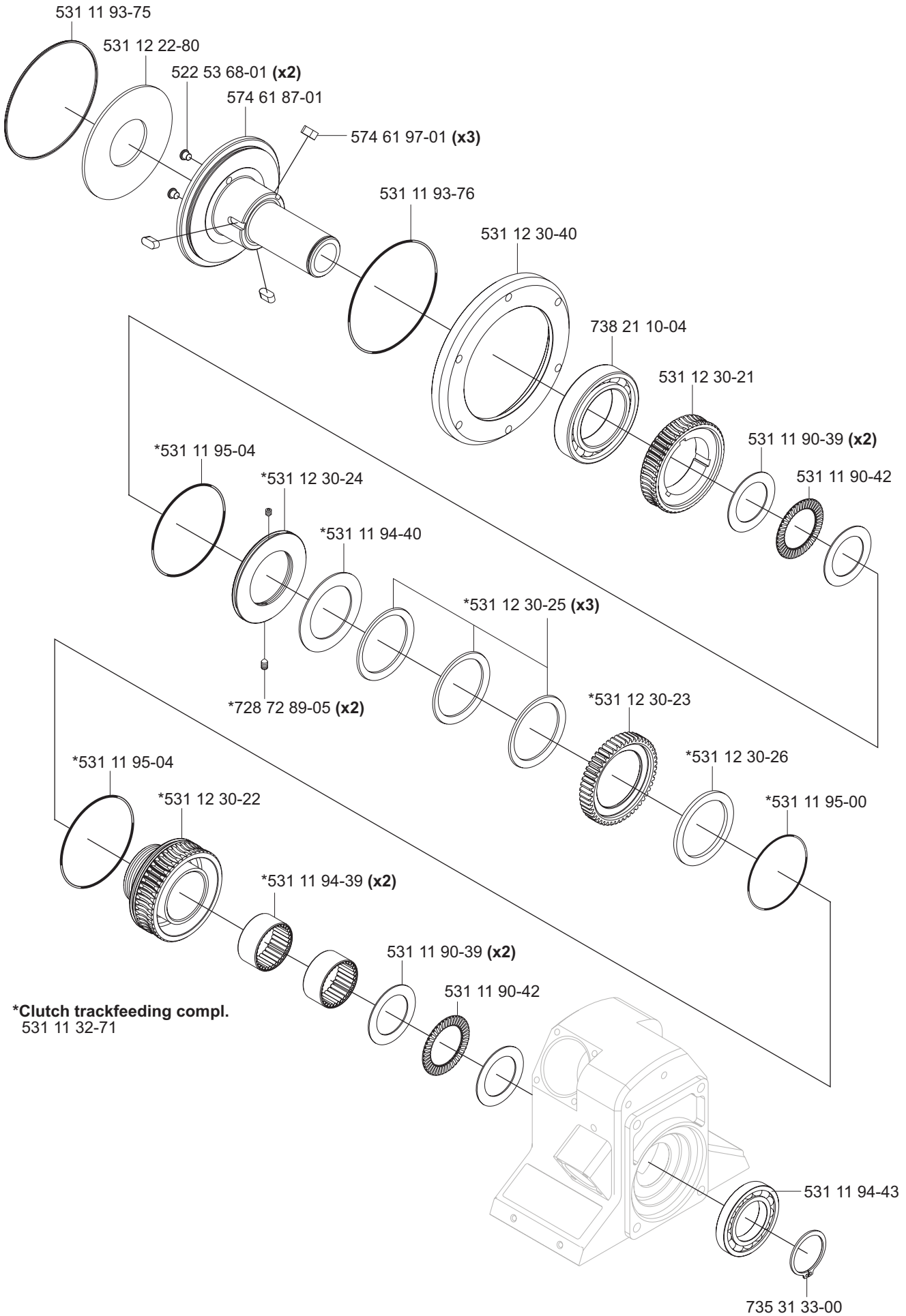
B WS 440 HF



C WS 440 HF

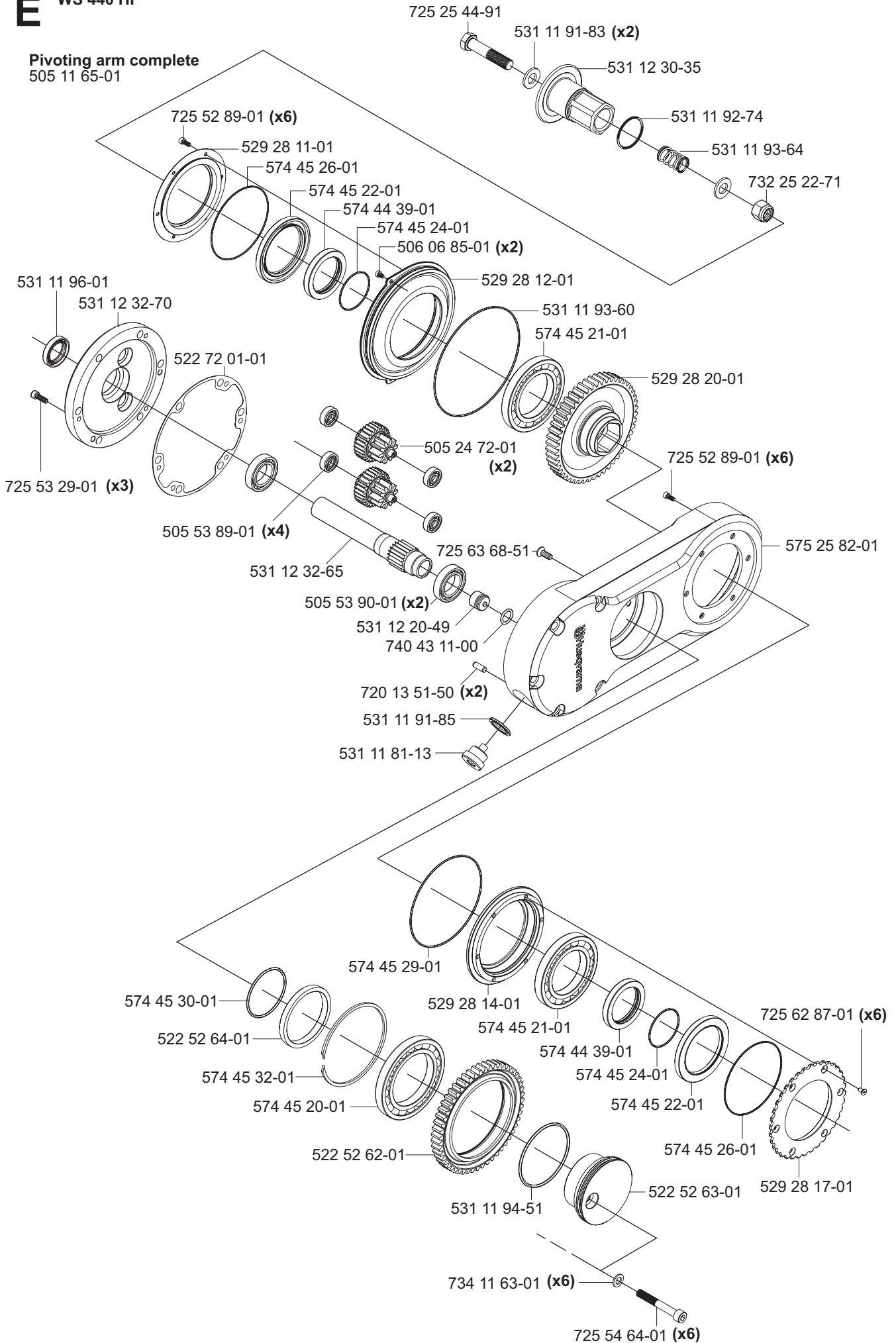


D WS 440 HF



E WS 440 HF

Pivoting arm complete
505 11 65-01



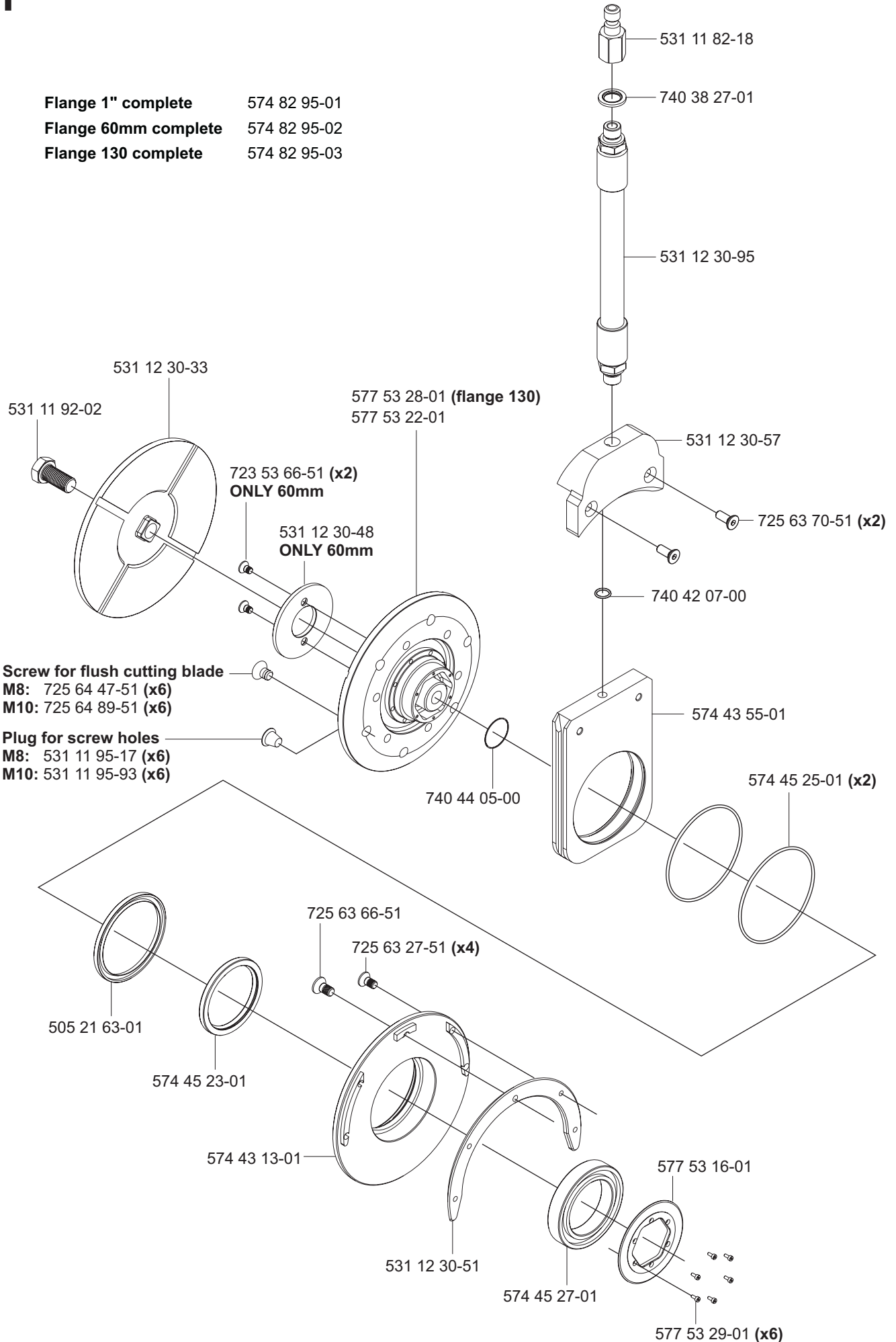
F

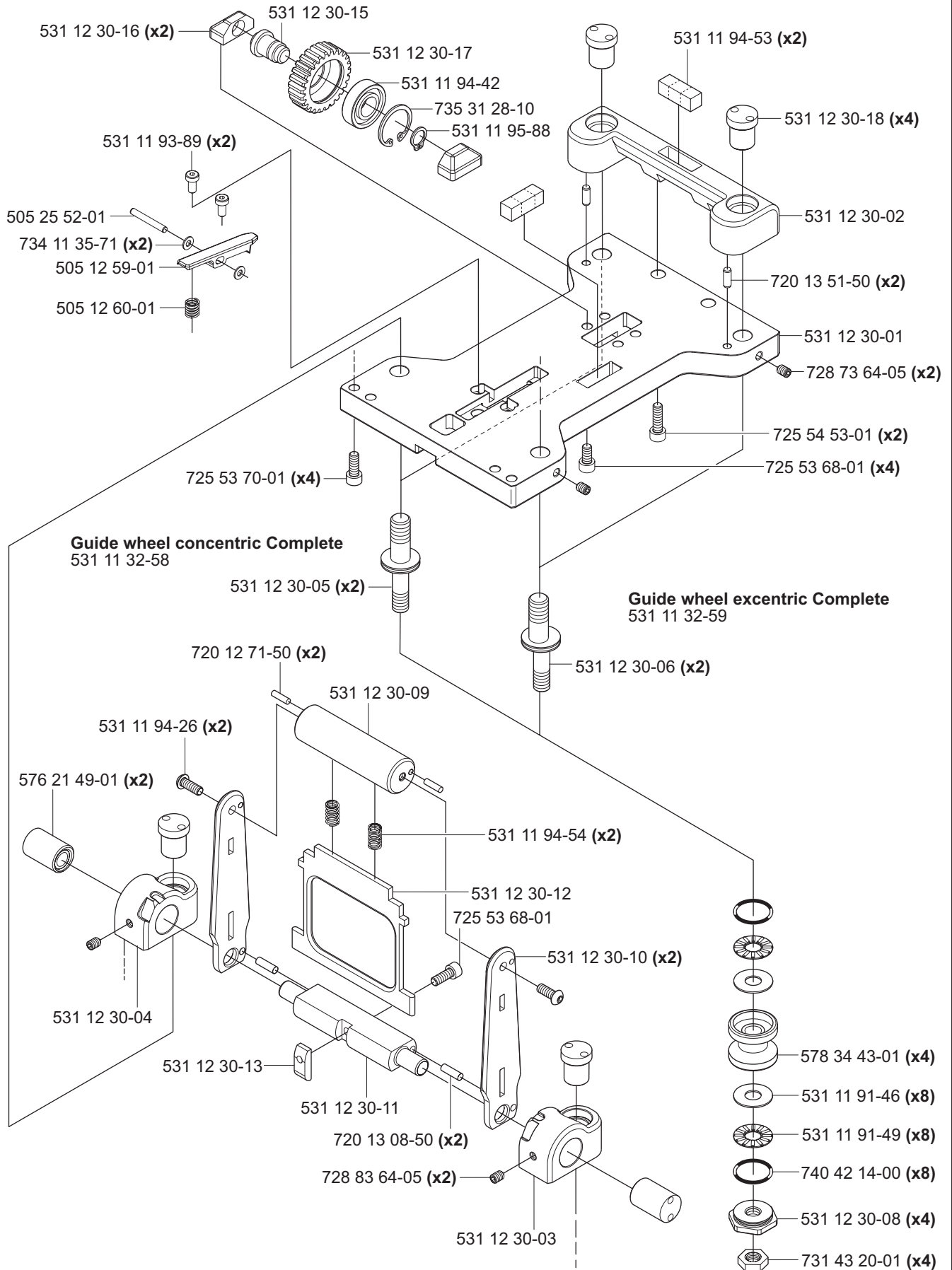
WS 440 HF

Flange 1" complete 574 82 95-01

Flange 60mm complete 574 82 95-02

Flange 130 complete 574 82 95-03



G**WS 440 HF****Saw carriage 400 complete 505 22 69-01**

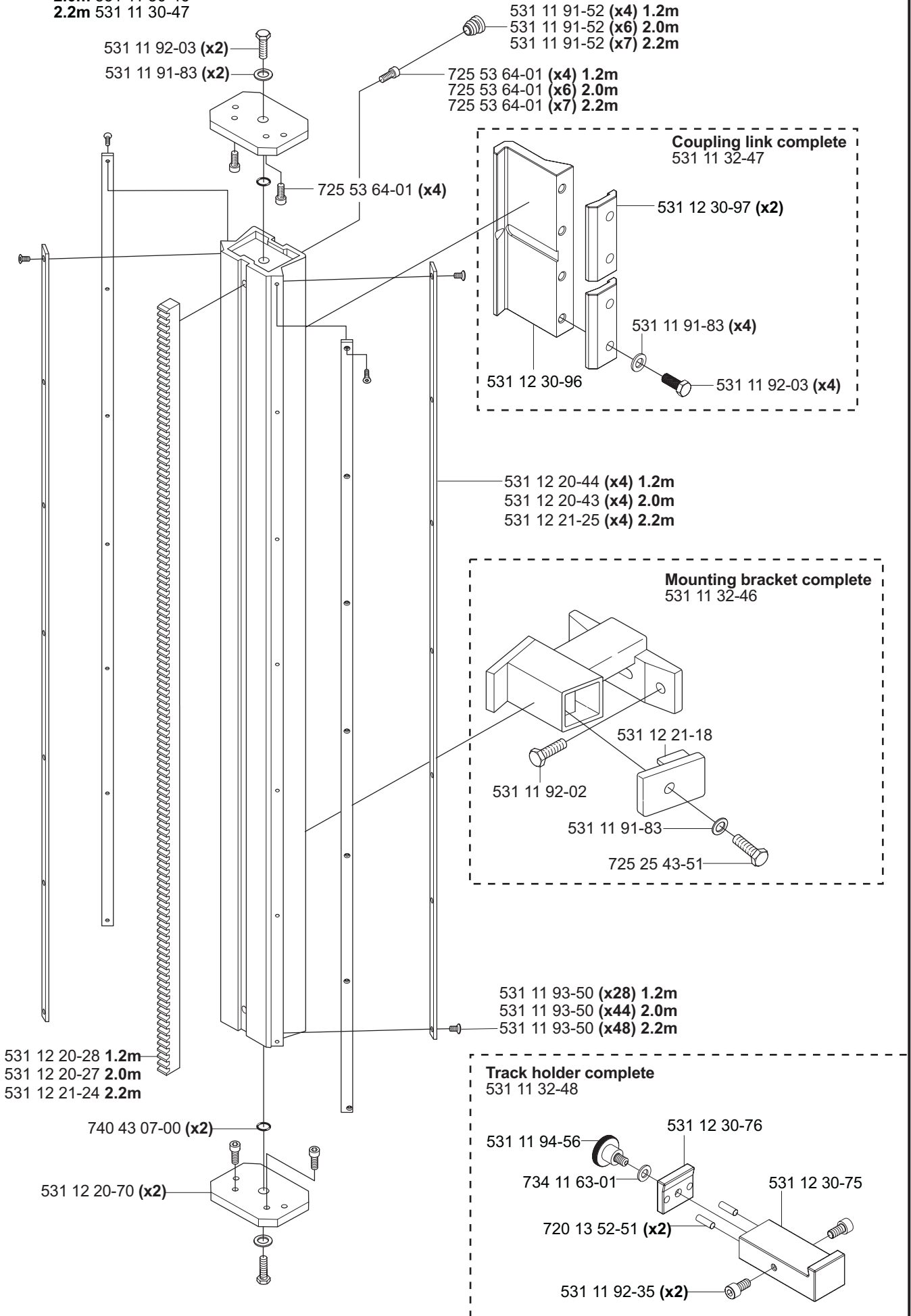
H WS 440 HF

Track 400 complete

1.2m 531 11 30-45

2.0m 531 11 30-46

2.2m 531 11 30-47



Coupling link complete
531 11 32-47

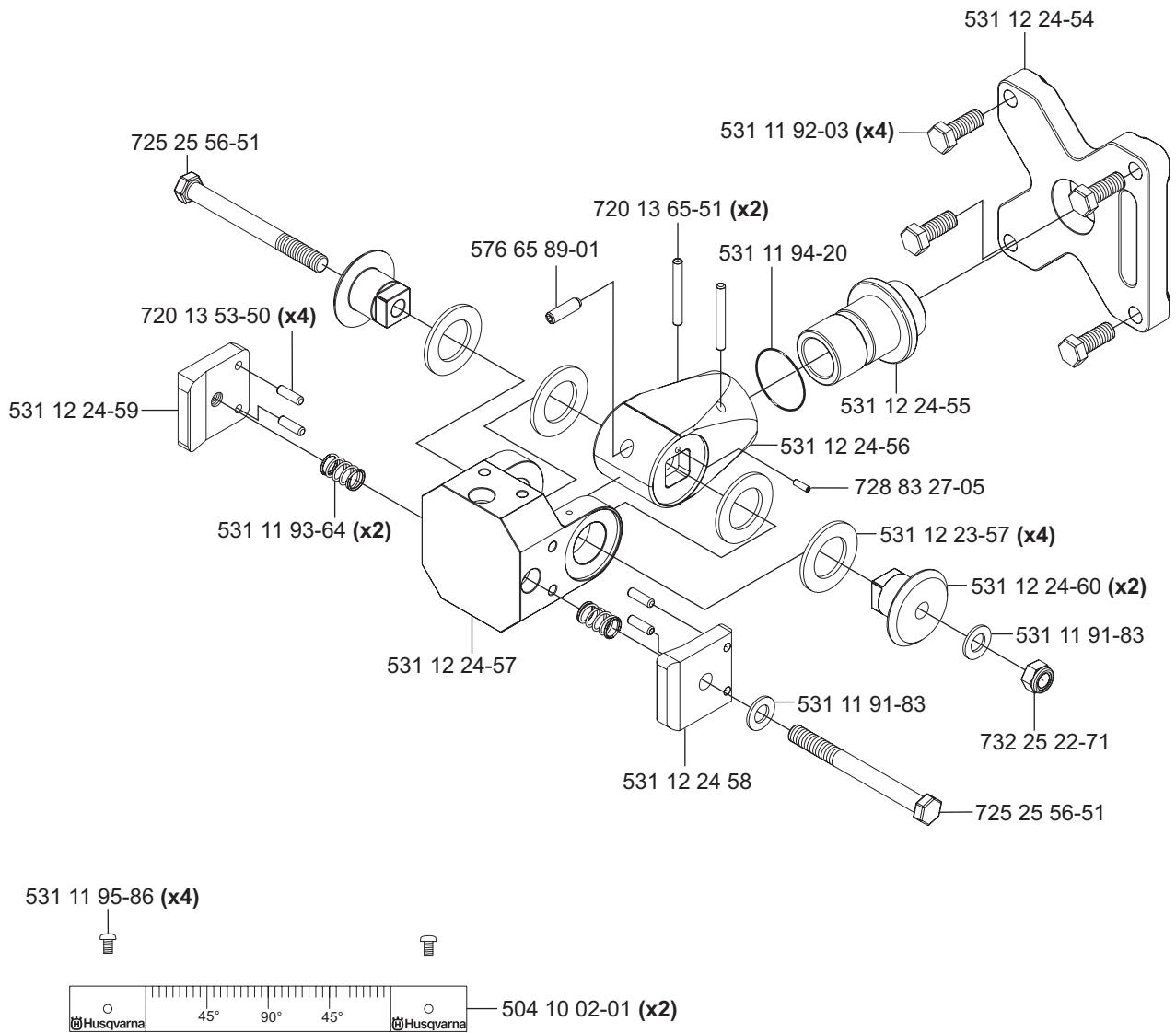
Mounting bracket complete
531 11 32-46

Track holder complete
531 11 32-48

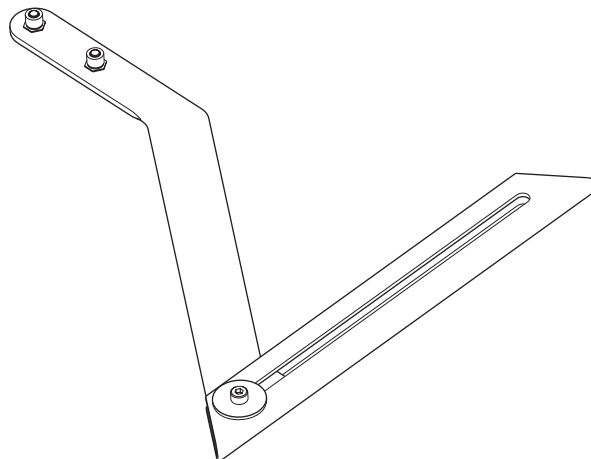
J**WS 440 HF**

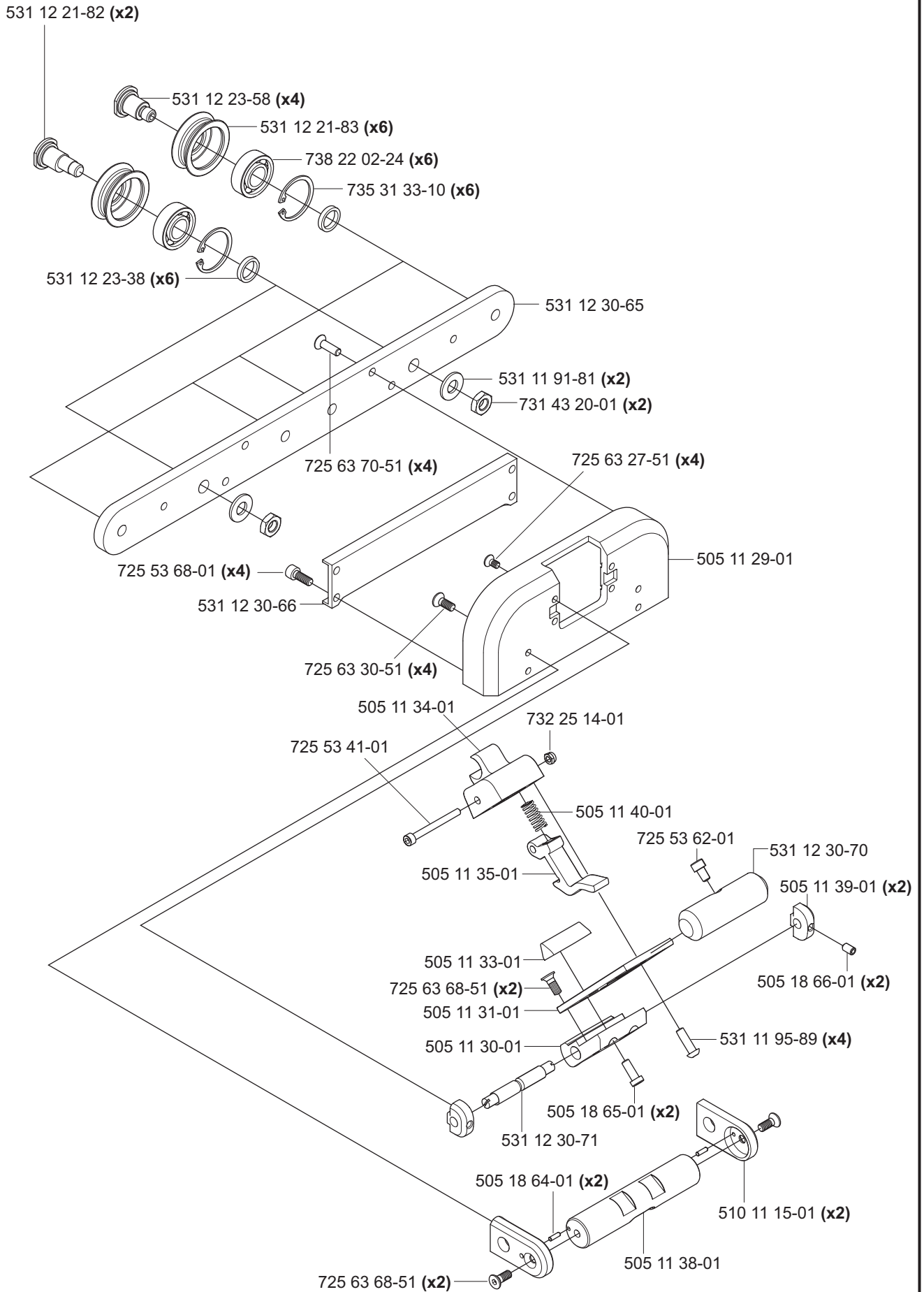
**Tillbehör
Accessories
Zubehöre
Accessoires
Accesorios**

**Mounting bracket Universal
compl. 531 11 32-00**



Measure rod complete 531 11 32-65



K**WS 440 HF****Blade guard guide Complete 505 18 74-01**



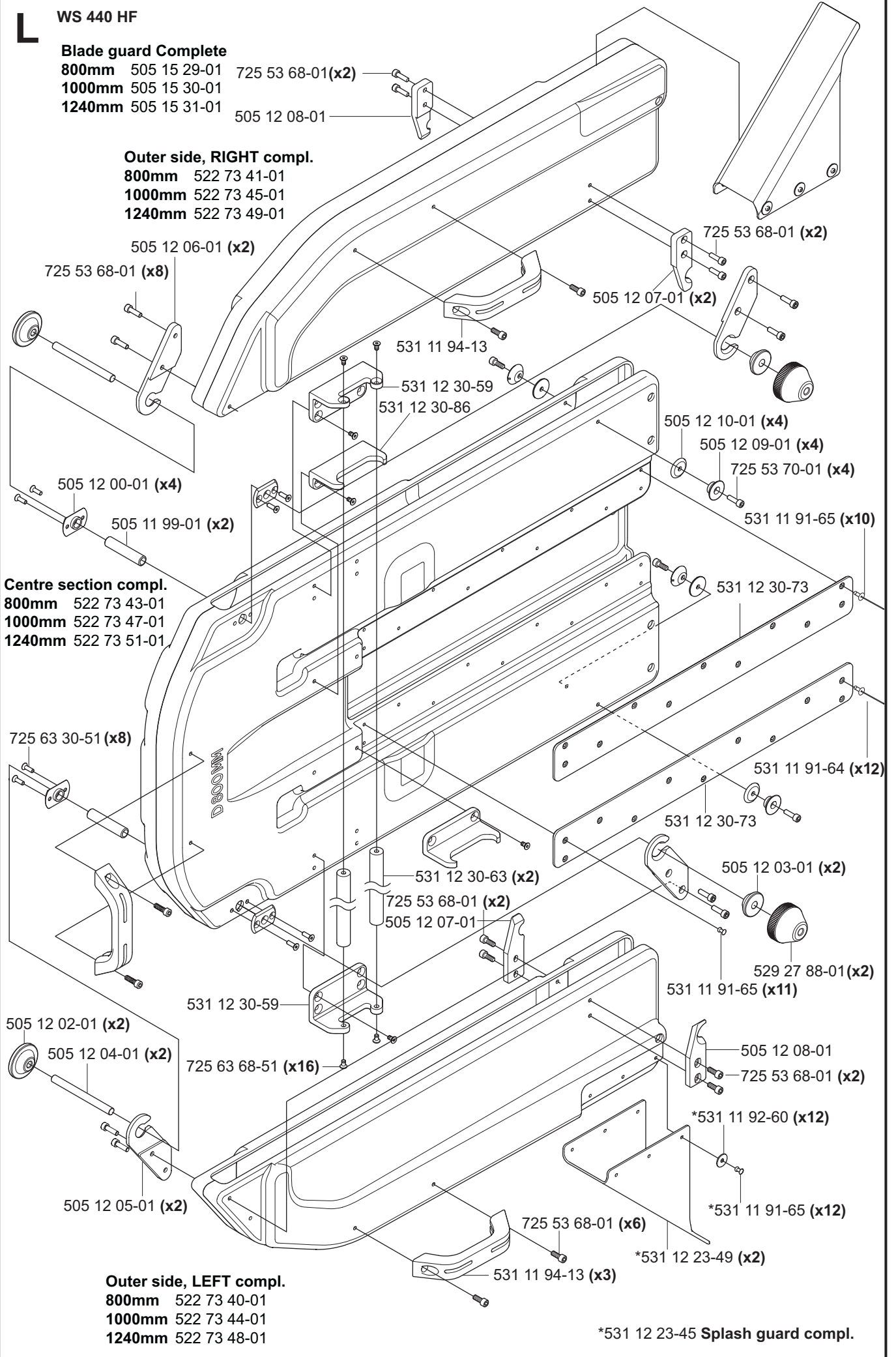
WS 440 HF

Blade guard Complete

- 800mm 505 15 29-01
- 1000mm 505 15 30-01
- 1240mm 505 15 31-01

Outer side, RIGHT compl.

- 800mm 522 73 41-01
- 1000mm 522 73 45-01
- 1240mm 522 73 49-01



Outer side, LEFT compl.

- 800mm 522 73 40-01
- 1000mm 522 73 44-01
- 1240mm 522 73 48-01

*531 12 23-45 Splash guard compl.

M WS 440 HF

Flush blade guard compl.

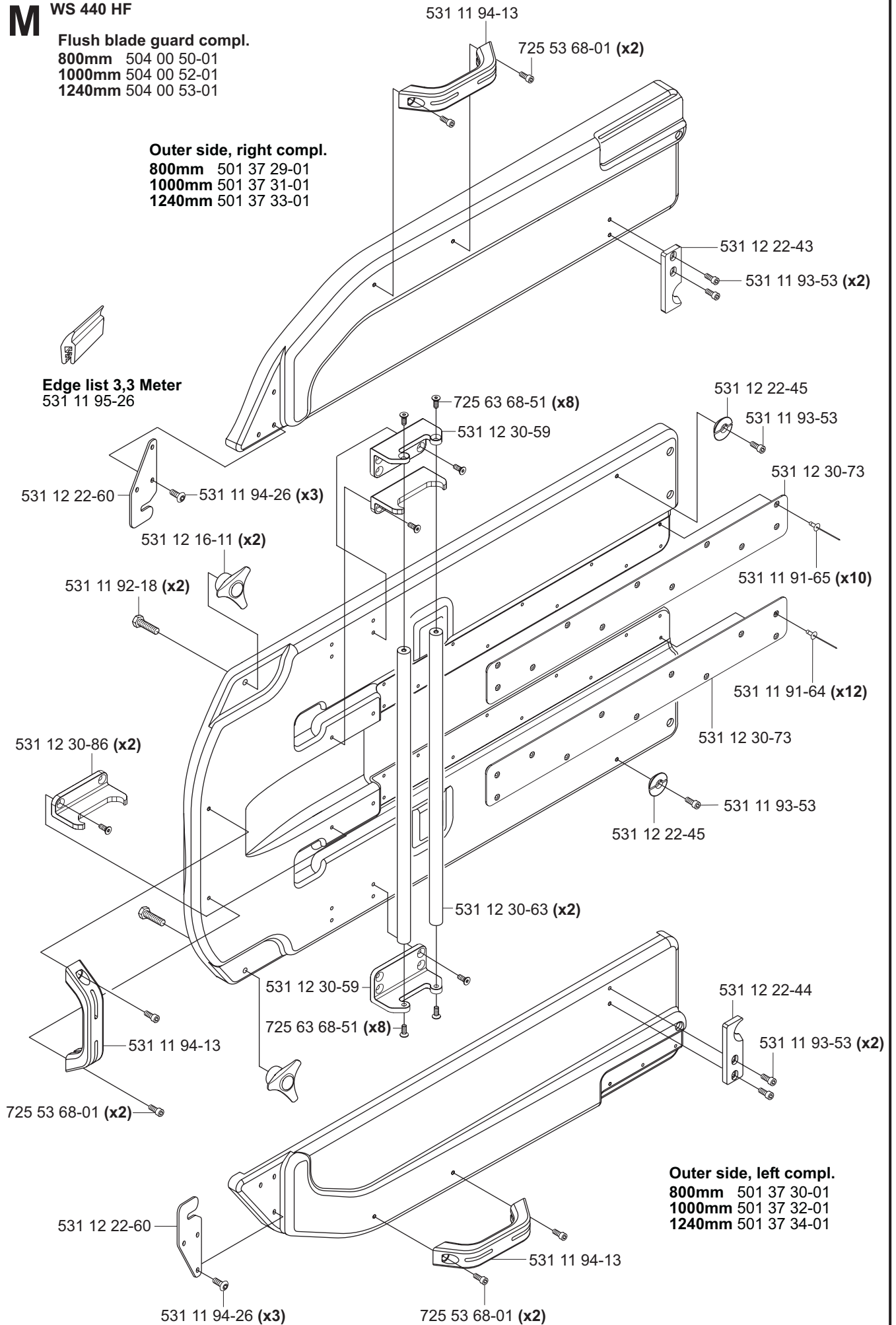
- 800mm 504 00 50-01
- 1000mm 504 00 52-01
- 1240mm 504 00 53-01

Outer side, right compl.

- 800mm 501 37 29-01
- 1000mm 501 37 31-01
- 1240mm 501 37 33-01

Edge list 3,3 Meter

531 11 95-26

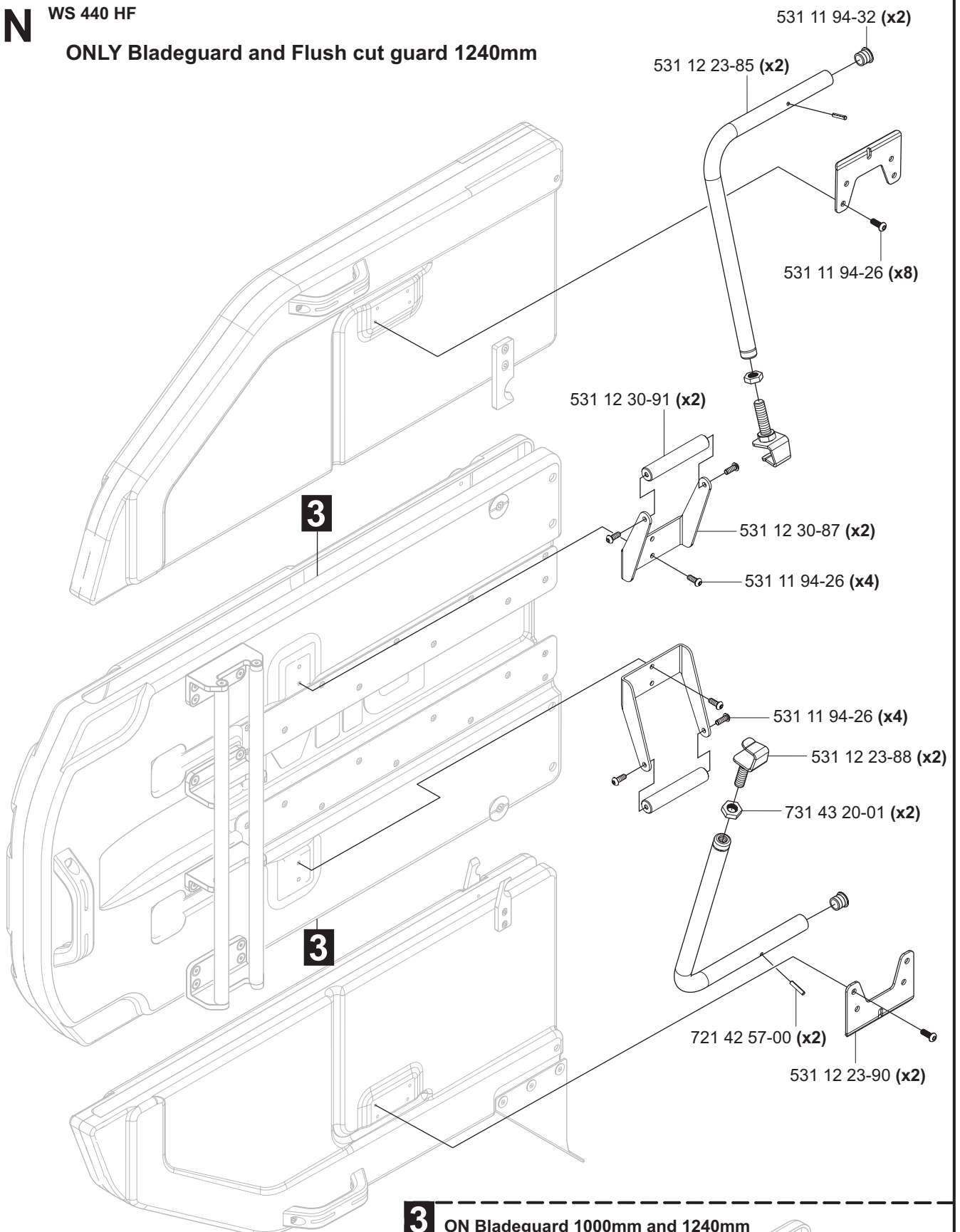


Outer side, left compl.

- 800mm 501 37 30-01
- 1000mm 501 37 32-01
- 1240mm 501 37 34-01

N

WS 440 HF

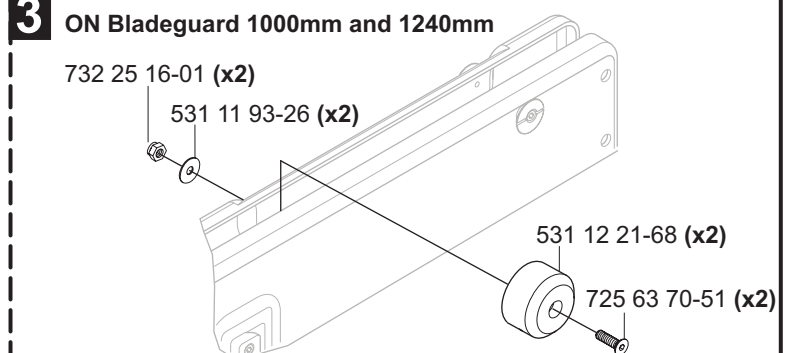
ONLY Bladeguard and Flush cut guard 1240mm**3****ON Bladeguard 1000mm and 1240mm**

732 25 16-01 (x2)

531 11 93-26 (x2)

531 12 21-68 (x2)

725 63 70-51 (x2)

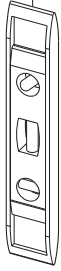


P

WS 440 HF

Toolkit compl 501 37 52-01

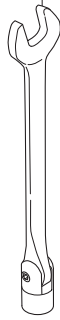
531 11 95-31



531 11 95-32

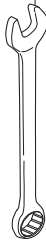


531 11 90-65



18mm

531 11 95-33



16mm

531 11 95-41



19mm

531 11 95-34



18mm

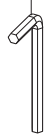
531 12 30-74



525 45 52-01



10mm



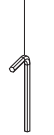
8mm



6mm



5mm



4mm

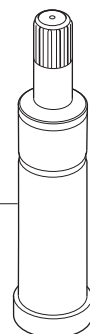


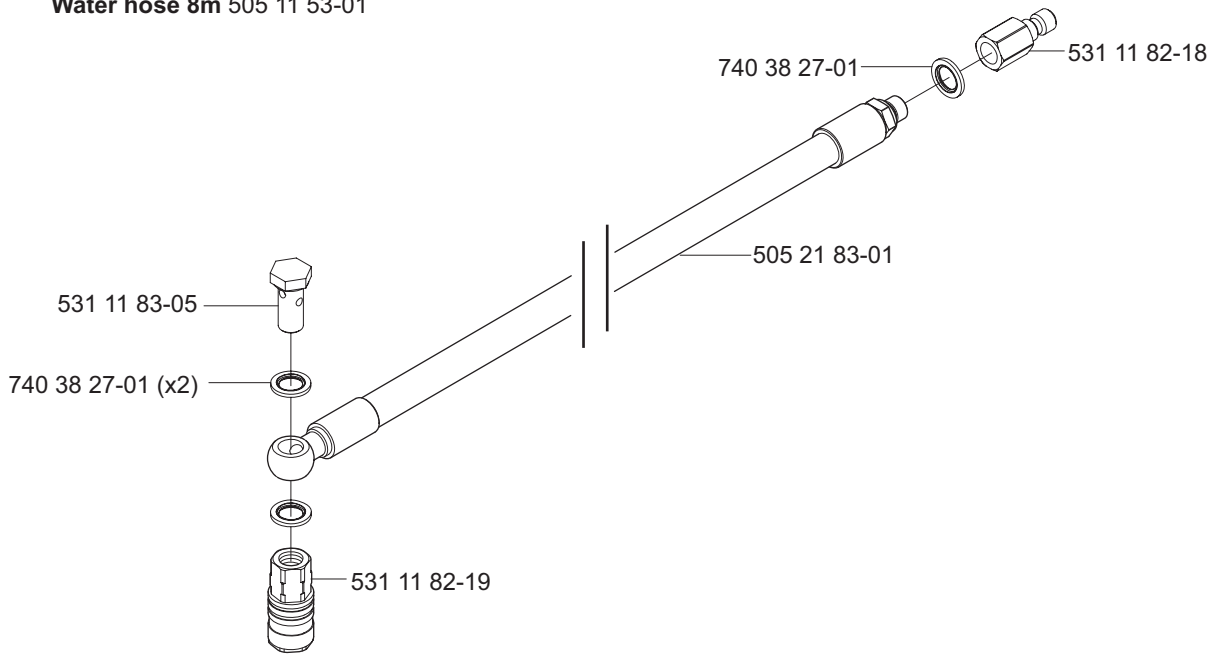
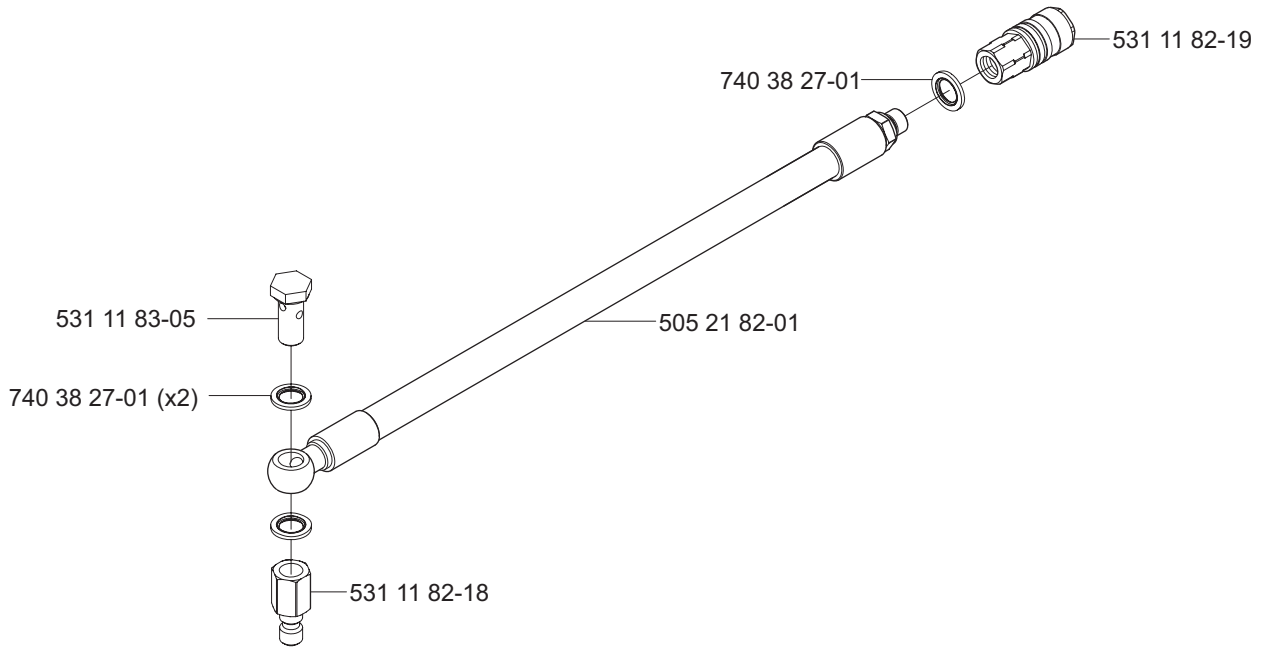
3mm

510 19 56-01



531 11 91-08



Q**WS 440 HF****Water hose 8m 505 11 53-01****Water hose 1m 505 21 84-01****Cleaning brush complete 531 11 32-68**