

K760

Reservdelar

Spare parts

Ersatzteile

Pieces de rechange

Piezas de repuesto

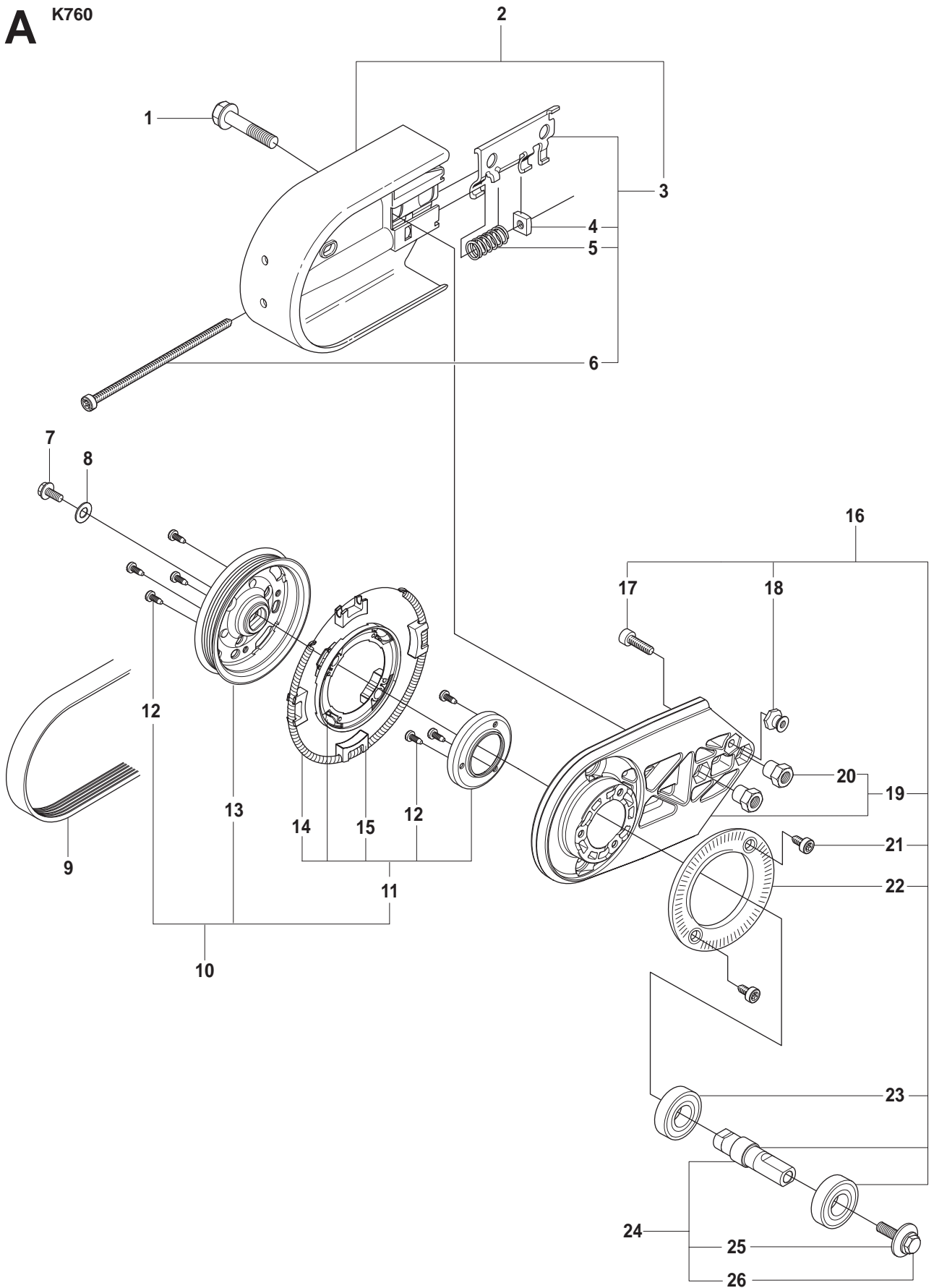
Ricambi

Peças sobresselente

No.	Pos.	Description	No.	Pos.	Description
501 01 88-01	F	HOUSING	505 09 55-01	GN	HOSE KIT
501 01 94-01	F	SWITCH	505 10 35-01	N	O-RING
501 01 95-01	P	SWITCH	505 19 52-01	F	FUEL HOSE
501 27 08-01	C	GUIDE BUSHING	505 25 96-01	D	MUFFLER MOUNTING KIT
501 31 89-01	F	LABEL	505 27 75-16	J	ISOLERHATT
501 37 13-01	F	LID	505 42 45-01	D	VIB.INSULATOR
501 37 56-04	J	FLYWHEEL	505 44 54-03	A	RETARDER CPL
501 48 54-02	J	SPARK PLUG CAP	505 57 41-16	AB	SCREW
501 63 48-01	J	SPRING	506 00 69-01	J	SCREW
501 67 32-03	J	PAWL	506 02 87-01	B	FLANGE WASHER
501 98 10-01	C	SCREW	506 02 88-30	B	BUSHING
501 98 10-20	CHK	SCREW	506 07 09-01	B	FLANGE WASHER
502 23 33-01	FP	KIT BREAK PIN	506 13 95-11	A	WASHER
502 28 70-01	P	KIT SWITCH OFF	506 13 96-01	A	COLLAR SCREW
502 28 92-02	C	DRIVING PULLEY ASSY	506 14 32-01	A	TORSION STOP
502 29 50-02	E	CRANKSHAFT ASSY	506 22 28-02	F	THROTTLE LOCKOUT
503 12 79-01	H	STARTER HANDLE	506 24 34-35	B	LABEL
503 14 29-02	Q	WASHER	506 24 35-25	B	LABEL
503 16 40-01	F	TANK VENT	506 25 30-01	H	COMPRESSION SPRING
503 20 00-45	A	SCREW	506 25 59-03	F	TANK CAP ASSY
503 20 72-05	A	SCREW	506 25 81-02	H	STARTER PULLEY
503 21 28-10	AFHJ	SCREW	506 25 89-01	H	RECOIL SPRING
503 21 45-16	F	SCREW	506 26 31-01	H	SPACING SLEEVE
503 21 53-10	AGL	SCREW	506 26 41-01	F	FUEL FILTER
503 21 53-16	CDQ	SCREW	506 26 41-11	F	FUEL FILTER
503 21 53-20	BJLQ	SCREW	506 26 63-02	BQ	LINING
503 21 53-21	K	SCREW	506 26 64-01	B	SCREEN PATTERN FLANG
503 21 53-25	D	SCREW	506 26 65-01	B	FLANGE
503 21 53-40	DG	SCREW	506 26 66-04	A	BELT TENSIONER ASSY
503 21 53-41	C	SCREW	506 26 68-01	A	COMPRESSION SPRING
503 21 53-49	K	SCREW	506 27 11-01	F	HOSE CLAMP
503 21 53-56	DL	SCREW	506 28 41-02	B	LABEL
503 21 54-20	FGN	SCREW	506 28 41-04	B	LABEL
503 22 10-11	J	NUT	506 28 41-12	B	LABEL
503 22 65-04	CDFGLQ	NUT	506 28 41-14	B	LABEL
503 23 00-42	J	WASHER STEEL	506 28 44-01	A	COLLAR SCREW
503 23 00-70	C	WASHER STEEL	506 28 73-01	A	NUT
503 23 01-01	J	WASHER STEEL	506 28 84-01	A	RATCHET FLANGE
503 23 01-16	A	WASHER STEEL	506 29 21-01	F	GASKET
503 23 04-02	D	WASHER	506 29 57-02	N	NIPPLE
503 23 51-09	J	SPARK PLUG	506 29 75-02	Q	STARTER HANDLE
503 25 21-01	A	BALL BEARING	506 29 76-02	Q	SHOULDER STRAP
503 25 56-01	DE	NEEDLE BEARING	506 29 83-65	A	SHAFT
503 26 02-04	CDLP	SEALING RING	506 29 88-01	N	FILTER
503 26 60-03	GN	COUPLER	506 30 23-02	Q	LABEL
503 26 60-04	GN	COUPLER	506 30 25-04	Q	BRACKET
503 28 90-47	D	PISTON RING	506 30 97-05	A	LABEL
503 40 06-09	L	IMPULSE HOSE	506 31 30-01	F	LABEL
503 47 96-01	M	SCREW	506 31 69-01	C	DUST COVER
503 48 00-01	M	PIN RETAINING SCREW	506 31 86-02	FJ	STOP SWITCH
503 48 11-01	M	PIECE	506 32 20-02	Q	LABEL
503 48 18-01	M	SCREW	506 32 22-02	Q	LABEL
503 53 56-01	M	PLUG WELCH	506 32 48-01	B	SUPPORT FLANGE
503 53 57-01	M	STRAINER	506 33 56-15	H	STARTER CORD
503 55 22-01	D	PLUG	506 33 56-50	H	STARTER CORD
503 57 89-01	F	TANK CAP HOLDER	506 34 05-42	B	WHEEL GUARD ASSY
503 61 66-01	M	GASKET PUMP	506 34 05-44	B	WHEEL GUARD ASSY
503 71 53-01	D	DECOMPRESSION VALVE	506 34 05-52	Q	WHEEL GUARD ASSY
503 74 43-01	C	CLUTCH SPRING	506 34 46-02	BQ	HANDLE
503 74 44-06	C	CLUTCH ASSY	506 36 42-04	D	MUFFLER
503 84 61-01	C	BUFFER	506 36 88-01	D	BRACKET
503 93 66-01	F	PRIMER HOUSING	506 36 98-01	L	INLET PIPE
504 03 70-07	A	PULLEY WITH RETARDER	506 37 02-01	K	COVER
504 06 22-01	A	PULLEY	506 37 04-01	K	BELLOWS
504 35 72-01	F	SINTER PLUG	506 37 05-01	L	FLANGE INLET PIPE
504 63 42-01	N	NIPPLE	506 37 06-01	L	FLANGE INLET PIPE
504 63 44-01	N	HOUSING	506 37 11-03	G	FRONT HANDLE
504 63 45-01	N	HOUSING	506 37 13-02	F	THROTTLE ROD
504 63 46-01	N	SCREW	506 37 19-02	F	BASE PLATE
505 09 54-01	N	HOSE KIT	506 37 20-03	F	THROTTLE TRIGGER

No.	Pos.	Description	No.	Pos.	Description
506 37 24-01	D	PISTON ASSY	522 98 08-01	C	BELT GUARD
506 37 58-02	D	COOLING PLATE	525 44 43-01	K	FILTER COVER
506 37 67-01	CDLP	CYLINDER BASE GASKET	525 44 60-01	H	STARTER COVER
506 37 68-03	P	GASKET CARBURETTOR	525 47 06-01	L	AIR FILTER PAPER
506 37 68-04	CDL	GASKET CARBURETTOR	525 57 11-01	H	LABEL
506 37 69-02	CDLP	GASKET MUFFLER	525 58 43-01	K	AIR NOZZLE
506 37 70-02	CDLP	GASKET CRANKCASE	525 73 31-01	L	INLET PIPE
506 37 70-03	CDLP	GASKET CRANKCASE	525 76 35-02	K	DECAL
506 37 80-01	F	GROMMET	525 83 18-01	C	BALL BEARING
506 37 84-02	J	CABLE	537 01 25-01	M	BALL
506 37 85-01	J	CABLE	537 01 26-01	M	SPRING
506 37 95-01	F	SPRING	537 04 24-14	F	FUEL HOSE
506 37 96-20	B	BUSHING	537 17 62-01	M	VALVE
506 37 96-22	B	BUSHING	537 17 64-01	M	LEVER
506 37 96-25	B	BUSHING	537 17 70-01	M	VALVE
506 38 15-01	F	HEAT SHIELD	537 17 78-01	M	PLUG
506 38 26-01	P	COMBINATION TOOL	537 20 33-01	E	CUP
506 38 53-05	CDLP	GASKET KIT	537 21 03-07	F	VIBRATION ABSORBER
506 38 58-04	G	HANDLE	537 38 51-01	M	SCREW
506 38 60-12	N	VALVE ASSY	537 38 52-01	M	E-CLIP
506 38 65-13	F	FUEL TANK	544 00 78-01	C	BRACKET
506 38 66-01	F	TANK VENT ASSY	544 06 12-01	DFG	SCREW
506 38 67-02	F	GROUND SUPPORT	544 08 21-01	M	SCREW
506 38 71-02	G	STOP	544 08 22-01	M	SCREW
506 38 78-34	J	IGNITION CABLE	544 21 93-02	CDLP	INSERT
506 39 36-02	A	BELT GUARD	544 22 90-02	F	CHOKE CONTROL
506 39 42-06	A	BEARING HOUSING	544 23 82-01	F	BAND
506 39 42-08	A	BEARING HOUSING	544 32 49-37	F	FUEL HOSE
506 39 46-02	F	CAP	544 32 50-03	F	FUEL HOSE
506 39 54-01	M	COLLAR	544 35 26-01	L	PLATE
506 39 55-01	M	COVER	544 38 39-01	H	AIR CONDUCTOR
506 39 56-01	M	COVER	544 38 41-01	F	ELECTRONIC BOX
506 39 57-01	M	DIAPHRAGM ASSY	544 38 49-01	J	CABLE
506 39 58-01	M	GASKET	544 39 32-01	F	HOSE CLIP
506 39 60-01	M	DIAPHRAGM PUMP	544 44 04-02	A	BRAKE SHOE
506 39 61-01	M	NOZZLE ASSY	544 44 10-01	A	SPRING
506 39 62-01	M	GASKET	544 83 64-01	M	PUMP COVER
506 39 64-01	M	QUAD RING	544 83 65-01	M	SPRING
506 39 65-01	M	ROD	544 89 06-02	Q	LABEL
506 39 66-01	M	SCREW	544 89 09-02	K	LABEL
506 39 69-01	M	SCREW	544 89 11-01	C	LABEL
506 39 70-01	M	SCREW	544 90 84-02	A	BELT
506 39 71-01	M	SHAFT ASSY	544 97 93-01	J	CABLE
506 39 72-01	M	SCREW	574 23 14-01	K	DECAL
506 39 73-01	M	SHAFT ASSY CHOKE	574 23 14-02	K	DECAL
506 39 74-01	M	SHAFT ASSY	574 23 16-01	K	DECAL
506 39 75-01	M	SPRING	574 23 16-02	K	DECAL
506 39 78-01	M	VALVE	574 23 16-03	K	DECAL
506 39 79-01	M	WASHER	574 25 09-01	J	WEIGHT
506 39 84-05	K	CYLINDER COVER ASSY	574 36 20-01	H	STARTER
506 39 90-01	M	O-RING	574 36 21-01	K	FILTER HOLDER ASSY
506 39 91-01	M	PLUG	574 36 23-01	L	FILTER
506 40 93-01	A	NUT	574 36 41-01	C	CRANKCASE ASSY
506 40 99-01	M	GASKET KIT	574 36 41-02	S	LONGBLOCK
506 41 00-03	M	GASKET KIT CARB	574 36 41-05	R	SHORTBLOCK
506 41 23-01	CDLP	GASKET	574 40 57-01	F	SEALING PLUG
506 49 87-01	N	HOSE CLAMP	575 26 77-01	G	SPRING RETAINER
506 49 87-02	N	HOSE CLAMP	575 35 40-01	L	CARBURETTOR BRACKET
506 60 68-66	N	HOSE	575 35 50-01	K	SEALING
506 60 75-01	N	HOSE	575 44 13-01	M	SPRING
510 00 08-01	H	SEALING HOLDER	720 12 40-20	F	PARALLEL PIN
510 11 56-01	J	IGNITION MODULE	725 53 29-56	J	SCREW
510 18 12-02	LM	CARBURETTOR	737 43 12-00	D	CIRCLIP
510 26 92-22	H	SCREW	738 22 02-25	CE	BALL BEARING
520 75 73-04	D	CYLINDER ASSY	740 43 13-00	H	O-RING
522 47 48-01	C	WASHER			
522 47 57-01	C	SPRING RETAINER			
522 60 75-01	M	VALVE			
522 83 23-01	G	GROUND SUPPORT			
522 83 24-01	G	GROUND SUPPORT			

A K760



★Vベルトの張り直し

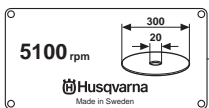
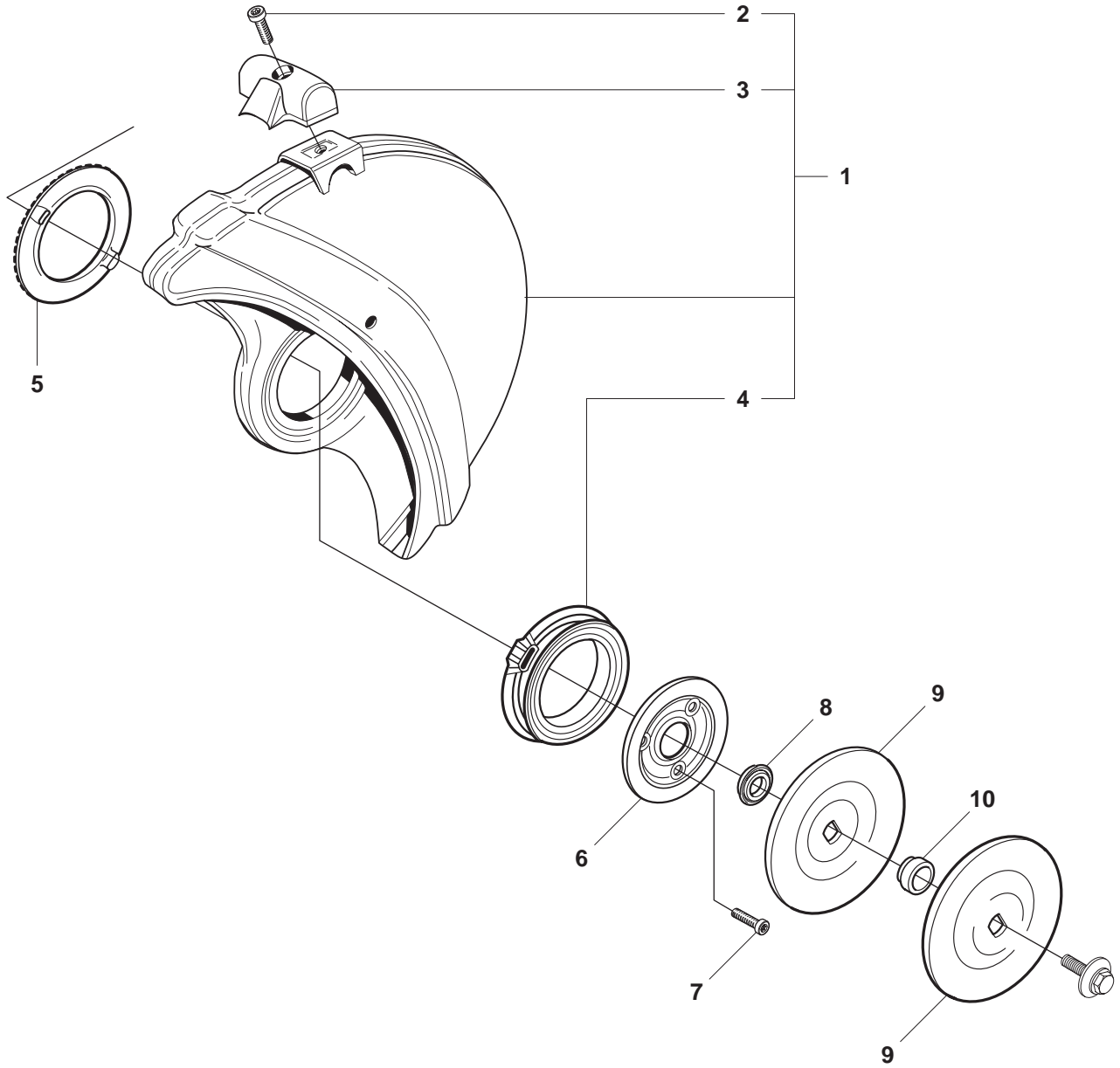
Vベルトカバー上の2箇のナットを緩め、Vベルトカバー上の「矢印」位置に四角ナットをセットします。再び2箇のナットを締め付けます。



27

Page A
K760

Pos.	Part No.	Description	Quantity	Notes	New Part
1	506 28 44-01	COLLAR SCREW	2		
2	506 39 36-02	BELT GUARD	1	Incl. 3	
3	506 26 66-04	BELT TENSIONER ASSY	1	Incl. 4 - 6	
4	506 40 93-01	NUT	1		
5	506 26 68-01	COMPRESSION SPRING	1		
6	503 20 72-05	SCREW	1		
7	503 20 00-45	SCREW	1		
8	503 23 01-16	WASHER STEEL	1		
9	544 90 84-02	BELT	1		
10	504 03 70-07	PULLEY WITH RETARDER	1	Incl. 11 - 13	
11	505 44 54-03	RETARDER CPL	1	Incl. 12, 14 - 15	
12	503 21 28-10	SCREW	7		
13	504 06 22-01	PULLEY	1		
14	544 44 10-01	SPRING	1		
15	544 44 04-02	BRAKE SHOE	4		
16	506 39 42-08	BEARING HOUSING	1	Incl. 17 - 19, 21 - 23	
17	505 57 41-16	SCREW	1		
18	506 14 32-01	TORSION STOP	1		
19	506 39 42-06	BEARING HOUSING	1	Incl. 20	
20	506 28 73-01	NUT	2		
21	503 21 53-10	SCREW	2		
22	506 28 84-01	RATCHET FLANGE	1		
23	503 25 21-01	BALL BEARING	2		
24	506 29 83-65	SHAFT	1	Incl. 25 - 26	
25	506 13 95-11	WASHER	1		
26	506 13 96-01	COLLAR SCREW	1		
27	506 30 97-05	LABEL	1	Japan only	



11

△ 取扱上のご注意 △

パートナーカッターは、取扱いを誤ると危険を及ぼすことがあります。安全作業のために取扱説明書に従ってください。

- このパートナーカッターは、全ての使用法、メンテナンス方法、安全事項の両方を、よく読み、理解しよて熟読して下さい。
- 誤用として使用されるパートナーカッター同一として取扱いされる場合は使用できません。
- 取扱いに違反、ディスクカッターに接触しないが危険です。
- 常に、保護眼鏡を、ヘルメット、安全手袋、安全靴を履き、安全作業を行ってください。
- 保護眼鏡、作業服等着用する際は必ず調整して下さい。
- 安全ピンや他の付属品が使用可能に確認されるまで調整して下さい。
- 使用前は、ブレードを止めて、調整に当たらないで下さい。
- 取扱説明書の注意事項等についてよく確認してください。

Husqvarna

12

御注意

本機に使用するカッターディスク（替刃）は輸入品、国産品ともにメーカー指定品を御使用下さい。ディスクには必ずHusqvarna（ハスクバーナ）の表示があります。指定外のディスクは安全性に欠けます。指定外のディスクを使用している事象については、当社は責任を負いません。尚、取扱説明書をご覧くださいの御使用下さい。

Husqvarna

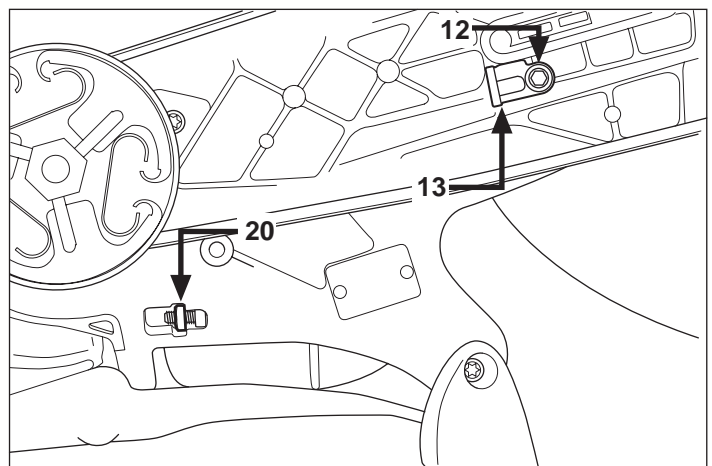
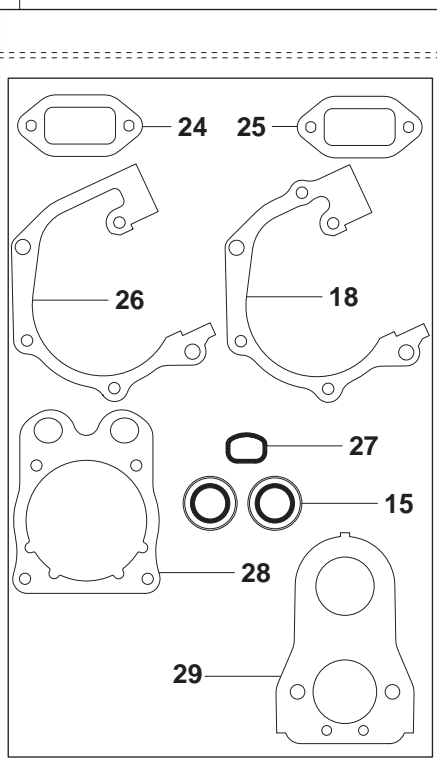
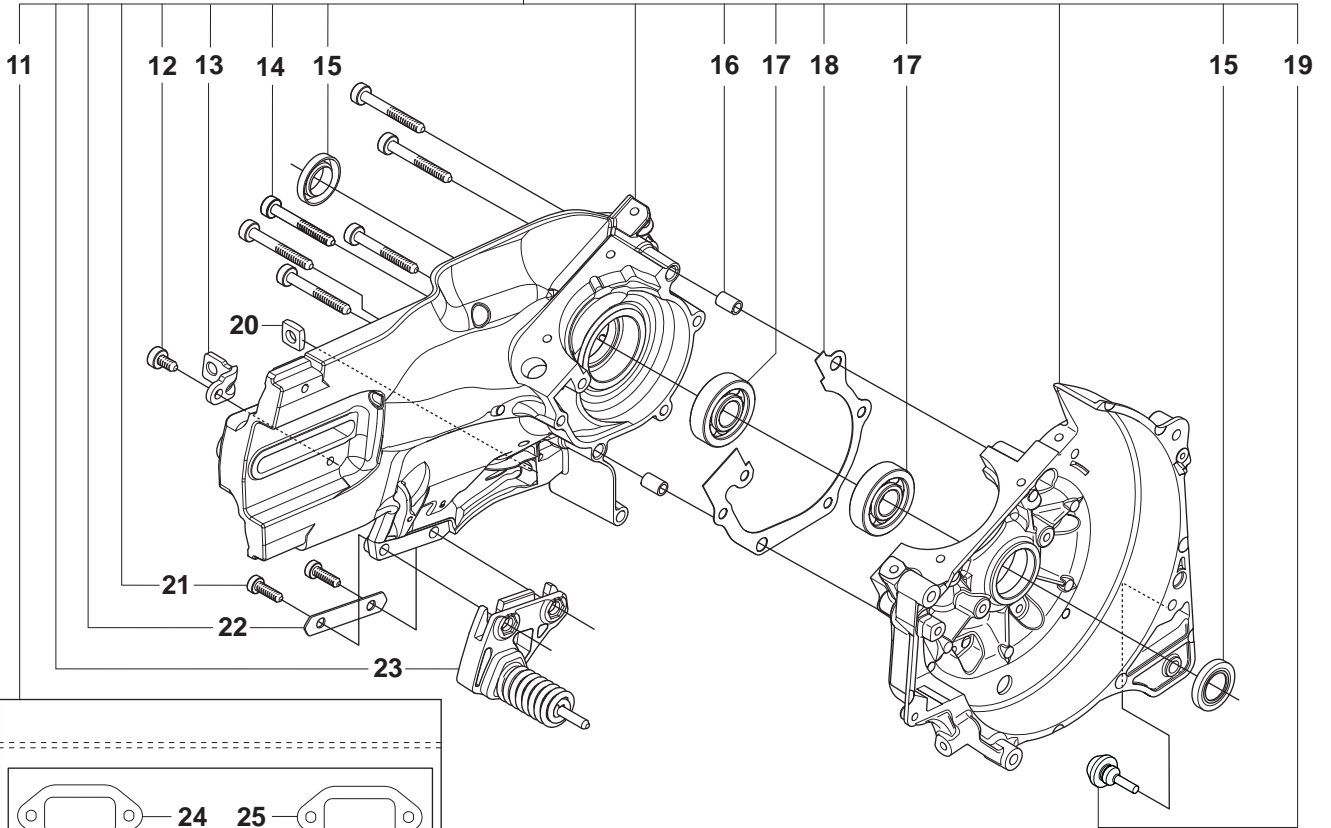
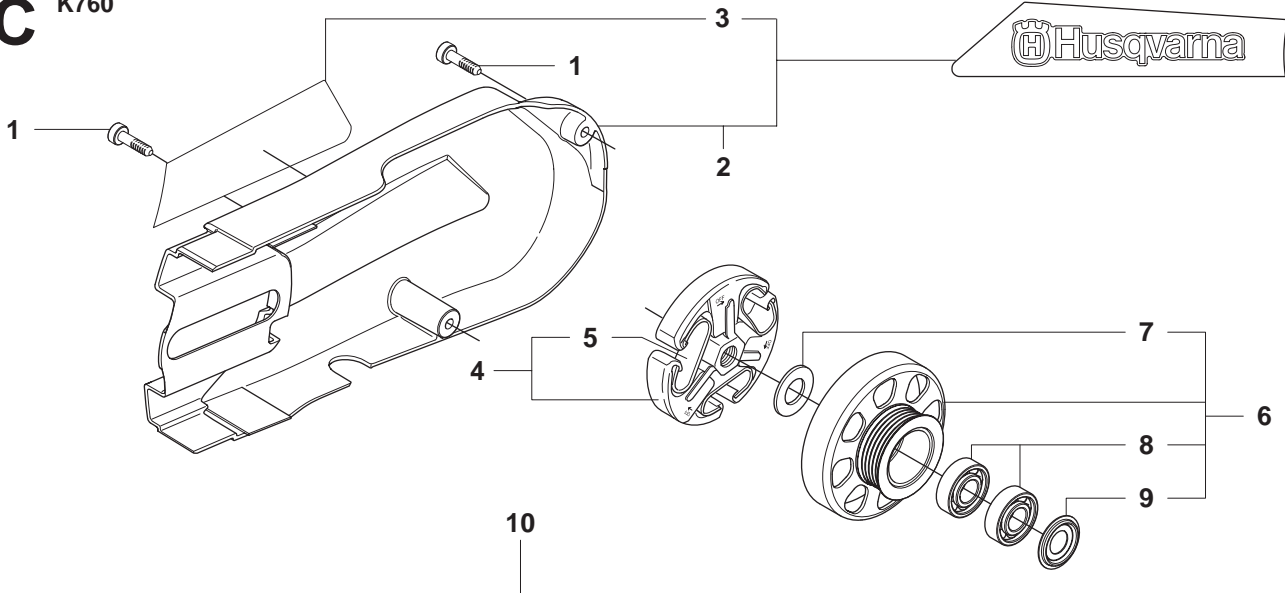
13

Page B
K760

Pos.	Part No.	Description	Quantity	Notes	New Part
1	506 34 05-42	WHEEL GUARD ASSY	1	12", Incl. 2 - 4	
1	506 34 05-44	WHEEL GUARD ASSY	1	14", Incl. 2 - 4	
2	503 21 53-20	SCREW	1		
3	506 34 46-02	HANDLE	1		
4	506 26 63-02	LINING	1		
5	506 26 64-01	SCREEN PATTERN FLANG	1		
6	506 26 65-01	FLANGE	1		
7	505 57 41-16	SCREW	3		
8	506 32 48-01	SUPPORT FLANGE	1		
9	506 02 87-01	FLANGE WASHER	2	Diam 105 mm	
9	506 07 09-01	FLANGE WASHER	2	Diam 119 mm	
10	506 37 96-20	BUSHING	1	Diam 20 mm	
10	506 37 96-22	BUSHING	1	Diam 22,2 mm	
10	506 37 96-25	BUSHING	1	Diam 25,4 mm	
10	506 02 88-30	BUSHING	1	Diam 30,5 mm	
11	506 28 41-04	LABEL	1	12", Diam 1"	
11	506 28 41-02	LABEL	1	12", Diam 20 mm	
11	506 28 41-14	LABEL	1	14", Diam 1"	
11	506 28 41-12	LABEL	1	14", Diam 20 mm	
12	506 24 34-35	LABEL	1	Japan only	
13	506 24 35-25	LABEL	1	Japan only	

C K760

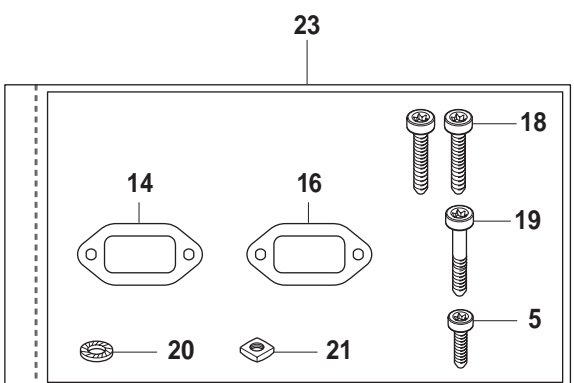
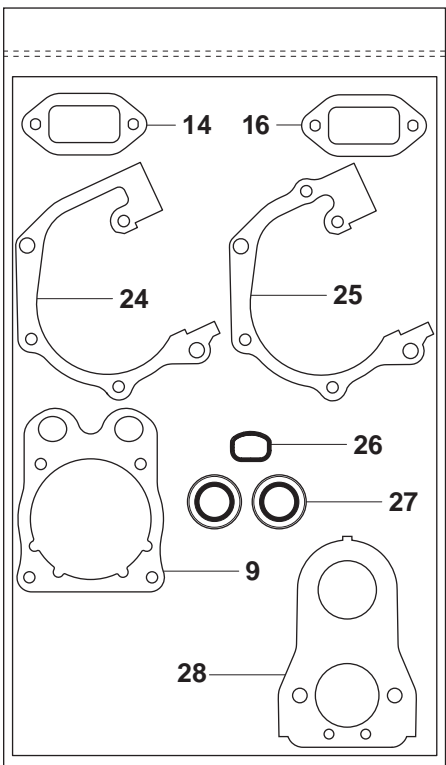
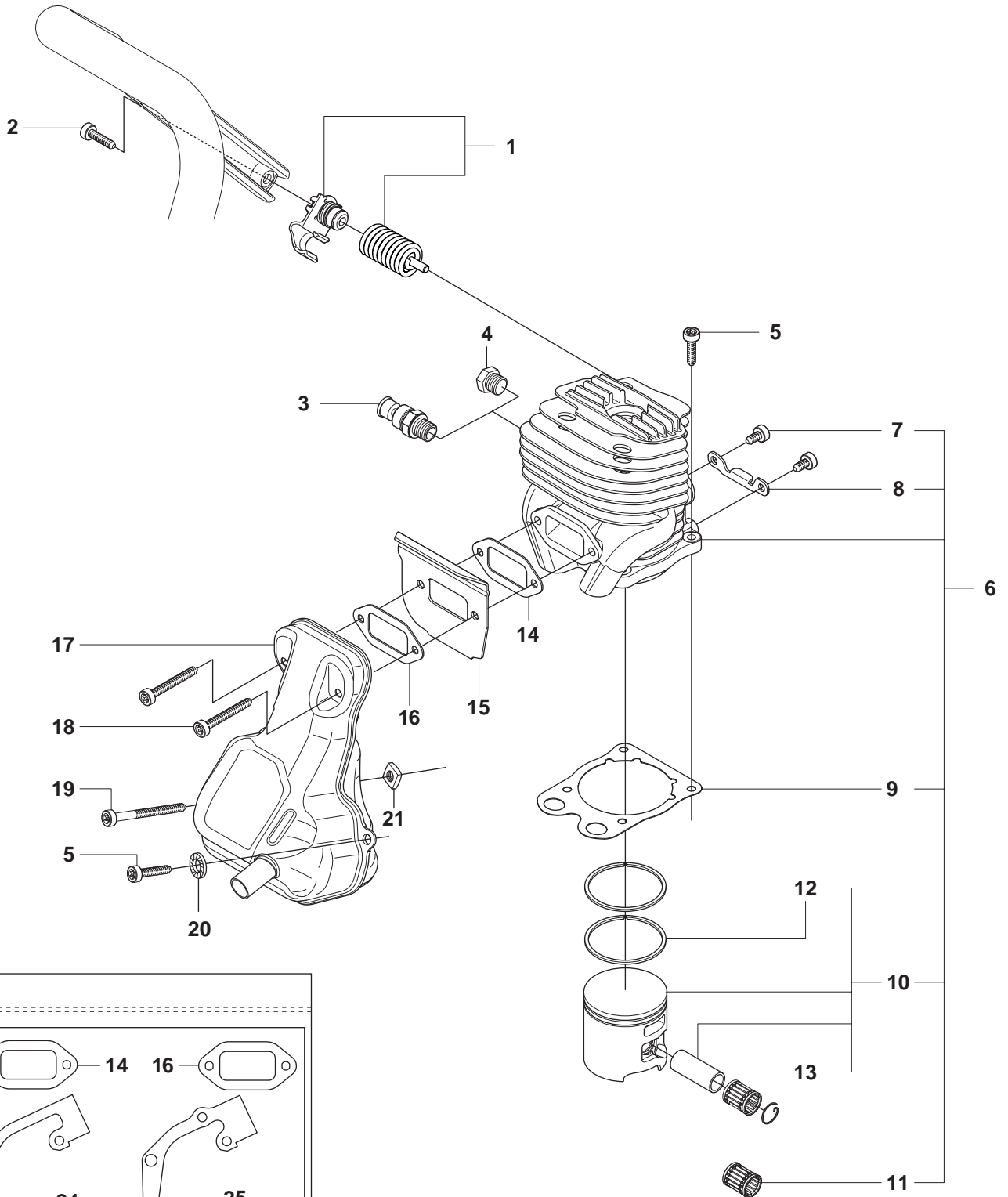
 Husqvarna



Page C
K760

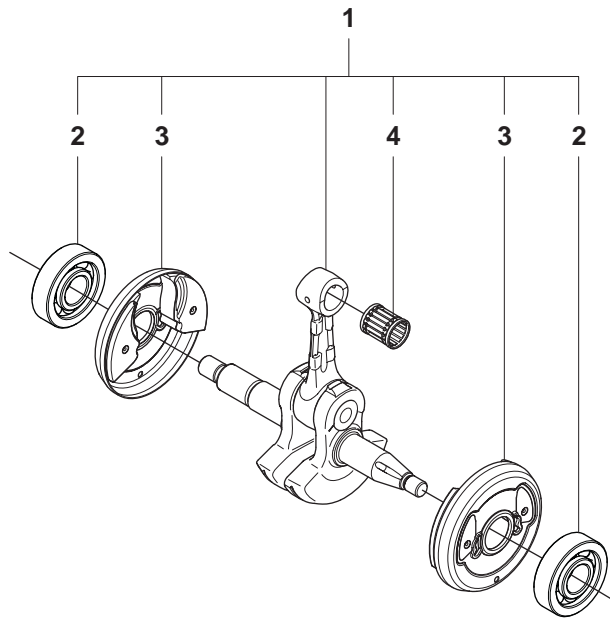
Pos.	Part No.	Description	Quantity	Notes	New Part
1	501 98 10-20	SCREW	2		
2	522 98 08-01	BELT GUARD	1	Incl. 3	
3	544 89 11-01	LABEL	1		
4	503 74 44-06	CLUTCH ASSY	1	Incl. 5	
5	503 74 43-01	CLUTCH SPRING	3		
6	502 28 92-02	DRIVING PULLEY ASSY	1	Incl. 7 - 9	
7	503 23 00-70	WASHER STEEL	1		
8	525 83 18-01	BALL BEARING	2		
9	506 31 69-01	DUST COVER	1		
10	574 36 41-01	CRANKCASE ASSY	1	Incl. 11 - 19, 21 - 23	
11	506 38 53-05	GASKET KIT	1	Incl. 15, 18, 24 - 29	
12	501 98 10-01	SCREW	1		
13	544 00 78-01	BRACKET	1		
14	503 21 53-41	SCREW	6		
15	503 26 02-04	SEALING RING	2		
16	501 27 08-01	GUIDE BUSHING	2		
17	738 22 02-25	BALL BEARING	2		
18	506 37 70-03	GASKET CRANKCASE	1		
19	503 84 61-01	BUFFER	1		
20	503 22 65-04	NUT	1		
21	503 21 53-16	SCREW	2		
22	522 47 48-01	WASHER	1		
23	522 47 57-01	SPRING RETAINER	1		
24	506 41 23-01	GASKET	1		
25	506 37 69-02	GASKET MUFFLER	1		
26	506 37 70-02	GASKET CRANKCASE	1		
27	544 21 93-02	INSERT	1		
28	506 37 67-01	CYLINDER BASE GASKET	1		
29	506 37 68-04	GASKET CARBURETTOR	1		New Part

D K760



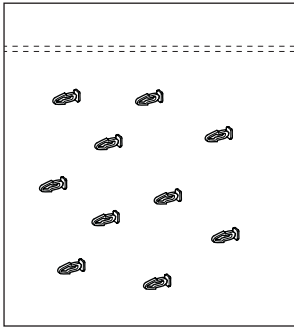
Page D
K760

Pos.	Part No.	Description	Quantity	Notes	New Part
1	505 42 45-01	VIB.INSULATOR	1		
2	544 06 12-01	SCREW	1		
3	503 71 53-01	DECOMPRESSION VALVE	1		
4	503 55 22-01	PLUG	1		
5	503 21 53-25	SCREW	5		
6	520 75 73-04	CYLINDER ASSY	1	Incl. 7 - 11	
7	503 21 53-16	SCREW	2		
8	506 36 88-01	BRACKET	1		
9	506 37 67-01	CYLINDER BASE GASKET	1		
10	506 37 24-01	PISTON ASSY	1	Incl. 12 - 13	
11	503 25 56-01	NEEDLE BEARING	1		
12	503 28 90-47	PISTON RING	2		
13	737 43 12-00	CIRCLIP	2		
14	506 41 23-01	GASKET	1		
15	506 37 58-02	COOLING PLATE	1		
16	506 37 69-02	GASKET MUFFLER	1		
17	506 36 42-04	MUFFLER	1		
18	503 21 53-40	SCREW	2		
19	503 21 53-56	SCREW	1		
20	503 23 04-02	WASHER	1		
21	503 22 65-04	NUT	1		
22	506 38 53-05	GASKET KIT	1	Incl. 9, 14, 16, 24 - 28	
23	505 25 96-01	MUFFLER MOUNTING KIT	1	Incl. 5, 14, 16, 18 - 21	
24	506 37 70-02	GASKET CRANKCASE	1		
25	506 37 70-03	GASKET CRANKCASE	1		
26	544 21 93-02	INSERT	1		
27	503 26 02-04	SEALING RING	2		
28	506 37 68-04	GASKET CARBURETTOR	1		New Part

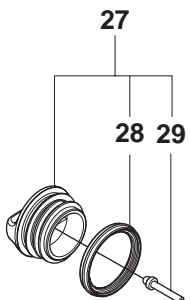
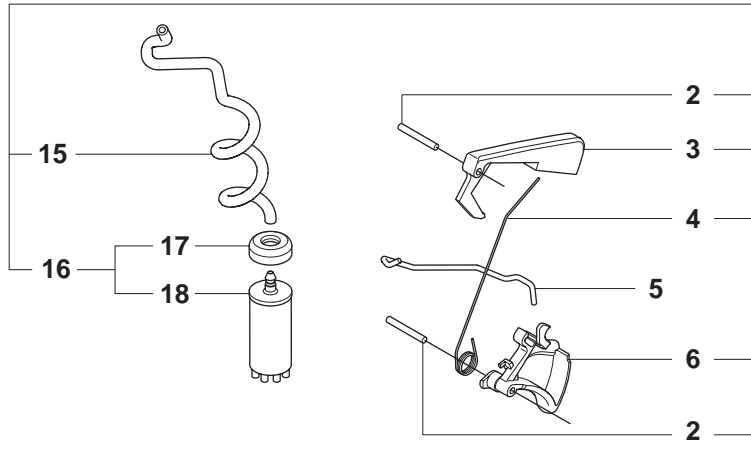


Page E
K760

Pos.	Part No.	Description	Quantity	Notes	New Part
1	502 29 50-02	CRANKSHAFT ASSY	1	Incl. 2 - 4	
2	738 22 02-25	BALL BEARING	2		
3	537 20 33-01	CUP	2		
4	503 25 56-01	NEEDLE BEARING	1		



41 C



27

28 29

24

25

26

12

30

31

32

33

19

8

9

20

22

21

7

10

11

11

12

13

14

1

37

38

39

40

C

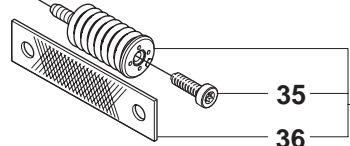
11

11

12

13

14



35

34

36

42



燃料は

ガソリン

25 : 1

2サイクル専用オイル

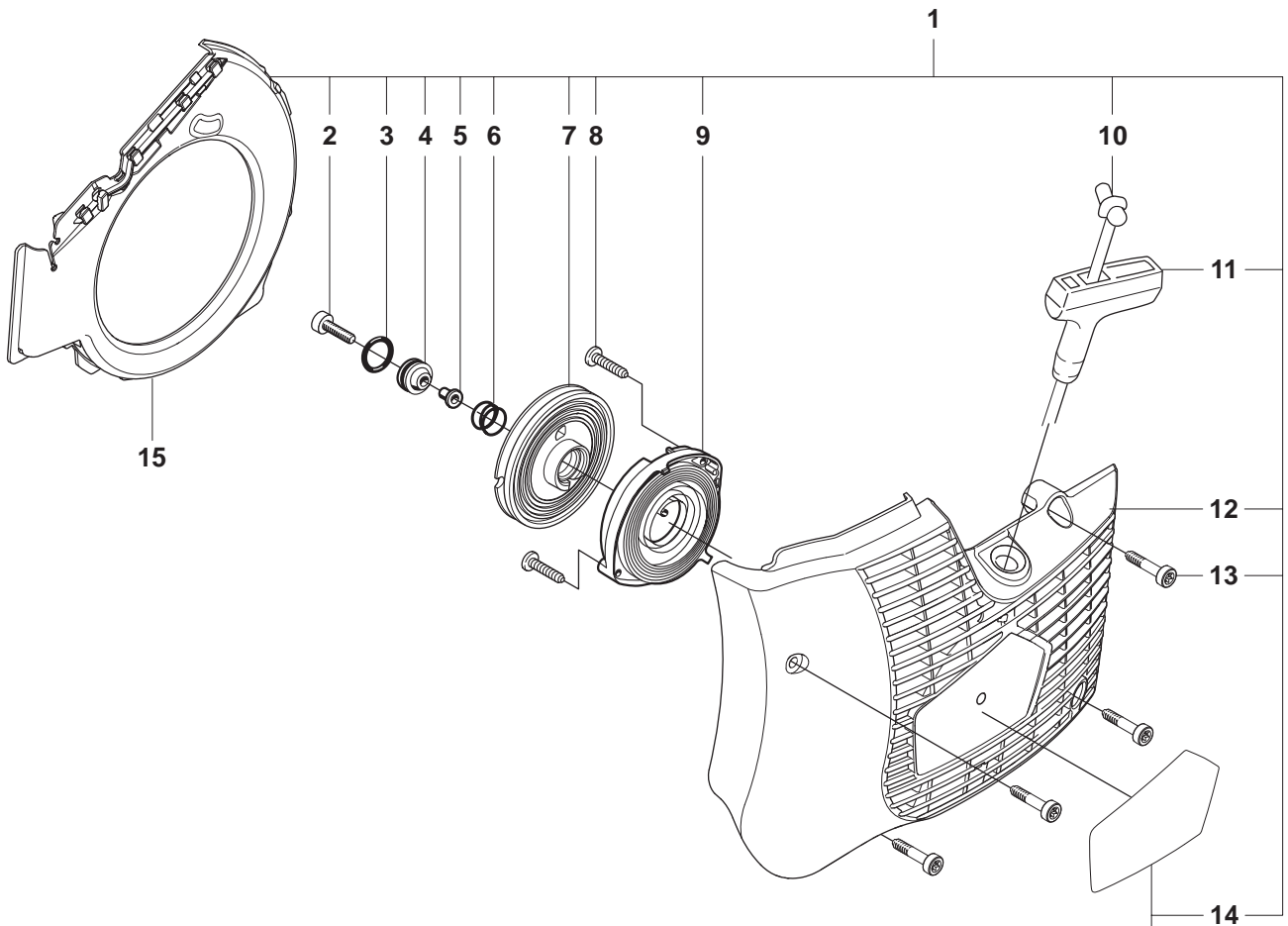
43

Page F
K760

Pos.	Part No.	Description	Quantity	Notes	New Part
1	506 38 65-13	FUEL TANK	1	Incl. 2 - 4, 6 - 7, 10 - 16	
2	720 12 40-20	PARALLEL PIN	2		
3	506 22 28-02	THROTTLE LOCKOUT	1		
4	506 37 95-01	SPRING	1		
5	506 37 13-02	THROTTLE ROD	1		New Part
6	506 37 20-03	THROTTLE TRIGGER	1		
7	506 38 66-01	TANK VENT ASSY	1	Incl. 8 - 9	
8	504 35 72-01	SINTER PLUG	1		
9	503 16 40-01	TANK VENT	1		
10	544 39 32-01	HOSE CLIP	1		
11	501 37 13-01	LID	1		
12	503 22 65-04	NUT	6		
13	506 38 67-02	GROUND SUPPORT	1		
14	503 21 45-16	SCREW	2		
15	544 32 50-03	FUEL HOSE	1		
16	506 26 41-11	FUEL FILTER	1	Incl. 17 - 18	
17	506 27 11-01	HOSE CLAMP	1		
18	506 26 41-01	FUEL FILTER	1		
19	574 40 57-01	SEALING PLUG	1		
20	544 22 90-02	CHOKE CONTROL	1		
21	506 37 80-01	GROMMET	1		
22	503 21 28-10	SCREW	1		
23	506 31 86-02	STOP SWITCH	1		
24	503 93 66-01	PRIMER HOUSING	1	Purge	
25	505 19 52-01	FUEL HOSE	1	Purge	
26	537 04 24-14	FUEL HOSE	1	Purge	
27	506 25 59-03	TANK CAP ASSY	1	Incl. 28 - 29	
28	506 29 21-01	GASKET	1		
29	503 57 89-01	TANK CAP HOLDER	1		
30	506 39 46-02	CAP	1		
31	506 38 15-01	HEAT SHIELD	1		
32	503 21 54-20	SCREW	4		
33	506 37 19-02	BASE PLATE	1		
34	537 21 03-07	VIBRATION ABSORBER	1	Incl. 35 - 36	
35	544 06 12-01	SCREW	1		
36	544 23 82-01	BAND	1		
37	544 32 49-37	FUEL HOSE	1	Oil Guard	
38	544 38 41-01	ELECTRONIC BOX	1	Oil Guard	
39	501 01 88-01	HOUSING	1	Oil Guard	
40	501 01 94-01	SWITCH	1	Oil Guard	
41	502 23 33-01	KIT BREAK PIN	1	Oil Guard, Incl. 10 pins	
42	501 31 89-01	LABEL	1	Oil Guard	
43	506 31 30-01	LABEL	1	Japan only	

Page G
K760

Pos.	Part No.	Description	Quantity	Notes	New Part
1	544 06 12-01	SCREW	3		
2	503 21 54-20	SCREW	3		
3	575 26 77-01	SPRING RETAINER	1		New Part
4	522 83 23-01	GROUND SUPPORT	1		
5	503 22 65-04	NUT	1		New Part
6	503 21 53-10	SCREW	3		
7	503 21 53-40	SCREW	1		
8	522 83 24-01	GROUND SUPPORT	1		
9	506 38 58-04	HANDLE	1	Incl. 2, 10 - 11	
10	506 37 11-03	FRONT HANDLE	1		
11	506 38 71-02	STOP	1		
12	503 26 60-03	COUPLER	1	USA, Canada	
12	503 26 60-04	COUPLER	1		
13	505 09 55-01	HOSE KIT	1		

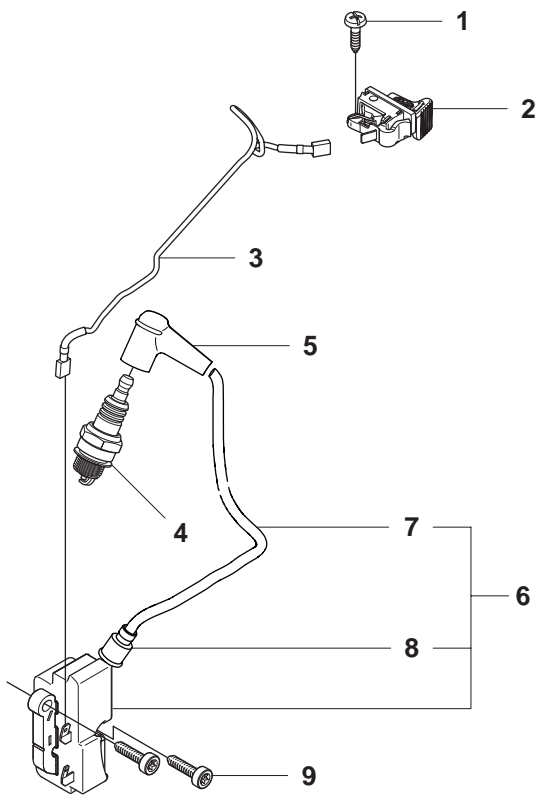


Page H
K760

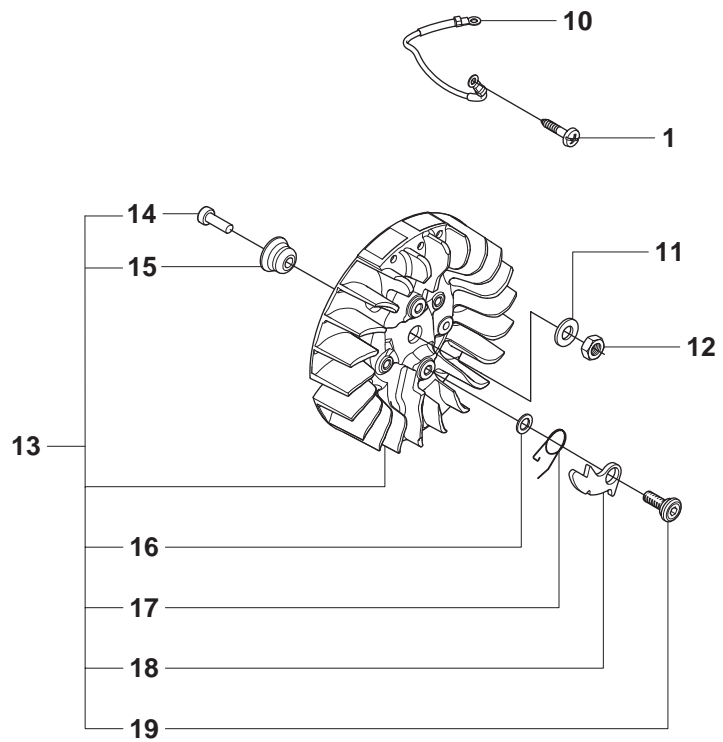
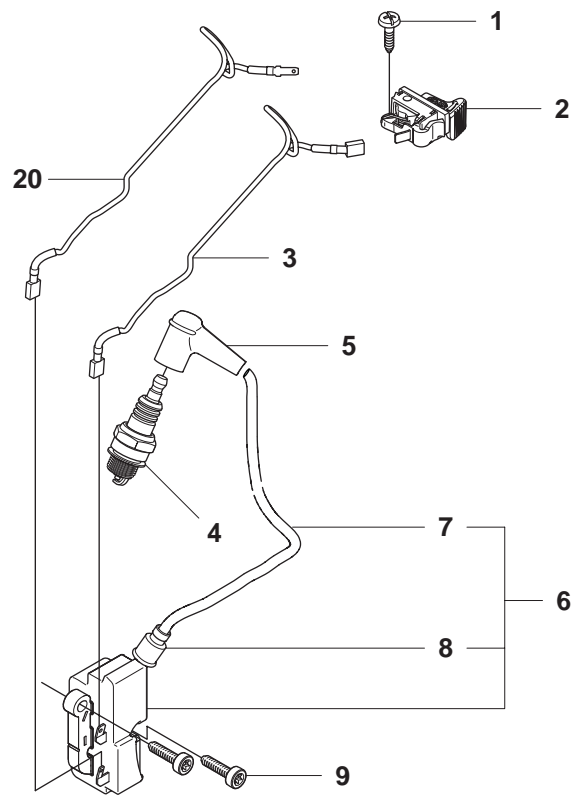
Pos.	Part No.	Description	Quantity	Notes	New Part
1	574 36 20-01	STARTER	1	Incl. 2 - 15	
2	510 26 92-22	SCREW	1		
3	740 43 13-00	O-RING	1		
4	510 00 08-01	SEALING HOLDER	1		
5	506 26 31-01	SPACING SLEEVE	1		
6	506 25 30-01	COMPRESSION SPRING	1		
7	506 25 81-02	STARTER PULLEY	1		
8	503 21 28-10	SCREW	2		
9	506 25 89-01	RECOIL SPRING	1		
10	506 33 56-15	STARTER CORD	1		
10	506 33 56-50	STARTER CORD	1	50 m	
11	503 12 79-01	STARTER HANDLE	1		
12	525 44 60-01	STARTER COVER	1		
13	501 98 10-20	SCREW	4		
14	525 57 11-01	LABEL	1		
15	544 38 39-01	AIR CONDUCTOR	1		

J

K760



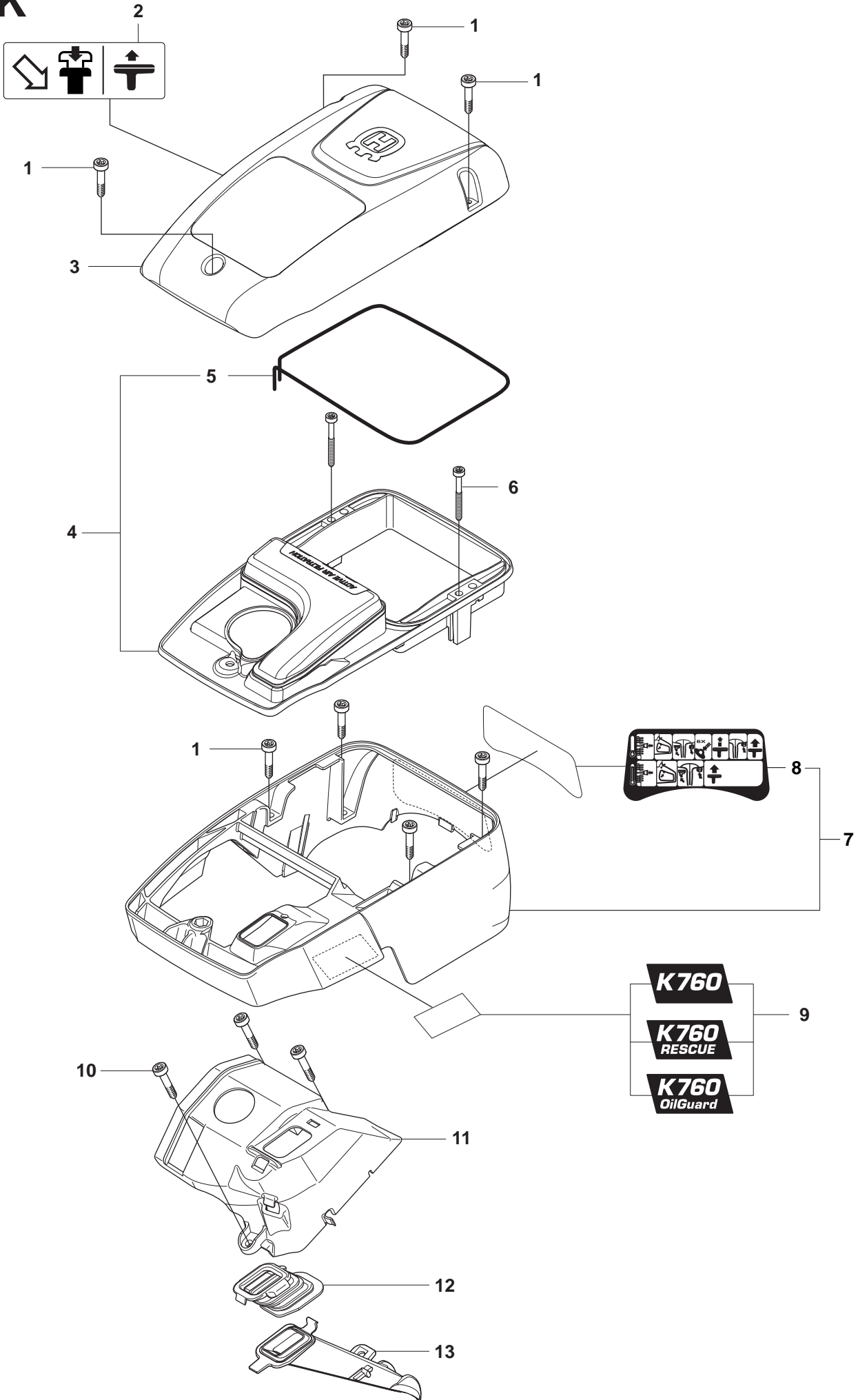
K760 Oil Guard



Page J
K760

Pos.	Part No.	Description	Quantity	Notes	New Part
1	503 21 28-10	SCREW	2		
2	506 31 86-02	STOP SWITCH	1		
3	506 37 84-02	CABLE	1		
3	544 97 93-01	CABLE	1	Oil Guard	
4	503 23 51-09	SPARK PLUG	1	RCJ 6 Y	
5	501 48 54-02	SPARK PLUG CAP	1		
6	510 11 56-01	IGNITION MODULE	1	Incl. 7 - 8	
7	506 38 78-34	IGNITION CABLE	1		
8	505 27 75-16	ISOLERHATT	1		
9	503 21 53-20	SCREW	2		
10	506 37 85-01	CABLE	1		
11	503 23 01-01	WASHER STEEL	1		
12	503 22 10-11	NUT	1		
13	501 37 56-04	FLYWHEEL	1	Incl. 14 - 19	New Part
14	725 53 29-56	SCREW	1		New Part
15	574 25 09-01	WEIGHT	1		New Part
16	503 23 00-42	WASHER STEEL	2		
17	501 63 48-01	SPRING	2		
18	501 67 32-03	PAWL	2		
19	506 00 69-01	SCREW	2		
20	544 38 49-01	CABLE	1	Oil Guard	

K K760

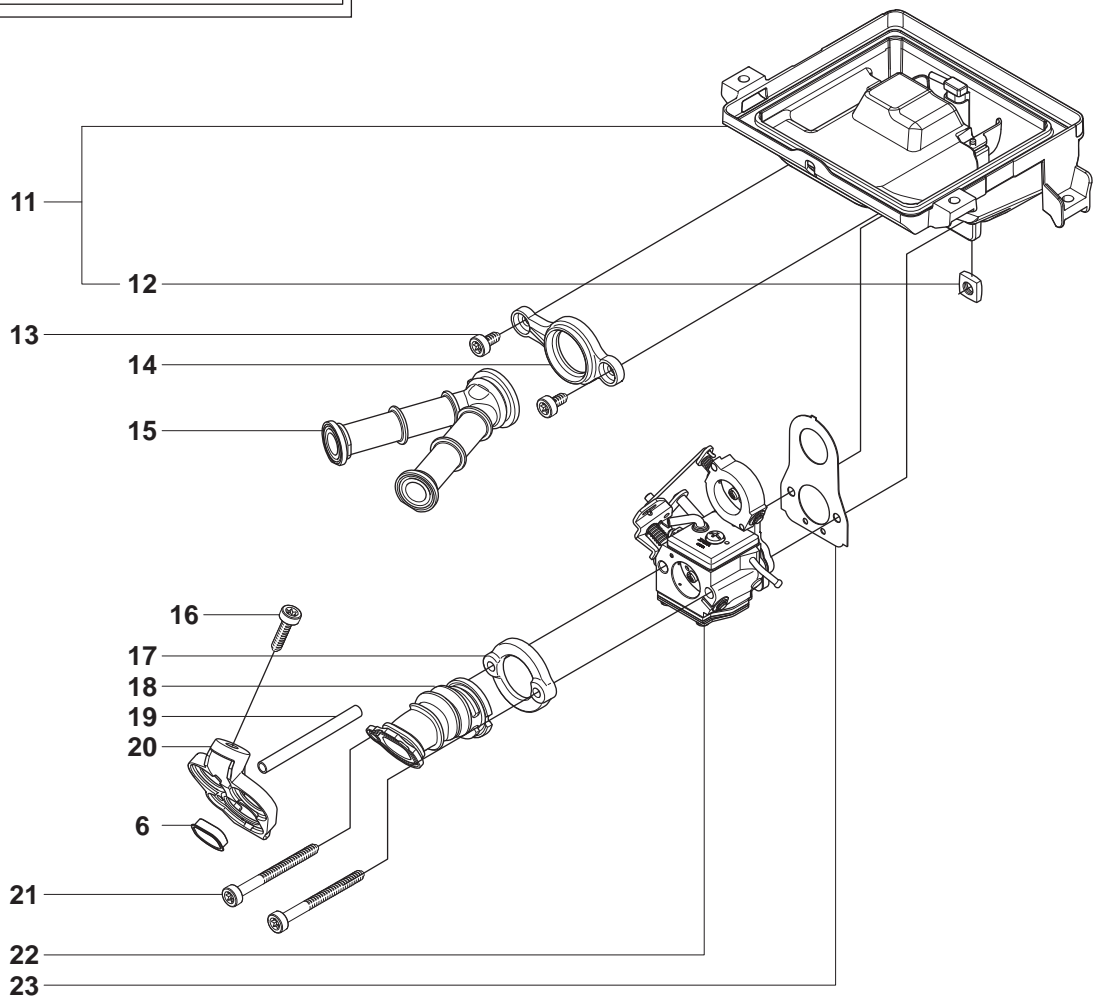
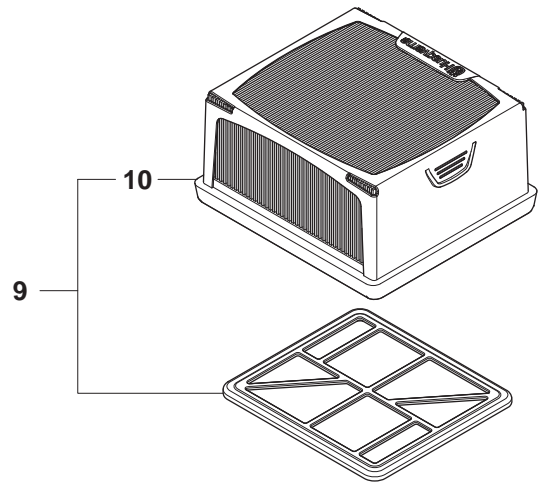
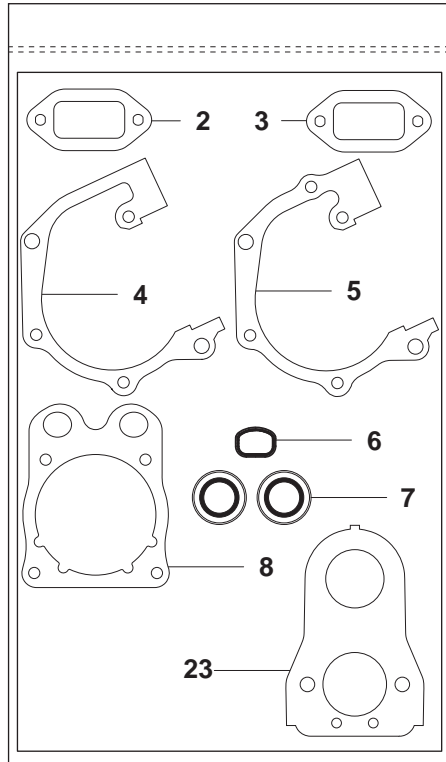


Page K
K760

Pos.	Part No.	Description	Quantity	Notes	New Part
1	503 21 53-21	SCREW	7		
3	525 44 43-01	FILTER COVER	1		
4	574 36 21-01	FILTER HOLDER ASSY	1	Incl. 5	
5	575 35 50-01	SEALING	1		
6	503 21 53-49	SCREW	2		
7	506 39 84-05	CYLINDER COVER ASSY	1	Incl. 8	
8	544 89 09-02	LABEL	1		
9	574 23 16-01	DECAL	1		
9	574 23 16-02	DECAL	1	Rescue	
9	574 23 16-03	DECAL	1	Oil Guard	
10	501 98 10-20	SCREW	3		New Part
11	506 37 02-01	COVER	1		
12	506 37 04-01	BELLOWS	1		
13	525 58 43-01	AIR NOZZLE	1		
2	525 76 35-02	DECAL	1		

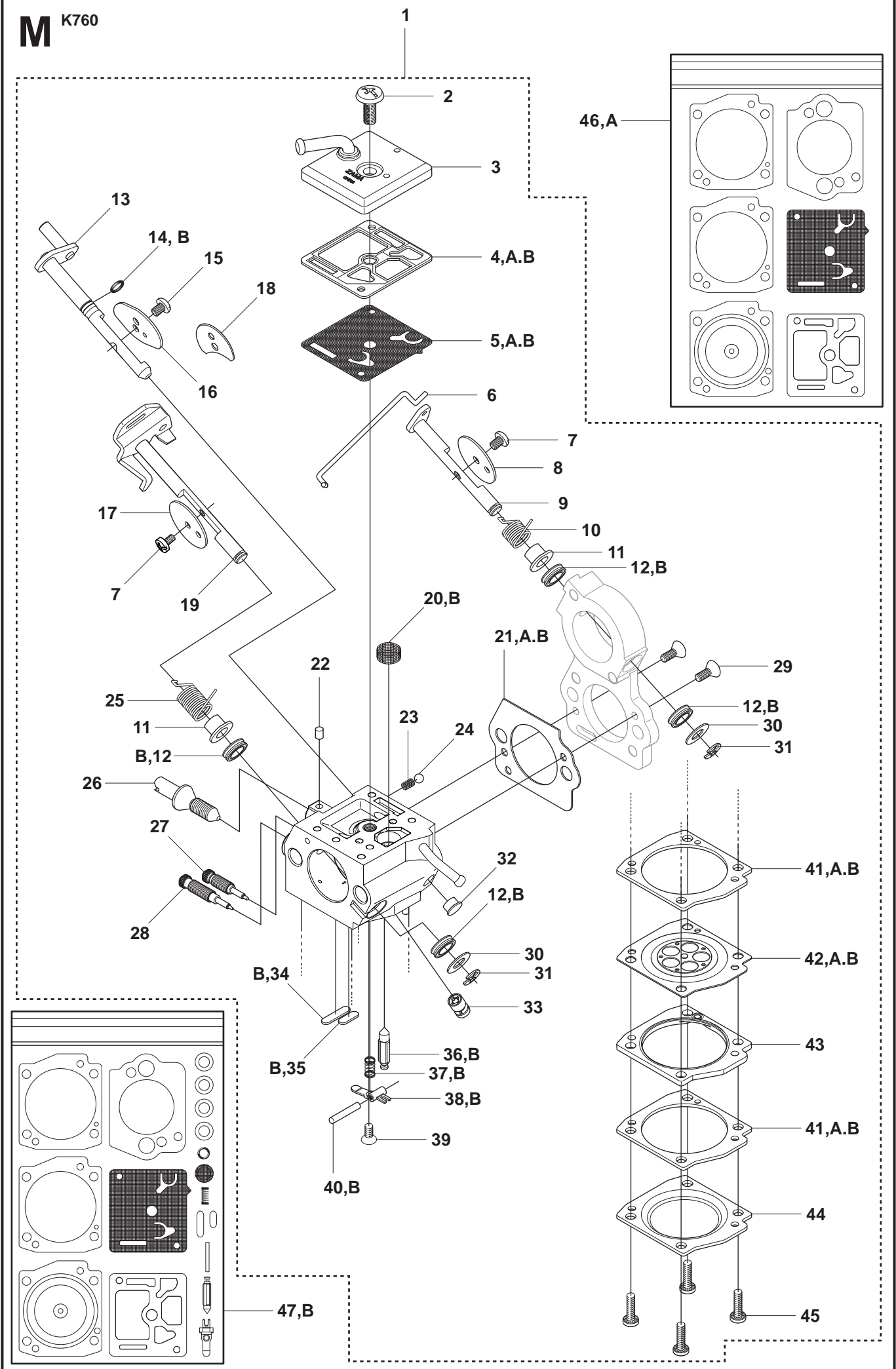


K760



Page L
K760

Pos.	Part No.	Description	Quantity	Notes	New Part
1	506 38 53-05	GASKET KIT	1	Incl. 2 - 8, 23	
2	506 41 23-01	GASKET	1		
3	506 37 69-02	GASKET MUFFLER	1		
4	506 37 70-02	GASKET CRANKCASE	1		
5	506 37 70-03	GASKET CRANKCASE	1		
6	544 21 93-02	INSERT	1		
7	503 26 02-04	SEALING RING	2		
8	506 37 67-01	CYLINDER BASE GASKET	1		
9	574 36 23-01	FILTER	1	Incl. 10	
10	525 47 06-01	AIR FILTER PAPER	1		
11	575 35 40-01	CARBURETTOR BRACKET	1	Incl. 12	
12	503 22 65-04	NUT	4		
13	503 21 53-10	SCREW	2		
14	506 37 06-01	FLANGE INLET PIPE	1		
15	506 36 98-01	INLET PIPE	1		
16	503 21 53-20	SCREW	1		
17	506 37 05-01	FLANGE INLET PIPE	1		
18	525 73 31-01	INLET PIPE	1		New Part
19	503 40 06-09	IMPULSE HOSE	1		
20	544 35 26-01	PLATE	1		
21	503 21 53-56	SCREW	2		
22	510 18 12-02	CARBURETTOR	1	Zama C3-EL43A	
23	506 37 68-04	GASKET CARBURETTOR	1		New Part



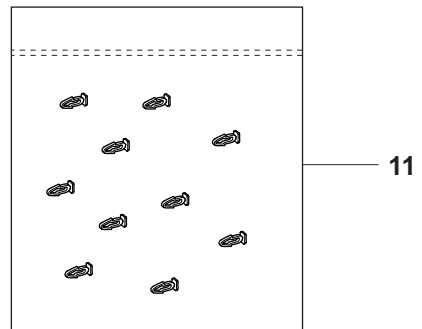
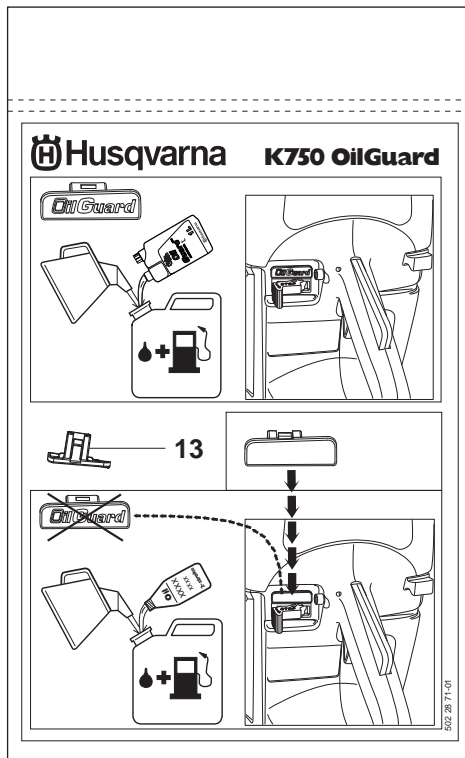
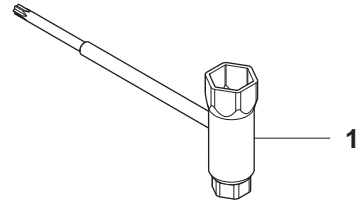
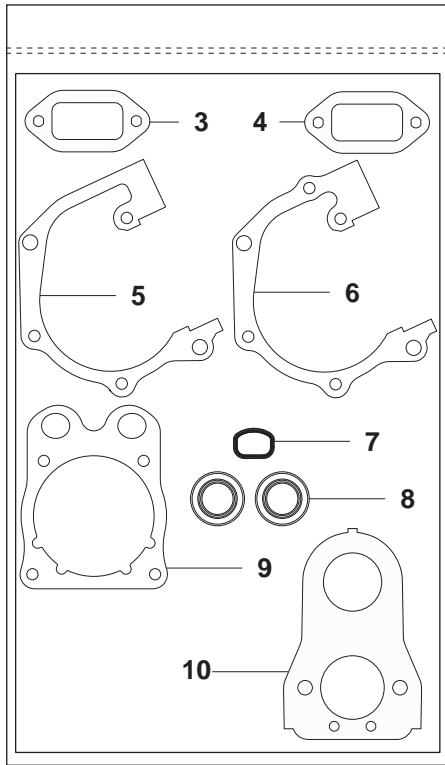
Page M

K760

Pos.	Part No.	Description	Quantity	Notes	New Part
1	510 18 12-02	CARBURETTOR	1	Zama C3-EL43A, Incl. 2 - 43	
2	503 47 96-01	SCREW	1		
3	544 83 64-01	PUMP COVER	1		
4	503 61 66-01	GASKET PUMP	1		
5	506 39 60-01	DIAPHRAGM PUMP	1		
6	506 39 65-01	ROD	1		
7	544 08 22-01	SCREW	2		
9	506 39 71-01	SHAFT ASSY	1		
10	506 39 75-01	SPRING	1		
11	506 39 54-01	COLLAR	2		
12	506 39 64-01	QUAD RING	4		
13	506 39 73-01	SHAFT ASSY CHOKE	1		
14	506 39 90-01	O-RING	1		
15	503 48 18-01	SCREW	1		
16	506 39 78-01	VALVE	1		
17	537 17 70-01	VALVE	1		
18	522 60 75-01	VALVE	1	Japan only	
19	506 39 74-01	SHAFT ASSY	1		
20	503 53 57-01	STRAINER	1		
21	506 39 58-01	GASKET	1		
22	503 48 11-01	PIECE	1		
23	537 01 26-01	SPRING	1		
24	537 01 25-01	BALL	1		
25	544 83 65-01	SPRING	1		
26	506 39 72-01	SCREW	1		
27	506 39 70-01	SCREW	1		
28	506 39 69-01	SCREW	1		
29	537 38 51-01	SCREW	2		
30	506 39 79-01	WASHER	2		
31	537 38 52-01	E-CLIP	2		
32	506 39 91-01	PLUG	1		
33	506 39 61-01	NOZZLE ASSY	1		
34	503 53 56-01	PLUG WELCH	1		
35	537 17 78-01	PLUG	1		
36	537 17 62-01	VALVE	1		
37	575 44 13-01	SPRING	1		
38	537 17 64-01	LEVER	1		
39	544 08 21-01	SCREW	1		
40	503 48 00-01	PIN RETAINING SCREW	1		
41	506 39 62-01	GASKET	2		
42	506 39 57-01	DIAPHRAGM ASSY	1		
43	506 39 55-01	COVER	1		
44	506 39 56-01	COVER	1		
45	506 39 66-01	SCREW	4		
46	506 40 99-01	GASKET KIT	1	Incl. 4-5, 21, 41, 42	
47	506 41 00-03	GASKET KIT CARB	1	Incl. 4-5, 12, 14, 20, 21, 34-38, 40-42	

Page N
K760

Pos.	Part No.	Description	Quantity	Notes	New Part
1	505 09 55-01	HOSE KIT	1	Incl. 2, 5 - 7	
2	506 29 57-02	NIPPLE	1	Incl. 3, 4	
3	506 29 88-01	FILTER	1		
4	505 10 35-01	O-RING	1		
5	506 49 87-02	HOSE CLAMP	1		
6	506 60 75-01	HOSE	1		
7	506 38 60-12	VALVE ASSY	1	Incl. 8	
8	503 21 54-20	SCREW	2		
9	505 09 54-01	HOSE KIT	1	Incl. 10 - 15	
10	506 49 87-01	HOSE CLAMP	4		
11	506 60 68-66	HOSE	1	620 mm	
12	504 63 46-01	SCREW	2		
13	504 63 44-01	HOUSING	1		
14	504 63 42-01	NIPPLE	2		
15	504 63 45-01	HOUSING	1		
16	503 26 60-03	COUPLER	1	USA, Canada	
16	503 26 60-04	COUPLER	1		

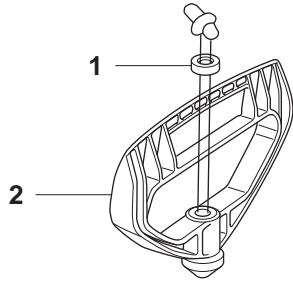


Page P
K760

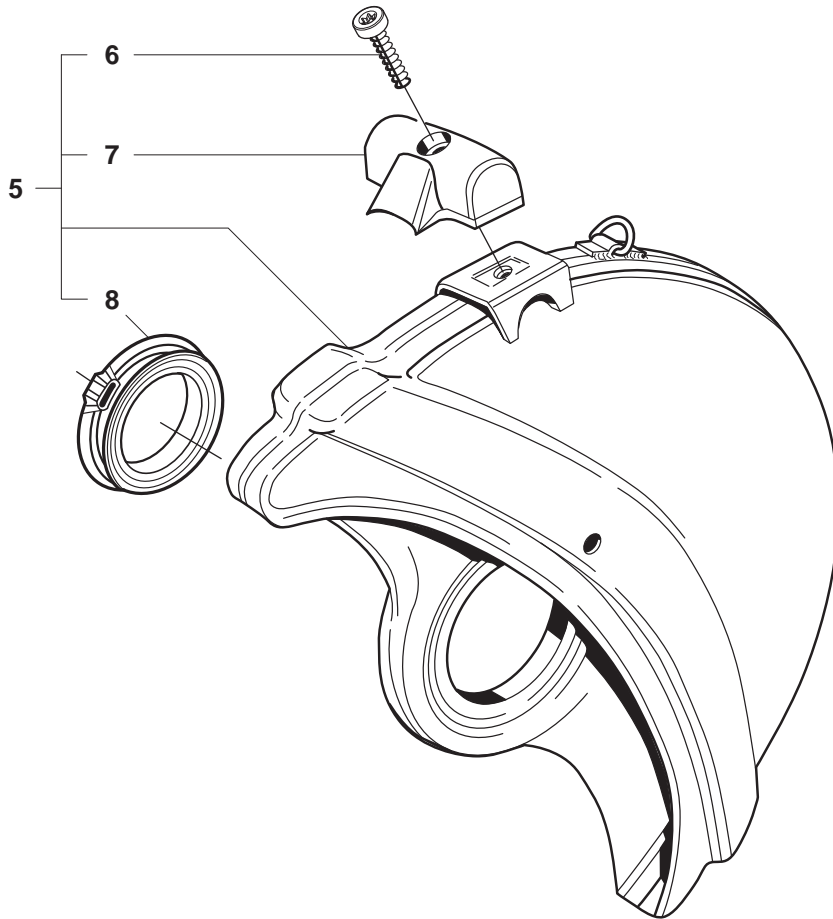
Pos.	Part No.	Description	Quantity	Notes	New Part
1	506 38 26-01	COMBINATION TOOL	1		
2	506 38 53-05	GASKET KIT	1	Incl. 3 - 10	
3	506 41 23-01	GASKET	1		
4	506 37 69-02	GASKET MUFFLER	1		
5	506 37 70-02	GASKET CRANKCASE	1		
6	506 37 70-03	GASKET CRANKCASE	1		
7	544 21 93-02	INSERT	1		
8	503 26 02-04	SEALING RING	2		
9	506 37 67-01	CYLINDER BASE GASKET	1		
10	506 37 68-03	GASKET CARBURETTOR	1		
11	502 23 33-01	KIT BREAK PIN	1	Incl. 10 Pins	
12	502 28 70-01	KIT SWITCH OFF	1		
13	501 01 95-01	SWITCH	1		

Q K760

K12 FD FIRE-RESCUE

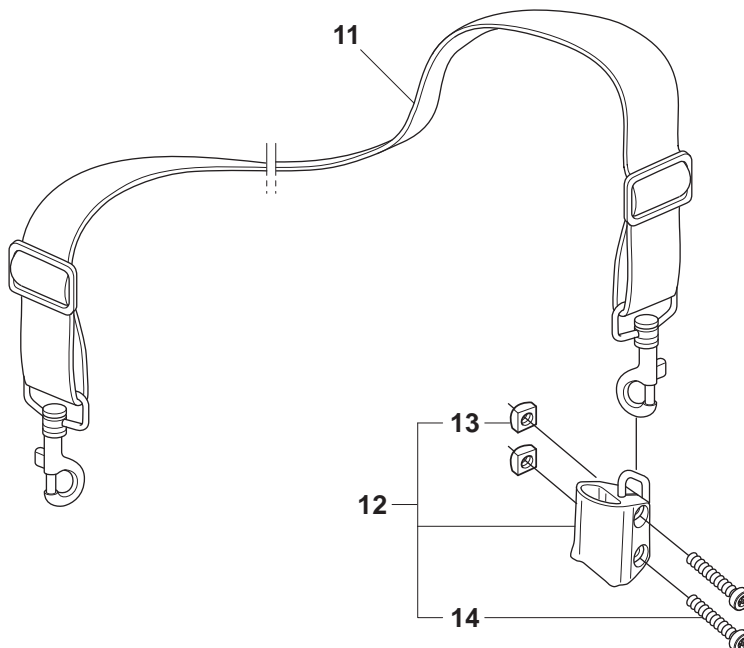


Rescue



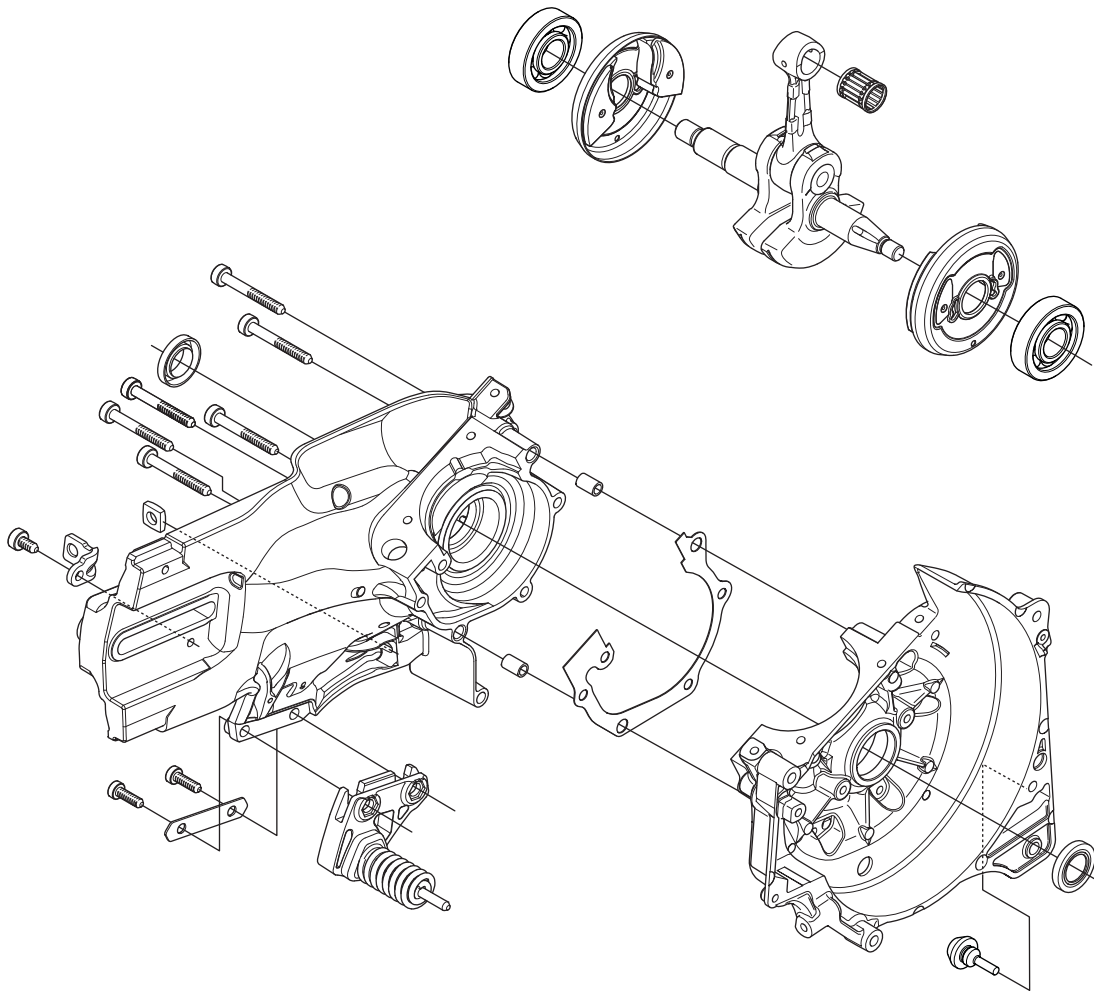
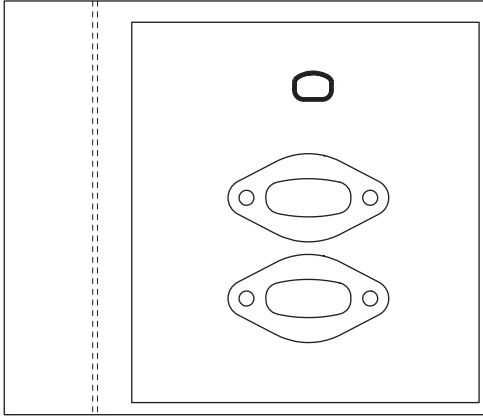
9 — **Husqvarna Rescue**
max 5100 rpm
Ø20mm, Ø300mm (Ø12")

10 — **ATTENTION**
This product has been modified for use by
trained fire rescue personnel only.



Page Q
K760

Pos.	Part No.	Description	Quantity	Notes	New Part
1	503 14 29-02	WASHER	1		
2	506 29 75-02	STARTER HANDLE	1		
3	506 32 20-02	LABEL	1		
4	506 30 23-02	LABEL	2		
5	506 34 05-52	WHEEL GUARD ASSY	1	Rescue 12". Incl. 6 - 8	
6	503 21 53-20	SCREW	1		
7	506 34 46-02	HANDLE	1		
8	506 26 63-02	LINING	2		
9	544 89 06-02	LABEL	1		
10	506 32 22-02	LABEL	1		
11	506 29 76-02	SHOULDER STRAP	1		New Part
12	506 30 25-04	BRACKET	1	Incl. 13, 14	
13	503 22 65-04	NUT	2		
14	503 21 53-16	SCREW	2		



Page R
K760

Pos.	Part No.	Description	Quantity	Notes	New Part
1	574 36 41-05	SHORTBLOCK	1		

Page S
K760

Pos.	Part No.	Description	Quantity	Notes	New Part
1	574 36 41-02	LONGBLOCK	1		