

## K2500

Reservdelar

Spare parts

Ersatzteile

Pieces de rechange

Piezas de repuesto

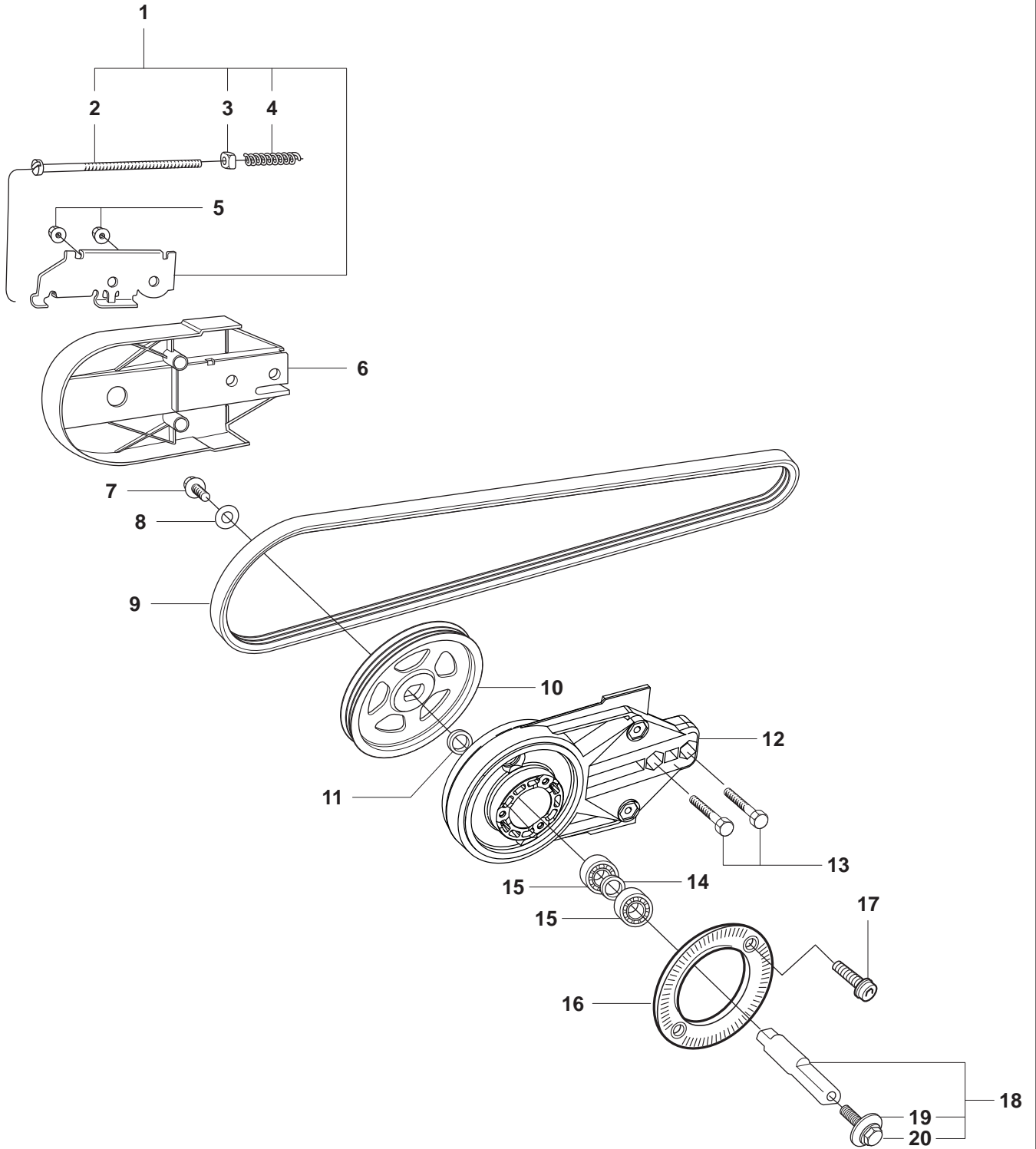
Ricambi

Peças sobresselente



No.	Pos.	Description	No.	Pos.	Description
501 62 89-09	C	HANDLE INSERT	506 26 65-01	B	FLANGE
501 69 17-02	G	COMBINATION TOOL	506 28 41-22	B	LABEL
502 21 58-01	G	L-NYCKEL	506 28 41-24	B	LABEL
503 20 00-45	A	SCREW COLLAR	506 28 84-01	A	SCREEN PATTERN FLANG
503 20 02-12	A	SCREW	506 29 57-02	F	NIPPLE
503 20 02-16	C	SCREW	506 29 83-71	A	SHAFT
503 20 02-20	D	SCREW	506 29 88-01	F	FILTER
503 20 02-40	C	SCREW	506 30 11-14	D	SEALING
503 20 02-45	D	SCREW	506 31 77-31	F	VALVE ASSY
503 20 13-30	D	SCREW	506 32 00-02	D	SHAFT
503 20 30-09	A	SCREW	506 32 48-01	B	SUPPORT FLANGE
503 21 06-19	F	SCREW	506 34 05-46	B	WHEEL GUARD
503 21 28-10	C	SCREW	506 34 46-02	B	HANDLE
503 21 53-20	B	SCREW	506 34 67-15	D	SHAFT KIT
503 22 00-01	A	NUT FLANGE	506 37 96-20	B	BUSHING
503 22 65-04	C	NUT	506 37 96-22	B	BUSHING
503 22 66-01	A	NUT	506 37 96-25	B	BUSHING
503 23 00-24	D	WASHER STEEL	506 40 43-02	A	BEARING HOUSING
503 23 01-04	A	WASHER STEEL	506 49 87-01	F	HOSE CLAMP
503 23 01-16	A	WASHER STEEL	506 49 87-02	F	HOSE CLAMP
503 23 04-02	C	WASHER	506 60 68-66	F	HOSE
503 240 7-01	D	PIN	506 60 75-01	F	HOSE
503 25 21-01	A	BALL BEARING	544 87 27-01	C	LABLE
503 26 30-28	D	O-RING	544 97 63-03	A	BELT
503 26 60-03	F	COUPLER	544 98 09-01	D	PULLEY
503 26 60-04	F	COUPLER	544 98 50-01	A	PULLEY
504 63 42-01	F	NIPPLE	720 13 10-00	C	PIN
504 63 44-01	F	HOUSING	724 32 19-05	C	SCREW
504 63 45-01	F	HOUSING	725 53 27-55	C	SCREW
504 63 46-01	F	SCREW	725 53 29-55	B	SCREW
505 09 54-01	F	HOSE KIT	725 53 41-55	C	SCREW
505 09 55-02	F	HOSE KIT	732 25 12-01	D	NUT
505 10 35-01	F	O-RING	735 31 08-20	D	E-RING
506 01 45-06	C	THROTTLE LOCKOUT	735 31 14-00	D	CIRCLIP
506 02 87-01	B	FLANGE WASHER	735 31 31-10	D	CIRCLIP
506 02 88-30	B	BUSHING	735 88 06-00	D	WOODRUFF KEY
506 03 06-02	A	BELT TENSIONER ASSY	738 22 01-25	D	BALL BEARING
506 03 32-02	A	SCREW	740 38 27-01	E	WASHER
506 07 09-01	B	FLANGE WASHER	740 38 34-01	E	WASHER
506 09 87-02	A	BELT GUARD	740 42 03-00	D	O-RING
506 10 95-02	E	HYDRAULIC HOSE	740 43 02-00	D	O-RING
506 10 96-21	E	QUICK COUPLING FEMALE	740 43 11-00	D	O-RING
506 10 98-21	E	QUICK COUPLING MALE			
506 11 03-01	D	O-RING			
506 11 05-01	D	BEARING			
506 13 95-11	A	WASHER			
506 13 96-01	A	COLLAR SCREW			
506 19 87-06	D	HYDRAULIC MOTOR			
506 20 16-02	C	HANDLE HALF			
506 20 18-01	A	SPACING SLEEVE			
506 20 27-02	D	SUPPORT FLANGE			
506 20 28-02	C	BELT GUARD			
506 20 29-03	C	FRONT HANDLE			
506 20 31-01	D	LEVER			
506 20 33-02	C	THROTTLE ROD			
506 20 34-03	C	THROTTLE TRIGGER			
506 20 36-02	C	CHASSIS			
506 20 38-01	D	SPRING			
506 21 59-01	D	VALVE SPINDLE			
506 21 60-01	D	VALVE SLEEVE			
506 21 80-01	D	VALVE CONE			
506 21 81-01	D	SPRING			
506 21 82-01	D	PLUNGE			
506 21 83-01	D	SPRING			
506 21 85-01	D	VALVE SEAT			
506 21 95-01	A	COMPRESSION SPRING			
506 23 09-03	D	HOUSING			
506 23 35-02	D	HOUSING			
506 26 63-02	B	LINING			
506 26 64-01	B	SCREEN PATTERN FLANG			

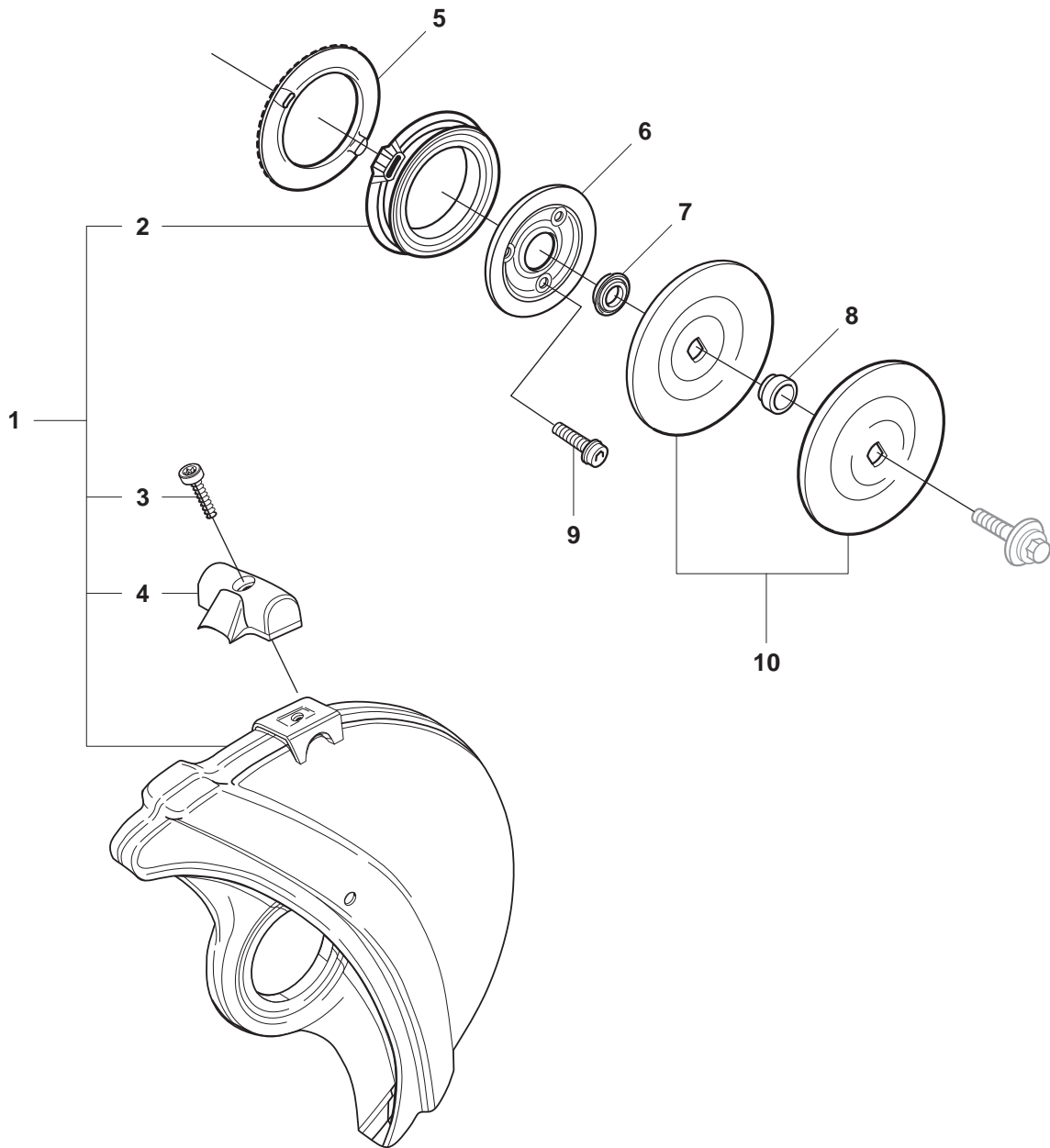
**A** K2500



**Page A**  
**K2500**

<b>Pos.</b>	<b>Part No.</b>	<b>Description</b>	<b>Quantity</b>	<b>Notes</b>	<b>New Part</b>
1	506 03 06-02	BELT TENSIONER ASSY	1	Incl. 2 - 4	
2	503 20 30-09	SCREW	1		
3	503 22 66-01	NUT	1		
4	506 21 95-01	COMPRESSION SPRING	1		
5	503 22 00-01	NUT FLANGE	2		
6	506 09 87-02	BELT GUARD	1		
7	503 20 00-45	SCREW COLLAR	1		
8	503 23 01-16	WASHER STEEL	1		New Part
9	544 97 63-03	BELT	1		New Part
10	544 98 50-01	PULLEY	1		New Part
11	503 23 01-04	WASHER STEEL	1		
12	506 40 43-02	BEARING HOUSING	1		
13	506 03 32-02	SCREW	2		
14	506 20 18-01	SPACING SLEEVE	1		
15	503 25 21-01	BALL BEARING	2		
16	506 28 84-01	SCREEN PATTERN FLANG	1		
17	503 20 02-12	SCREW	1		
18	506 29 83-71	SHAFT	1	Incl. 19, 20	
19	506 13 95-11	WASHER	1		New Part
20	506 13 96-01	COLLAR SCREW	1		New Part

**B** K2500



11 — 4300 rpm

400  
20

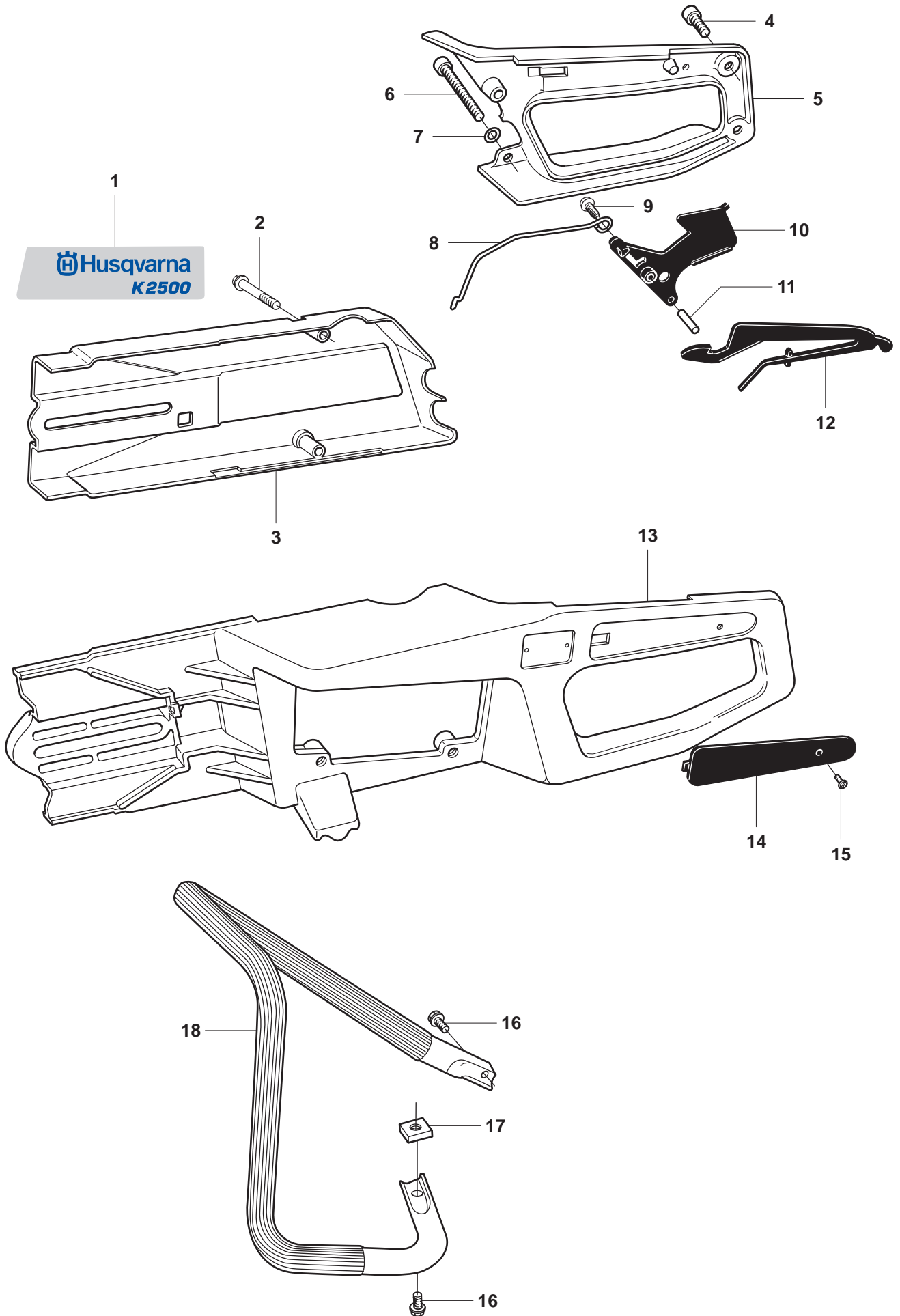
Husqvarna  
Made in Sweden

**Page B**  
**K2500**

<b>Pos.</b>	<b>Part No.</b>	<b>Description</b>	<b>Quantity</b>	<b>Notes</b>	<b>New Part</b>
1	506 34 05-46	WHEEL GUARD	1	Incl. 2 - 4	New Part
2	506 26 63-02	LINING	1		New Part
3	503 21 53-20	SCREW	1		
4	506 34 46-02	HANDLE	1		
5	506 26 64-01	SCREEN PATTERN FLANG	1		
6	506 26 65-01	FLANGE	1		
7	506 32 48-01	SUPPORT FLANGE	1		
8	506 37 96-20	BUSHING	1	Diam 20mm	
8	506 37 96-22	BUSHING	1	Diam 22,2mm	
8	506 37 96-25	BUSHING	1	Diam 25,4mm	
8	506 02 88-30	BUSHING	1	Diam 30,5mm	
9	725 53 29-55	SCREW	1		
10	506 02 87-01	FLANGE WASHER	1	Diam 105mm	
10	506 07 09-01	FLANGE WASHER	1	Diam 119mm	
11	506 28 41-22	LABEL	1	Diam 20mm	
11	506 28 41-24	LABEL	1	Diam 25,4mm	

**C** K2500

 **Husqvarna**  
K2500

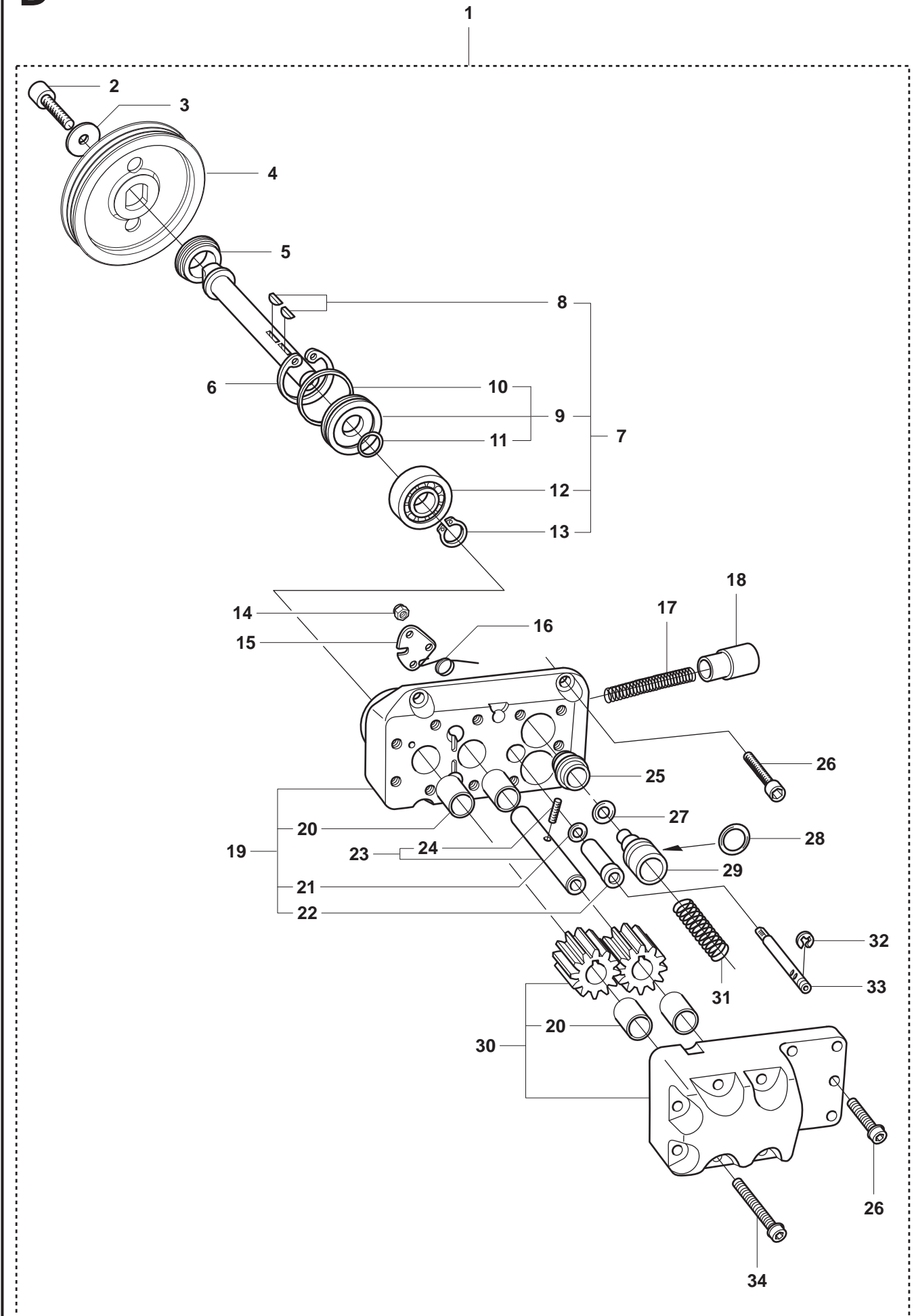




**Page C**  
**K2500**

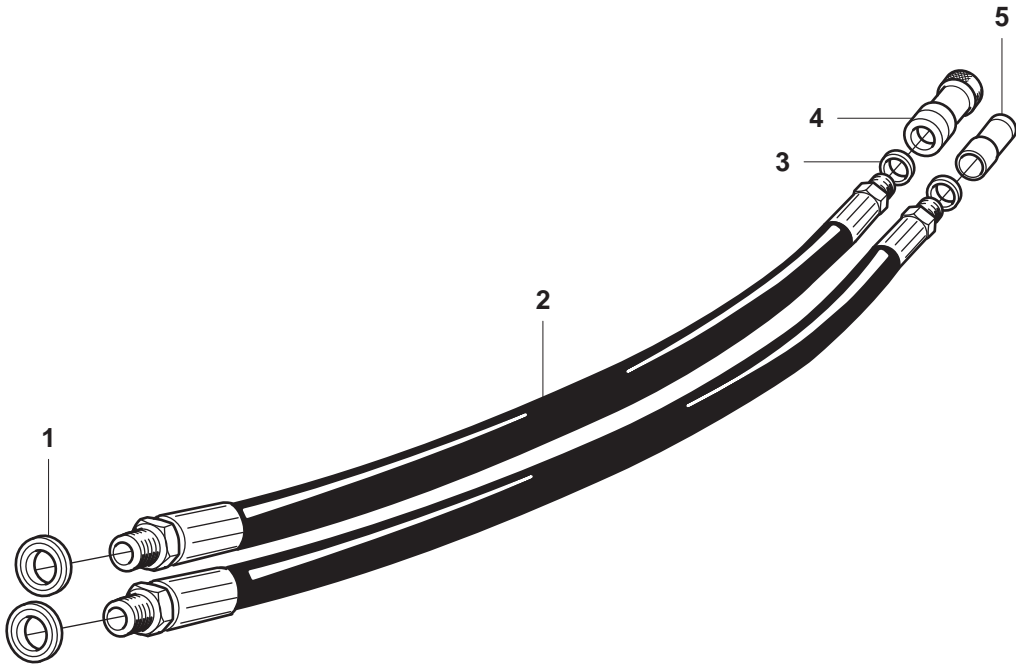
<b>Pos.</b>	<b>Part No.</b>	<b>Description</b>	<b>Quantity</b>	<b>Notes</b>	<b>New Part</b>
1	544 87 27-01	LABLE	1		New Part
2	503 20 02-40	SCREW	2		
3	506 20 28-02	BELT GUARD	1		
4	725 53 27-55	SCREW	2		
5	506 20 16-02	HANDLE HALF	1		
6	725 53 41-55	SCREW	1		
7	503 23 04-02	WASHER	1		
8	506 20 33-02	THROTTLE ROD	1		New Part
9	503 21 28-10	SCREW	1		
10	506 20 34-03	THROTTLE TRIGGER	1		
11	720 13 10-00	PIN	1		
12	506 01 45-06	THROTTLE LOCKOUT	1		
13	506 20 36-02	CHASSIS	1		
14	501 62 89-09	HANDLE INSERT	2		
15	724 32 19-05	SCREW	2		
16	503 20 02-16	SCREW	2		
17	503 22 65-04	NUT	1		
18	506 20 29-03	FRONT HANDLE	1		

**D** K2500



**Page D**  
**K2500**

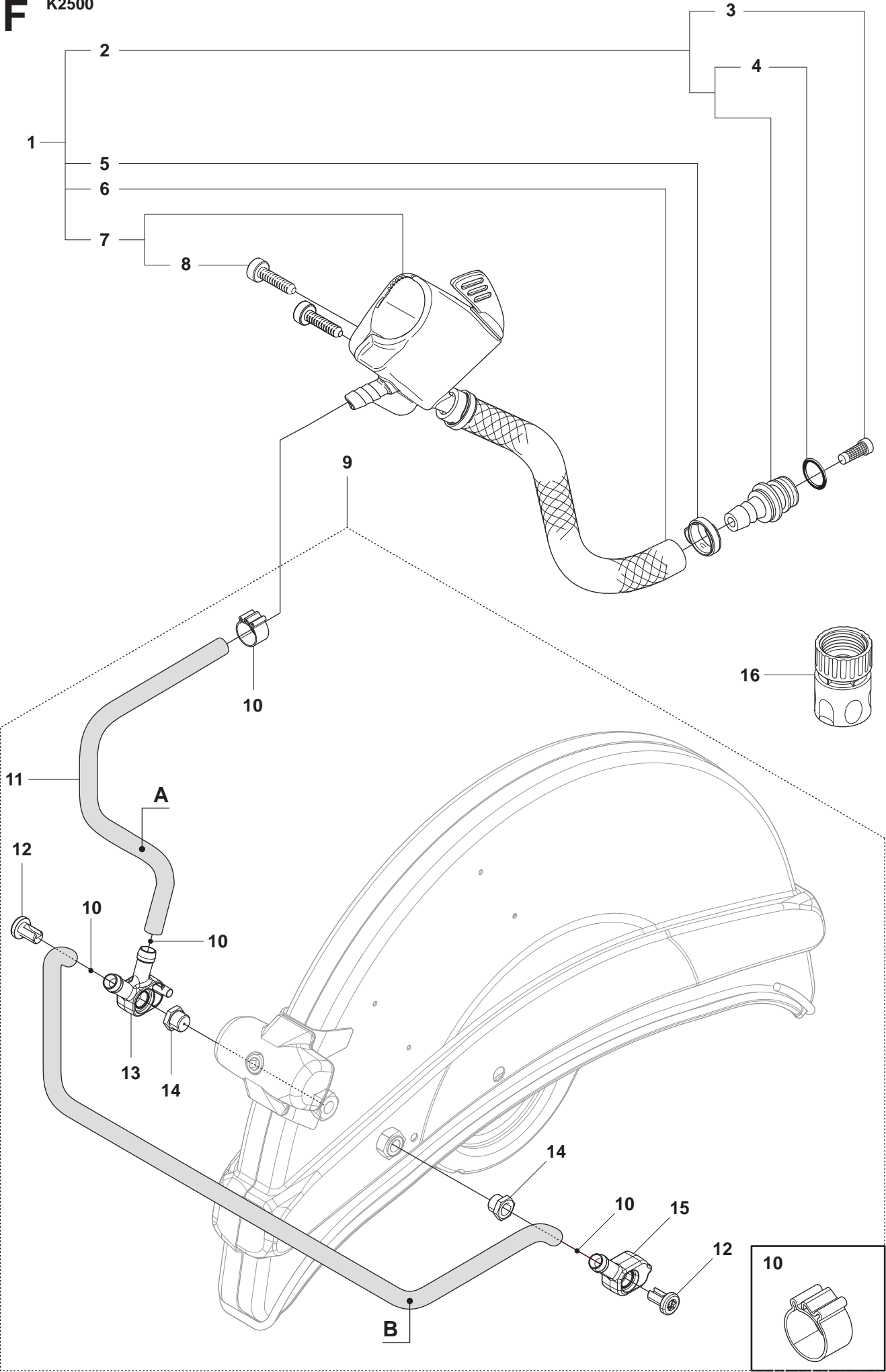
Pos.	Part No.	Description	Quantity	Notes	New Part
1	506 19 87-06	HYDRAULIC MOTOR	1	Incl. 2 - 34	
2	503 20 13-30	SCREW	1		
3	503 23 00-24	WASHER STEEL	1		
4	544 98 09-01	PULLEY	1		New Part
5	506 20 27-02	SUPPORT FLANGE	1		
6	735 31 31-10	CIRCLIP	1		
7	506 34 67-15	SHAFT KIT	1	Incl. 8, 9, 12, 13	New Part
8	735 88 06-00	WOODRUFF KEY	2		
9	506 30 11-14	SEALING	1	Incl. 10, 11	New Part
10	506 11 03-01	O-RING	1		
11	503 26 30-28	O-RING	1		New Part
12	738 22 01-25	BALL BEARING	1		
13	735 31 14-00	CIRCLIP	1		
14	732 25 12-01	NUT	1		
15	506 20 31-01	LEVER	1		
16	506 20 38-01	SPRING	1		
17	506 21 83-01	SPRING	1		
18	506 21 82-01	PLUNGE	1		
19	506 23 35-02	HOUSING	1	Incl. 20 - 22	New Part
20	506 11 05-01	BEARING	4		
21	740 43 02-00	O-RING	1		
22	506 21 60-01	VALVE SLEEVE	1		
23	506 32 00-02	SHAFT	1	Incl. 23	
24	503 240 7-01	PIN	1		
25	506 21 85-01	VALVE SEAT	1		
26	503 20 02-20	SCREW	9		
27	740 42 03-00	O-RING	1		
28	740 43 11-00	O-RING	1		
29	506 21 80-01	VALVE CONE	1		
30	506 23 09-03	HOUSING	2	Incl. 20	
31	506 21 81-01	SPRING	1		
32	735 31 08-20	E-RING	1		
33	506 21 59-01	VALVE SPINDLE	1		
34	503 20 02-45	SCREW	6		



**Page E**  
**K2500**

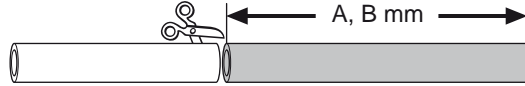
<b>Pos.</b>	<b>Part No.</b>	<b>Description</b>	<b>Quantity</b>	<b>Notes</b>	<b>New Part</b>
1	740 38 27-01	WASHER	2		
2	506 10 95-02	HYDRAULIC HOSE	2		
3	740 38 34-01	WASHER	2		
4	506 10 96-21	QUICK COUPLING FEMALE	1		
5	506 10 98-21	QUICK COUPLING MALE	1		

**F** K2500



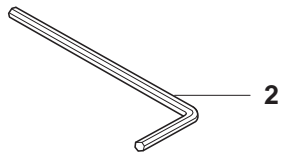
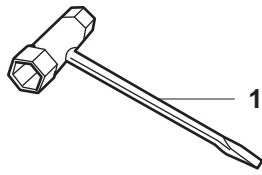
**Page F**  
**K2500**

Pos.	Part No.	Description	Quantity	Notes	New Part
1	505 09 55-02	HOSE KIT	1	Incl. 2, 5 - 7	New Part
2	506 29 57-02	NIPPLE	1	Incl. 3, 4	
3	506 29 88-01	FILTER	1		
4	505 10 35-01	O-RING	1		New Part
5	506 49 87-02	HOSE CLAMP	1		New Part
6	506 60 75-01	HOSE	1	L=230 mm	New Part
7	506 31 77-31	VALVE ASSY	1	Incl. 8	
8	503 21 06-19	SCREW	2		
9	505 09 54-01	HOSE KIT	1	Incl. 10 - 15	New Part
10	506 49 87-01	HOSE CLAMP	4		New Part
11	506 60 68-66	HOSE	1	L=720 mm	New Part
12	504 63 46-01	SCREW	2		New Part
13	504 63 44-01	HOUSING	1		New Part
14	504 63 42-01	NIPPLE	2		New Part
15	504 63 45-01	HOUSING	1		New Part
16	503 26 60-03	COUPLER	1	USA	New Part
16	503 26 60-04	COUPLER	1		New Part



	A (mm)	B (mm)
<b>K2500 16"</b>	320	230

**G** K2500  
Accessories  
Zubehöre  
Accessoires  
Acessorios  
Tillbehör





**Page G**  
**K2500**

<b>Pos.</b>	<b>Part No.</b>	<b>Description</b>	<b>Quantity</b>	<b>Notes</b>	<b>New Part</b>
1	501 69 17-02	COMBINATION TOOL	1		
2	502 21 58-01	L-NYCKEL	1		