

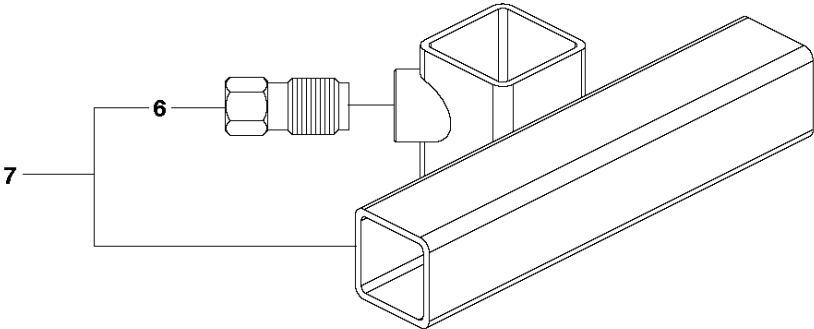
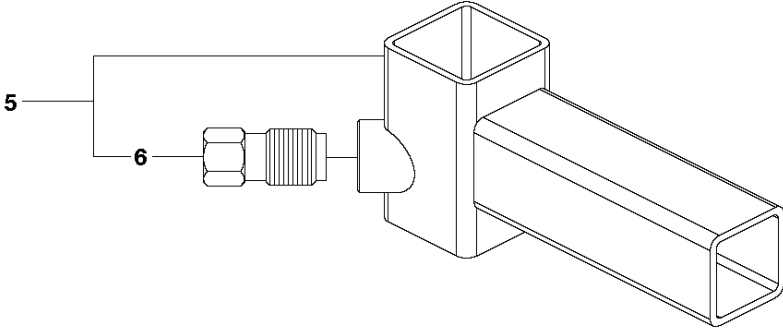
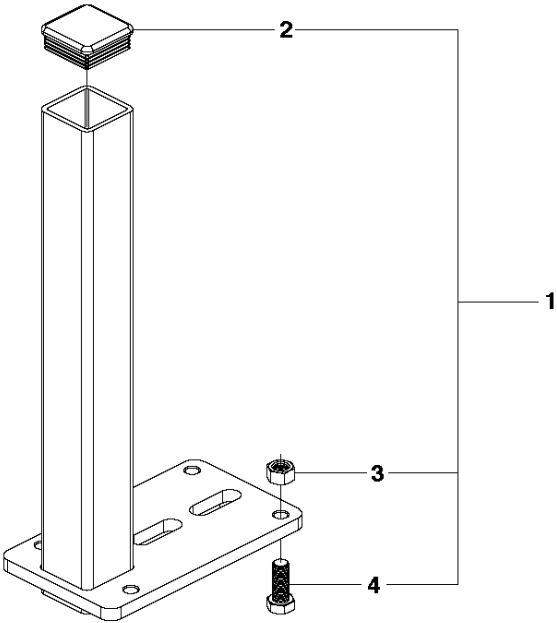


# SPARE PARTS LIST

WIRE SAWS

CS10 ACCESSORIES, 2015-06

**F** CS ACCESSORIES  
BRACKETS

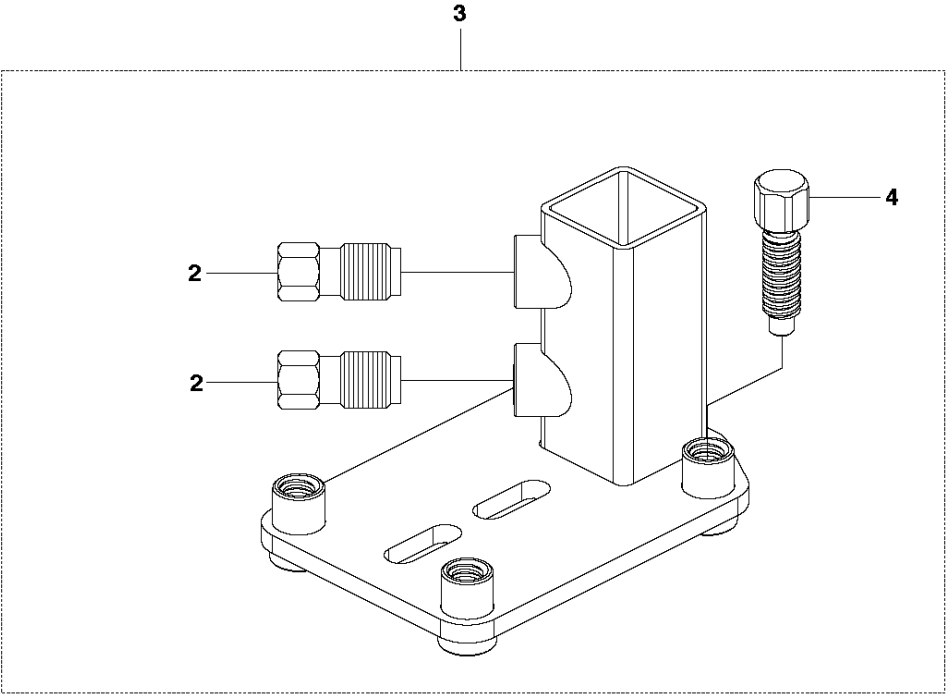
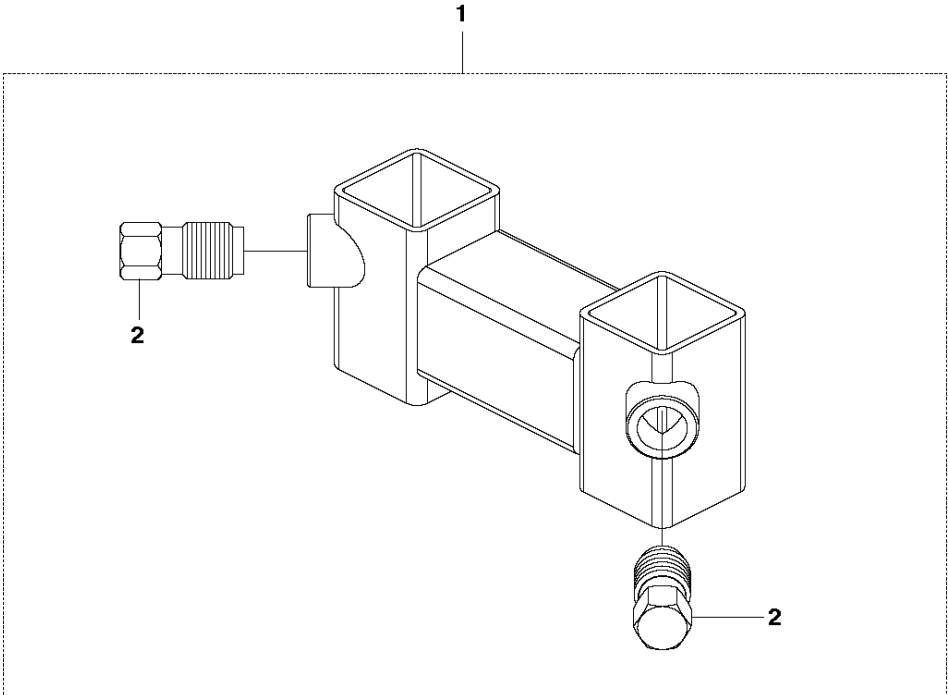


BRACKETS

CS10 ACCESSORIES, 2015-06

Ref	Part No	Description	Remark	QTY KIT
1	586 53 72-01	BRACKET	incl. 2-4	1
2	531 14 06-64	PLUG		1
3	731 23 22-01	HEXAGON NUT		4
4	531 11 92-03	SCREW		4
5	586 54 21-01	ANGLE BRACKET	incl. 6	1
6	544 06 97-01	SCREW		2
7	587 44 33-01	ANGLE BRACKET	incl. 6	1

**G** CS ACCESSORIES  
BRACKETS

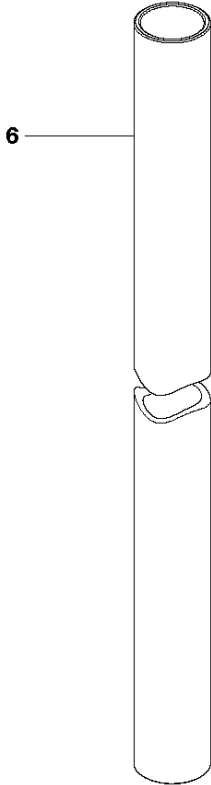
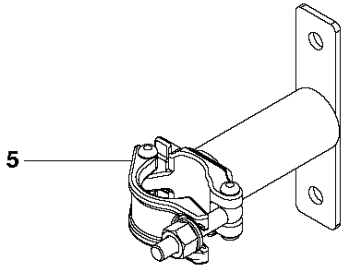
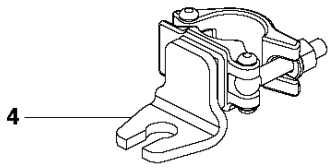
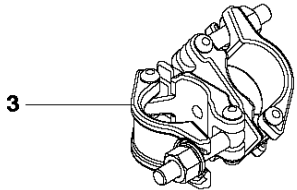
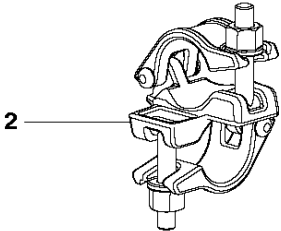
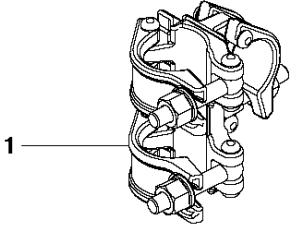


BRACKETS

CS10 ACCESSORIES, 2015-06

Ref	Part No	Description	Remark	QTY KIT
1	586 53 92-01	BRACKET	incl. 2	1
2	544 06 97-01	SCREW		4
3	586 54 17-01	BASEPLATE	incl. 2, 4	1
4	586 54 16-01	ADJUSTING SCREW		4

**M** CS ACCESSORIES  
COUPLING ROUND TUBE

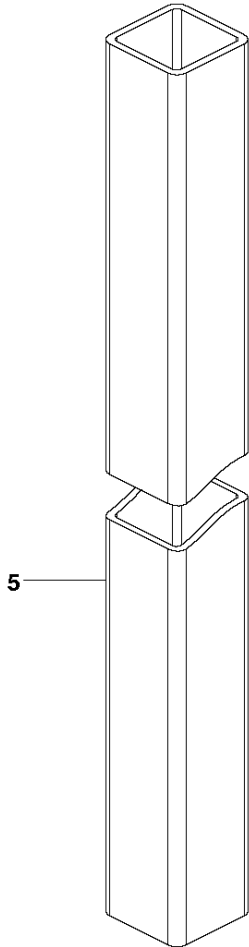
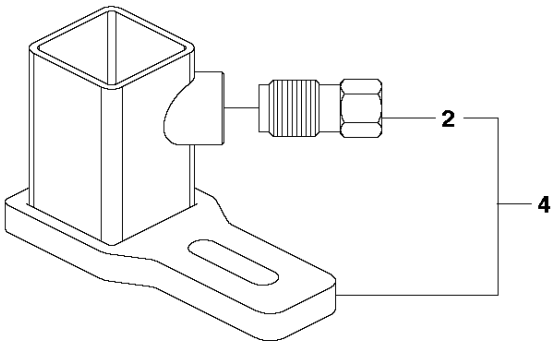
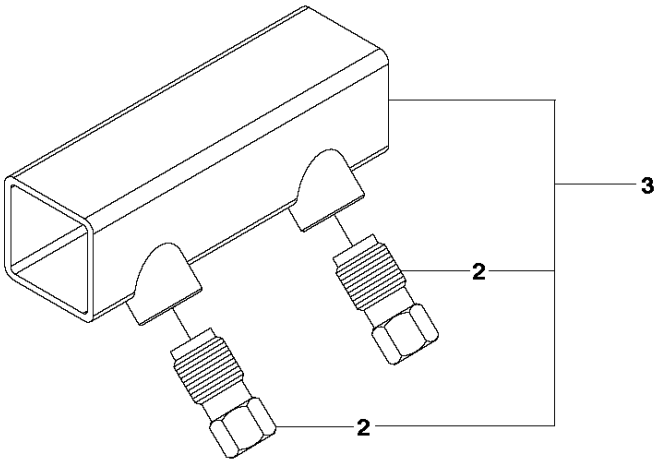
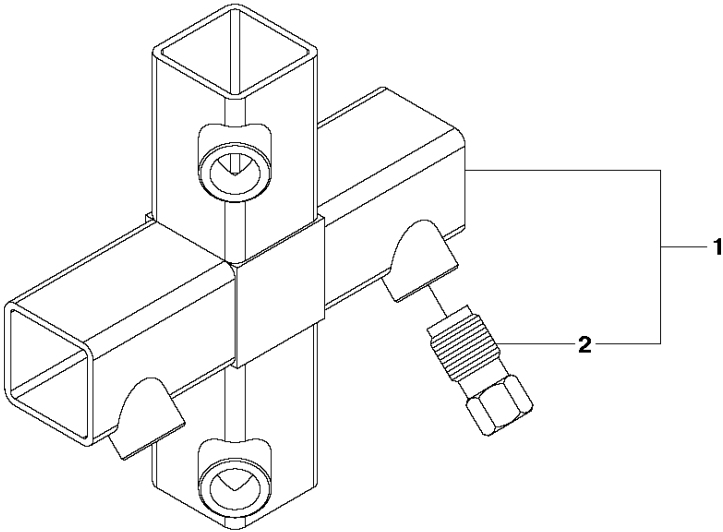


## COUPLING ROUND TUBE

CS10 ACCESSORIES, 2015-06

Ref	Part No	Description	Remark	QTY KIT
3	522 80 99-01	COUPLING	Swiveling	1
1	531 11 44-60	DOUBBLE CLAMP		1
6	531 11 44-72	PIPE 48.3X250MM	0,25 m	1
2	531 11 95-71	CLAMP	90°	1
6	531 11 95-80	PIPE 48.3 X 3 METER	3 m	1
6	531 12 06-41	PIPE 48.3X1M	1 m	1
6	531 12 06-42	PIPE 48.3X2M	2 m	1
4	584 25 38-01	BRACKET		1
5	584 25 93-01	BRACKET		1

**K** CS ACCESSORIES  
JOINTING SLEEVE, SQUARE TUBE



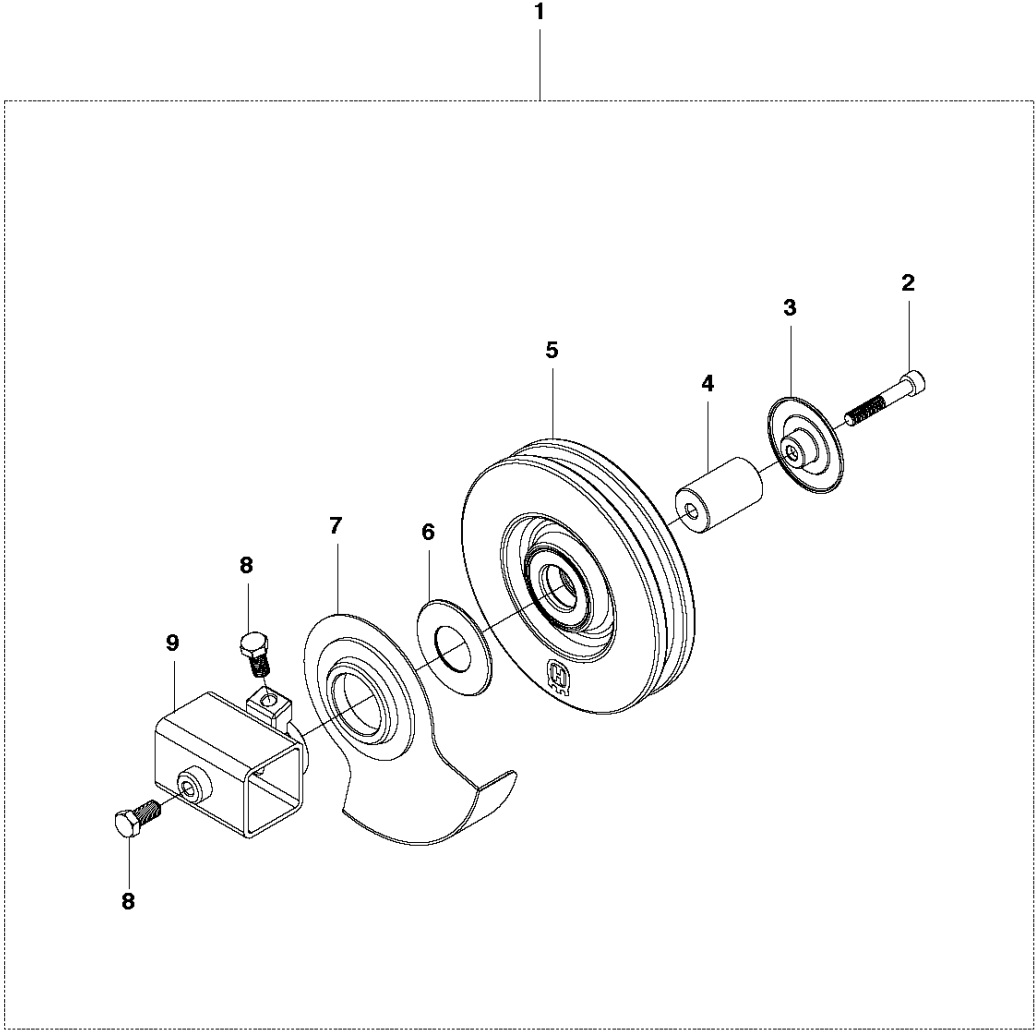


## JOINTING SLEEVE &amp; SQUARE TUBE

CS10 ACCESSORIES, 2015-06

Ref	Part No	Description	Remark	QTY KIT
1	585 64 05-01	JOINTING SLEEVE	incl. 2	1
2	544 06 97-01	SCREW		7
3	585 64 30-01	JOINTING SLEEVE	incl. 2	1
4	585 64 19-01	FOOTPLATE	incl. 2	1
5	576 29 35-01	BEAM	1,15 m	1
5	587 46 69-01	TUBE	2 m	1

**A** CS ACCESSORIES  
OFFSET PULLEY

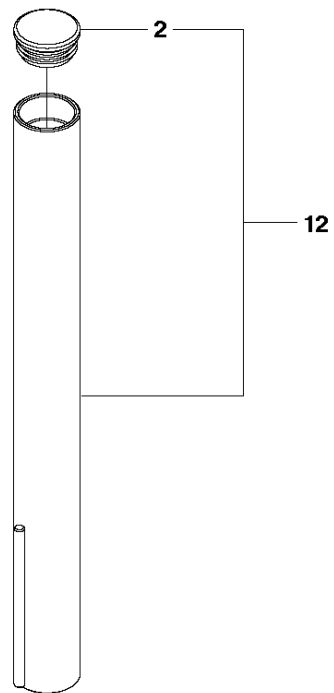
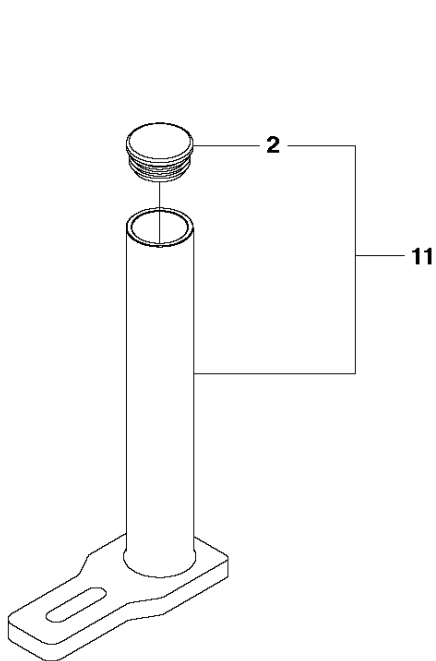
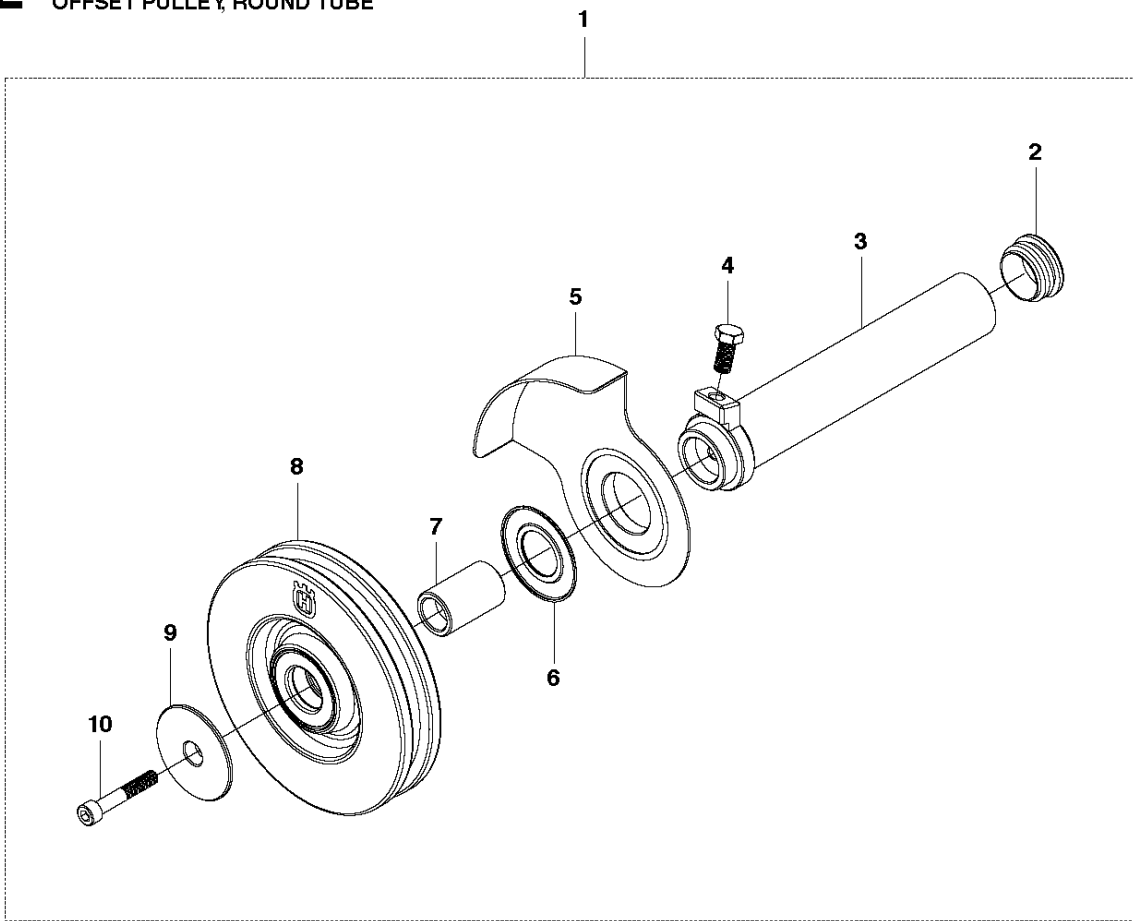


OFFSET PULLEY

CS10 ACCESSORIES, 2015-06

Ref	Part No	Description	Remark	QTY KIT
1	586 53 67-01	OFFSET PULLEY	incl. 2-9	1
2	725 55 03-51	SCREW IHSCM		1
3	586 53 65-01	COVER LID		1
4	586 53 64-01	SHAFT		1
5	579 65 98-01	PULLEY ASSY		1
6	576 31 44-01	COVER LID		1
7	576 36 52-01	WHEEL COVER		1
8	531 11 92-02	SCREW		2
9	588 07 43-01	WHEEL BRACKET		1

**L** CS ACCESSORIES  
OFFSET PULLEY ROUND TUBE

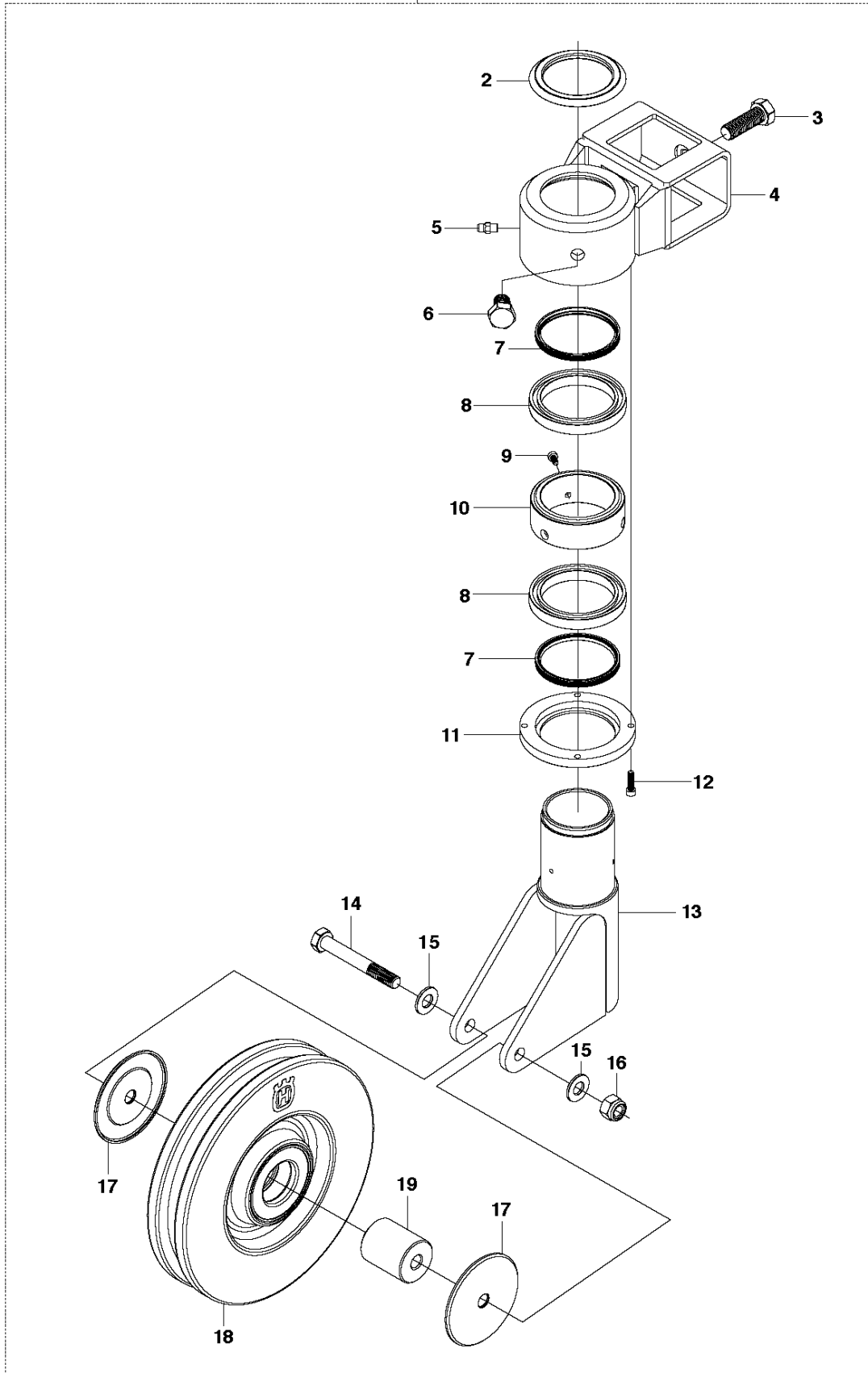


OFFSET PULLEY & ROUND TUBE

CS10 ACCESSORIES, 2015-06

Ref	Part No	Description	Remark	QTY KIT
1	586 53 87-01	OFFSET PULLEY	incl. 2-10	1
2	531 11 95-70	PLUG		3
3	586 53 85-01	SHAFT EXTENSION		1
4	531 11 92-02	SCREW		1
5	576 36 52-01	WHEEL COVER		1
6	576 31 44-01	COVER LID		1
7	586 53 64-01	SHAFT		1
8	579 65 98-01	PULLEY ASSY		1
9	586 53 65-01	COVER LID		1
10	725 55 03-51	SCREW IHSCM		1
11	586 87 00-01	ANCHOR PLATE	incl. 2	1
12	531 11 44-71	COLUMN	incl. 2	1

**D** CS ACCESSORIES  
PIVOT WHEEL ASSY WITH BALL BEARINGS 1

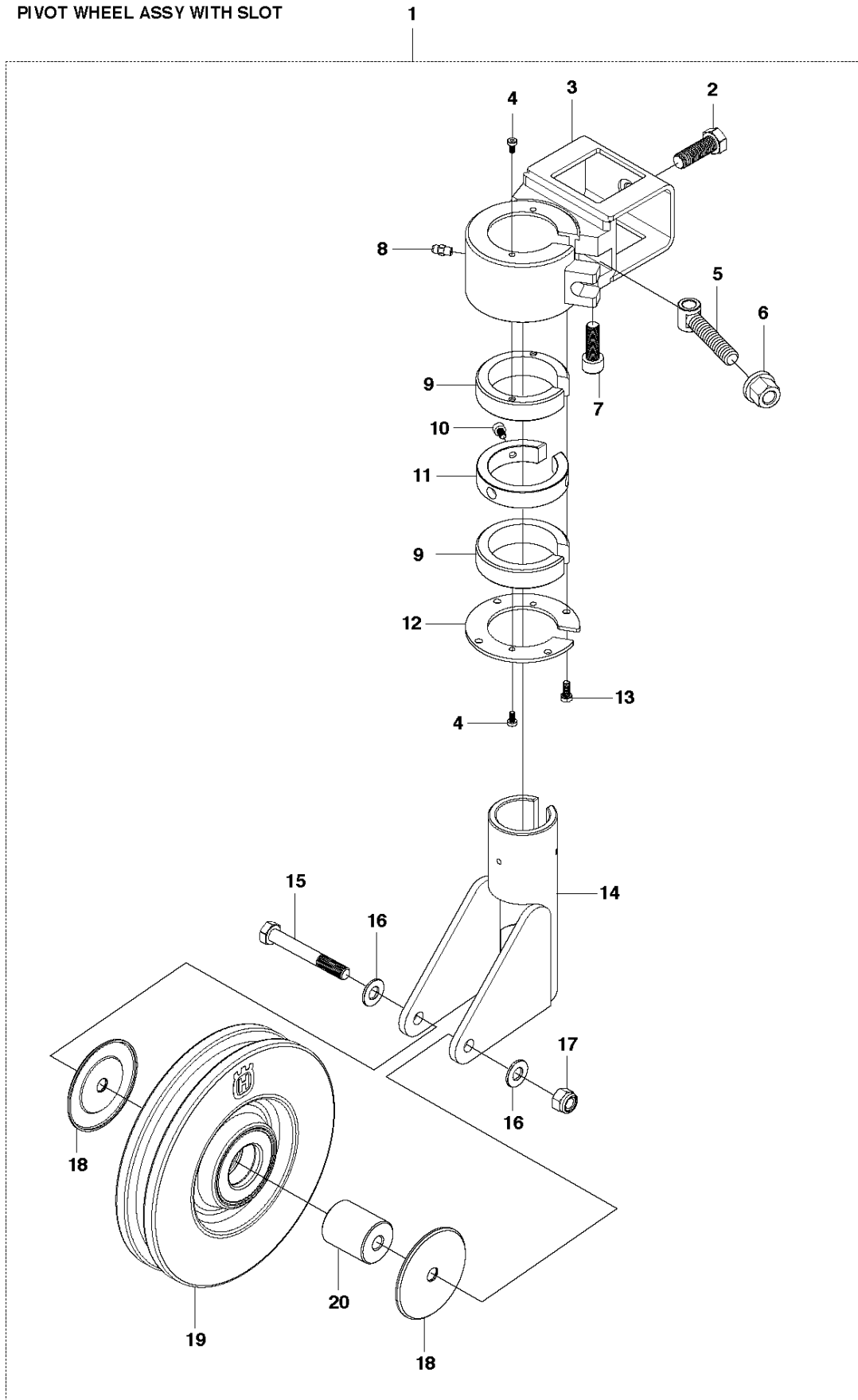


## PIVOT WHEEL ASSY WITH BALL BEARINGS

CS10 ACCESSORIES, 2015-06

Ref	Part No	Description	Remark	QTY KIT
1	586 53 58-01	PIVOT WHEEL ASSY	incl. 2-19	1
2	584 96 58-01	SEALING RING		1
3	531 11 92-05	SCREW		1
4	588 07 46-01	BRACKET		1
5	577 40 11-01	GREASE		1
6	531 11 95-12	SCREW		1
7	581 53 96-01	RADIAL SEAL		2
8	584 96 56-01	BEARING		2
9	531 11 93-88	SCREW		3
10	581 53 95-01	RING		1
11	581 53 94-01	COVER		1
12	579 25 51-01	SCREW IHSCFMO		4
13	581 53 93-01	FORK		1
14	531 11 92-01	SCREW		1
15	531 11 91-81	WASHER		2
16	732 25 20-01	HEXAGON LOCKING NUT		1
17	576 31 42-01	COVER LID		2
18	579 65 98-01	PULLEY ASSY		1
19	577 01 73-01	SHAFT		1

**C** CS ACCESSORIES  
PIVOT WHEEL ASSY WITH SLOT



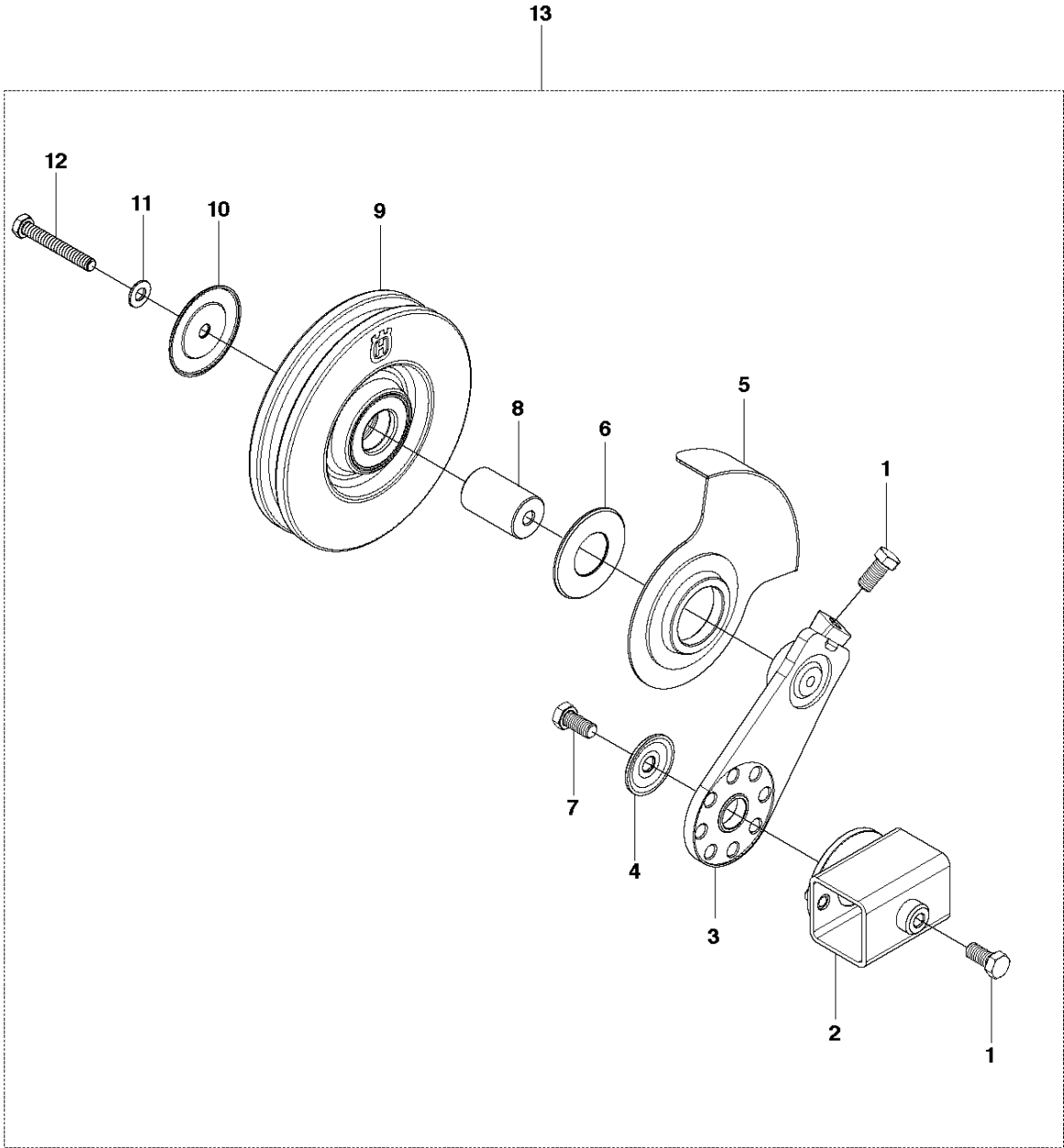


## PIVOT WHEEL ASSY WITH SLOT

CS10 ACCESSORIES, 2015-06

Ref	Part No	Description	Remark	QTY KIT
1	586 53 84-01	PIVOT WHEEL ASSY	incl. 2-20	1
2	531 11 92-05	SCREW		1
3	588 07 49-01	BRACKET		1
4	531 11 93-88	SCREW		4
5	586 53 80-01	LOCKING SCREW		1
6	577 31 53-01	NUT		1
7	725 54 95-01	SCREW IHSCM		1
8	577 40 11-01	GREASE		1
9	577 01 70-01	BEARING		2
10	725 53 23-01	SCREW IHSCM		3
11	577 01 71-01	RING		1
12	586 53 83-01	COVER LID		1
13	531 11 92-08	SCREW		4
14	577 01 69-01	FORK		1
15	531 11 92-01	SCREW		1
16	531 11 91-81	WASHER		2
17	732 25 20-01	HEXAGON LOCKING NUT		1
18	576 31 42-01	COVER LID		2
19	579 65 98-01	PULLEY ASSY		1
20	577 01 73-01	SHAFT		1

**B** CS ACCESSORIES  
PULLEY ASSY

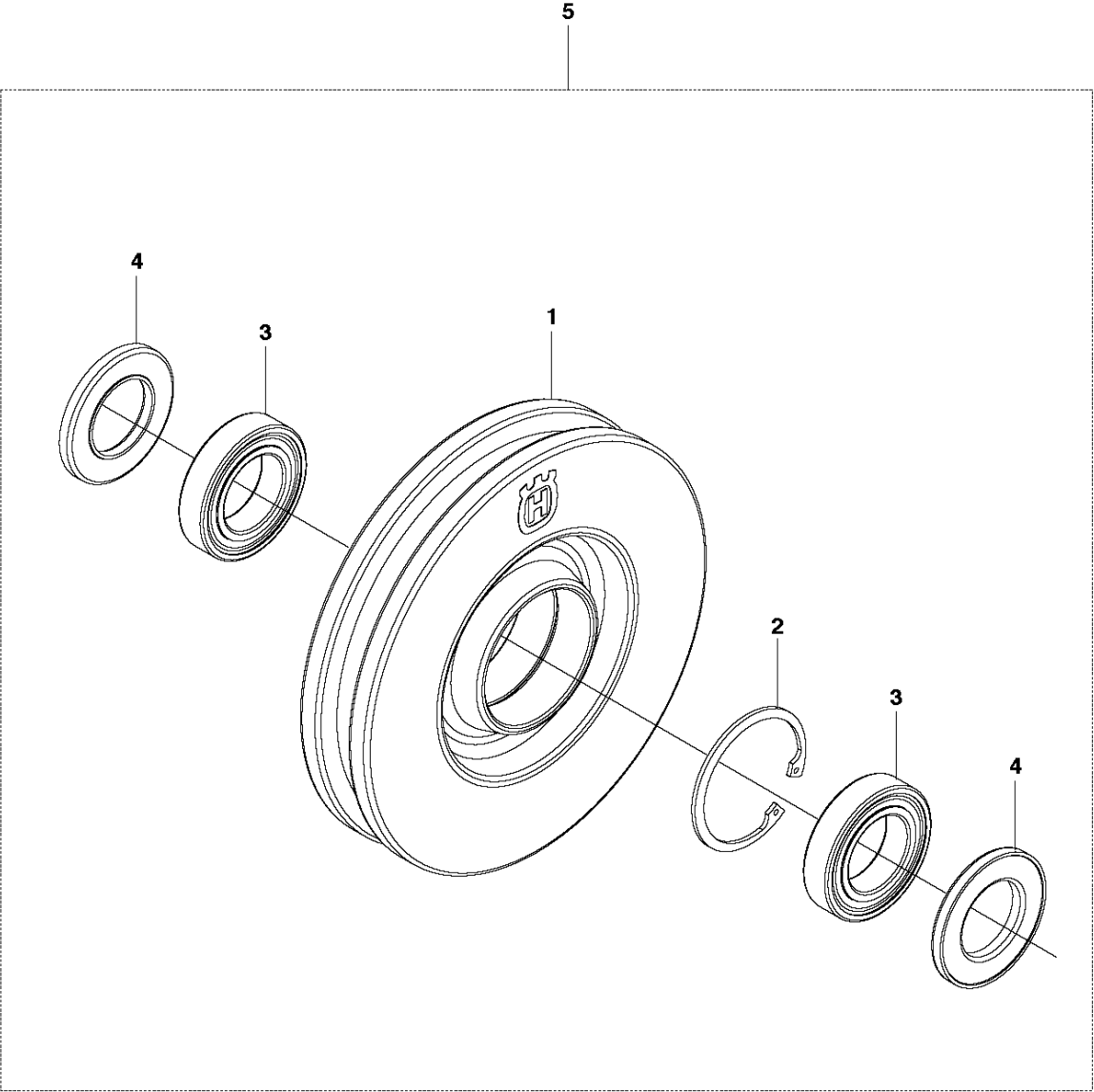


## PULLEY ASSY

CS10 ACCESSORIES, 2015-06

Ref	Part No	Description	Remark	QTY KIT
1	531 11 92-02	SCREW		2
2	581 11 87-01	BRACKET		1
3	581 11 88-01	ARM		1
4	581 11 89-01	WASHER		1
5	576 36 52-01	WHEEL COVER		1
6	576 31 44-01	COVER LID		1
7	725 25 32-71	SCREW EHHM		1
8	576 31 41-01	SHAFT		1
9	579 65 98-01	PULLEY ASSY		1
10	576 31 42-01	COVER LID		1
11	531 11 91-81	WASHER		1
12	725 25 05-71	SCREW EHHM		1
13	581 31 59-01	PULLEY ASSY	incl. 1-12	1

**E** CS ACCESSORIES  
PULLEY ASSY



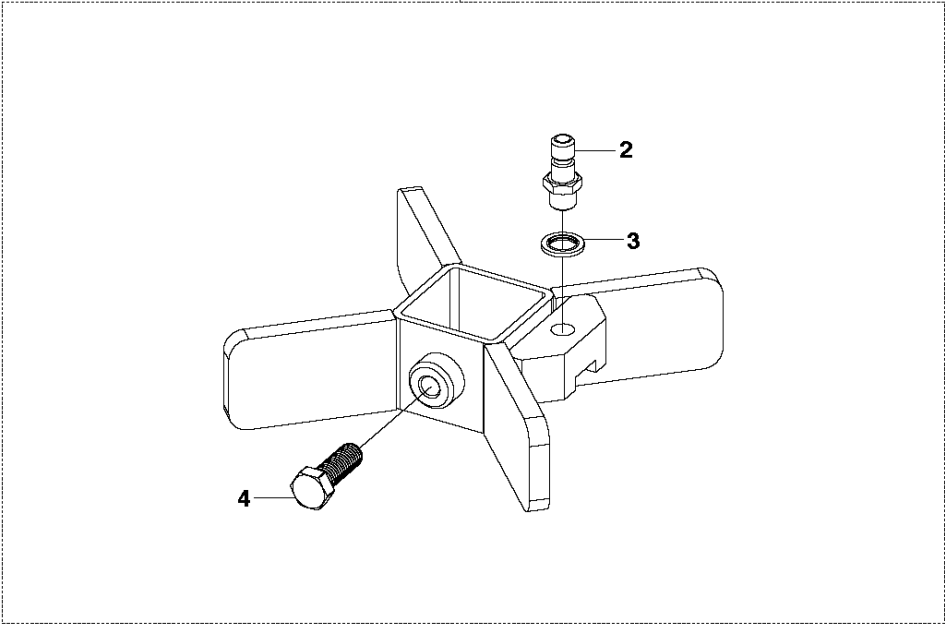
## PULLEY ASSY

CS10 ACCESSORIES, 2015-06

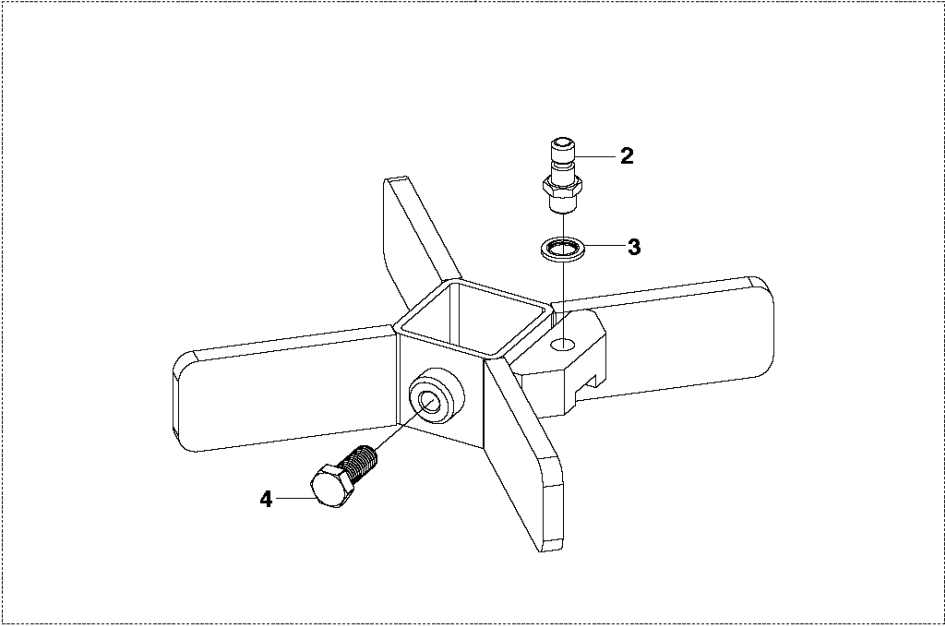
Ref	Part No	Description	Remark	QTY KIT
1	579 40 24-01	WHEEL		1
2	576 61 51-01	CLIP		1
3	738 21 07-04	BALL BEARING		2
4	576 61 43-01	DUST SEAL		2
5	579 65 98-01	PULLEY ASSY	incl. 1-4	1

**J** CS ACCESSORIES  
SUPPORT

1



5



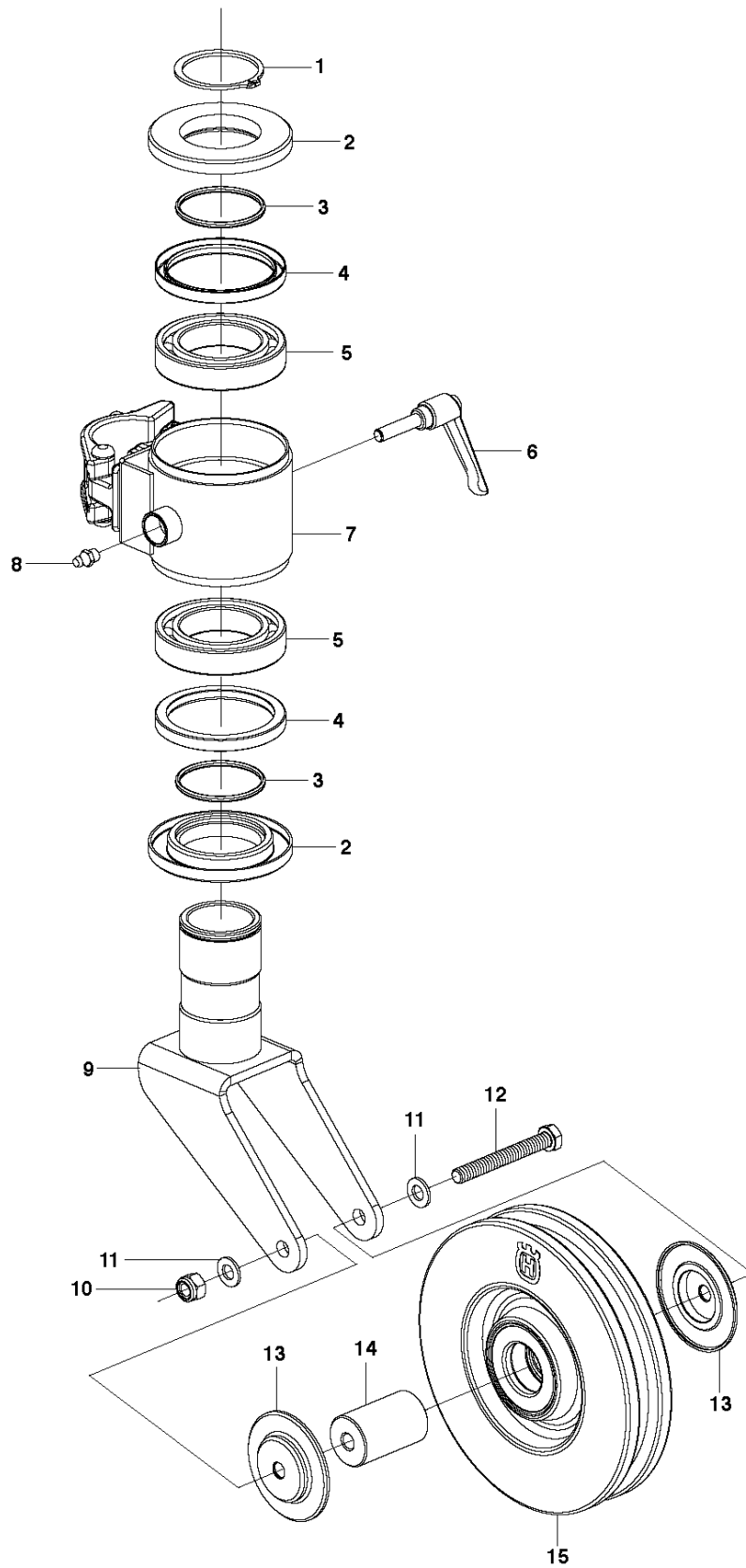
## SUPPORT

CS10 ACCESSORIES, 2015-06

Ref	Part No	Description	Remark	QTY KIT
1	586 54 08-01	SUPPORT ASSY	For Ø 250 mm incl. 2-4	1
2	505 53 80-01	QUICK COUPLING		2
3	740 38 27-01	SEALING WASHER		2
4	531 11 92-03	SCREW		2
5	586 54 05-01	SUPPORT ASSY	For Ø 300 mm incl. 2-4	1

**P** CS ACCESSORIES  
SWIVEL PULLEY, BALL BEARING, ROUND TUBE

16

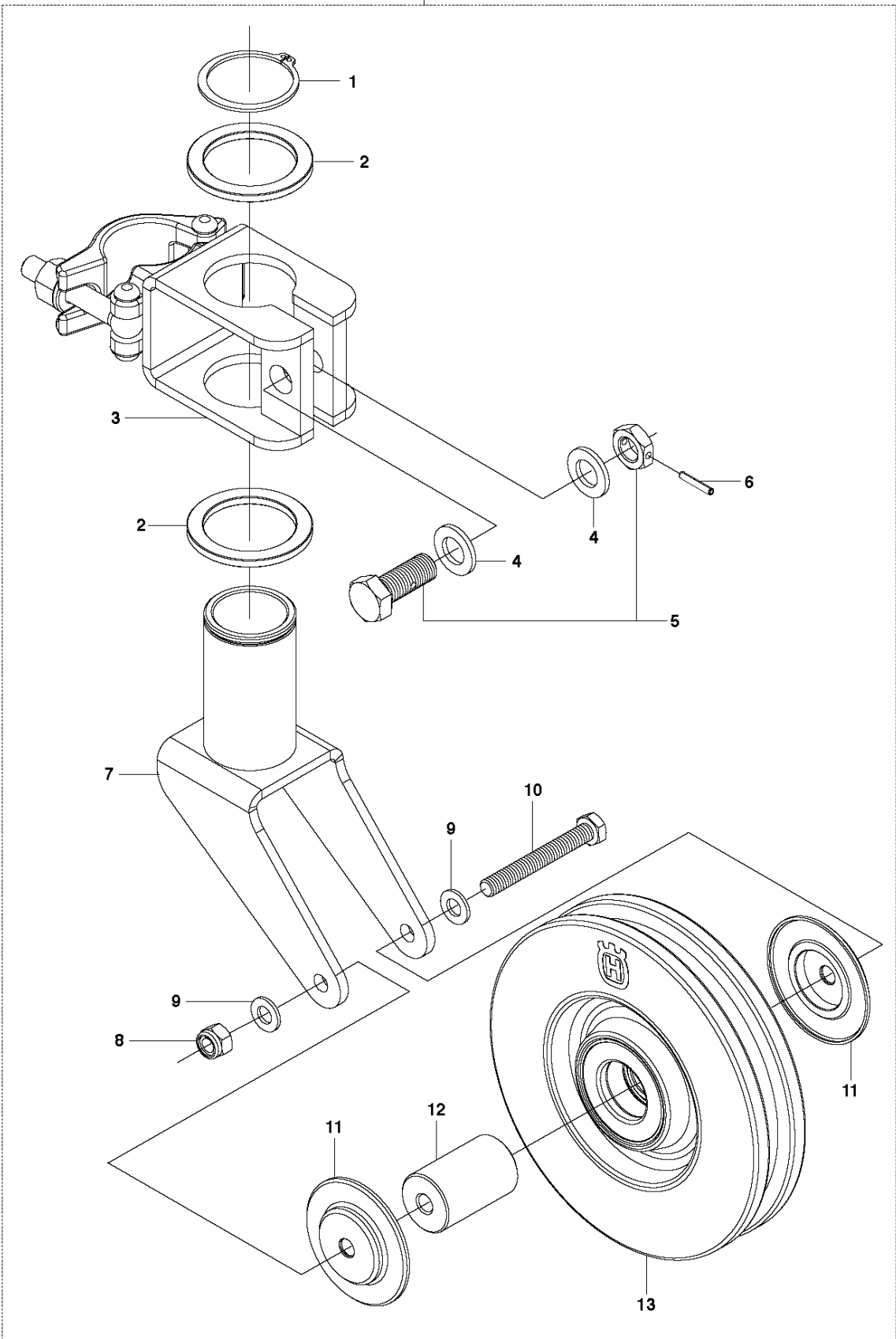




Ref	Part No	Description	Remark	QTY KIT
1	735 31 42-00	CIRCLIP		1
2	531 12 05-87	COVER		2
3	740 44 16-00	O-RING		2
4	531 11 95-45	SHAFT SEAL BA 65X80X8		2
5	738 21 10-00	BEARING		2
6	531 11 95-77	LOCKING HANDLE		1
7	531 12 05-80	HOUSING		1
8	531 11 95-21	GREASE		1
9	531 12 05-85	FORK		1
10	732 25 20-01	HEXAGON LOCKING NUT		1
11	531 11 91-81	WASHER		2
12	725 25 09-51	SCREW EHHM		1
13	576 31 47-01	COVER LID		2
14	576 31 41-01	SHAFT		1
15	579 65 98-01	PULLEY ASSY		1
16	531 11 44-67	SWIVEL PULLEY WITH BEARINGS	incl. 1-15	1

**N** CS ACCESSORIES  
SWIVEL PULLEY, SLIDING, ROUND TUBE

14

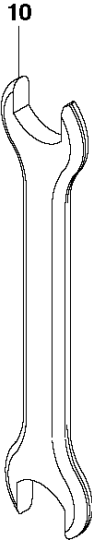
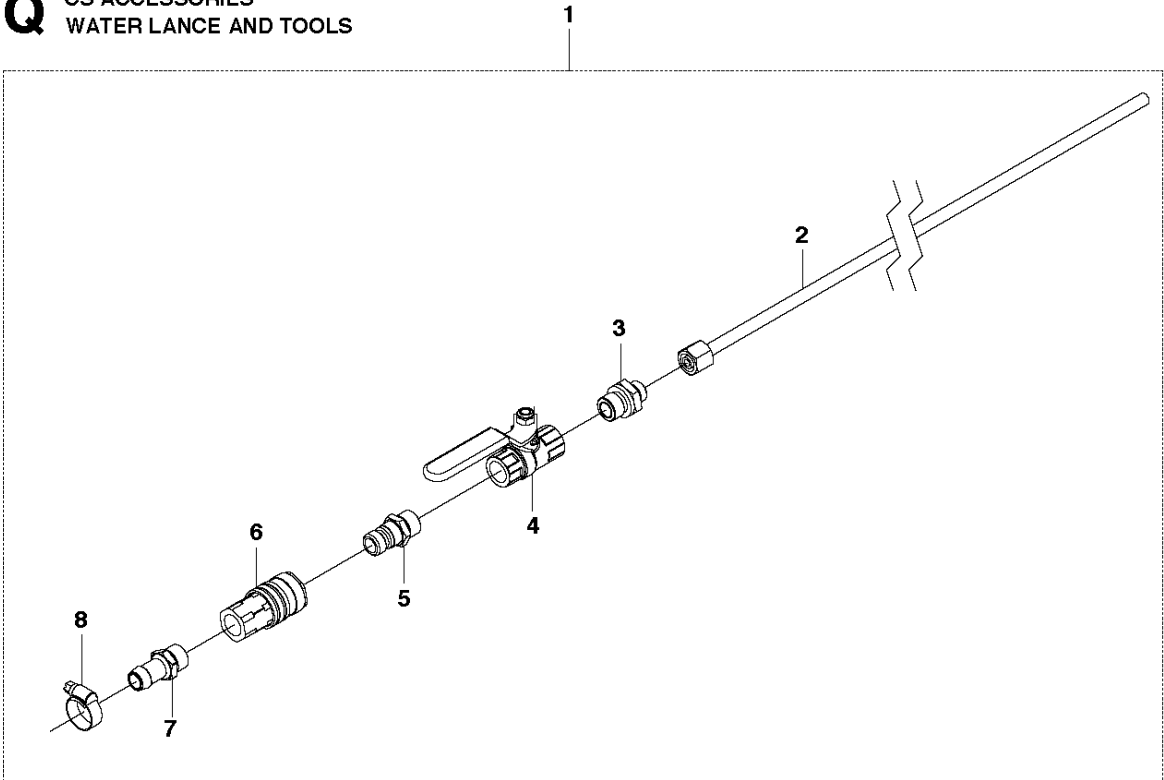


## SWIVEL PULLEY &amp; SLIDING &amp; ROUND TUBE

CS10 ACCESSORIES, 2015-06

Ref	Part No	Description	Remark	QTY KIT
1	735 31 42-00	CIRCLIP		1
2	531 12 05-77	DISTANCE		2
3	531 12 05-70	CLAMP		1
4	531 11 94-75	CUP		2
5	531 11 44-76	Screw with nut M14		1
6	721 42 58-00	SPRING PIN		1
7	531 12 05-74	FORK		1
8	732 25 20-01	HEXAGON LOCKING NUT		1
9	531 11 91-81	WASHER		2
10	725 25 09-51	SCREW EHHM		1
11	576 31 47-01	COVER LID		2
12	576 31 41-01	SHAFT		1
13	579 65 98-01	PULLEY ASSY		1
14	531 11 44-69	SWIVEL PULLEY SLIDING	incl. 1-13	1

**Q** CS ACCESSORIES  
WATER LANCE AND TOOLS

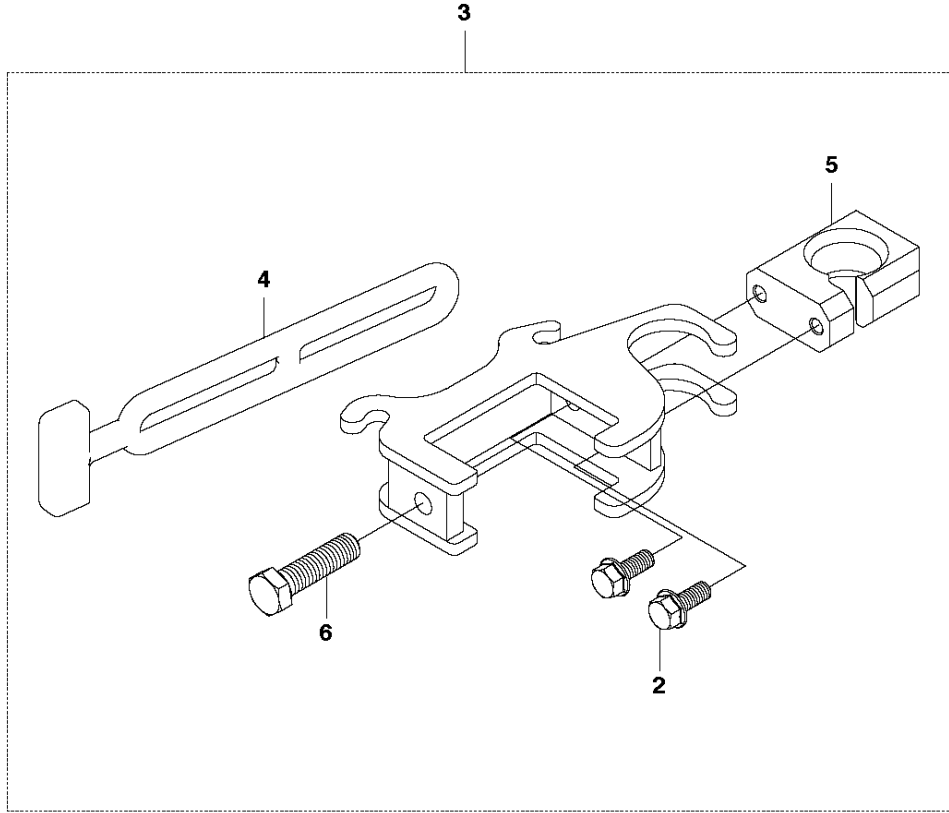
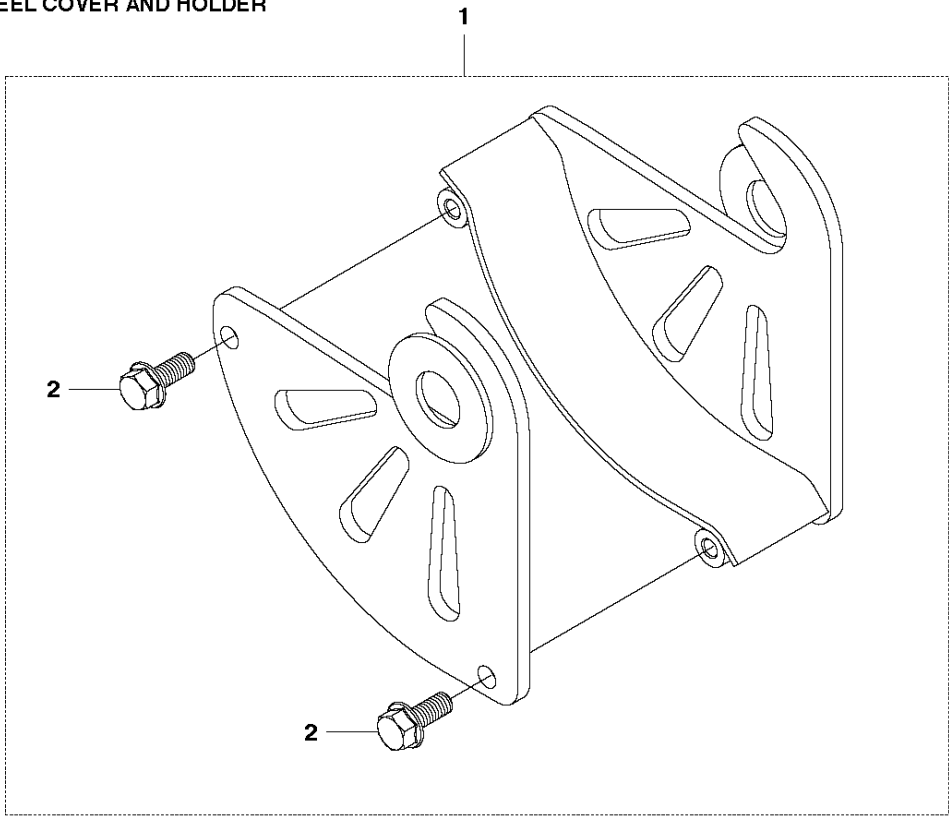


## WATER LANCE &amp; TOOLS

CS10 ACCESSORIES, 2015-06

Ref	Part No	Description	Remark	QTY KIT
1	531 12 15-25	EXTENDED WATER NOZZLE	incl. 2-8	1
2	531 11 44-68	Water nozzle		1
3	531 11 82-08	HYDRAULIC COUPLING GE 0		1
4	531 11 80-18	BALL		1
5	531 11 80-06	NIPPLE		1
6	531 11 80-03	HYDRAULIC COUPLING FEMA		1
7	531 11 80-05	NIPPLE		1
8	531 11 90-14	HOSE CLAMP		1
9	531 11 90-65	SOCKET WRENCH 18 MM	18 mm	1
10	531 11 95-73	DOUBLE U-WRENCH 22-24MM	22-24 mm	1

**H** CS ACCESSORIES  
WHEEL COVER AND HOLDER



## WHEEL COVER AND HOLDER

CS10 ACCESSORIES, 2015-06

Ref	Part No	Description	Remark	QTY KIT
1	586 53 99-01	WHEEL COVER	incl. 2	1
2	531 11 92-24	SCREW		4
3	586 54 11-01	HOLDER ASSY	incl. 2, 4-6	1
4	531 11 94-14	STRAP		1
5	576 37 17-01	WIRE GUIDE		1
6	531 11 92-07	SCREW		1