

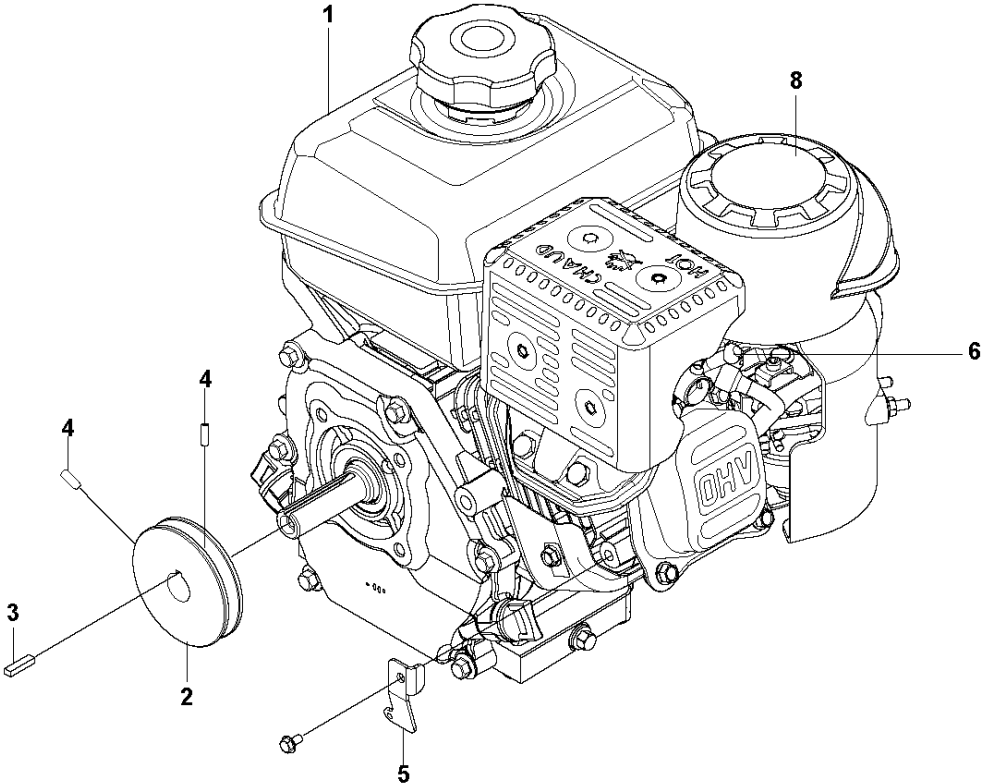
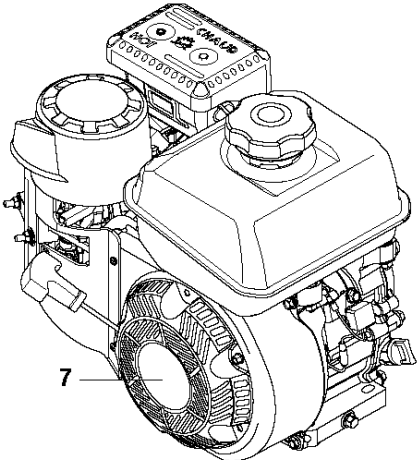


SPARE PARTS LIST

EARLY ENTRY SAWS

SOFF CUT 150, 2019-02

A SOFF CUT 150
ENGINE

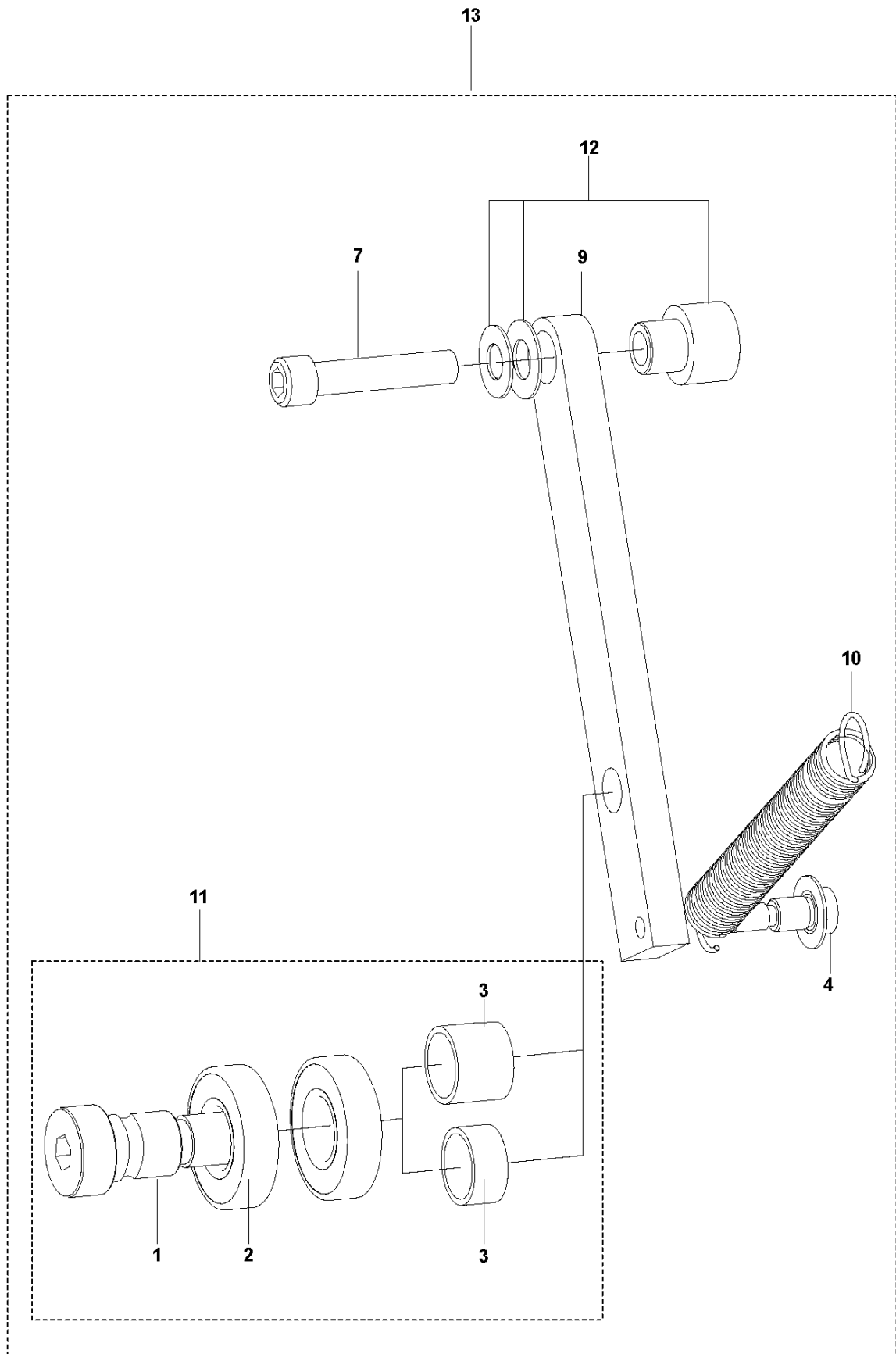


ENGINE

SOFF CUT 150, 2019-02

Ref	Part No	Description	Remark	QTY KIT
1	592 88 82-01	ENGINE		1
2	582 66 93-01	PULLEY KIT		1
3	510 31 73-01	KEY		1
4	728 84 47-05	SCREW IHSETM		2
5	592 92 06-01	BRACKET		1
6	593 13 17-01	SPARK PLUG		1
7	594 11 05-01	STARTER		1
8	594 11 02-01	AIR FILTER		1

B SOFF CUT 150
BELT TENSIONER

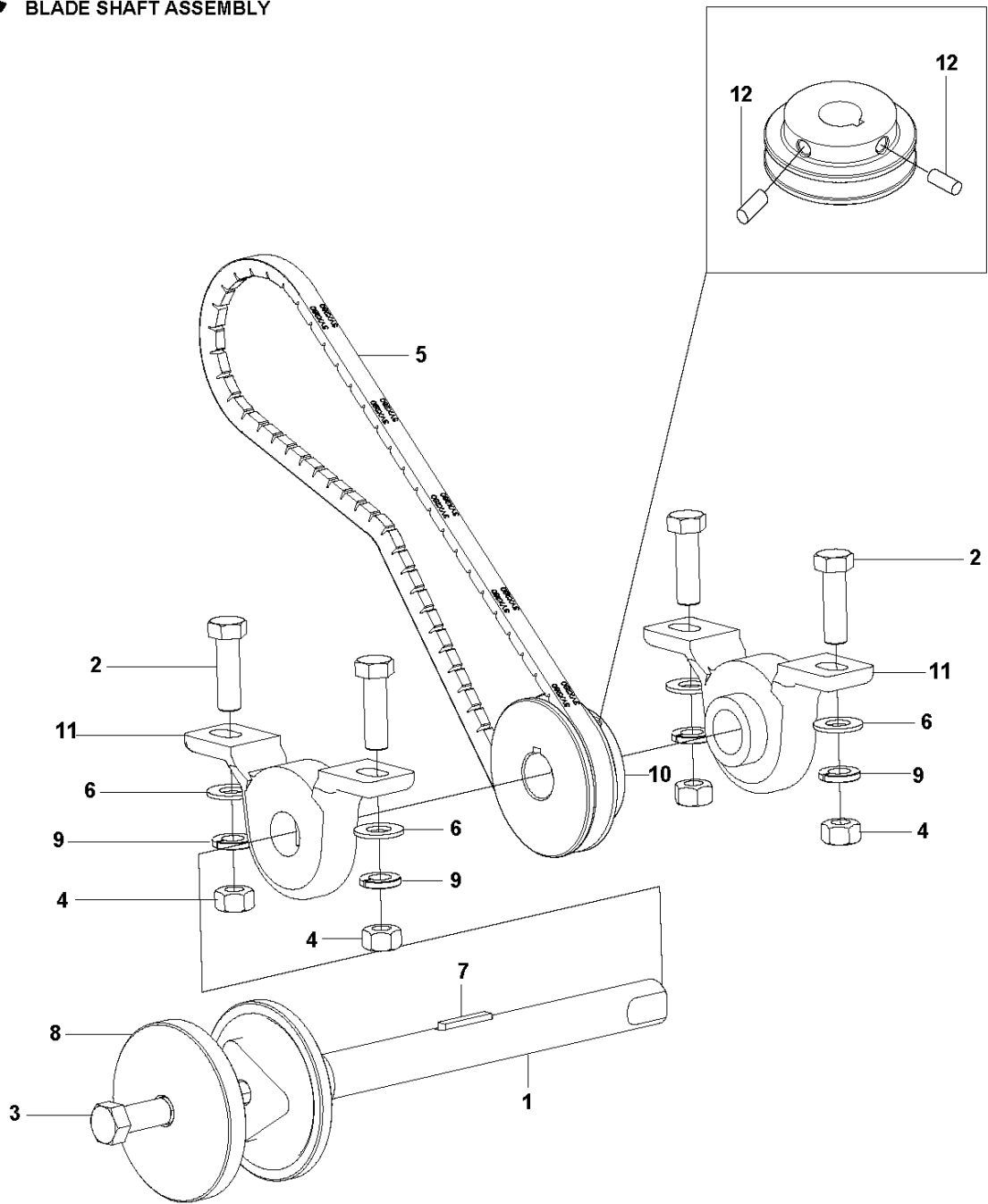


BELT

SOFF CUT 150, 2019-02

Ref	Part No	Description	Remark	QTY	KIT
1	582 37 08-01	SCREW		1	11, 13
2	505 73 60-01	PULLEY		2	11, 13
3	505 71 46-02	SPACER		1	11, 13
3	582 37 07-01	SPACER		2	11, 13
4	505 72 65-01	BOLT		1	13
7	505 59 19-01	BOLT		1	13
9	505 58 73-01	ARM		1	13
10	505 73 79-01	SPRING		1	13
11	582 66 95-01	TENSIONER		1	13
12	505 85 65-01	ARM		1	13
13	582 66 94-01	TENSIONER	Complete	1	

C SOFF CUT 150
BLADE SHAFT ASSEMBLY

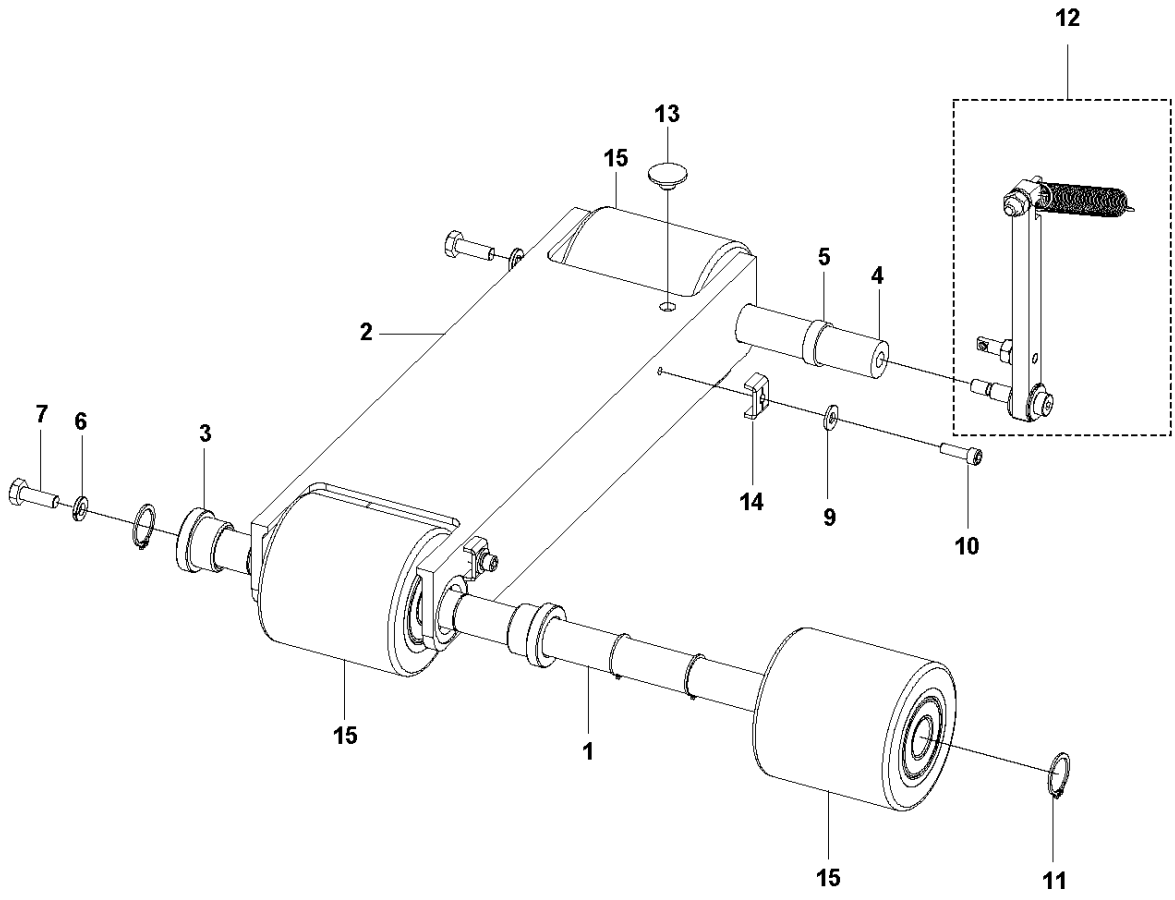


BLADE SHAFT

SOFF CUT 150, 2019-02

Ref	Part No	Description	Remark	QTY KIT
1	505 58 84-01	BLADE SHAFT		1
2	505 72 76-01	HEX BOLT 3/8-16X1 1/4 CAD GR 5		4
3	505 57 34-01	BOLT		1
4	505 73 21-01	NUT		4
5	588 76 92-01	BELT		1
6	505 72 46-01	FLAT WASH 3/8 STL CAD		4
7	510 31 73-01	KEY		1
8	505 49 15-02	WASHER		1
9	505 73 10-01	WASHER		4
10	579 79 45-01	SHEAVE		1
11	505 59 20-01	BLADE SHAFT		2
12	728 84 47-05	SCREW IHSETM		2

D SOFF CUT 150
WHEEL CARRIAGE ASSEMBLY

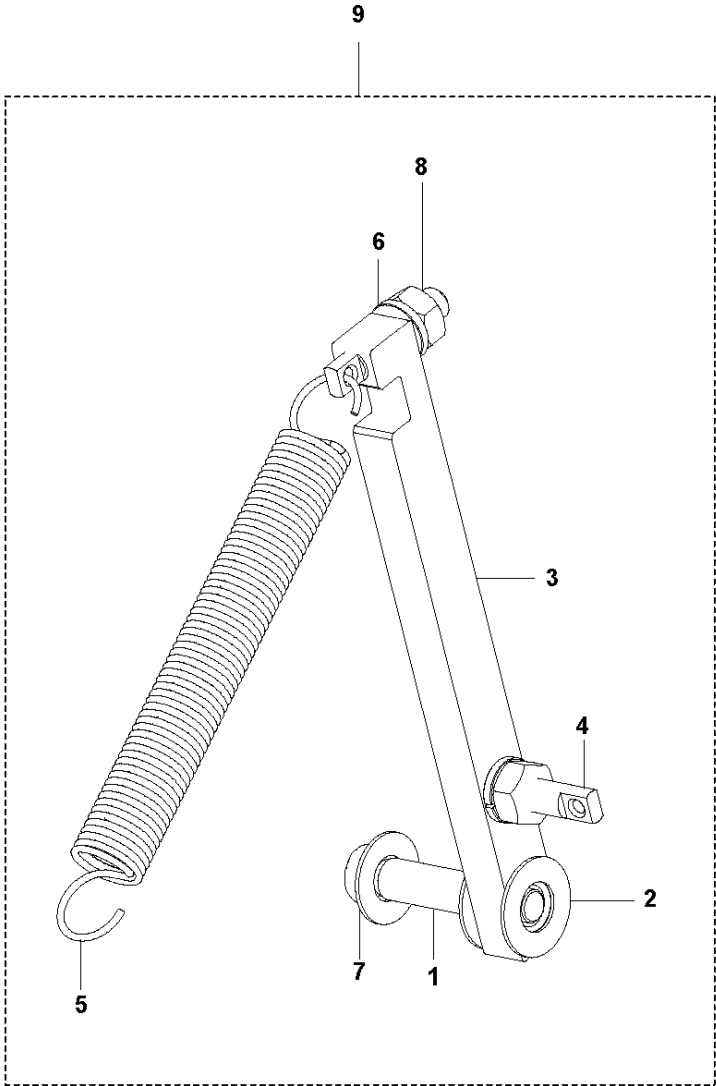


CARRIAGE

SOFF CUT 150, 2019-02

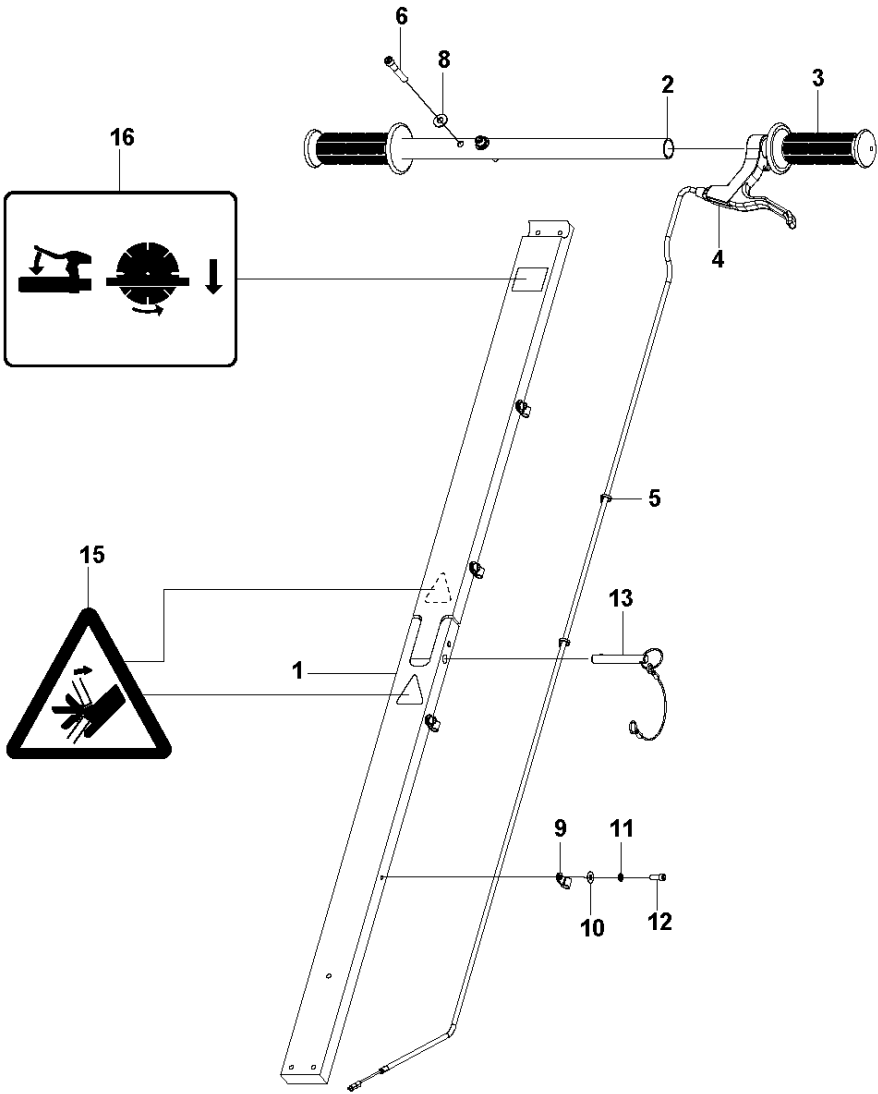
Ref	Part No	Description	Remark	QTY KIT
1	505 58 67-01	REAR AXLE		1
2	505 58 68-01	FRAME		1
3	505 58 69-01	BUSHING		2
4	505 58 81-01	FRONT AXLE SYSTEM		1
5	505 58 89-01	SPACER		2
6	505 63 28-01	WASHER		1
7	505 62 75-01	BOLT		2
9	505 63 53-01	WASHER		2
10	505 72 97-01	BOLT		2
11	505 73 35-01	SNAP RING		4
12	510 27 27-11	ARM		1
13	505 62 53-01	BUTTON		1
14	505 64 89-01	BOLT		2
15	505 59 29-01	WHEEL		3

E SOFF CUT 150
BLADE RELEASE ARM



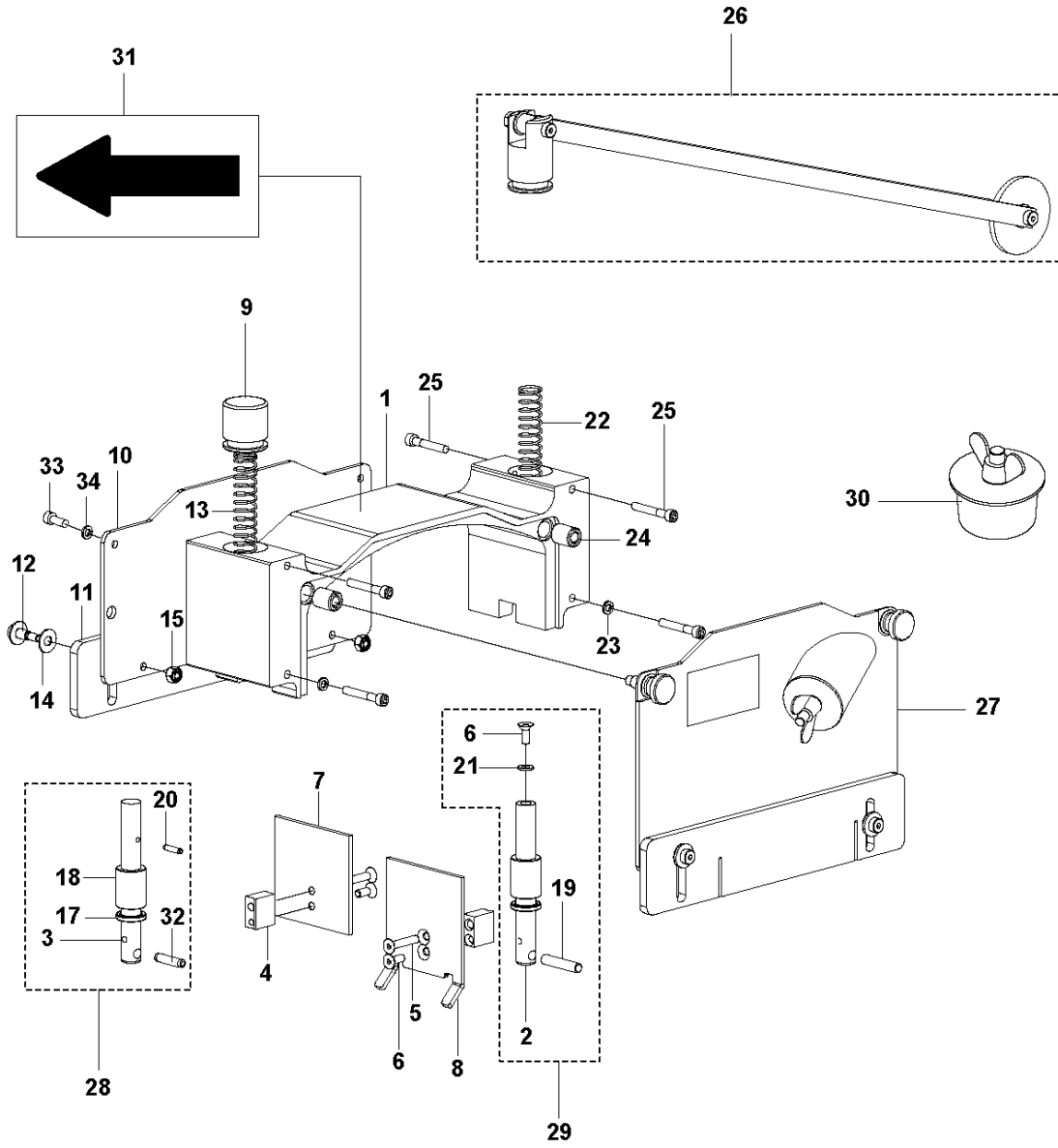
Ref	Part No	Description	Remark	QTY KIT
1	505 72 67-01	BOLT		1
2	505 63 45-01	WASHER		2
3	505 58 70-01	LEVER		1
4	505 77 45-01	ANCHOR		2
5	505 73 79-01	SPRING		1
6	505 63 28-01	WASHER		2
7	505 72 52-01	WASHER		1
8	505 63 19-01	NUT		2
9	510 27 27-11	ARM	Complete	1

F SOFF CUT 150
HANDLE ASSEMBLY



Ref	Part No	Description	Remark	QTY KIT
1	505 87 58-01	HANDLE		1
2	592 73 77-01	HANDLE		1
3	596 32 68-01	HANDLE GRIP		2
4	505 48 27-01	CABLE		1
5	510 33 17-01	TIE WRAP		2
6	505 72 88-01	BOLT		2
8	505 63 20-01	WASHER		2
9	587 05 74-01	CABLE CLAMP		4
10	505 63 53-01	WASHER		4
11	505 63 31-01	WASHER		4
12	505 72 97-01	BOLT		4
13	574 71 98-01	KIT		1
15	595 08 41-01	DECAL		2
16	582 18 54-01	DECAL		1

G SOFF CUT 150
BLADE BLOCK ASSEMBLY

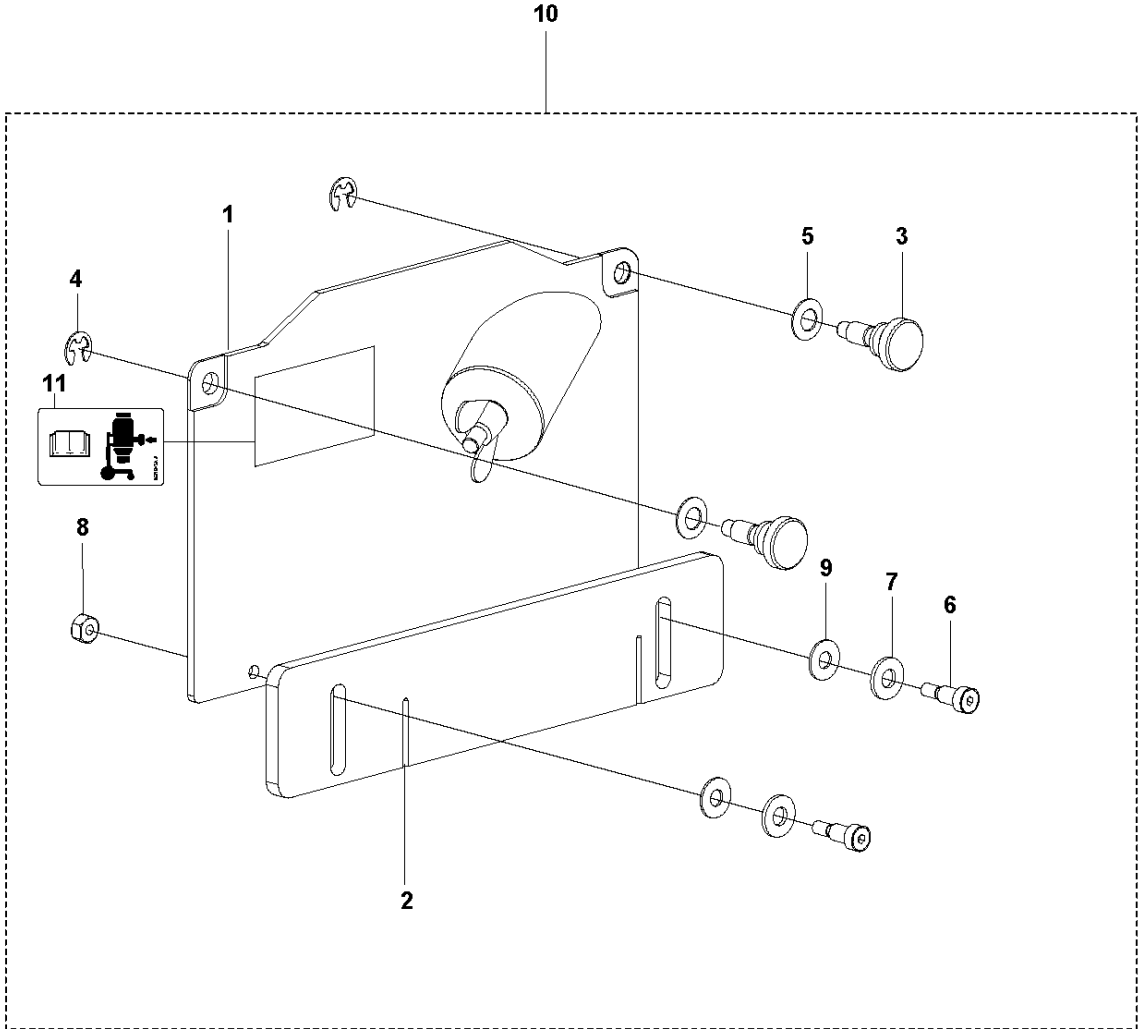


BLADE BLOCK

SOFF CUT 150, 2019-02

Ref	Part No	Description	Remark	QTY	KIT
1	505 58 78-01	BLADE		1	
2	505 58 82-01	FRONT AXLE ASSY		1	29
3	505 58 85-01	REAR AXLE		1	28
4	505 58 88-01	SPACER		2	
5	510 32 55-01	SCREW		2	
6	505 72 99-01	SCREW		3	
7	505 58 77-01	PLATE		1	
8	510 33 77-01	PLATE		1	
9	505 58 86-01	CAP		1	
10	505 58 76-01	REAR COVER		1	
11	505 58 79-01	INNER PLATE		1	
12	505 68 64-01	BOLT		2	
13	505 59 30-01	SPRING		1	
14	505 63 44-01	WASHER		4	
15	505 63 04-01	NUT		2	
17	505 59 35-01	DUST SEAL		2	28
18	505 59 34-01	BUSHING		2	28
19	505 77 40-01	PLATE		1	29
20	505 59 27-01	PIN		1	
21	734 11 46-01	WASHER		1	
22	505 59 31-01	SPRING		1	
23	505 63 31-01	WASHER		2	
24	505 74 83-01	INSERT		2	
25	505 59 14-01	BOLT		5	
26	582 67 35-01	POINTER		1	
27	589 94 90-01	COVER		1	
28	505 87 62-01	REAR AXLE		1	
29	505 87 61-01	FRONT AXLE ASSY		1	
30	593 68 20-01	PLUG		1	
31	582 18 57-01	DECAL		1	
32	587 91 82-01	PIN		1	
33	505 72 97-01	BOLT		1	
34	505 63 31-01	WASHER		1	

H SOFF CUT 150
BLADE BLOCK COVER

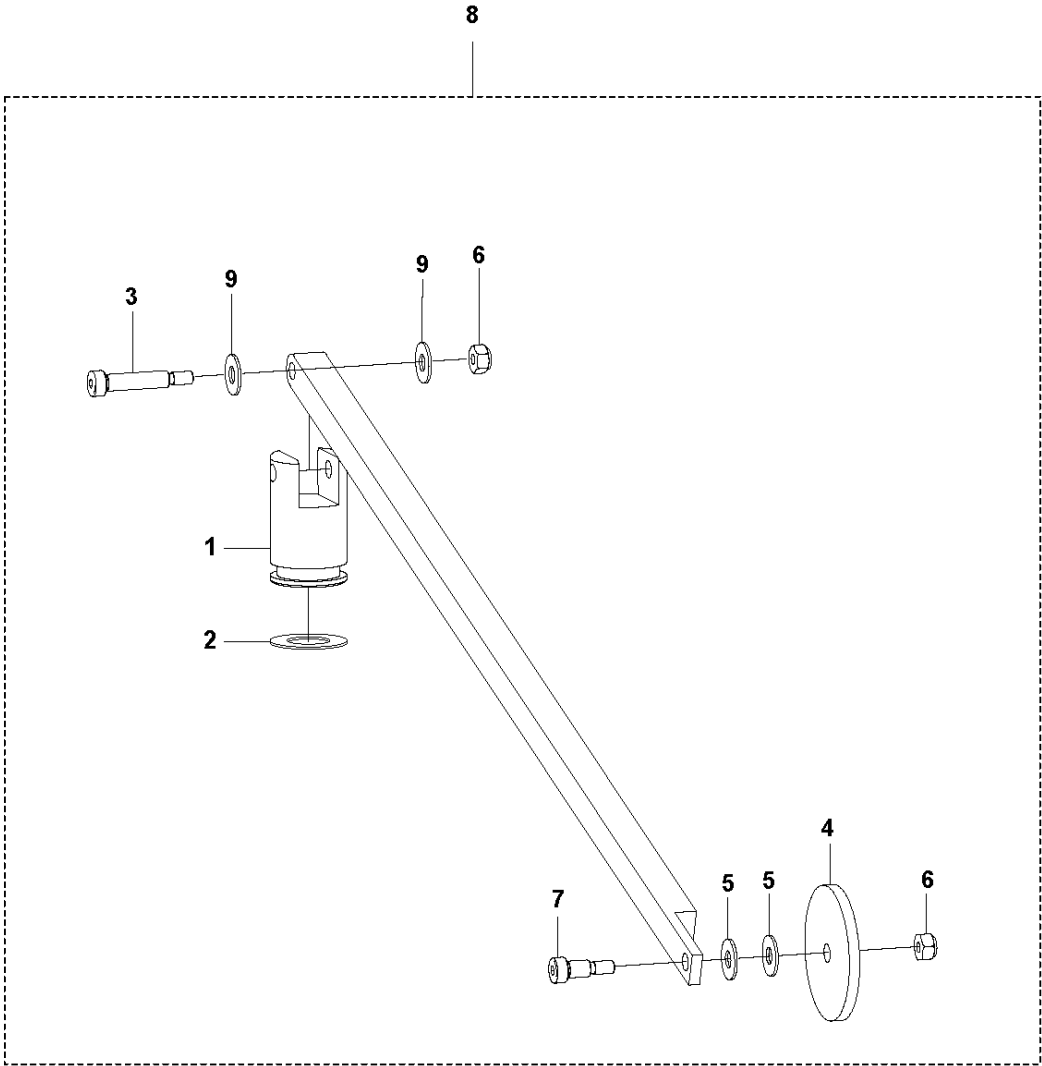


BLADE BLOCK COVER

SOFF CUT 150, 2019-02

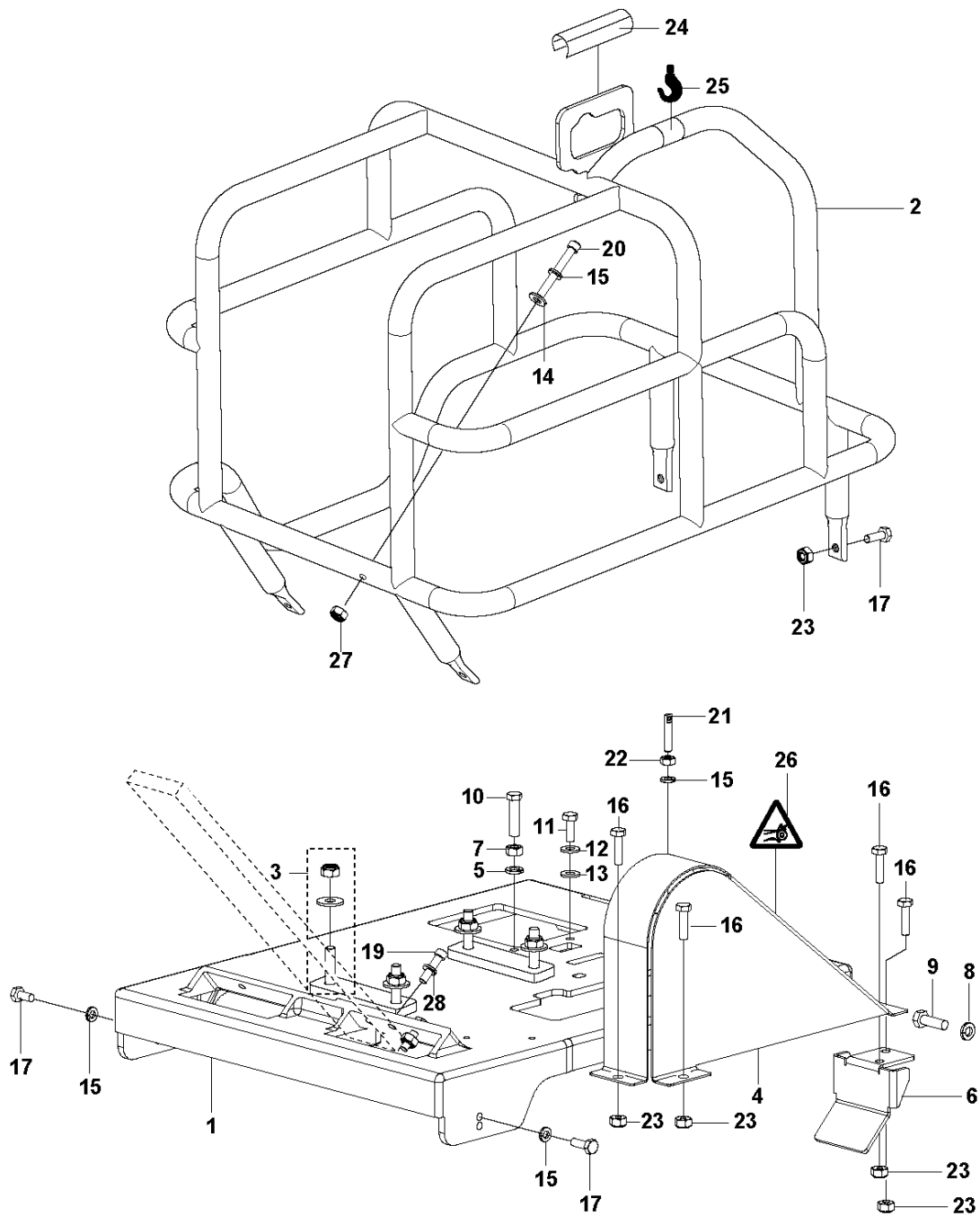
Ref	Part No	Description	Remark	QTY KIT
1	589 41 99-01	COVER		1
2	505 58 80-01	BRACKET		1
3	505 53 63-01	KNOB		2
4	505 53 65-01	E-CLIP		2
5	505 53 64-01	WASHER		2
6	505 68 64-01	BOLT		2
7	505 63 44-01	WASHER		4
8	505 63 04-01	NUT		2
9	505 63 44-01	WASHER		4
10	589 94 90-01	COVER	Complete	1
11	597 02 69-01	DECAL		1

**SOFF CUT 150
GUIDE ARM ASSEMBLY**



Ref	Part No	Description	Remark	QTY KIT
1	582 65 38-01	CAP		1
2	589 77 25-01	GASKET		1
3	505 72 59-01	BOLT		1
4	505 61 42-01	DISC		1
5	505 63 44-01	WASHER		2
6	505 63 04-01	NUT		2
7	505 68 64-01	BOLT		1
8	582 67 35-01	POINTER	Complete	1
9	505 63 20-01	WASHER		2

J SOFF CUT 150
MAIN FRAME ASSEMBLY



FRAME

SOFF CUT 150, 2019-02

Ref	Part No	Description	Remark	QTY KIT
1	505 58 65-01	BOTTOM BLADE		1
2	596 04 12-01	FRAME ASSY		1
3	589 39 56-01	ENGINE PLATE	Kit	1
4	582 10 59-01	GUARD		1
5	539 99 07-17	NUT		4
6	505 58 95-01	COVER		1
7	541 20 47-80	WASHER		4
8	505 63 30-01	WASHER		3
9	539 99 02-09	SCREW		2
10	505 68 77-01	BOLT		4
11	522 44 26-01	BOLT		1
12	505 73 24-01	NUT		1
13	505 63 30-01	WASHER		1
14	505 63 20-01	WASHER		1
15	505 63 28-01	WASHER		11
16	582 63 92-01	SCREW		4
17	582 63 92-01	SCREW		6
19	505 72 88-01	BOLT		2
20	505 72 89-01	BOLT		1
21	505 77 45-01	ANCHOR		1
22	505 63 19-01	NUT		1
23	505 63 05-01	NYLOC NUT 1/4-20 CAD PL.		9
24	589 39 45-01	SEALING STRIP		1
25	590 82 16-01	DECAL		1
26	596 99 06-01	DECAL		1
27	505 63 05-01	NYLOC NUT 1/4-20 CAD PL.		1
28	505 63 20-01	WASHER		2