

SPARE PARTS CATALOGUE

EARLY ENTRY SAWS: HUSQVARNA CONSTRUCTION PRODUCTS SOFF CUT 2500

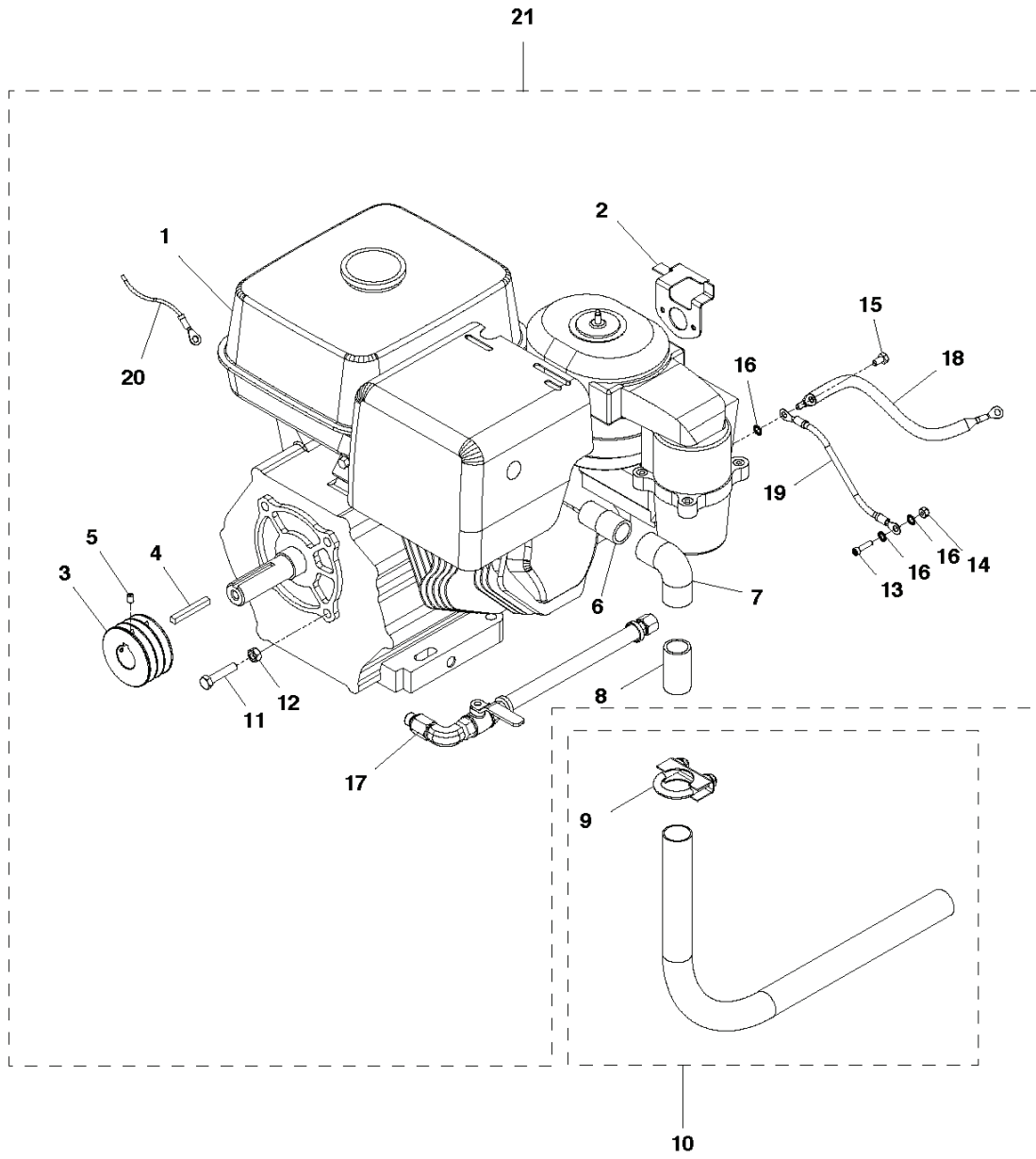
Spare Parts List

SPARE PARTS LIST

EARLY ENTRY SAWS

HUSQVARNA CONSTRUCTION
PRODUCTS SOFF CUT 2500

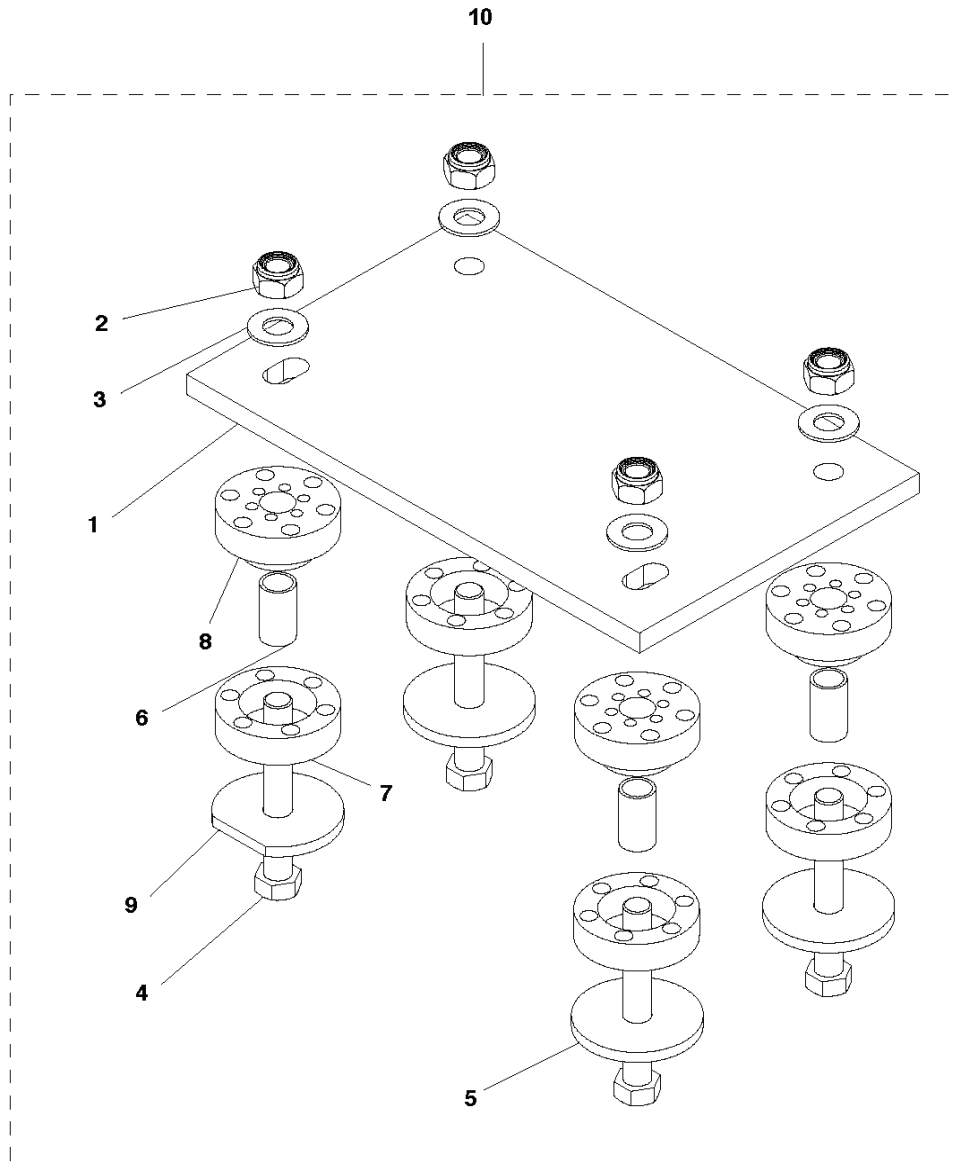
A SOFF CUT X2500
ENGINE ASSEMBLY



EARLY ENTRY SAWS

PXM_REF	PXM_PARTNO	DESCRIPTION	PXM_REMARK	QTY.
1	577961202	ENGINE		1 21
2	505741301	BRACKET		1 21
3	505740101	PULLEY		1 21
4	539910210	KEY		1 21
5	542020541	KEY		4 21
6	505611401	NIPPLE		1 21
7	505743001	ELBOW		1 21
8	505742901	NIPPLE		1 21
9	505743201	CLAMP		1 10
10	505867801	MUFFLER		1
11	505727801	BOLT		2 21
12	505732801	NUT		2 21
13	505729501	SHC 10-24 X 3/4 SS(G1 BATTERY)		1 21
14	505630401	NUT		1 21
15	725236671	SCREW EHHM		1 21
16	505731801	WASHER		3 21
17	505857505	KIT		1 21
18	575446603	KIT		1 21
19	575446604	KIT		1 21
20	575477901	HARNESS		1 21
21	510271605	ASSEMBLY	Assembled	1

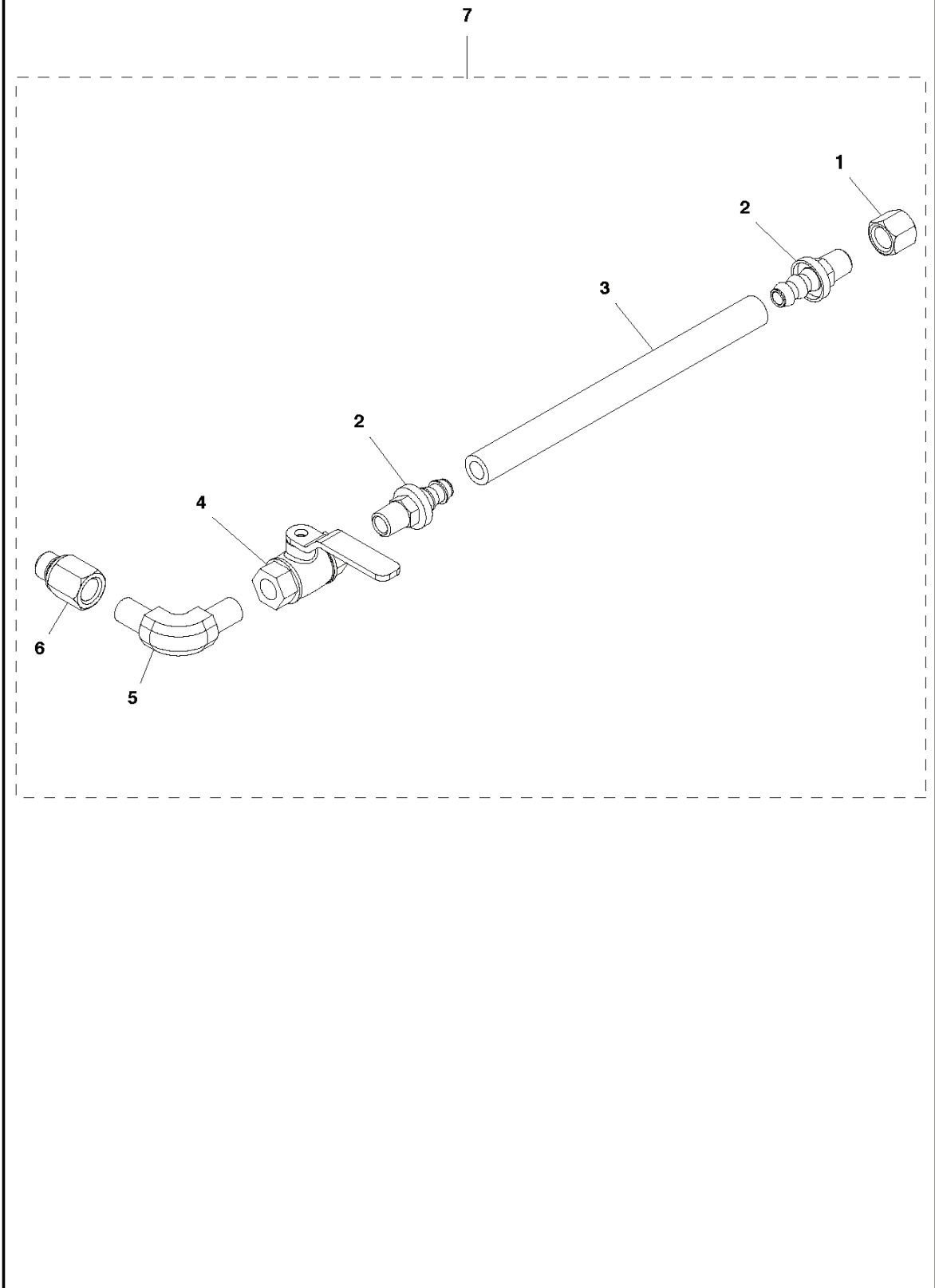
B SOFF CUT X2500
MOTOR MOUNT BUSHING



EARLY ENTRY SAWS

PXM_REF	PXM_PARTNO	DESCRIPTION	PXM_REMARK	QTY.
1	505609202	PLATE		1 10
2	541205726	NUT		4 10
3	510302101	WASHER		4 10
4	510317601	BOLT		4 10
5	505609901	WASHER		3 10
6	505609801	SPACER		4 10
7	505610201	RING		4 10
8	505610301	BUSHING		4 10
9	505610101	WASHER		1 10
10	505857801	MOTOR		1

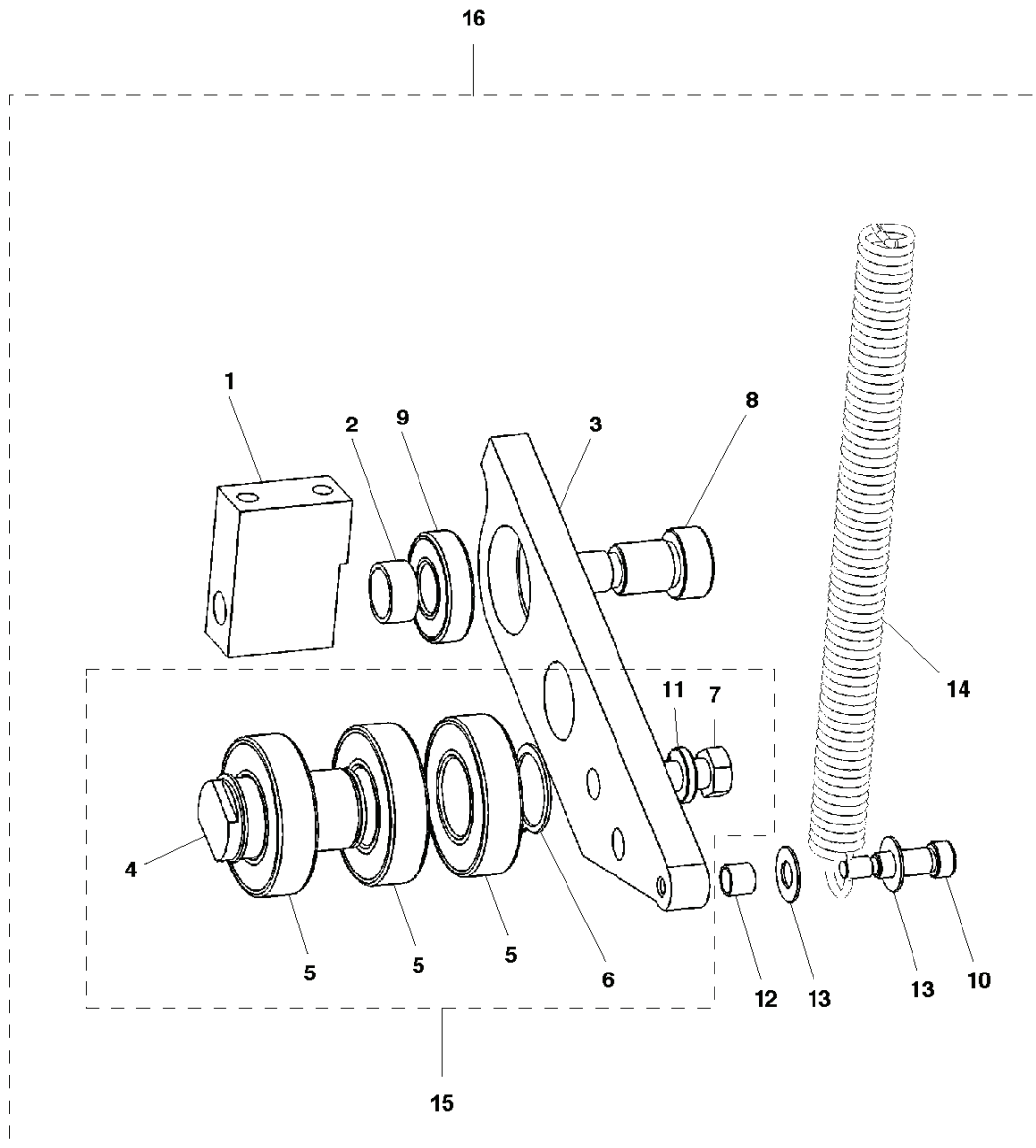
C SOFF CUT X2500
OIL DRAIN



EARLY ENTRY SAWS

PXM_REF	PXM_PARTNO	DESCRIPTION	PXM_REMARK	QTY.	
1	505776601	CAP		1	7
2	505738601	FITTING		2	7
3	505738501	HOSE		1	7
4	505738901	VALVE		1	7
5	505738701	ADAPTER		1	7
6	505738801	ADAPTER		1	7
7	505857505	KIT		1	

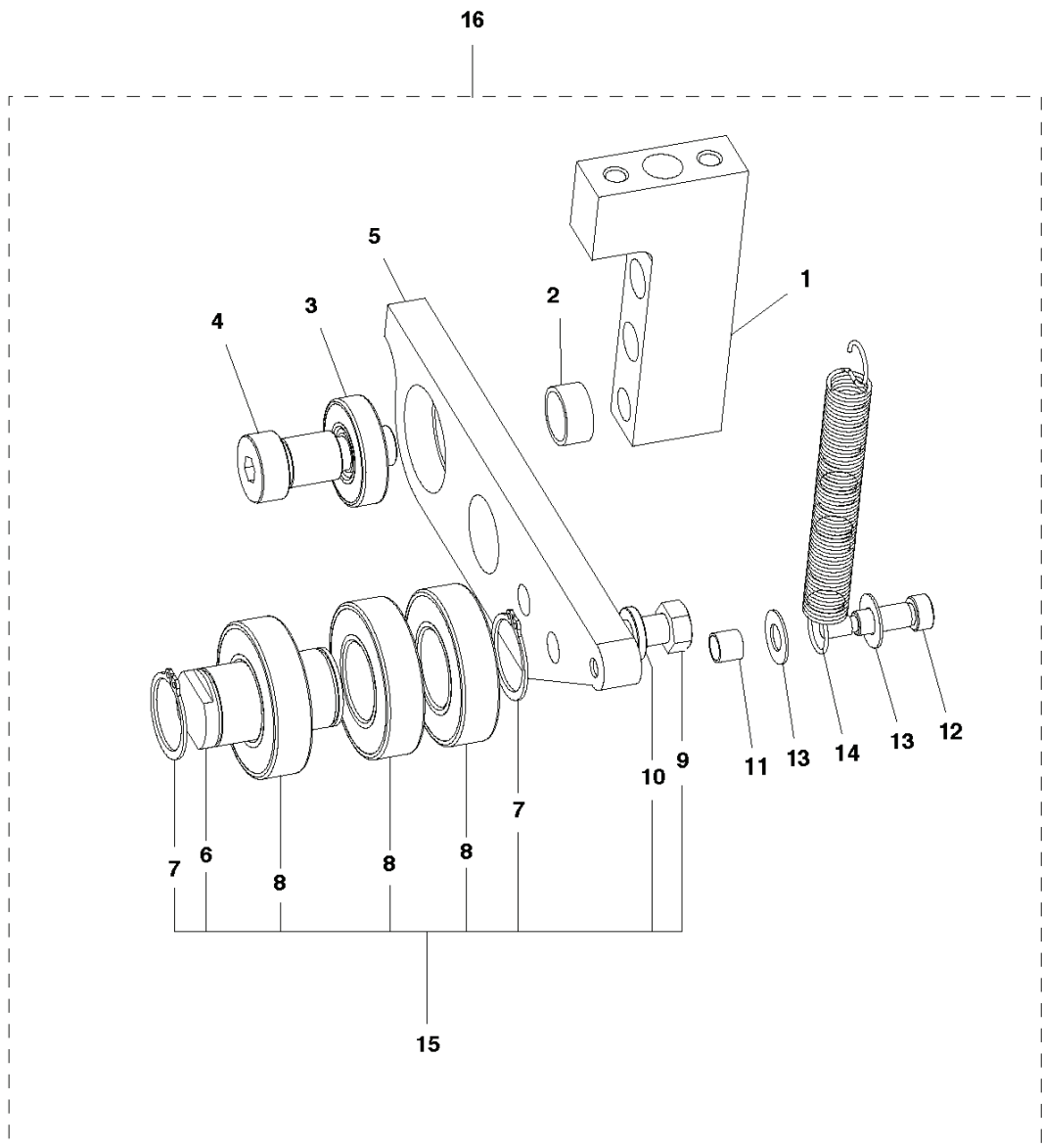
D SOFF CUT X2500
BLADE IDLER PULLEY



EARLY ENTRY SAWS

PXM_REF	PXM_PARTNO	DESCRIPTION	PXM_REMARK	QTY.
1	505714801	PULLEY		1
2	505714602	SPACER		1
3	505706901	PULLEY		1
4	505706801	BLADE		1
5	505736301	WHEEL		3
6	542206205	SNAP RING		2
7	539976941	SCREW		1
8	505726201	BOLT		1
9	505736001	PULLEY		1
10	505726401	BOLT		1
11	505731001	WASHER		1
12	505717901	BUSHING		1
13	505725201	WASHER		2
14	505737301	SPRING		1
15	505483401	PULLEY		1
16	510271705	PULLEY ASSY		1

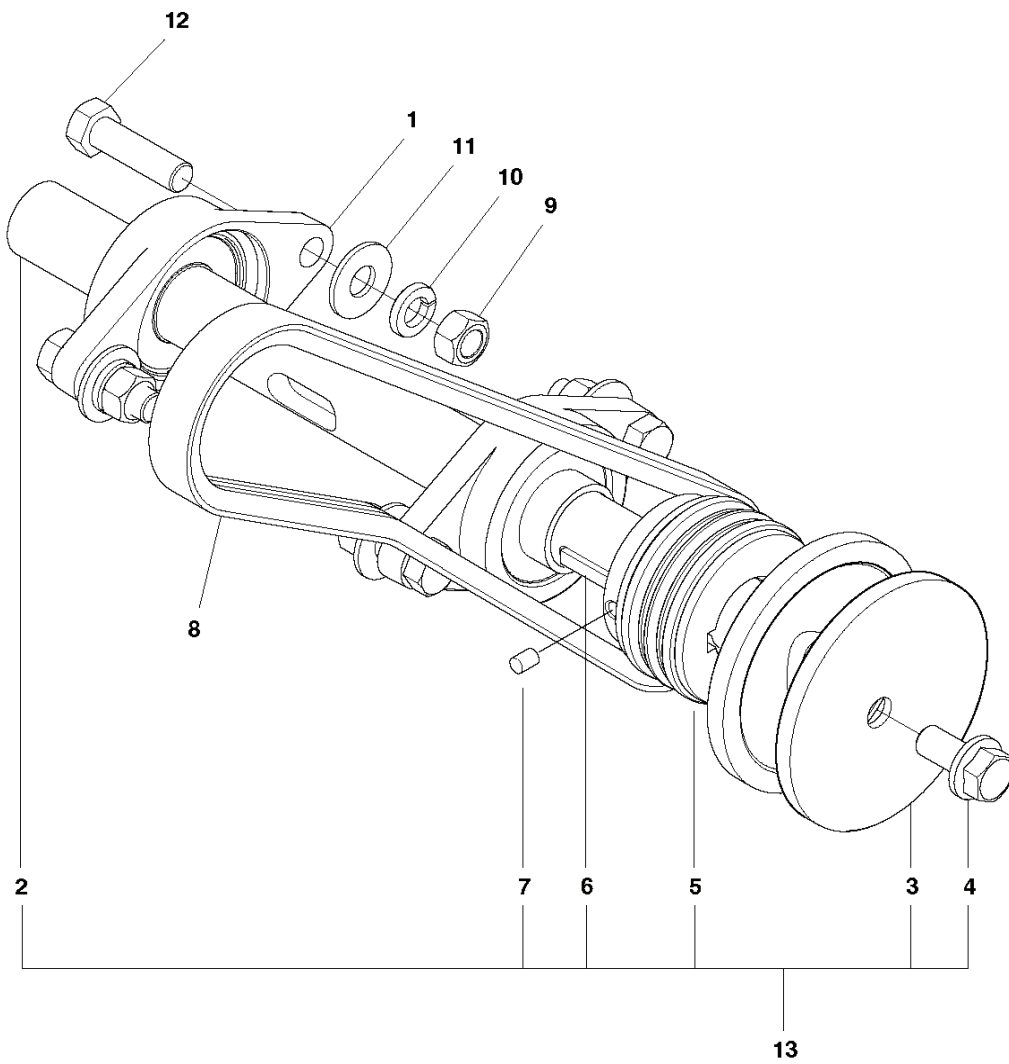
E SOFF CUT X2500
PUMP IDLER PULLEY



EARLY ENTRY SAWS

PXM_REF	PXM_PARTNO	DESCRIPTION	PXM_REMARK	QTY.
1	505714401	PULLEY		1 16
2	505714602	SPACER		1 16
3	505736001	PULLEY		1 16
4	505726201	BOLT		1 16
5	505706901	PULLEY		1 16
6	505706801	BLADE		1
7	542206205	SNAP RING		2
8	505736301	WHEEL		3
9	539976941	SCREW		1
10	505731001	WASHER		1
11	505717901	BUSHING		1 16
12	505726401	BOLT		1 16
13	505725201	WASHER		2 16
14	505737901	SPRING		1 16
15	505483401	PULLEY		1 16
16	505857401	PUMP		1

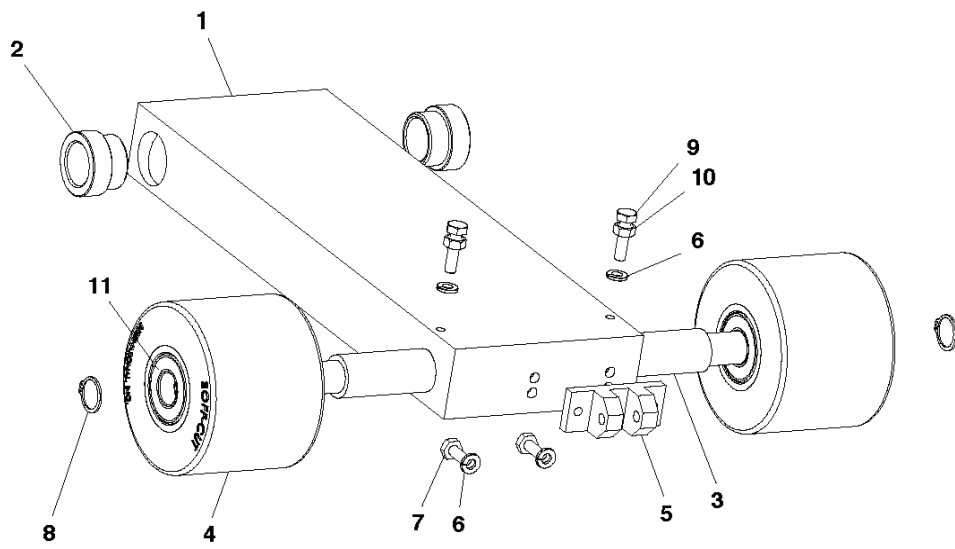
F SOFF CUT X2500
BLADE SHAFT ASSEMBLY



EARLY ENTRY SAWS

PXM_REF	PXM_PARTNO	DESCRIPTION	PXM_REMARK	QTY.
1	505736501	BLADE SHAFT		2
2	505573203	SHAFT		1
3	505491504	WASHER		1
4	505483701	BOLT		1
5	582046801	PULLEY		1
6	510318101	KEY		1
7	542020550	SCREW		4
8	505740401	BELT		1
9	541204836	NUT		4
10	505731101	WASHER		4
11	505731401	WASHER		4
12	505727001	BOLT		4
13	505880701	BLADE SHAFT		1

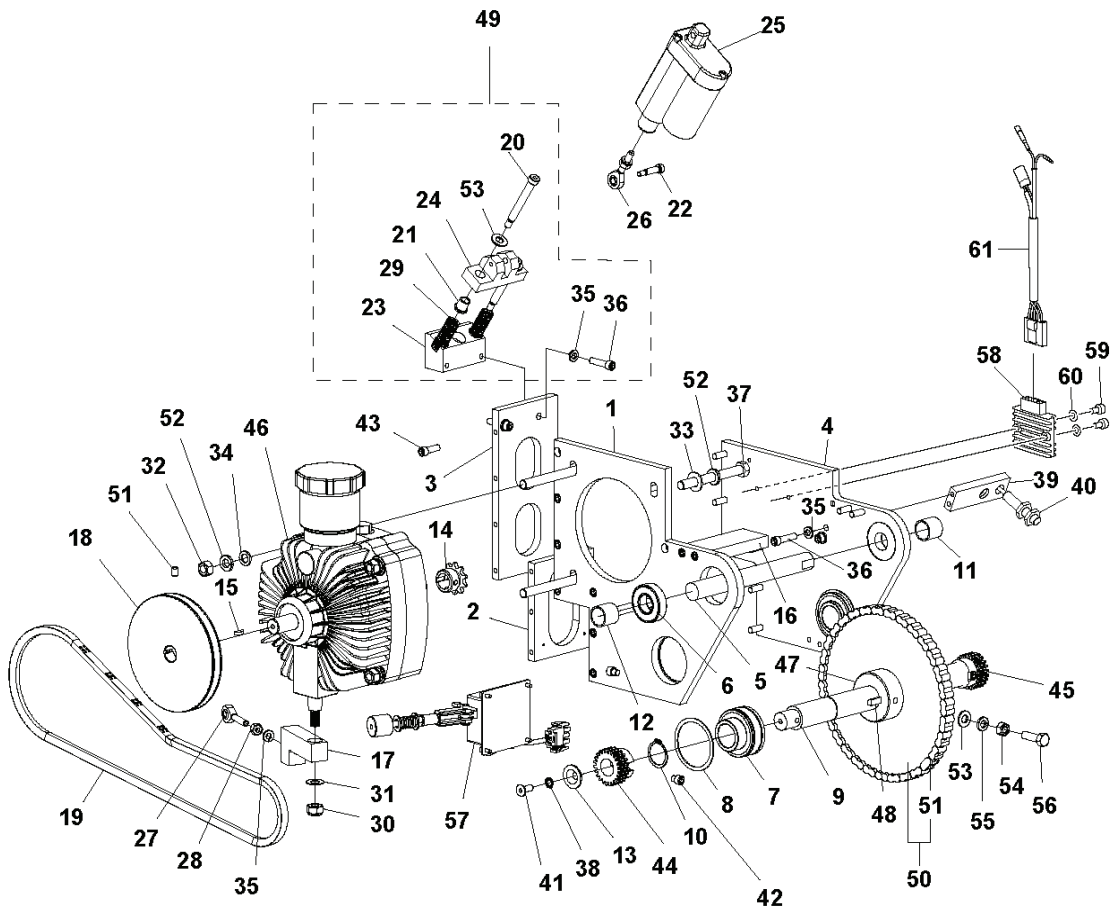
G SOFF CUT X2500
FRONT WHEEL CARRIAGE



EARLY ENTRY SAWS

PXM_REF	PXM_PARTNO	DESCRIPTION	PXM_REMARK	QTY.
1	505607201	WHEEL		1
2	505655101	BUSHING		2
3	505713901	AXLE		1
4	505866201	WHEEL		2
5	505706201	ACTUATOR		1
6	505632801	WASHER		4
7	505627401	BOLT		2
8	505733501	SNAP RING		2
9	505727301	BOLT		2
10	505631901	NUT		2
11	505736101	BEARING		4

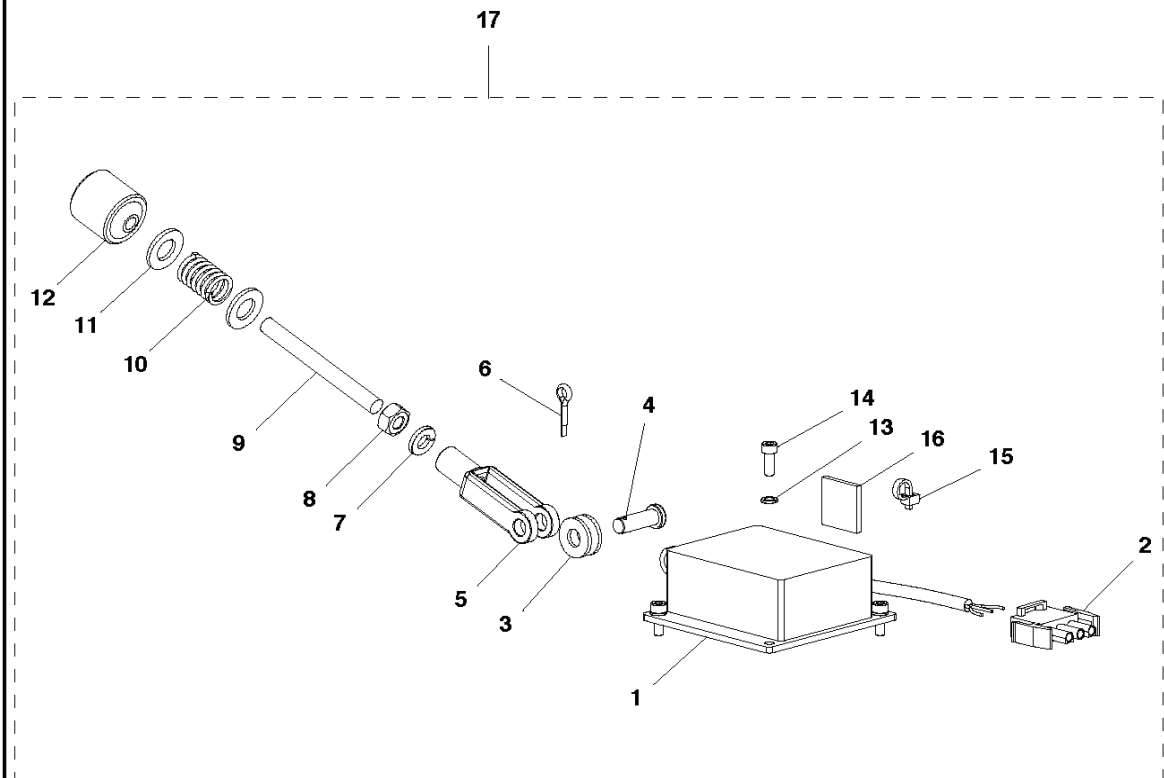
H SOFF CUT 2500
PUMP ASSEMBLY



EARLY ENTRY SAWS

PXM_REF	PXM_PARTNO	DESCRIPTION	PXM_REMARK	QTY.
1	505705901	PLATE		1
2	505706101	PLATE		1
3	505706001	ACTUATOR		1
4	505607601	PUMP SUPPORT PLATE LEFT		1
5	505605501	SHAFT		1
6	505736101	BEARING		2
7	505689401	SHAFT		2
8	505690201	SNAP RING		4
9	505605301	DRIVE SHAFT		1
10	542206205	SNAP RING		2
11	505605701	SPACER		1
12	505716001	BUSHING		1
13	505764801	WASHER		2
14	587659901	SPROCKET		1
15	539300749	KEY		1
16	505756701	ACTUATOR		1
17	505714901	ARM		1
18	505739801	PULLEY		1
19	505484004	BELT		1
20	505811901	GUIDE		2 49
21	505602201	BEARING		2 49
22	505725801	BOLT		1
23	505718701	BLOCK		1 49
24	580882801	BRACKET		1 49
25	505844601	ACTUATOR		1
26	505743401	ROD END		1
27	505743401	ROD END		1
28	505732901	NUT		2
29	505602901	SPRING		2 49
30	539976979	NUT		1
31	505634201	WASHER		1
32	539990130	NUT		4
33	539990517	WASHER		4
34	505724001	WASHER		4
35	505632801	WASHER		6 49
36	505627901	BOLT		4 49
37	505727701	HEX BOLT 3/8-16-3 1/2 CAD GR 5		4
38	505731801	WASHER		2
39	505607501	BRACKET		1
40	505754101	SWITCH		1
41	505730501	SCREW		2
42	505772701	SCREW		4
43	505627801	BOLT		17
44	505777101	GEAR WHEEL		1
45	505602401	GEAR		1
46	505738301	HYDROSTATIC PEDAL ASSY		1
47	505739401	SPROCKET		1
48	510318101	KEY		1
49	505882901	BLOCK		1
50	505867201	CHAIN		1
51	542020541	KEY		2
52	505731001	WASHER		8
53	539990188	WASHER		3 49
54	539990130	NUT		1
55	505633001	WASHER		1
56	539990209	SCREW		1
57	505845101	SPEED CONTROL SYSTEM		1
58	536461501	ELECTRIC MODULE	SN 001393041002	1
59	505627901	BOLT		2
60	505632801	WASHER		2
61	536048801	WIRE	SN 001393041002	1

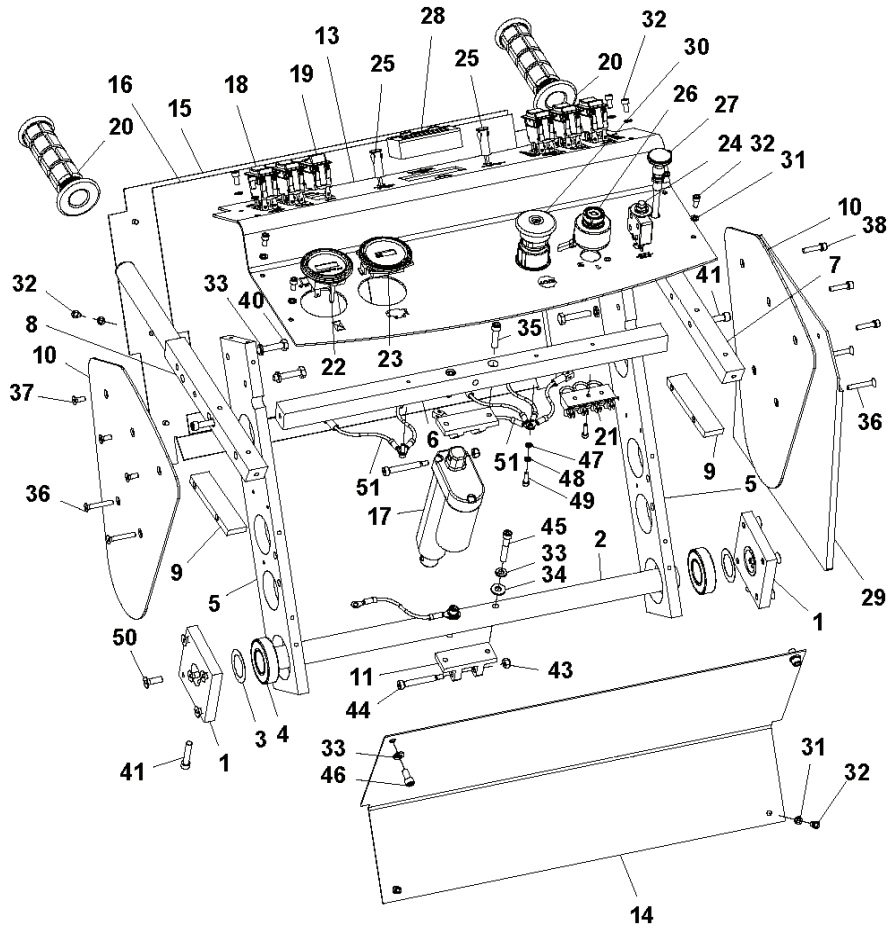
J SOFF CUT X2500
SPEED CONTROL ACTUATOR



EARLY ENTRY SAWS

PXM_REF	PXM_PARTNO	DESCRIPTION	PXM_REMARK	QTY.
1	505749801	SPEED CONTROL SYSTEM		1 17
2	505751601	PLUG		1 17
3	505632001	WASHER		2 17
4	505743501	CLEVIS		1 17
5	505743301	YOKE		1 17
6	505739701	PIN		1 17
7	505632801	WASHER		1 17
8	505732901	NUT		1 17
9	505770801	STUD		1 17
10	505775101	SPRING		1 17
11	539990055	WASHER		2 17
12	505755201	ADJUSTER		1 17
13	505632401	WASHER		4 17
14	505627601	BOLT		4 17
15	510331701	TIE WRAP		1 17
16	510331602	TIE WRAP		1 17
17	505845101	SPEED CONTROL SYSTEM		1

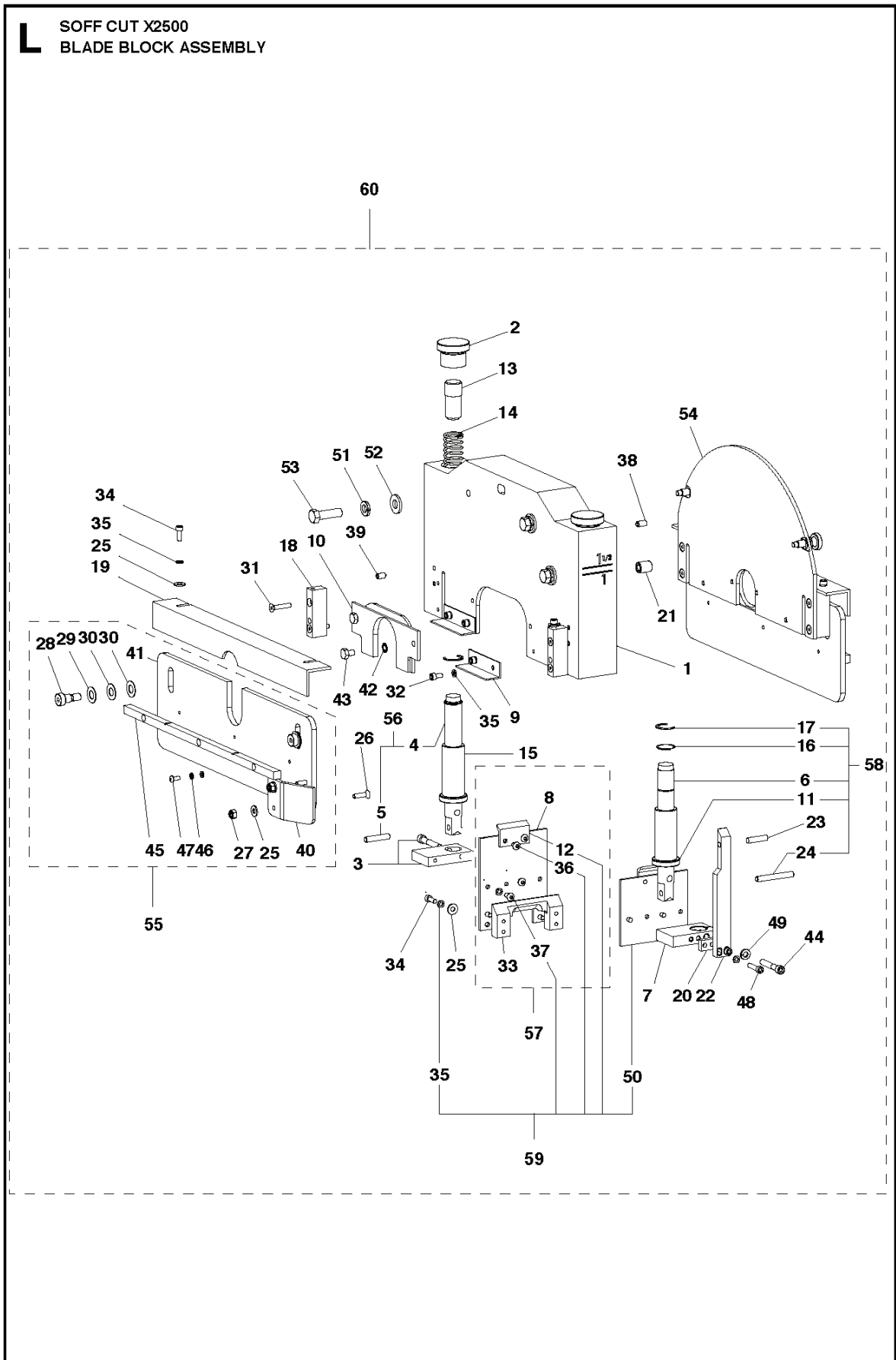
K SOFF CUT X2500
CONTROL PANEL ASSEMBLY



EARLY ENTRY SAWS

PXM_REF	PXM_PARTNO	DESCRIPTION	PXM_REMARK	QTY.
1	505712101	PLATE		2
2	505712001	SHAFT		1
3	505736901	SHIM		2
4	505736301	WHEEL		2
5	505711801	PLATE		2
6	505708401	CROSSBAR		1
7	505708801	HANDLEBAR		1
8	505708901	HANDLEBAR		1
9	505607101	SPACER BAR HANDLE		2
10	505711901	PLATE		2
11	505706601	BRACKET		2
13	505608901	CONTROL PANEL SYSTEM		1
14	505606401	PAN		1
15	505707101	PANEL		1
16	505720201	INSULATOR		1
17	505844901	HANDLE		1
18	505750701	SWITCH		5
19	589669001	TOGGLE SWITCH		1
20	505601101	HANDLE GRIP		2
21	505752701	BLOCK		1
22	505704301	METER		1
23	516027701	KIT		1
24	505605101	CIRCUIT BREAKER		1
25	505846001	LIGHT		2
26	576389003	WIRE ASSY		1
27	505695001	CHOKER		1
28	505605001	HOUR METER		1
29	505721501	JOINT		1
30	505704401	STOP SWITCH		1
31	505633101	WASHER		19
32	505627701	BOLT		16
33	505632801	WASHER		8
34	505632001	WASHER		2
35	505627901	BOLT		2
36	505729801	SCREW		4
37	505729901	SCREW		3
38	505772801	BOLT		3
40	505727401	BOLT		4
41	505628001	BOLT		4
43	505630401	NUT		2
44	505726001	BOLT		2
45	505728801	BOLT		2
46	505722301	BOLT		2
47	505731701	LK WASH #8 EXT TOOTH		2
48	505632701	WASHER		2
49	505628201	BOLT		3
50	505628601	SCREW		10
51	575446602	KIT		6

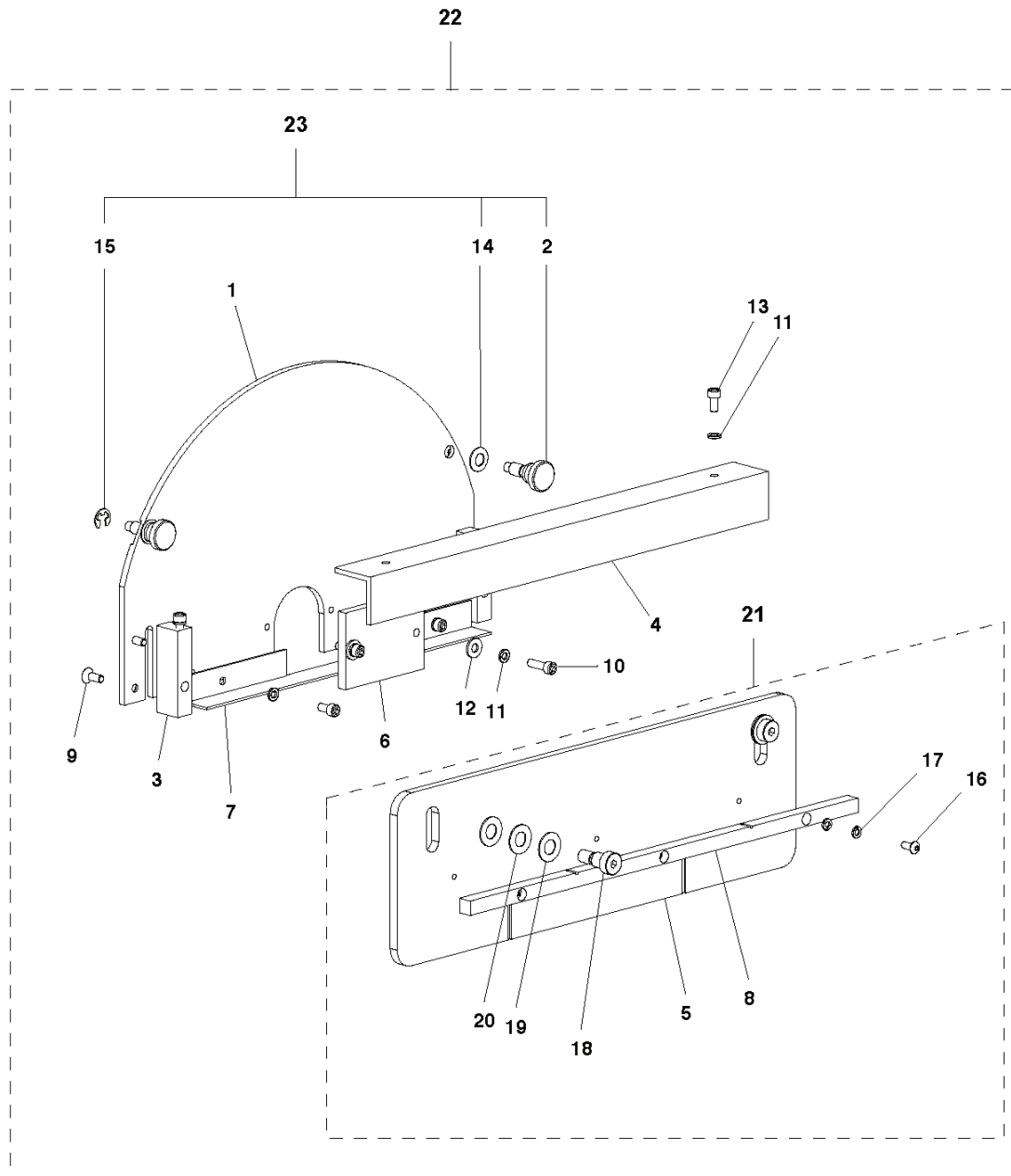
L SOFF CUT X2500
BLADE BLOCK ASSEMBLY



EARLY ENTRY SAWS

PXM_REF	PXM_PARTNO	DESCRIPTION	PXM_REMARK	QTY.
1	505709001	BLADE BLOCK		1
2	505709201	KNOB		2
3	505874301	ROD		1
4	505709401	ROD		1
5	505774001	PIN		1
6	505709301	ROD		1
7	505879301	ROD		1
8	505709801	PLATE		1
9	505711701	BRACKET		2
10	505718201	INSERT		1
11	505738001	SEAL		2
12	505714001	PLATE		2
13	505709501	ROD		2
14	505737201	SPRING		2
15	505667601	BUSHING		2
16	505748401	RETAINER RING		2
17	505733601	SNAP RING		2
18	505710201	BLOCK		2
19	505710601	ANGLE BRACKET		1
20	505760701	SPACER		1
21	505748301	INSERT		2
22	505601401	ARM		1
23	505787901	MAGNET		1
24	587918201	PIN		1
25	505635301	WASHER		8
26	505772901	SCREW		2
27	505630401	NUT		2
28	505726101	BOLT		2
29	505634201	WASHER		2
30	505634501	WASHER		4
31	505730001	SCREW		4
32	505627701	BOLT		4
33	505710301	BLOCK		1
34	505729601	BOLT		6
35	505633101	WASHER		16
36	505629501	SCREW		4
37	505629101	SCREW		4
38	505630001	SCREW		2
39	505734101	SCREW		4
40	505761501	SHIELD		1
41	505710001	INNER PLATE		1
42	505731801	WASHER		2
43	505627301	BOLT		2
44	505728801	BOLT		2
45	505718801	STIFFENER		1
46	505632701	WASHER		6
47	505629301	SCREW		3
48	505772801	BOLT		2
49	505632801	WASHER		1
50	505673101	PLATE		1
51	505731001	WASHER		3
52	510301001	WASHER		3
53	505727601	BOLT		3
54	505857601	BLADE		1
55	505882701	INNER PLATE		1
56	505879101	SHAFT		1
57	505879501	PLATE		1
58	505879001	SHAFT		1
59	505879401	ADAPTER		1
60	510272105	ASSEMBLY		1

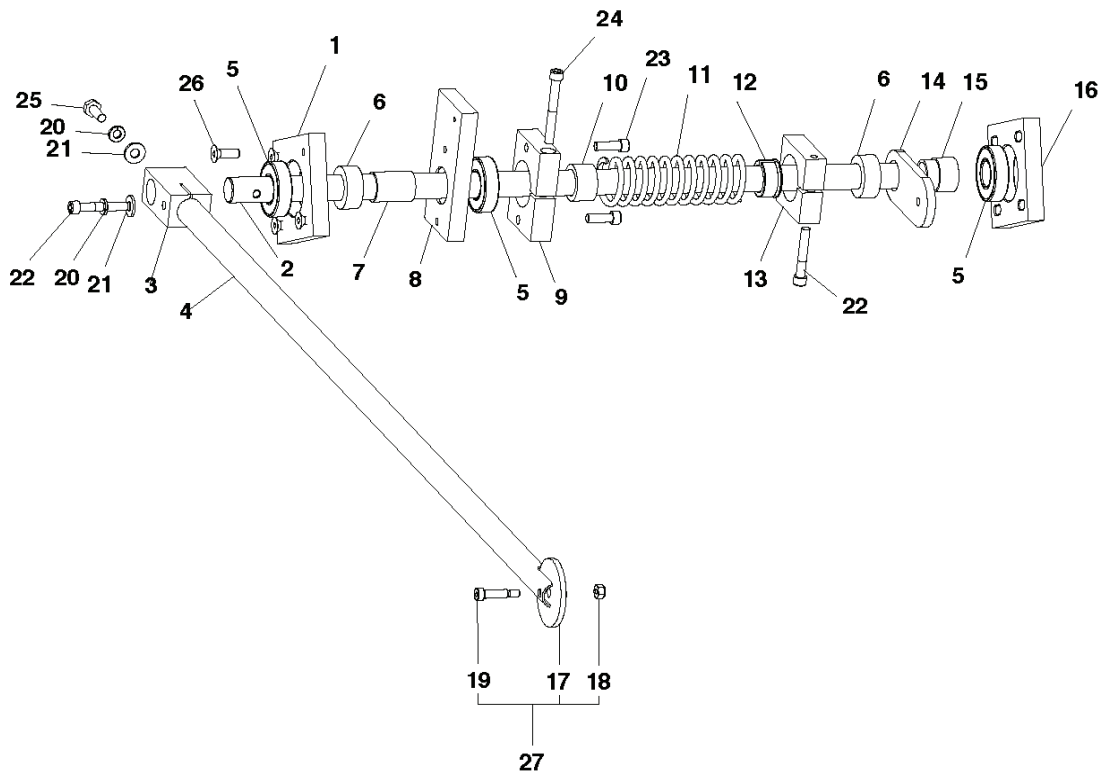
M SOFF CUT X2500
BLADE BLOCK COVER



EARLY ENTRY SAWS

PXM_REF	PXM_PARTNO	DESCRIPTION	PXM_REMARK	QTY.
1	505709101	COVER		1 22
2	505536301	KNOB		2 22
3	505710101	BLOCK		2 22
4	505710501	ANGLE BRACKET		1 22
5	505709901	PLATE		1
6	505721101	PLATE		1
7	505711601	BRACKET		1 22
8	505718801	STIFFENER		1
9	505729901	SCREW		4 22
10	505729701	BOLT		2 22
11	505633101	WASHER		6 22
12	505635301	WASHER		2 22
13	505627701	BOLT		4 22
14	505536401	WASHER		2 22
15	505536501	E-CLIP		2 22
16	505629301	SCREW		3
17	505632701	WASHER		6
18	505726101	BOLT		2
19	505634201	WASHER		2
20	505634501	WASHER		4
21	505879601	PLATE		1 22
22	505857601	BLADE		1
23	505482901	KNOB		1 22

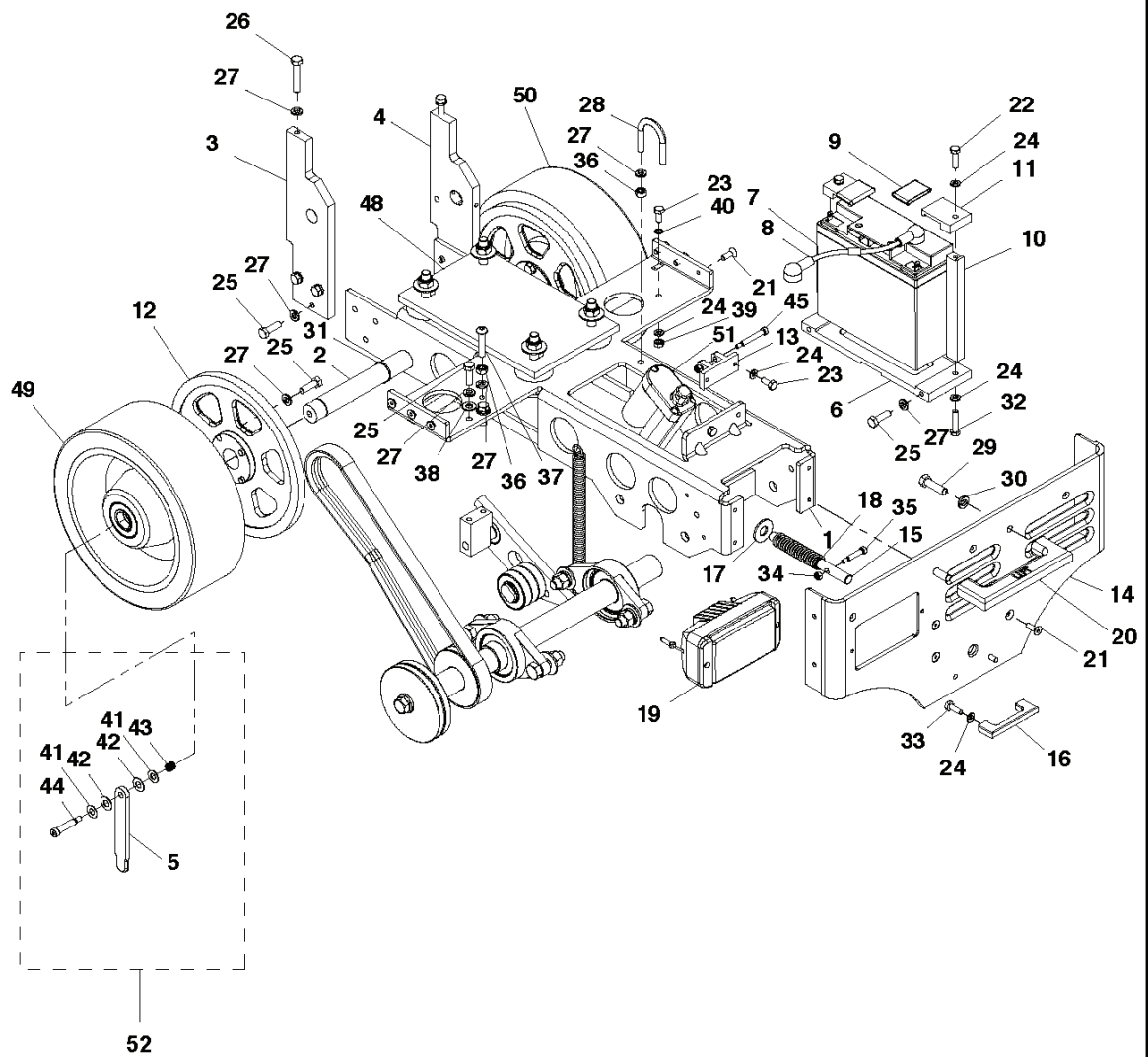
N SOFF CUT X2500
GUIDE ARM ASSEMBLY



EARLY ENTRY SAWS

PXM_REF	PXM_PARTNO	DESCRIPTION	PXM_REMARK	QTY.
1	505713701	PLATE		1
2	505713601	SHAFT		1
3	505707001	BLOCK		1
4	505713501	GUIDE		1
5	505736101	BEARING		3
6	505718401	SHAFT		2
7	505716201	BUSHING		1
8	505717101	SPRING		1
9	505717201	BLOCK		1
10	505717501	BUSHING		1
11	505737501	SPRING		1
12	505717401	BUSHING		1
13	505717301	BLOCK		1
14	505719101	PLATE		1
15	505719301	BUSHING		1
16	505713801	PLATE		1
17	505614201	DISC		1 27
18	505630401	NUT		1 27
19	505725801	BOLT		1 27
20	505632801	WASHER		2
21	505632001	WASHER		2
22	505728801	BOLT		2
23	505627801	BOLT		2
24	505728901	BOLT		1
25	505627501	BOLT		1
26	505628601	SCREW		4
27	505877701	WHEEL		1

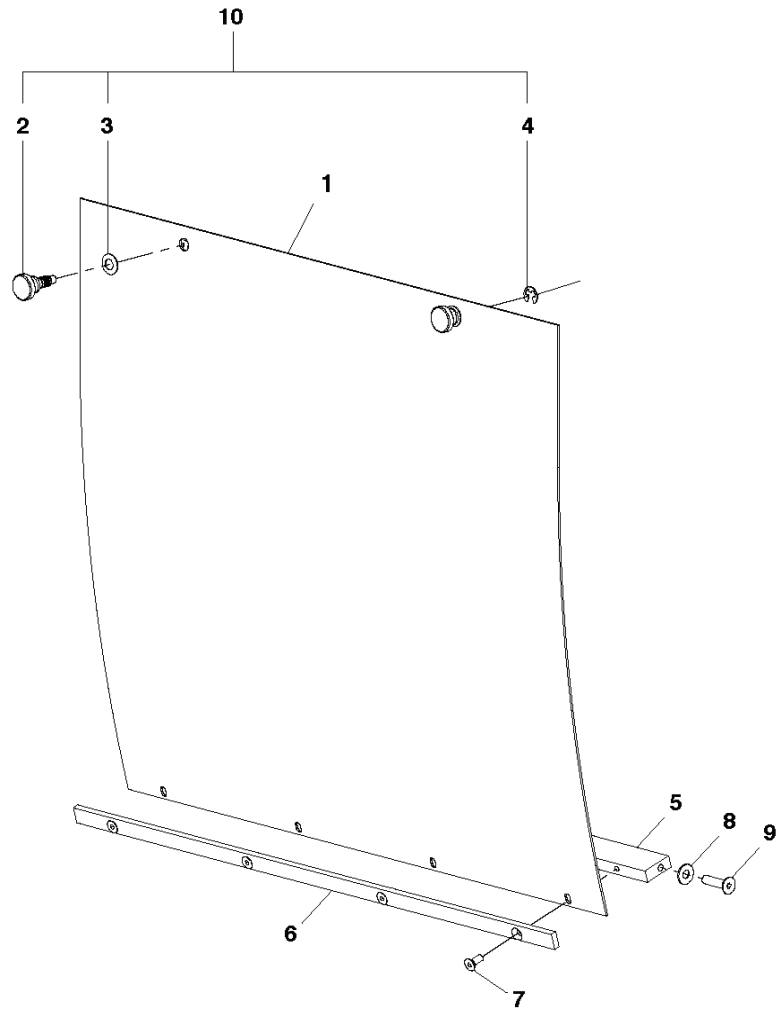
P SOFF CUT X2500
MAINFRAME ASSEMBLY



EARLY ENTRY SAWS

PXM_REF	PXM_PARTNO	DESCRIPTION	PXM_REMARK	QTY.
1	505609401	FRAME		1
2	505605401	AXLE		1
3	505705301	ARM		1
4	505607401	ARM		1
5	505718501	REAR AXLE		1
6	505714001	PLATE		1
7	505749901	BATTERY		1
8	575477801	WIRE ASSY		1
9	505747001	COVER		2
10	505718001	ARM		2
11	505718101	BLOCK		2
12	505865001	REAR AXLE		2
13	505706601	BRACKET		1
14	505605201	PLATE		1
15	505714101	SHAFT		1
16	505714201	SHAFT		1
17	505731401	WASHER		1
18	505737401	SPRING		1
19	505485001	HEADLAMP		1
20	505716901	HANDLE		1
21	505628601	SCREW		10
22	505727301	BOLT		2
23	505627401	BOLT		3
24	505632801	WASHER		9
25	539990209	SCREW		18
26	505728501	BOLT		2
27	505633001	WASHER		23
28	575421301	CLAMP		1
29	539976941	SCREW		2
30	505731001	WASHER		2
31	542206205	SNAP RING		3
32	505727401	BOLT		2
33	505627501	BOLT		2
34	505630401	NUT		2
35	505725901	BOLT		1
36	505732401	NUT		3
37	505722801	BHS 5/16-18-1 1/2 SS.		1
38	539990188	WASHER		2
39	505631901	NUT		1
40	505731801	WASHER		1
41	505725201	WASHER		2
42	505634501	WASHER		2
43	505636001	SPRING		1
44	505726601	BOLT		1
45	505726001	BOLT		1
48	505857801	MOTOR		1
49	505865301	WHEEL		1
50	505865401	WHEEL		1
51	505844701	BLADE		1
52	505857901	ARM		1

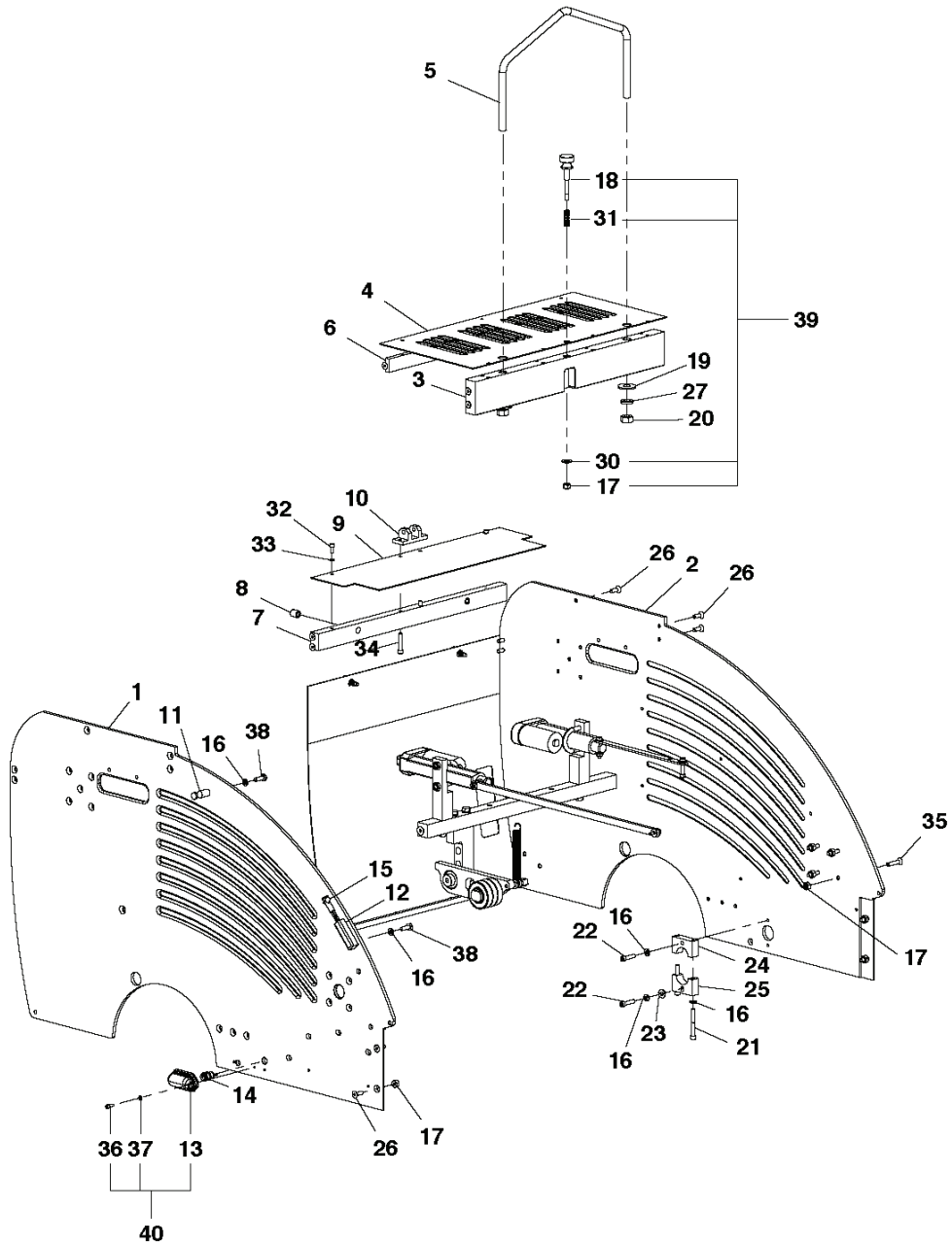
R SOFF CUT X2500
REAR ACCESS ASSEMBLY



EARLY ENTRY SAWS

PXM_REF	PXM_PARTNO	DESCRIPTION	PXM_REMARK	QTY.
1	505609601	PANEL		1
2	505536301	KNOB		2
3	505536401	WASHER		2
4	505536501	E-CLIP		2
5	505717001	CROSSBAR		1
6	505719401	BRACE		1
7	505729901	SCREW		4
8	505634401	WASHER		2
9	505628701	SCREW		2
10	505482901	KNOB		1

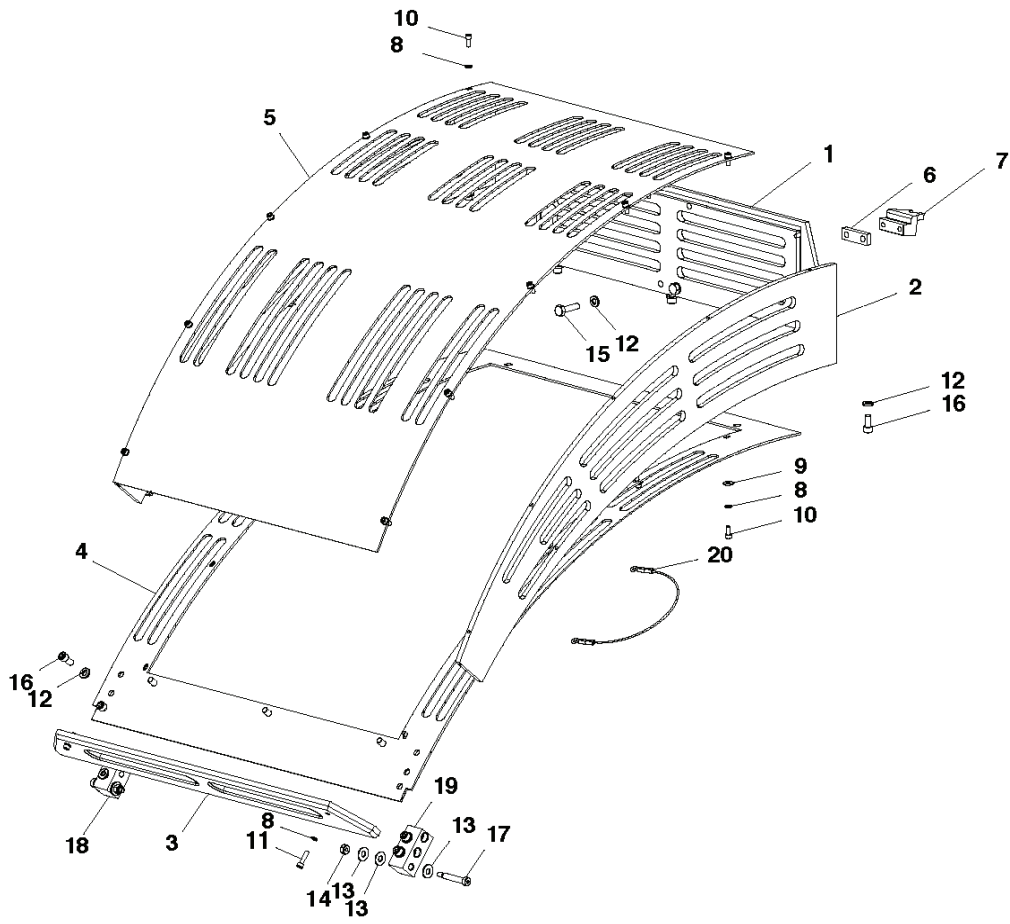
S SOFF CUT X2500
PANEL ASSEMBLY



EARLY ENTRY SAWS

PXM_REF	PXM_PARTNO	DESCRIPTION	PXM_REMARK	QTY.
1	505606501	SIDE PLATE (RIGHT)		1
2	505606601	SIDE PLATE (LEFT)		1
3	505606901	CROSSBAR		1
4	505606801	PAN		1
5	505607001	BAR		1
6	505708601	CROSSBAR		1
7	505708501	CROSS BAR (REAR ACCESS PANEL)		1
8	505748301	INSERT		3
9	505707301	PANEL COVER (HANDLE ACT. CROS		1
10	505706501	ACTUATOR		1
11	505718601	ROD		1
12	505717701	HOUSING		1
13	505752501	LIGHT		1
14	505787801	SENSOR		1
15	505846001	LIGHT		1
16	505632801	WASHER		6
17	505630501	NYLOC NUT 1/4-20 CAD PL.		9
18	505767201	HOOD		1
19	505731401	WASHER		2
20	505733301	NUT		2
21	505728901	BOLT		2
22	505627901	BOLT		2
23	505632001	WASHER		1
24	505716701	BLOCK		1
25	505716801	BLOCK		1
26	505628601	SCREW		14
27	505731101	WASHER		2
30	539990055	WASHER		1
31	505737101	SPRING		9
32	505729601	BOLT		2
33	505633101	WASHER		2
34	505628001	BOLT		2
35	505773401	SOCKET		4
36	505628201	BOLT		2
37	505632701	WASHER		2
38	505627501	BOLT		2
39	505886601	KNOB		1
40	505486901	LAMP		1

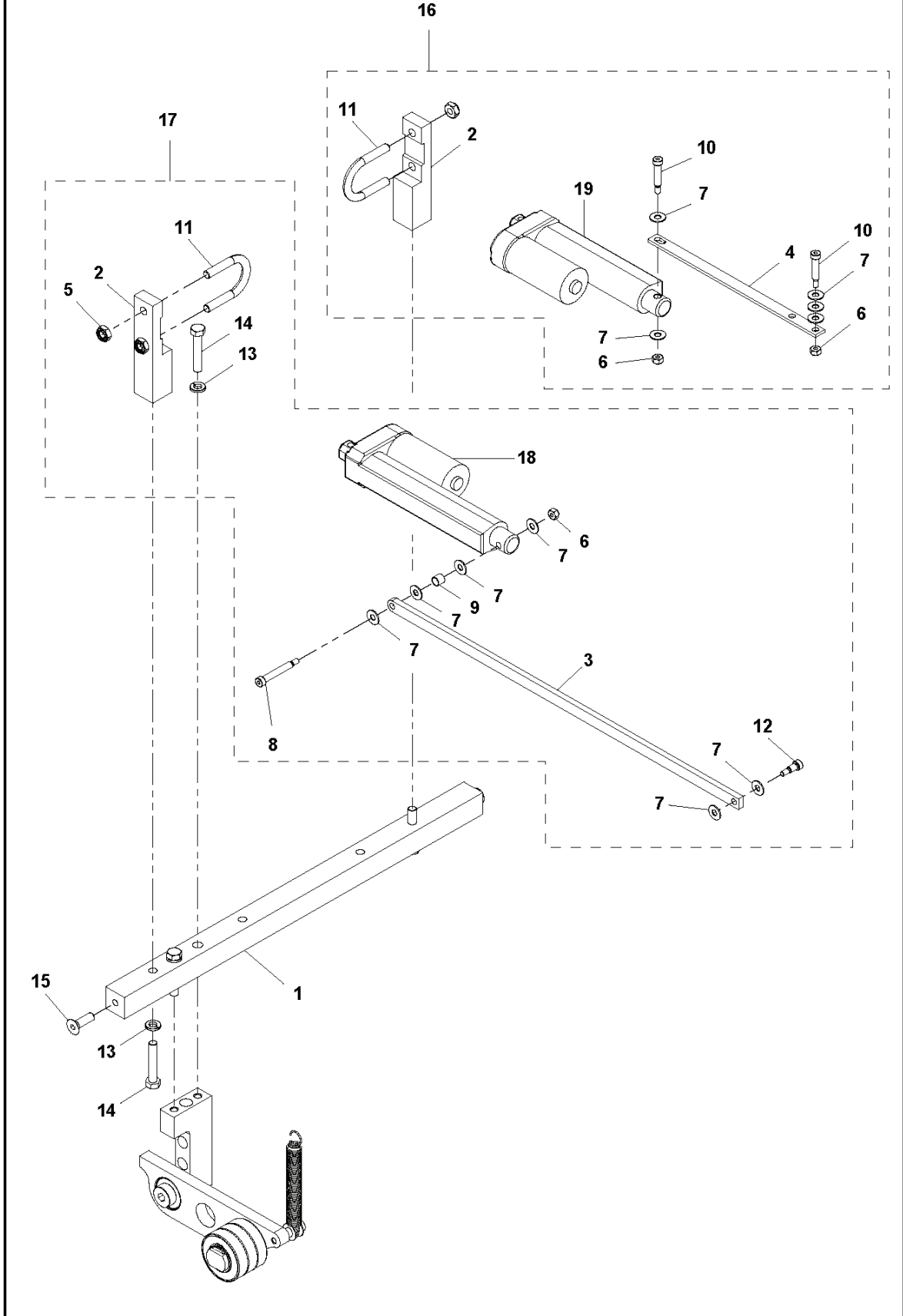
T SOFF CUT X2500
HOOD ASSEMBLY



EARLY ENTRY SAWS

PXM_REF	PXM_PARTNO	DESCRIPTION	PXM_REMARK	QTY.
1	505712501	REAR PLATE HOOD		1
2	505608501	SIDE HOOD PANEL		2
3	505712401	PLATE		1
4	505608401	HOOD		1
5	505608301	HOOD		1
6	505643401	SPACER		1
7	505719501	BLOCK		1
8	505632701	WASHER		24
9	505822601	WASHER		10
10	505628101	BOLT		20
11	505729101	BOLT		4
12	505632801	WASHER		12
13	505634401	WASHER		6
14	505630401	NUT		2
15	505727301	BOLT		2
16	505722301	BOLT		10
17	505811701	BOLT		2
18	505713101	BLOCK		1
19	505713001	BLOCK		1
20	505865201	WIRE		1

Q SOFF CUT X2500
PUMP CROSS BAR ASSEMBLY



EARLY ENTRY SAWS

PXM_REF	PXM_PARTNO	DESCRIPTION	PXM_REMARK	QTY.
1	505605801	CROSSBAR		1
2	505611001	BRACKET		2 17
3	505611101	ARM		1 17
4	505715801	ARM		1 16
5	505631701	NUT		4 17
6	505630401	NUT		3
7	505634401	WASHER		11 16
8	505726001	BOLT		1 17
9	505717901	BUSHING		1 17
10	505725901	BOLT		2 16
11	575421301	CLAMP		2
12	505686401	BOLT		1 17
13	505633001	WASHER		4 17
14	505728501	BOLT		4 17
15	505730101	SCREW		2
16	505844801	THROTTLE		1
17	505845001	ACTUATOR		1
18	579215101	ACTUATOR		1
19	505749601	ACTUATOR		1