

DM 406 H

Reservdelar

Spare parts

Ersatzteile

Pieces de rechange

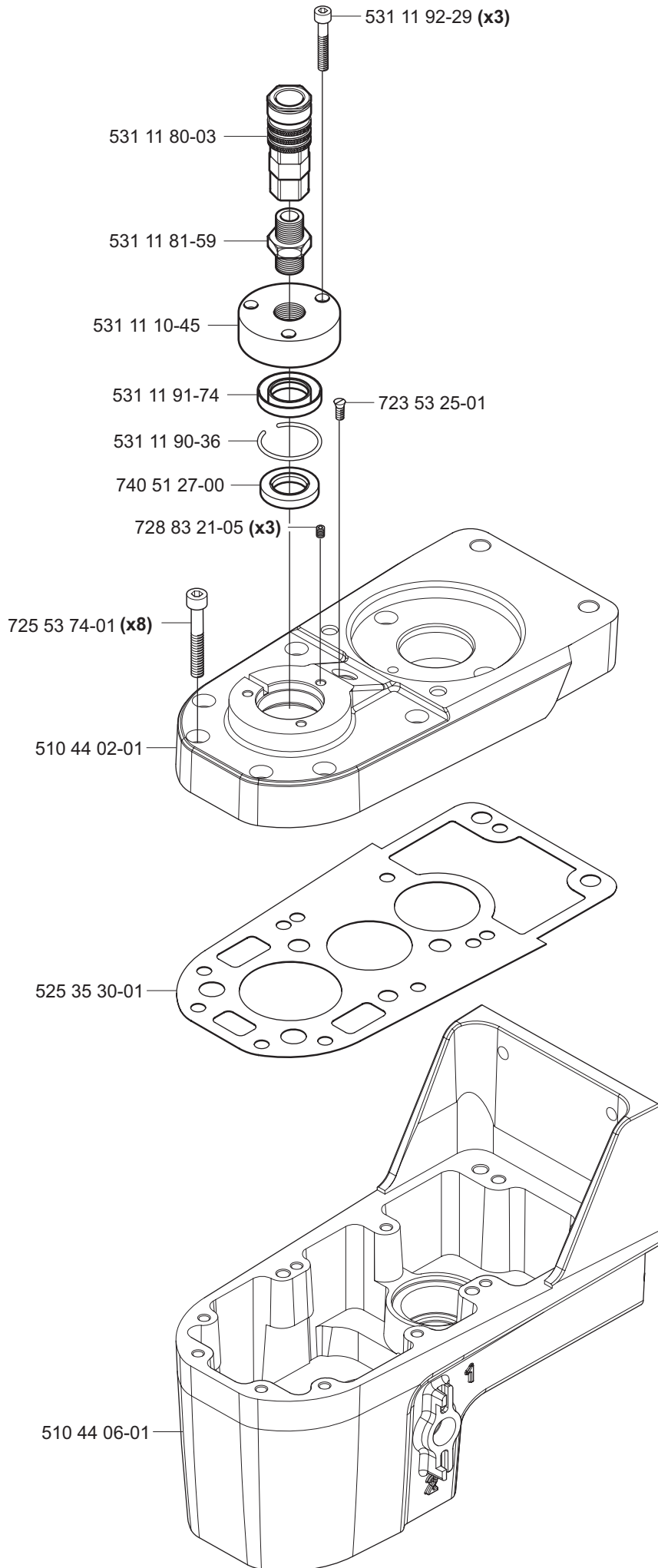
Piezas de repuesto

Ricambi

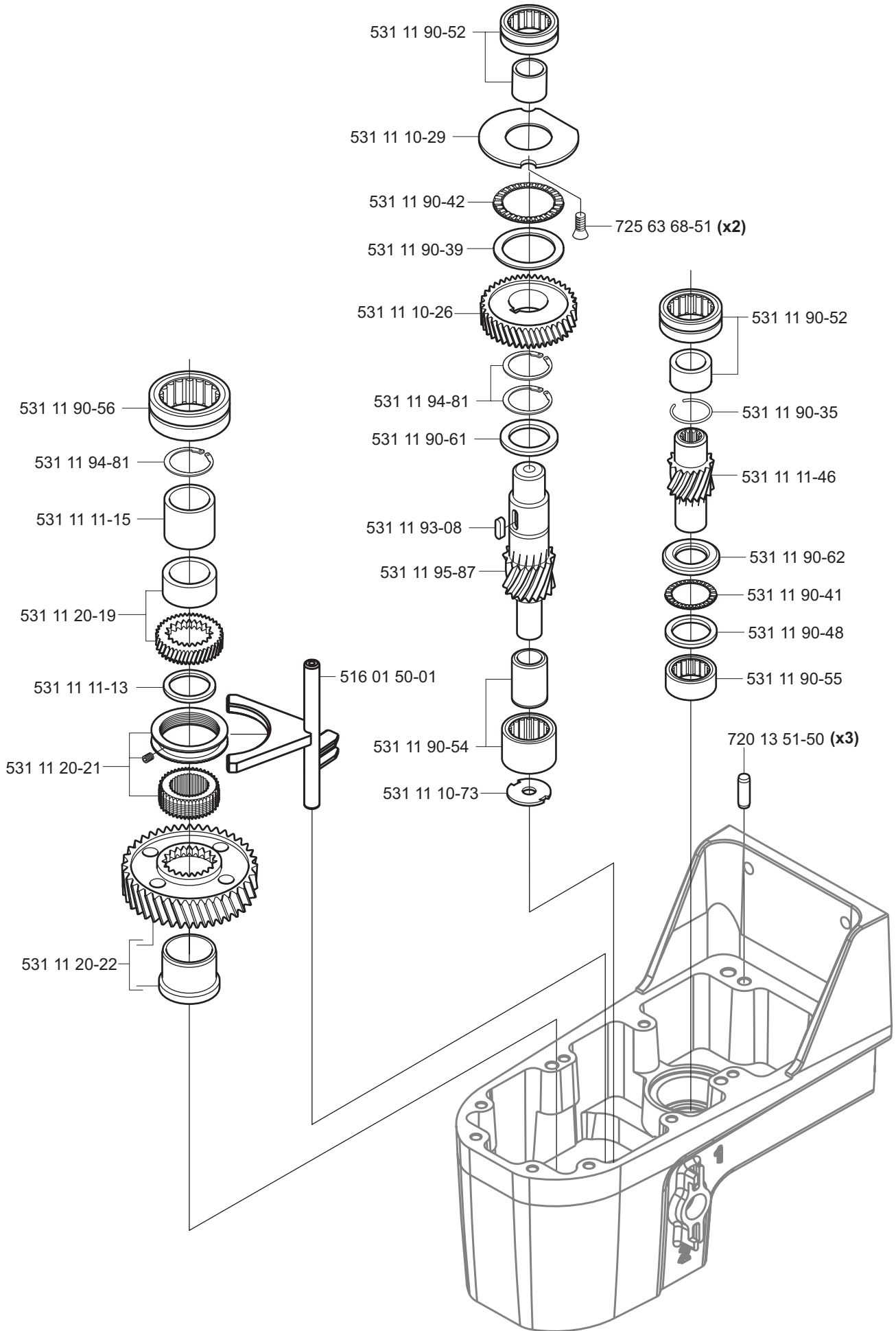
Peças sobresselente

No.	Pos.	Description	No.	Pos.	Description
504 69 63-01	C	Screw MLC6S 8x18	531 11 90-48	B	Bearing washer
504 90 83-33	C	Wedge	531 11 90-49	C	Casing washer
505 53 59-01	C	Spindle 1 1/4"	531 11 90-52	B	Needle bearing NA 49/22
510 43 95-01	C	Turning knob	531 11 90-53	C	Needle bearing NA 4908
510 43 96-01	C	Shaft	531 11 90-54	B	Needle bearing NA 6904
510 44 02-01	A	Lid	531 11 90-55	B	Needle bearing NK 25/16
510 44 03-01	C	Backing plate	531 11 90-56	B	Needle bearing NKS 32
510 44 05-01	C	Lid	531 11 90-60	C	Gamma sealing 40x57
510 44 06-01	A	Gear Housing	531 11 90-61	B	Support washer 26x37x2
516 01 50-01	B	Shaft	531 11 90-62	B	Shaft washer WS 81105
522 82 77-01	G	Husqvarna oil 220 3 dl.	531 11 90-98	EF	Spring LBR 45 F
525 35 24-01	C	Backing plate	531 11 90-99	EF	Ball 6 mm
525 35 30-01	A	Gasket	531 11 91-13	F	Handle
525 35 32-01	C	O-ring 62x3	531 11 91-74	A	Shaft seal 15x32x7
525 35 34-01	C	Spring	531 11 91-76	C	Shaft seal 40x55x7
525 35 35-01	C	Ring	531 11 91-85	E	Sealing washer 1/2"
525 35 36-01	C	Cylindrical pin 3x22	531 11 92-16	C	Screw M6S 6x8
531 11 10-17	C	Thrust bearing	531 11 92-29	A	Screw MC6S 5x22
531 11 10-26	B	Gear wheel	531 11 92-53	F	Screw MLC6S 6x20
531 11 10-29	B	Bearing bracket	531 11 92-55	E	Screw MLC6S 6x45
531 11 10-45	A	Water swivel	531 11 92-57	F	Screw MLC6S6x55
531 11 10-55	F	Top sliding ring	531 11 92-66	F	O-ring 21.2x3
531 11 10-56	F	Bottom sliding ring	531 11 92-70	D	O-ring 24.2x3
531 11 10-59	F	Valve cone	531 11 92-93	D	O-ring 80x1.6
531 11 10-60	F	Valve lining	531 11 93-08	B	Key 6x6x16
531 11 10-62	F	Valve plate	531 11 93-19	D	Seal SCN 18x30x6
531 11 10-69	D	Return pipe	531 11 93-37	F	Plug VSTI M10x1
531 11 10-70	E	Main valve	531 11 93-40	DF	Plug VST R1/2"
531 11 10-71	E	Main valve lever	531 11 93-41	E	Plug VSTI R1/4"
531 11 10-72	E	Valve cover	531 11 93-43	D	Plug VSTI R3/8"
531 11 10-73	B	Thrust bearing	531 11 94-12	C	Washer
531 11 11-02	F	Valve label	531 11 94-81	B	Circlip AV 25
531 11 11-13	B	Axial support	531 11 95-87	B	Intermediate shaft
531 11 11-15	B	Bearing sleeve	531 12 13-44	D	Support ring SCN
531 11 11-18	F	Stop pin	531 14 10-86	F	Plug PLC
531 11 11-19	F	Valve lever hub	574 32 63-01	F	RPM Plate
531 11 11-43	E	Valve casing DM 406 H	720 13 51-50	B	Cylindrical pin 6x16
531 11 11-44	D	Retracting block DM 406 H	720 18 10-50	C	Cylindrical pin 8x24
531 11 11-46	B	Input shaft DM 406 H	721 42 56-00	E	Locking pin 4x20
531 11 11-66	F	Valve lever	721 42 62-00	F	Locking pin 4x32
531 11 11-90	C	Adapter 1 1/4" to CR 28 tread	723 52 22-01	F	Screw MFS 3x8
531 11 11-91	C	Spindle CR 32 for Japan	723 53 25-01	AE	Screw MFS 5x10
531 11 20-06	D	Hydraulic motor DM 406 H	725 53 70-01	C	Screw MC6S 6x20
531 11 20-13	D	Watercoupling w. valve	725 53 74-01	A	Screw MC6S 6x30
531 11 20-19	B	Gear wheel DM 406 H Compl	725 53 76-01	D	Screw MC6S 6x35
531 11 20-21	B	Gear carrier Compl	725 54 55-01	CD	Screw MC6S 8x30
531 11 20-22	B	Gear wheel DM 406 H Compl	725 54 63-01	D	Screw MC6S 8x60
531 11 30-78	D	Seal scn assy	725 63 68-51	B	Screw MF6S 6x16 10.9
531 11 80-03	AD	Coupling	728 83 21-05	A	Stop screw SK6SS 5x6
531 11 80-05	D	Hose coupling	731 23 18-01	C	Nut M8
531 11 80-18	D	Ball valve	734 11 63-01	CD	Washer 8.4x16
531 11 80-49	E	Coupling	735 31 30-10	D	Circlip SGH30
531 11 80-50	E	Coupling	740 38 08-01	C	Sealing washer M6
531 11 80-80	F	Pressure relief valve	740 42 14-00	F	O-ring 16.1x1.6
531 11 81-13	C	Plug	740 42 17-00	DE	O-ring 19.1x1.6
531 11 81-59	A	Coupling 1/2"-3/8"	740 43 07-00	E	O-ring 9.3x2.4
531 11 82-00	E	Adaptor sleeve	740 43 08-00	C	O-ring 10.3x2.4
531 11 83-55	D	Coupling	740 43 09-00	F	O-ring 11.3x2.4
531 11 90-14	D	Hose clamp	740 43 12-00	E	O-ring 14.3x2.4
531 11 90-32	G	Wrench 32mm	740 43 13-00	E	O-ring 15.3x2.4
531 11 90-33	G	Wrench 41mm	740 44 04-00	E	O-ring 19.2x3
531 11 90-35	B	Retaining ring 24x2	740 44 05-00	F	O-ring 22.2x3
531 11 90-36	A	Retaining ring 30x2	740 44 09-00	F	O-ring 32.2x3
531 11 90-39	B	Bearing washer	740 51 27-00	A	Shaft seal 15x30x7
531 11 90-40	C	Bearing washer			
531 11 90-41	B	Thrust bearing			
531 11 90-42	B	Thrust bearing			
531 11 90-43	C	Thrust bearing			
531 11 90-45	E	Ball D20xM5			
531 11 90-47	F	Sealing washer marked			

A DM 406 H

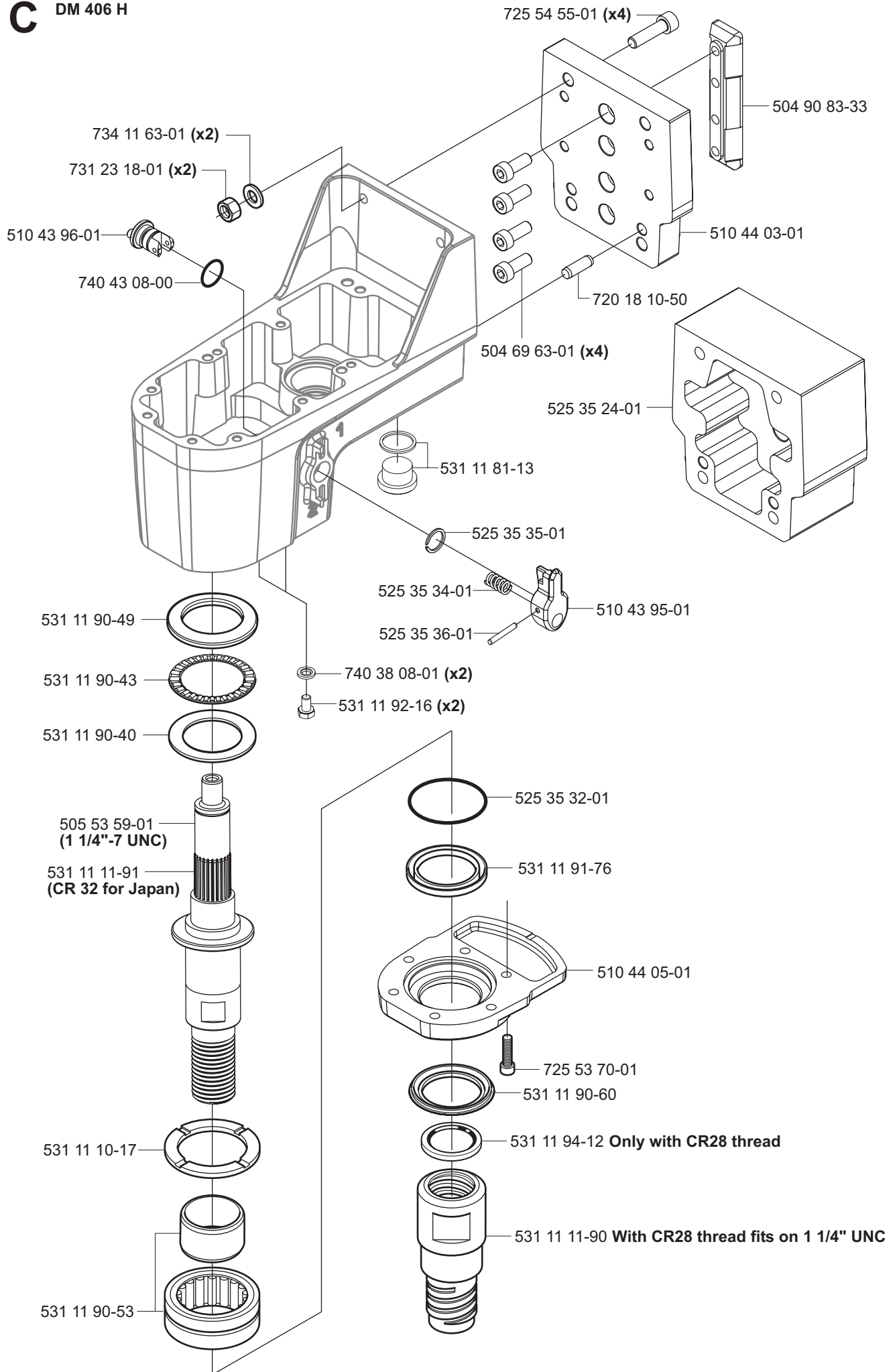


B DM 406 H



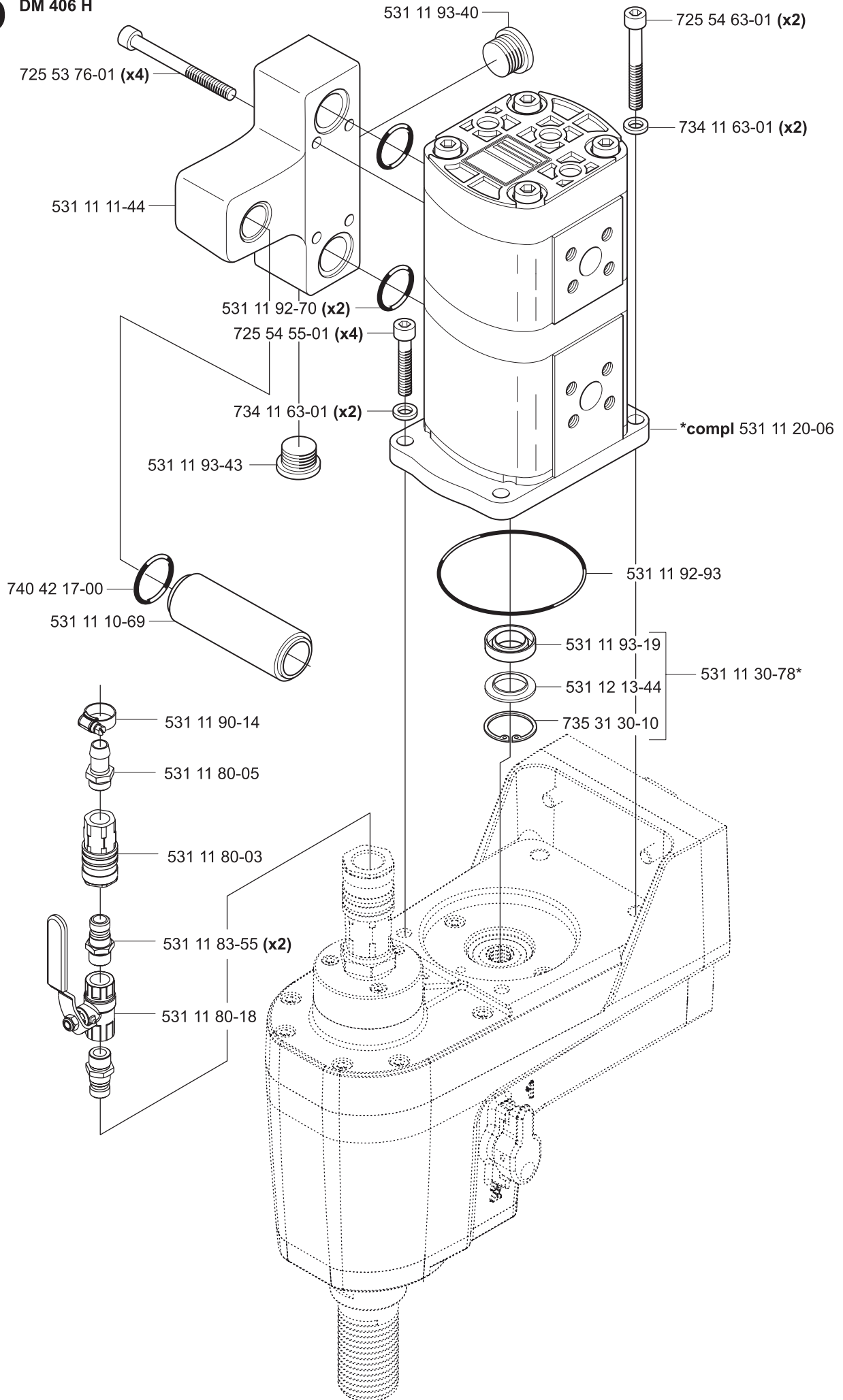
C

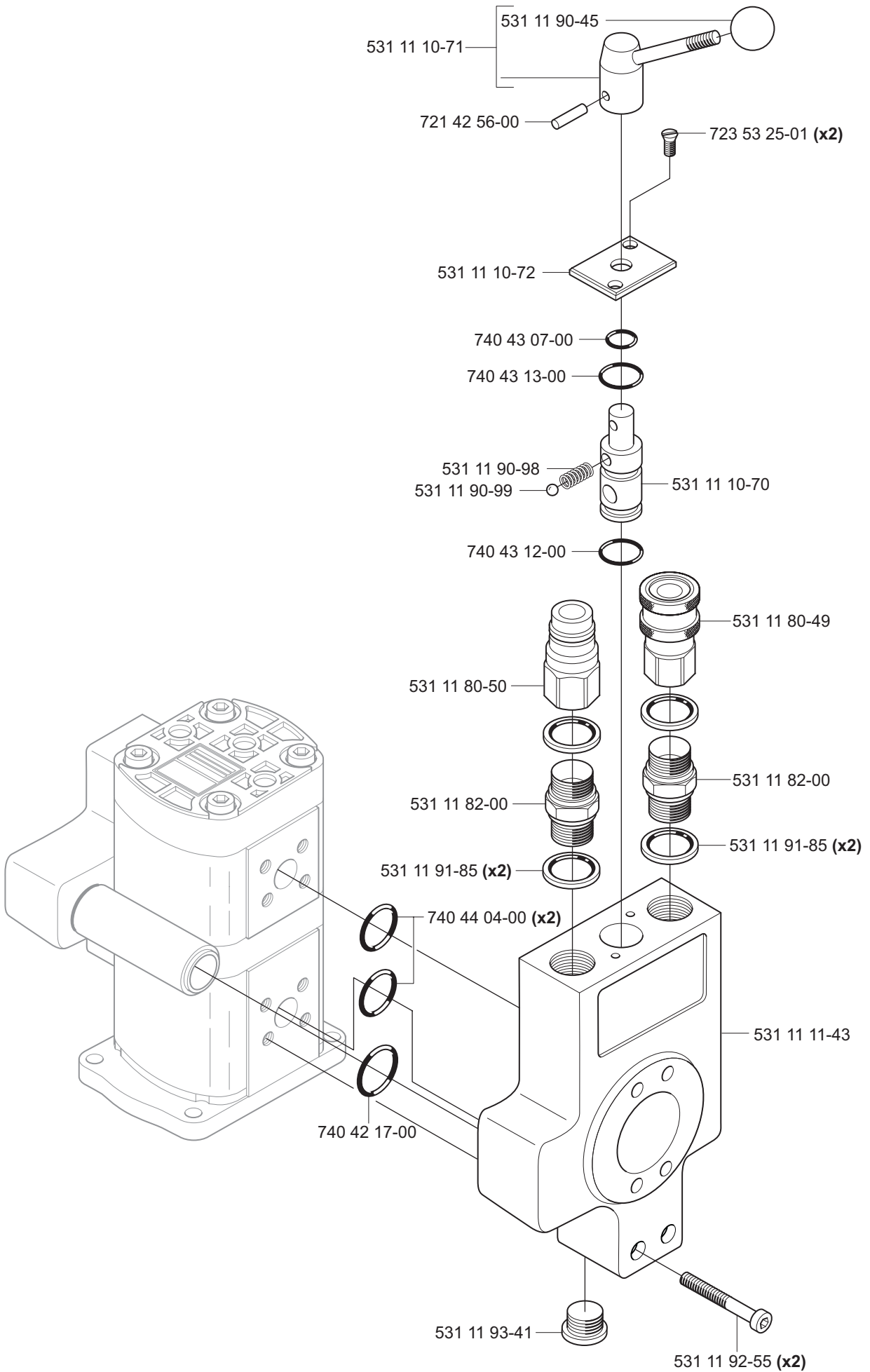
DM 406 H



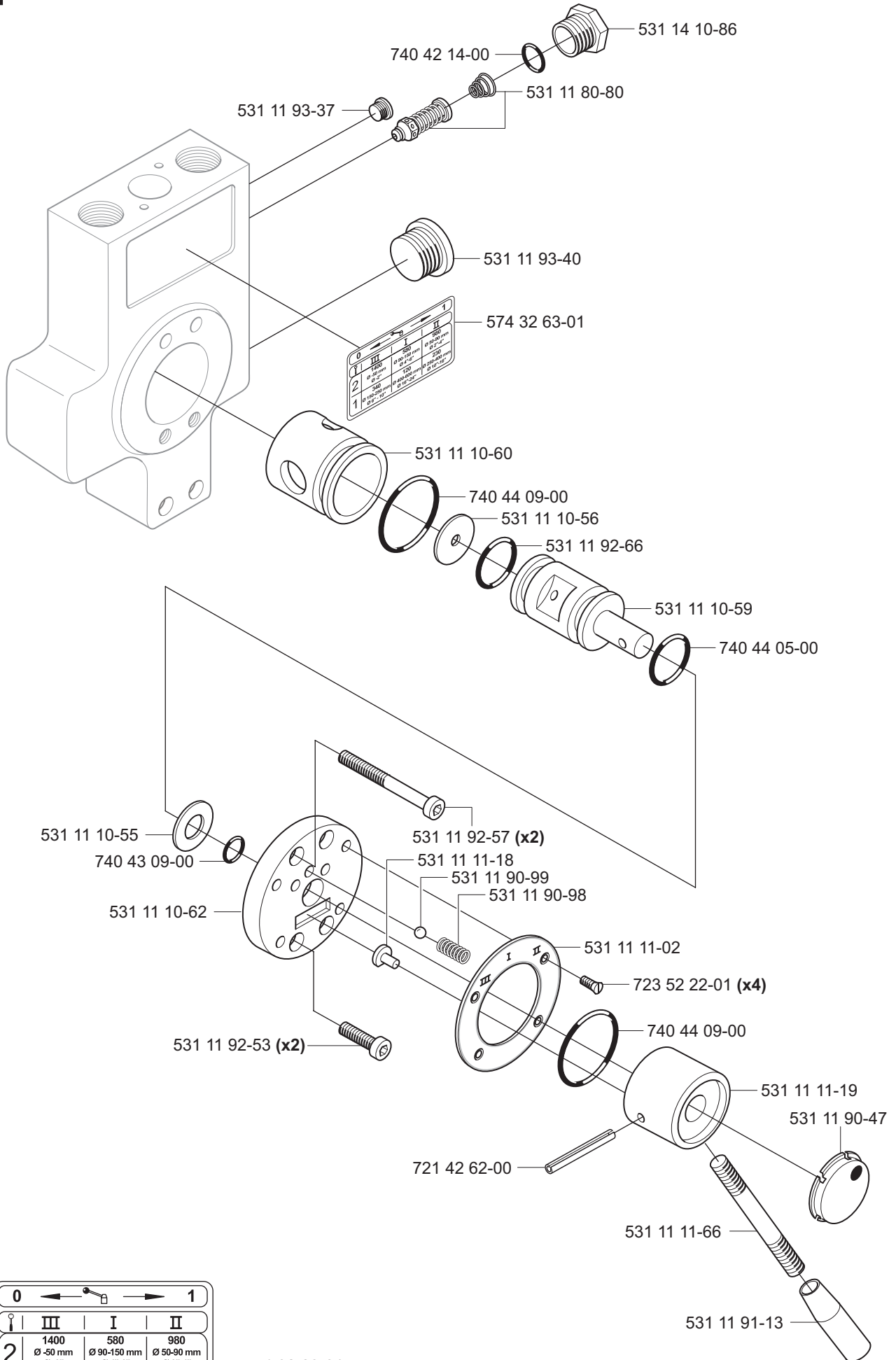
D

DM 406 H





F DM 406 H



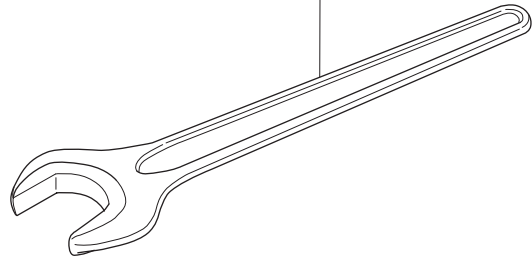
	0	1	
	III	I II	
2	1400 Ø -50 mm Ø -2"	580 Ø 90-150 mm Ø 4"-6"	980 Ø 50-90 mm Ø 2"-4"
1	340 Ø 150-250 mm Ø 6" - 10"	120 Ø 400-600 mm Ø 16"-24"	230 Ø 250-400 mm Ø 10"-16"

574 32 63-01

522 82 77-01



531 11 90-32 (32mm)



531 11 90-33 (41mm)

