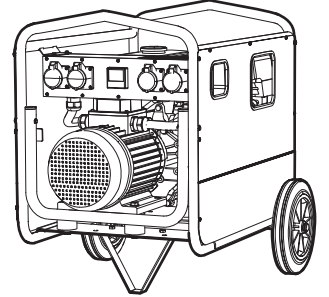


Spare parts list Electric generators



Contents

General information.....	5
Spare parts list.....	6
Protective frame, CFG 25 and CFD 33.....	6
Protective frame and transport wheel, CFG 67 and CFD 67.....	8
Engine and generator installation, CFG 25.....	10
Engine and generator installation, CFD 33.....	14
Engine and generator installation, CFG 67.....	18
Engine and generator installation, CFD 67.....	22
Labels.....	26
Kits.....	28
One year service kit, Honda GX 160.....	28
One year service kit, Honda GX 270.....	28
One year service kit, Lombardini 15 LD 350.....	28

General information

This spare parts list applies to the following:

Part number	Description
967928201	GENERATOR CFG 25 25 A 42 V 3-phase 200 Hz
967928301	GENERATOR CFD 33 Lombardini 15LD225
967928401	GENERATOR CFG 67 67 A 42 V 3-phase 200 Hz
967928501	GENERATOR CFD 67 67 A 42 V 3-phase 200 Hz

Use only authorized parts. Any damage or malfunction caused by the use of unauthorized parts is not covered by Warranty or Product Liability. Any unauthorized use or copying of the contents or any part thereof is prohibited. This applies in particular to trademarks, model denominations, part numbers, and drawings.

Instructions for use

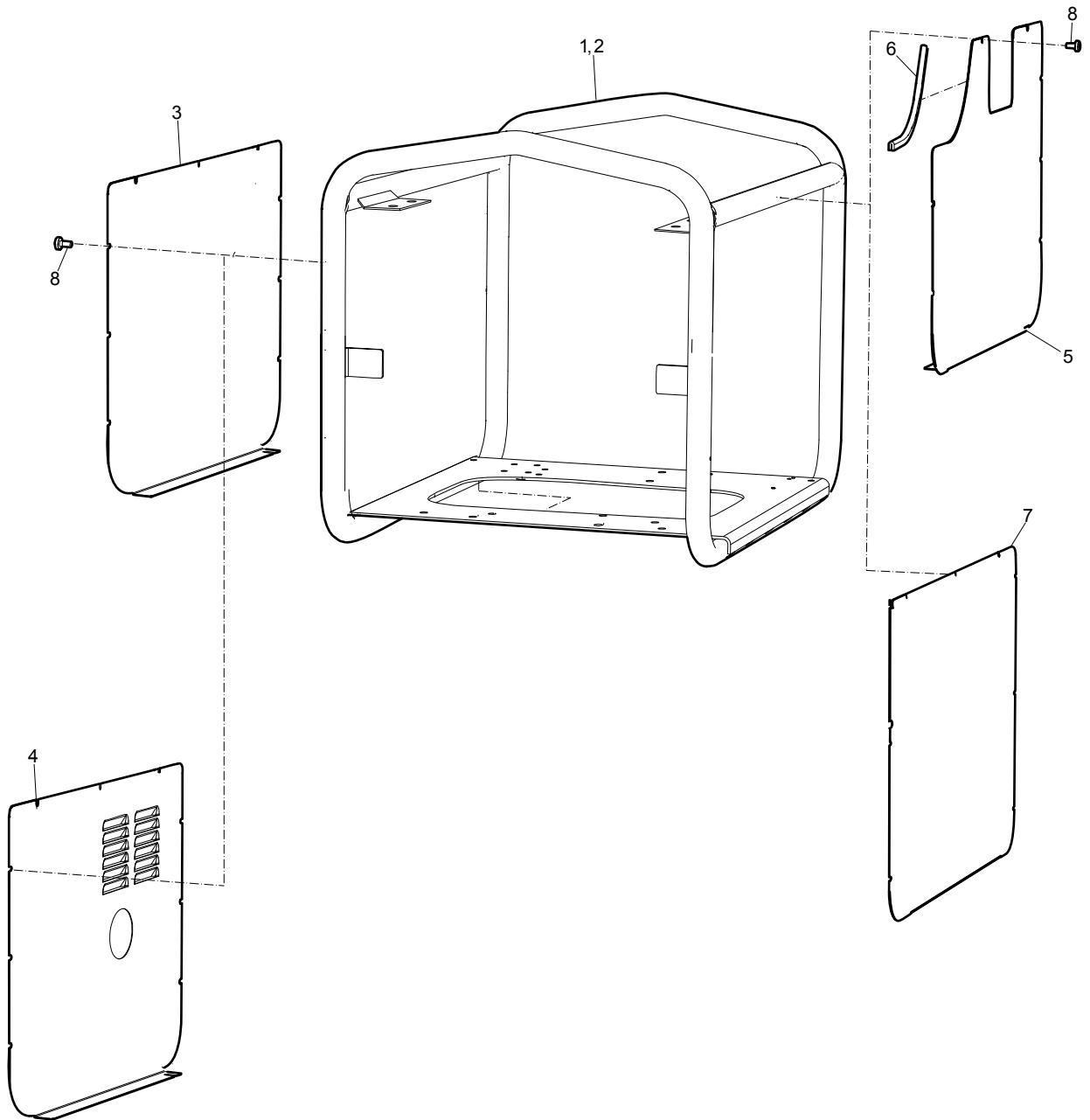
This spare parts list contains no safety regulations and is merely intended to assist in the ordering of spare parts.

For information about operating, servicing, or repairing, the relevant Safety and operating instructions must be consulted at all costs.

Please observe the safety instructions listed in the relevant Safety and operating instructions!

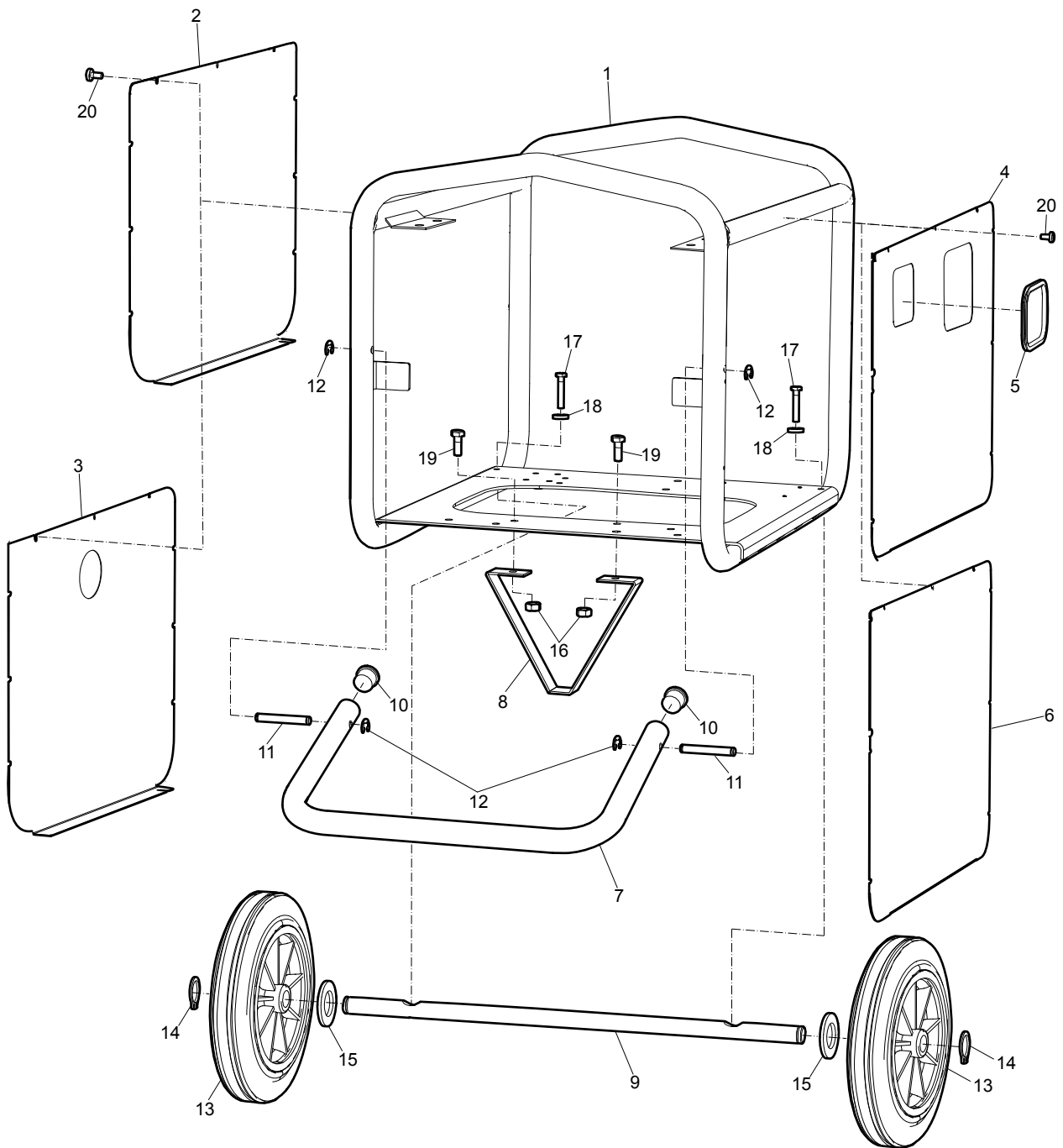
Spare parts list

Protective frame, CFG 25 and CFD 33



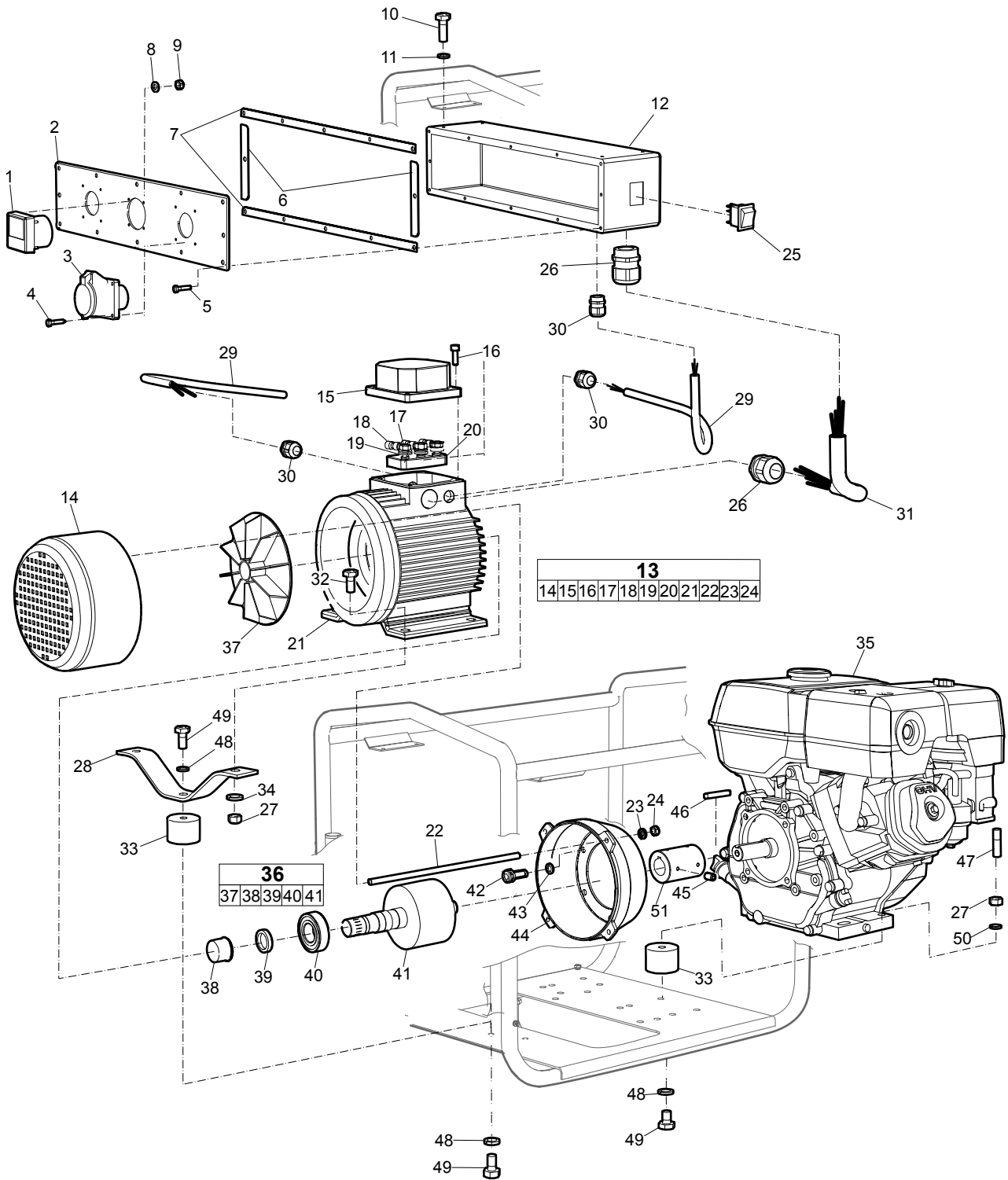
No.	Description	Remark	Quantity	Part number
1	Protective frame	CFG 25	1	596866036
2	Protective frame	CFD 33	1	596866035
3	Left cover	CFG 25	1	595927801
4	Left cover	CFD 33	1	595928001
5	Right cover	CFG 25	1	595927701
6	Edge trim	CFG 25	1	595987401
7	Right cover	CFD 33	1	595927901
8	Screw	M4 x 8 mm	18	-

Protective frame and transport wheel, CFG 67 and CFD 67



No.	Description	Remark	Quantity	Part number
1	Protective frame		1	596866035
2	Left cover	CFG 67	1	595928801
3	Left cover	CFD 67	1	595929001
4	Right cover	CFG 67	1	595928901
5	Edge trim	CFG 67	1	595987401
6	Right cover	CFD 67	1	595927901
7	Handle		1	595928501
8	Support		1	595928401
9	Wheel bar		1	595478601
10	Protective plug		2	595134301
11	Pin		2	595478801
12	Circlip		4	594266501
13	Wheel		2	594371101
14	Retainer ring		2	594278001
15	Washer	21 x 36 x 3 mm 0.83 x 1.42 x 0.12 in.	2	-
16	Nut	M8	2	-
17	Screw	M6 x 40 mm	2	-
18	Washer	6.1 x 11.5 x 1.6 mm 0.24 x 0.45 x 0.06 in.	2	-
19	Screw	M8 x 12 mm	2	-
20	Screw	M4 x 8 mm	18	-

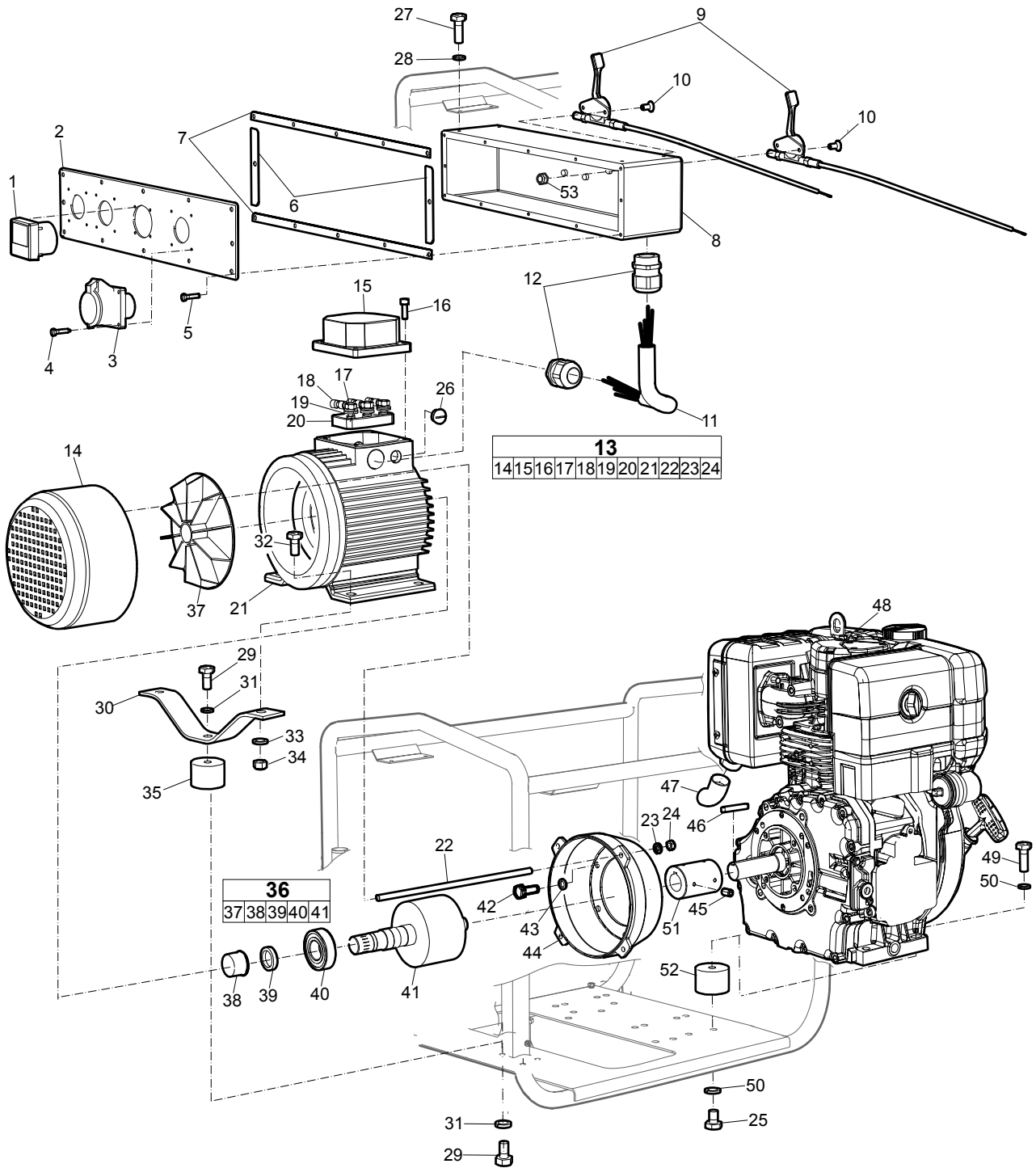
Engine and generator installation, CFG 25



No.	Description	Remark	Quantity	Part number
1	Voltmeter		1	596866037
2	Panel		1	596866047
3	Power socket		2	594273801
4	Tapping screw	3.5 x 16 mm	8	-
5	Tapping screw	3.5 x 10 mm	12	-
6	Sealing strip	6 x 3 x 88 mm 0.24 x 0.12 x 3.46 in.	2	595155101
7	Sealing strip	6 x 3 x 88 mm 0.24 x 0.12 x 3.46 in.	2	595155101
8	Washer	3.2 x 6 x 0.5 mm 0.13 x 0.24 x 0.02 in.	4	-
9	Nut	M3	4	-
10	Screw	M5 x 12 mm	4	-
11	Washer	5.1 x 10 x 1 mm 0.20 x 0.39 x 0.04 in.	4	-
12	Instrument box		1	596866042
13(14-24)	Generator housing, complete		1	595927601
14	Fan cover		1	595196101
15	Lid		1	-
16	Screw	M5 x 16 mm	4	-
17	Nut	M6	3	-
18	Cable clip		3	-
19	Washer	6.1 x 12 x 1 mm 0.24 x 0.47 x 0.04 in.	6	-
20	Connection block		1	-
21	Generator housing		1	-
22	Stud		4	595351101
23	Washer	5.3 x 10 x 1 mm 0.21 x 0.39 x 0.04 in.	4	-
24	Nut	M6	4	-
25	Switch		1	594862701
26	Conduit entry		2	595462401
27	Nut	M8	4	-
28	Bracket		1	596866049
29	Wiring harness		2	594380801
30	Conduit entry		3	595144201
31	Wiring harness		1	594528901
32	Screw	M8 x 20 mm	2	-
33	Shock absorber		3	594494701
34	Washer	8.2 x 16 x 1.5 mm 0.32 x 0.63 x 0.06 in.	2	-
35	Engine, complete	Honda GX160	1	595198501
36(37-41)	Rotor, complete		1	595478901
37	Fan		1	594620701
38	Bushing		1	594620801
39	Sealing		1	594860101
40	Ball bearing	6205 2RSL	1	595354501
41	Rotor		1	-
42	Screw	M8 x 22 mm	4	-
43	Spring washer	8.1 x 13 x 2 mm 0.32 x 0.51 x 0.08 in.	4	-
44	Adapter		1	595927501
45	Set screw	M8 x 8 mm	4	-
46	Key		1	595353601
47	Stud	M8 x 40 mm	2	594287401

No.	Description	Remark	Quantity	Part number
48	Washer	8.2 x 13.5 x 2.5 mm 0.32 x 0.53 x 0.10 in.	4	-
49	Screw	M8 x 12 mm	4	-
50	Washer	8.1 x 20 x 2 mm 0.32 x 0.79 x 0.08 in.	2	-
51	Shaft coupling		1	595478301

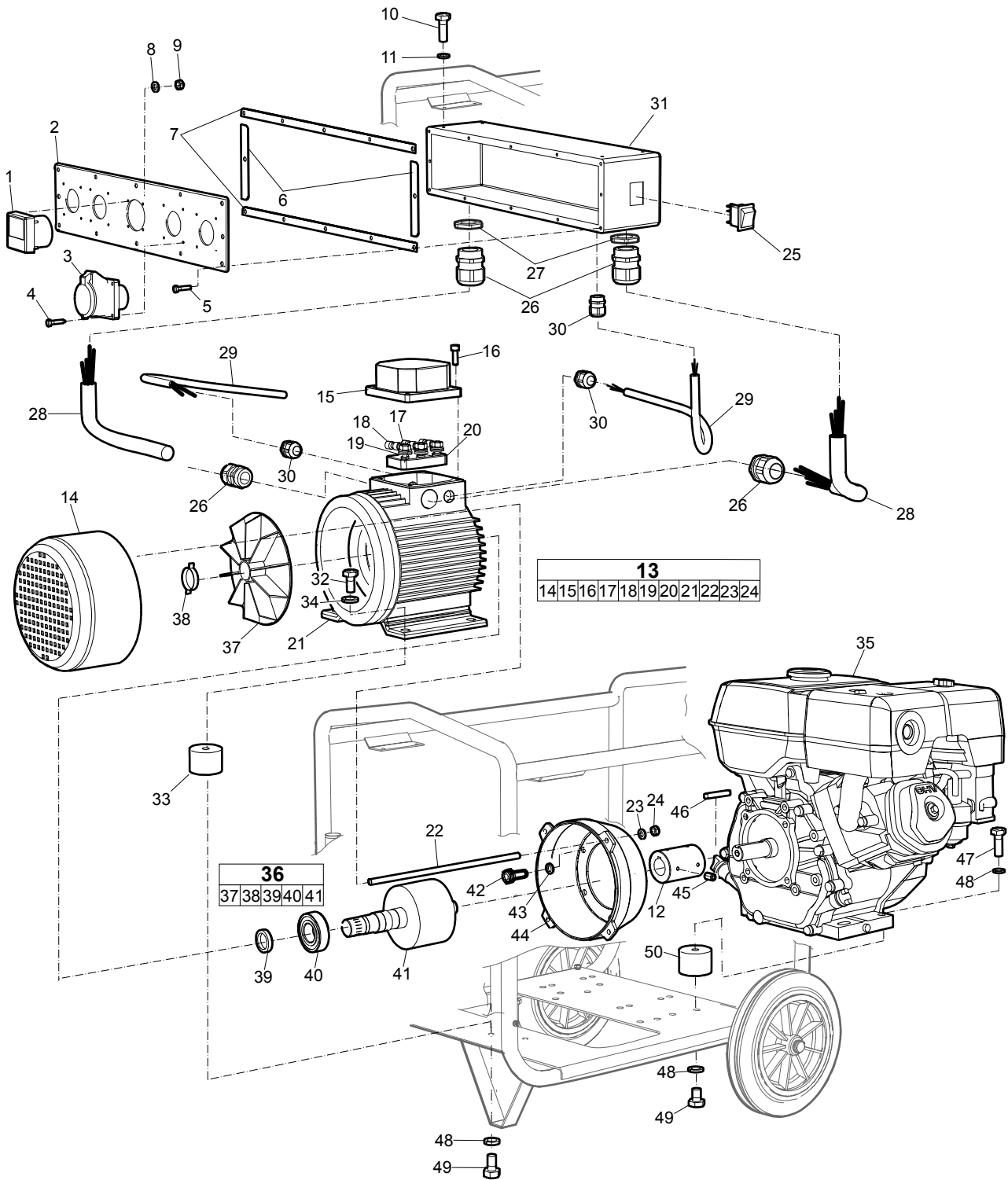
Engine and generator installation, CFD 33



No.	Description	Remark	Quantity	Part number
1	Voltmeter		1	596866037
2	Panel		1	596866046
3	Power socket		3	594273801
4	Tapping screw	3.5 x 16 mm	12	-
5	Tapping screw	3.5 x 10 mm	12	-
6	Sealing strip	6 x 3 x 88 mm 0.24 x 0.12 x 3.46 in.	2	595155101
7	Sealing strip	6 x 3 x 88 mm 0.24 x 0.12 x 3.46 in.	2	595155101
8	Instrument box		1	596866041
9	Control		2	594224101
10	Screw	M5 x 10 mm	4	-
11	Wiring harness		1	595185201
12	Conduit entry		2	595462401
13(14-24)	Generator housing, complete		1	595927601
14	Fan cover		1	595196101
15	Lid		1	-
16	Screw	M5 x 16 mm	4	-
17	Nut	M6	3	-
18	Cable clip		3	-
19	Washer	6.1 x 12 x 1 mm 0.24 x 0.47 x 0.04 in.	6	-
20	Connection block		1	-
21	Generator housing		1	-
22	Stud		4	595351101
23	Washer	5.3 x 10 x 1 mm 0.21 x 0.39 x 0.04 in.	4	-
24	Nut	M5	4	-
25	Screw	10 x 14 mm	4	-
26	Protective plug		2	595355501
27	Screw	M5 x 12 mm	4	-
28	Washer	5.1 x 10 x 1 mm 0.20 x 0.39 x 0.04 in.	4	-
29	Screw	M8 x 12 mm	2	-
30	Bracket		1	596866050
31	Washer	8.1 x 13.5 x 2.5 mm 0.32 x 0.53 x 0.10 in.	2	-
32	Screw	M8 x 20 mm	2	-
33	Washer	8.2 x 16 x 1.5 mm 0.32 x 0.63 x 0.06 in.	2	-
34	Nut	M8	2	-
35	Shock absorber		1	594494701
36(37-41)	Rotor, complete		1	595479401
37	Fan		1	594620701
38	Bushing		1	594620801
39	Spacer		1	594860101
40	Ball bearing	6205 2RSL	1	595354501
41	Rotor		1	-
42	Screw	UNF 5/16 x 0.87 in.	4	-
43	Spring washer	8.1 x 13 x 2 mm 0.32 x 0.51 x 0.08 in.	4	-
44	Adapter		1	595927501
45	Set screw	M8 x 8 mm	4	-
46	Key		1	595353601
47	Exhaust pipe		1	595479301

No.	Description	Remark	Quantity	Part number
48	Engine	Lombardini 15 LD 225	1	595479201
49	Screw	M10 x 30 mm	4	-
50	Washer	10.2 x 17.2 x 2 mm 0.40 x 0.68 x 0.08 in.	8	-
51	Shaft coupling		1	595478201
52	Shock absorber		4	594396301
53	Nut	M5	4	-

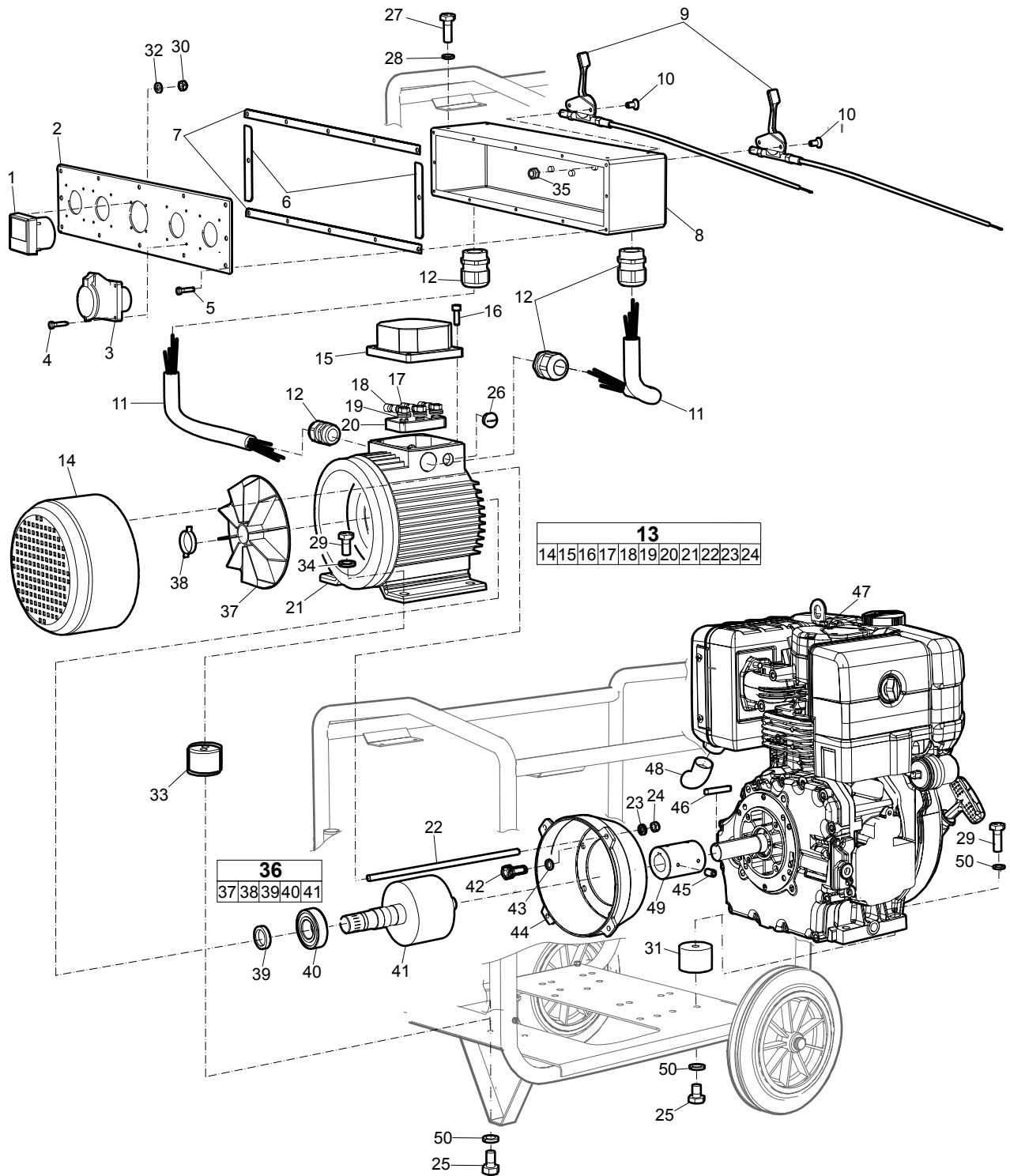
Engine and generator installation, CFG 67



No.	Description	Remark	Quantity	Part number
1	Voltmeter		1	596866037
2	Panel		1	596866048
3	Power socket		4	594273801
4	Tapping screw	3.5 x 16 mm	16	-
5	Tapping screw	3.5 x 10 mm	12	-
6	Sealing strip	6 x 3 x 88 mm 0.24 x 0.12 x 3.46 in.	2	595155101
7	Sealing strip	6 x 3 x 88 mm 0.24 x 0.12 x 3.46 in.	2	595155101
8	Washer	3.2 x 6 x 0.8 mm 0.13 x 0.24 x 0.03 in.	4	-
9	Nut	M3	4	-
10	Screw	M5 x 12 mm	4	-
11	Washer	5.1 x 10 x 1 mm 0.20 x 0.39 x 0.04 in.	4	-
12	Shaft coupling		1	595478501
13(14-24)	Generator housing, complete		1	595928701
14	Fan cover		1	594625301
15	Lid		1	-
16	Screw	M4 x 10 mm	4	-
17	Nut	M6	3	-
18	Cable clip		3	-
19	Washer	6.1 x 12 x 1 mm 0.24 x 0.47 x 0.04 in.	6	-
20	Connection block		1	-
21	Generator housing		1	-
22	Stud		4	595351201
23	Washer	6.4 x 12 x 1.6 mm 0.25 x 0.47 x 0.06 in.	4	-
24	Nut	M6	4	-
25	Switch		1	594862701
26	Conduit entry		4	595462401
27	Nut	M25 x 1.5 mm	2	-
28	Wiring harness		2	595185201
29	Wiring harness		2	594380801
30	Conduit entry		3	595144201
31	Instrument box		1	596866045
32	Screw	M10 x 25 mm	2	-
33	Shock absorber		2	595115601
34	Washer	10.5 x 22 x 2 mm 0.41 x 0.87 x 0.08 in.	2	-
35	Engine, complete	Honda GX270	1	595198001
36(37-41)	Rotor, complete		1	595479101
37	Fan		1	594618201
38	Locking ring		1	594618301
39	Sealing		1	595473501
40	Ball bearing	6207 ZZ	1	595354401
41	Rotor		1	-
42	Screw	M8 x 22 mm	4	-
43	Washer	8.1 x 13 x 2 mm 0.36 x 0.51 x 0.08 in.	4	-
44	Adapter		1	595928101
45	Set screw	M8 x 8 mm	4	-
46	Key		1	595353701
47	Screw	M10 x 35 mm	4	-

No.	Description	Remark	Quantity	Part number
48	Washer	10.2 x 17 x 2 mm 0.40 x 0.68 x 0.08 in.	10	-
49	Screw	M10 x 14 mm	6	-
50	Shock absorber		4	594396301

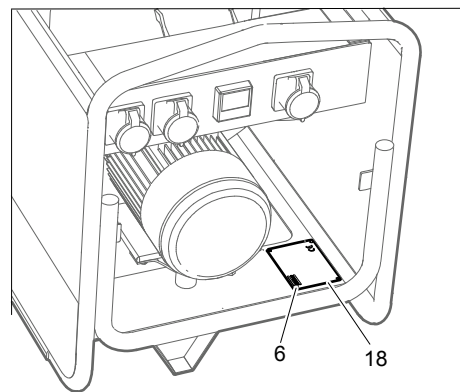
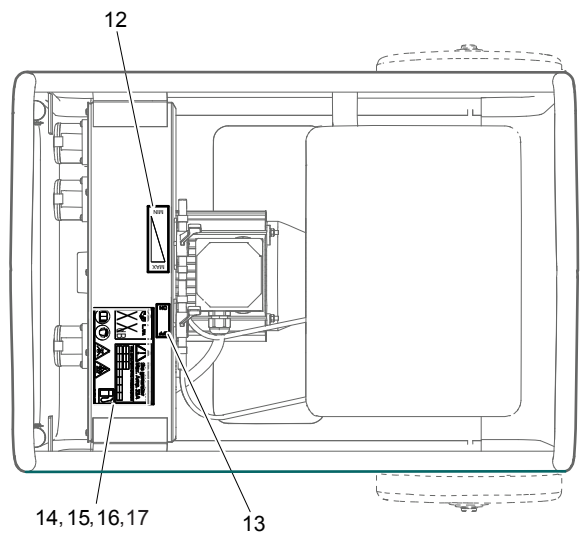
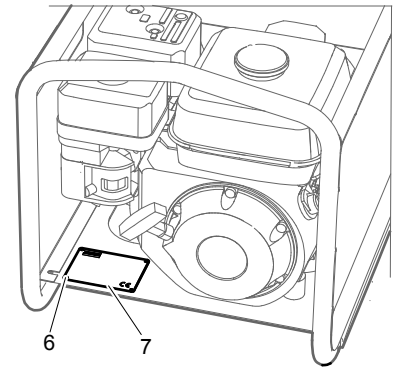
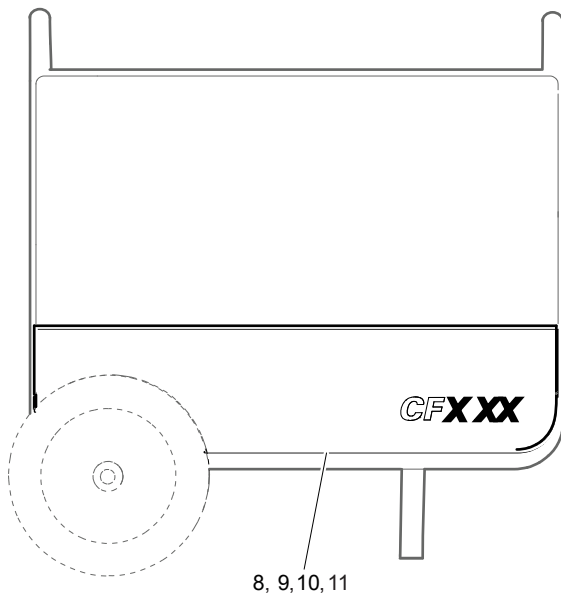
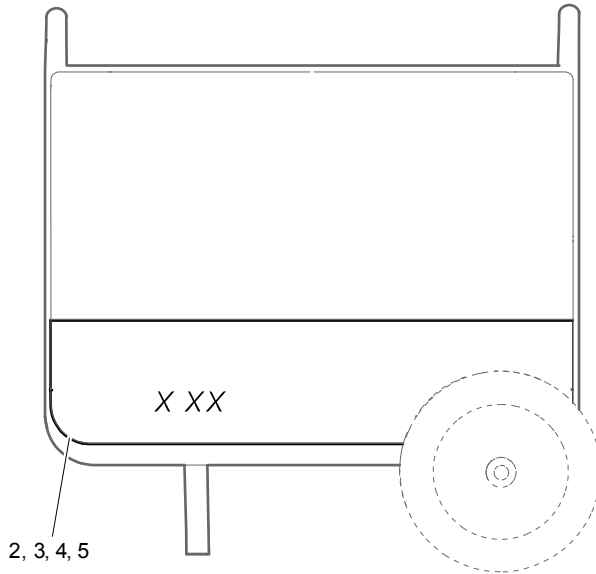
Engine and generator installation, CFD 67



No.	Description	Remark	Quantity	Part number
1	Voltmeter		1	596866037
2	Panel		1	596866048
3	Power socket		4	594273801
4	Tapping screw	3.5 x 16 mm	16	-
5	Tapping screw	3.5 x 10 mm	12	-
6	Sealing strip	6 x 3 x 88 mm 0.24 x 0.12 x 3.46 in.	2	595155101
7	Sealing strip	6 x 3 x 88 mm 0.24 x 0.12 x 3.46 in.	2	595155101
8	Instrument box		1	596866043
9	Control		2	594224101
10	Screw	M5 x 10 mm	4	-
11	Wiring harness		2	595185201
12	Conduit entry		4	595355601
13(14-24)	Generator housing, complete		1	595928701
14	Fan cover		1	594625301
15	Cover		1	-
16	Screw	M4 x 10 mm	4	-
17	Nut	M6	3	-
18	Cable clip		3	-
19	Washer	6.1 x 12 x 1 mm 0.24 x 0.47 x 0.04 in.	6	-
20	Connection block		1	-
21	Generator housing		1	-
22	Stud		4	595351201
23	Washer	6.4 x 12 x 1.6 mm 0.25 x 0.47 x 0.06 in.	4	-
24	Nut	M6	4	-
25	Screw	M10 x 14 mm	6	-
26	Protective plug		2	595355501
27	Screw	M5 x 12 mm	4	-
28	Washer	5.1 x 10 x 1 mm 0.20 x 0.39 x 0.04 in.	4	-
29	Screw	M10 x 30 mm	6	-
30	Nut	M3	4	-
31	Shock absorber		4	594396301
32	Washer	3.2 x 6 x 0.5 mm 0.13 x 0.24 x 0.02 in.	4	-
33	Shock absorber		2	595115601
34	Washer	10 x 18 x 2 mm 0.39 x 0.71 x 0.08 in.	2	-
35	Nut	M5	4	595060201
36(37-41)	Rotor, complete		1	595479001
37	Fan		1	594618201
38	Locking ring		1	594618301
39	Sealing		1	595473501
40	Ball bearing	6207 ZZ	1	595354401
41	Rotor		1	-
42	Screw	M8 x 25 mm	6	-
43	Washer	8.2 x 14 x 2 mm 0.32 x 0.55 x 0.08 in.	6	-
44	Adapter		1	595928101
45	Set screw	M8 x 8 mm	4	-
46	Key		1	595455901
47	Engine	Lombardini 15 LD 350	1	594420101

No.	Description	Remark	Quantity	Part number
48	Exhaust pipe		1	595479301
49	Shaft coupling		1	595478401
50	Washer	10.2 x 17 x 2 mm 0.40 x 0.68 x 0.08 in.	10	-

Labels



No.	Description	Remark	Quantity	Part number
1				
2	Label	"CFG 25" Right side	1	596866061
3	Label	"CFD 33" Right side	1	596866063
4	Label	"CFG 67" Right side	1	596866065
5	Label	"CFD 67" Right side	1	595479401
6	Blind rivet		4	-
7	Data plate	CFG 25	1	-
8	Label	"CFG 25" Left side	1	596866062
9	Label	"CFD 33" Left side	1	596866064
10	Label	"CFG 67" Left side	1	596866066
11	Label	"CFD 67" Right side	1	595479401
12	Label	Throttle control Only for CFD 33 and CFD 67	1	594405601
13	Label	Engine ON/OFF Only for CFD 33 and CFD 67	1	595479501
14	Safety label	Information and safety CFG 25	1	596866059
15	Safety label	Information and safety CFD 33	1	596866040
16	Safety label	Information and safety CFG 67	1	596866044
17	Safety label	Information and safety CFD 67	1	596866060
18	Data plate	CFD 33, CFG 67, CFD 67	1	-

Kits

One year service kit, Honda GX 160

One year service kit Part
number 595380001

Description	Remark	Quantity	Part number
Air filter		5	594302101
Gasket	For oil drain plug.	1	595048901
Starting rope		1	595049101
Spark plug		1	596865867
Gasket	For valve cover.	1	595048801

One year service kit, Honda GX 270

One year service kit Part
number 595380101

Description	Remark	Quantity	Part number
Air filter		5	594575101
Gasket	For oil drain plug.	1	595048901
Starting rope		1	595049101
Spark plug		1	596865867
Gasket	For valve cover.	1	594760301

One year service kit, Lombardini 15 LD 350

One year service kit Part
number 595380301

Description	Remark	Quantity	Part number
Air filter		5	594201901
Fuel filter		5	594197301
Gasket	For oil filter cover.	1	595380201
Gasket	For valve cover.	1	594197701
Oil filter		5	594197501

Any unauthorized use or copying of the contents or any part thereof is prohibited.
This applies in particular to trademarks, model denominations, part numbers, and drawings.