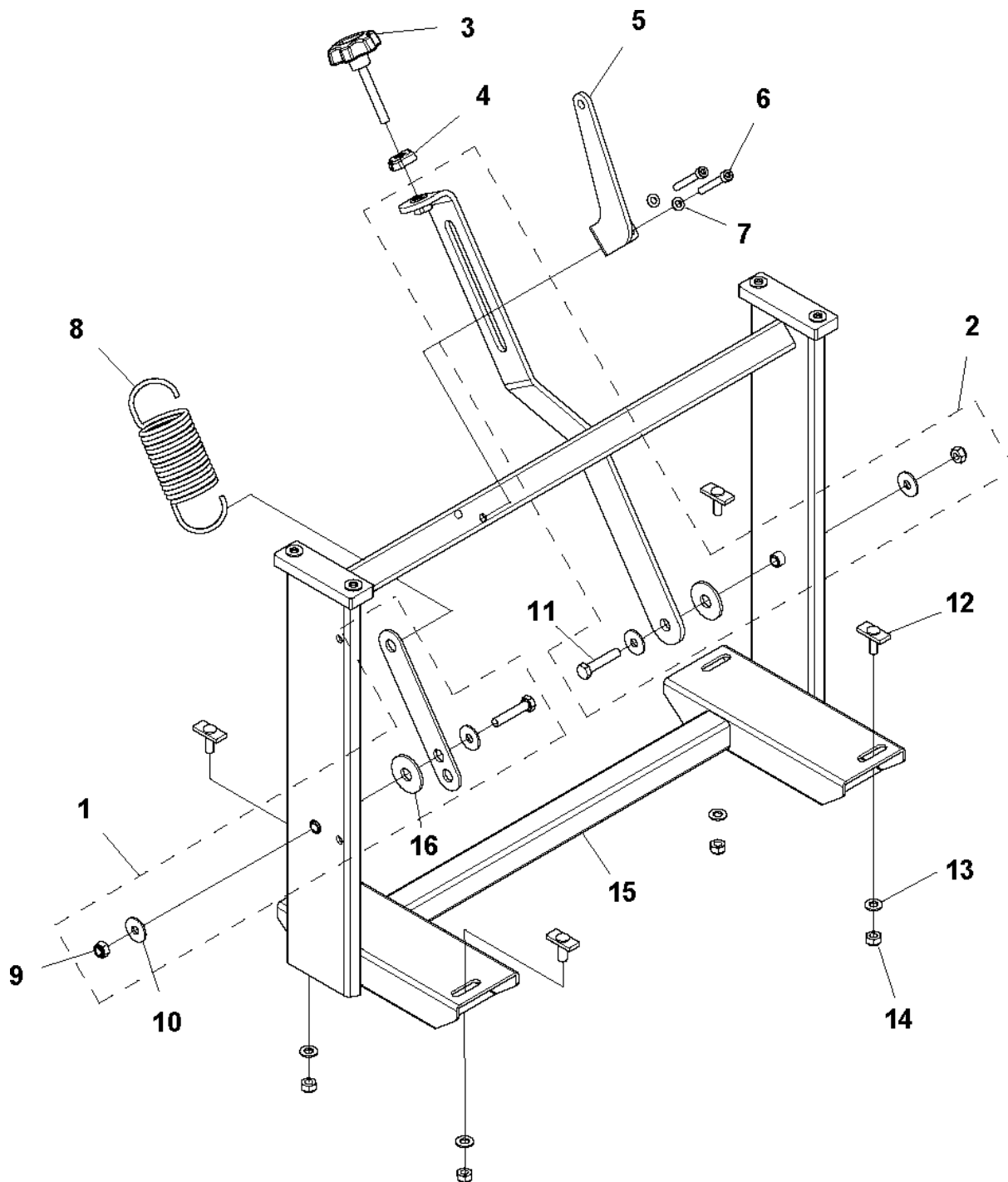




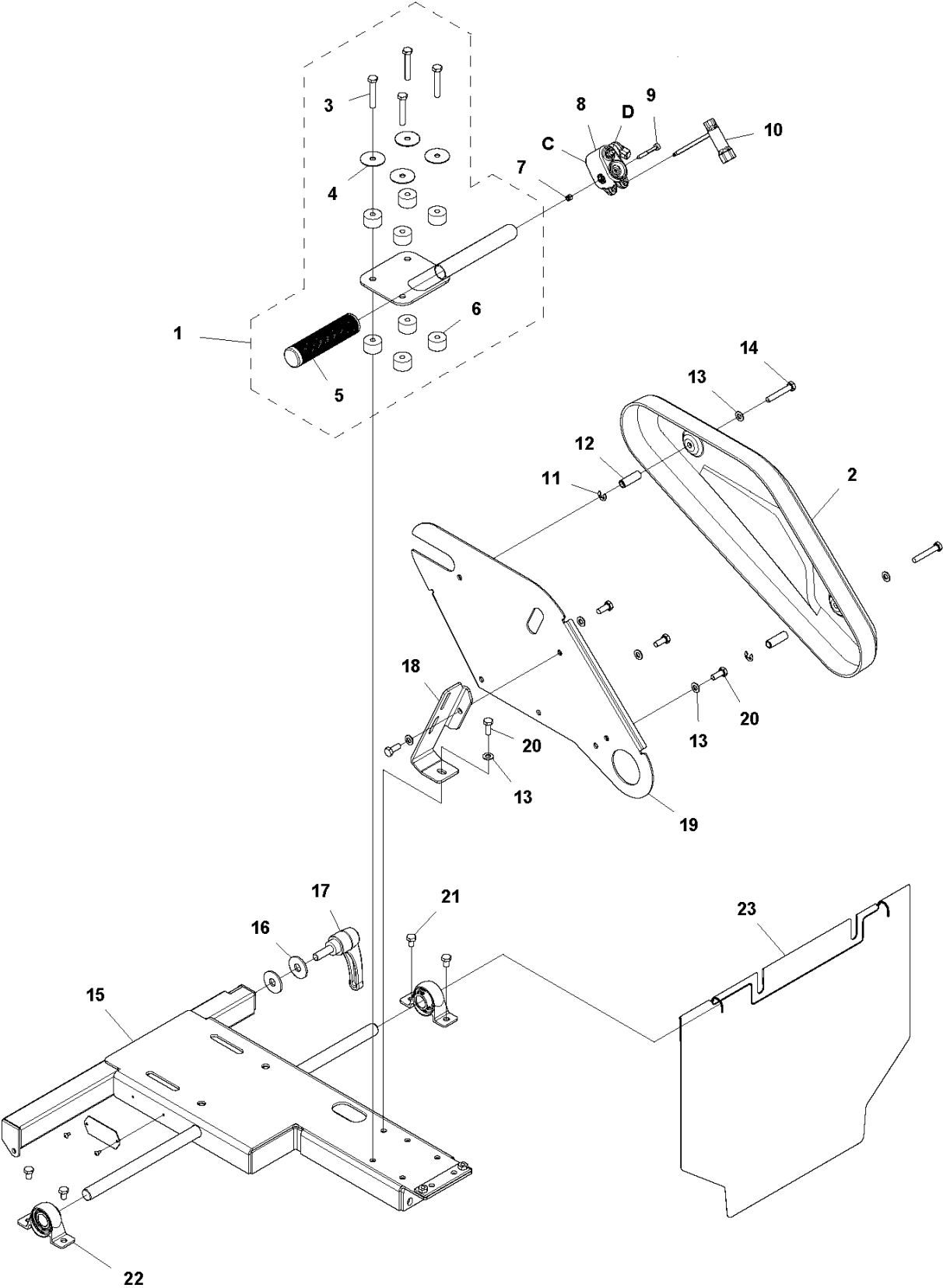
# SPARE PARTS LIST

TILE SAWS

MS 360 G, 2016-12



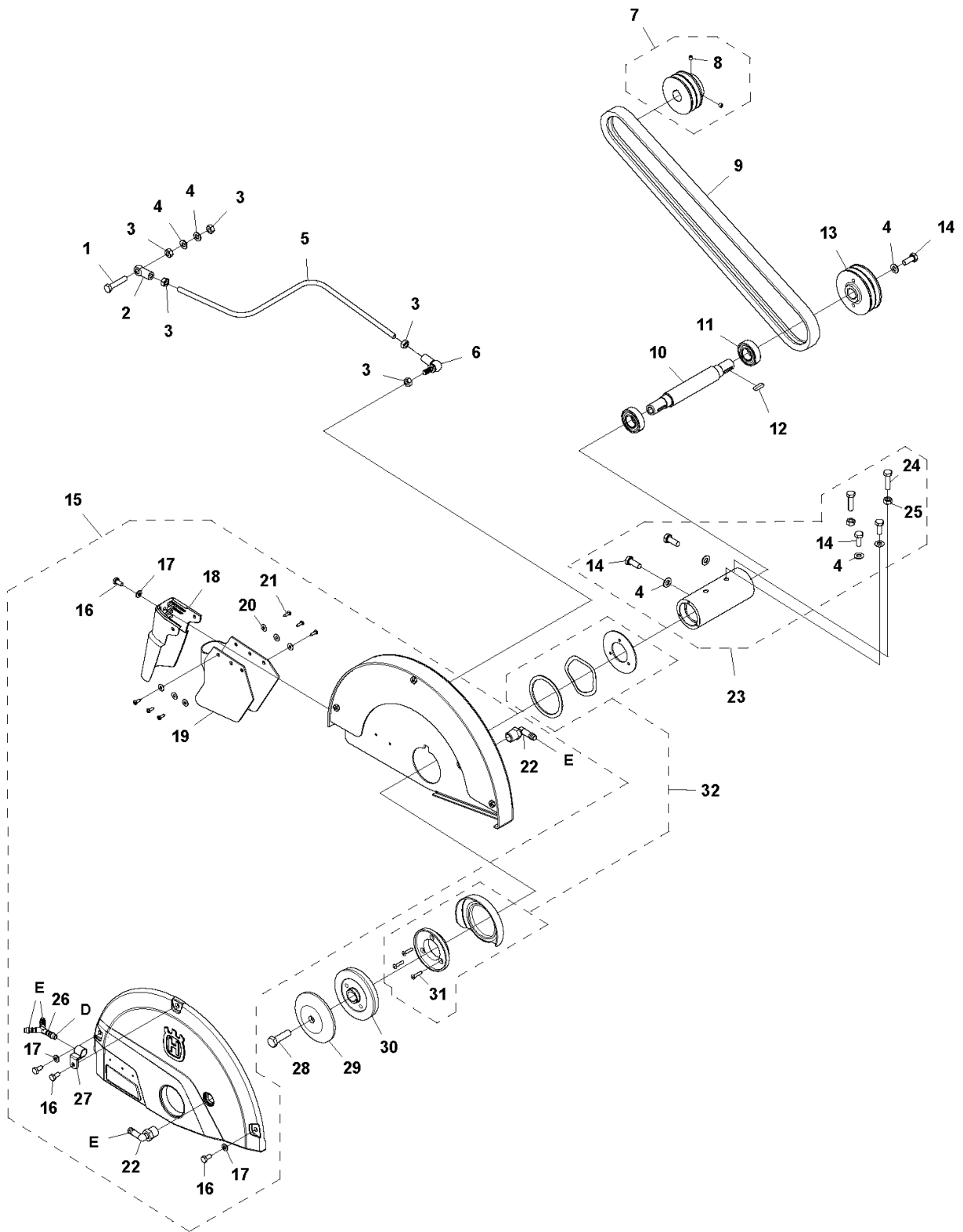
Ref	Part No	Description	Remark	QTY KIT	
1	589 74 96-01	BRACKET		1	
2	589 74 95-01	BRACKET		1	
3	585 59 50-07	KNOB		1	
4	522 77 44-03	KNOB		1	
5	581 17 16-01	BRACKET		1	
6	725 53 79-01	SCREW IHSCM		2	
7	734 11 52-01	WASHER		2	
8	581 17 29-01	SPRING		1	
9	732 25 18-01	HEXAGON LOCKING NUT		2	1,2
10	734 11 65-41	WASHER		3	1,2
11	725 24 59-51	SCREW EHHM		2	1,2
12	588 11 63-01	BRACKET		4	1,2
13	734 11 63-01	WASHER		4	
14	732 25 18-01	HEXAGON LOCKING NUT		4	
15	580 69 31-01	ARM		1	
16	734 11 80-41	WASHER		3	



## CUTTING HEAD

MS 360 G, 2016-12

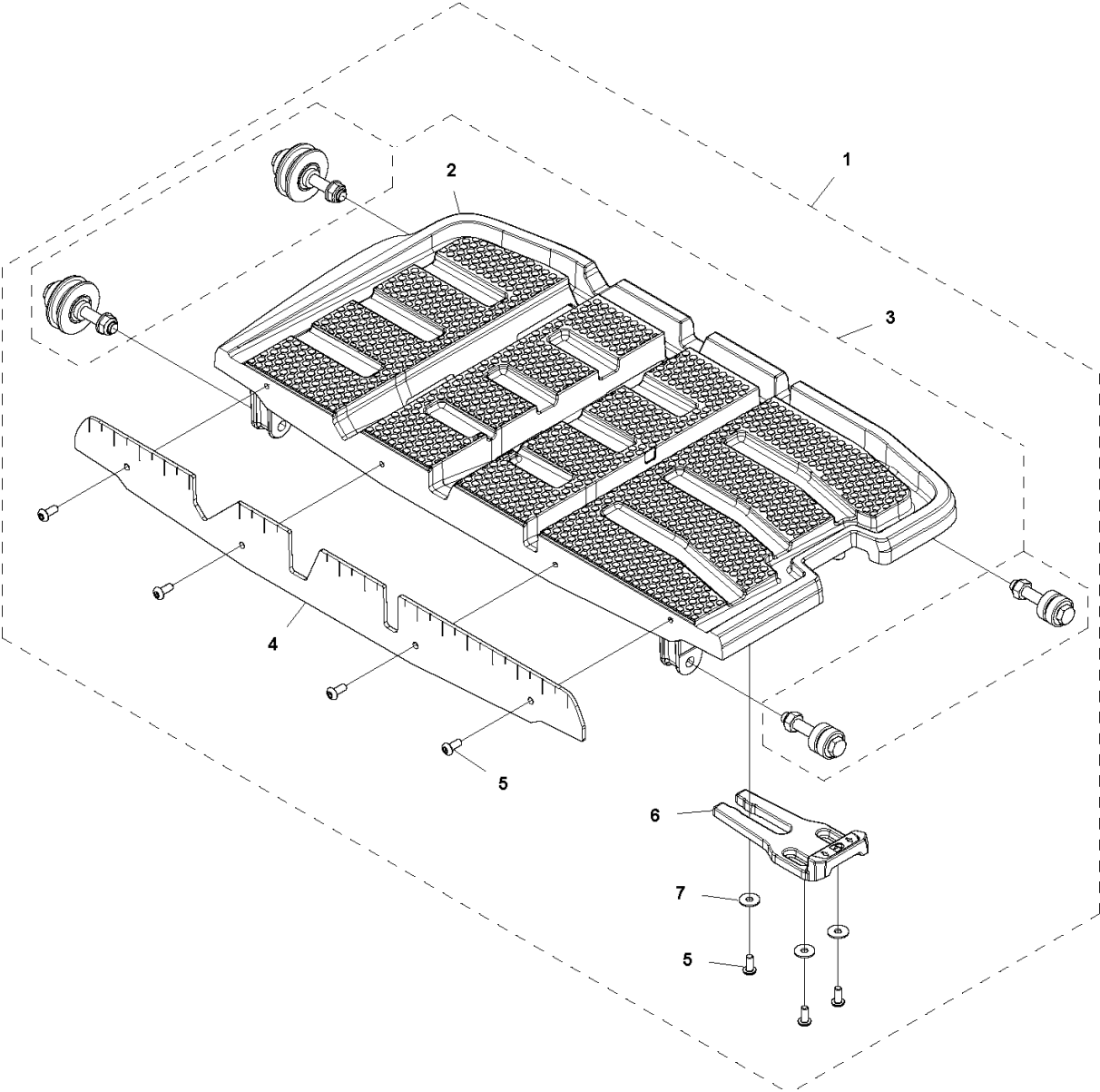
Ref	Part No	Description	Remark	QTY	KIT
1	589 75 01-01	HANDLE ASSY		1	
2	581 09 67-01	BELT COVER		1	
3	725 24 61-71	SCREW EHHM		6	1
4	521 88 67-01	WASHER		4	1
5	585 51 94-01	HANDLE GRIP		1	1
6	579 67 83-01	WASHER		8	1
7	732 25 14-01	HEXAGON LOCKING NUT		1	
8	589 75 08-01	VALVE ASSY		1	
9	725 53 39-01	SCREW IHSCM		1	
10	579 79 73-01	COMBINATION WRENCH		1	
11	735 31 12-21	E-CLIP		2	
12	581 17 25-01	SUPPORT SLEEVE		2	
13	734 11 63-01	WASHER		6	
14	725 24 61-71	SCREW EHHM		2	
15	580 71 42-01	PIVOTING ARM		1	
16	734 11 80-41	WASHER		2	
17	581 17 32-01	HANDLE		1	
18	581 17 19-01	MOUNTING BRACKET		1	
19	581 17 26-01	PLATE		1	
20	725 24 51-71	SCREW EHHM		6	
21	725 24 47-71	SCREW EHHM		4	
22	581 34 15-01	BEARING UNIT		2	
23	585 50 57-01	SPLASH GUARD		1	



## BLADE GUARD

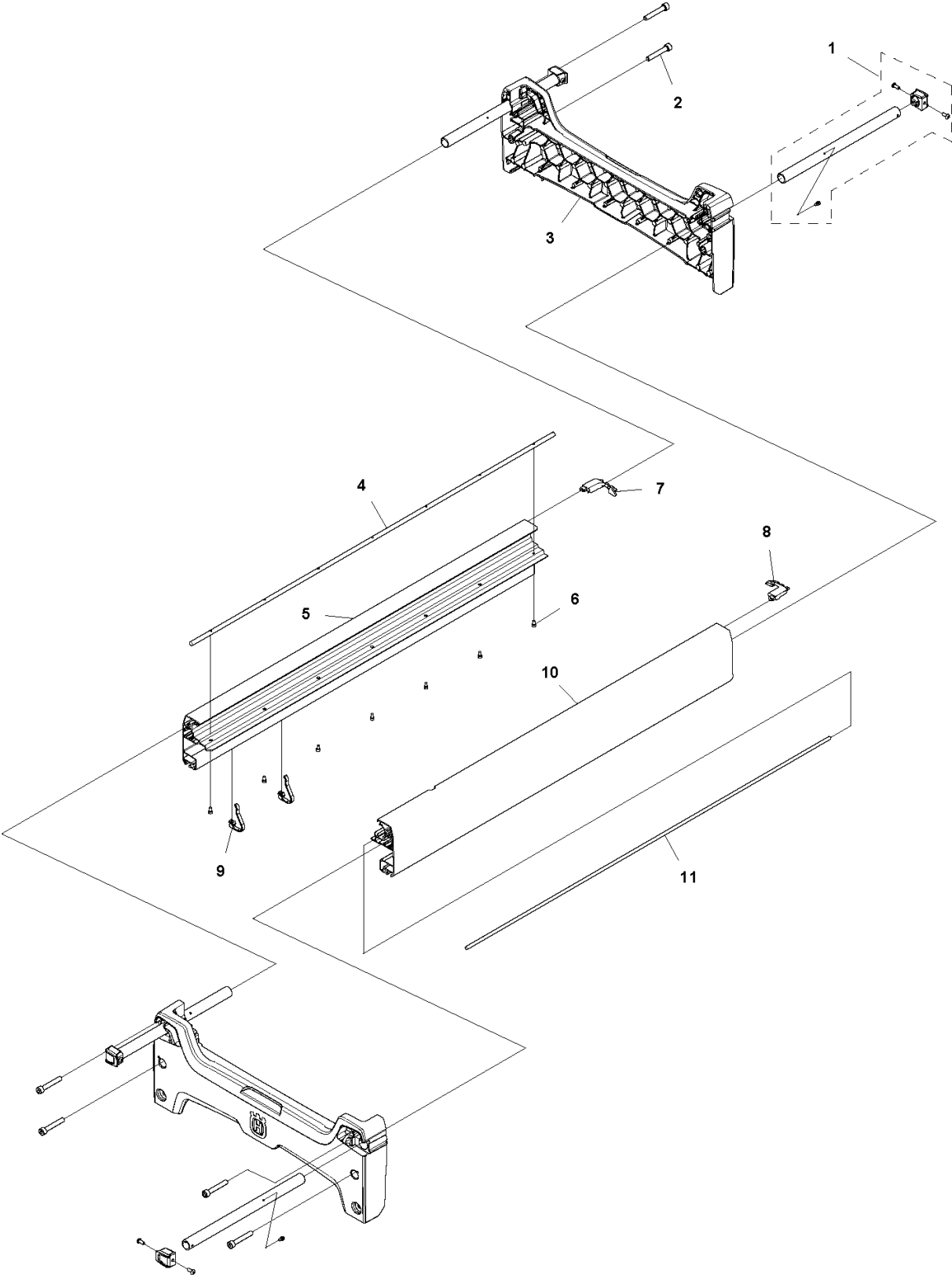
MS 360 G, 2016-12

Ref	Part No	Description	Remark	QTY	KIT
1	725 24 59-51	SCREW EHHM		3	
2	731 23 18-01	HEXAGON NUT		4	
3	585 55 02-01	LINK		1	
4	734 11 63-01	WASHER		6	23
5	581 17 28-01	PARALLEL ROD		1	
6	581 31 10-01	BALL JOINT		1	
7	589 74 98-01	PULLEY KIT		1	
8	501 07 86-01	SCREW IHSETM		2	7
9	581 29 99-01	V-BELT		1	
10	580 76 38-01	BLADE SHAFT		1	
11	738 21 04-04	BALL BEARING		2	
12	579 76 65-01	PARALLEL KEY		2	
13	580 72 60-01	PULLEY		1	
14	725 24 51-71	SCREW EHHM		5	23
15	589 74 99-01	BLADE GUARD		1	
16	725 23 68-71	SCREW EHHM		4	15
17	734 11 52-01	WASHER		3	15
18	586 04 52-01	SPLASH GUARD		1	15
19	510 22 54-62	SPLASH GUARD		1	15
20	734 48 80-01	WASHER		6	15
21	729 52 81-01	SCREW CRPANT		6	15
22	585 52 68-01	FITTING		2	15
23	589 75 04-01	HOUSING ASSY		1	
24	725 24 55-71	SCREW EHHM		2	23
25	731 23 18-01	HEXAGON NUT		2	23
26	585 24 55-01	HOSE CONNECTOR		1	15
27	585 24 56-01	CLIP		1	15
28	501 92 62-01	SCREW EHHM		1	
29	580 76 40-01	FLANGE		1	
30	580 76 41-01	FLANGE		1	
31	582 40 68-01	SCREW		3	32
32	589 75 00-01	BLADE GUARD		1	





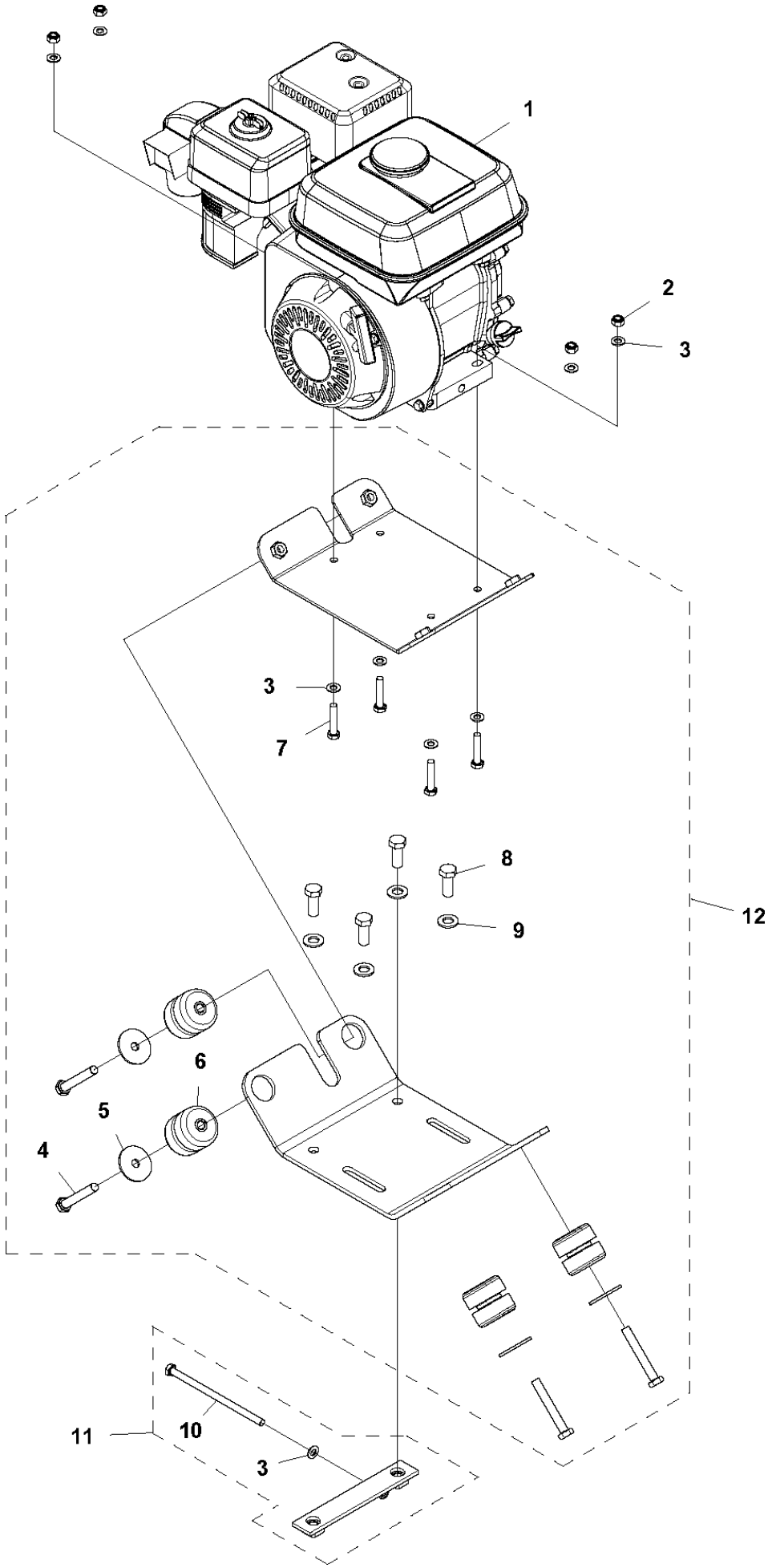
Ref	Part No	Description	Remark	QTY	KIT
1	581 34 25-01	CART		1	
2	580 27 84-01	CART		1	1
3	588 91 58-01	WHEEL KIT		1	1
4	581 34 33-01	SUPPORT		1	1
5	725 53 27-01	SCREW IHSCM		7	1
6	580 27 63-01	HANDLE		1	1
7	734 11 47-41	WASHER		3	1



## FRAME

MS 360 G, 2016-12

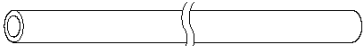

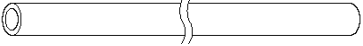
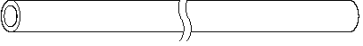

Ref	Part No	Description	Remark	QTY KIT
1	580 60 56-01	HUB		4
2	725 54 61-01	SCREW IHSCM		8
3	585 23 61-01	GABLE		2
4	585 54 38-02	ROD		1
5	584 92 99-01	PROFILE		1
6	588 71 93-01	SCREW IHSCM		7
7	585 51 92-01	PLUG		1
8	585 51 93-01	PLUG		1
9	581 56 07-01	CLIP		2
10	584 93 00-01	PROFILE		1
11	585 54 40-03	ROD		1

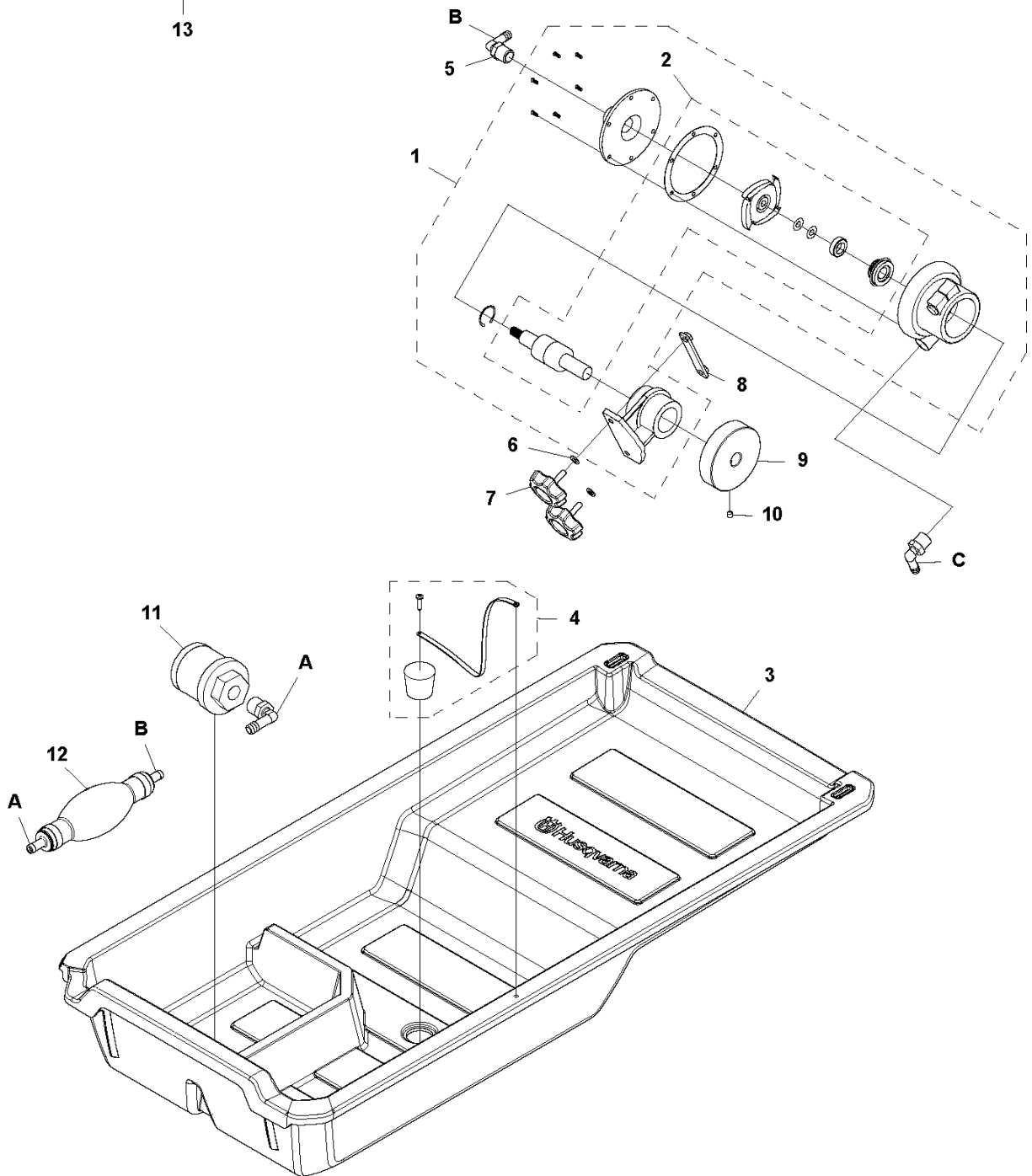


## MOTOR

MS 360 G, 2016-12

Ref	Part No	Description	Remark	QTY KIT
1	542 17 30-98	ENGINE		1
2	732 25 18-01	HEXAGON LOCKING NUT		4
3	734 11 63-01	WASHER		9
4	725 25 05-71	SCREW EHHM		4
5	543 08 12-36	WASHER		4
6	581 29 54-02	ISOLATOR		4
7	725 24 59-51	SCREW EHHM		4
8	725 25 38-71	SCREW EHHM		4
9	734 11 80-41	WASHER		4
10	582 17 56-01	SCREW EHHM		1
11	589 74 97-01	BRACKET		1
12	589 75 05-01	ENGINE PLATE		1

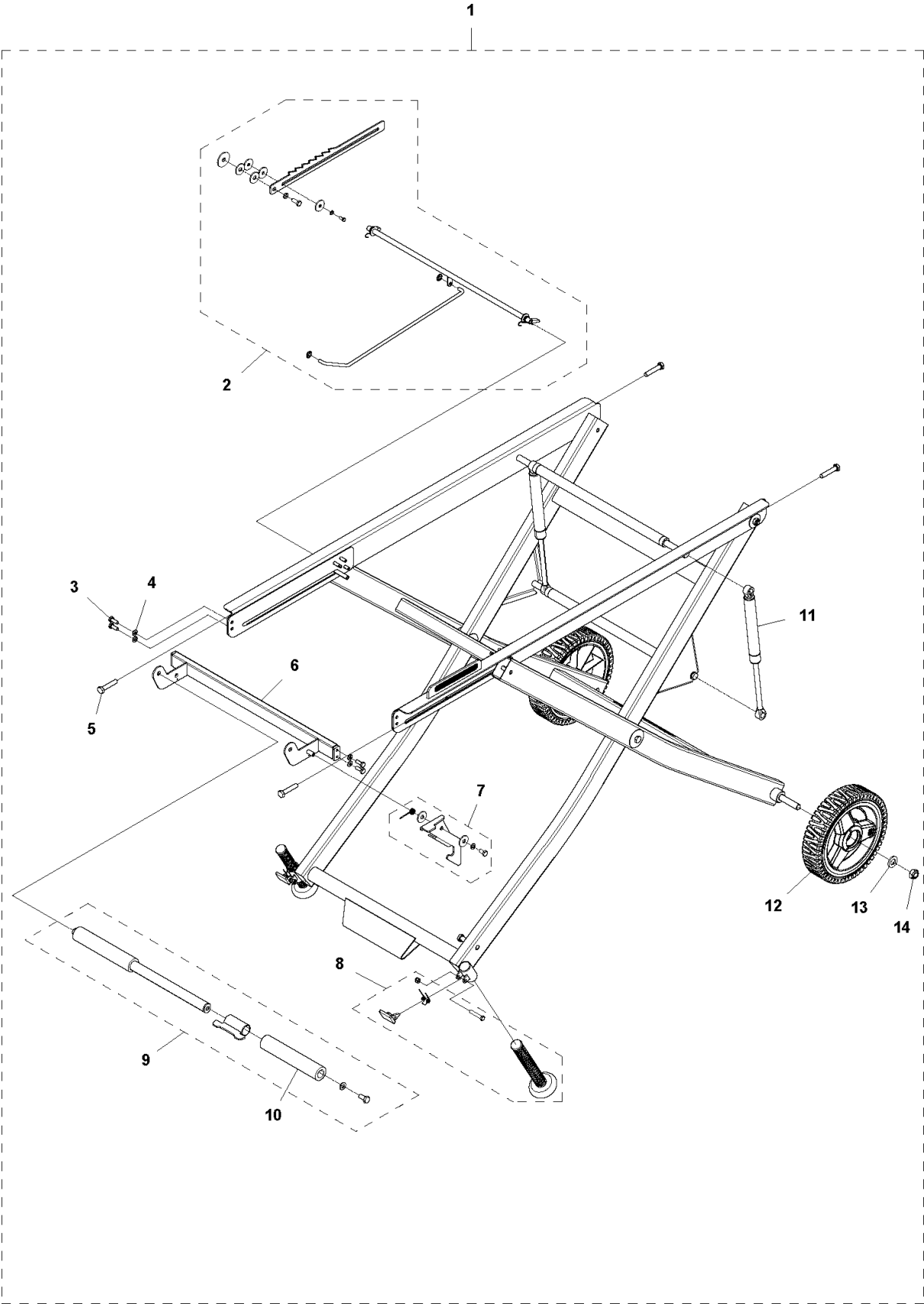
600 mm (24 inch)		A
1150 mm (61 inch)		B
250 mm (10 inch)		C </td
260 mm (10 inch)		D
2X 320 mm (2X 13 inch)		E



## WATER TANK

MS 360 G, 2016-12

Ref	Part No	Description	Remark	QTY	KIT
1	510 43 73-46	BILL OF MATERIAL		1	
2	586 66 83-01	PUMP		1	1
3	581 32 78-01	TRAY		1	1
4	583 95 17-01	PLUG KIT		1	1
5	585 52 68-01	FITTING		1	
6	734 11 52-01	WASHER		2	
7	585 59 50-06	KNOB		2	
8	504 80 86-02	PLATE		1	
9	581 26 25-01	PULLEY		1	
10	501 07 86-01	SCREW IHSETM		3	
11	585 52 09-01	STRAINER		1	
12	585 52 46-01	BULB		1	
13	585 56 62-02	TUBE		1	

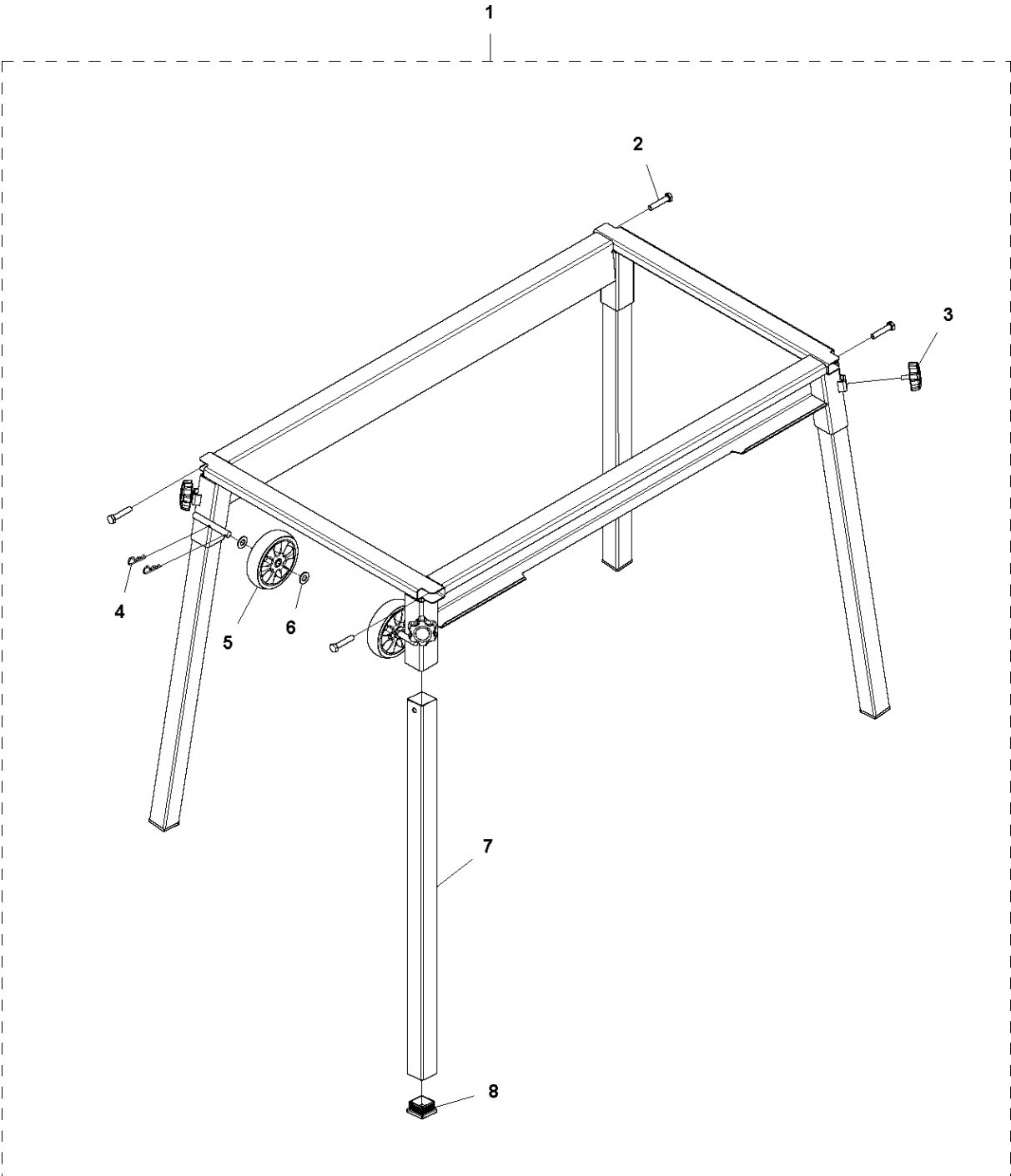




## STANDS

MS 360 G, 2016-12

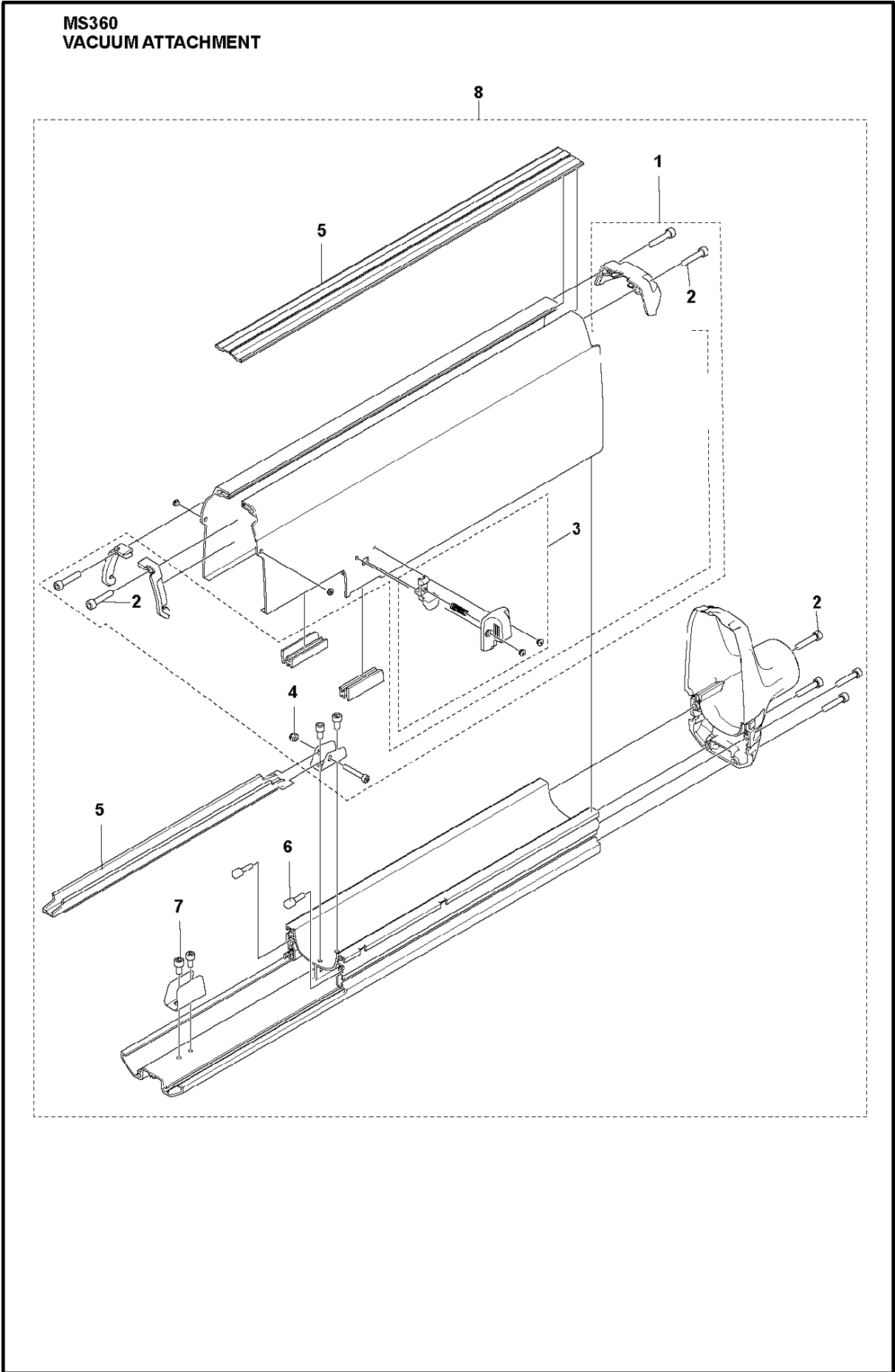
Ref	Part No	Description	Remark	QTY	KIT
1	585 58 16-01	STAND		1	
2	589 02 20-01	LOCK		1	1
3	725 23 68-71	SCREW EHHM		6	1
4	734 11 52-01	WASHER		7	1
5	725 24 59-71	SCREW		4	
6	581 22 12-01	HANDLEBAR		1	1
7	589 02 21-01	LOCKING LEVER		1	1
8	589 02 27-01	SUPPORT LEG		2	1
9	589 02 22-01	HANDLE KIT		1	1
10	581 22 64-01	HANDLE		2	8
11	579 53 20-01	GAS SPRING		2	1
12	532 40 12-73	WHEEL & TIRE ASSY, FRONT		2	1
13	734 11 78-01	WASHER		2	1
14	732 25 22-01	HEXAGON LOCKING NUT		2	1



FIXED STANDS

MS 360 G, 2016-12

Ref	Part No	Description	Remark	QTY KIT
1	579 59 64-01	STAND		1
2	725 24 59-71	SCREW		4
3	585 59 50-03	KNOB		4
4	721 68 01-51	SPRING COTTER		2
5	510 22 54-27	WHEEL		2
6	734 11 72-01	WASHER		4
7	579 59 63-01	PROFILE		4
8	585 52 97-01	CAP		4



Ref	Part No	Description	Remark	QTY KIT
1	591 15 97-01	REPAIR KIT		1
2	725 53 33-01	SCREW IHSCM		9
3	591 15 95-01	REPAIR KIT		1
4	732 25 14-01	HEXAGON LOCKING NUT		1
5	591 15 92-01	REPAIR KIT		1
6	590 19 57-01	PIN		2
7	725 53 25-01	SCREW IHSCM		1
8	589 90 99-01	VAC KIT		1