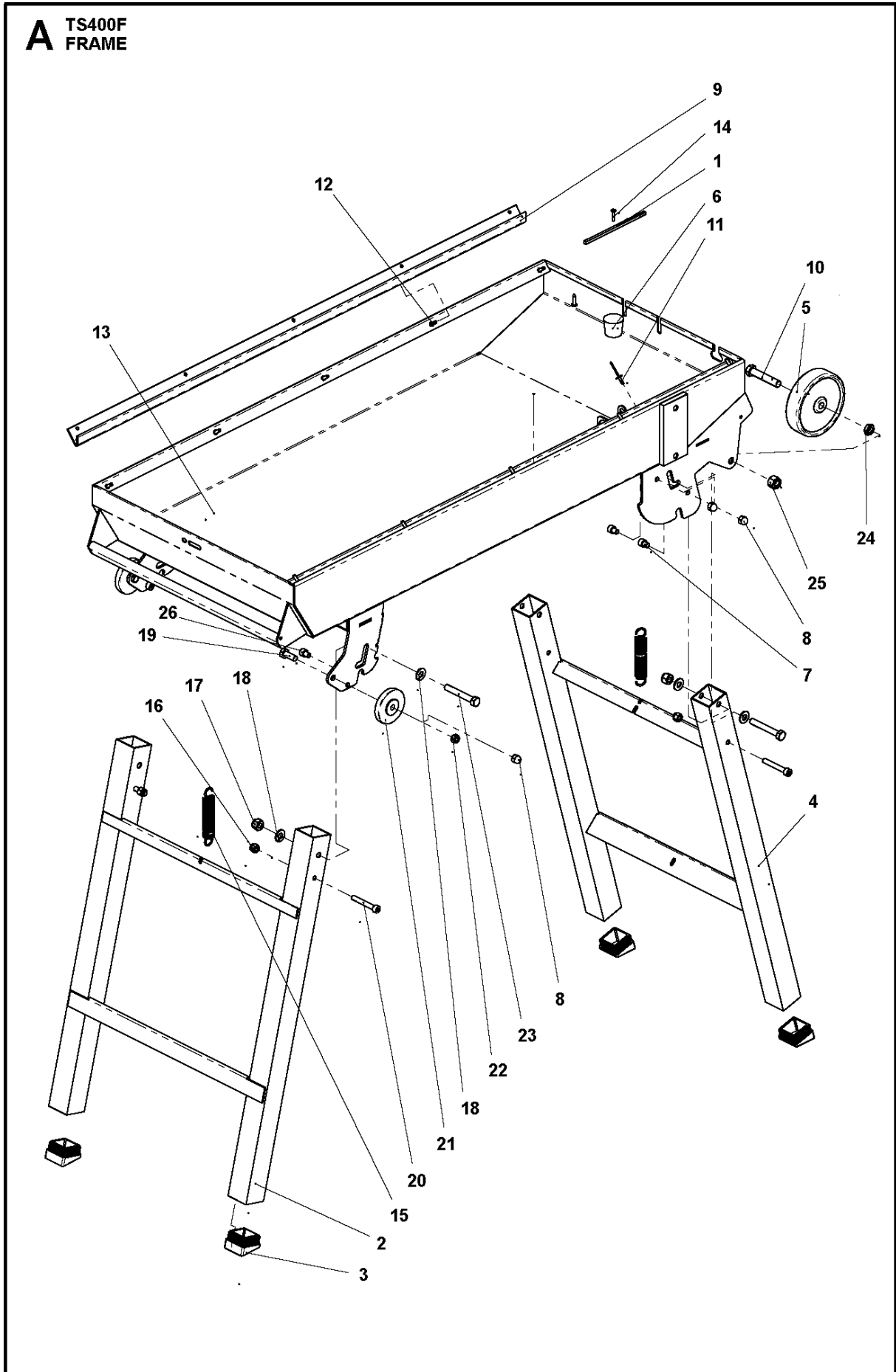




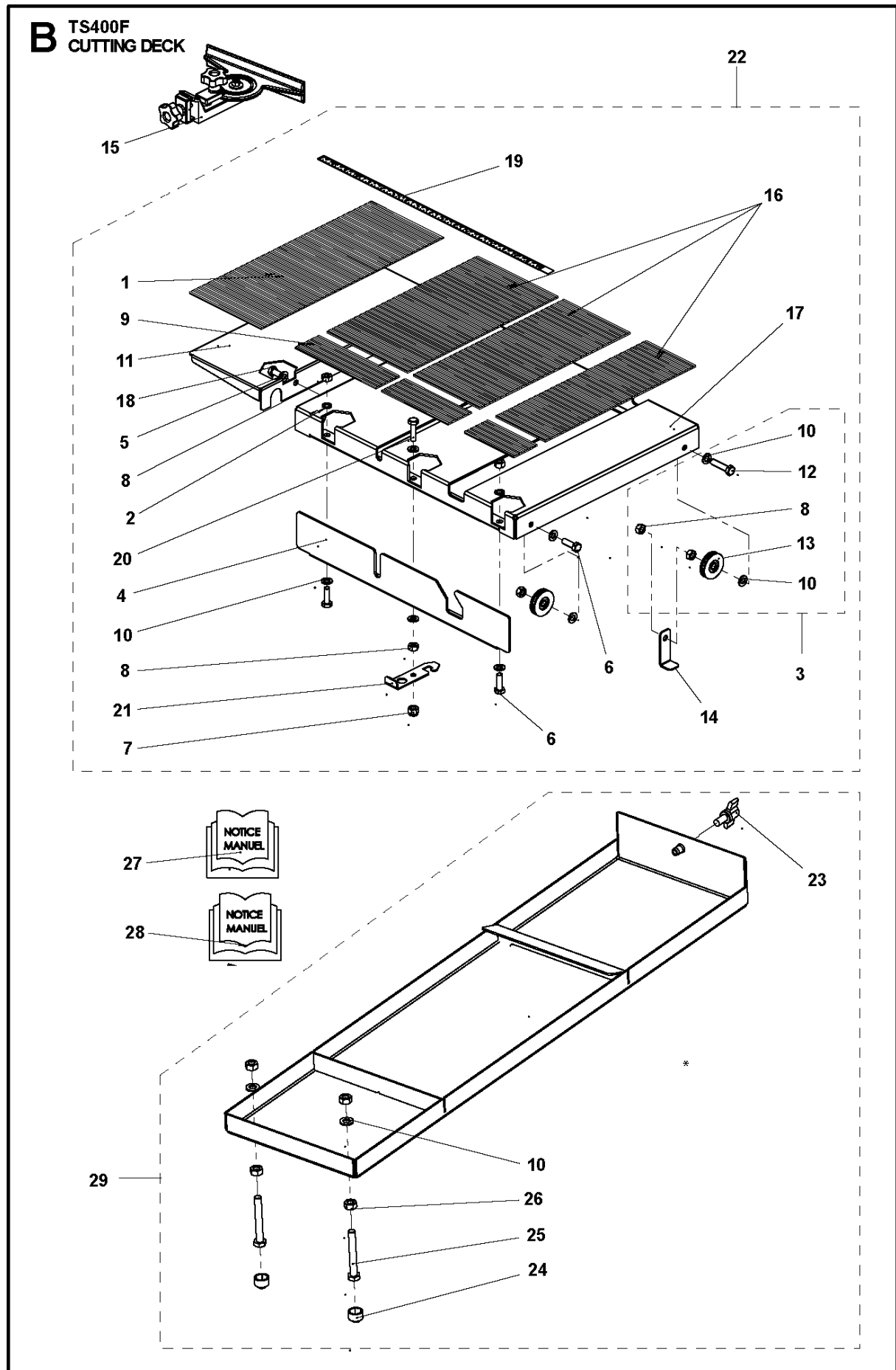
SPARE PARTS LIST

TILE SAWS

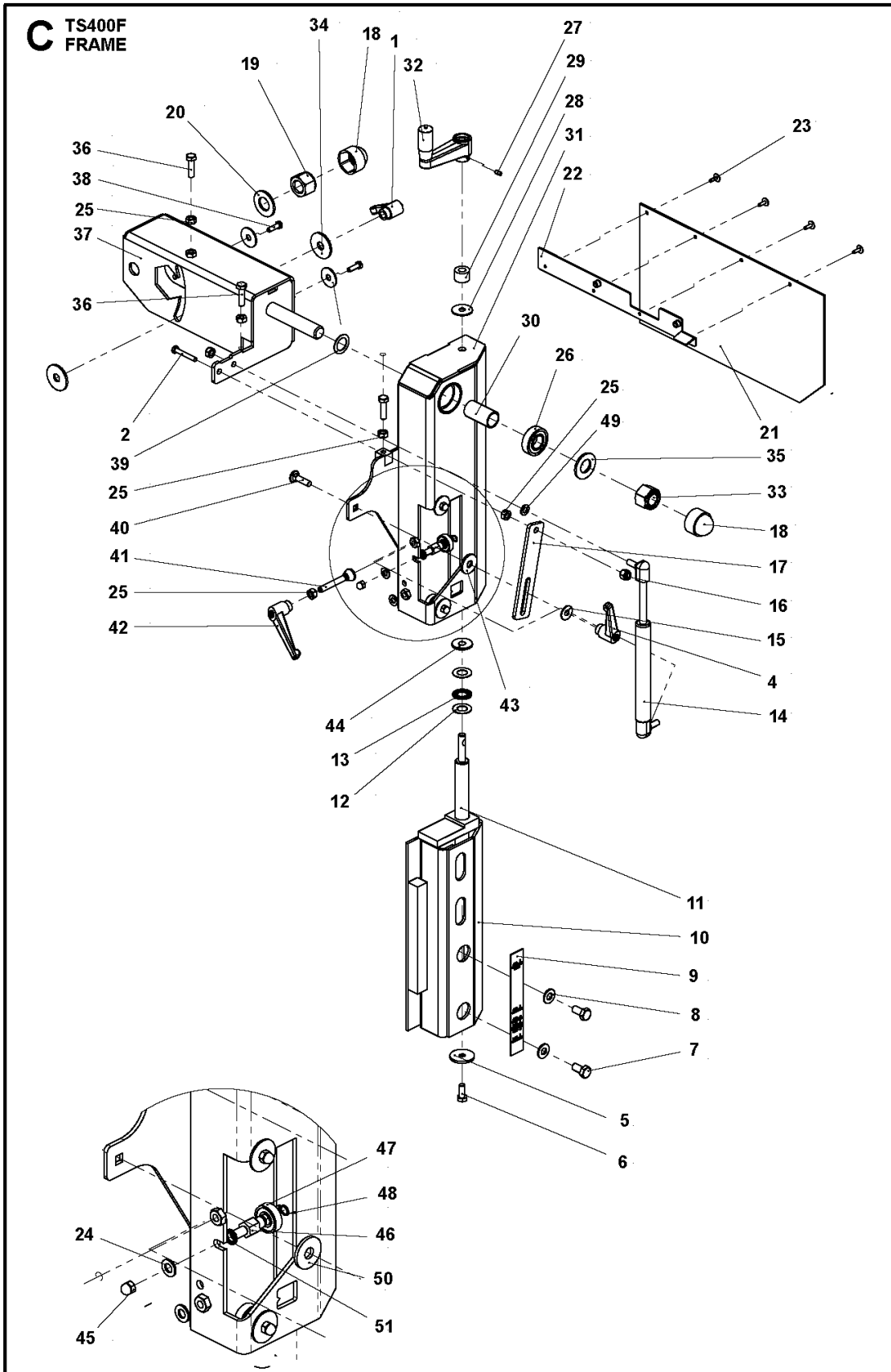
TS400 F, 2014-08



| Ref | Part No | Description | Remark | QTY KIT |
|-----|--------------|--------------------------------|-----------|---------|
| 1 | 543 07 44-39 | CHAINE BT1 D/1.4 | (0.15 mm) | 1 |
| 2 | 544 94 93-01 | LEGS | | 1 |
| 3 | 543 85 02-03 | FEET PAD ON TS350E/TS400***543 | | 4 |
| 4 | 544 94 94-01 | LEGS | | 1 |
| 5 | 543 07 52-17 | RAD | | 2 |
| 6 | 543 04 60-51 | PLUG | | 1 |
| 7 | 725 54 45-01 | SCREW IHSCM | | 4 |
| 8 | 543 04 47-66 | NUT | | 6 |
| 9 | 543 06 99-72 | SCHIENE | | 2 |
| 10 | 725 25 45-51 | SCREW EHHM | | 2 |
| 11 | 722 79 43-02 | RIVET | | 1 |
| 12 | 543 04 48-64 | RIVET INOX 4.8X9/ | | 10 |
| 13 | 540 06 54-01 | TANK ASSY | | 1 |
| 14 | 729 53 46-01 | SCREW | | 1 |
| 15 | 543 04 62-05 | RESSORT N°34640/ | | 2 |
| 16 | 732 25 18-01 | HEXAGON LOCKING NUT | | 4 |
| 17 | 732 25 20-01 | HEXAGON LOCKING NUT | | 4 |
| 18 | 734 11 72-01 | WASHER | | 8 |
| 19 | 725 24 93-71 | SCREW EHHM | | 2 |
| 20 | 725 54 62-01 | SCREW IHSCM | | 4 |
| 21 | 543 04 65-74 | GALET LISSE 65/10/24.8/ | | 2 |
| 22 | 731 23 20-01 | HEXAGON NUT | | 2 |
| 23 | 725 25 05-51 | SCREW EHHM | | 2 |
| 24 | 731 43 22-01 | HEXAGON THIN NUT | | 2 |
| 25 | 732 25 22-01 | HEXAGON LOCKING NUT | | 2 |
| 26 | 725 54 45-01 | SCREW IHSCM | | 2 |

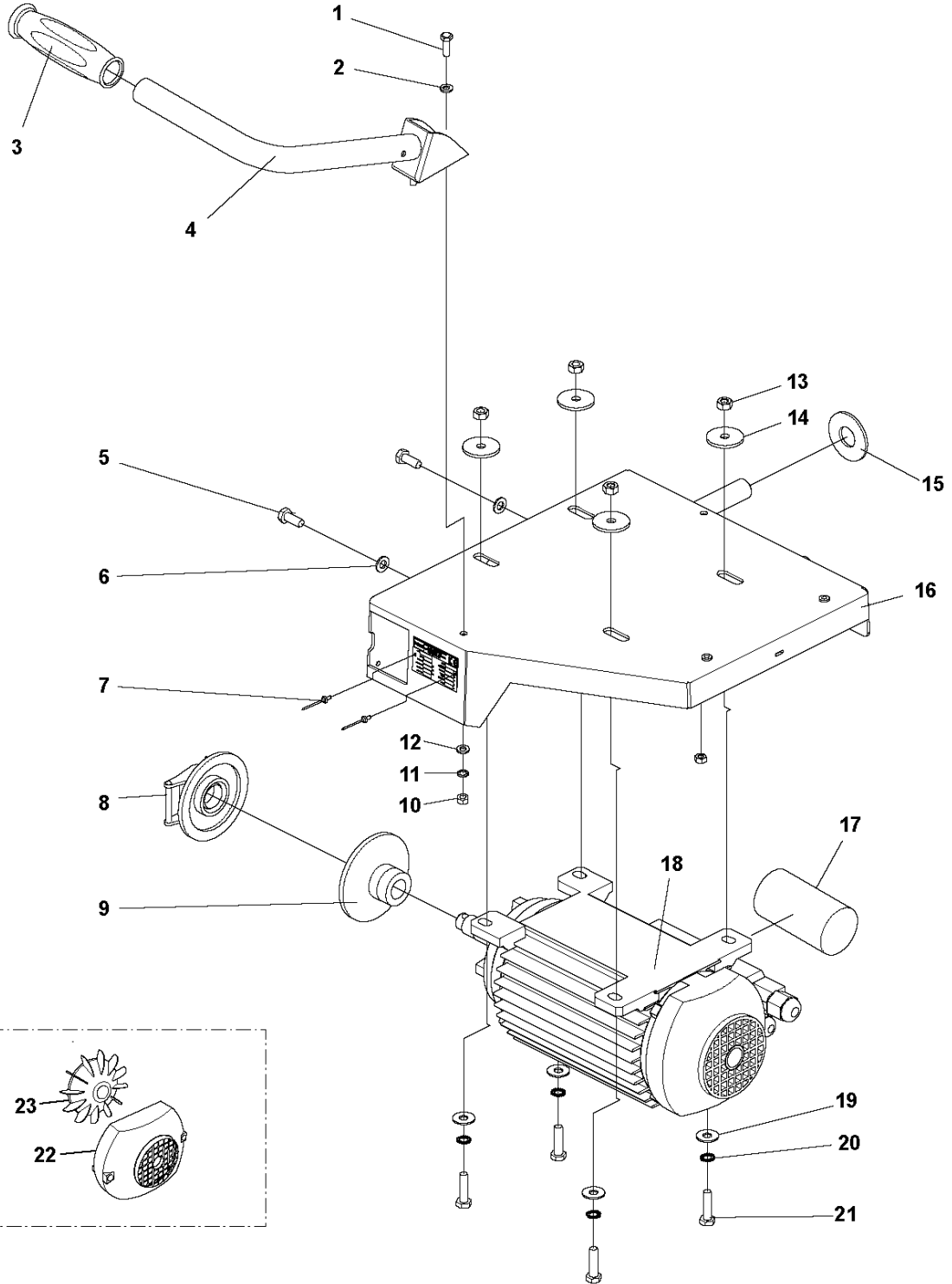


| Ref | Part No | Description | Remark | QTY KIT |
|-----|--------------|-------------------------------|---------|---------|
| 1 | 543 07 43-93 | VERLAENGERUNG | | 1 |
| 2 | 735 21 64-01 | LOCKWASHER | | 2 |
| 3 | 543 04 99-56 | ROLLER | Compl* | |
| 4 | 540 06 48-01 | MATERIAL STOP/ | | 1 |
| 5 | 734 11 63-01 | WASHER | | 2 |
| 6 | 725 24 53-71 | SCREW EHHM | | 4 |
| 7 | 732 25 18-01 | HEXAGON LOCKING NUT | | 1 |
| 8 | 731 23 18-01 | HEXAGON NUT | | 11 |
| 9 | 543 04 62-80 | TAPIS AV STRIE ADHESIF/TS400F | | 1 |
| 10 | 734 11 63-01 | WASHER | | 14 |
| 11 | 540 06 52-01 | TABLE EXTENTION | | 1 |
| 12 | 725 24 57-71 | SCREW EHHM | | 2 |
| 13 | 543 04 63-00 | WHEEL | | 4 |
| 14 | 543 04 33-23 | RETENUE DE TABLE/TS 350 F | | 2 |
| 15 | 543 04 61-46 | GUIDE | | 1 |
| 16 | 543 04 62-81 | TAPIS AR STRIE ADHESIF/ | | 1 |
| 17 | 540 06 49-01 | TABLE | | 1 |
| 18 | 725 24 49-71 | SCREW EHHM | | 2 |
| 19 | 543 85 00-47 | RULER, LEFT, TS400F | | 1 |
| 19 | 543 85 00-49 | RULER, MIDDLE, TS400F/TS400F | | 1 |
| 19 | 543 85 00-50 | RULER, RIGHT, TS400F/TS400F | | 1 |
| 20 | 725 24 55-71 | SCREW EHHM | | 1 |
| 21 | 544 94 87-01 | PIVOTING STOP/ | | 1 |
| 22 | 540 06 50-01 | TABLE | | 2 |
| 23 | 543 04 60-90 | GALET GP/34 8X15 6310075/ | | 1 |
| 24 | 543 04 60-52 | CHAPEAU GPN 1000/893/ | | 2 |
| 25 | 725 24 63-51 | SCREW EHHM | | 2 |
| 26 | 731 23 18-01 | HEXAGON NUT | | 4 |
| 27 | 115 03 26-20 | OPERATOR'S MANUAL | | 1 |
| 28 | 115 03 27-20 | ILLUSTRATED PARTS LIST | | 1 |
| 29 | 540 06 60-01 | TANK UNIT ASSY | Compl * | 1 |



| Ref | Part No | Description | Remark | QTY KIT |
|-----|--------------|--------------------------------|--------|---------|
| 1 | 543 07 52-16 | HANDLE | | 1 |
| 2 | 725 245 521 | TBD | | 1 |
| 4 | 543 04 61-16 | TURNING KNOB | | 1 |
| 5 | 543 04 66-47 | WASHER | | 1 |
| 6 | 725 24 51-71 | SCREW EHHM | | 1 |
| 7 | 725 24 91-71 | SCREW EHHM | | 2 |
| 8 | 734 11 72-01 | WASHER | | 2 |
| 9 | 543 85 00-36 | RULER, HEIGHT ADJUSTBLADES (TS | | 1 |
| 10 | 543 07 44-33 | STUETZE | | 1 |
| 11 | 543 07 43-86 | SCREW | | 1 |
| 12 | 543 04 50-39 | RONDELLE BUTEE AS 1528/ | | 2 |
| 13 | 543 04 50-38 | CAGE AIGUILLE AXK 1528 A/ | | 1 |
| 14 | 543 07 52-14 | SPRING | | 1 |
| 15 | 543 04 47-18 | RONDELLE ACIER L8 BICHRO/ | | 1 |
| 16 | 732 25 18-01 | HEXAGON LOCKING NUT | | 1 |
| 17 | 543 07 43-36 | SPERRE | | 1 |
| 18 | 543 04 60-55 | CHAPEAU GPN 1000/1077/ | | 2 |
| 19 | 732 21 26-01 | LOCK NUT | | 1 |
| 20 | 543 04 02-17 | TOOL | | 1 |
| 21 | 543 07 43-94 | SCHMUTZFAENGER | | 1 |
| 22 | 540 06 51-01 | SUPPORT SHEET | | 1 |
| 23 | 722 79 43-02 | RIVET | | 4 |
| 24 | 734 11 63-01 | WASHER | | 2 |
| 25 | 731 23 18-01 | HEXAGON NUT | | 6 |
| 26 | 543 04 50-04 | **738210404**/ | | 2 |
| 27 | 728 73 62-05 | SCREW | | 1 |
| 28 | 543 85 00-72 | SEPARATING LAYERS 3CARDBOARD 4 | | 1 |
| 29 | 543 07 43-74 | SPACING BLOCK | | 1 |
| 30 | 543 07 60-03 | ABSTANDSSTUECK | | 1 |
| 31 | 540 06 56-01 | ARM | | 1 |
| 32 | 543 04 38-60 | CRANK | | 1 |
| 33 | 732 21 26-01 | LOCK NUT | | 1 |
| 34 | 543 07 43-55 | WASHER | | 2 |
| 35 | 543 04 02-17 | TOOL | | 1 |
| 36 | 725 24 55-71 | SCREW EHHM | | 3 |
| 37 | 540 06 53-01 | ARM | | 1 |
| 38 | 725 23 70-71 | SCREW EHHM | | 2 |
| 39 | 543 85 00-55 | SPACER | | 1 |
| 40 | 727 64 53-51 | SCREW | | 1 |
| 41 | 543 07 52-15 | SCREW | | 1 |
| 42 | 543 85 02-16 | INDEXABLE HANDLE, NUT M8 | | 1 |
| 43 | 543 04 48-97 | ENTRETOISE 30/10.5/3/ | | 1 |
| 44 | 543 07 43-75 | SPACING BLOCK | | 1 |
| 45 | 543 04 47-66 | NUT | | 3 |
| 46 | 543 07 43-82 | BOLT | | 3 |
| 47 | 738 21 00-04 | BALL BEARING | | 3 |
| 48 | 735 31 12-00 | CIRCLIP | | 3 |
| 49 | 734 11 63-01 | WASHER | | 1 |
| 50 | 543 04 48-97 | ENTRETOISE 30/10.5/3/ | | 2 |
| 51 | 735 21 64-01 | LOCKWASHER | | 6 |

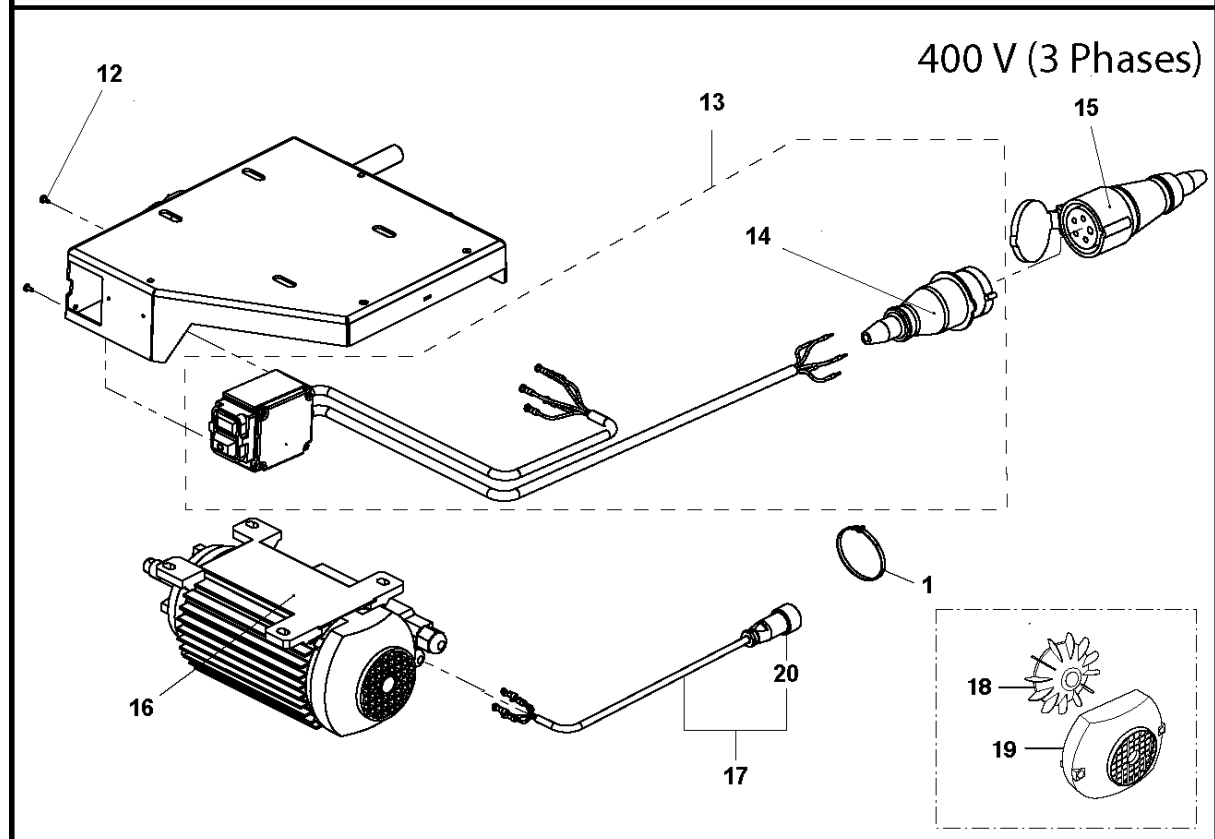
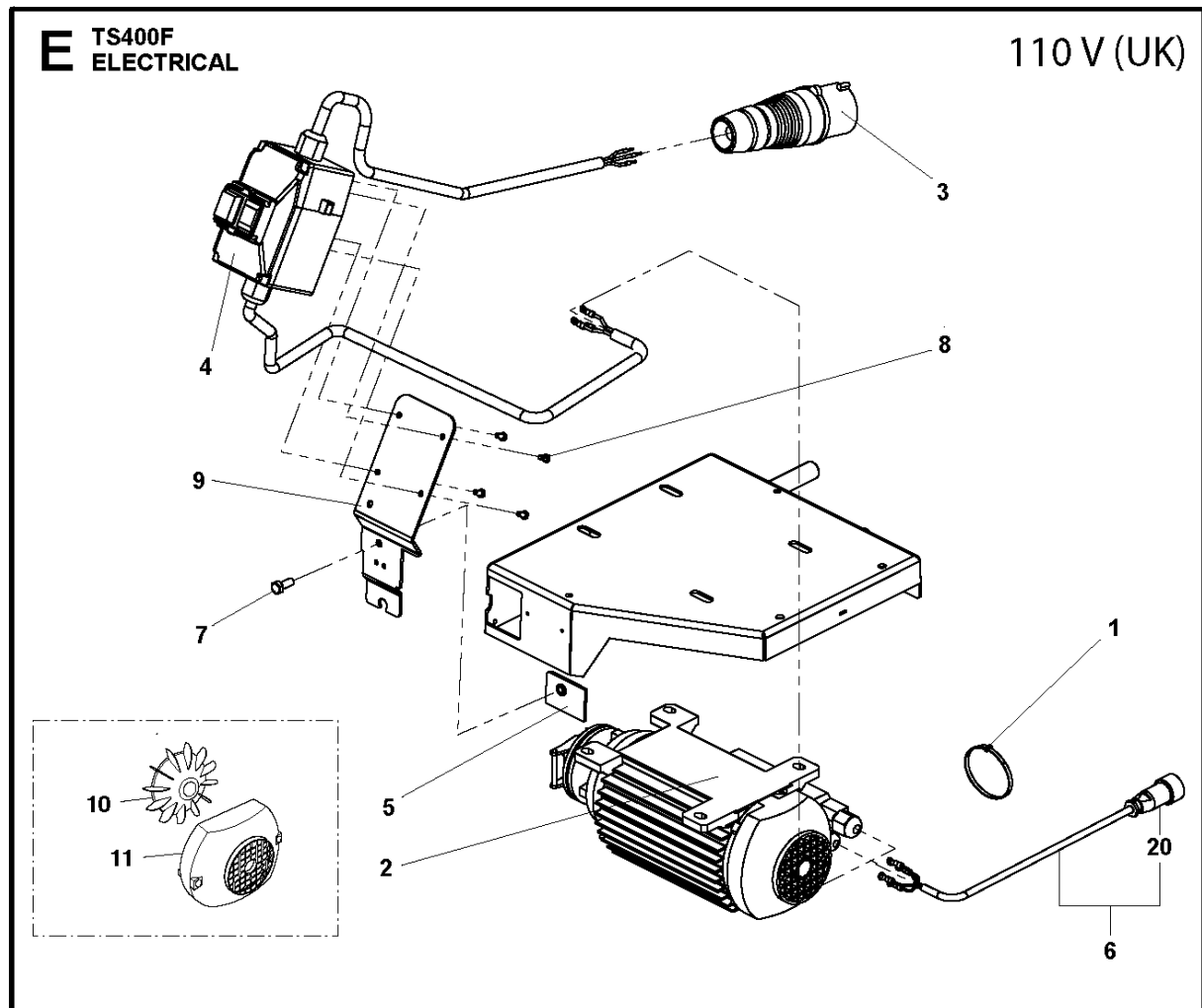
D TS400F
MOTOR AND BLADEGUARDS



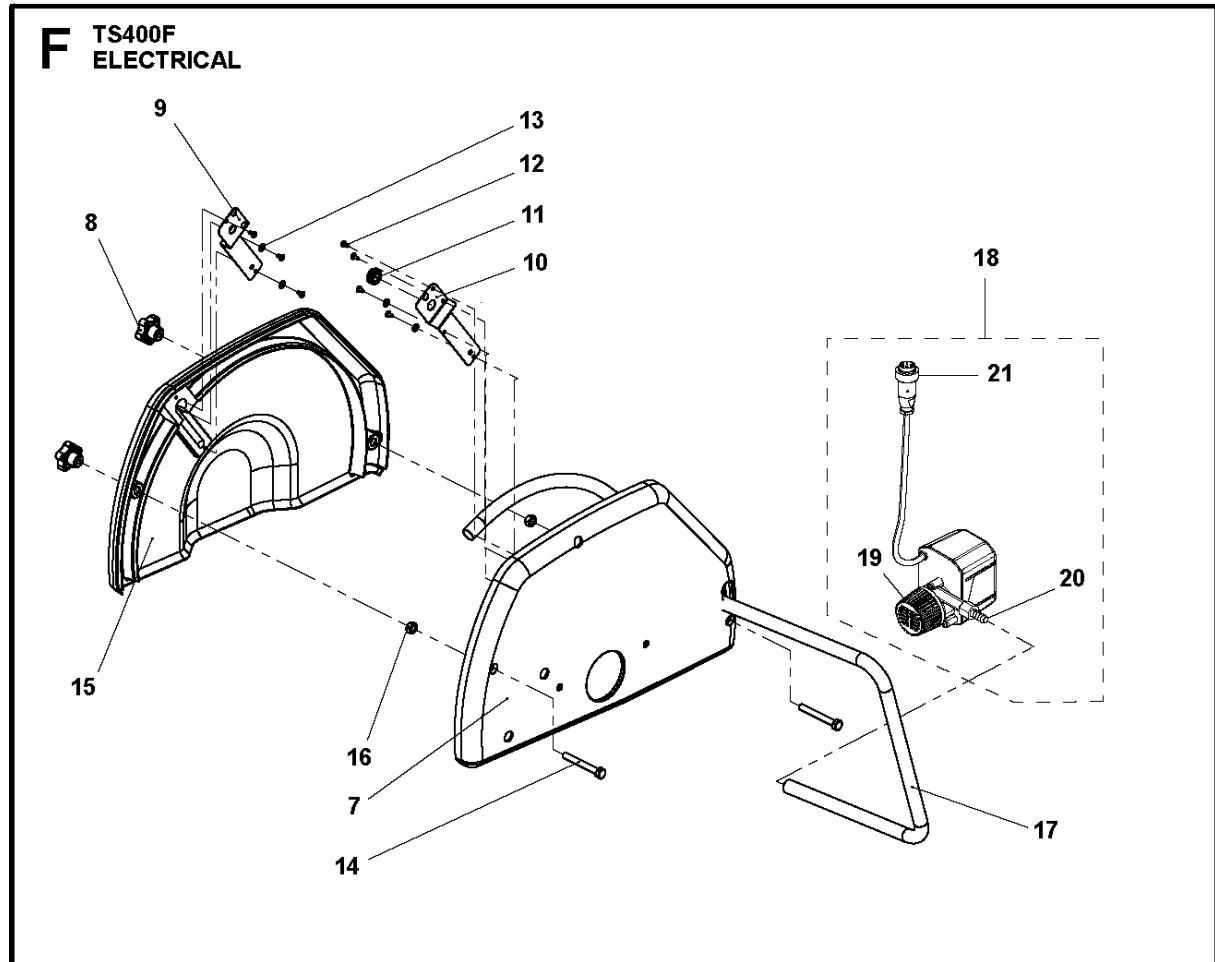
MOTOR AND BLADEGUARDS

TS400 F, 2014-08

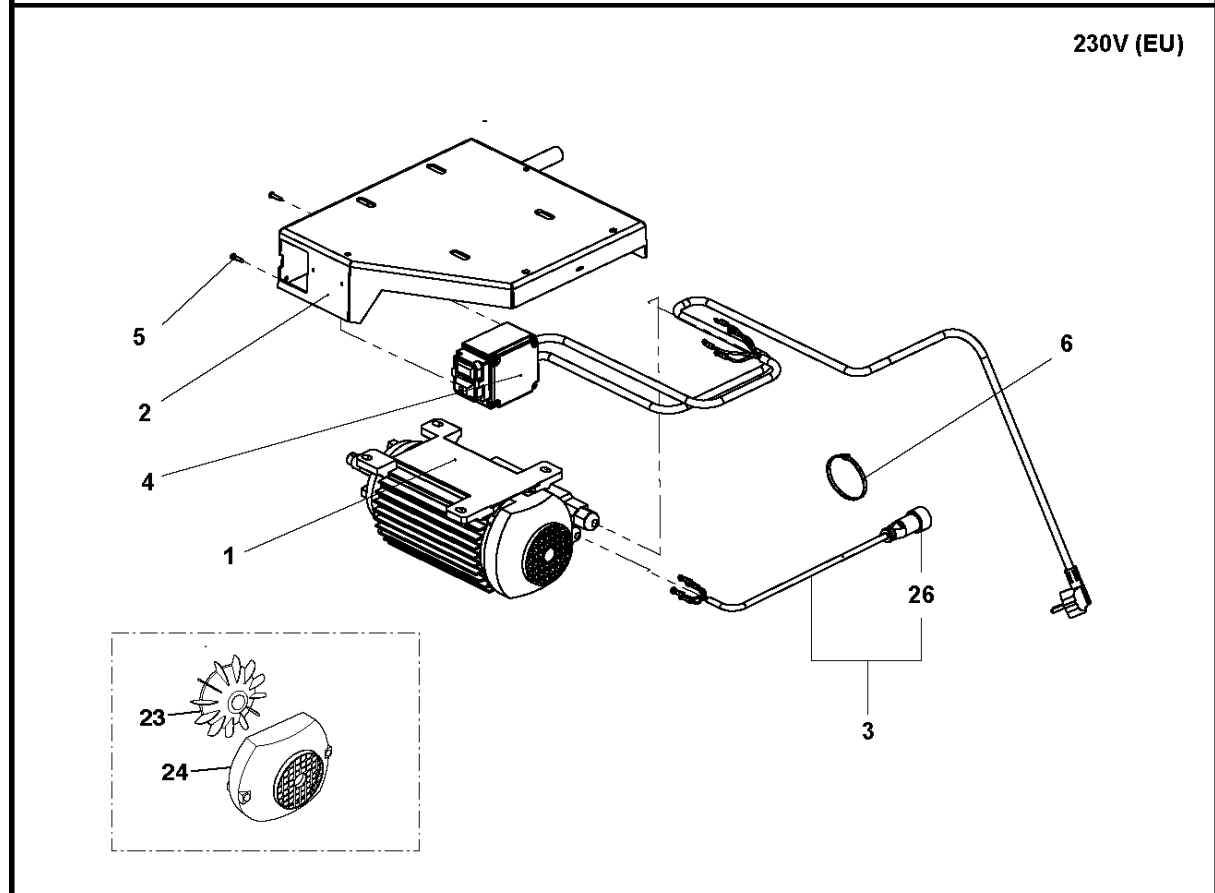
| Ref | Part No | Description | Remark | QTY KIT |
|-----|--------------|---------------------------|---|---------|
| 1 | 725 23 70-71 | SCREW EHHM | | 1 |
| 2 | 734 11 52-01 | WASHER | | 1 |
| 3 | 543 04 56-54 | HANDLE | | 1 |
| 4 | 544 94 75-01 | SUPPORT | | 1 |
| 5 | 725 24 51-71 | SCREW EHHM | | 2 |
| 6 | 734 11 63-01 | WASHER | | 2 |
| 7 | 722 78 18-03 | RIVET | | 2 |
| 8 | 543 04 33-57 | NUT | | 1 |
| 9 | 543 85 01-73 | FLANGE | | 1 |
| 10 | 731 23 16-01 | HEXAGON NUT | | 4 |
| 11 | 735 11 53-01 | WASHER | | 1 |
| 12 | 734 11 52-01 | WASHER | | 1 |
| 13 | 731 23 18-01 | HEXAGON NUT | | 4 |
| 14 | 543 04 66-47 | WASHER | | 4 |
| 15 | 543 04 66-60 | RONDELLE DE REGLAGE/ | | 1 |
| 16 | 540 06 55-01 | MOTOR SUPPORT | | 1 |
| 17 | 543 85 01-76 | CAPACITOR | "230V ""Capacitor 35_F for 2.2Kw motor"" | 1 |
| 17 | 543 09 26-10 | CAPACITOR | "110V ""Capacitor 25_F for 1.1Kw motor" | 1 |
| 18 | 543 85 01-95 | MOTOR | 230V (AUS) | 1 |
| 18 | 543 85 01-83 | MOTOR | 400V | 1 |
| 18 | 543 85 01-80 | MOTOR | 230V (EU) | 1 |
| 18 | 543 85 02-83 | MOTOR | 115V (UK) | 1 |
| 19 | 543 04 47-18 | RONDELLE ACIER L8 BICHRO/ | | 4 |
| 20 | 735 21 64-01 | LOCKWASHER | | 8 |
| 21 | 725 24 55-71 | SCREW EHHM | | 4 |
| 22 | 543 85 01-79 | FAN COVER | | 1 |
| 23 | 543 85 01-78 | FLYWHEEL | | 1 |



| Ref | Part No | Description | Remark | QTY KIT |
|-----|--------------|-------------------------------|-----------------------------|---------|
| 1 | 543 85 00-17 | TIE STRAP | | 16 |
| 2 | 543 85 02-83 | MOTOR | | 1 |
| 3 | 543 04 51-46 | FICHE 2P+T 32A 110V 4H/PRESSE | | 1 |
| 4 | 543 07 15-77 | SWITCH | | 1 |
| 5 | 543 06 99-74 | TOLE DE SERRAGETS350F | | 1 |
| 6 | 506 57 75-01 | WIRE ASSY | | 1 |
| 7 | 725 24 51-71 | SCREW EHHM | | 1 |
| 8 | 725 23 27-71 | SCREW EHHM | | 4 |
| 9 | 543 07 61-08 | SUPPORT TRIPUS 110VTS400F | | 1 |
| 10 | 543 85 01-78 | FLYWHEEL | | 1 |
| 11 | 543 85 01-79 | FAN COVER | | 1 |
| 12 | 729 52 79-01 | SCREW CRPANT | | 2 |
| 13 | 543 85 00-45 | SWITCH | Compl. 3 phase 200V/400V | 1 |
| 14 | 543 04 51-36 | FICHE 16A 380V 3P+N+T 6H/AVEC | * | 1 |
| 15 | 543 04 51-45 | PROLONG. 3P+N+T 16A 6H/ | | 1 |
| 16 | 543 85 01-83 | MOTOR | | 1 |
| 17 | 506 57 75-01 | WIRE ASSY | | 1 |
| 18 | 543 85 01-78 | FLYWHEEL | | 1 |
| 19 | 543 85 01-79 | FAN COVER | | 1 |
| 20 | 578 31 49-01 | CONNECTOR | | 1 |



230V (EU)



| Ref | Part No | Description | Remark | QTY | KIT |
|-----|--------------|--------------------------|------------------|-----|-----|
| 1 | 543 85 01-80 | MOTOR | (230V) | 1 | |
| 2 | 540 06 55-01 | MOTOR SUPPORT | | 1 | |
| 3 | 506 57 75-01 | WIRE ASSY | | 1 | |
| 4 | 543 04 51-31 | SWITCH | | 1 | |
| 5 | 729 53 46-01 | SCREW | | 2 | |
| 6 | 543 85 00-17 | TIE STRAP | | 8 | |
| 7 | 540 06 57-01 | BLADE GUARD | | 1 | |
| 8 | 543 04 60-84 | STEERING WHEEL | | 2 | |
| 9 | 543 07 51-06 | WATER DISPENCER 1TS400F | | 1 | |
| 10 | 543 07 51-05 | PLATE | | 1 | |
| 11 | 543 04 52-02 | PASSE FIL DA 110X140X30/ | | 1 | |
| 12 | 724 12 85-51 | SCREW | | 7 | |
| 13 | 734 11 36-01 | WASHER | | 4 | |
| 14 | 725 24 64-71 | SCREW EHHM | | 2 | |
| 15 | 540 06 58-01 | BLADE GUARD | | 1 | |
| 16 | 731 23 18-01 | HEXAGON NUT | | 2 | |
| 17 | 543 04 55-80 | HOSE | -1,6 | 1 | |
| 18 | 506 20 73-01 | PUMP | Compl* (230V) EU | 1 | |
| 18 | 506 20 73-02 | PUMP | Compl* (115V) UK | 1 | |
| 19 | 582 73 75-01 | STRAINER | * | 1 | |
| 20 | 543 85 04-55 | ADAPTATOR FOR FILTER | For 115V pump | 1 | |
| 20 | 582 73 77-02 | NIPPLE | For 230V pump | 1 | |
| 21 | 543 04 55-77 | HOSE | * (0,06) | 1 | |
| 22 | 543 85 04-28 | BYPASS TEE FOR PUMP 25W | * | 1 | |
| 23 | 543 85 01-78 | FLYWHEEL | | 1 | |
| 24 | 543 85 01-79 | FAN COVER | | 1 | |
| 25 | 578 31 49-02 | CONNECTOR | | 1 | |
| 26 | 578 31 49-01 | CONNECTOR | | 1 | 3 |