

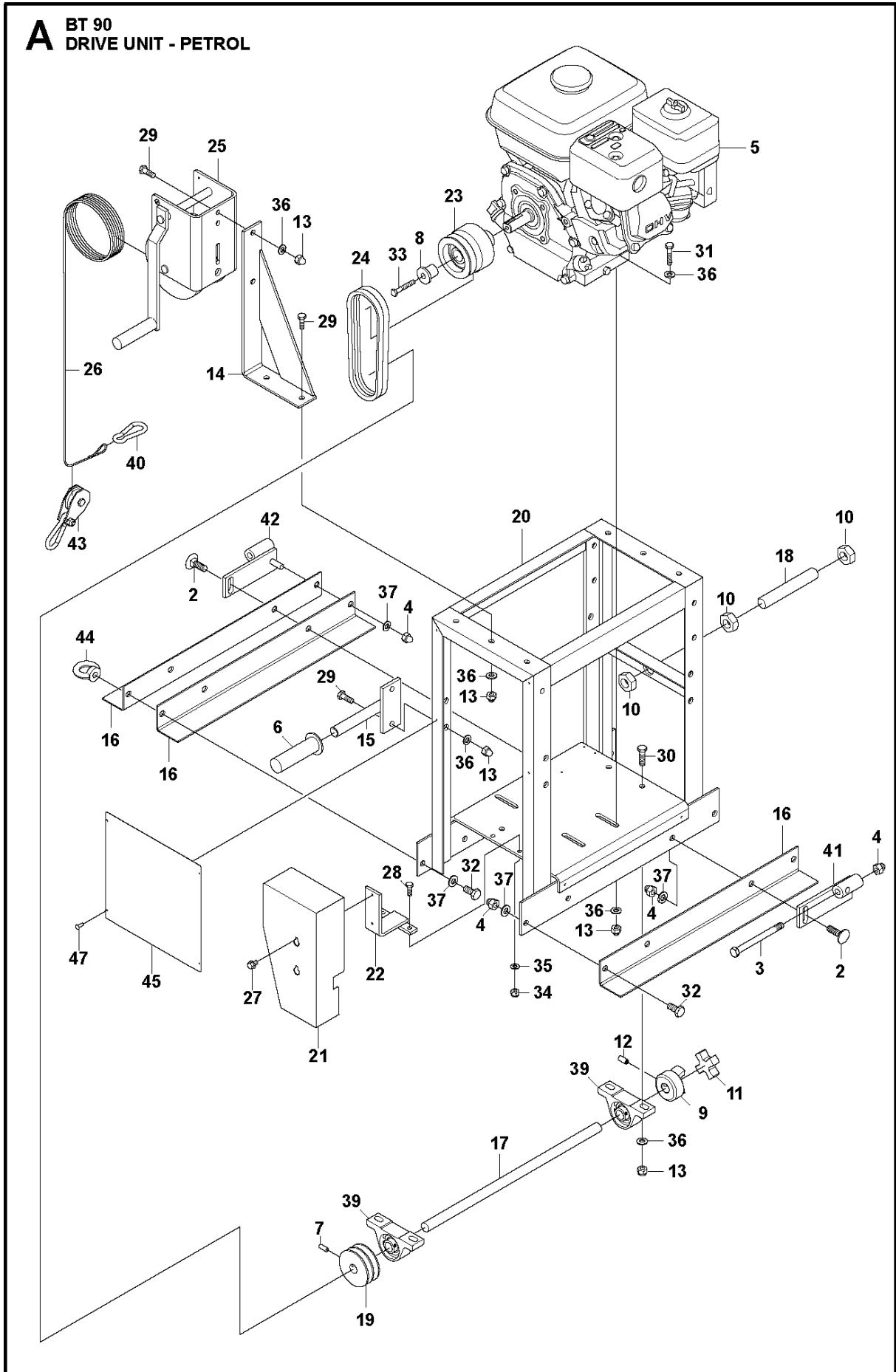


# SPARE PARTS LIST

## BEAMS & SCREEDS

BT 90, 967941102, 967941103,  
967941108, 967941104, 967941116,  
967941105, 967941106, 967941107,  
967941109, 967941110, 967941111,  
2019-09

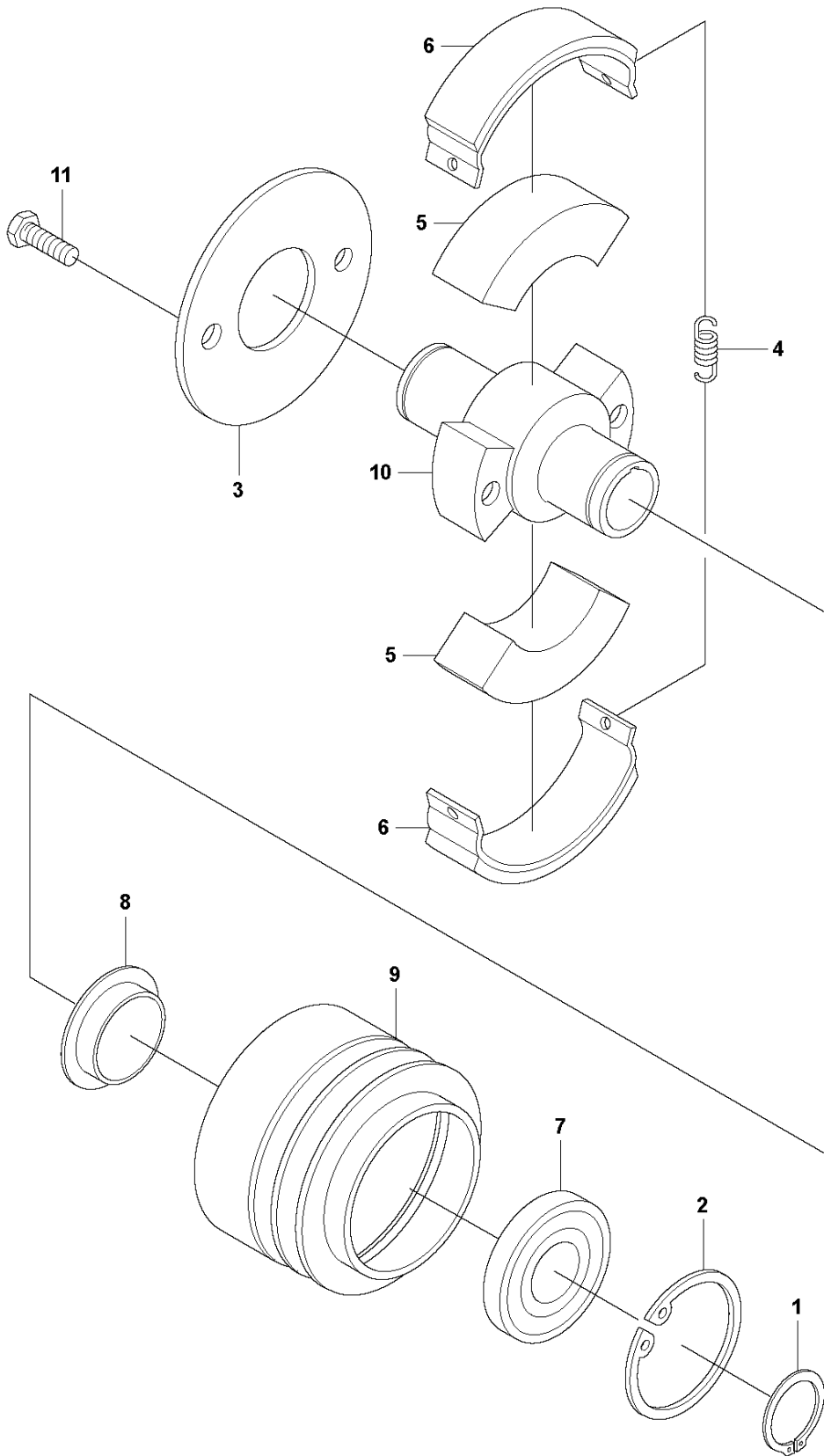
**A** BT 90  
DRIVE UNIT - PETROL



DRIVE UNIT - PETROL BT 90, 967941102, 967941103, 967941108, 967941104, 967941116,  
967941105, 967941106, 967941107, 967941109, 967941110, 967941111, 2019-09

Ref	Part No	Description	Remark	QTY KIT
2	596 07 11-01	SCREW	M12x35 DIN603 8.8 A3K	2
3	594 28 58-01	SCREW	M12x130 ISO4014 8.8 A3K	1
4	594 28 76-01	NUT	M12 DIN986 FZB	8
5	594 35 23-01	ENGINE	Honda GX270 UT2 SWS4 SD NH1	1
6	594 37 90-01	HANDLE		2
7	594 38 06-01	SCREW	M8x20 ISO4029 45H	2
8	594 61 89-01	WASHER		1
9	594 39 19-01	COUPLING		1
10	594 39 22-01	NUT	M24x2 DIN439B	3
11	594 39 23-01	CROSSBAR		1
12	594 39 27-01	SCREW	M10x20 ISO4029 45H	1
13	594 39 28-01	NUT	M10 DIN986 FZB	16
15	595 16 39-01	HANDLE		2
16	594 39 36-01	BAR		3
17	594 39 37-01	SHAFT		1
18	595 16 40-01	SCREW		1
19	594 39 38-01	PULLEY		1
21	598 20 26-01	BELT GUARD		1
22	595 46 07-01	HOLDER		1
23	594 62 50-01	CLUTCH		1
24	594 39 40-01	V-BELT		2
25	594 39 41-01	AXLE		1
26	594 39 48-01	CABLE		1
28	595 46 58-01	SCREW	M8x22 ISO4017 8.8 A3K	2
29	595 07 11-01	SCREW	M10x25 ISO4017 8.8 A3K	8
30	594 11 86-01	SCREW	M10x35 ISO4017 8.8 A3K	4
31	595 05 46-01	SCREW	M10x40 ISO4014 8.8 A3K	4
32	595 34 53-01	SCREW	M12x25 ISO4017 8.8 A3K	4
33	595 28 71-01	SCREW	M8x50 ISO4014 8.8 A2K	1
34	595 35 23-01	NUT	M8 ISO7040 8 A2K	2
35	595 03 66-01	WASHER	M8 ISO7089 200HV A2K	2
36	595 11 33-01	WASHER	M10 ISO7089 200HV A2K	20
37	595 11 34-01	WASHER	M12 ISO7089 200HV A2K	8
39	594 68 10-01	BEARING	UCP204	2
40	594 49 80-01	HOOK		1
41	594 68 90-01	PLATE		1
42	594 68 91-01	PLATE		1
43	594 69 65-01	SHACKLE		1
44	595 46 08-01	NUT		1
45	595 27 70-01	COVER		1
47	595 44 93-01	RIVET	3.2x9	4

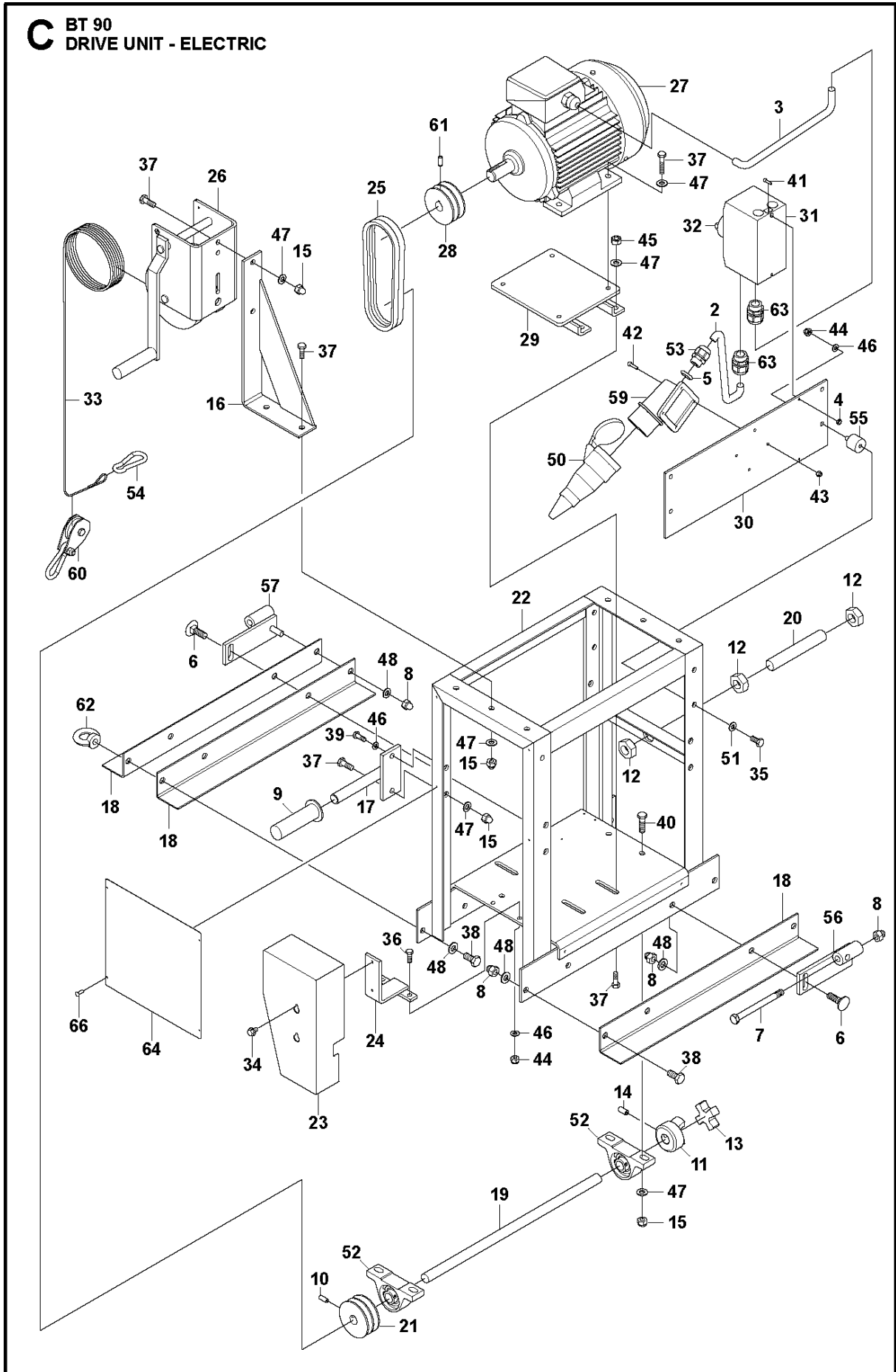
**B** BT 90  
CENTRIFUGAL CLUTCH



CENTRIFUGAL CLUTCH BT 90, 967941102, 967941103, 967941108, 967941104, 967941116,  
 967941105, 967941106, 967941107, 967941109, 967941110, 967941111, 2019-09

Ref	Part No	Description	Remark	QTY KIT
1	595 11 40-01	SNAP RING	D35x1.5 DIN471	1
2	595 14 50-01	SNAP RING	D62x2 DIN472	1
3	595 16 20-01	FLANGE		1
4	594 37 22-01	SPRING		2
5	594 37 23-01	WEIGHT		2
6	594 37 24-01	LINING		2
7	597 29 12-01	BALL BEARING	6007 2RS	1
8	595 16 41-01	SPACER		1
9	595 16 42-01	CLUTCH		1
10	595 47 42-01	AXLE		1
11	595 34 78-01	SOCKET	M6x10 DIN912 8.8 FZB	2

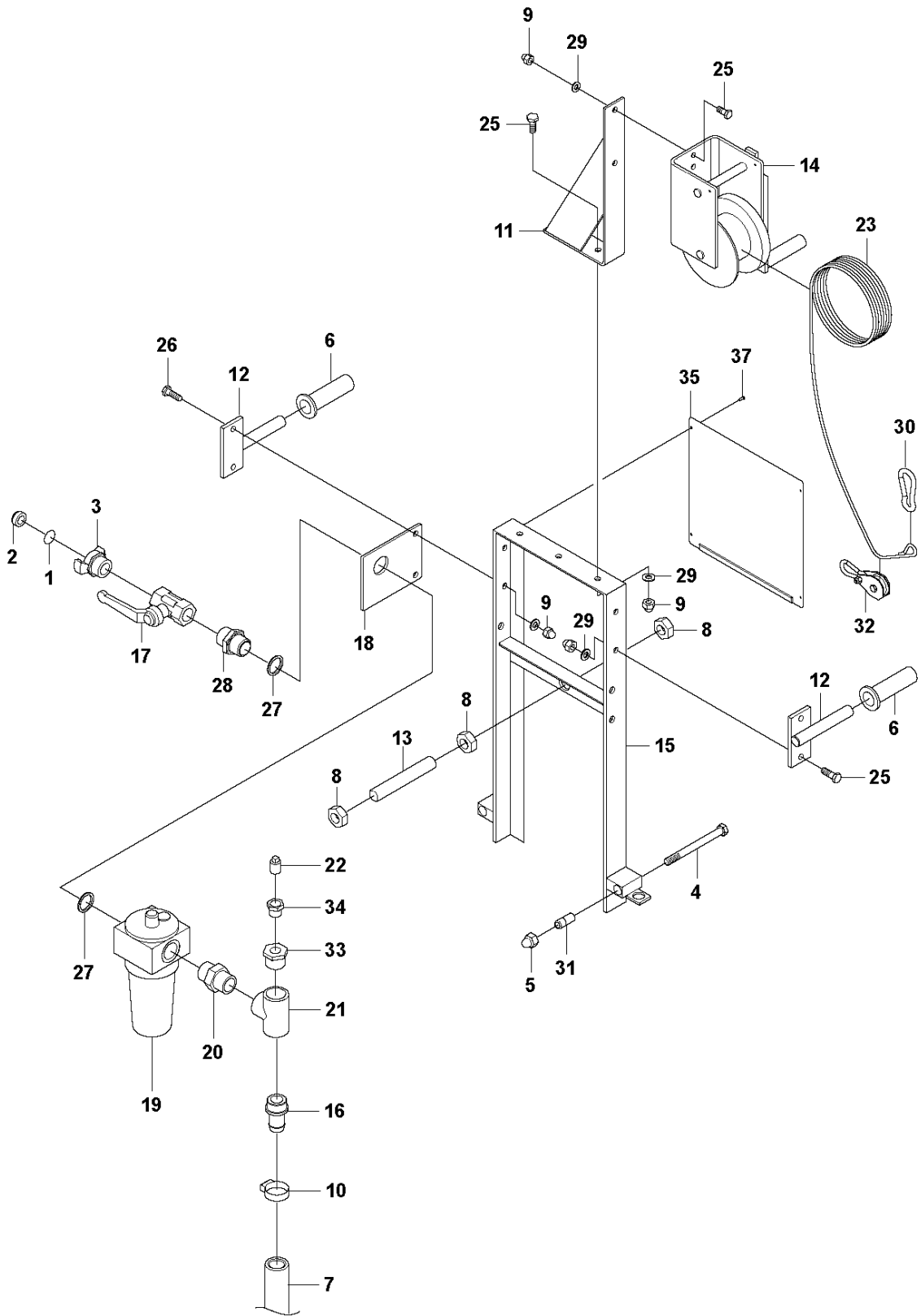
**C** BT 90  
DRIVE UNIT - ELECTRIC



DRIVE UNIT - ELECTRIC BT 90, 967941102, 967941103, 967941108, 967941104, 967941116,  
967941105, 967941106, 967941107, 967941109, 967941110, 967941111, 2019-09

Ref	Part No	Description	Remark	QTY KIT
2	594 83 78-03	CABLE	0.65 m	1
3	594 83 78-04	CABLE	0.5 m	1
4	595 06 92-01	LOCK NUT	M4 ISO10511 8 FZB	2
5	598 04 01-01	NUT	M16	1
6	596 07 11-01	SCREW	M12x35 DIN603 8.8 A3K	2
7	594 28 58-01	SCREW	M12x130 ISO4014 8.8 A3K	1
8	594 28 76-01	NUT	M12 DIN986 FZB	8
9	594 37 90-01	HANDLE		2
10	594 38 06-01	SCREW	M8x20 ISO4029 45H	2
11	594 39 19-01	COUPLING		1
12	594 39 22-01	NUT	M24x2 DIN439B	3
13	594 39 23-01	CROSSBAR		1
14	594 39 27-01	SCREW	M10x20 ISO4029 45H	1
15	594 39 28-01	NUT	M10 DIN986 FZB	10
17	595 16 39-01	HANDLE		2
18	594 39 36-01	BAR		3
19	594 39 37-01	SHAFT		1
20	595 16 40-01	SCREW		1
21	594 39 38-01	PULLEY		1
23	597 16 11-01	BELT GUARD		1
24	595 46 07-01	HOLDER		1
25	594 39 40-01	V-BELT		2
26	594 39 41-01	AXLE		1
27	597 16 08-01	MOTOR		1
28	595 16 44-01	PULLEY		1
29	597 16 09-01	HOLDER		1
30	598 20 03-01	HOLDER		1
31	594 39 42-01	BOX		1
32	594 39 43-01	CIRCUIT BREAKER		1
33	594 39 48-01	CABLE		1
35	595 11 01-01	SCREW	M8x16 ISO4017 8.8 A3K	2
36	595 46 58-01	SCREW	M8x22 ISO4017 8.8 A3K	2
37	595 07 11-01	SCREW	M10x25 ISO4017 8.8 A3K	14
38	595 34 53-01	SCREW	M12x25 ISO4017 8.8 A3K	4
39	594 11 79-01	SCREW	M8x20 ISO4017 8.8 A3K	2
40	594 11 86-01	SCREW	M10x35 ISO4017 8.8 A3K	4
41	595 99 20-01	SCREW	M4x16 ISO1207 4.8 A2K	2
42	594 50 04-01	SCREW	M5x20 ISO1207 4.8 A2K	4
43	595 35 22-01	LOCK NUT	M5 ISO7040 8 A2K	4
44	595 35 23-01	NUT	M8 ISO7040 8 A2K	6
45	594 12 29-01	LOCK NUT	M10 ISO10511 8 FZB	4
46	595 03 66-01	WASHER	M8 ISO7089 200HV A2K	6
47	595 11 33-01	WASHER	M10 ISO7089 200HV A2K	18
48	595 11 34-01	WASHER	M12 ISO7089 200HV A2K	8
50	594 60 03-01	PLUG		1
51	595 11 36-01	WASHER	M8 DIN6796 FZB	4
52	594 68 10-01	BEARING	UCP204	2
53	596 00 73-01	BOX		1
54	594 49 80-01	HOOK		1
55	594 68 25-01	ABSORBER		4
56	594 68 90-01	PLATE		1
57	594 68 91-01	PLATE		1
59	594 69 25-01	PLUG		1
60	594 69 65-01	SHACKLE		1
61	598 64 06-01	SCREW	M8x16 ISO4029 45H	1
62	595 46 08-01	NUT	M12 DIN582	1
63	595 46 24-01	BOX		2
64	595 27 70-01	COVER		1
66	595 44 93-01	RIVET	3.2x9	4

**D** BT 90  
DRIVE UNIT - PNEUMATIC

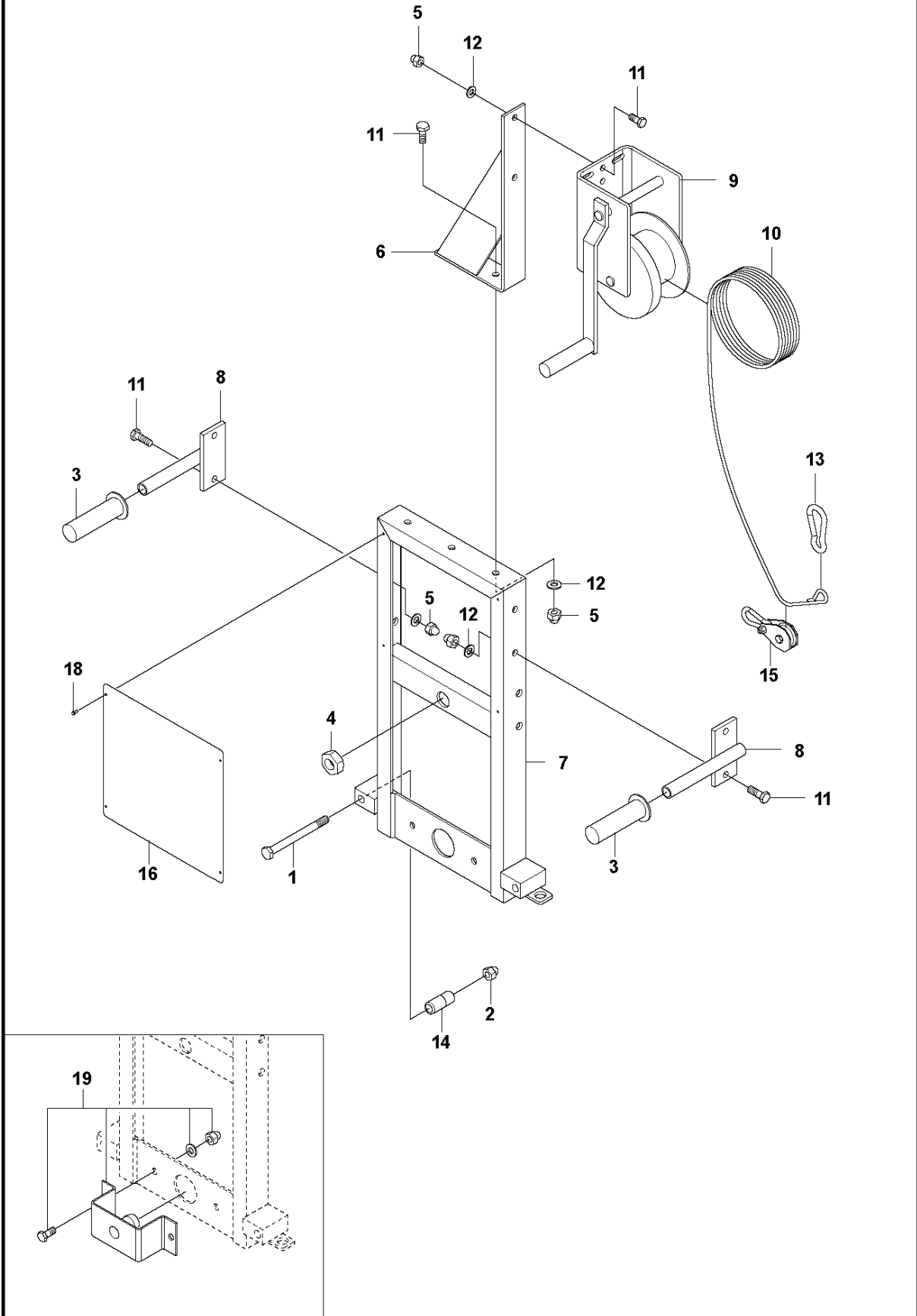




DRIVE UNIT - PNEUMATIC BT 90, 967941102, 967941103, 967941108, 967941104, 967941116,  
967941105, 967941106, 967941107, 967941109, 967941110, 967941111, 2019-09

Ref	Part No	Description	Remark	QTY KIT
1	594 25 37-01	FILTER		1
2	594 25 39-01	SEAL		1
3	594 25 53-01	COUPLING		1
4	594 28 58-01	SCREW	M12x130 ISO4014 8.8 A3K	1
5	594 28 76-01	NUT	M12 DIN986 FZB	1
6	594 37 90-01	HANDLE		2
7	594 38 84-07	HOSE		1
8	594 39 22-01	NUT	M24x2 DIN439B	3
9	594 39 28-01	NUT	M10 DIN986 FZB	8
10	594 81 78-01	CLAMP		2
12	595 16 39-01	HANDLE		2
13	595 16 40-01	SCREW		1
14	594 39 41-01	AXLE		1
15	595 19 72-01	FRAME		1
16	595 16 46-01	NIPPLE		1
17	594 39 44-01	VALVE		1
18	594 42 42-01	HOLDER		1
19	594 42 41-01	LUBRICATION NIPPLE		1
20	594 39 45-01	ADAPTER		1
21	595 16 47-01	ADAPTER		1
22	595 16 48-01	PLUG		1
23	594 39 48-01	CABLE		1
25	595 07 11-01	SCREW	M10x25 ISO4017 8.8 A3K	6
26	594 11 85-01	BOLT	M10x30 ISO4017 8.8 A3K	2
27	595 28 91-01	O-RING	29.82 x 2.62 NBR 70 shore	2
28	594 42 43-01	ADAPTER		1
29	595 11 33-01	WASHER	M10 ISO7089 200HV A2K	8
30	594 49 80-01	HOOK		1
31	595 20 31-01	SLEEVE		1
32	594 69 65-01	SHACKLE		1
33	598 25 52-01	NIPPLE		1
34	598 25 53-01	NIPPLE		1
35	595 27 70-01	COVER		1
37	595 44 93-01	RIVET	3.2x9	4

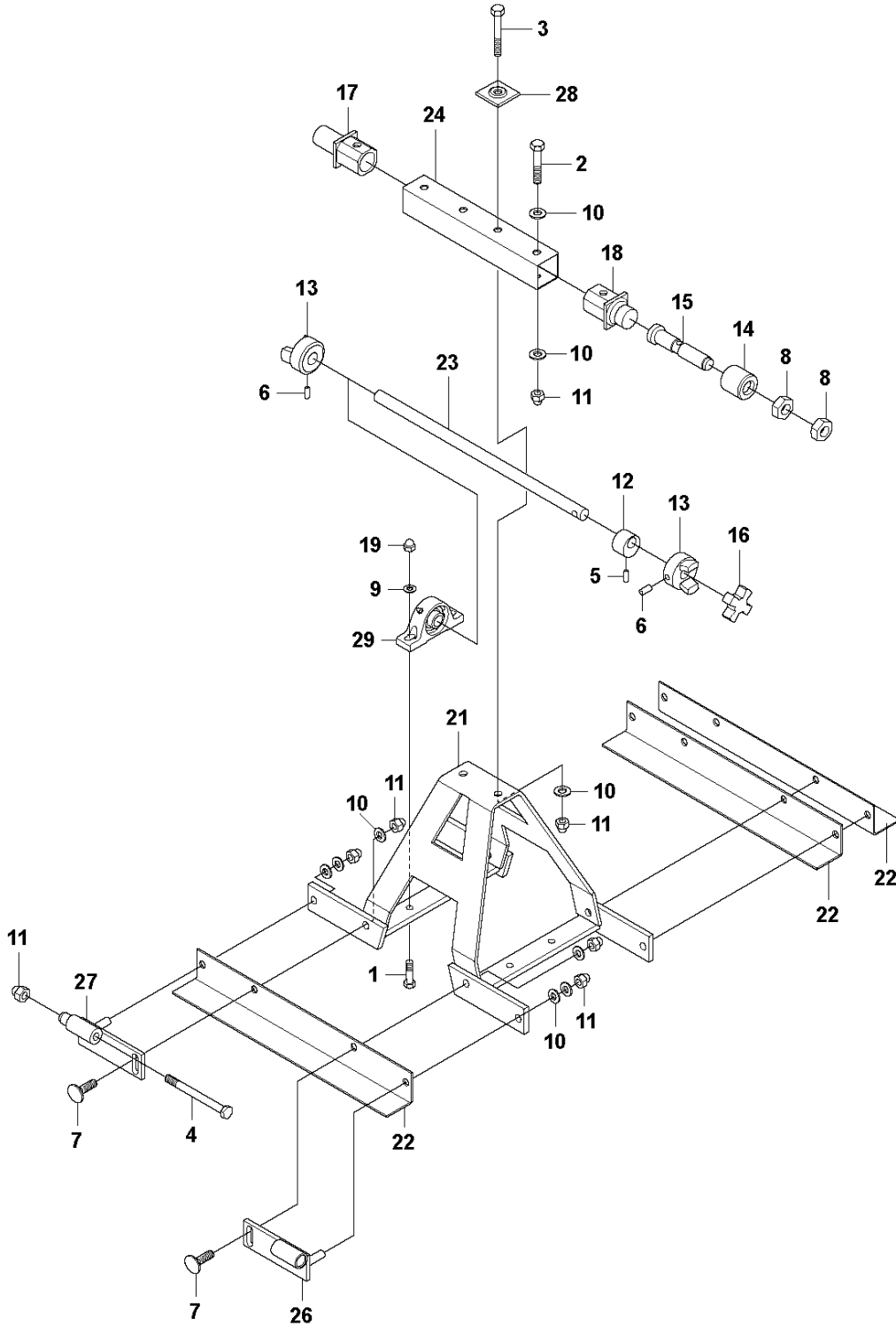
**E** BT 90  
FREE END SECTION



FREE END SECTION BT 90, 967941102, 967941103, 967941108, 967941104, 967941116,  
967941105, 967941106, 967941107, 967941109, 967941110, 967941111, 2019-09

Ref	Part No	Description	Remark	QTY KIT
1	594 28 58-01	SCREW	M12x130 ISO4014 8.8 A3K	1
2	594 28 76-01	NUT	M12 DIN986 FZB	1
3	594 37 90-01	HANDLE		2
4	594 39 22-01	NUT	M24x2 DIN439B	1
5	594 39 28-01	NUT	M10 DIN986 FZB	8
7	598 76 86-01	FRAME		1
8	595 16 39-01	HANDLE		2
9	594 39 35-01	AXLE		1
10	594 39 48-01	CABLE		1
11	595 07 11-01	SCREW	M10x25 ISO4017 8.8 A3K	8
12	595 11 33-01	WASHER	M10 ISO7089 200HV A2K	8
13	594 49 80-01	HOOK		1
14	595 20 31-01	SLEEVE		2
15	594 69 65-01	SHACKLE		1
16	595 27 70-01	COVER		1
18	595 44 93-01	RIVET	3.2x9	4
19	595 16 66-01	PLUG	Pneumatic units only	1

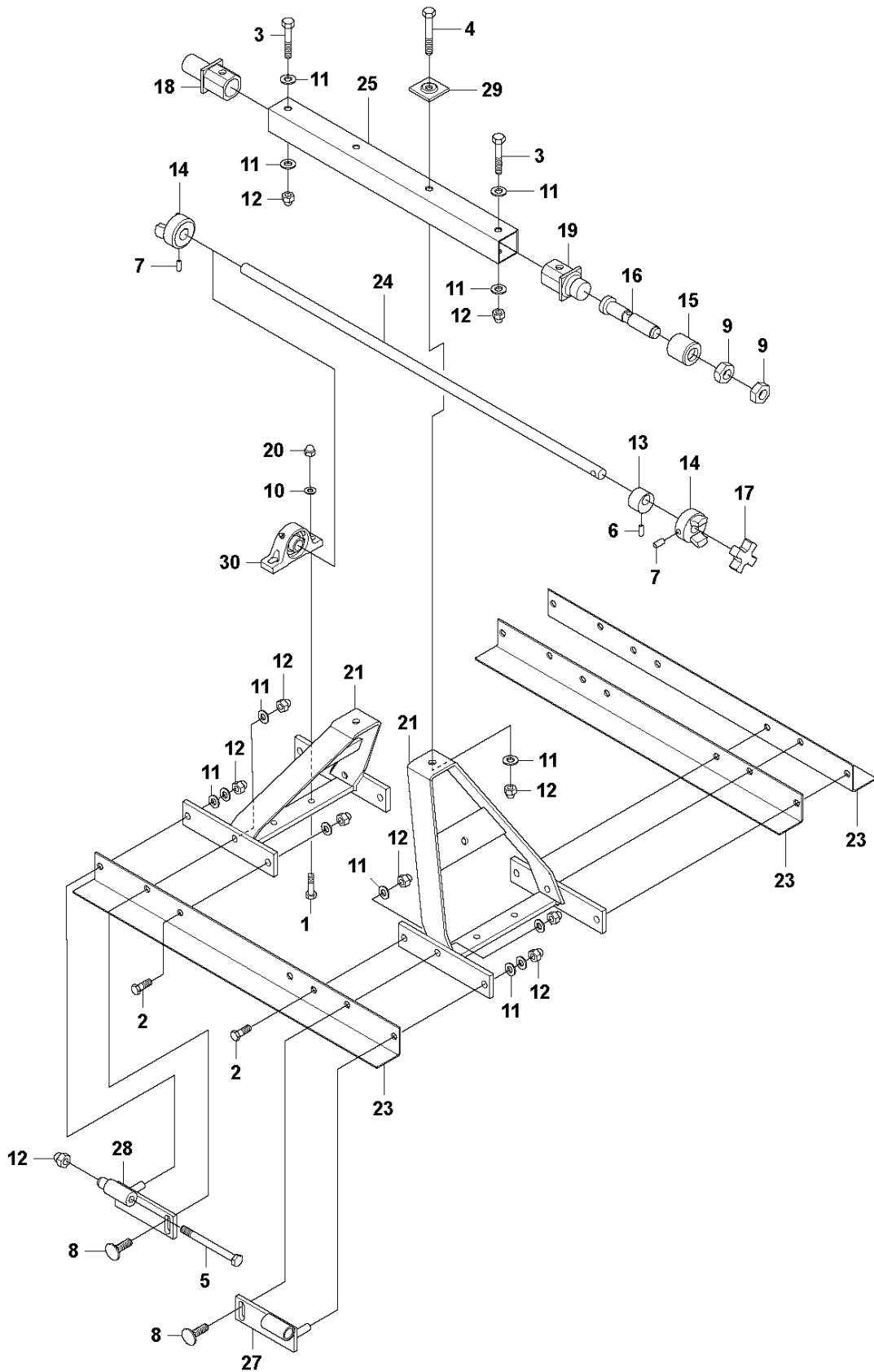
**F** BT 90  
SCREED SECTIONS 0.5M - ELECTRIC / PETROL



SCREED SECTIONS 0.5M - ELECTRIC / PETROL BT 90, 967941102, 967941103, 967941108, 967941104, 967941116, 967941105, 967941106, 967941107, 967941109, 967941110, 967941111,

Ref	Part No	Description	Remark	QTY KIT
1	595 05 46-01	SCREW	M10x40 ISO4014 8.8 A3K	4
2	595 88 76-01	SCREW	M12x70 ISO4014 8.8 A3K	2
3	595 34 55-01	SCREW	M12x80 ISO4014 8.8 A3K	2
4	594 28 58-01	SCREW	M12x130 ISO4014 8.8 A3K	2
5	594 38 06-01	SCREW	M8x20 ISO4029 45H	3
6	594 39 27-01	SCREW	M10x20 ISO4029 45H	2
7	594 79 28-01	SCREW	M12x45 DIN 603 8.8 A3K	4
8	594 39 22-01	NUT	M24x2 DIN 439B	2
9	595 11 33-01	WASHER	M10 ISO7089 200HV A2K	4
10	595 11 34-01	WASHER	M12 ISO7089 200HV A2K	16
11	594 28 76-01	NUT	M12 DIN986 FZB	14
12	594 38 05-01	EXCENTER		3
13	594 39 19-01	COUPLING		2
14	594 39 20-01	SLEEVE		1
15	594 39 21-01	SCREW		1
16	594 39 23-01	CROSSBAR		1
17	594 39 24-01	HOLDER		1
18	594 39 25-01	HOLDER		1
19	594 39 28-01	NUT	M10 DIN986 FZB	4
21	598 20 24-01	HOLDER		1
22	595 20 15-01	BAR		3
23	595 20 16-01	SHAFT		1
24	595 20 17-01	TUBE		1
26	594 68 91-01	PLATE		2
27	594 68 90-01	PLATE		2
28	594 69 19-01	WASHER		2
29	594 68 10-01	BEARING	UCP204	2

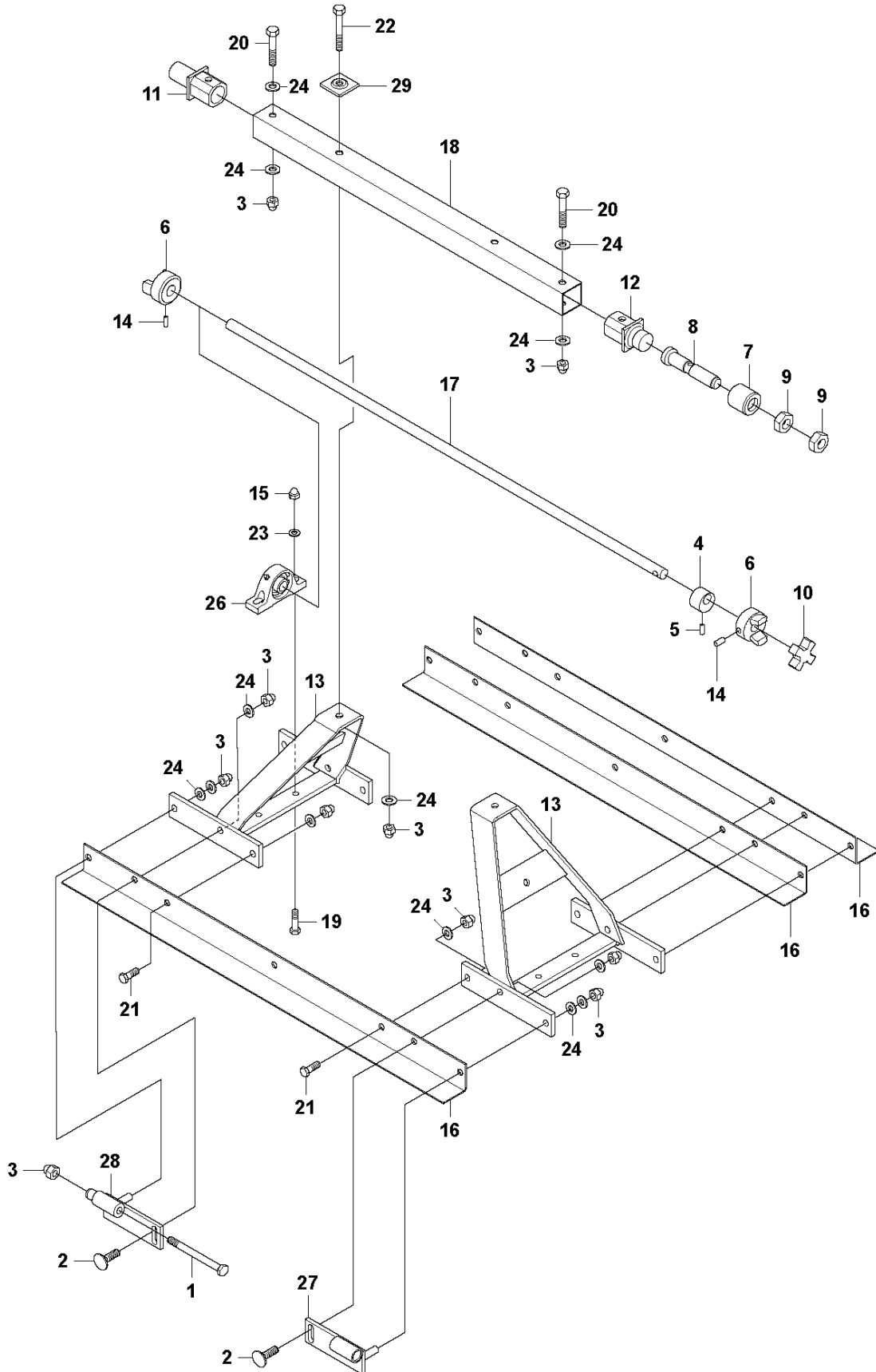
**G** BT 90  
SCREED SECTIONS 0.75M - ELECTRIC / PETROL



SCREED SECTIONS 0.75M - ELECTRIC / PETROL BT 90, 967941102, 967941103, 967941108, 967941104, 967941116, 967941105, 967941106, 967941107, 967941109, 967941110, 967941111,

Ref	Part No	Description	Remark	QTY KIT
1	595 05 46-01	SCREW	M10x40 ISO4014 8.8 A3K	4
2	594 11 90-01	BOLT	M12x30 ISO4017 8.8 A3K	4
3	595 88 76-01	SCREW	M12x70 ISO4014 8.8 A3K	2
4	595 34 55-01	SCREW	M12x80 ISO4014 8.8 A3K	2
5	594 28 58-01	SCREW	M12x130 ISO4014 8.8 A3K	2
6	594 38 06-01	SCREW	M8x20 ISO4029 45H	4
7	594 39 27-01	SCREW	M10x20 ISO4029 45H	2
8	594 79 28-01	SCREW	M12x45 DIN 603 8.8 A3K	4
9	594 39 22-01	NUT	M24x2 DIN 439B	2
10	595 11 33-01	WASHER	M10 ISO7089 200HV A2K	4
11	595 11 34-01	WASHER	M12 ISO7089 200HV A2K	20
12	594 28 76-01	NUT	M12 DIN986 FZB	18
13	594 38 05-01	EXCENTER		4
14	594 39 19-01	COUPLING		2
15	594 39 20-01	SLEEVE		1
16	594 39 21-01	SCREW		1
17	594 39 23-01	CROSSBAR		1
18	594 39 24-01	HOLDER		1
19	594 39 25-01	HOLDER		1
20	594 39 28-01	NUT	M10 DIN986 FZB	4
23	595 47 70-01	ANGLE BRACKET		3
24	595 20 13-01	SHAFT		1
25	595 20 14-01	TUBE		1
27	594 68 91-01	PLATE		2
28	594 68 90-01	PLATE		2
29	594 69 19-01	WASHER		2
30	594 68 10-01	BEARING	UCP204	2

# H BT 90 SCREED SECTIONS 1M - ELECTRIC / PETROL

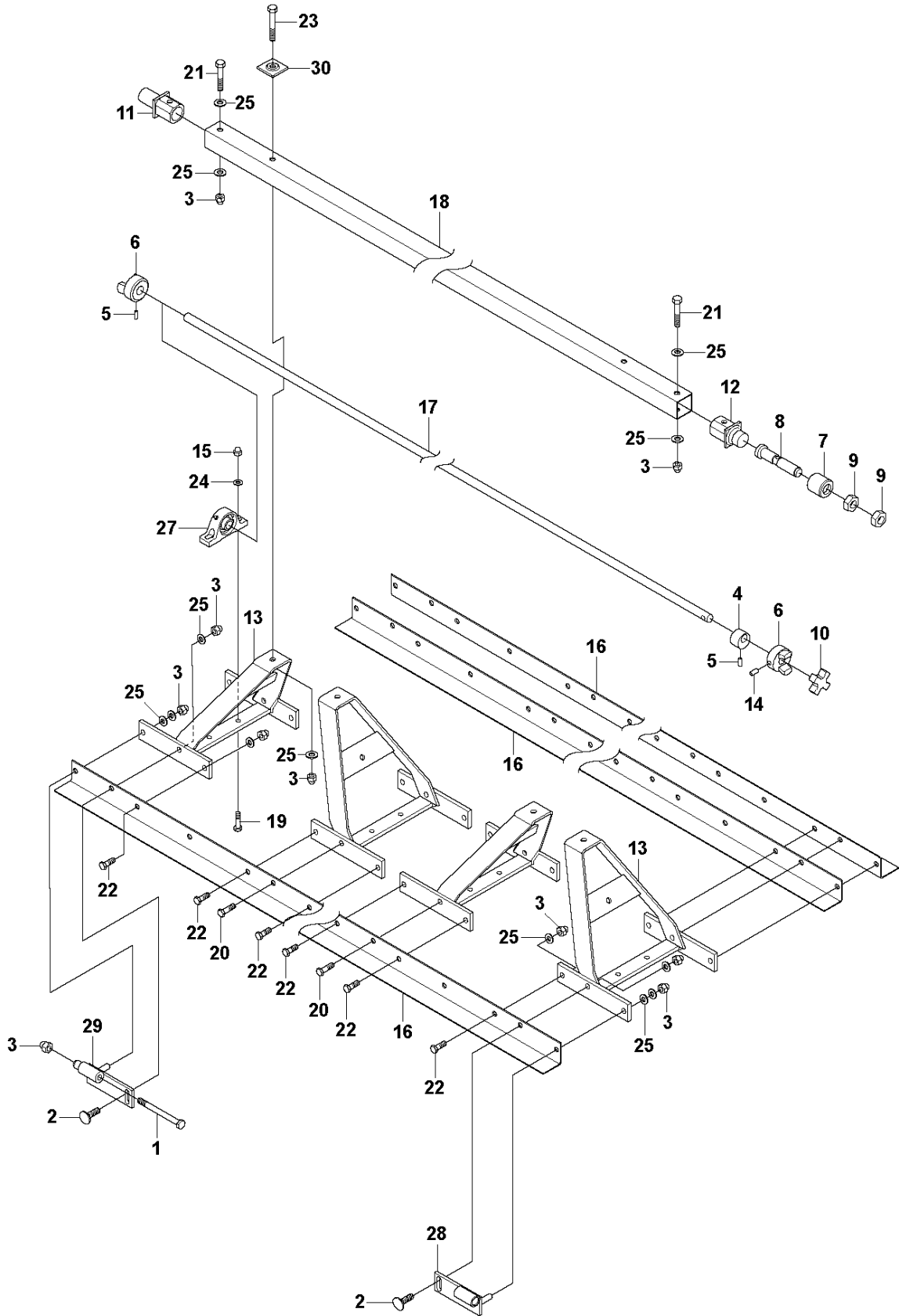




SCREED SECTIONS 1M - ELECTRIC / PETROL BT 90, 967941102, 967941103, 967941108,  
 967941104, 967941116, 967941105, 967941106, 967941107, 967941109, 967941110, 967941111,

Ref	Part No	Description	Remark	QTY KIT
1	594 28 58-01	SCREW	M12x130 ISO4014 8.8 A3K	2
2	594 79 28-01	SCREW	M12x45 DIN 603 8.8 A3K	4
3	594 28 76-01	NUT	M12 DIN986 FZB	18
4	594 38 05-01	EXCENTER		4
5	594 38 06-01	SCREW	M8x20 ISO4029 45H	4
6	594 39 19-01	COUPLING		2
7	594 39 20-01	SLEEVE		1
8	594 39 21-01	SCREW		1
9	594 39 22-01	NUT	M24x2 DIN 439B	2
10	594 39 23-01	CROSSBAR		1
11	594 39 24-01	HOLDER		1
12	594 39 25-01	HOLDER		1
14	594 39 27-01	SCREW	M10x20 ISO4029 45H	2
15	594 39 28-01	NUT	M10 DIN986 FZB	4
16	594 39 17-01	BAR		3
17	594 39 18-01	SHAFT		1
18	598 20 05-01	TUBE		1
19	595 05 46-01	SCREW	M10x40 ISO4014 8.8 A3K	4
20	595 88 76-01	SCREW	M12x70 ISO4014 8.8 A3K	2
21	594 11 90-01	BOLT	M12x30 ISO4017 8.8 A3K	4
22	595 34 55-01	SCREW	M12x80 ISO4014 8.8 A3K	2
23	595 11 33-01	WASHER	M10 ISO7089 200HV A2K	4
24	595 11 34-01	WASHER	M12 ISO7089 200HV A2K	20
26	594 68 10-01	BEARING	UCP204	2
27	594 68 90-01	PLATE		2
28	594 68 91-01	PLATE		2
29	594 69 19-01	WASHER		2

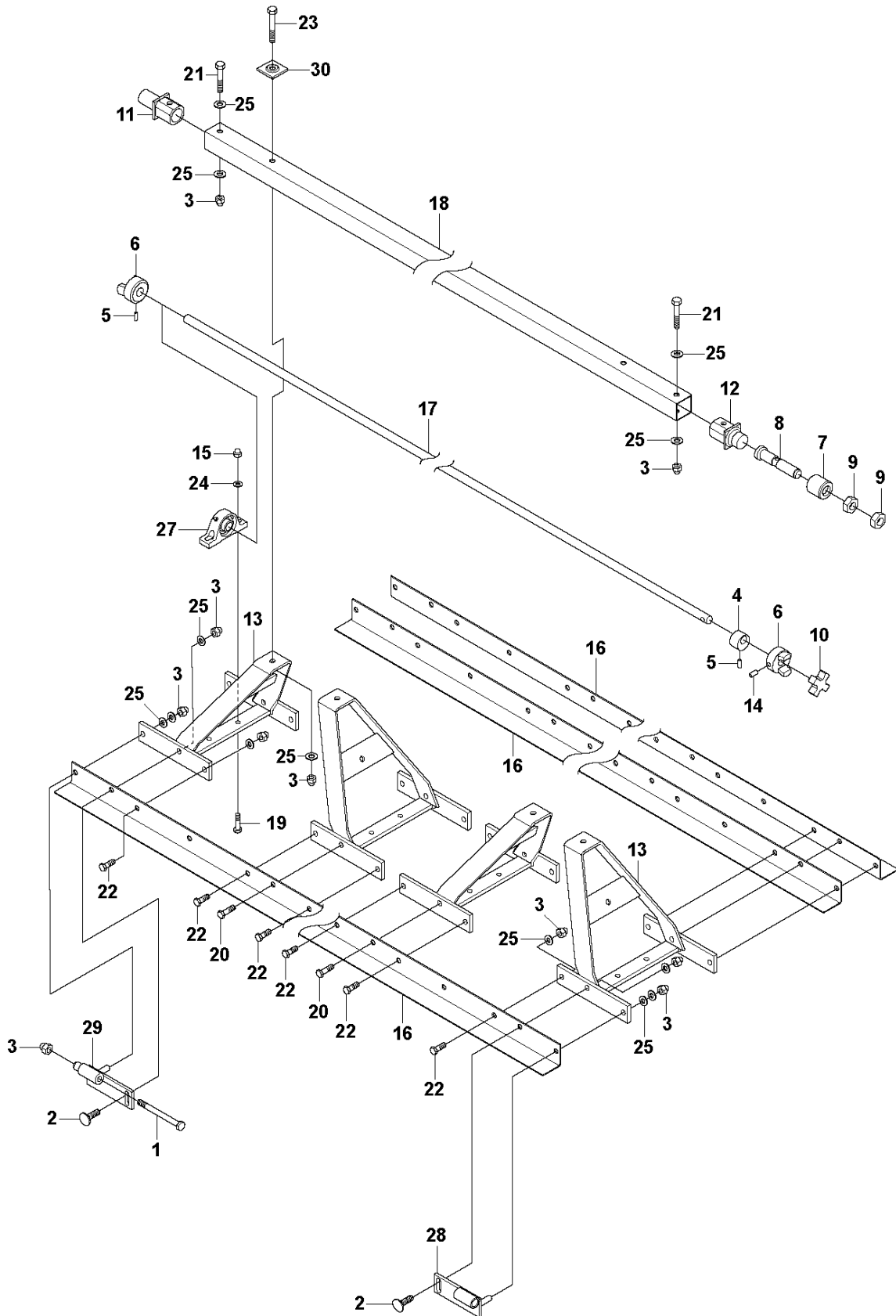
**J** BT 90  
SCREED SECTIONS 2M - ELECTRIC / PETROL



SCREED SECTIONS 2M - ELECTRIC / PETROL BT 90, 967941102, 967941103, 967941108,  
967941104, 967941116, 967941105, 967941106, 967941107, 967941109, 967941110, 967941111,

Ref	Part No	Description	Remark	QTY KIT
1	594 28 58-01	SCREW	M12x130 ISO4014 8.8 A3K	2
2	594 79 28-01	SCREW	M12x45 DIN 603 8.8 A3K	4
3	594 28 76-01	NUT	M12 DIN986 FZB	32
4	594 38 05-01	EXCENTER		8
5	594 38 06-01	SCREW	M8x20 ISO4029 45H	8
6	594 39 19-01	COUPLING		2
7	594 39 20-01	SLEEVE		1
8	594 39 21-01	SCREW		1
9	594 39 22-01	NUT	M24x2 DIN 439B	2
10	594 39 23-01	CROSSBAR		1
11	594 39 24-01	HOLDER		1
12	594 39 25-01	HOLDER		1
14	594 39 27-01	SCREW	M10x20 ISO4029 45H	2
15	594 39 28-01	NUT	M10 DIN986 FZB	8
16	594 39 29-01	BAR		3
17	594 39 30-01	SHAFT		1
19	595 05 46-01	SCREW	M10x40 ISO4014 8.8 A3K	8
20	595 11 03-01	SCREW	M12x35 ISO4017 8.8 A3K	4
21	595 88 76-01	SCREW	M12x70 ISO4014 8.8 A3K	2
22	594 11 90-01	BOLT	M12x30 ISO4017 8.8 A3K	12
23	595 34 55-01	SCREW	M12x80 ISO4014 8.8 A3K	4
24	595 11 33-01	WASHER	M10 ISO7089 200HV A2K	8
25	595 11 34-01	WASHER	M12 ISO7089 200HV A2K	34
27	594 68 10-01	BEARING	UCP204	4
28	594 68 90-01	PLATE		2
29	594 68 91-01	PLATE		2
30	594 69 19-01	WASHER		4

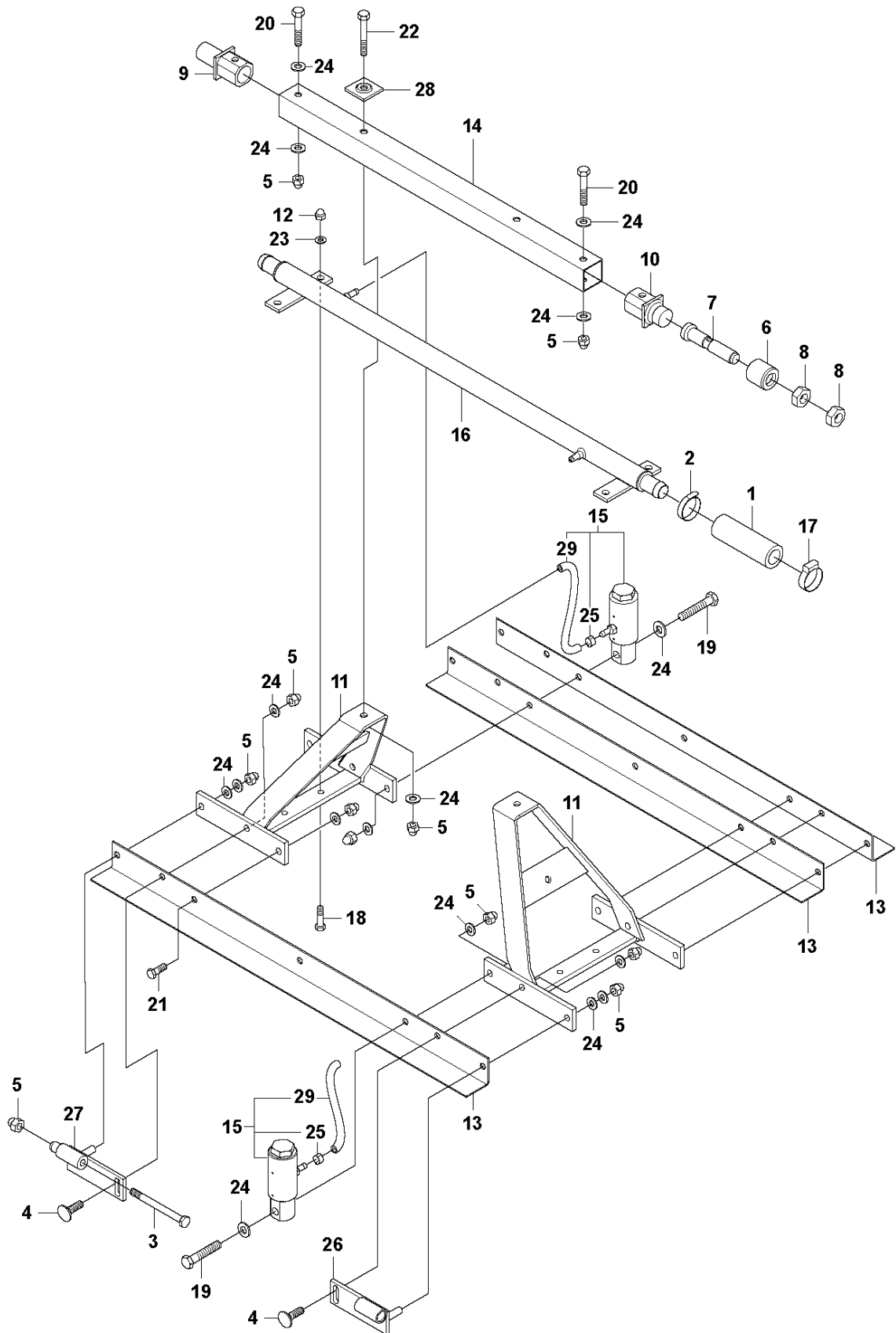
**K** BT 90  
SCREED SECTIONS 3M - ELECTRIC / PETROL



SCREED SECTIONS 3M - ELECTRIC / PETROL BT 90, 967941102, 967941103, 967941108,  
 967941104, 967941116, 967941105, 967941106, 967941107, 967941109, 967941110, 967941111,

Ref	Part No	Description	Remark	QTY KIT
1	594 28 58-01	SCREW	M12x130 ISO4014 8.8 A3K	2
2	594 79 28-01	SCREW	M12x45 DIN 603 8.8 A3K	4
3	594 28 76-01	NUT	M12 DIN986 FZB	46
4	594 38 05-01	EXCENTER		12
5	594 38 06-01	SCREW	M8x20 ISO4029 45H	12
6	594 39 19-01	COUPLING		2
7	594 39 20-01	SLEEVE		1
8	594 39 21-01	SCREW		1
9	594 39 22-01	NUT	M24x2 DIN 439B	2
10	594 39 23-01	CROSSBAR		1
11	594 39 24-01	HOLDER		1
12	594 39 25-01	HOLDER		1
14	594 39 27-01	SCREW	M10x20 ISO4029 45H	2
15	594 39 28-01	NUT	M10 DIN986 FZB	12
16	594 39 31-01	BAR		3
17	594 39 32-01	SHAFT		1
18	595 19 74-01	TUBE		1
19	595 05 46-01	SCREW	M10x40 ISO4014 8.8 A3K	12
20	595 11 03-01	SCREW	M12x35 ISO4017 8.8 A3K	8
21	595 88 76-01	SCREW	M12x70 ISO4014 8.8 A3K	2
22	594 11 90-01	BOLT	M12x30 ISO4017 8.8 A3K	20
23	595 34 55-01	SCREW	M12x80 ISO4014 8.8 A3K	6
24	595 11 33-01	WASHER	M10 ISO7089 200HV A2K	12
25	595 11 34-01	WASHER	M12 ISO7089 200HV A2K	48
27	594 68 10-01	BEARING	UCP204	6
28	594 68 90-01	PLATE		2
29	594 68 91-01	PLATE		2
30	594 69 19-01	WASHER		6

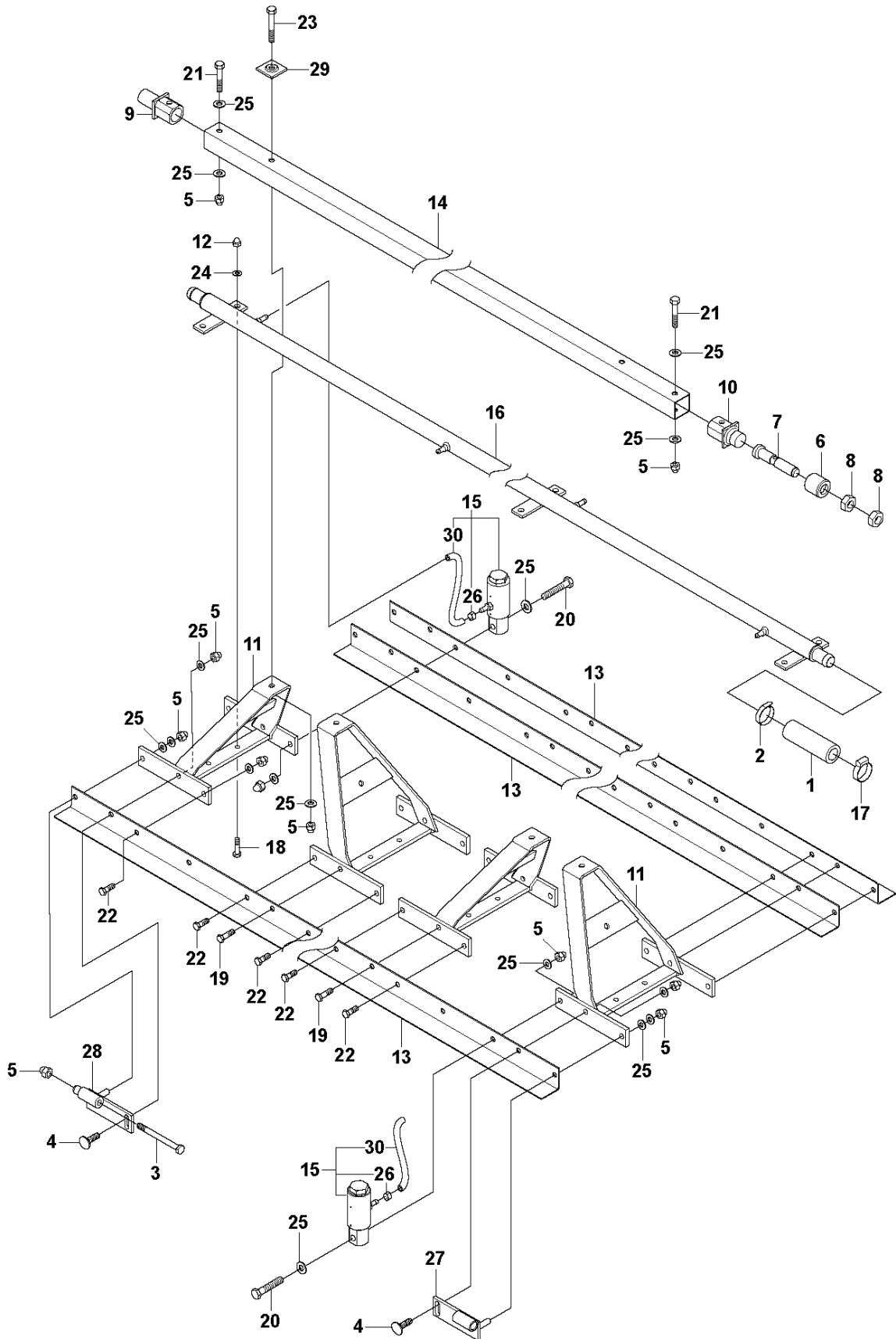
**L** BT 90  
SCREED SECTIONS 1M - PNEUMATIC



SCREED SECTIONS 1M - PNEUMATIC BT 90, 967941102, 967941103, 967941108, 967941104, 967941116, 967941105, 967941106, 967941107, 967941109, 967941110, 967941111, 2019-09

Ref	Part No	Description	Remark	QTY	KIT
1	594 38 84-02	HOSE		1	
2	594 28 54-01	CLAMP		1	
3	594 28 58-01	SCREW	M12x130 ISO4014 8.8 A3K	2	
4	594 79 28-01	SCREW	M12x45 DIN 603 8.8 A3K	4	
5	594 28 76-01	NUT	M12 DIN986 FZB	18	
6	594 39 20-01	SLEEVE		1	
7	594 39 21-01	SCREW		1	
8	594 39 22-01	NUT	M24x2 DIN 439B	2	
9	594 39 24-01	HOLDER		1	
10	594 39 25-01	HOLDER		1	
12	594 39 28-01	NUT	M10 DIN986 FZB	4	
13	594 39 17-01	BAR		3	
14	598 20 05-01	TUBE		1	
15	594 39 33-01	DAMPER		2	
16	594 39 34-01	TUBE		1	
17	594 81 78-01	CLAMP		1	
18	594 11 85-01	BOLT	M10x30 ISO4017 8.8 A3K	4	
20	595 88 76-01	SCREW	M12x70 ISO4014 8.8 A3K	2	
21	594 11 90-01	BOLT	M12x30 ISO4017 8.8 A3K	2	
22	595 34 55-01	SCREW	M12x80 ISO4014 8.8 A3K	2	
23	595 11 33-01	WASHER	M10 ISO7089 200HV A2K	4	
24	595 11 34-01	WASHER	M12 ISO7089 200HV A2K	22	
26	594 68 90-01	PLATE		2	
27	594 68 91-01	PLATE		2	
28	594 69 19-01	WASHER		2	
29	594 25 48-05	HOSE		2	15

**M** BT 90  
SCREED SECTIONS 2M - PNEUMATIC

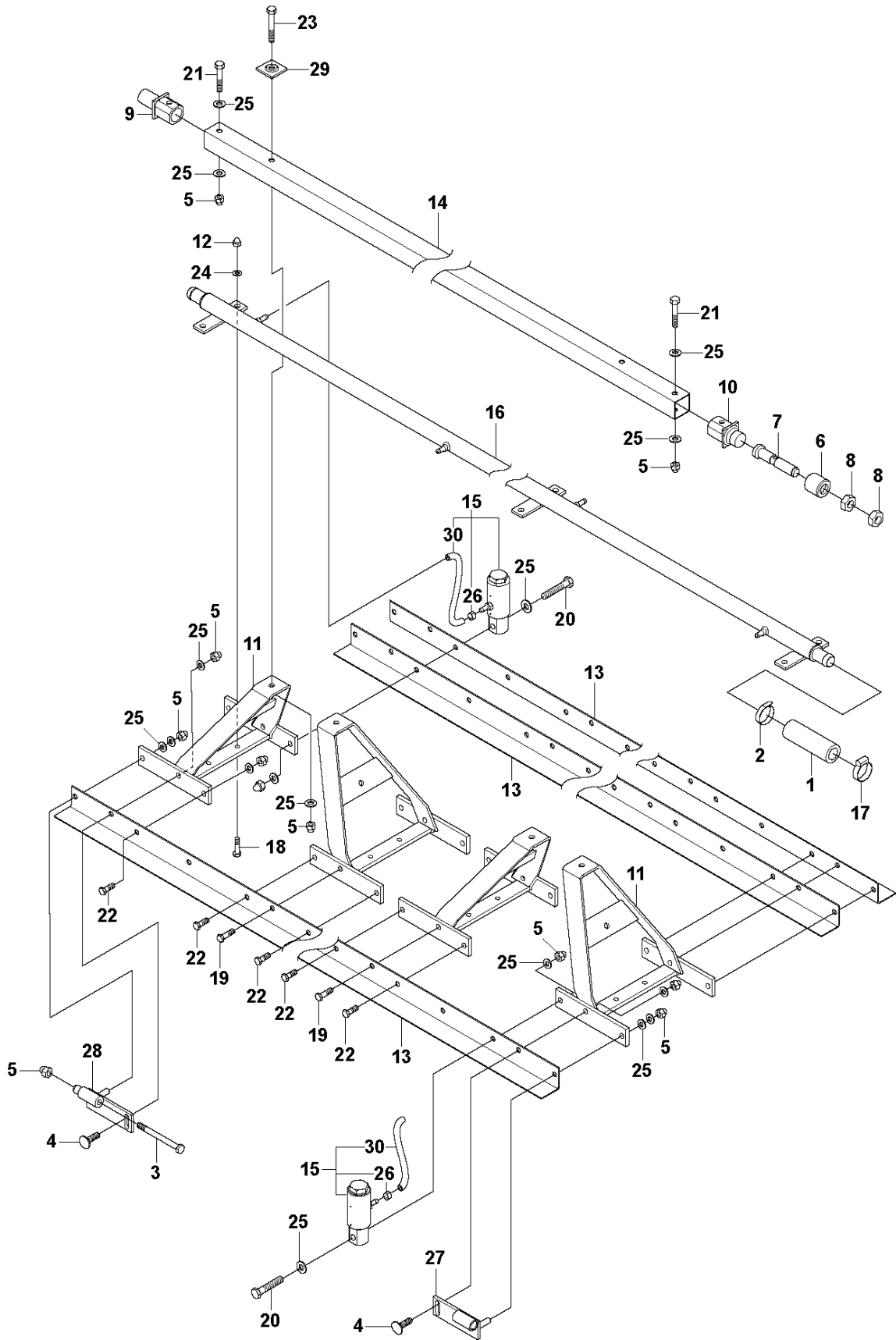




SCREED SECTIONS 2M - PNEUMATIC BT 90, 967941102, 967941103, 967941108, 967941104,  
967941116, 967941105, 967941106, 967941107, 967941109, 967941110, 967941111, 2019-09

Ref	Part No	Description	Remark	QTY	KIT
1	594 38 84-02	HOSE		1	
2	594 28 54-01	CLAMP		1	
3	594 28 58-01	SCREW	M12x130 ISO4014 8.8 A3K	2	
4	594 79 28-01	SCREW	M12x45 DIN 603 8.8 A3K	4	
5	594 28 76-01	NUT	M12 DIN986 FZB	32	
6	594 39 20-01	SLEEVE		1	
7	594 39 21-01	SCREW		1	
8	594 39 22-01	NUT	M24x2 DIN 439B	2	
9	594 39 24-01	HOLDER		1	
10	594 39 25-01	HOLDER		1	
12	594 39 28-01	NUT	M10 DIN986 FZB	6	
13	594 39 29-01	BAR		3	
15	594 39 33-01	DAMPER		4	
16	595 46 05-01	TUBE		1	
17	594 81 78-01	CLAMP		1	
18	594 11 85-01	BOLT	M10x30 ISO4017 8.8 A3K	6	
19	595 11 03-01	SCREW	M12x35 ISO4017 8.8 A3K	4	
21	595 88 76-01	SCREW	M12x70 ISO4014 8.8 A3K	2	
22	594 11 90-01	BOLT	M12x30 ISO4017 8.8 A3K	8	
23	595 34 55-01	SCREW	M12x80 ISO4014 8.8 A3K	4	
24	595 11 33-01	WASHER	M10 ISO7089 200HV A2K	6	
25	595 11 34-01	WASHER	M12 ISO7089 200HV A2K	38	
27	594 68 90-01	PLATE		2	
28	594 68 91-01	PLATE		2	
29	594 69 19-01	WASHER		4	
30	594 25 48-05	HOSE		4	15

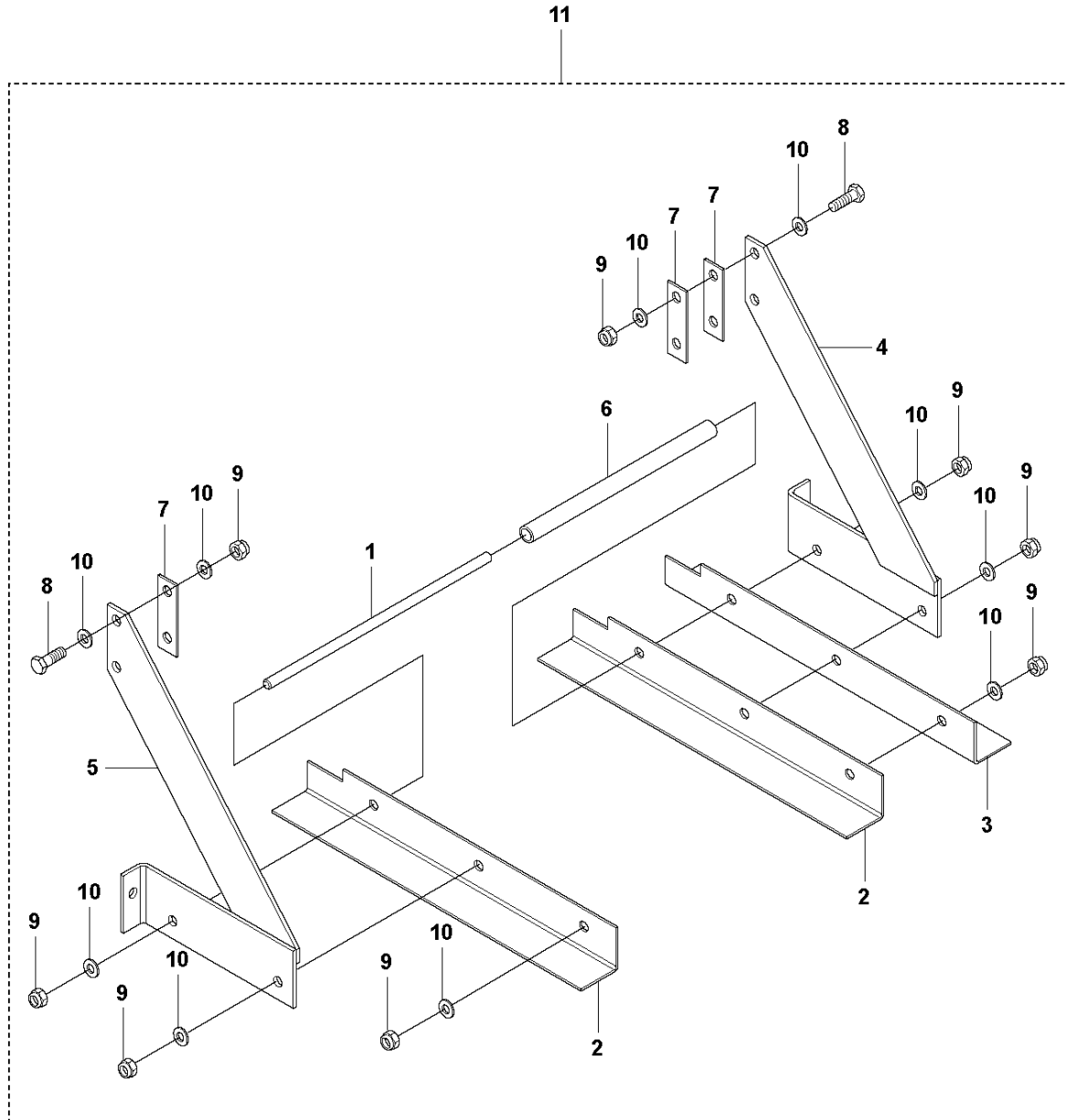
**N** BT 90  
SCREED SECTIONS 3M - PNEUMATIC



SCREED SECTIONS 3M - PNEUMATIC BT 90, 967941102, 967941103, 967941108, 967941104, 967941116, 967941105, 967941106, 967941107, 967941109, 967941110, 967941111, 2019-09

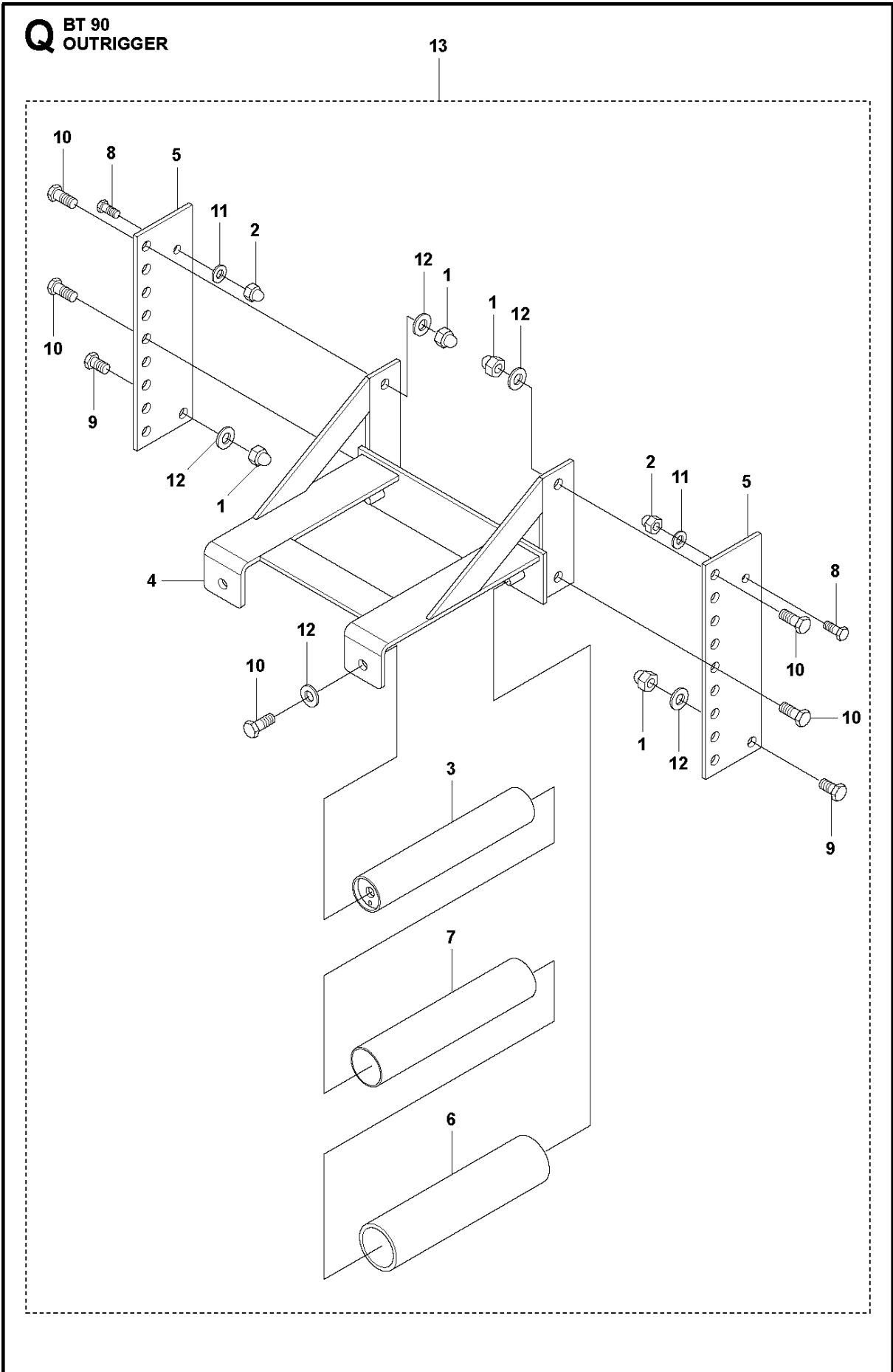
Ref	Part No	Description	Remark	QTY	KIT
1	594 38 84-02	HOSE		1	
2	594 28 54-01	CLAMP		1	
3	594 28 58-01	SCREW	M12x130 ISO4014 8.8 A3K	2	
4	594 79 28-01	SCREW	M12x45 DIN 603 8.8 A3K	4	
5	594 28 76-01	NUT	M12 DIN986 FZB	46	
6	594 39 20-01	SLEEVE		1	
7	594 39 21-01	SCREW		1	
8	594 39 22-01	NUT	M24x2 DIN 439B	2	
9	594 39 24-01	HOLDER		1	
10	594 39 25-01	HOLDER		1	
12	594 39 28-01	NUT	M10 DIN986 FZB	8	
13	594 39 31-01	BAR		3	
14	595 19 74-01	TUBE		1	
15	594 39 33-01	DAMPER		6	
16	595 46 06-01	TUBE		1	
17	594 81 78-01	CLAMP		1	
18	594 11 85-01	BOLT	M10x30 ISO4017 8.8 A3K	8	
19	595 11 03-01	SCREW	M12x35 ISO4017 8.8 A3K	8	
21	595 88 76-01	SCREW	M12x70 ISO4014 8.8 A3K	2	
22	594 11 90-01	BOLT	M12x30 ISO4017 8.8 A3K	22	
23	595 34 55-01	SCREW	M12x80 ISO4014 8.8 A3K	6	
24	595 11 33-01	WASHER	M10 ISO7089 200HV A2K	8	
25	595 11 34-01	WASHER	M12 ISO7089 200HV A2K	55	
27	594 68 90-01	PLATE		2	
28	594 68 91-01	PLATE		2	
29	594 69 19-01	WASHER		6	
30	594 25 48-05	HOSE		6	15

**P** BT 90  
EXTENSION



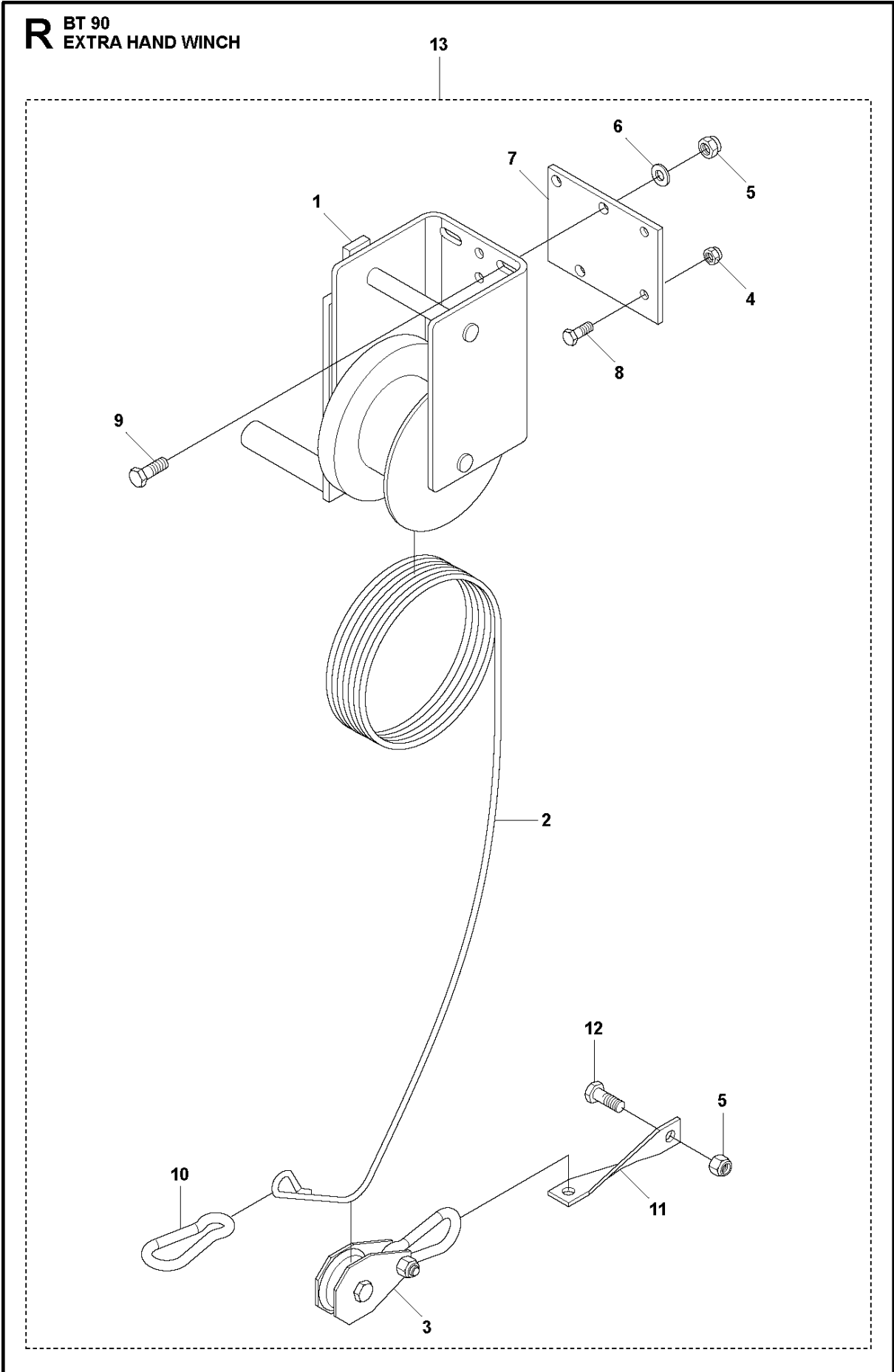
EXTENSION BT 90, 967941102, 967941103, 967941108, 967941104, 967941116, 967941105,  
967941106, 967941107, 967941109, 967941110, 967941111, 2019-09

Ref	Part No	Description	Remark	QTY KIT	
1	595 45 75-01	BOLT	M12x360	3	11
2	595 16 60-01	BAR		2	11
3	595 16 61-01	BAR		1	11
4	598 20 07-01	HOLDER		1	11
5	598 20 08-01	HOLDER		1	11
6	595 16 62-01	TUBE		3	11
7	595 16 63-01	SPACER		3	11
8	595 11 03-01	SCREW	M12x35 ISO4017 8.8 A3K	4	11
9	595 11 27-01	NUT	M12 ISO7040 8 A3K	10	11
10	595 11 34-01	WASHER	M12 ISO7089 200HV A2K	14	11
11	594 86 05-02	EXTENSION	0.5 m extension	1	



OUTRIGGER BT 90, 967941102, 967941103, 967941108, 967941104, 967941116, 967941105,  
 967941106, 967941107, 967941109, 967941110, 967941111, 2019-09

Ref	Part No	Description	Remark	QTY	KIT
1	594 28 76-01	NUT	M12 DIN986 FZB	6	13
2	594 39 28-01	NUT	M10 DIN986 FZB	2	13
3	595 16 64-01	DRUM		2	13
4	598 20 09-01	HOLDER		1	13
5	595 19 78-01	HOLDER		2	13
6	595 16 65-01	HOSE	245 mm , 9.25 in.	2	13
7	595 16 23-01	TUBE		2	13
8	595 07 11-01	SCREW	M10x25 ISO4017 8.8 A3K	2	13
9	595 34 53-01	SCREW	M12x25 ISO4017 8.8 A3K	2	13
10	594 11 90-01	BOLT	M12x30 ISO4017 8.8 A3K	8	13
11	595 11 33-01	WASHER	M10 ISO7089 200HV A2K	2	13
12	595 11 34-01	WASHER	M12 ISO7089 200HV A2K	10	13
13	594 86 06-02	OUTRIGGER	Outrigger	1	

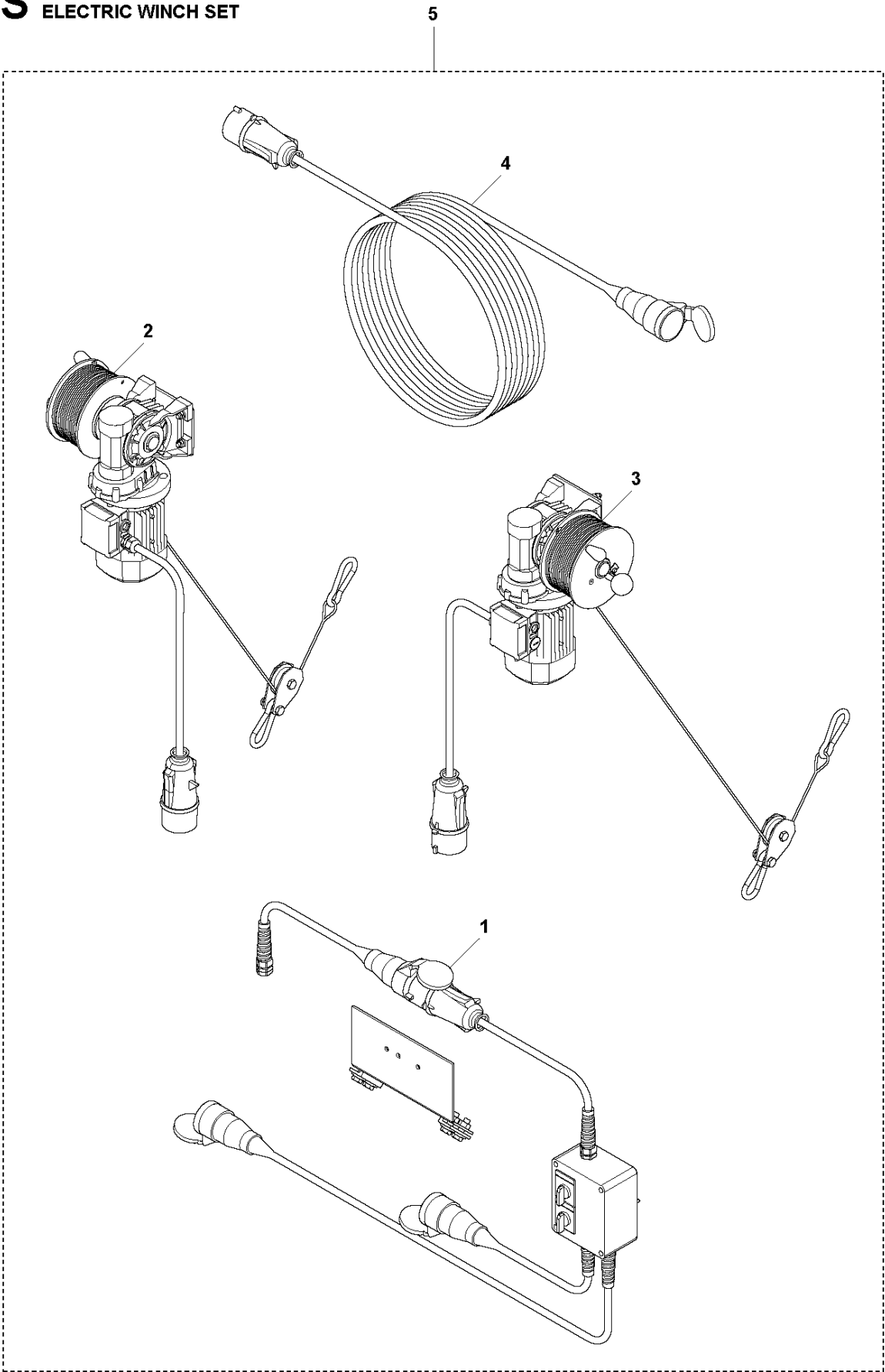




EXTRA HAND WINCH BT 90, 967941102, 967941103, 967941108, 967941104, 967941116,  
 967941105, 967941106, 967941107, 967941109, 967941110, 967941111, 2019-09

Ref	Part No	Description	Remark	QTY	KIT
1	594 39 35-01	AXLE		1	13
2	594 39 48-01	CABLE	30 m	1	13
3	594 69 65-01	SHACKLE		2	13
4	595 35 23-01	NUT	M8 ISO7040 8 A2K	2	13
5	594 12 31-01	LOCK NUT	M10 ISO7040 8 A2K s16	4	13
6	595 11 33-01	WASHER	M10 ISO7089 200HV A2K	3	13
7	595 44 33-01	HOLDER		1	13
8	595 03 34-01	SCREW	M8x25 ISO4017 8.8 A2K	2	13
9	595 07 11-01	SCREW	M10x25 ISO4017 8.8 A3K	3	13
10	594 49 80-01	HOOK		1	13
11	595 44 44-01	HOLDER		1	13
12	594 11 85-01	BOLT	M10x30 ISO4017 8.8 A3K	1	13
13	596 86 44-01	WINCH	Extra hand winch	1	

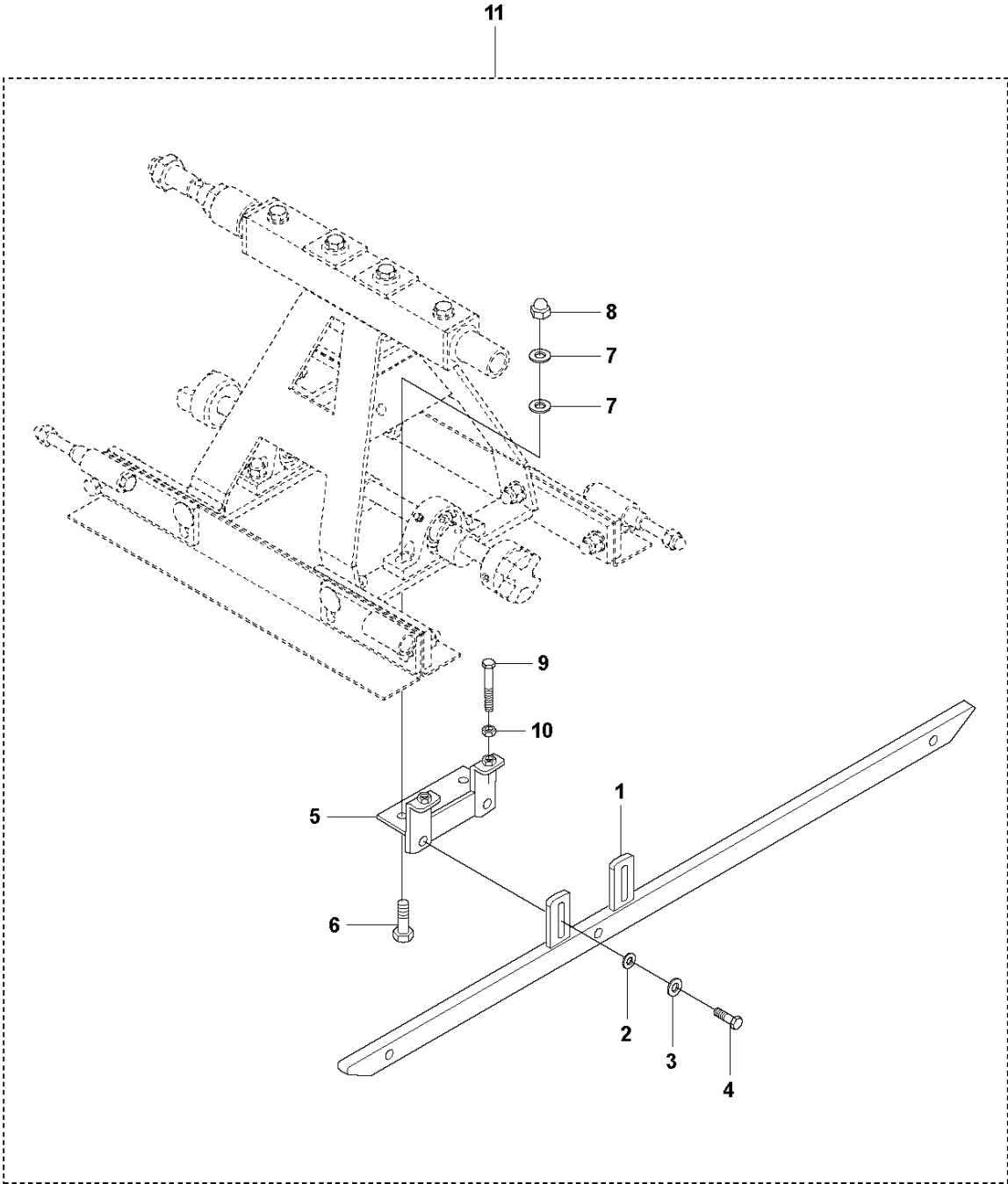
**S** BT 90  
ELECTRIC WINCH SET



ELECTRIC WINCH SET BT 90, 967941102, 967941103, 967941108, 967941104, 967941116,  
 967941105, 967941106, 967941107, 967941109, 967941110, 967941111, 2019-09

Ref	Part No	Description	Remark	QTY	KIT
1	595 47 79-01	BOX		1	5
2	595 52 55-01	CABLE		1	5
3	595 52 56-01	CABLE		1	5
4	594 24 77-01	CABLE		1	5
5	594 71 09-01	WINCH	Electric winches set	1	

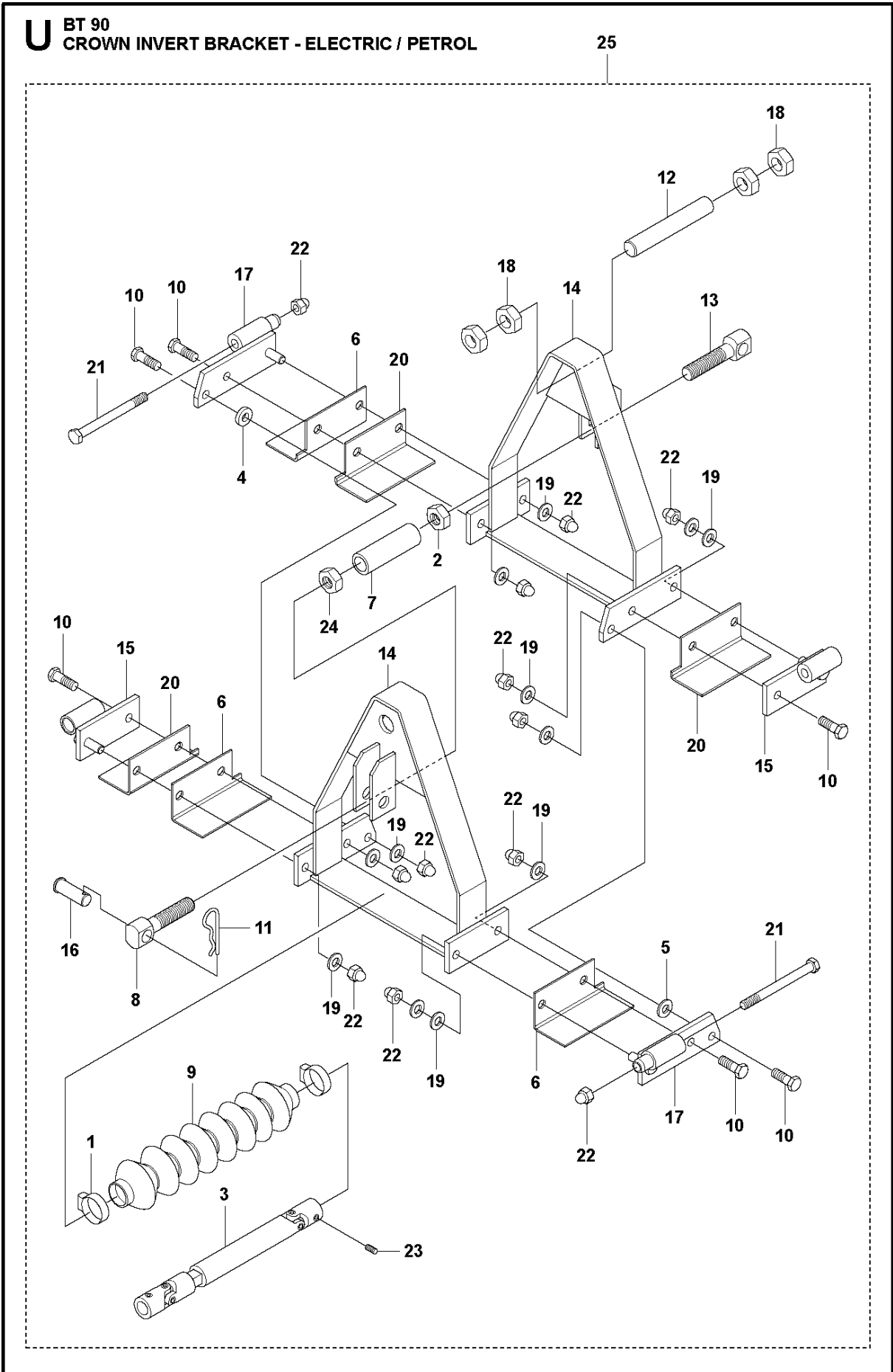
**T** BT 90  
SKATE



SKATE BT 90, 967941102, 967941103, 967941108, 967941104, 967941116, 967941105, 967941106, 967941107, 967941109, 967941110, 967941111, 2019-09

Ref	Part No	Description	Remark	QTY	KIT
1	595 49 92-01	BLADE		1	11
2	595 03 66-01	WASHER	M8 ISO7089 200HV A2K	2	11
3	595 11 36-01	WASHER	M8 DIN6796 FZB	2	11
4	595 34 43-01	SCREW	M8x30 ISO4017 8.8 A3K	2	11
5	595 49 91-01	HOLDER		1	11
6	595 05 46-01	SCREW	M10x40 ISO4014 8.8 A3K	2	11
7	595 11 33-01	WASHER	M10 ISO7089 200HV A2K	2	11
8	594 39 28-01	NUT	M10 DIN986 FZB	2	11
9	594 11 81-01	SCREW	M8x60 ISO4014 8.8 A3K	2	11
10	595 03 57-01	NUT	M8 DIN934 8 FZB	2	11
11	595 49 91-03	SKATE	Skate, complete	1	

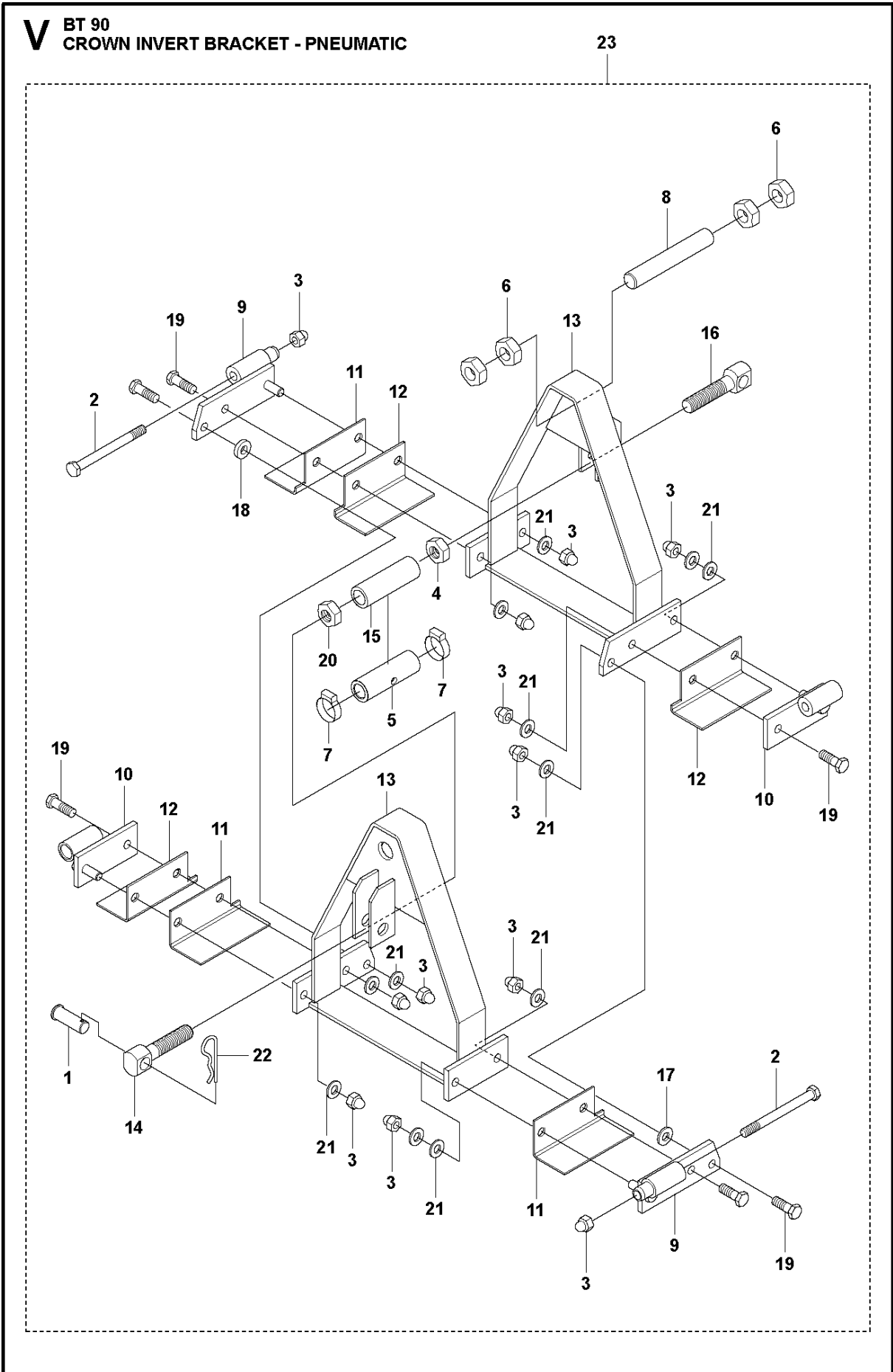
**U** BT 90  
CROWN INVERT BRACKET - ELECTRIC / PETROL



CROWN INVERT BRACKET - ELECTRIC / PETROL BT 90, 967941102, 967941103, 967941108, 967941104, 967941116, 967941105, 967941106, 967941107, 967941109, 967941110, 967941111,

Ref	Part No	Description	Remark	QTY	KIT
1	594 81 78-01	CLAMP		2	25
2	595 51 25-01	NUT	M20L DIN 934 8 FZB Left hand thread	1	25
3	595 52 61-01	JOINT		1	25
4	595 16 58-01	WASHER	12.4x26x6	1	25
5	595 16 59-01	WASHER	12.4x26x3	1	25
6	595 16 54-01	BAR		3	25
7	595 16 57-01	NUT		1	25
8	595 52 24-01	SHAFT		1	25
9	595 20 23-01	BELLOWS		1	25
10	595 11 03-01	SCREW	M12x35 ISO4017 8.8 A3K	6	25
11	595 46 71-01	LOCKING PIN	3.5x90	2	25
12	595 16 40-01	SCREW		1	25
13	595 16 56-01	SCREW	Left hand thread	1	25
14	595 19 79-01	HOLDER		2	25
15	595 16 53-01	GUIDE		2	25
16	595 15 37-01	AXLE		2	25
17	595 16 52-01	GUIDE		2	25
18	594 39 22-01	NUT	M24x2 DIN439B	4	25
19	595 11 34-01	WASHER	M12 ISO7089 200HV A2K	12	25
20	595 16 55-01	BAR		3	25
21	594 28 58-01	SCREW	M12x130 ISO4014 8.8 A3K	2	25
22	594 28 76-01	NUT	M12 DIN986 FZB	12	25
23	595 34 70-01	SCREW	M10x10 ISO4029 45H	2	25
24	598 51 39-01	HEXAGON NUT	M20 ISO4032 8 A3K	1	25
25	598 20 29-01	BRACKET	Crown invert bracket for electric and gasoline sections	1	

**V** BT 90  
CROWN INVERT BRACKET - PNEUMATIC

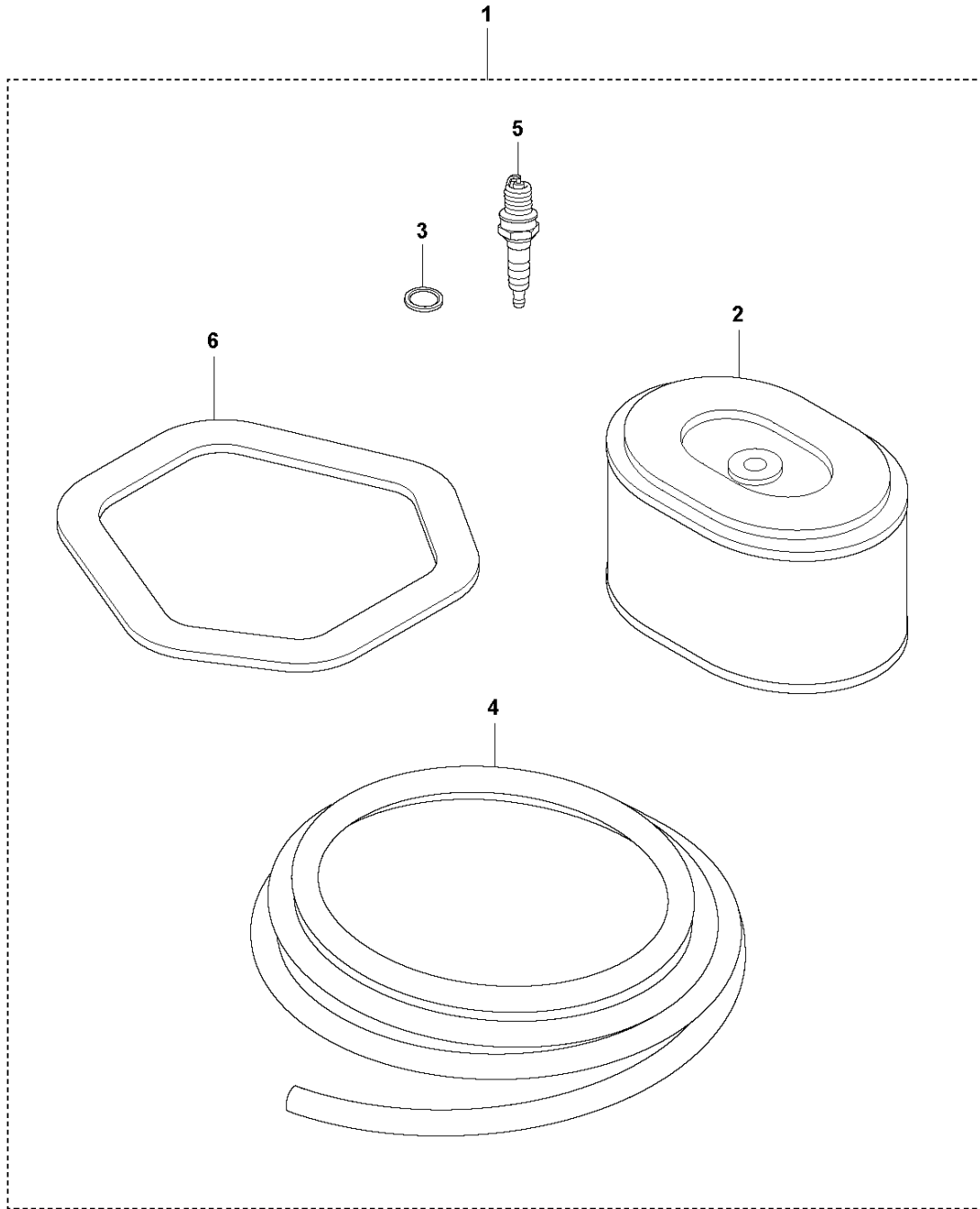




CROWN INVERT BRACKET - PNEUMATIC BT 90, 967941102, 967941103, 967941108, 967941104, 967941116, 967941105, 967941106, 967941107, 967941109, 967941110, 967941111, 2019-09

Ref	Part No	Description	Remark	QTY	KIT
1	595 15 37-01	AXLE		2	23
2	594 28 58-01	SCREW	M12x130 ISO4014 8.8 A3K	2	23
3	594 28 76-01	NUT	M12 DIN986 FZB	12	23
4	595 51 25-01	NUT	M20L DIN 934 8 FZB Left hand thread	1	23
5	594 38 84-03	HOSE		1	23
6	594 39 22-01	NUT	M24x2 DIN439B	4	23
7	594 81 78-01	CLAMP		2	23
8	595 16 40-01	SCREW		1	23
9	595 16 52-01	GUIDE		2	23
10	595 16 53-01	GUIDE		2	23
11	595 16 54-01	BAR		3	23
12	595 16 55-01	BAR		3	23
13	595 19 79-01	HOLDER		2	23
14	595 52 24-01	SHAFT		1	23
15	595 16 57-01	NUT		1	23
16	595 16 56-01	SCREW	Left hand thread	1	23
17	595 16 59-01	WASHER	12.4x26x3	1	23
18	595 16 58-01	WASHER	12.4x26x6	1	23
19	595 11 03-01	SCREW	M12x35 ISO4017 8.8 A3K	6	23
20	598 51 39-01	HEXAGON NUT	M20 ISO4032 8 A3K	1	23
21	595 11 34-01	WASHER	M12 ISO7089 200HV A2K	12	23
22	595 46 71-01	LOCKING PIN	3.5x90	2	23
23	594 86 07-01	BRACKET	Crown invert bracket for pneumatic sections	1	

**W** BT 90  
SERVICE KIT - HONDA GX 270

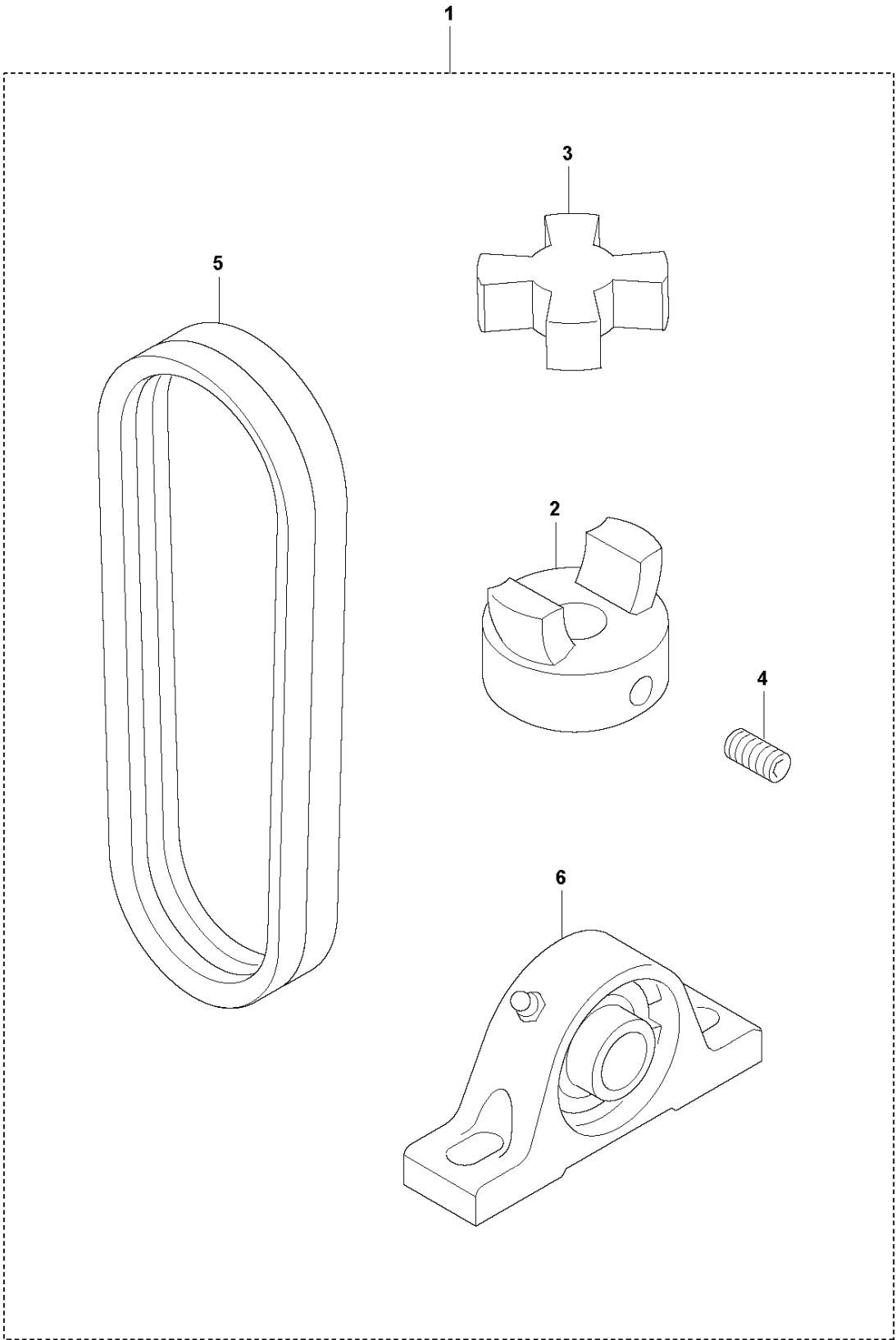


SERVICE KIT - HONDA BT 90, 967941102, 967941103, 967941108, 967941104, 967941116,  
967941105, 967941106, 967941107, 967941109, 967941110, 967941111, 2019-09

Ref	Part No	Description	Remark	QTY KIT	
1	594 20 04-01	SERVICE KIT		1	
2	594 57 51-01	AIR FILTER		1	1
3	595 04 89-01	GASKET		1	1
4	595 04 91-01	ROPE		1	1
5	594 54 43-01	SPARK PLUG		1	1
6	594 76 03-01	GASKET		1	1

DRIVE UNIT SERVICE KIT - ELECTRIC / GASOLINE BT 90, 967941102, 967941103, 967941108, 967941104, 967941116, 967941105, 967941106, 967941107, 967941109, 967941110, 967941111, 2019-09

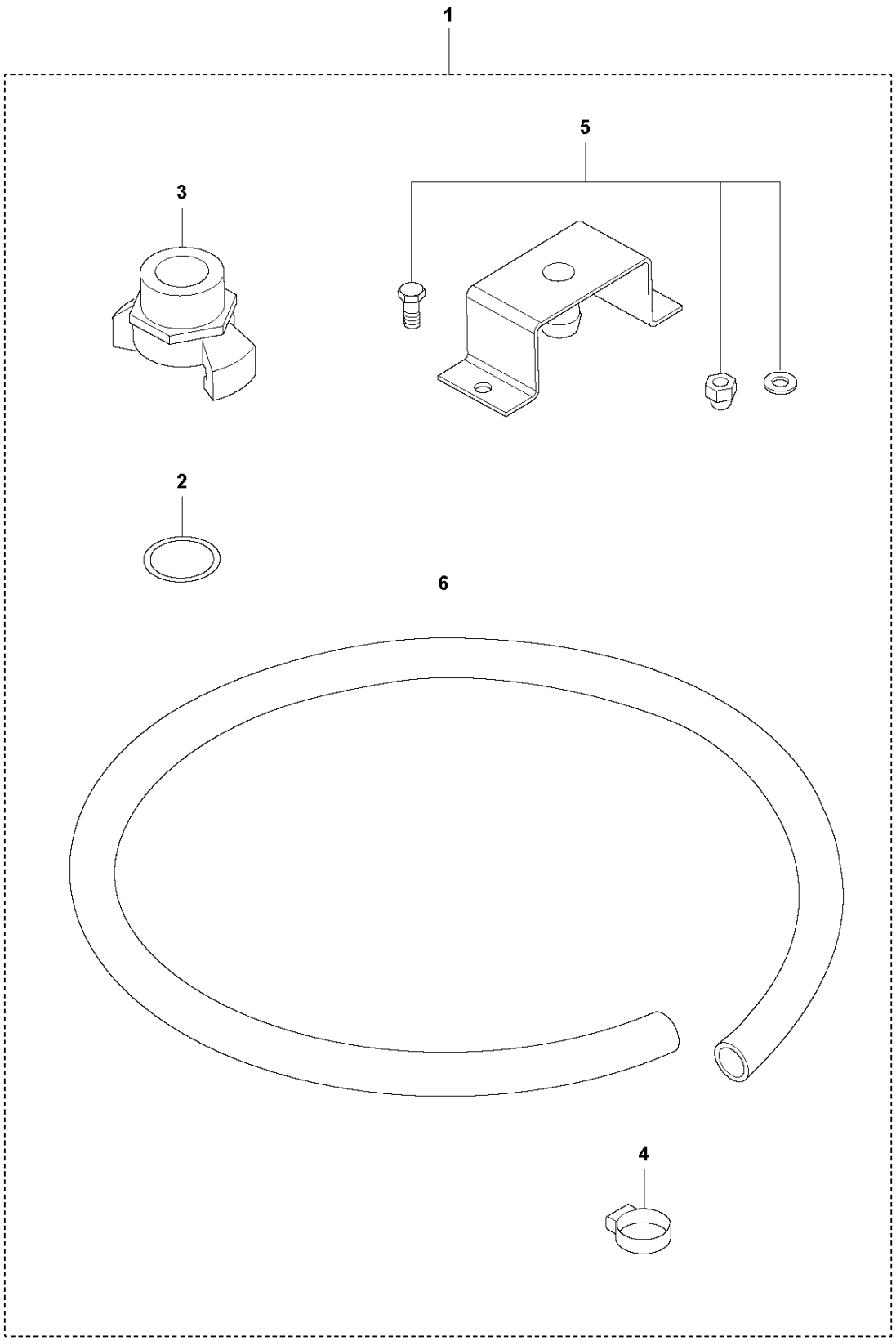
**X BT 90**  
**DRIVE UNIT SERVICE KIT - ELECTRIC / GASOLINE**



DRIVE UNIT SERVICE KIT - ELECTRIC / GASOLINE BT 90, 967941102, 967941103, 967941108, 967941104, 967941116, 967941105, 967941106, 967941107, 967941109, 967941110, 967941111,

Ref	Part No	Description	Remark	QTY KIT	
1	594 39 46-01	SERVICE KIT		1	
2	594 39 19-01	COUPLING		1	1
3	594 39 23-01	CROSSBAR		4	1
4	594 39 27-01	SCREW	M10x20 ISO4029 45H	1	1
5	594 39 40-01	V-BELT		4	1
6	594 68 10-01	BEARING	UCP204	2	1

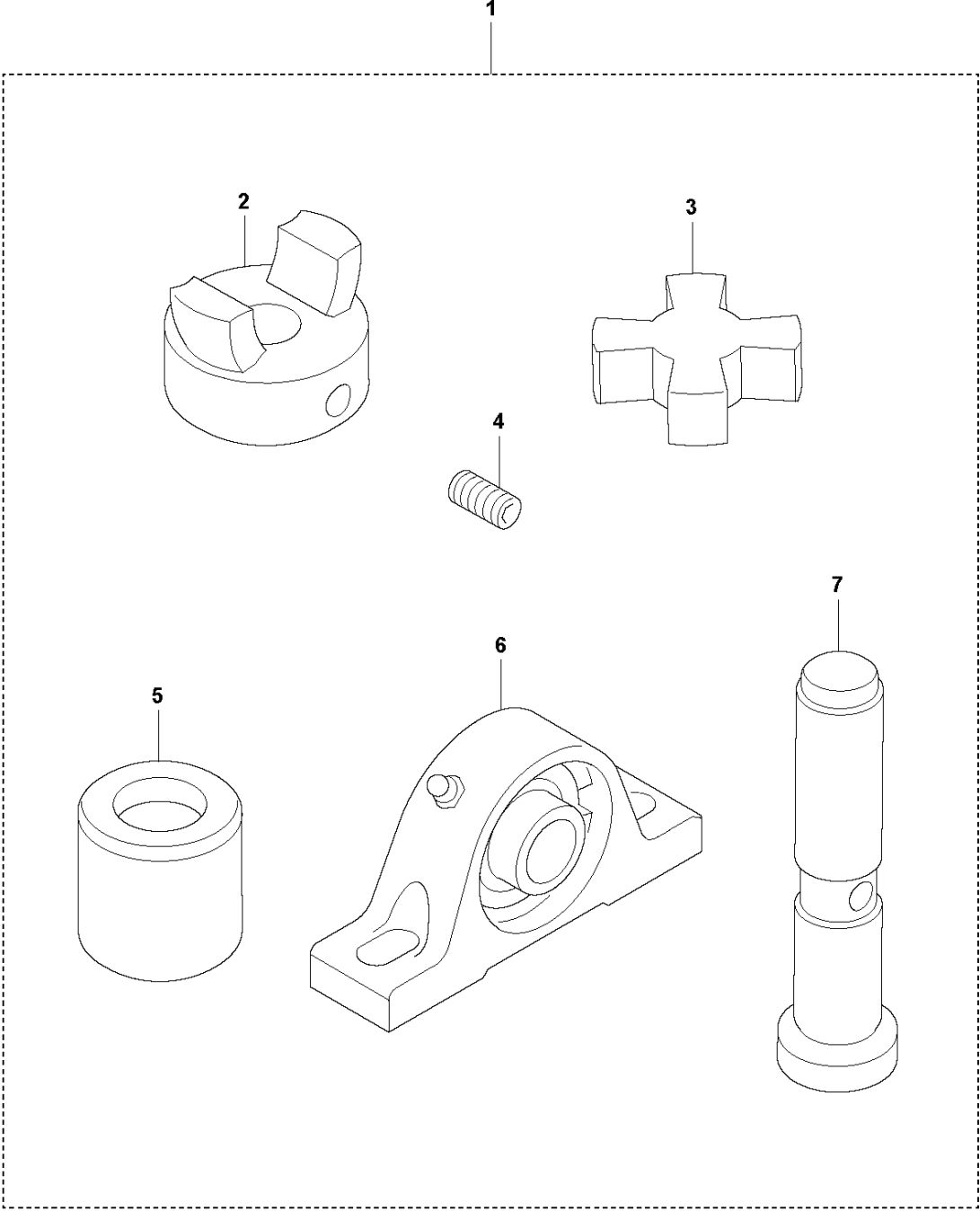
**Y** BT 90  
DRIVE UNIT SERVICE KIT - PNEUMATIC



DRIVE UNIT SERVICE KIT - PNEUMATIC BT 90, 967941102, 967941103, 967941108, 967941104, 967941116, 967941105, 967941106, 967941107, 967941109, 967941110, 967941111, 2019-09

Ref	Part No	Description	Remark	QTY KIT	
1	594 81 79-01	SERVICE KIT		1	
2	594 25 37-01	FILTER		2	1
3	594 25 53-01	COUPLING		1	1
4	594 81 78-01	CLAMP		2	1
5	595 16 66-01	PLUG		1	1
6	594 38 84-07	HOSE		1	1

**Z** BT 90  
SECTIONS KIT - ELECTRIC / GASOLINE

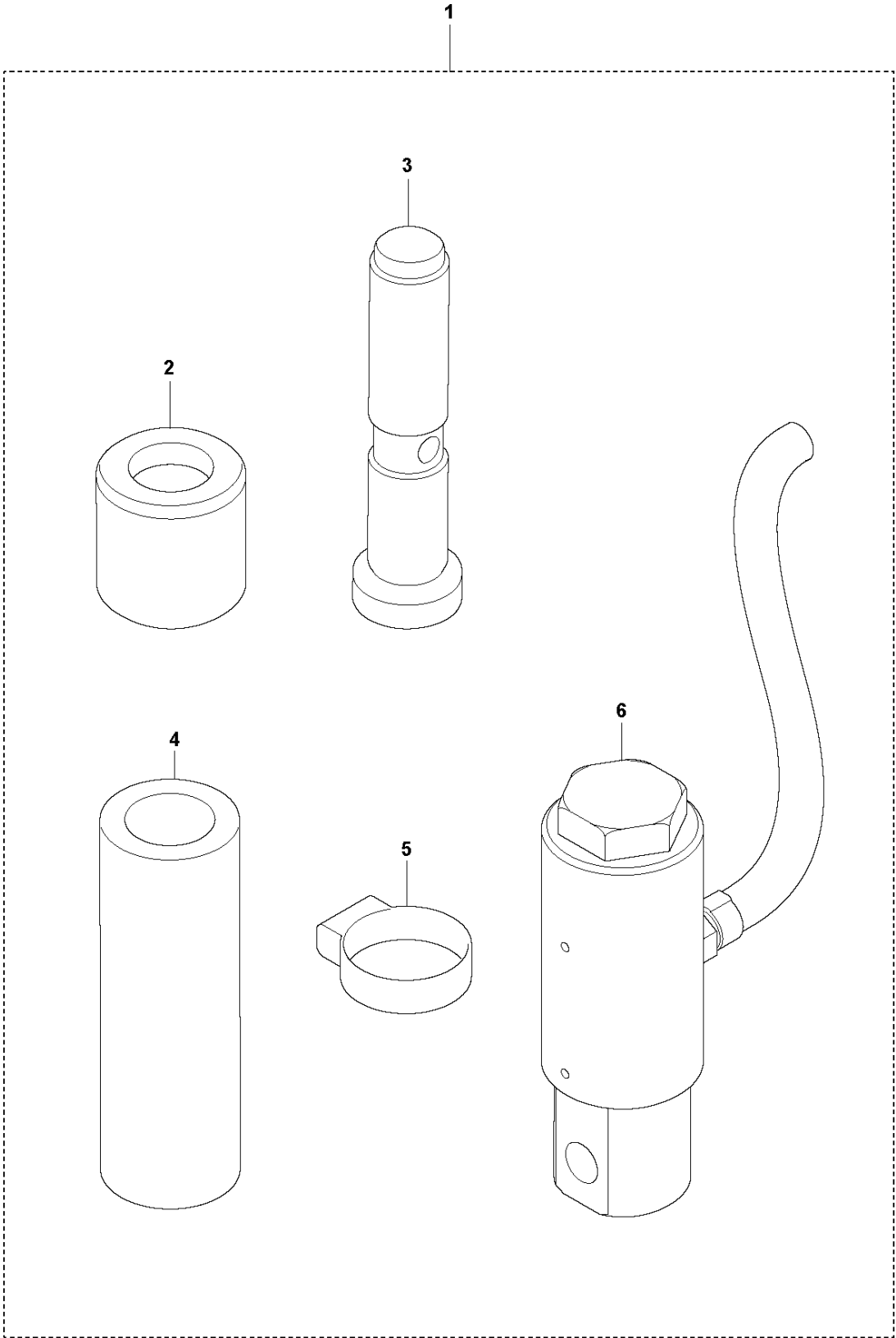




SECTIONS KIT - ELECTRIC / GASOLINE BT 90, 967941102, 967941103, 967941108, 967941104, 967941116, 967941105, 967941106, 967941107, 967941109, 967941110, 967941111, 2019-09

Ref	Part No	Description	Remark	QTY KIT	
1	595 16 50-01	BEAM		1	
2	594 39 19-01	COUPLING		1	1
3	594 39 23-01	CROSSBAR		4	1
4	594 39 27-01	SCREW	M10x20 ISO4029 45H	1	1
5	594 39 20-01	SLEEVE		1	1
6	594 68 10-01	BEARING	UCP204	2	1
7	594 39 21-01	SCREW		1	1

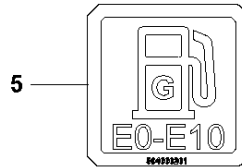
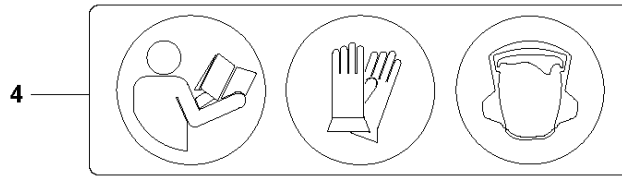
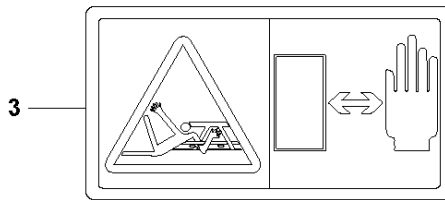
**AA** BT 90  
SECTIONS KIT - PNEUMATIC



SECTIONS KIT - PNEUMATIC BT 90, 967941102, 967941103, 967941108, 967941104, 967941116, 967941105, 967941106, 967941107, 967941109, 967941110, 967941111, 2019-09

Ref	Part No	Description	Remark	QTY KIT	
1	595 16 51-01	BEAM		1	
2	594 39 20-01	SLEEVE		1	1
3	594 39 21-01	SCREW		1	1
4	594 38 84-02	HOSE		2	1
5	594 81 78-01	CLAMP		4	1
6	594 39 33-01	DAMPER		2	1

**AB** BT 90  
DECALS



DECALS BT 90, 967941102, 967941103, 967941108, 967941104, 967941116, 967941105, 967941106, 967941107, 967941109, 967941110, 967941111, 2019-09

Ref	Part No	Description	Remark	QTY KIT
1	577 46 90-01	DECAL		1
2	596 44 62-01	DECAL		1
3	595 48 00-01	LABEL		1
4	596 63 69-01	DECAL		1
5	594 66 02-01	LABEL		1
6	595 13 85-01	LABEL		1
7	596 76 13-01	DECAL		2
7	596 76 12-01	DECAL		2