

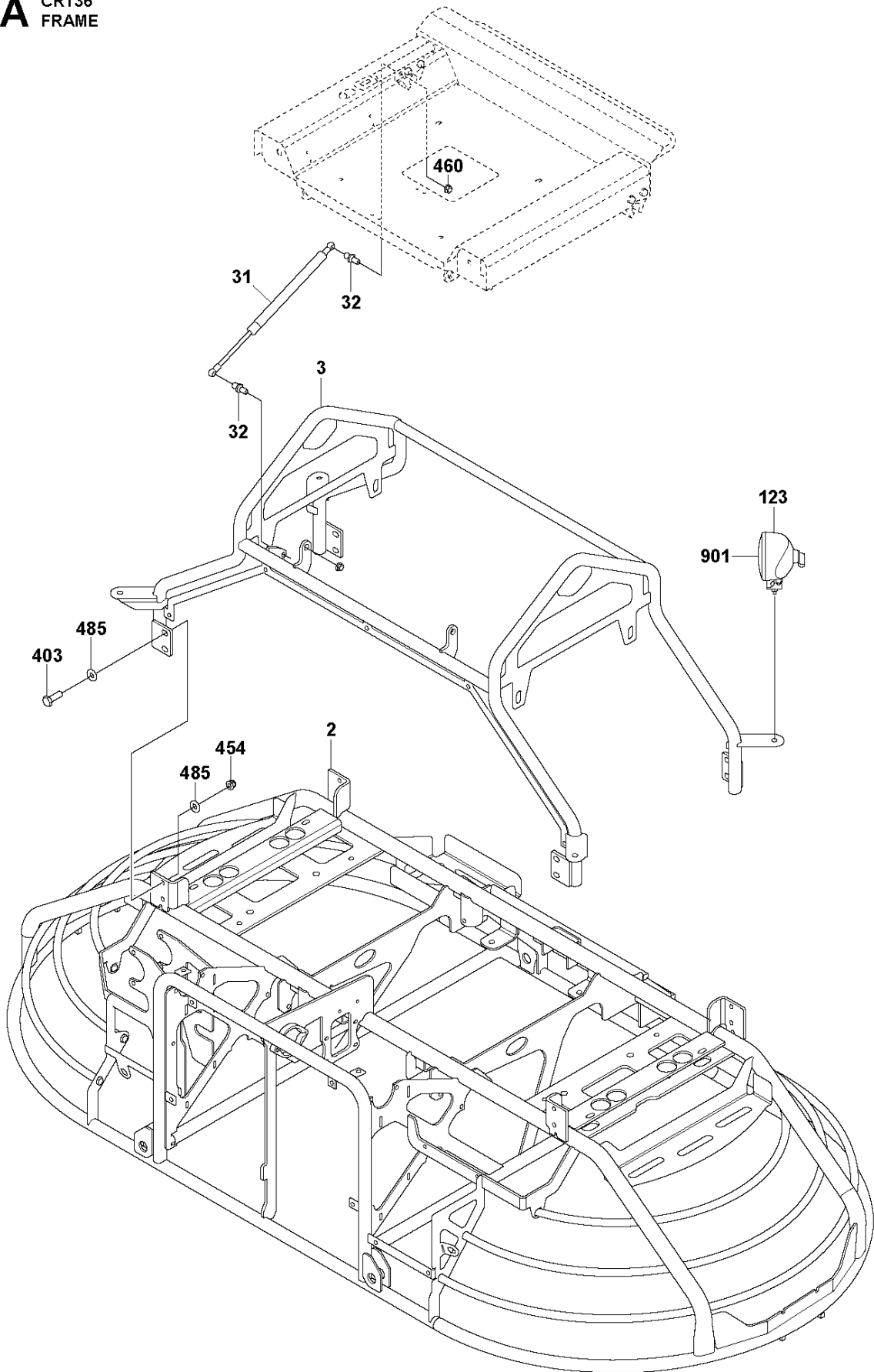


# SPARE PARTS LIST

TROWELS

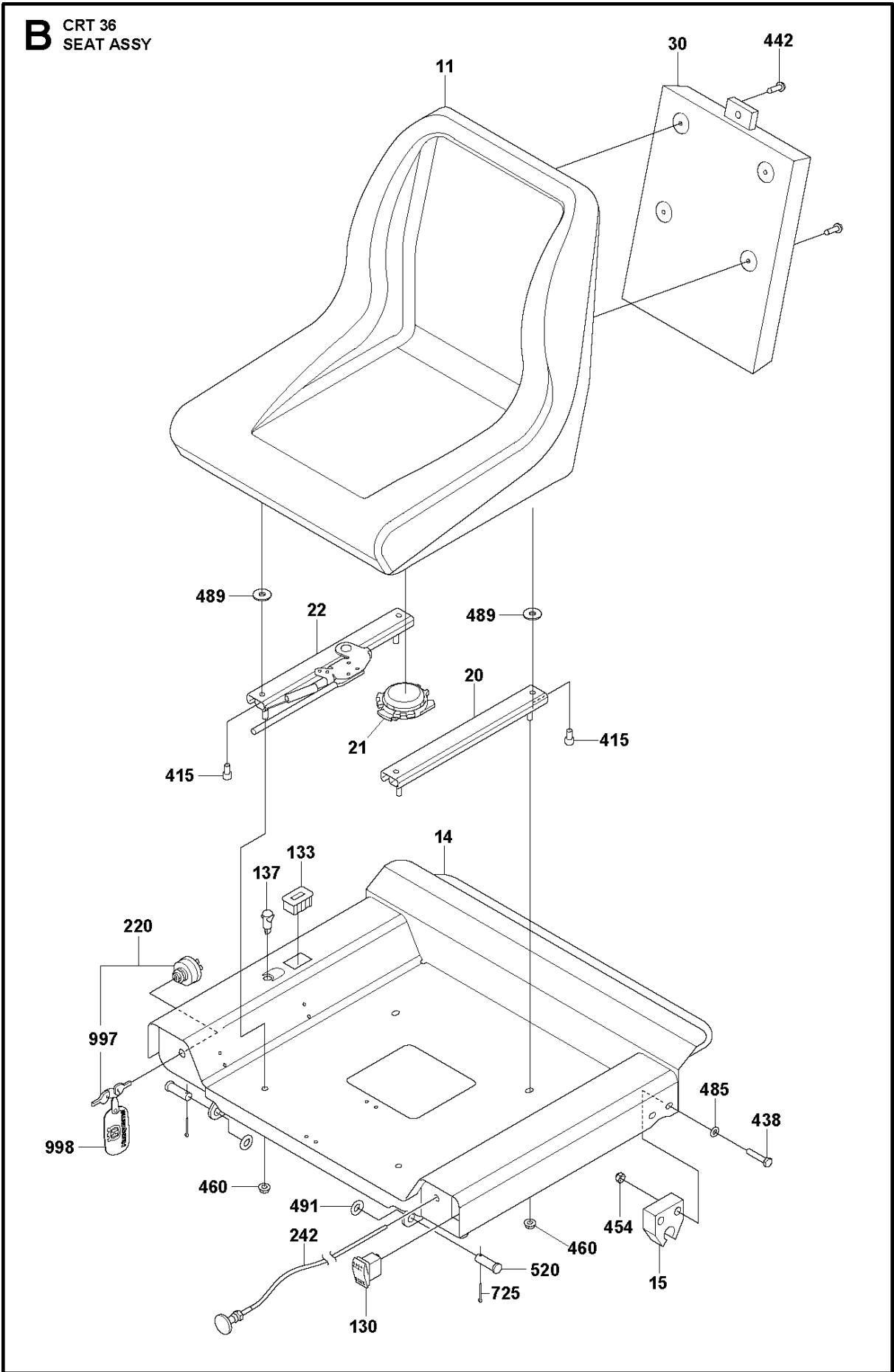
CRT 36

**A** CRT36  
FRAME



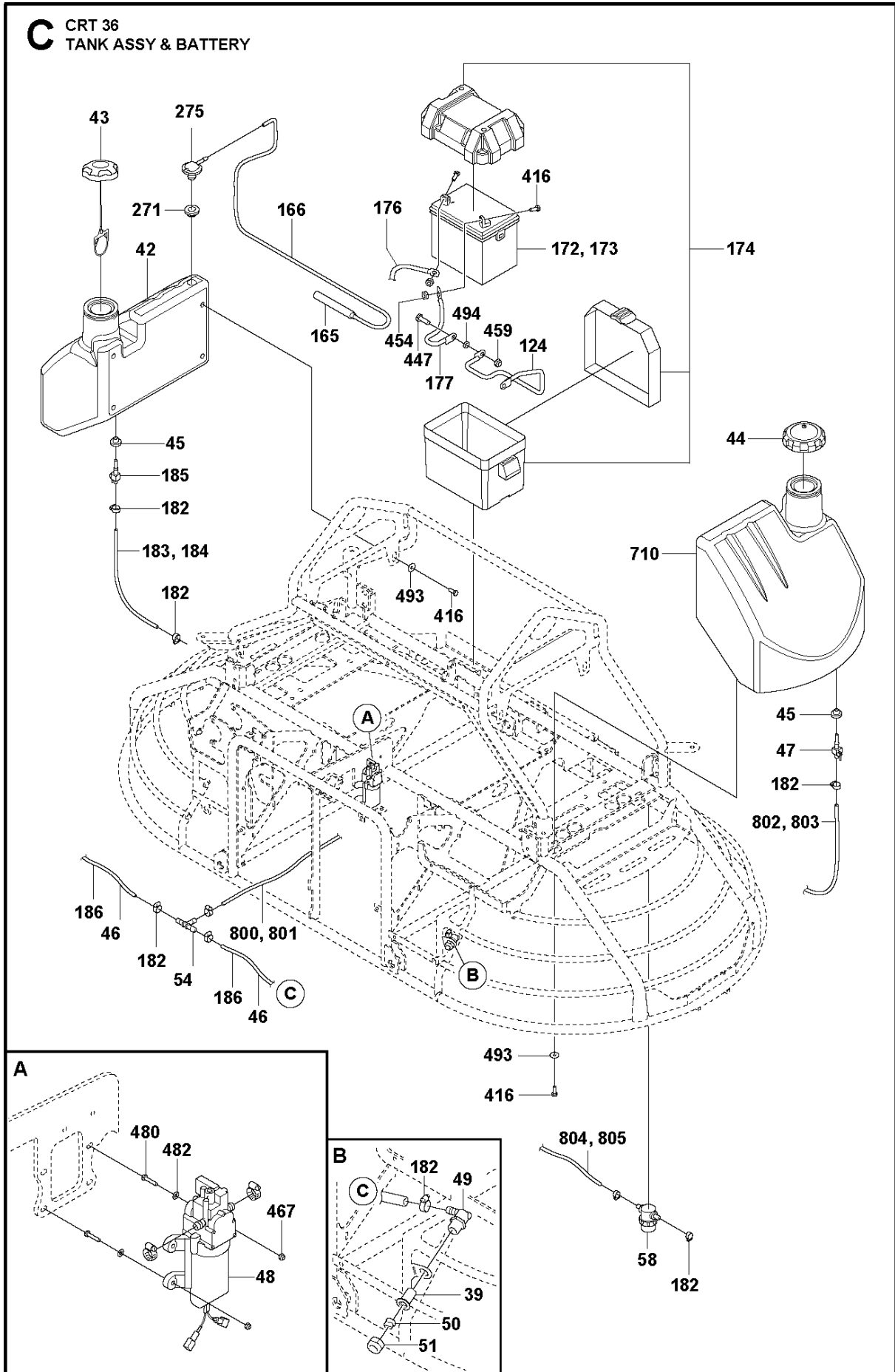
Ref	Part No	Description	Remark	QTY KIT
2	599 03 11-01	FRAME		1
3	599 03 12-01	FRAME		1
31	599 03 31-01	CYLINDER		1
32	599 16 87-01	STUD		2
123	599 07 69-01	LIGHT	Light, LED	4
403	506 57 01-05	SCREW EHHFM	M8x25 ISO 4162 8.8 ZPB	8
454	732 25 18-01	HEXAGON LOCKING NUT	M8 ISO 7040 8 ZPB	8
485	734 11 63-01	WASHER	M8 ISO 7089 200HV ZPB	16
460	576 64 57-04	NUT FLANGE	M8 ISO 7043 8 FZB	2
901	529 92 71-01	CABLE	Adapter cable	4

**B** CRT 36  
SEAT ASSY



Ref	Part No	Description	Remark	QTY KIT
11	599 10 41-01	SEAT		1
14	599 04 18-01	PLATE		1
15	598 99 08-01	BRACKET		2
20	599 04 09-01	BRACKET		1
21	599 02 69-01	SWITCH		1
22	599 02 64-01	BRACKET		1
30	598 98 85-01	HOLDER		1
130	599 07 08-01	SWITCH	Switch, lights	1
133	598 99 43-01	HOUR METER	Hour meter	1
137	599 04 44-01	LIGHT	Indicator light (red)	1
220	598 99 73-01	SWITCH		1
242	599 10 81-01	CABLE	Choke	1
415	725 54 51-01	SCREW IHSCM	M8x20 ISO 4762 8.8 ZPB	4
438	725 24 59-51	SCREW EHHM	M8x40 ISO 4014 8.8 ZPB	4
442	599 16 91-01	SCREW	#10x3/4"	4
454	732 25 18-01	HEXAGON LOCKING NUT	M8 ISO 7040 8 ZPB	1
460	576 64 57-04	NUT FLANGE	M8 ISO 7043 8 FZB	4
485	734 11 63-01	WASHER	M8 ISO 7089 200HV ZPB	4
489	599 16 07-01	WASHER		2
491	734 11 78-01	WASHER	M12 ISO 7089 200HV ZPB	2
520	599 17 33-01	PIN	Clevis pin 1/2"x1"	2
725	599 16 01-01	PIN	Cotter pin 3.2x25	2
997	536 58 47-01	KEY	Key	1
998	599 47 90-01	KEY	Key fob, Husqvarna	1

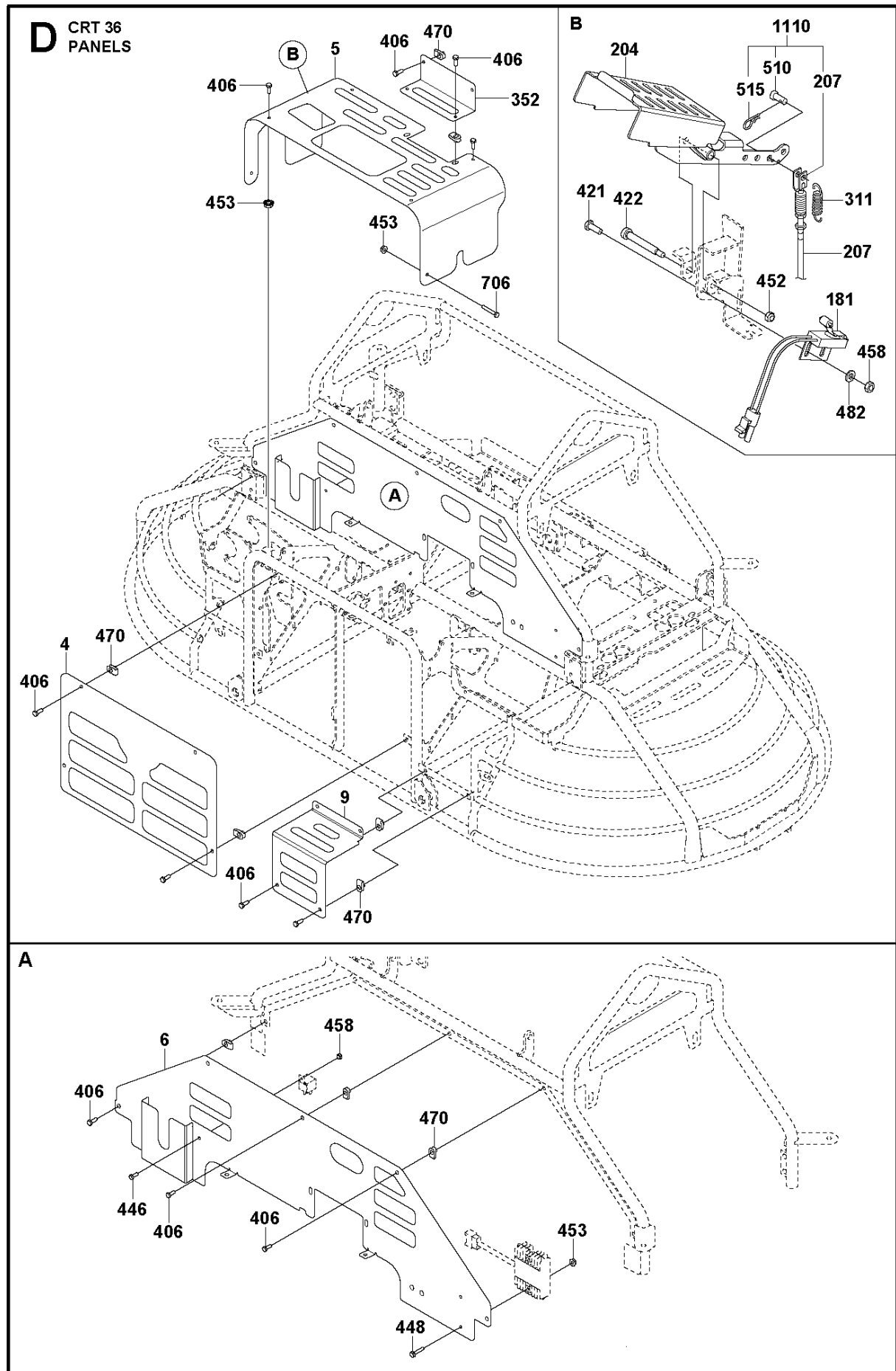
**C** CRT 36  
TANK ASSY & BATTERY



## TANK ASSY &amp; BATTERY

CRT 36

Ref	Part No	Description	Remark	QTY KIT
39	598 99 88-01	VALVE		2
42	599 13 13-02	TANK	Fuel tank	1
43	599 07 09-01	CAP		1
44	599 03 02-01	CAP		1
45	598 99 04-01	BUSHING		2
46	599 55 28-04	WIRE	17.75in	2
47	599 06 17-01	VALVE		1
48	599 46 31-01	WATER PUMP KIT		1
49	598 99 39-01	ELBOW		2
50	598 99 40-01	JET		2
51	598 99 41-01	FITTING		2
54	599 16 90-01	FITTING	Hydraulic t-fitting	1
58	599 06 18-01	SCREEN		1
124	541 20 10-14	CABLE	Ground, 16in	1
165	599 07 11-01	HOSE	3/8x1/4in	1
166	599 55 08-01	FUEL HOSE	Hose 59in	1
172	505 78 62-01	BATTERY	EU	1
173	522 95 02-01	BATTERY	US	1
174	505 83 60-01	COVER		1
176	599 03 64-01	CABLE	36in	1
177	598 99 54-01	CABLE	13in	1
182	542 02 00-49	HOSE CLAMP	0,21-0,63	11
183	599 55 28-07	WIRE	57in	1
184	599 55 17-01	FUEL HOSE	Hose 55in	1
185	599 00 05-01	VALVE		1
186	599 55 28-03	WIRE	Wire loom, 15.75in	2
271	599 06 88-01	GROMMET		1
275	599 06 87-01	VENT		1
416	725 24 51-71	SCREW EHHM	M8x20,25Nm/18ft.lbs	8
447	725 24 95-71	SCREW EHHM	M10x30,49Nm/36ft.lbs	1
454	522 91 94-01	LOCK NUT	M8,DIN985	1
459	732 25 20-01	HEXAGON LOCKING NUT	M10,DIN980	1
467	542 16 74-85	LOCK NUT		4
480	725 22 95-71	SCREW EHHM	M4x20, 3Nm/2ft.lbs	4
482	734 11 46-01	WASHER		4
493	734 11 65-41	WASHER		8
494	599 16 75-01	LOCKWASHER	M10	1
710	599 13 12-02	TANK	Water tank	1
800	599 55 23-01	HOSE	11in	1
801	599 55 28-02	WIRE	Wire loom, 9in	1
802	599 46 55-02	HOSE	3/8 ID x 5in	1
803	599 55 28-01	WIRE	Wire loom, 3.50in	1
804	599 55 28-06	WIRE	3/8 ID x 33.00in	1
805	599 55 28-05	WIRE	Wire loom, 31in	1



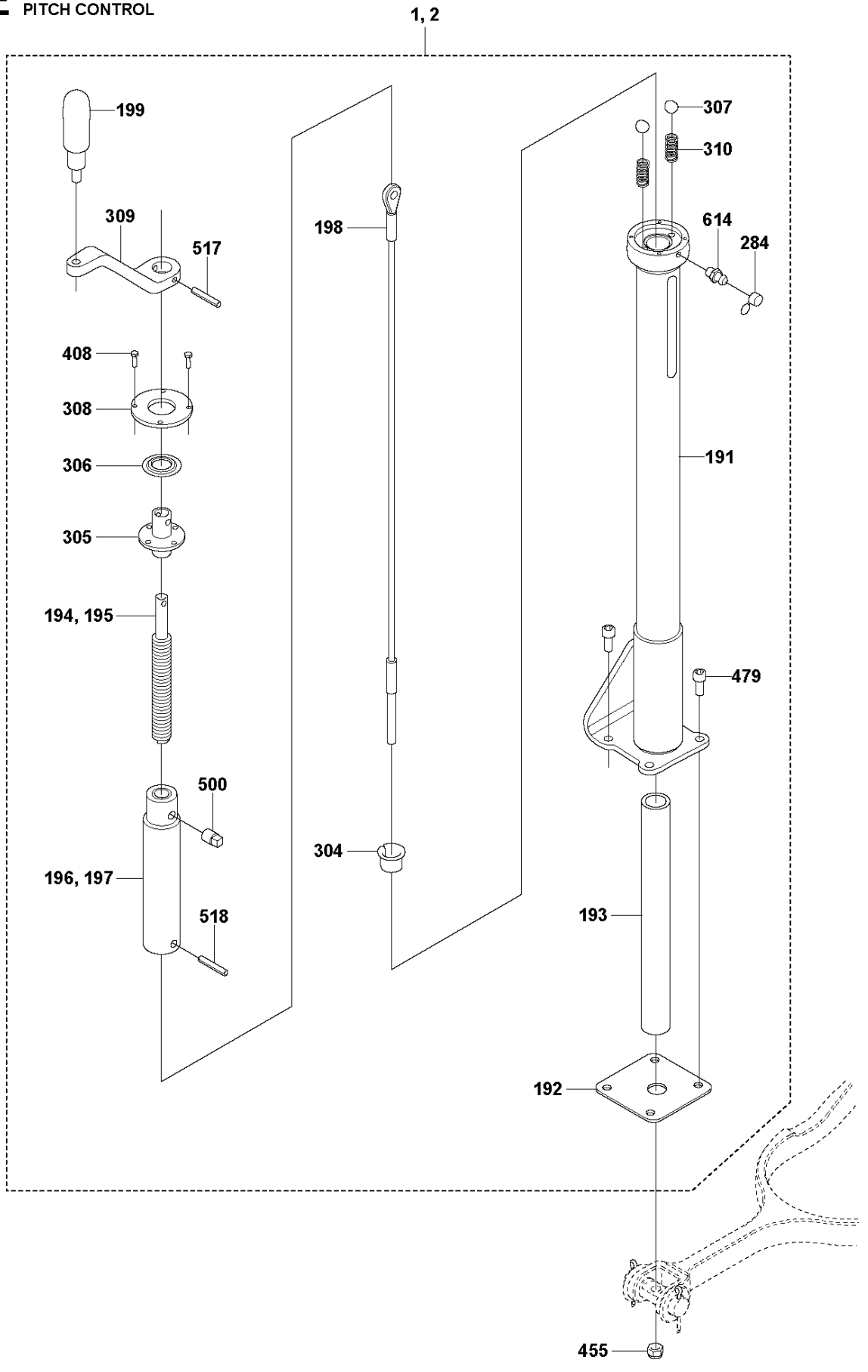


## PANELS

CRT 36

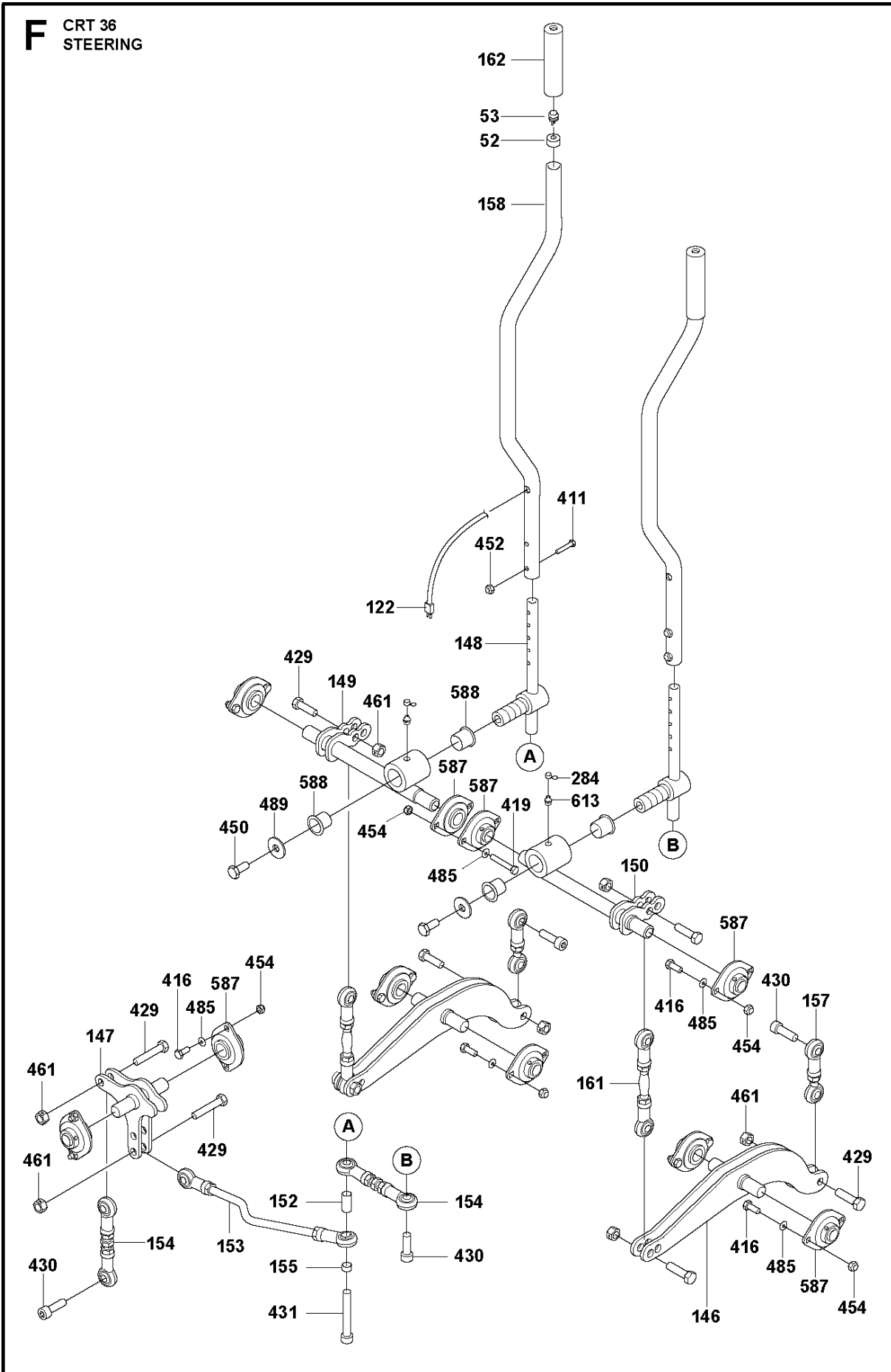
Ref	Part No	Description	Remark	QTY	KIT
4	599 13 02-02	PLATE		1	
5	599 03 21-01	PLATE		1	
6	599 13 03-02	PANEL ASSY		1	
9	599 03 20-01	PANEL		1	
181	598 99 46-01	SWITCH		1	
204	599 03 56-01	LEVER		1	
207	599 04 06-01	CABLE	Throttle cable	1	1110
311	599 17 19-01	SPRING		1	
352	599 04 60-01	PLATE		1	
406	585 98 06-01	SCREW EHHFM	M6 x 16 10Nm/7ft.lbs	21	
421	725 23 29-71	SCREW EHHM	M5x16 ISO 4017 8.8 ZPB	2	
422	599 17 18-01	SCREW	M6x50	1	
446	725 23 27-71	SCREW EHHM	M5x12 ISO 4017 8.8 ZPB	1	
448	599 60 85-01	SCREW	M6x30 ISO 4162 8.8 ZPB	2	
452	732 25 16-01	HEXAGON LOCKING NUT	M6 ISO 7040 8 ZPB	3	
453	593 35 64-01	NUT		6	
458	732 21 14-01	LOCK NUT	M5 ISO 10511 8	3	
470	599 16 68-01	LOCK NUT	Lugs 060023	15	
482	734 11 46-01	WASHER	M5 ISO 7089 200HV ZPB	2	
510	599 16 52-01	PIN	Clevis pin 1/4"x1/2"	1	1110
515	599 16 35-01	PIN	Cotter pin 0.073"x1-3/16" Zn	1	1110
706	505 82 18-01	HEX BOLT 6MM X 50 MM	M6x50	2	
1110	599 55 85-01	THROTTLE CABLE	Throttle cable kit	1	

**E** CRT 36  
PITCH CONTROL



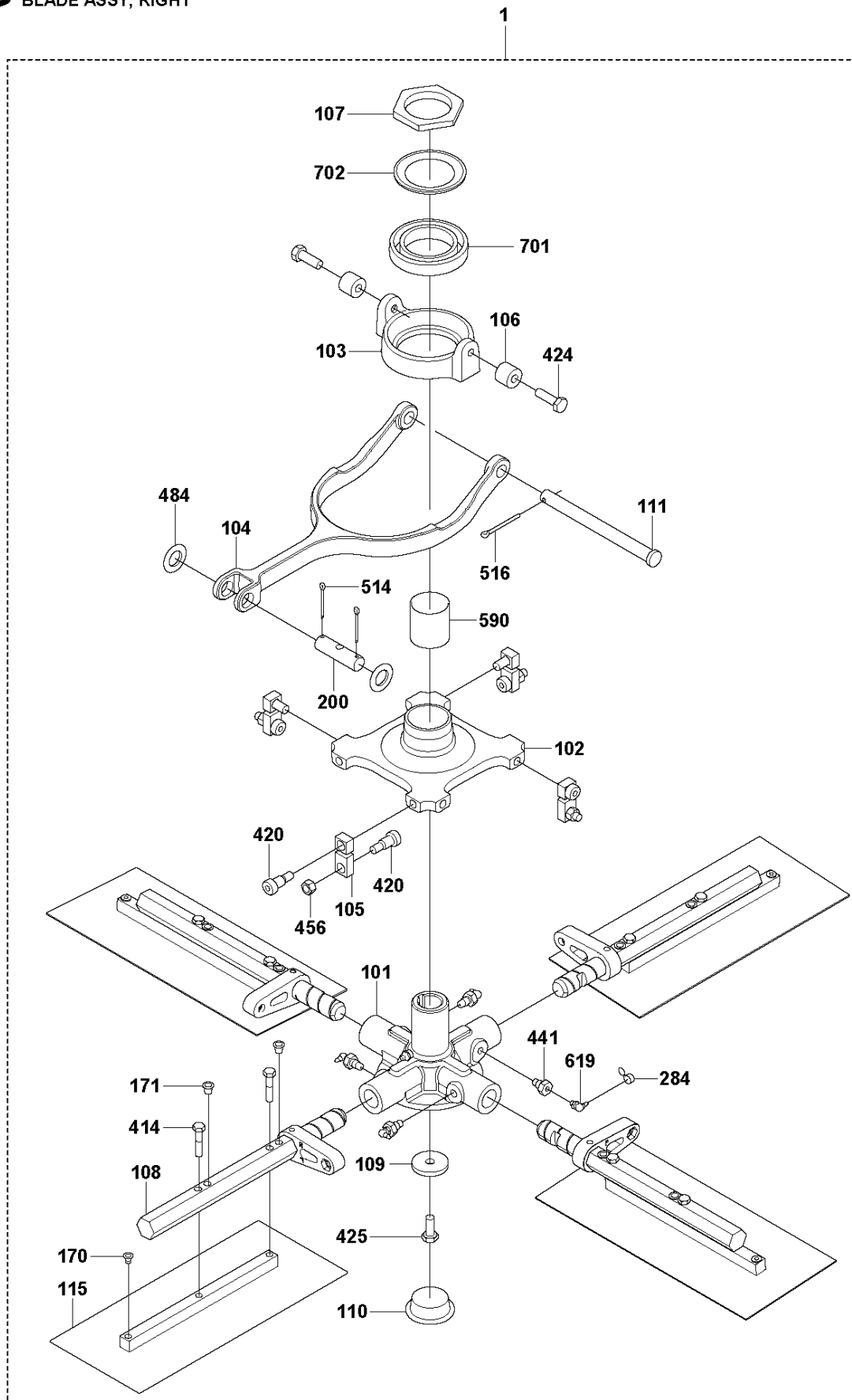
Ref	Part No	Description	Remark	QTY	KIT
1	536 67 34-01	LEVER ASSY	Right hand, complete	1	
2	536 67 34-02	LEVER ASSY	Left hand, complete	1	
191	599 00 42-01	TUBE		1	1, 2
192	599 06 24-01	PLATE		1	1, 2
193	599 06 25-01	TUBE		1	1, 2
194	599 16 94-01	ROD	Right hand thread	1	1
195	599 16 95-01	ROD	Left hand thread	1	2
196	599 00 46-01	TUBE	Right hand thread	1	1
197	599 00 47-01	TUBE	Left hand thread	1	2
198	599 00 48-01	CABLE	Pitch cable	1	1, 2
199	599 00 51-01	HANDLE	Handle, 24Nm/18ft.lbs	1	1, 2
284	599 16 92-01	CAP	Cap	1	1, 2
304	599 00 43-01	BUSHING		1	1, 2
305	599 00 44-01	HUB		1	1, 2
306	599 16 93-01	RING	Nilos ring	1	1, 2
307	599 16 96-01	BALL		2	1, 2
308	599 00 49-01	PLATE		1	1, 2
309	599 04 74-01	CRANK		1	1, 2
310	599 00 41-01	SPRING		2	1, 2
408	599 16 82-01	SCREW	M4x14	4	1, 2
455	542 16 62-56	LOCK NUT	5/16"-24 Locknut, fiber	1	1, 2
479	725 54 51-01	SCREW IHSCM	M8x20 ISO 4762 8.8 ZPB	4	1, 2
500	599 17 31-01	PIPE		1	1, 2
517	599 16 33-01	PIN	Roll pin 1/4"x1-1/2"	1	1, 2
518	599 16 00-01	PIN	Roll pin 8x36	1	1, 2
614	599 17 66-01	FITTING	AM6 DIN 71412	1	1, 2

**F** CRT 36  
STEERING



Ref	Part No	Description	Remark	QTY KIT
52	599 00 13-01	CAP		1
53	599 00 12-01	SWITCH		1
122	598 99 97-01	WIRING		1
146	599 03 24-01	BRACKET		2
147	599 00 20-01	BRACKET		1
148	599 00 17-01	PIVOT		2
149	599 03 09-01	HUB		1
150	599 03 10-01	HUB		1
152	598 99 36-01	TUBE		1
153	599 01 63-01	LINK		1
154	599 01 60-01	LINK		2
155	599 04 71-01	SPACER		1
157	599 03 84-01	LINK		2
158	599 03 35-01	HANDLE		2
161	599 01 61-01	LINK		2
162	598 99 96-01	HANDLE	Handle grip	2
284	599 16 92-01	CAP	Cap	2
411	725 23 76-71	SCREW EHHM	M6x35 ISO 4017 8.8 ZPB	4
416	725 24 51-71	SCREW EHHM	M8x20 ISO 4017 8.8 ZPB	16
419	725 24 64-51	SCREW EHHM	M8x65 ISO 4014 8.8 ZPB	2
429	599 17 25-01	SCREW	HHCS 1/2"-20x1-3/4"	8
430	587 42 88-01	BOLT	HSCS 1/2"-20x1"	4
431	599 17 04-01	SCREW	HSCS 1/2"-20x3-1/2"	1
450	585 23 59-01	SCREW EHHFM	M12x25 EN 1665 8.8 ZPB	2
452	732 25 16-01	HEXAGON LOCKING NUT	M6 ISO 7040 8 ZPB	4
454	732 25 18-01	HEXAGON LOCKING NUT	M8 ISO 7040 8 ZPB	18
461	587 65 39-03	NUT	1/2-20 UNF-2B x3/4" GR8 Clear Zinc	8
485	734 11 63-01	WASHER	M8 ISO 7089 200HV ZPB	18
489	734 11 80-01	WASHER		2
587	598 99 69-01	BEARING		10
588	598 99 31-01	BEARING		4
613	599 16 21-01	FITTING	AM10 DIN 71412	2

**G** CRT 36  
BLADE ASSY, RIGHT

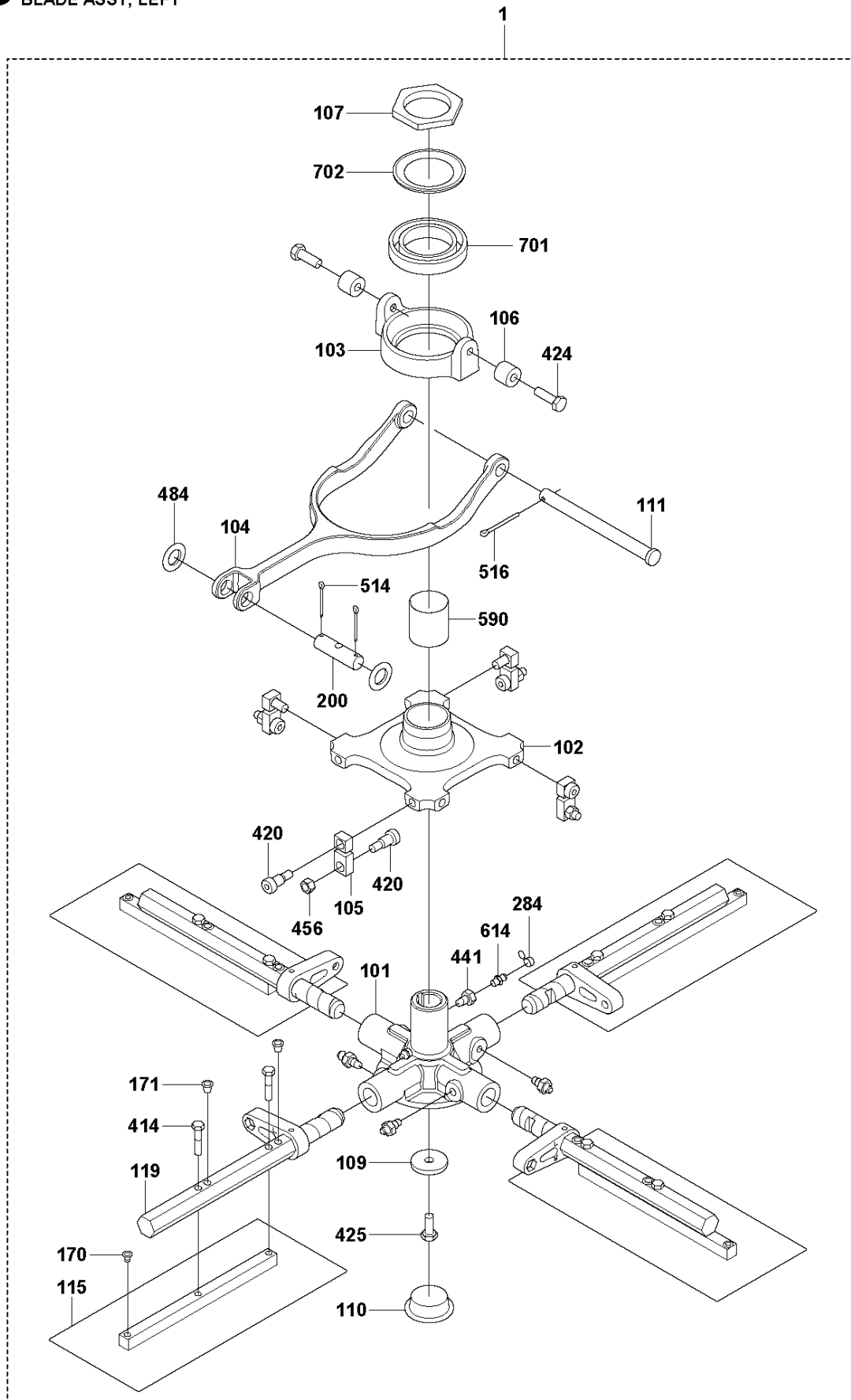


## BLADE ASSY, RIGHT

CRT 36

Ref	Part No	Description	Remark	QTY KIT	
1	536 10 78-02	UNIT	Blade assy 36", right	1	
101	598 99 12-01	HUB		1	1
102	598 99 61-01	RING		1	1
103	598 99 63-01	HOLDER		1	1
104	598 99 65-01	YOKE		1	1
105	598 99 11-01	LINK		4	1
106	598 99 34-01	TUBE		2	1
107	598 99 66-01	CAP		1	1
108	599 00 39-01	SHAFT		4	1
109	599 16 60-01	WASHER		1	1
110	598 98 73-01	PLUG		1	1
111	599 16 66-01	SHAFT		1	1
115	598 92 95-01	BLADE SET	Set of 4 pcs, finish, 36"	1	1
170	599 16 34-01	PLUG		4	1
171	599 06 36-01	PLUG		8	1
200	598 99 35-01	MOUNT		1	1
284	599 16 92-01	CAP		4	1
414	505 72 82-01	BOLT	HHCS 5/16"-18 UNC x1-1/2" GR5 Zn	8	1
420	599 16 30-01	SCREW	SHSB 1/2"x1/2" GR	8	1
424	725 24 97-51	SCREW	M10x35 ISO 4017 8.8 ZPB	2	1
425	725 24 93-71	SCREW EHHM	M10x25 ISO 4017 8.8 ZPB	1	1
441	598 98 69-01	SCREW		4	1
456	539 99 01-30	NUT	3/8-16" ZPB"	4	1
484	542 17 30-35	WASHER	M20 ISO 7089 200HV ZPB	2	1
514	542 02 06-16	PIN	Cotter pin 1/4"x1-1/2" Zn	2	1
516	541 20 49-24	PIN		1	
590	598 98 72-01	BEARING		1	1
619	599 17 03-01	GREASE	AM6 DIN 71412 90DEG	4	1
701	598 99 67-01	BEARING	6012 2NSE/C3	1	1
702	599 16 61-01	RING	RING, NILOS 6012ZAV	1	1

**G** CRT 36  
BLADE ASSY, LEFT

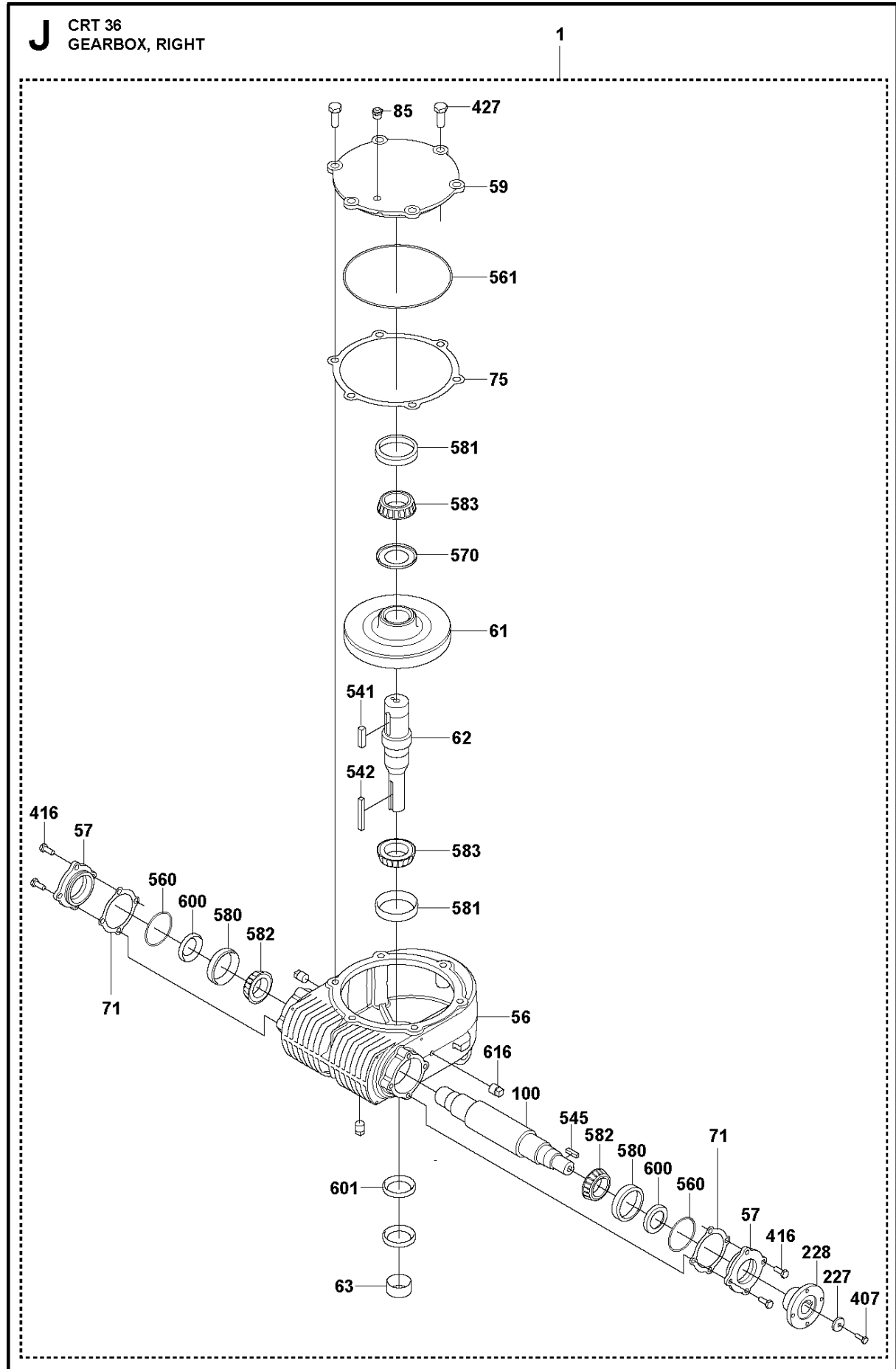




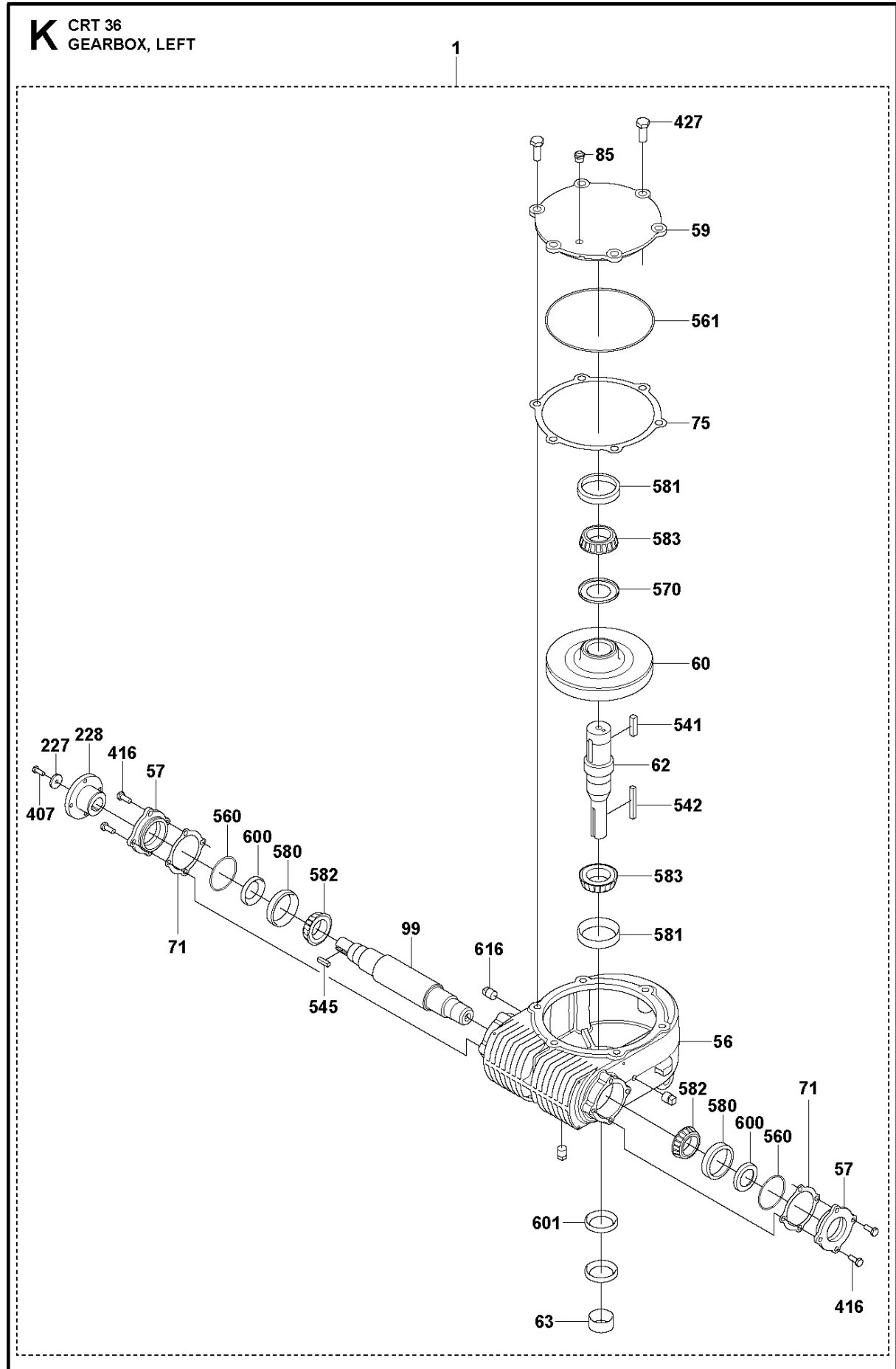
## BLADE ASSY, LEFT

CRT 36

Ref	Part No	Description	Remark	QTY	KIT
1	536 10 78-01	UNIT	Blade assy 36", left	1	1
101	598 99 12-01	HUB		1	1
102	598 99 61-01	RING		1	1
103	598 99 63-01	HOLDER		1	1
104	598 99 65-01	YOKE		1	1
105	598 99 11-01	LINK		4	1
106	598 99 34-01	TUBE		2	1
107	598 99 66-01	CAP		1	1
109	599 16 60-01	WASHER		4	1
110	598 98 73-01	PLUG		1	1
111	599 16 66-01	SHAFT		1	1
115	598 92 95-01	BLADE SET	Set of 4 pcs, finish, 36"	1	1
119	599 00 40-01	SHAFT		1	1
170	599 16 34-01	PLUG		4	1
171	599 06 36-01	PLUG		8	1
200	598 99 35-01	MOUNT		1	1
284	599 16 92-01	CAP		4	1
414	505 72 82-01	BOLT	HHCS 5/16"-18 UNC x1-1/2" GR5 Zn	8	1
420	599 16 30-01	SCREW	SHSB 1/2"x1/2" GR	8	1
424	725 24 97-51	SCREW	M10x35 ISO 4017 8.8 ZPB	2	1
425	725 24 93-71	SCREW EHHM	M10x25 ISO 4017 8.8 ZPB	1	1
441	598 98 69-01	SCREW		4	1
456	539 99 01-30	NUT	3/8-16" ZPB	4	1
484	542 17 30-35	WASHER	M20 ISO 7089 200HV ZPB	2	1
514	542 02 06-16	PIN	Cotter pin 1/4"x1-1/2" Zn	2	1
516	541204924	TBD	Cotter pin 3/16"x2" Zn	1	
590	598 98 72-01	BEARING		1	1
614	599 17 66-01	FITTING	AM6 DIN 71412	4	1
701	598 99 67-01	BEARING	6012 2NSE/C3	1	1
702	599 16 61-01	RING	RING, NILOS 6012ZAV	1	1



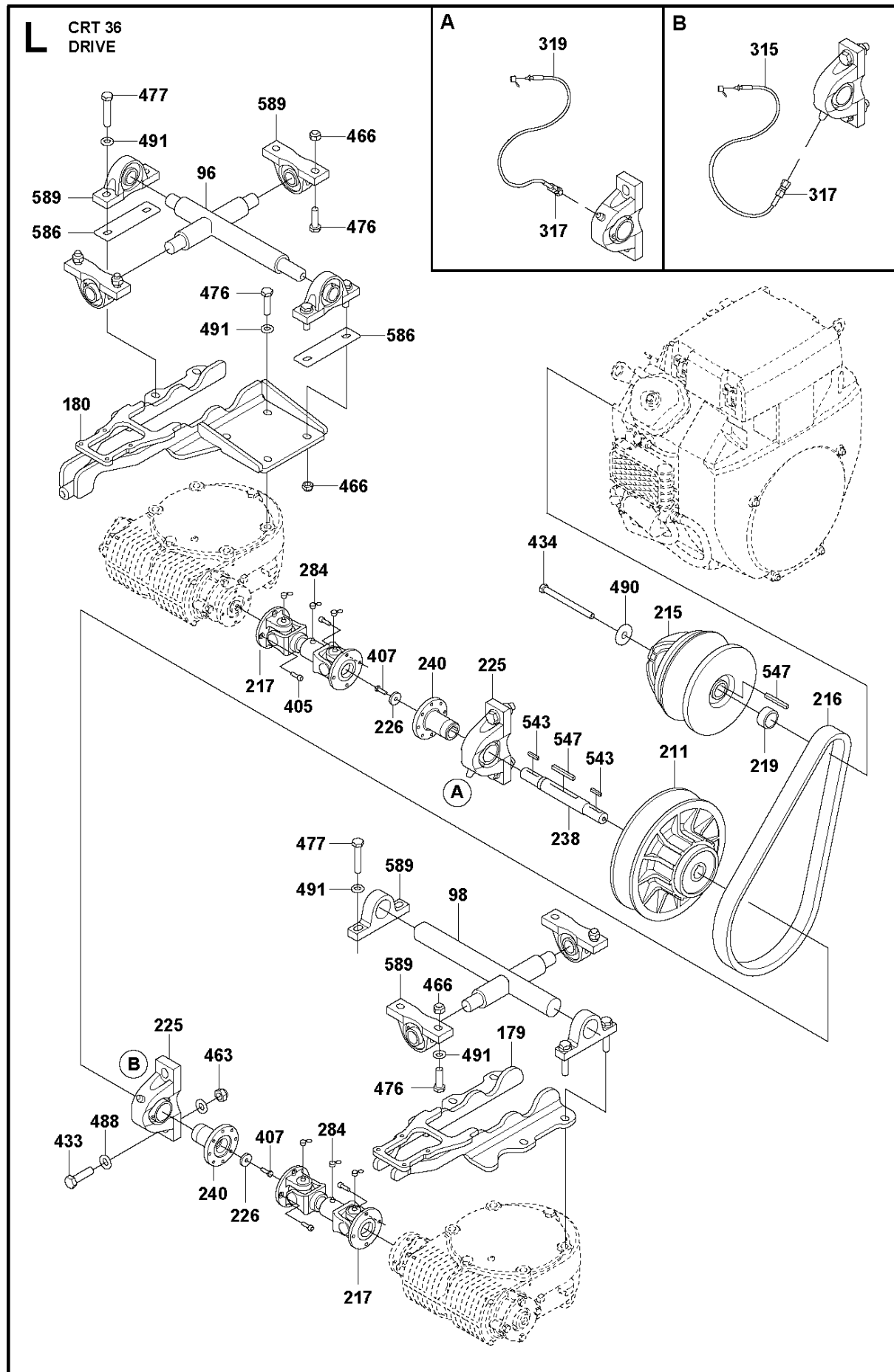
Ref	Part No	Description	Remark	QTY	KIT
1	599 34 00-02	GEARBOX ASSY	Gearbox assy RH, CRT 36	1	
56	598 99 21-01	GEARBOX		1	1
57	598 99 22-01	COVER		2	1
59	598 99 15-01	COVER		1	1
61	598 99 16-01	GEAR	Gear, worm RH	1	1
62	598 99 82-01	SHAFT		1	1
63	598 99 77-01	WASHER		1	1
71	536 85 28-02	SHIM	Shim kit, side cover, 4pcs	1	1
75	536 85 28-01	SHIM	Shim kit, upper cover, 5pcs	1	1
85	599 17 05-01	VALVE		1	1
100	598 99 51-01	WORM GEAR	Worm, RH	1	1
227	599 16 58-01	WASHER		1	1
228	599 12 54-01	FITTING		1	1
407	725 23 70-71	SCREW EHHM	M6x20 ISO 4017 8.8 ZPB	1	1
416	725 24 51-71	SCREW EHHM	M8x20 ISO 4017 8.8 ZPB	8	1
427	725 25 38-71	SCREW EHHM	M12x35 ISO 4017 8.8 ZPB	2	1
541	599 16 48-01	KEY	3/8"x3/8"x1-1/2"	1	1
542	599 16 70-01	KEY	7x8x65	1	1
545	541 20 34-04	KEY	1/4"x1/4"x1"	1	1
560	598 99 23-01	O-RING	2-3/8"x3/32" NBR 70 Shore	2	1
561	598 99 24-01	O-RING	7-1/4"x1/8" NBR 70 Shore	1	1
570	599 16 45-01	SEAL	RING, NILOS LM501349/LM501310 AV	1	1
580	599 16 46-01	BEARING	LM48510	2	1
581	599 16 47-01	BEARING	LM501310	2	1
582	598 99 47-01	BEARING	LM48548	2	1
583	599 16 56-01	BEARING	LM501349	2	1
600	599 04 75-01	SEAL	13054	2	1
601	599 04 76-01	SEAL	16078	2	1
616	599 17 10-01	PLUG		3	1



## GEARBOX, LEFT

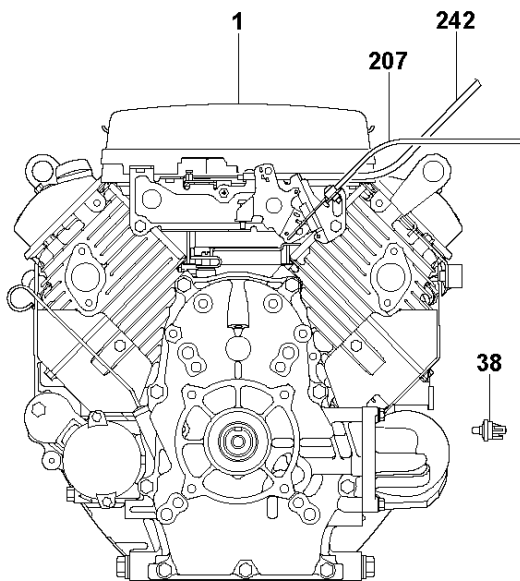
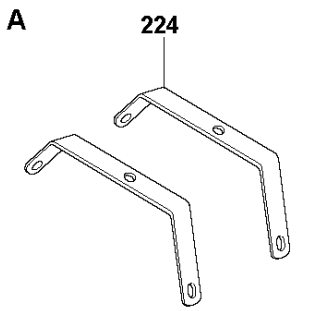
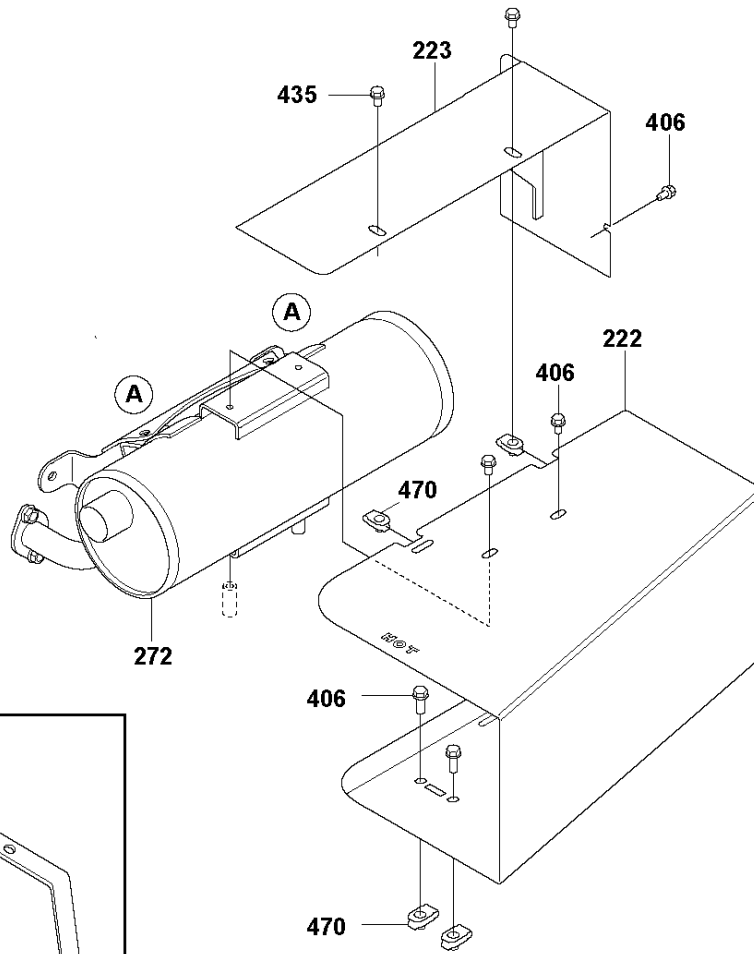
CRT 36

Ref	Part No	Description	Remark	QTY	KIT
1	599 34 00-01	GEARBOX ASSY	Gearbox assy LH, CRT 36	1	1
56	598 99 21-01	GEARBOX		1	1
57	598 99 22-01	COVER		2	1
59	598 99 15-01	COVER		1	1
60	598 99 18-01	GEAR	Gear, worm LH	1	1
62	598 99 82-01	SHAFT		1	1
63	598 99 77-01	WASHER		1	1
71	536 85 28-02	SHIM	Shim kit, side cover, 4pcs	1	1
75	536 85 28-01	SHIM	Shim kit, upper cover, 5pcs	1	1
85	599 17 05-01	VALVE		1	1
99	598 99 50-01	WORM GEAR	Worm, LH	1	1
227	599 16 58-01	WASHER		1	1
228	599 12 54-01	FITTING		1	1
407	725 23 70-71	SCREW EHHM	M6x20 ISO 4017 8.8 ZPB	1	1
416	725 24 51-71	SCREW EHHM	M8x20 ISO 4017 8.8 ZPB	8	1
427	725 25 38-71	SCREW EHHM	M12x35 ISO 4017 8.8 ZPB	2	1
541	599 16 48-01	KEY	3/8"x3/8"x1-1/2"	1	1
542	599 16 70-01	KEY	7x8x65	1	1
545	541 20 34-04	KEY	1/4"x1/4"x1"	1	1
560	598 99 23-01	O-RING	2-3/8"x3/32" NBR 70 Shore	2	1
561	598 99 24-01	O-RING	7-1/4"x1/8" NBR 70 Shore	1	1
570	599 16 45-01	SEAL	RING, NILOS LM501349/LM501310 AV	1	1
580	599 16 46-01	BEARING	LM48510	2	1
581	599 16 47-01	BEARING	LM501310	2	1
582	598 99 47-01	BEARING	LM48548	2	1
583	599 16 56-01	BEARING	LM501349	2	1
600	599 04 75-01	SEAL	13054	2	1
601	599 04 76-01	SEAL	16078	2	1
616	599 17 10-01	PLUG		3	1



Ref	Part No	Description	Remark	QTY KIT
96	599 03 53-01	LEVER	Right cross	1
98	599 03 83-01	LEVER	Left cross	1
179	599 03 52-01	BRACKET	Gearbox bracket, left	1
180	599 03 47-01	BRACKET	Gearbox bracket, right	1
211	599 03 27-01	CLUTCH		1
215	599 03 28-01	CLUTCH		1
216	599 03 26-01	BELT		1
217	598 99 52-01	JOINT		2
219	599 02 21-01	SPACER		1
225	598 99 45-01	BEARING	UCP 207-23	2
226	599 16 54-01	WASHER		2
238	599 03 98-01	SHAFT		1
240	598 99 48-01	FITTING		2
284	599 16 92-01	CAP		8
315	599 08 33-01	HOSE		1
317	599 17 29-01	FITTING		2
319	599 08 34-01	HOSE		1
405	725 53 70-01	SCREW IHSCM	M6x20 ISO 4762 8.8 ZPB	16
407	725 23 70-71	SCREW EHHM	M6x20 ISO 4017 8.8 ZPB	2
433	597 97 91-01	SCREW	M14x50 ISO 4017 8.8 ZPB	4
434	599 16 77-01	SCREW	HHCS 7/16"-20x4-1/2" GR5 Zn	1
463	598 55 65-01	NUT	M14 DIN 985 8 ZPB	4
466	732 25 22-01	HEXAGON LOCKING NUT	M12 ISO 7040 8 ZPB	10
476	725 25 41-71	SCREW EHHM	M12x45 ISO 4017 8.8 ZPB	12
477	725 25 44-51	SCREW EHHM	M12x60 ISO 4014 8.8 ZPB	6
488	599 16 57-01	WASHER		8
490	599 16 44-01	WASHER		1
491	734 11 78-01	WASHER	M12 ISO 7089 200HV ZPB	18
543	541 40 04-48	KEY	3/16"x3/16"x1"	2
547	599 17 24-01	KEY	1/4"x1/4"x2-1/4"	2
586	599 03 99-01	SHIM		2
589	542 16 26-33	BEARING	UCP 205-16	6

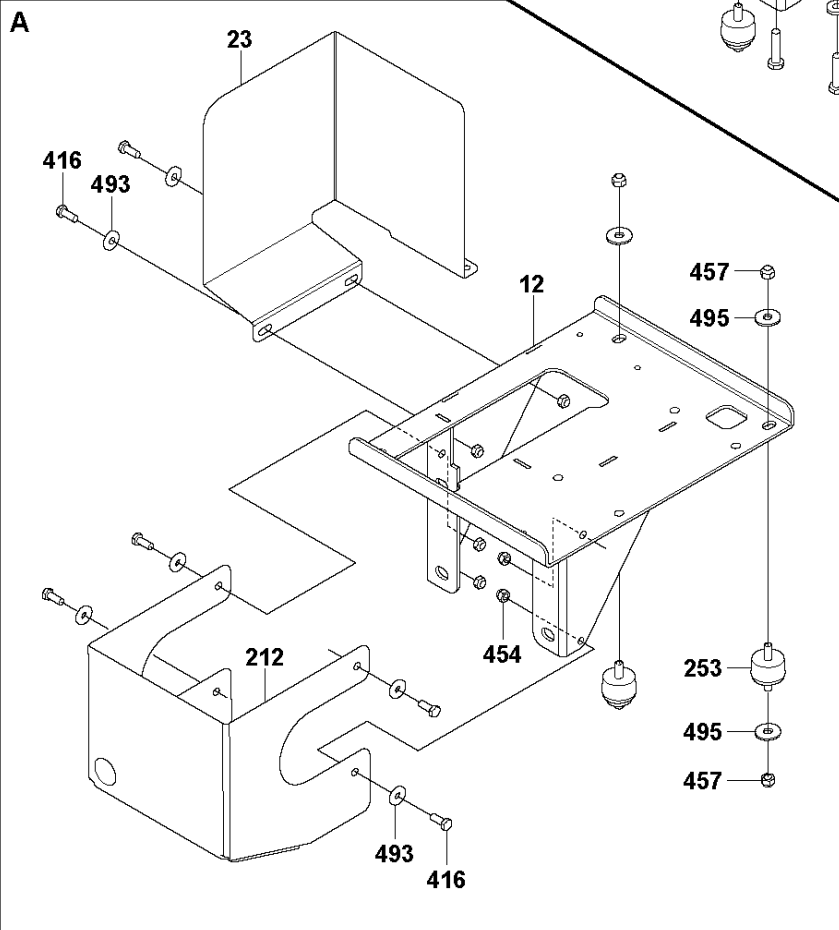
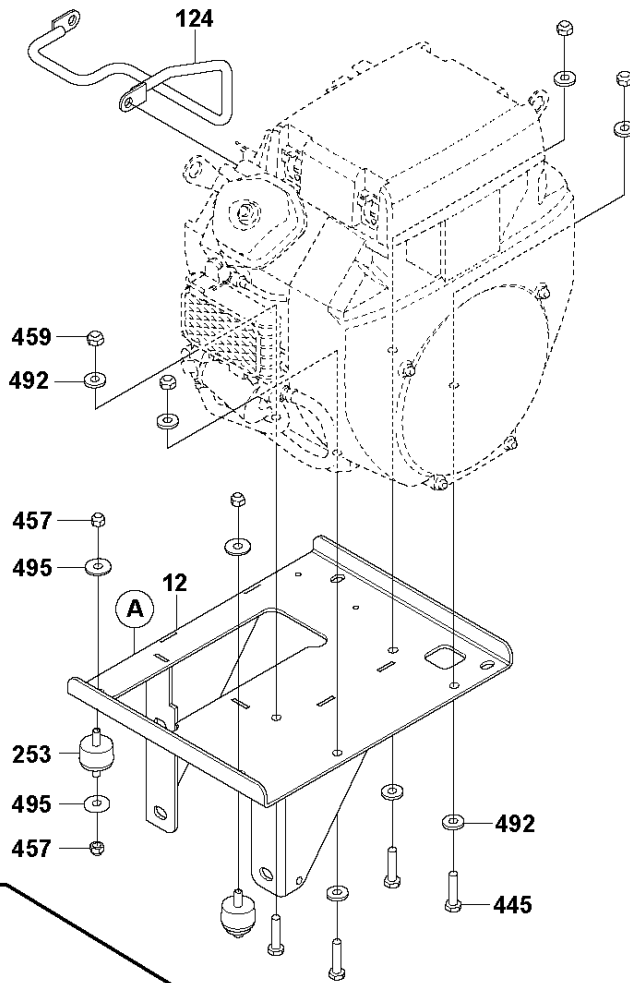
**M** CRT 36  
ENGINE, MUFFLER & HEATSHIELD





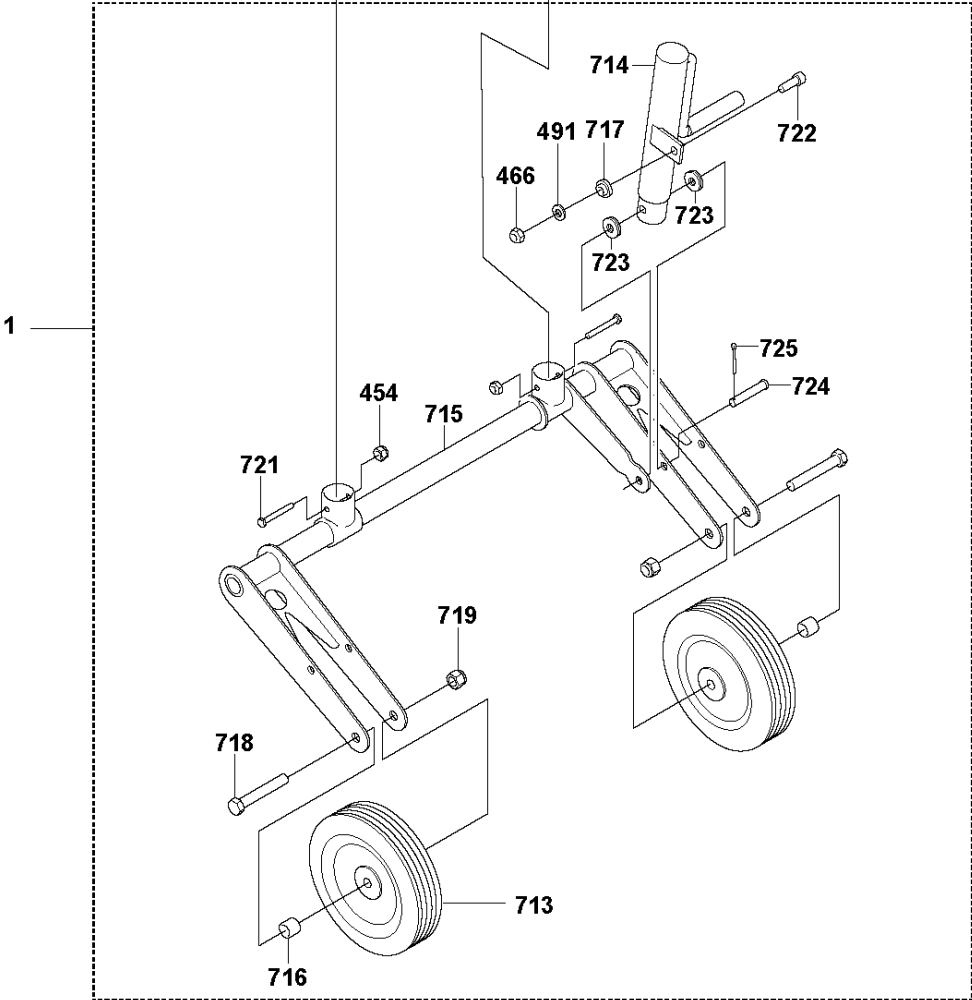
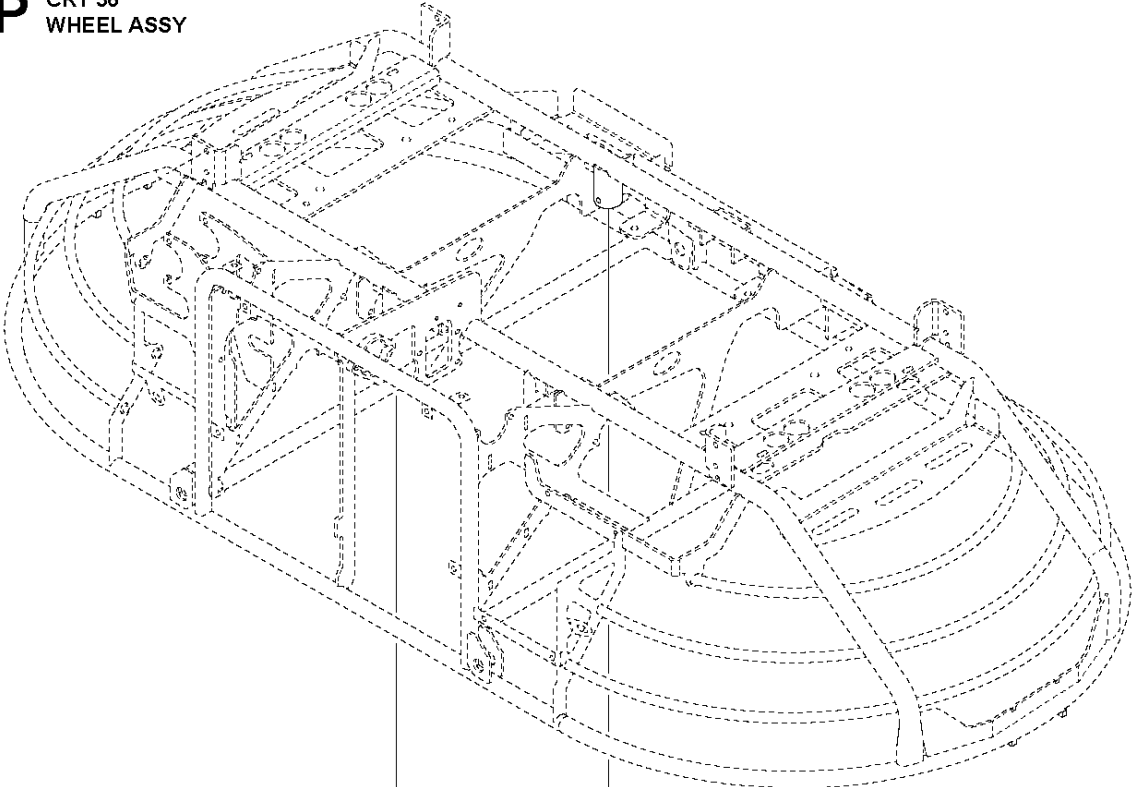
Ref	Part No	Description	Remark	QTY KIT
1	531 01 42-01	ENGINE KIT	Complete, Honda	1
38	599 04 37-01	SWITCH		1
207	599 04 06-01	CABLE		1
222	599 04 42-01	HEAT SHIELD		1
223	599 05 53-01	HEAT SHIELD		1
224	599 05 52-01	BRACKET		2
242	599 10 81-01	CABLE		2
272	599 06 97-01	MUFFLER		1
406	585 98 06-01	SCREW EHHFM	M6x16 EN 1665 8.8 ZPB	9
435	725 23 66-61	SCREW EHHFT	M6x12 EN 1665 8.8 ZPB	4
470	599 16 68-01	LOCK NUT	Lugs 060023	9

**N** CRT 36  
ENGINE PLATE



Ref	Part No	Description	Remark	QTY KIT
12	599 03 15-01	PLATE		1
23	599 03 82-01	BELT GUARD		1
124	541 20 10-14	CABLE	16" black	1
212	599 04 00-01	GUARD		1
253	598 99 98-01	BUMPER		4
416	725 24 51-71	SCREW EHHM	M8x20 ISO 4017 8.8 ZPB	8
445	725 25 00-51	SCREW EHHM	M10x45 ISO 4014 8.8 ZPB	4
454	732 25 18-01	HEXAGON LOCKING NUT	M8 ISO 7040 8 ZPB	4
457	539 97 69-79	NUT	3/8"-16 hex, Nyloc	8
459	732 25 20-01	HEXAGON LOCKING NUT	M10 ISO 7040 8 ZPB	4
492	599 16 10-01	WASHER		8
493	734 11 65-41	WASHER	M8 ISO 7093 ZPB	8
495	734 11 74-41	WASHER	M10 ISO 7093 ZPB	8

**P** CRT 36  
WHEEL ASSY



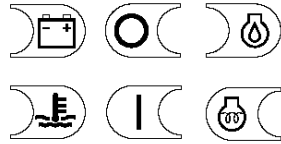
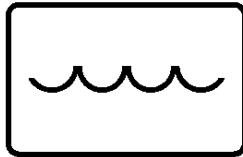
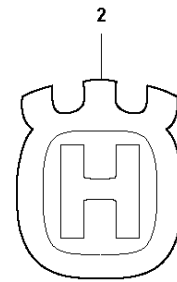
## WHEEL KIT

CRT 36

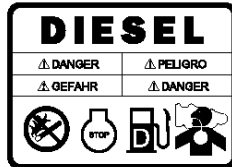
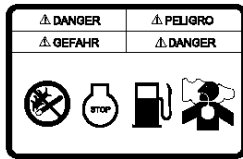
Ref	Part No	Description	Remark	QTY KIT
1	599 77 52-01	WHEEL SYSTEM		1
454	732 25 18-01	HEXAGON LOCKING NUT	M8 ISO 7040 8 ZPB	2
466	732 25 22-01	HEXAGON LOCKING NUT	M12 ISO 7040 8 ZPB	1
491	734 11 78-01	WASHER	M12 ISO 7089 200HV ZPB	1
713	599 00 77-01	WHEEL		2
714	599 03 39-01	WHEEL KIT		1
715	599 02 50-01	BRACKET		1
716	599 03 40-01	SPACER		2
717	599 03 41-01	SPACER		1
718	539 10 04-64	BOLT	HHCS 5/8"-11 UNC x4" GR5 Zn	2
719	594 97 70-01	NUT	5/8"-11 UNC GR5 Clear Zinc, Nyloc	2
721	725 24 64-51	SCREW EHHM	M8x65 ISO 4014 8.8 ZPB	2
722	599 16 09-01	SCREW		1
723	539 99 02-50	WASHER		2
724	599 17 27-01	PIN	Clevis pin 1/2"x2-3/4"	1
725	599 16 01-01	PIN	Cotter pin 3.2x25	1

**Q** CRT36, US  
DECALS

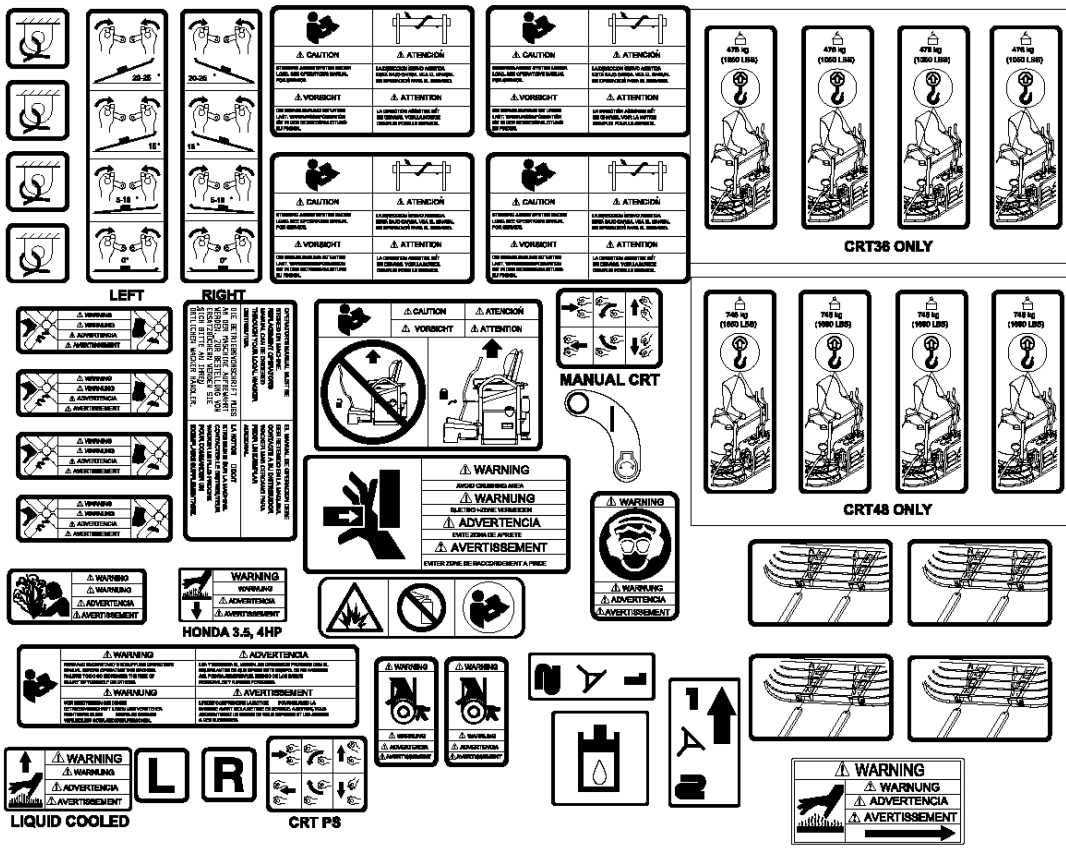
1  Husqvarna®



3 **CRT 36**



6



**LEFT**

**RIGHT**

**MANUAL CRT**

**HONDA 3.5, 4HP**

**LIQUID COOLED**

**CRT P8**

**CRT36 ONLY**

**CRT48 ONLY**

**EMISSION CONTROL INFORMATION**

**HUSQVARNA**  
THIS EQUIPMENT MEETS  
U.S. EPA EVAP STANDARDS

FAMILY: MHQCPNHEQB1

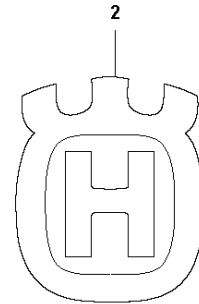
580401612

7

Ref	Part No	Description	Remark	QTY KIT
1	599 23 53-01	DECAL		2
2	599 23 47-01	DECAL		1
3	599 23 46-01	DECAL		1
4	599 04 31-01	LABEL		1
5	599 96 36-01	LABEL		2
6	599 04 73-01	LABEL		1
7	580 40 16-12	DECAL		1

**R** CRT36, EU  
DECALS

1  
Husqvarna®



3  
**CRT 36**

4

⚠ DANGER	⚠ PELIGRO
⚠ GEFAHR	⚠ DANGER

<b>DIESEL</b>	
⚠ DANGER	⚠ PELIGRO
⚠ GEFAHR	⚠ DANGER



6



8  
UK Importer: Husqvarna UK Limited  
Address: Preston road, Aycliffe  
Business Park Newton  
Aycliffe, County Durham  
UK DL5 6UP



Ref	Part No	Description	Remark	QTY KIT
1	599 23 53-01	DECAL		2
2	599 23 47-01	DECAL		1
3	599 23 46-01	DECAL		1
4	599 04 31-01	LABEL		1
5	599 96 36-01	LABEL		2
6	599 05 15-01	LABEL		1
7	588 06 16-01	DECAL		1
8	529 75 28-01	LABEL		1