

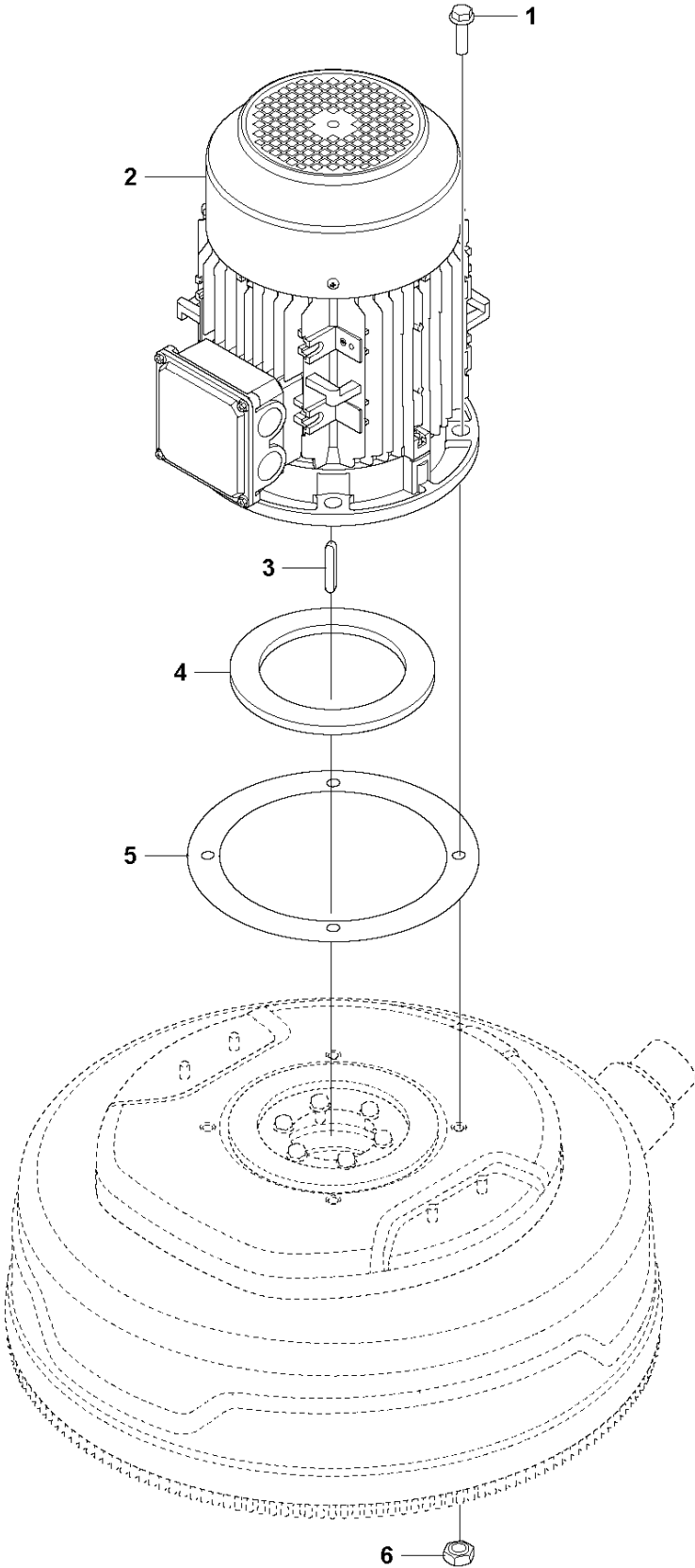


SPARE PARTS LIST

SURFACE PREPARATION EQUIPMENT

PG 540, 2020-06

A PG 540
MOTOR

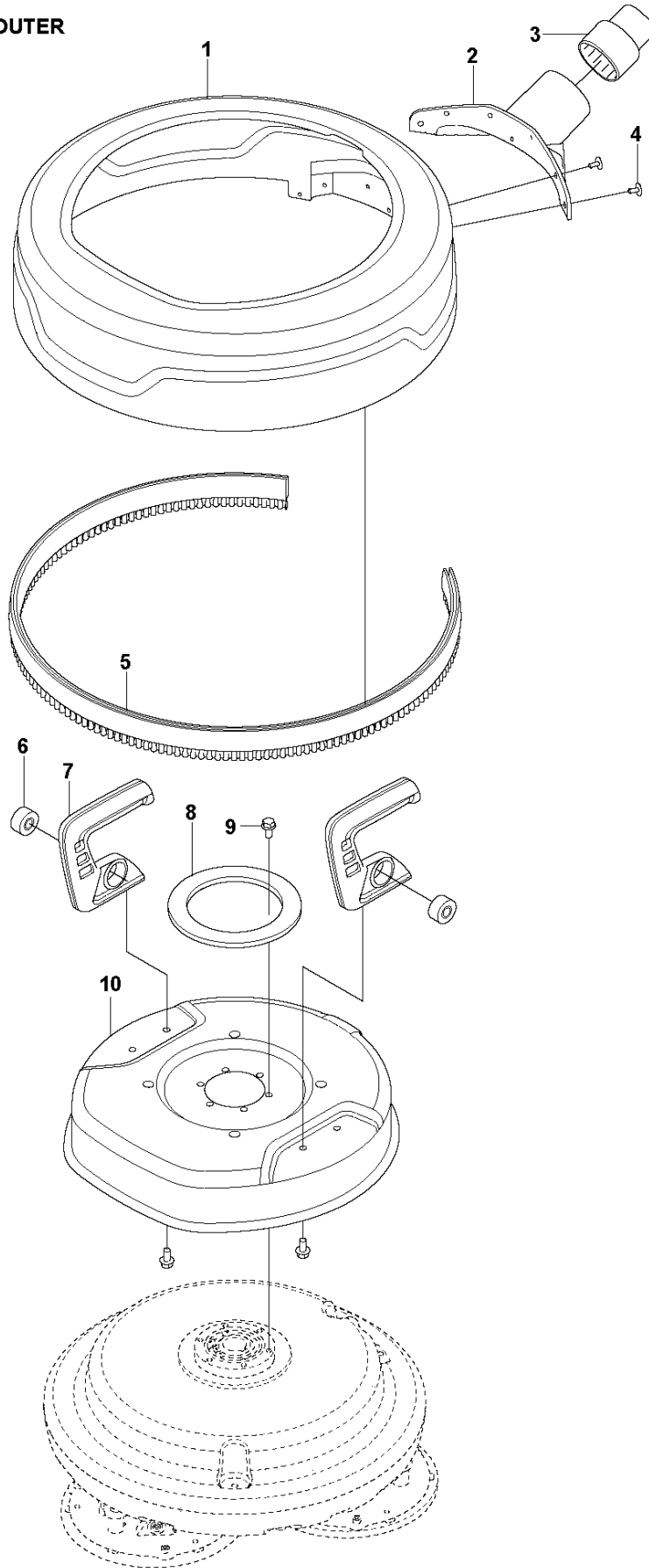


MOTOR

PG 540, 2020-06

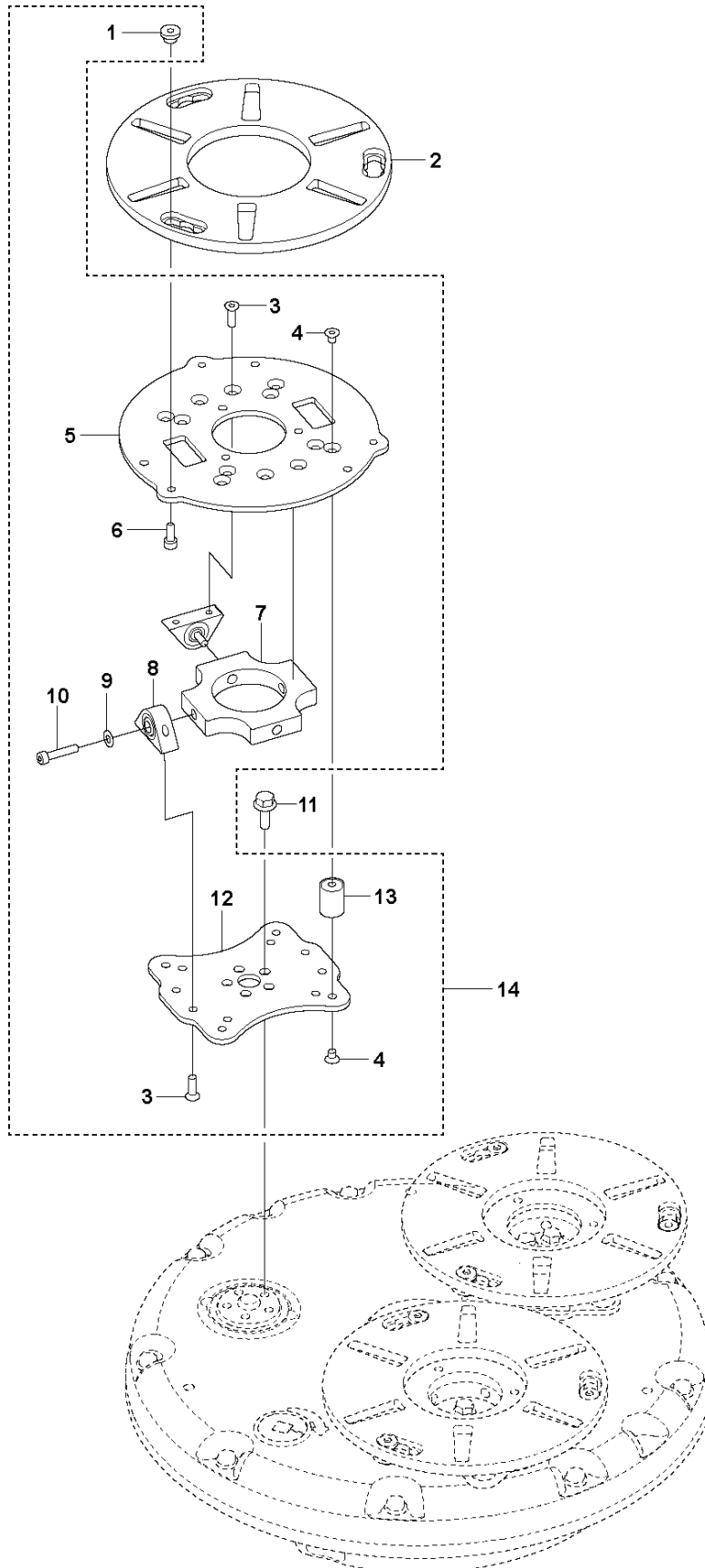
Ref	Part No	Description	Remark	QTY KIT
1	585 98 04-01	SCREW EHHFM	M10x30	4
2	595 74 79-01	MOTOR	1ph 2.2kW 50/60Hz	1
2	595 74 80-01	MOTOR	3ph 4kW 50/60Hz	1
3	593 45 37-01	WEDGE	8x7x50	1
4	595 72 34-01	MOTOR		1
5	595 76 54-03	SEAL		1
6	733 21 20-00	HEXAGON WELD NUT		4

B PG 540
GRINDING HEAD, OUTER



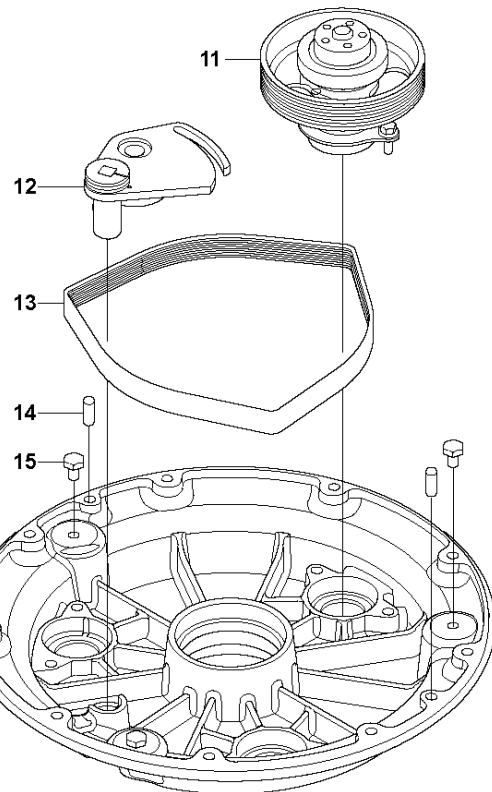
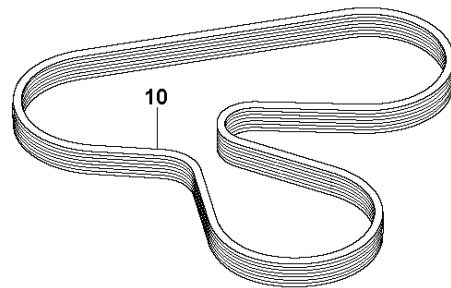
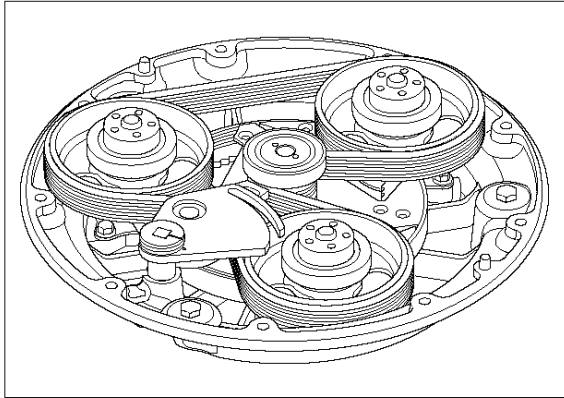
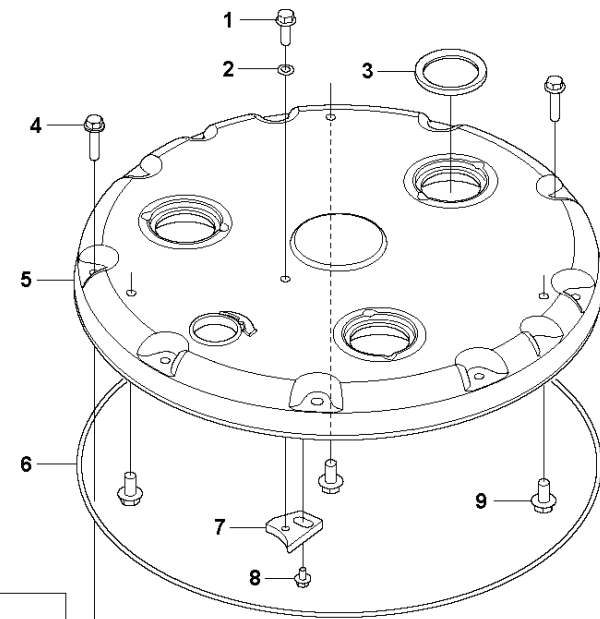
Ref	Part No	Description	Remark	QTY KIT
1	597 66 25-01	DUST COVER		1
2	593 63 19-01	NOZZLE		1
3	593 63 19-01	NOZZLE		1
4	593 51 47-01	RIVET		7
5	595 65 86-01	BRUSH		1
6	596 64 55-01	BUSHING		2
7	597 74 41-01	HANDLE		2
8	595 72 34-01	MOTOR		1
9	593 96 40-01	SCREW		10
10	597 66 24-01	DUST COVER		1

C PG 540
GRINDING HEAD, LOWER



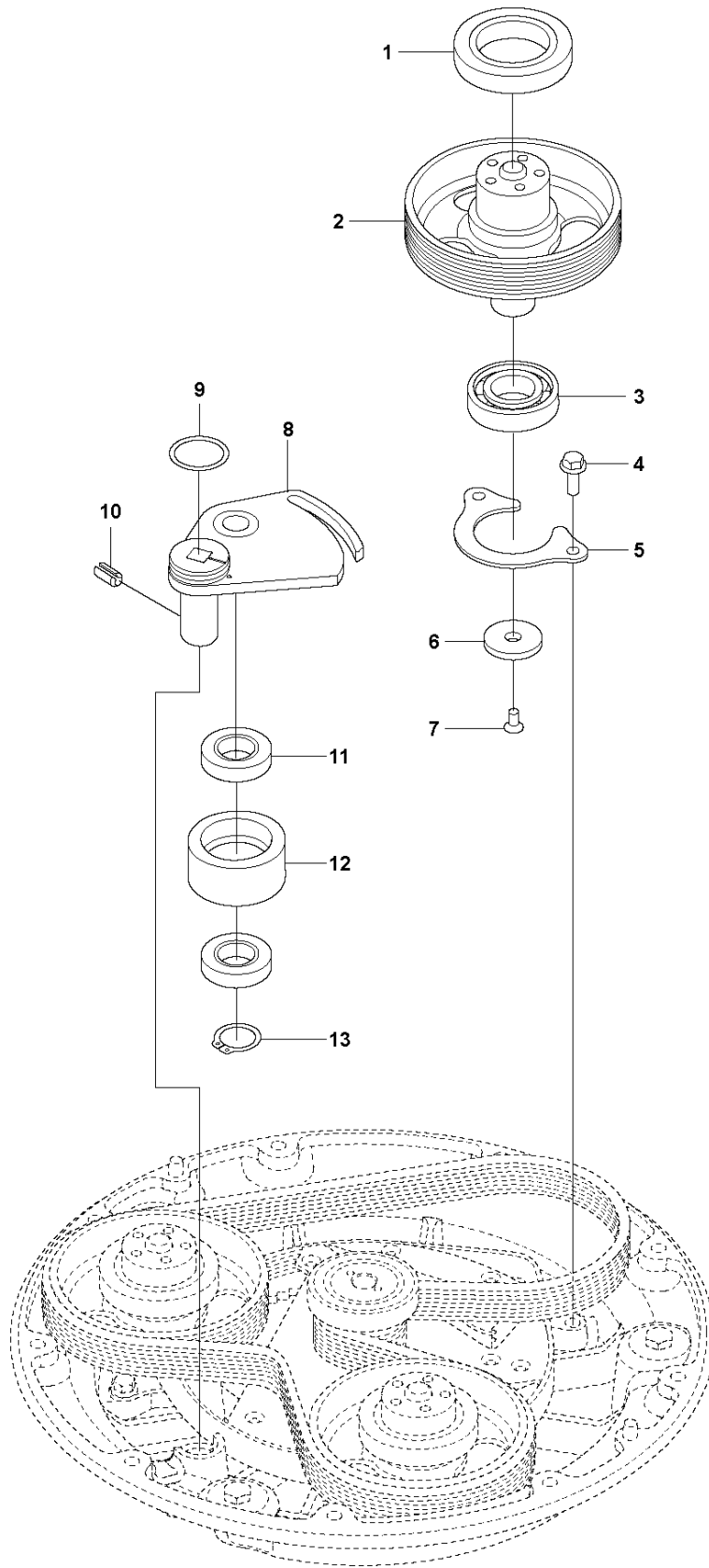
Ref	Part No	Description	Remark	QTY	KIT
1	587 45 14-01	LOCK	Head lock	3	14
2	502 54 58-01	HOLDER	Tool Holder Disc Redi Lock 3		
3	593 50 51-01	SCREW	M6x20 10.9	8	14
4	593 50 12-01	SCREW	M6x9	4	14
5	597 55 07-01	HOLDER	Grinder holder plate	1	14
6	725 53 68-56	SCREW IHSCM	M6x16 12.9 Pre-Lock	3	14
7	593 53 62-01	COUPLING	Cardan Connection	1	14
8	593 61 65-01	BUSHING	Ear cardan	4	14
9	593 49 91-01	WASHER	Washer M10	4	14
10	593 68 11-01	BOLT	M10X35	4	14
11	506 57 01-04	SCREW EHHFM	M8x20	5	
12	597 55 06-01	HOLDER	Upper Holder Plate	1	14
13	593 43 88-01	ABSORBER	20x25 M6	4	14
14	597 81 97-01	HOLDER ASSY	PG540 with head locks	3	

D PG 540
GRINDING HEAD INTERNAL



Ref	Part No	Description	Remark	QTY KIT
1	506 57 01-05	SCREW EHHFM	M8X25	1
2	595 68 33-01	WASHER	8,4x16x1,6 - Copper	1
3	595 66 67-01	SHAFT	50x64x6	3
4	595 68 10-01	SCREW	M8x35	9
5	595 76 22-02	HOUSING	Bottom 540/T5/510	1
6	595 66 70-01	O-RING	O-Ring 540/T5/510	1
7	595 76 33-01	TENSIONER	Locking plate	1
8	595 68 34-01	SCREW	M6SF M6X10 8.8 DIN 6921	1
9	593 51 48-01	SCREW	M6SF M10x20 DRI SEAL	3
10	595 66 55-01	BELT	Primary Belt 540/T5/510	1
11	595 71 60-01	SHAFT	Complete Pulley 540/T5/510	3
12	595 71 58-01	TENSIONER	Belt Tensioner 540/T5/510	1
13	595 66 56-01	BELT	Secondary Belt 540/T5/510	1
14	595 68 32-01	PIN	10x26	2
15	595 68 09-01	SCREW	M10X12	3
16	595 76 23-02	HOUSING	Upper 540/T5/510	1

E PG 540
IDLER PULLEY ASSY

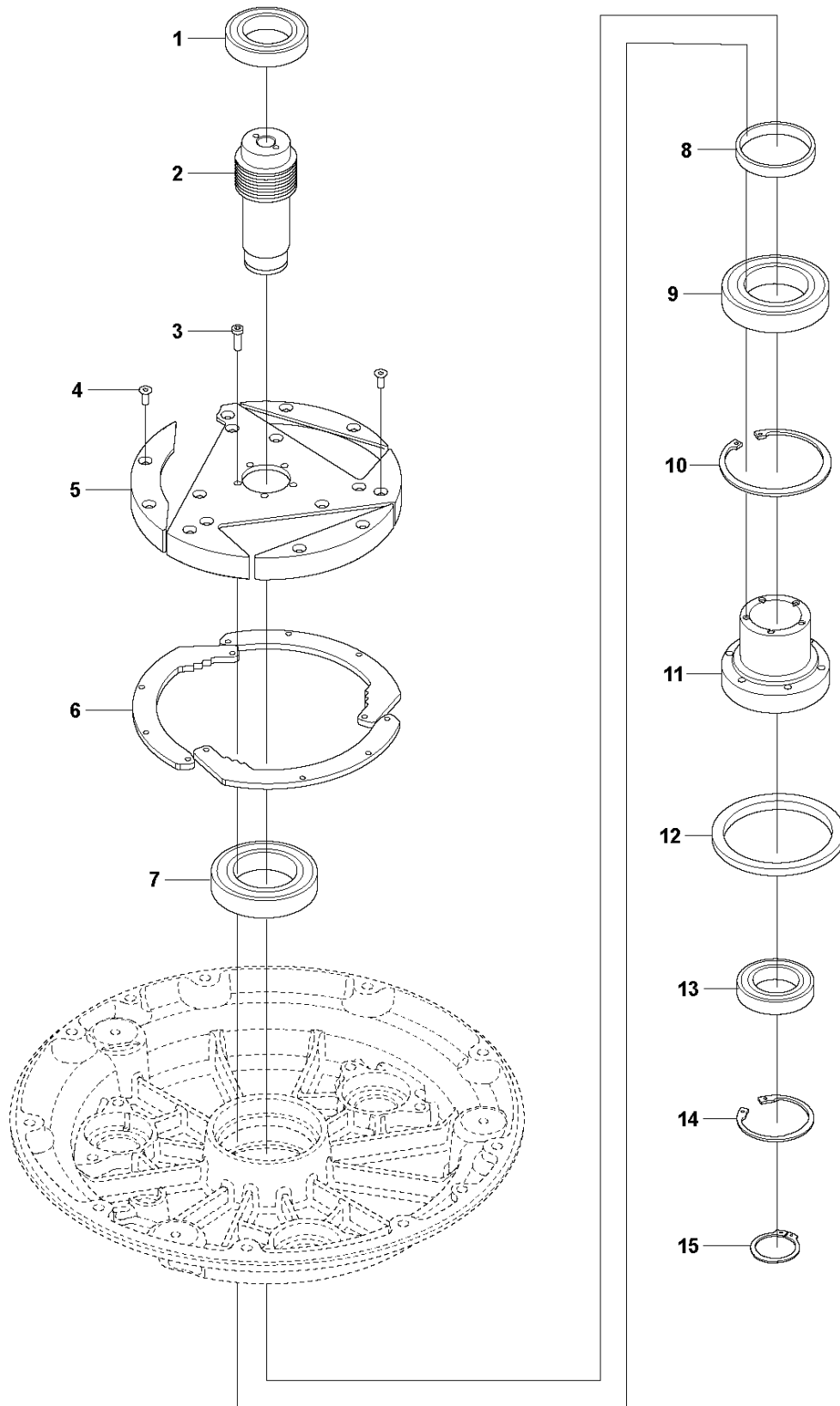


IDLER PULLEY ASSY

PG 540, 2020-06

Ref	Part No	Description	Remark	QTY KIT
1	595 66 64-01	BALL	6010	3
2	595 76 24-02	SHAFT	540/T5/510	3
3	595 66 65-01	BALL	6206	3
4	506 57 01-04	SCREW EHHFM	M8x20	6
5	595 76 32-01	WASHER	540/T5/510	3
6	595 71 59-01	WASHER	Washer T5	3
7	598 92 13-01	SCREW	M8x16	3
9	593 48 78-01	O-RING	34.2x3	1
8	595 71 58-01	TENSIONER	540/T5/510	1
10	595 68 11-01	SPRING	10x20	1
11	595 66 66-01	BALL	6005-2Z C3	1
12	595 76 26-01	PULLEY	540/T5/510	1
13	593 49 68-01	CIRCLIP	25X1.2, External	1

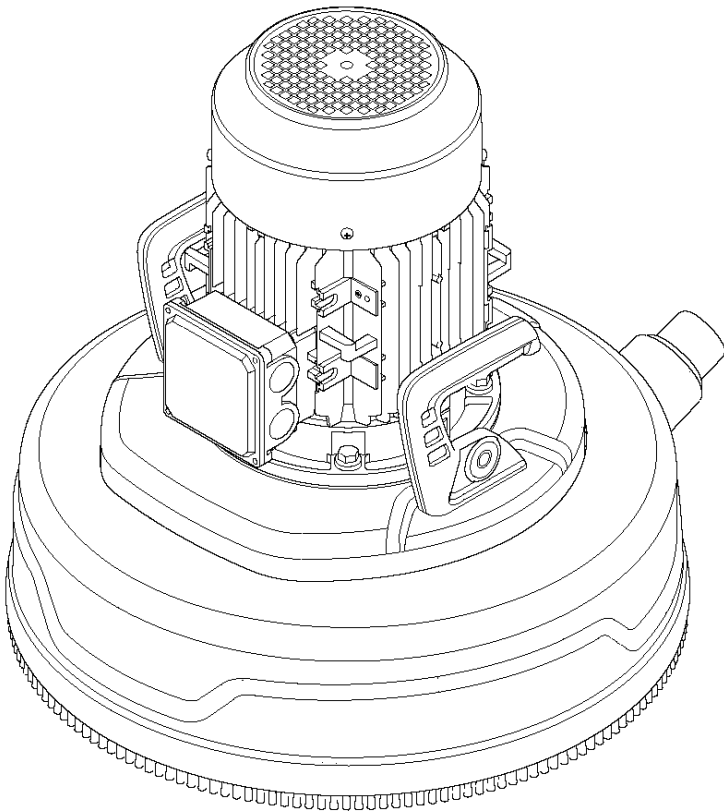
F PG 540
CENTER HUB ASSY



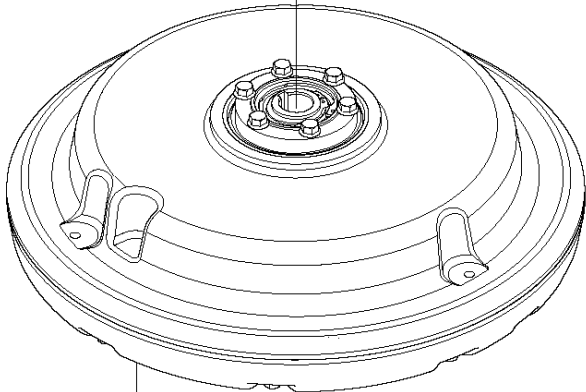
Ref	Part No	Description	Remark	QTY KIT
1	595 66 62-01	BALL	6009-2Z C3	1
2	595 76 31-02	PULLEY	T5/510	1
3	593 51 42-01	SCREW	M6x20	5
4	593 50 96-01	SCREW	M6x12	12
5	595 76 27-01	PULLEY	T5/510	1
6	596 64 57-01	PLATE	T5/510	3
7	595 66 61-01	BALL	6013-2RS	2
8	595 71 31-01	SPACER	T5/510	1
9	595 66 61-01	BALL	6013-2RS	2
10	593 50 30-01	CIRCLIP	100x3, internal	1
11	595762801	TBD	T5/510	1
12	595 66 68-01	SHAFT	T5/510	1
13	595 66 63-01	BALL	6008-2Z C3	1
14	593 49 86-01	CIRCLIP	40x1.75, external	1
15	593 51 32-01	CIRCLIP	68x2.5, internal	1

G PG 540
GRINDING HEAD

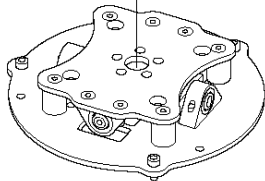
1



2



3

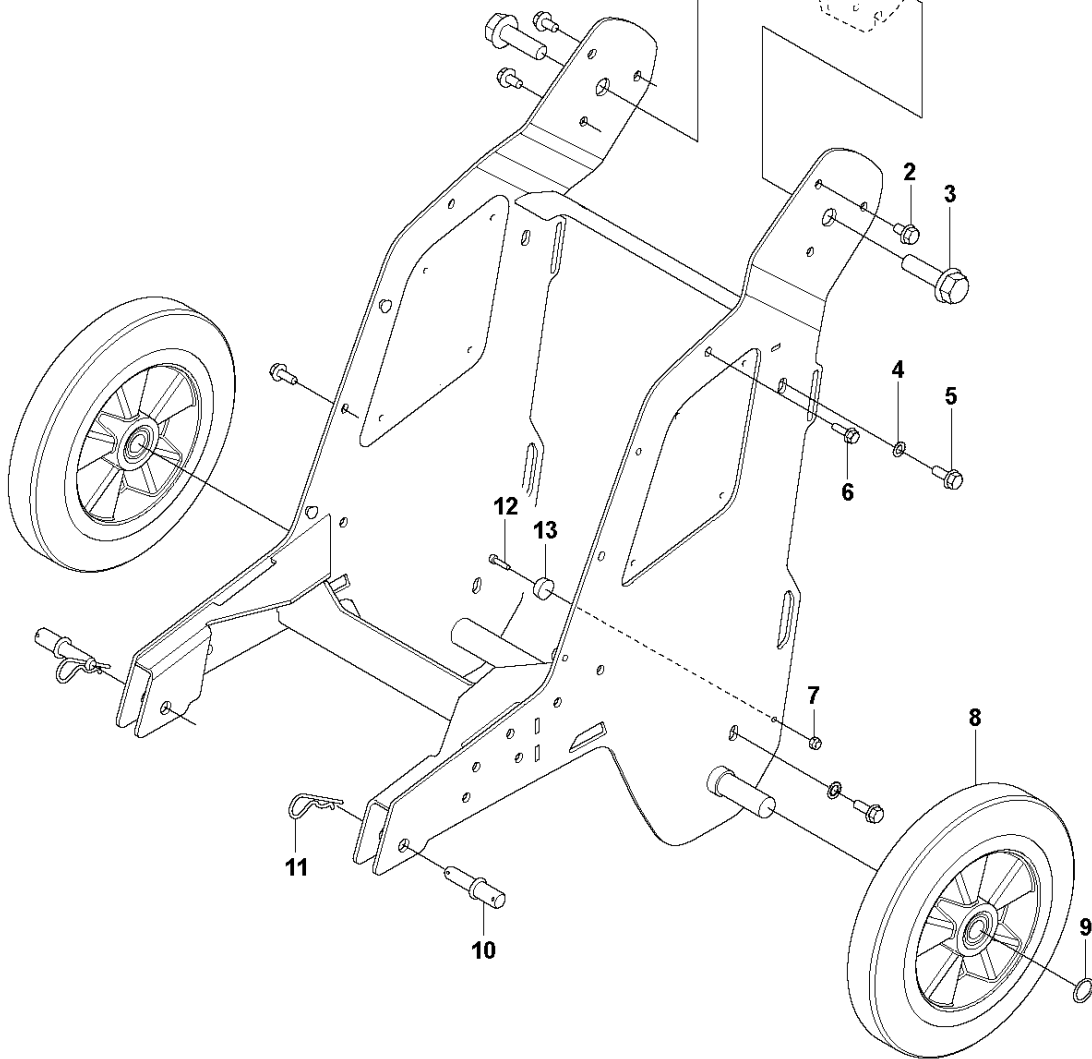
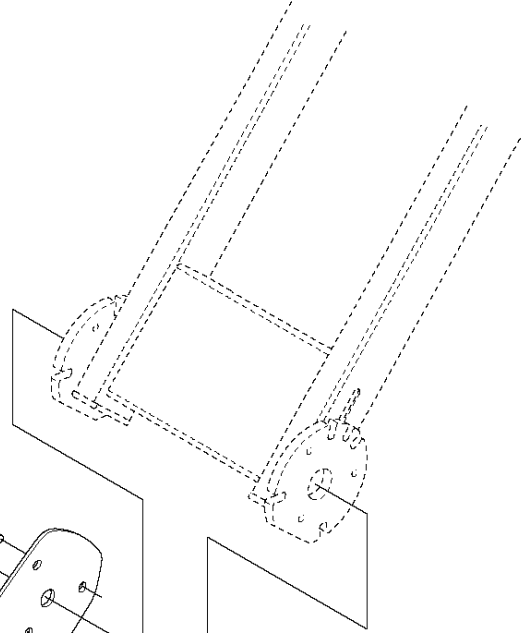
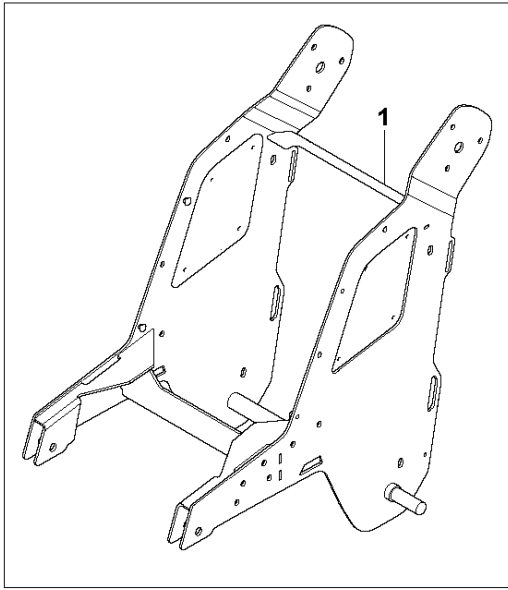


GRINDING HEAD

PG 540, 2020-06

Ref	Part No	Description	Remark	QTY KIT	
1	597 74 23-01	GRINDING HEAD	incl Motor, Shroud & Tool Holders	1	
2	595 72 28-01	GRINDING HEAD	excl Motor, Shroud & Tool Holders	1	1
3	597 81 97-01	HOLDER ASSY	CPL Tool Holder, Head Locks	3	1

H PG 540
CHASSIS

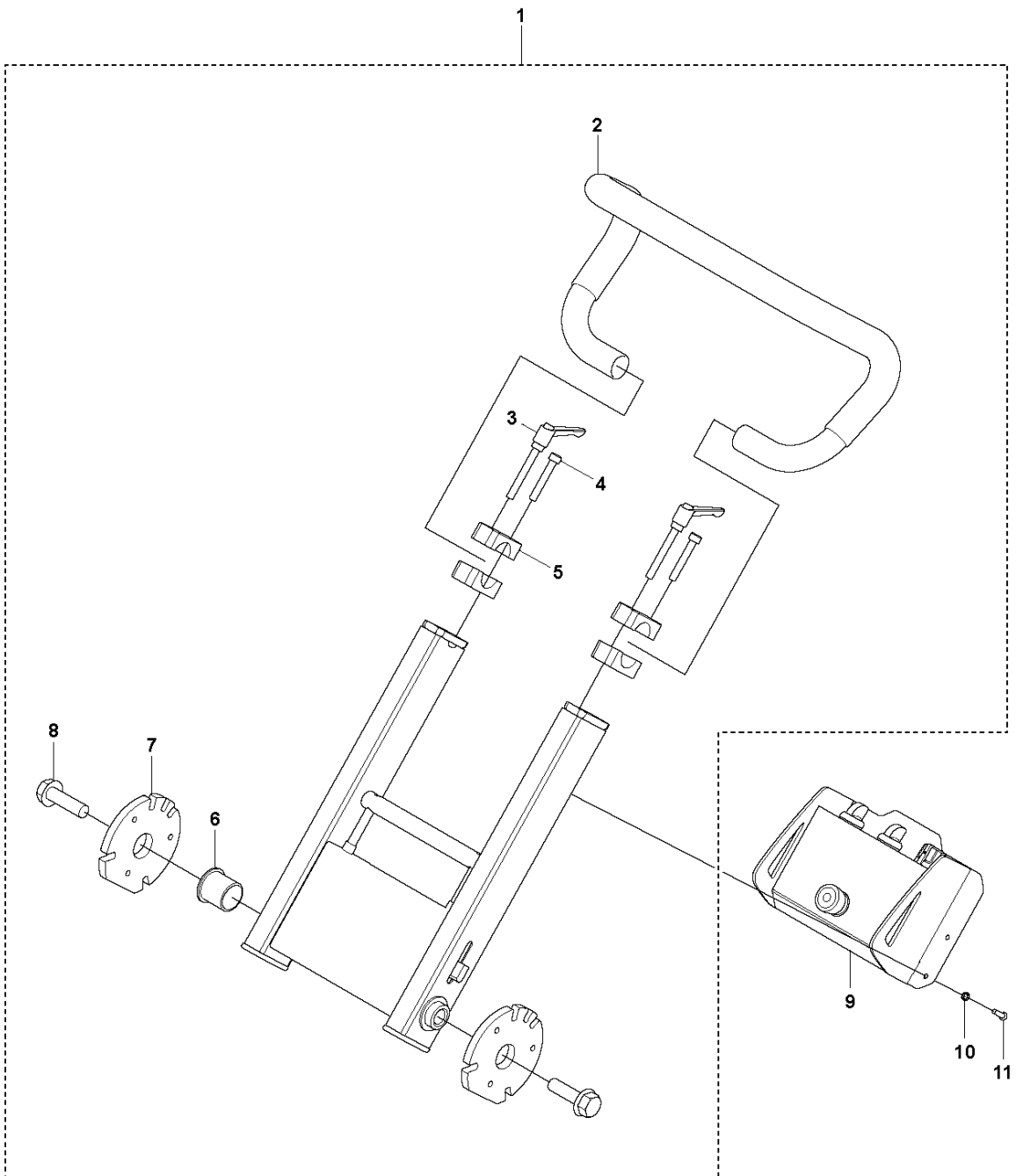


CHASSIS

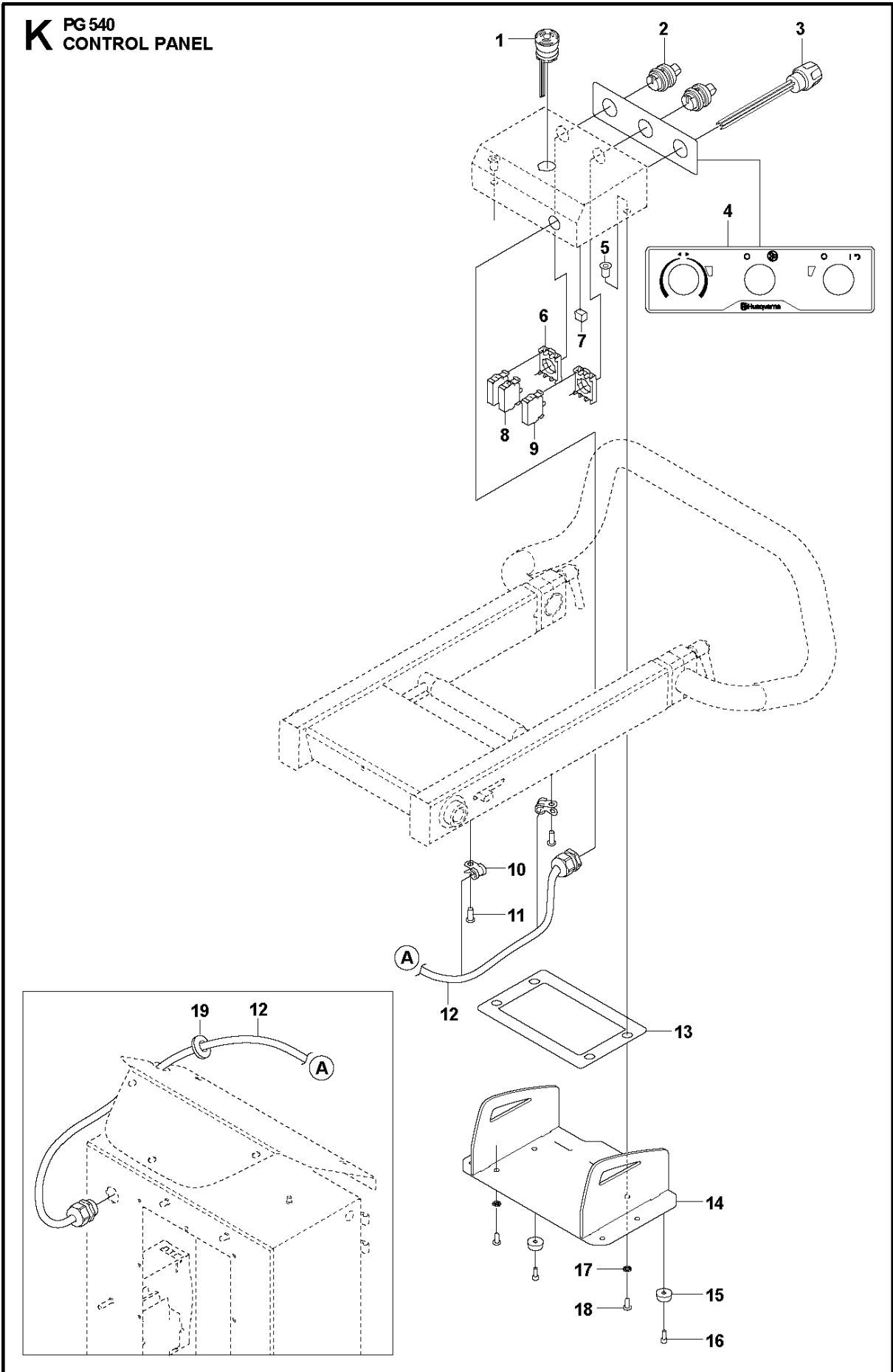
PG 540, 2020-06

Ref	Part No	Description	Remark	QTY KIT
1	597 14 41-01	CHASSIS	Chassi weld assy	1
2	598 01 57-01	SCREW	M8x14 Pre-Lock	6
3	582 64 48-01	BOLT	M16x50	2
4	593 51 11-01	LOCKWASHER	Serrated	2
5	506 57 01-04	SCREW EHHFM	DIN 6921	2
6	586 12 02-01	SCREW EHHFM	M 6 X 20 8.8 ZPB	4
7	732 21 12-01	LOCK NUT	M4 Lock Nut	1
8	590 72 67-01	WHEEL	250mm	2
9	735 31 22-01	CIRCLIP	20x1.2, external	2
10	595 76 34-01	AXLE		2
11	721 68 02-51	SPRING COTTER		2
12	725 52 91-01	SCREW IHSCM	M4x12	1
13	516 05 96-01	BUMPER	Rubber Stop	1

J PG 540
FRAME, UPPER

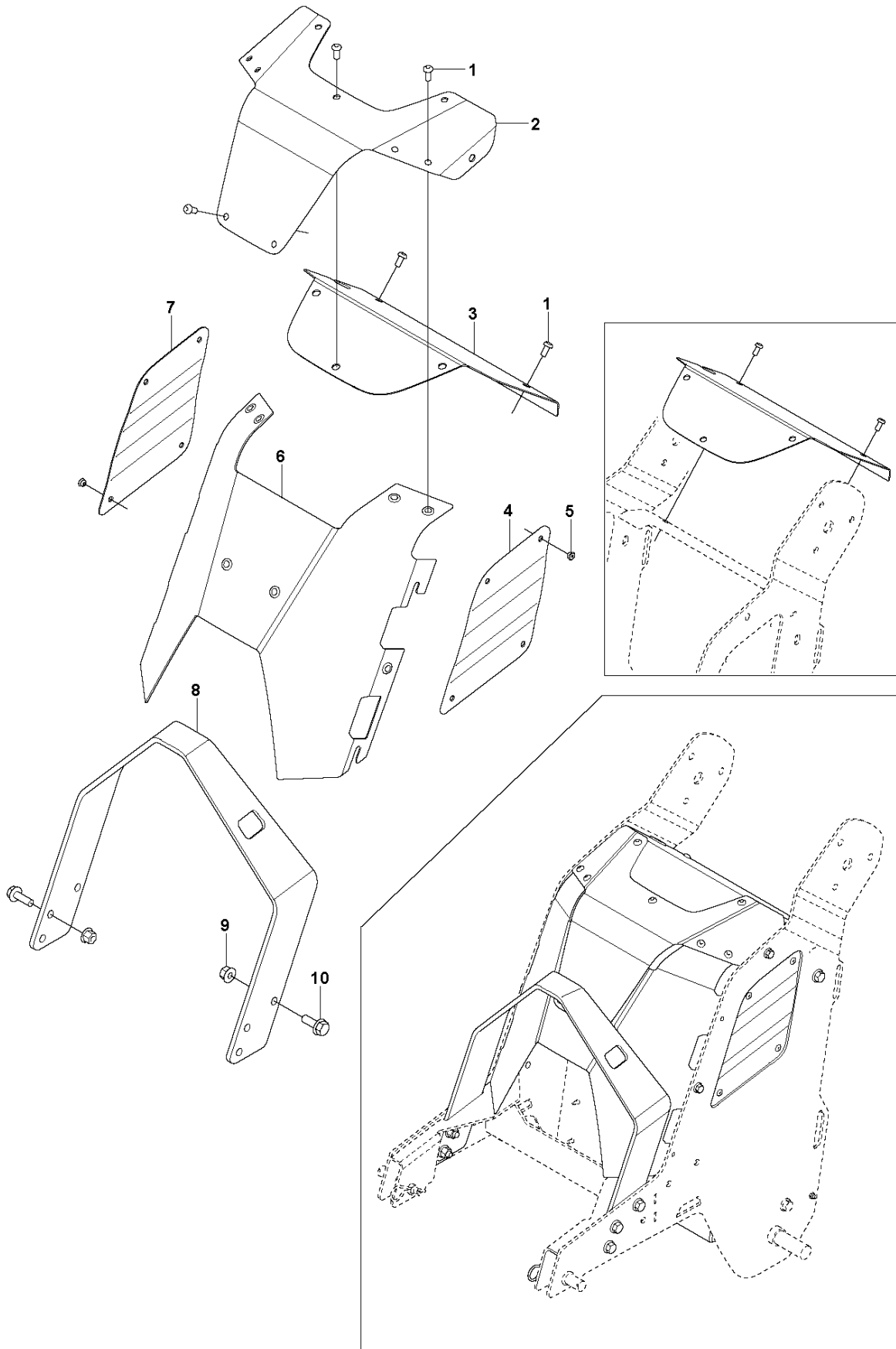


Ref	Part No	Description	Remark	QTY	KIT
1	597 91 98-01	HANDLEBAR ASSY	CPL	1	
2	597 13 44-01	HANDLEBAR	Grip	1	
3	597 68 54-01	ADJUSTMENT LEVER		2	2
4	725 54 61-01	SCREW IHSCM	M8x50	2	2
5	597 54 38-01	CLAMP		4	
6	593 48 62-01	BEARING	30x42x35, flanged	2	
7	597 92 03-01	ADJUSTMENT DISC		2	
8	582 64 48-01	BOLT	M16x50	2	
9	599 77 19-01	CONTROL PANEL	HMI Assy	1	
10	735 21 53-01	LOCKWASHER	6.4x11x0.7	4	
11	531 11 94-26	SCREW	M6x16x10.9	4	

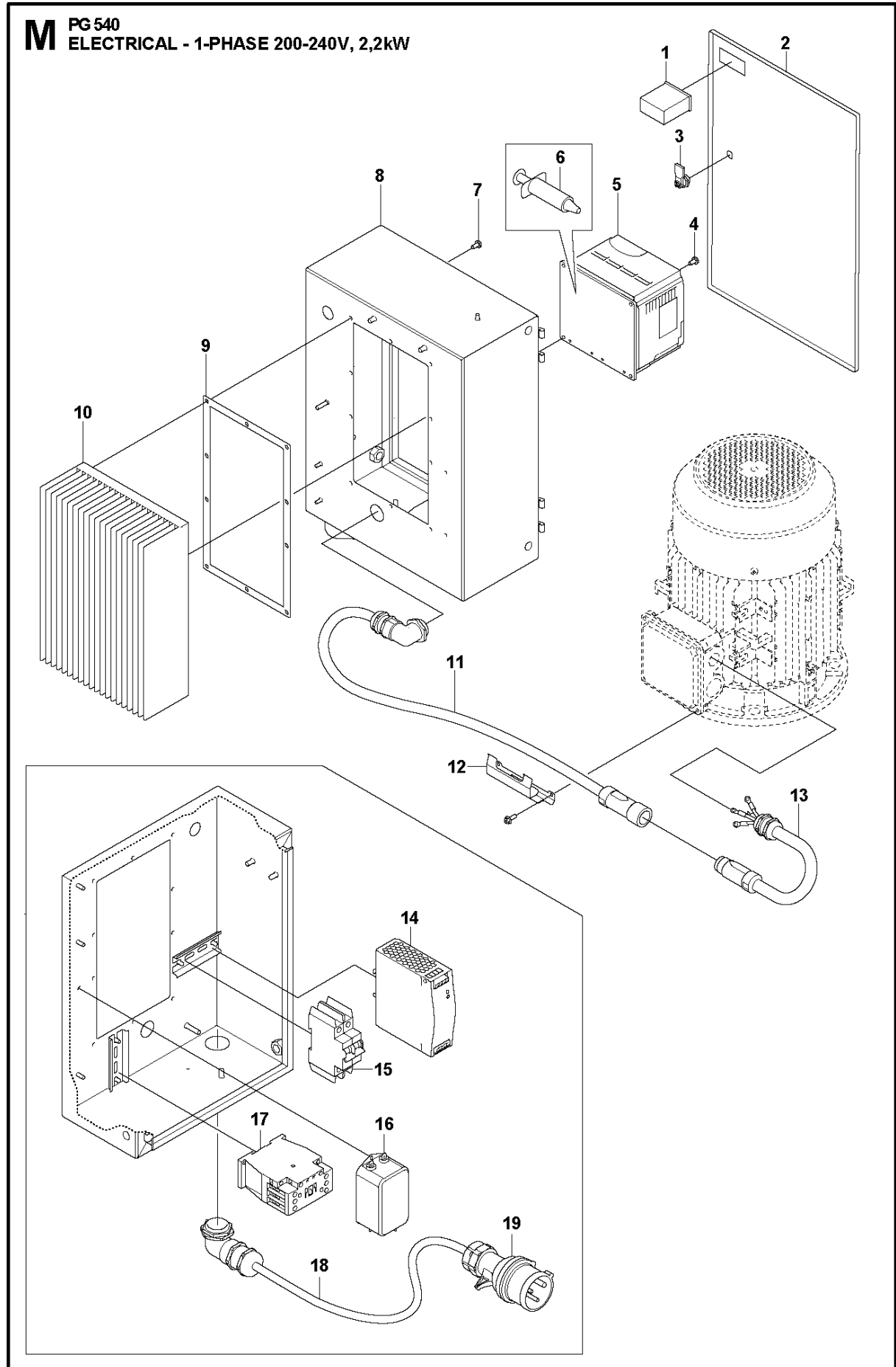


Ref	Part No	Description	Remark	QTY KIT
1	598 55 74-01	SWITCH		1
2	598 53 98-01	SWITCH		1
3	587 28 36-01	SWITCH		1
4	598 55 80-01	STICKER	HMI Decal	1
5	597 97 82-01	RIVET	M5 Rivet Nut	4
6	598 53 95-01	SWITCH	Switch Holder	2
7	598 74 58-01	REGULATOR	DC/DC converter	1
8	598 54 00-01	SWITCH		2
9	598 55 70-01	SWITCH		1
10	589 66 91-02	CLIP	P-clip	2
11	531 11 94-26	SCREW	M6x16 10.9	2
12	598 68 64-01	CABLE		1
13	598 42 95-01	GASKET	Gasket, HMI	1
14	597 66 23-01	BRACKET	Holder, HMI	1
15	516 05 96-01	BUMPER	Rubber Stop	1
16	725 52 91-56	SCREW IHSCM	M4x12	1
17	735 21 46-01	LOCKWASHER	5.3x10	4
18	593 50 91-01	SCREW	M5x12	4
19	598 55 79-01	FITTING	Rubber Seal	1

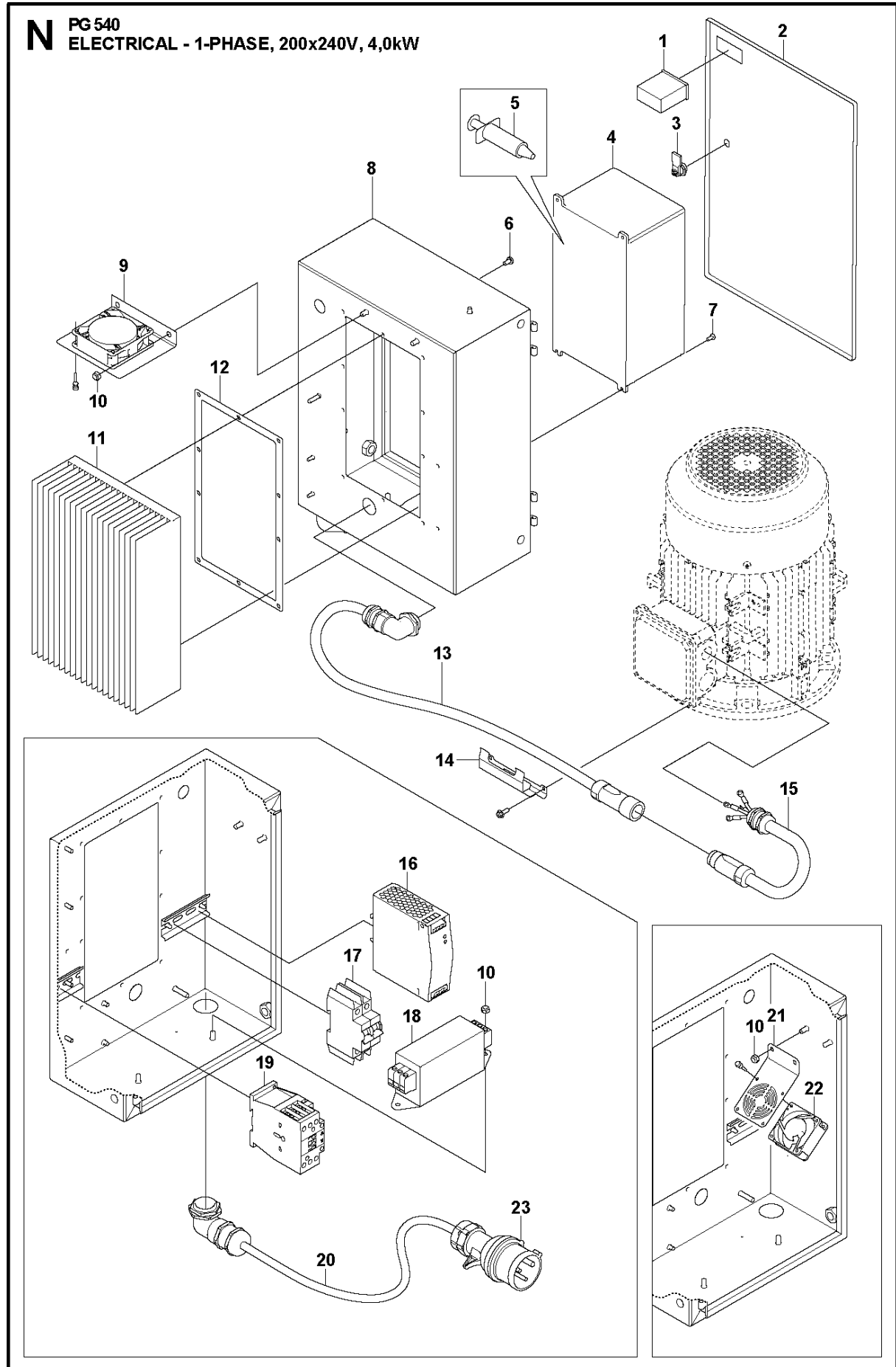
L PG 540
FRAME, LOWER



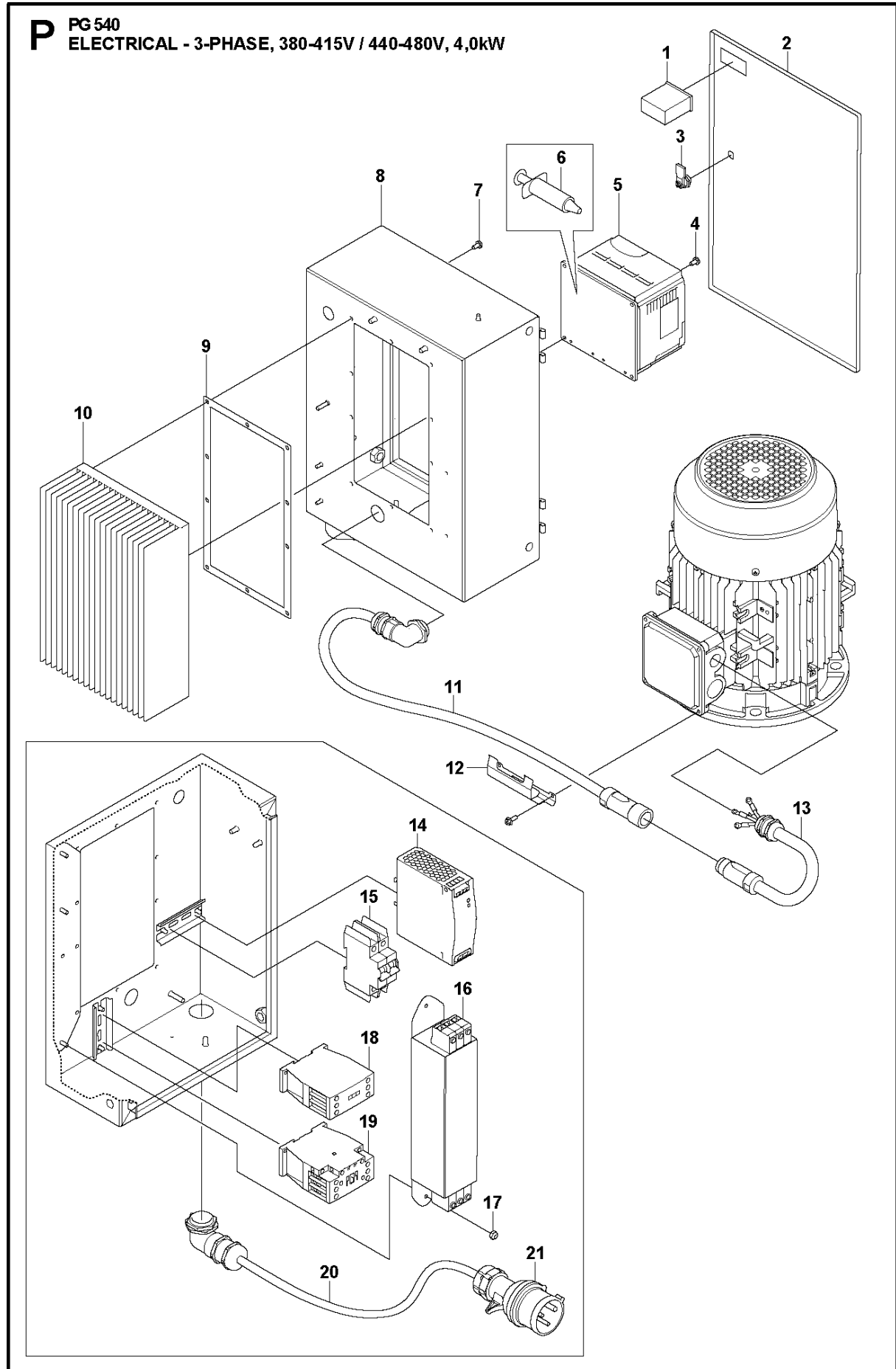
Ref	Part No	Description	Remark	QTY KIT
1	531 11 94-26	SCREW	M6x16 10.9	9
2	597 14 43-01	COVER		1
3	597 14 44-01	COVER		1
4	597 20 96-02	COVER	Left	1
5	722 78 70-03	BLIND RIVET	4.8x11.2	8
6	597 14 42-01	FRONT COVER		1
7	597 20 96-01	COVER	Right	1
8	597 47 00-01	LIFTING ARM		1
9	576 64 57-04	NUT FLANGE	M8 Nylon Lock Nut	12
10	506 57 01-05	SCREW EHHFM	M8x25	7



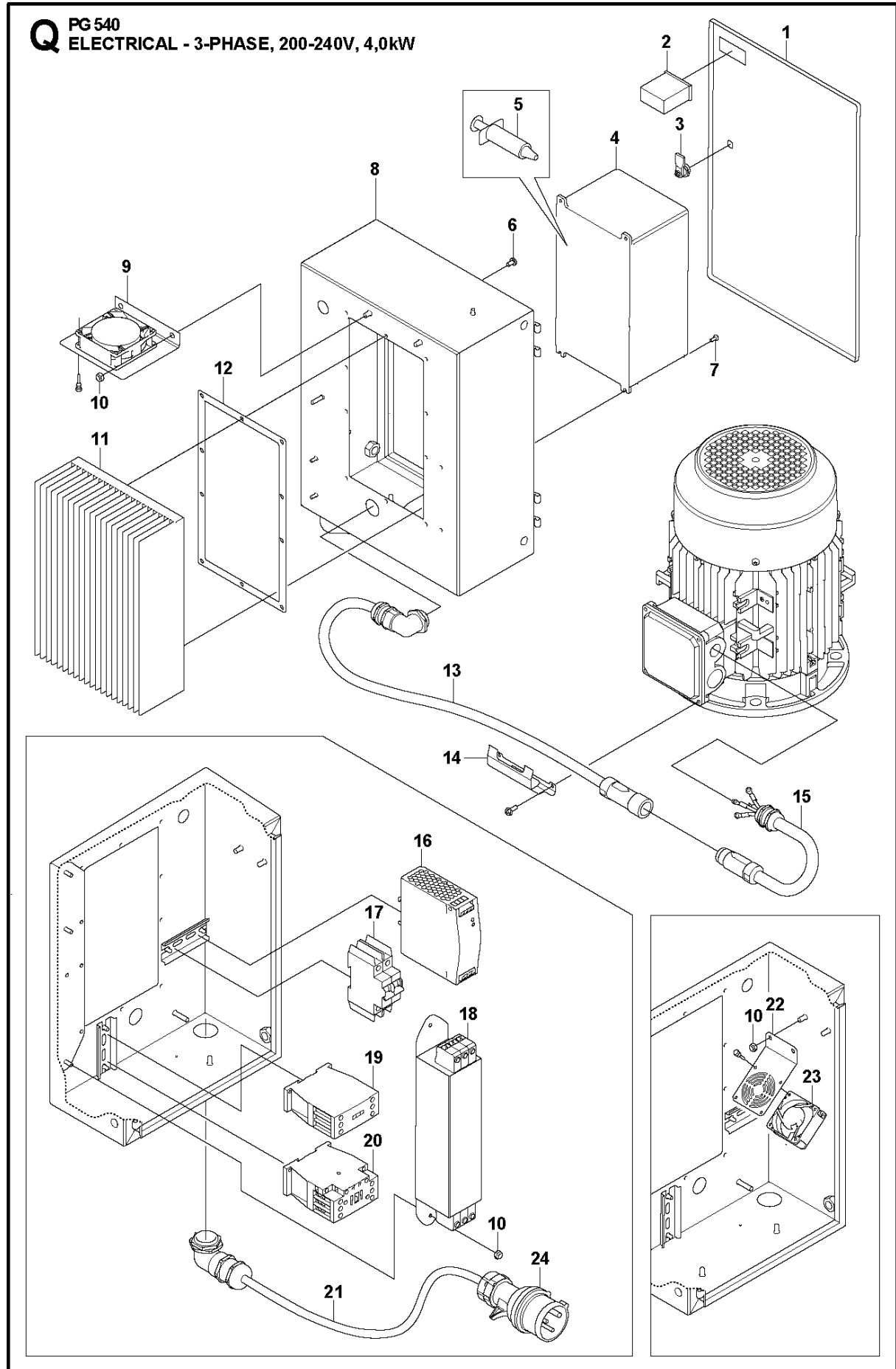
Ref	Part No	Description	Remark	QTY KIT
1	598 53 81-01	HOUR METER		1
2	599 66 93-01	DOOR	Door incl. Locks and hinges	1
3	599 66 96-01	LOCK ASSY		1
4	595 68 21-01	SCREW	M5x12	4
5	595 74 71-01	FREQUENCY INVERTER	1x200V 2,2kW	1
6	597 25 59-01	HEAT SINK		1
7	595 68 22-01	SCREW	M5x10	8
8	598 02 52-01	ELECTRONIC BOX	Cabinet Structure	1
9	597 63 53-01	HOUSING	Gasket Heatsink PG 540	1
10	595 76 50-01	HEAT SINK	2,2kW-4kW	1
11	595 73 10-01	CABLE	Motor Cable 16A Female	1
12	597 62 01-01	CLIP	Cable Clip	1
13	597 60 72-01	CABLE ASSY	Motor Cable 16A Male	1
14	595 74 74-01	POWER SUPPLY	24VDC 120W	1
15	593 56 01-01	CIRCUIT BREAKER	2-P 5A	1
16	595 74 76-01	FILTER	1x200V 16A	1
17	593 55 93-01	CONTACTOR	18A 24VDC	1
18	597 63 28-01	CABLE	Power cable 2,5mm ²	1
19	595 74 78-01	PLUG	1x200V 16A 3 PIN CEE	1
19	504 75 38-01	PLUG	1x200V 15A AUS Clipsal	1



Ref	Part No	Description	Remark	QTY KIT
1	598 53 81-01	HOUR METER		1
2	599 66 93-01	DOOR	Door incl. Locks and hinges	1
3	599 66 96-01	LOCK ASSY		1
4	595 74 72-01	FREQUENCY INVERTER	1x200V 4kW	1
5	597 25 59-01	HEAT SINK		1
6	595 68 22-01	SCREW	M5x10	8
7	595 68 21-01	SCREW	M5x12	4
8	598 02 52-01	ELECTRONIC BOX	Cabinet Structure	1
9	595 73 07-01	FAN	24VDC, incl mount rubber. Heatsink	1
10	59350001	TBD	M6	6
11	595 76 50-01	HEAT SINK	2,2kW-4kW	1
12	597 63 53-01	HOUSING	Gasket Heatsink PG 540	1
13	595 73 10-01	CABLE	Motor Cable 16A Female	1
14	597 62 01-01	CLIP	Cable Clip	1
15	597 60 72-01	CABLE ASSY	Motor Cable 16A Male	1
16	595 74 74-01	POWER SUPPLY	24VDC 120W	1
17	593 56 01-01	CIRCUIT BREAKER	2-P 5A	1
18	593 55 99-01	FILTER	3x200-520V - 30A	1
19	593 55 93-01	CONTACTOR	18A 24VDC	1
20	597 63 28-01	CABLE	Power cable 2,5mm ²	1
21	595 71 08-01	MOUNT	Fan internal Cabinet	1
22	595 74 44-01	FAN	24VDC Internal Cabinet	1
23	598 44 84-01	PLUG	3x200-240V 20A Hubbel	1



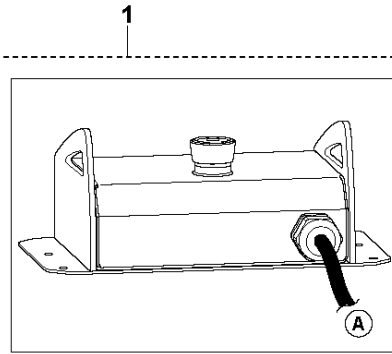
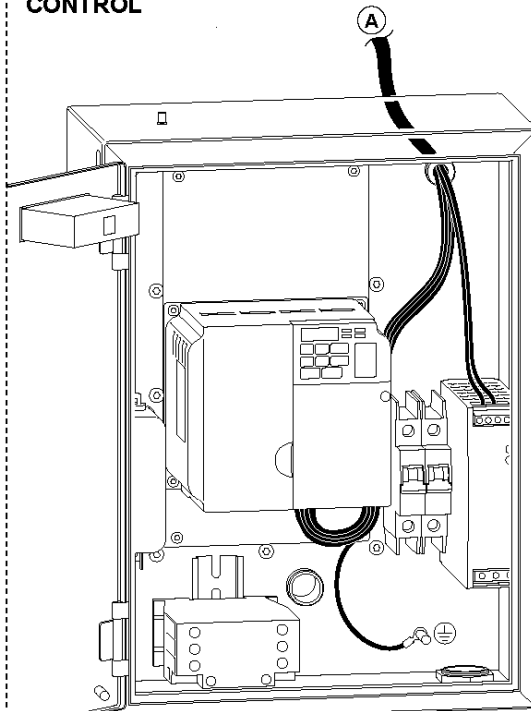
Ref	Part No	Description	Remark	QTY KIT
1	598 53 81-01	HOUR METER		1
2	599 66 93-01	DOOR	Door incl. Locks and hinges	1
3	599 66 96-01	LOCK ASSY		1
4	595 74 73-01	FREQUENCY INVERTER	3x400V 4kW	1
5	597 25 59-01	HEAT SINK		1
6	595 68 22-01	SCREW	M5x10	8
7	595 68 21-01	SCREW	M12x12	4
8	598 02 52-01	ELECTRONIC BOX	Cabinet Structure	1
9	597 63 53-01	HOUSING	Gasket heatsink PG 540	1
10	595 76 50-01	HEAT SINK	2,2kW-4kW	1
11	595 73 10-01	CABLE	Motor Cable 16A Female	1
12	597 62 01-01	CLIP	Cable Clip	1
13	597 60 72-01	CABLE ASSY	Motor Cable 16A Male	1
14	595 74 74-01	POWER SUPPLY	24VDC 120W	1
15	593 56 01-01	CIRCUIT BREAKER	2-P 5A	1
16	595 74 75-01	FILTER	EMC-filter 3x200-480V 16A	1
17	59350001	TBD	LOCK NUT M6	6
18	598 52 63-01	SENSOR	Phase/Voltage monitor	1
19	593 55 93-01	CONTACTOR	18A 24VDC	1
20	597 63 28-01	CABLE	Power cable 2,5mm ²	1
21	593 58 47-01	PLUG	3x380-415V 16A EU	1
21	502 54 40-01	PLUG	3x380-415V 32A AUS	1



Ref	Part No	Description	Remark	QTY KIT
2	598 53 81-01	HOUR METER		1
1	599 66 93-01	DOOR	Door incl. Locks and hinges	1
3	599 66 96-01	LOCK ASSY		1
4	598 43 56-01	ROTOR	3x200V 4kW	1
5	597 25 59-01	HEAT SINK		1
6	595 68 22-01	SCREW	M5x10	8
7	595 68 21-01	SCREW	M5x12	4
8	598 02 52-01	ELECTRONIC BOX	Cabinet Structure	1
9	595 73 07-01	FAN	24VDC, incl mount rubber. Heatsink	1
10	59350001	TBD	LOCK NUT M6	6
11	595 76 50-01	HEAT SINK	2,2kW-4kW	1
12	597 63 53-01	HOUSING	Gasket heatsink PG520	1
13	595 73 10-01	CABLE	Motor Cable 16A Female	1
14	597 62 01-01	CLIP	Cable Clip	1
15	597 60 72-01	CABLE ASSY	Motor Cable 16A Male	1
16	595 74 74-01	POWER SUPPLY	24VDC 120W	1
17	593 56 01-01	CIRCUIT BREAKER	2-P 5A	1
18	593 55 99-01	FILTER	3x200-520V - 30A	1
19	598 53 88-01	SENSOR	Phase/Voltage monitor 200-240V	1
20	593 55 93-01	CONTACTOR	18A 24VDC	1
21	597 63 28-01	CABLE	Power cable 2,5mm ²	1
22	595 71 08-01	MOUNT	Plate for 60mm fan	1
23	595 74 44-01	FAN	24VDC Internal Cabinet	1
24	598 44 84-01	PLUG	3x200-240V 20A Hubbel	1

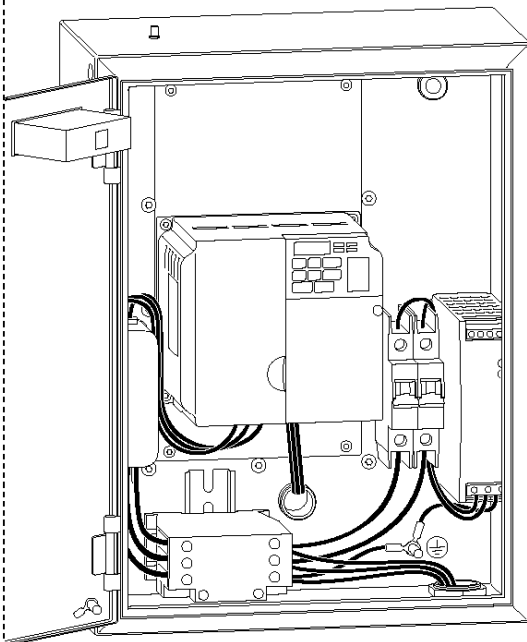
R PG 540
ELECTRICAL WIRING - 1-PHASE 200-240V, 2,2kW

CONTROL



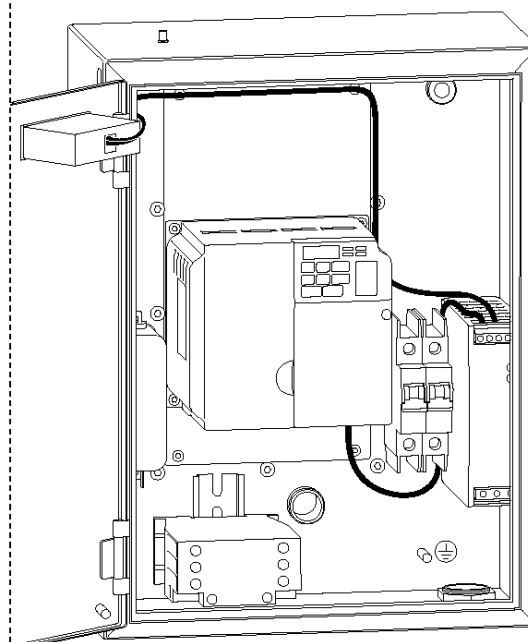
2

POWER



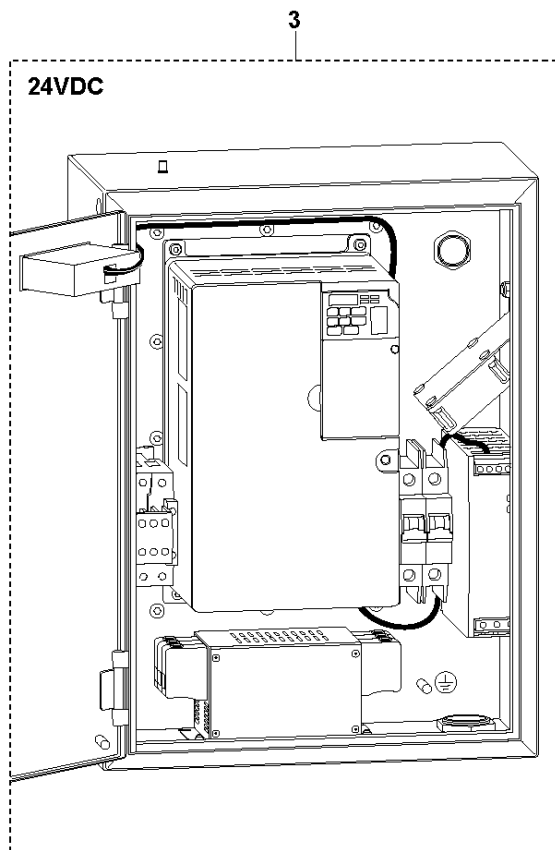
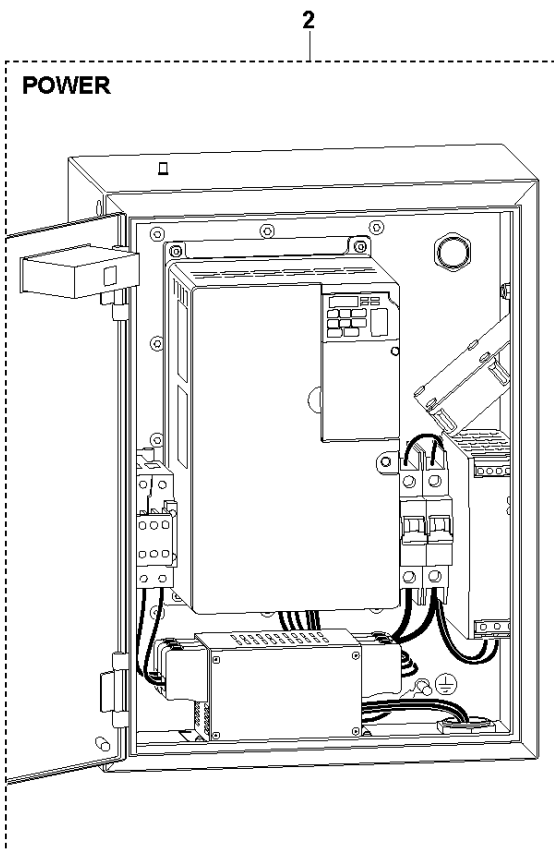
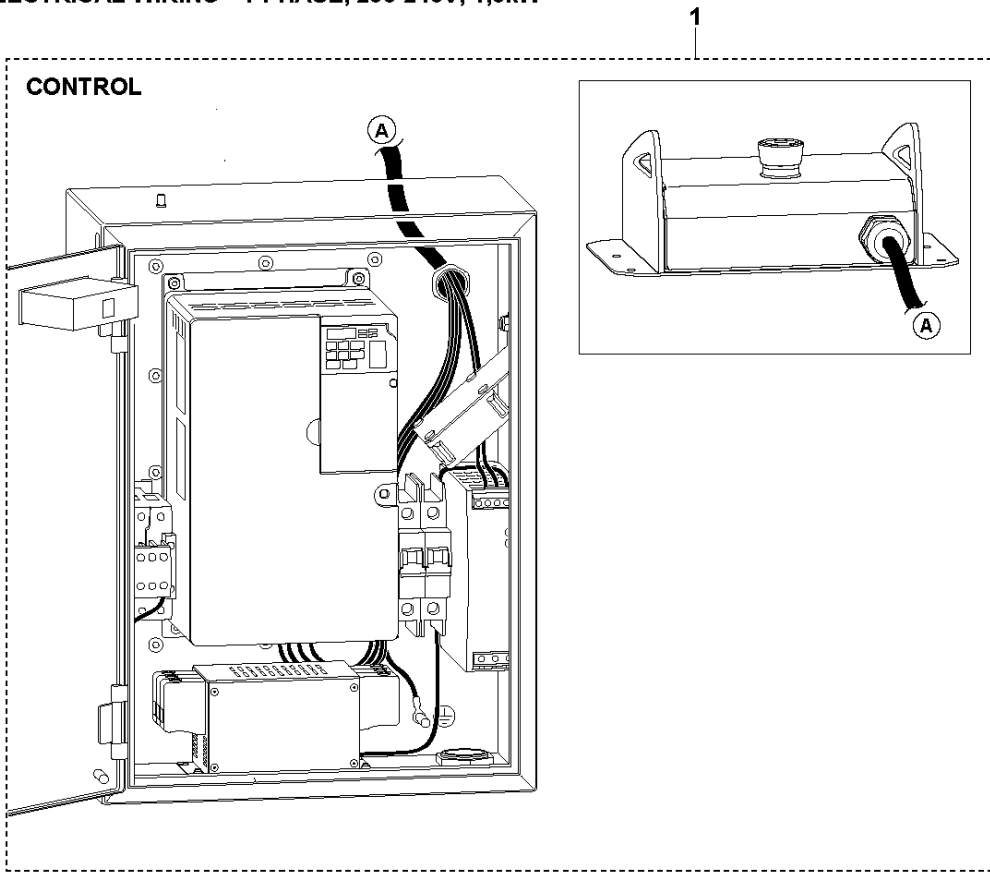
3

24VDC



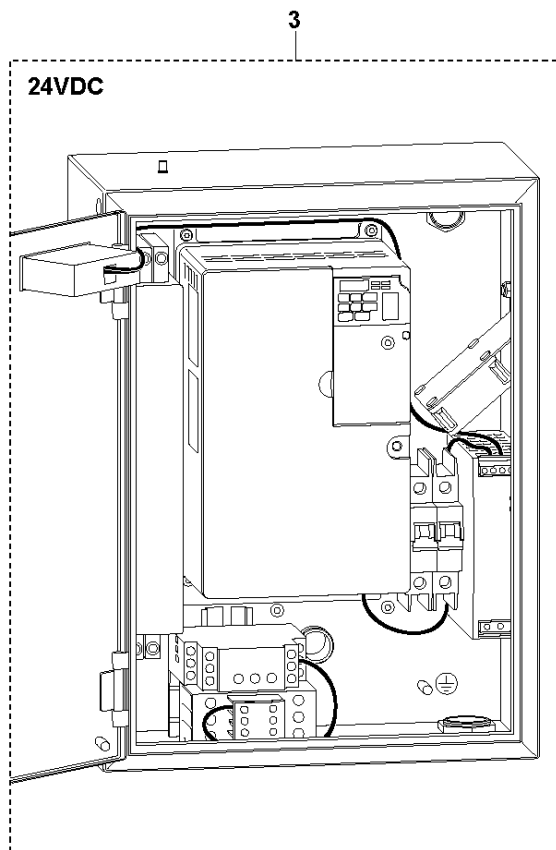
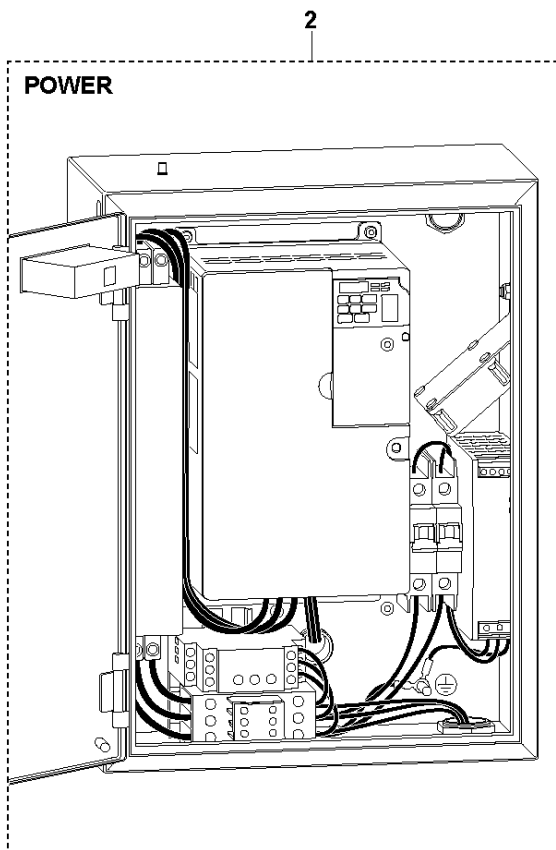
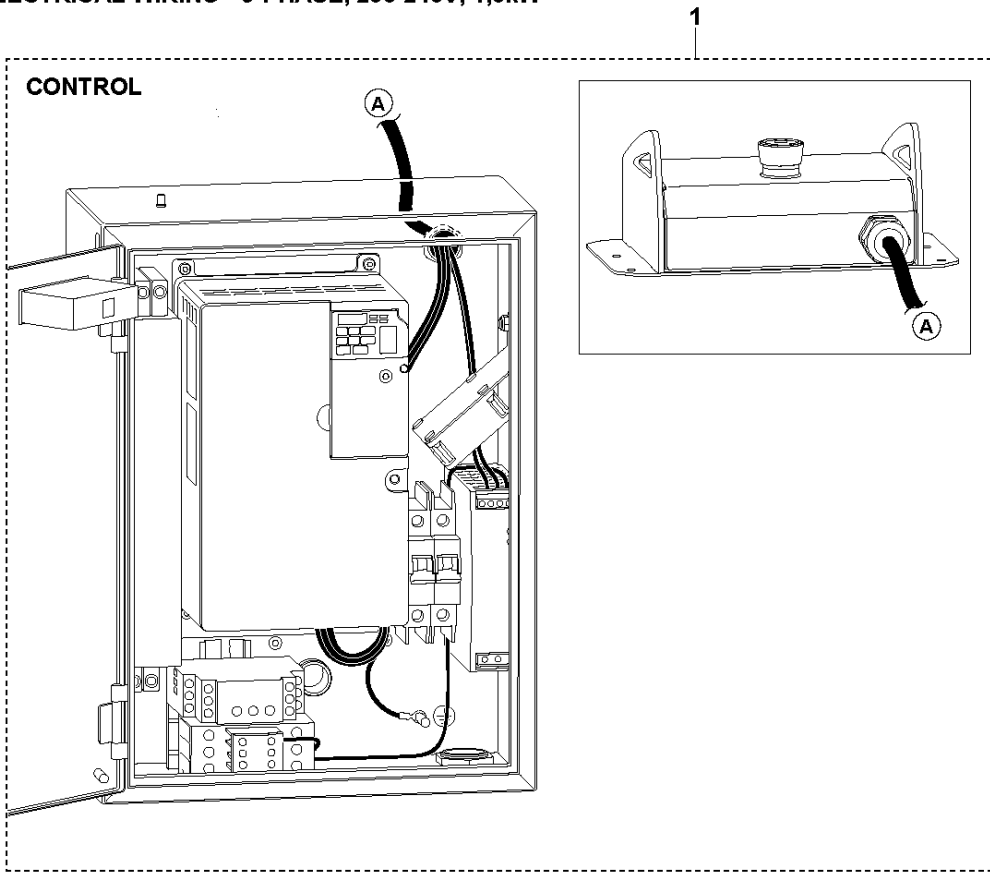
Ref	Part No	Description	Remark	QTY KIT
1	599 77 16-01	CABLE KIT	Control - PG 540	1
2	599 77 07-01	CABLE KIT	Power - PG 540 - 1PH - 2,2KW	1
3	599 77 02-01	CABLE KIT	24VDC - PG 540 - 1PH - 2,2KW	1

S PG 540
ELECTRICAL WIRING - 1-PHASE, 200-240V, 4,0kW



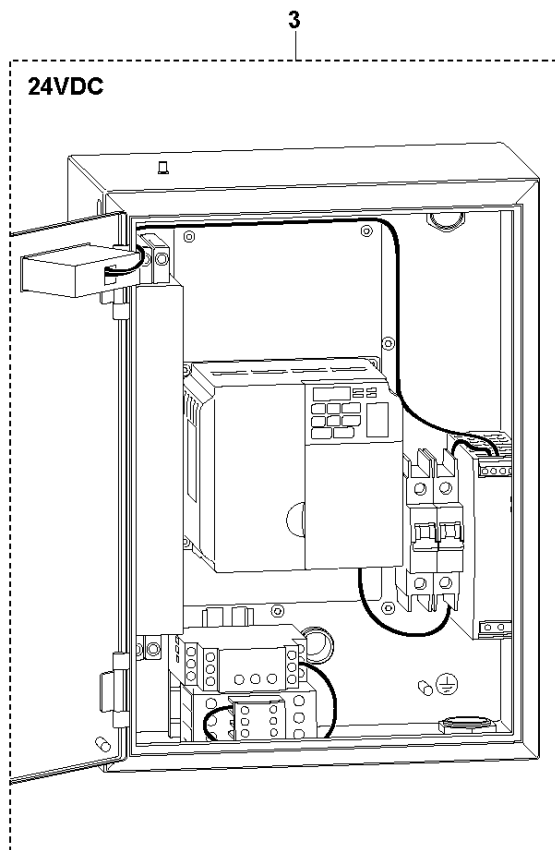
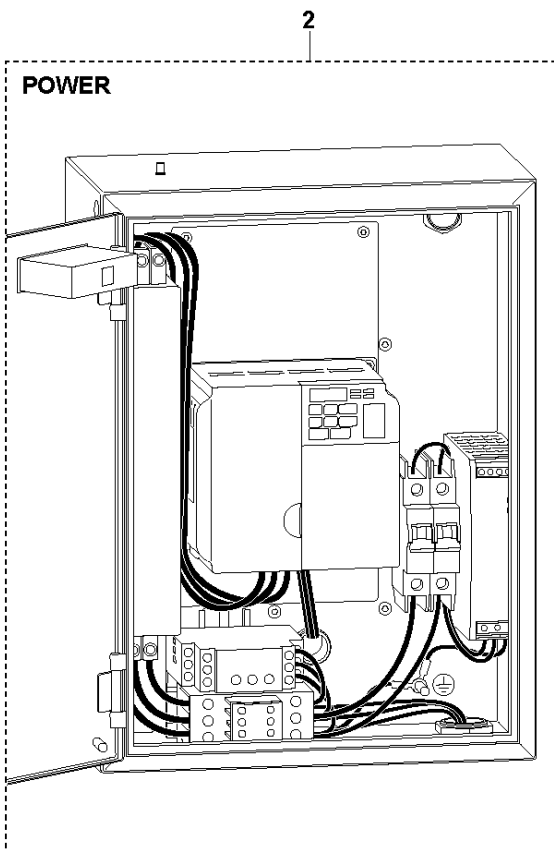
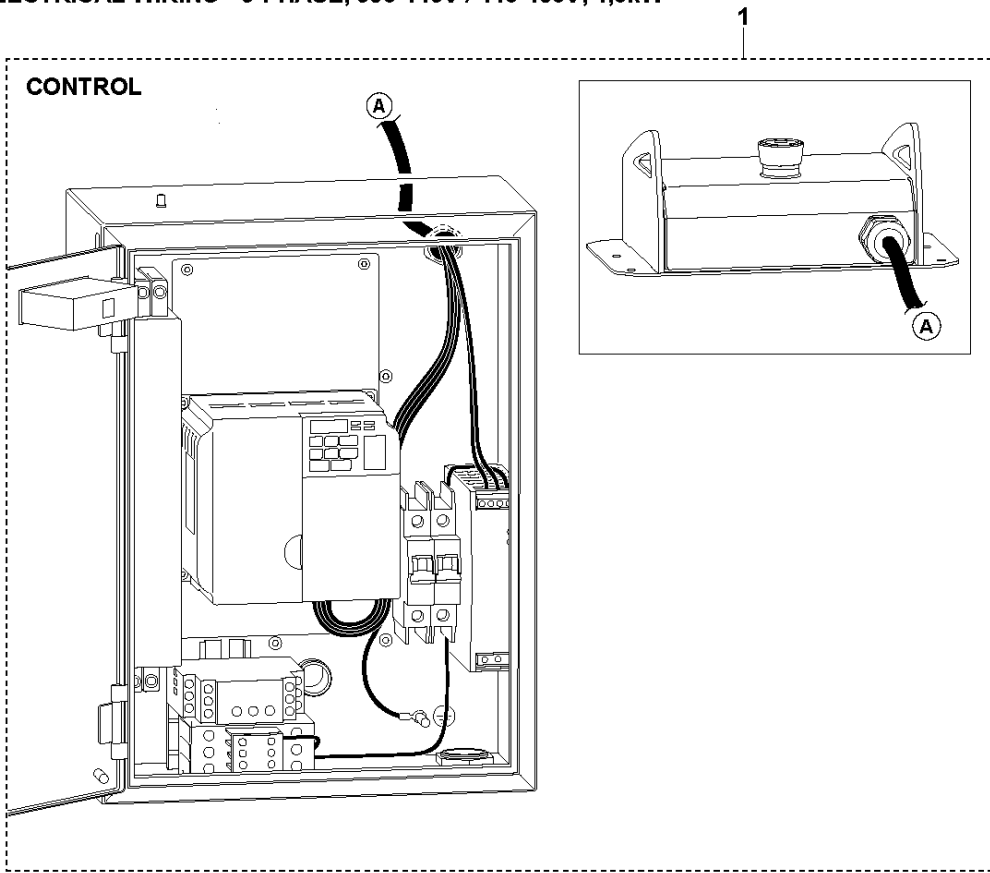
Ref	Part No	Description	Remark	QTY KIT
1	599 77 16-01	CABLE KIT	Control - PG 540	1
2	599 77 08-01	CABLE KIT	Power - PG 540 - 1PH - 4,0KW	1
3	599 77 03-01	CABLE KIT	24VDC - PG 540 - 1PH - 4,0KW	1

T PG 540
ELECTRICAL WIRING - 3-PHASE, 200-240V, 4,0kW



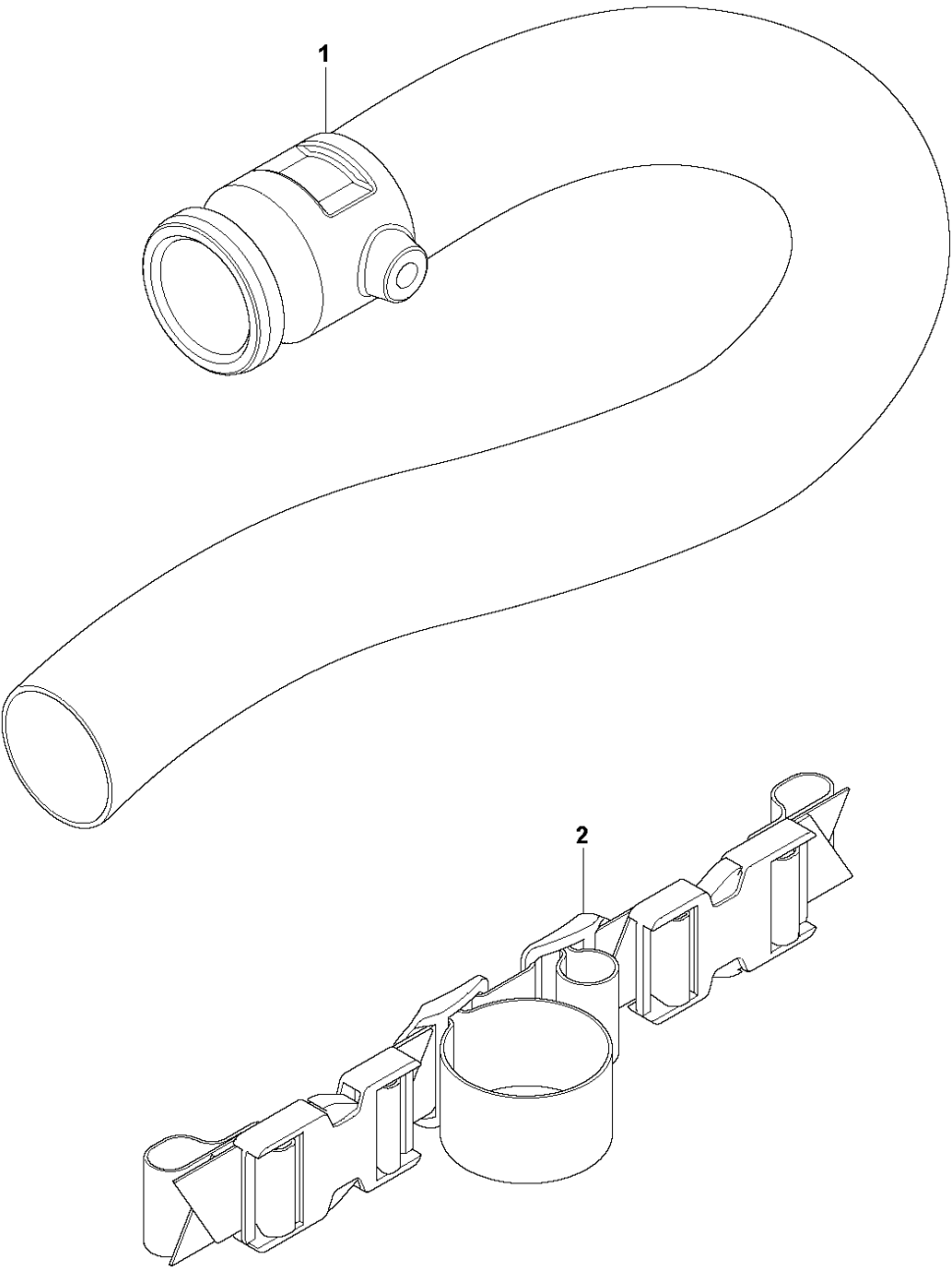
Ref	Part No	Description	Remark	QTY KIT
1	599 77 16-01	CABLE KIT	Control - PG 540	1
2	599 77 09-01	CABLE KIT	Power - PG 540 - 3PH	1
3	599 77 05-01	CABLE KIT	24VDC - PG 540 - 3PH - 16A	1

U PG 540
ELECTRICAL WIRING - 3-PHASE, 380-415V / 440-480V, 4,0kW



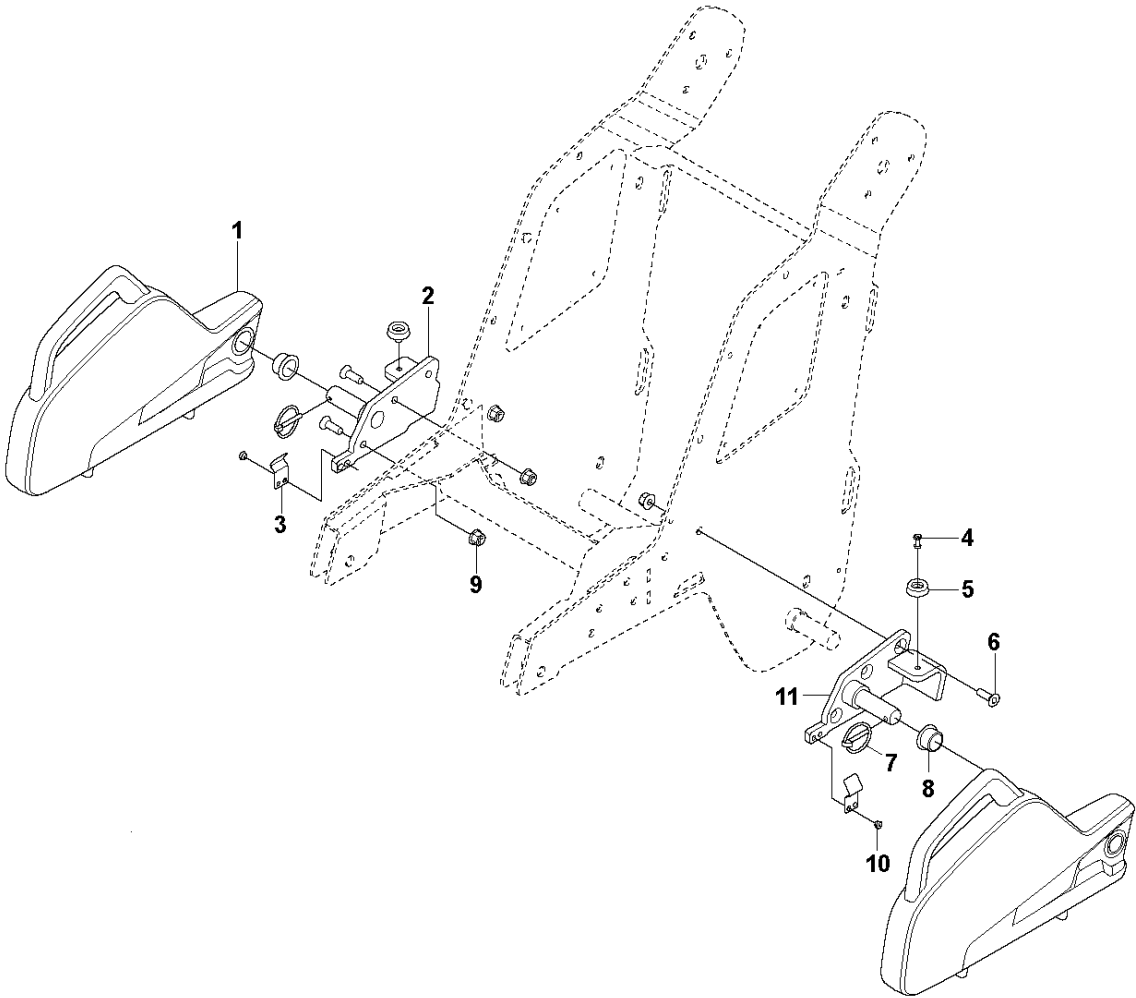
Ref	Part No	Description	Remark	QTY KIT
1	599 77 16-01	CABLE KIT	Control - PG 540	1
2	599 77 09-01	CABLE KIT	Power - PG 540 - 3PH	1
3	599 77 04-01	CABLE KIT	24VDC - PG 540 - 3PH - 20A	1

V PG 540
MISC SPARE PARTS

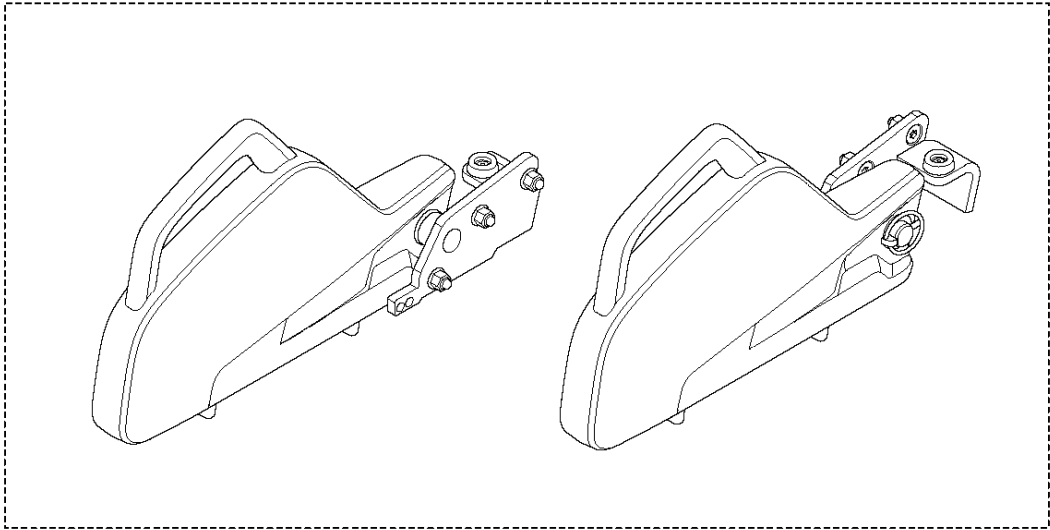


Ref	Part No	Description	Remark	QTY KIT
1	599 69 00-01	HOSE KIT		1
2	593 53 67-01	STRAP	hose guide assy	1

W PG 540
WEIGHT ASSY

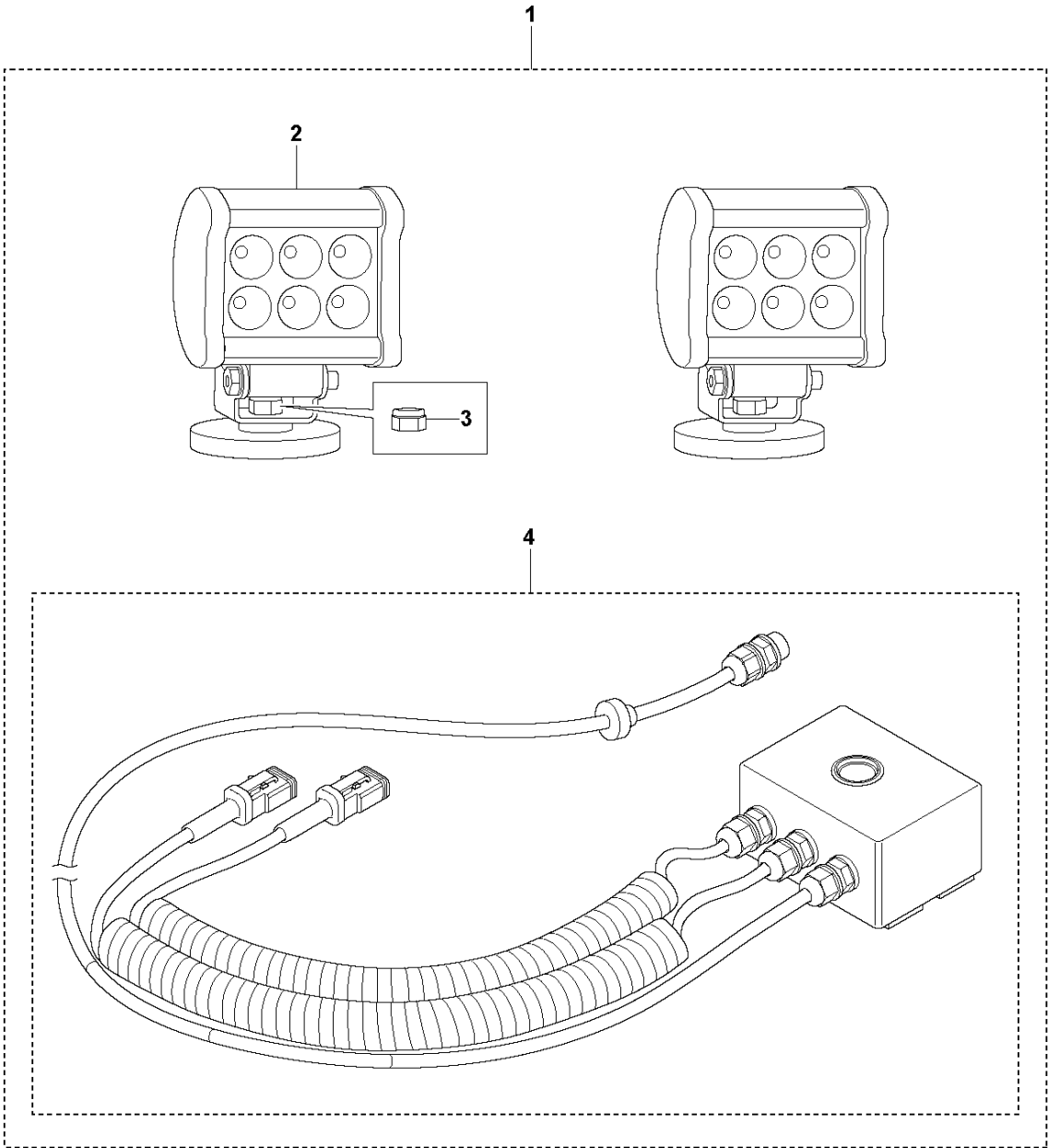


12



Ref	Part No	Description	Remark	QTY KIT
1	597 22 23-01	WEIGHT	Side	2
2	597 20 97-01	BRACKET	Right	1
3	597 23 77-01	SPRING	Weight holder PG540	1
4	598 01 55-01	RIVET		2
5	595 66 69-01	DAMPER		2
6	587 96 20-03	SCREW ITXCSFM	M8x25 Torx	6
7	597 89 31-01	PIN		2
8	595 66 32-01	BEARING		4
9	576 64 57-04	NUT FLANGE		6
10	722 78 70-03	BLIND RIVET		4
11	597 20 97-02	BRACKET	Left	1
12	598 02 82-01	WEIGHT	Incl. Bearings PG540	1

X PG 540 RC
LIGHT KIT



Ref	Part No	Description	Remark	QTY KIT	
1	597 92 52-01	LIGHT		1	
2	593 54 06-01	LIGHT		2	1
3	593 49 98-01	LOCK NUT		2	1
4	598 69 22-01	CABLE		1	1

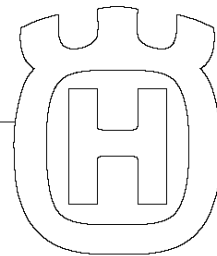
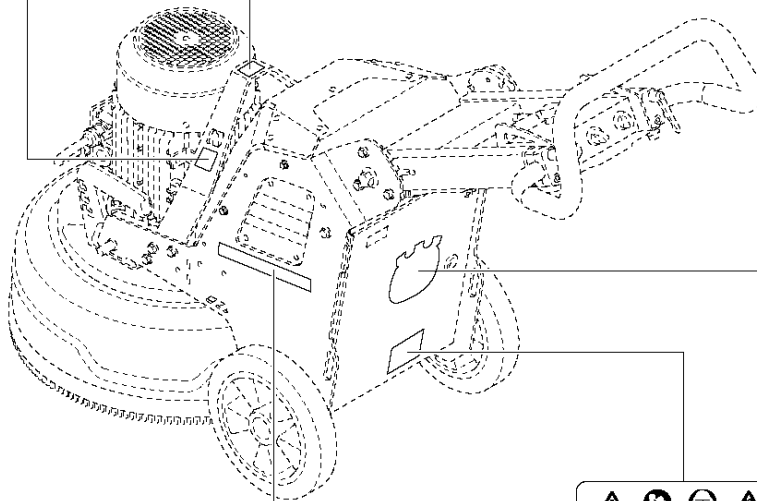
Y PG 540
DECALS

1





 Husqvarna

 Husqvarna

PG 540



 Husqvarna

			
WARNING			
CAUTION			
ATTENTION			
AVVERTIMENTI			

Ref	Part No	Description	Remark	QTY KIT
1	599 65 59-01	DECAL KIT	Decal kit PG 540	1