

DS 40 AT

Reservdelar

Spare parts

Ersatzteile

Pieces de rechange

Piezas de repuesto

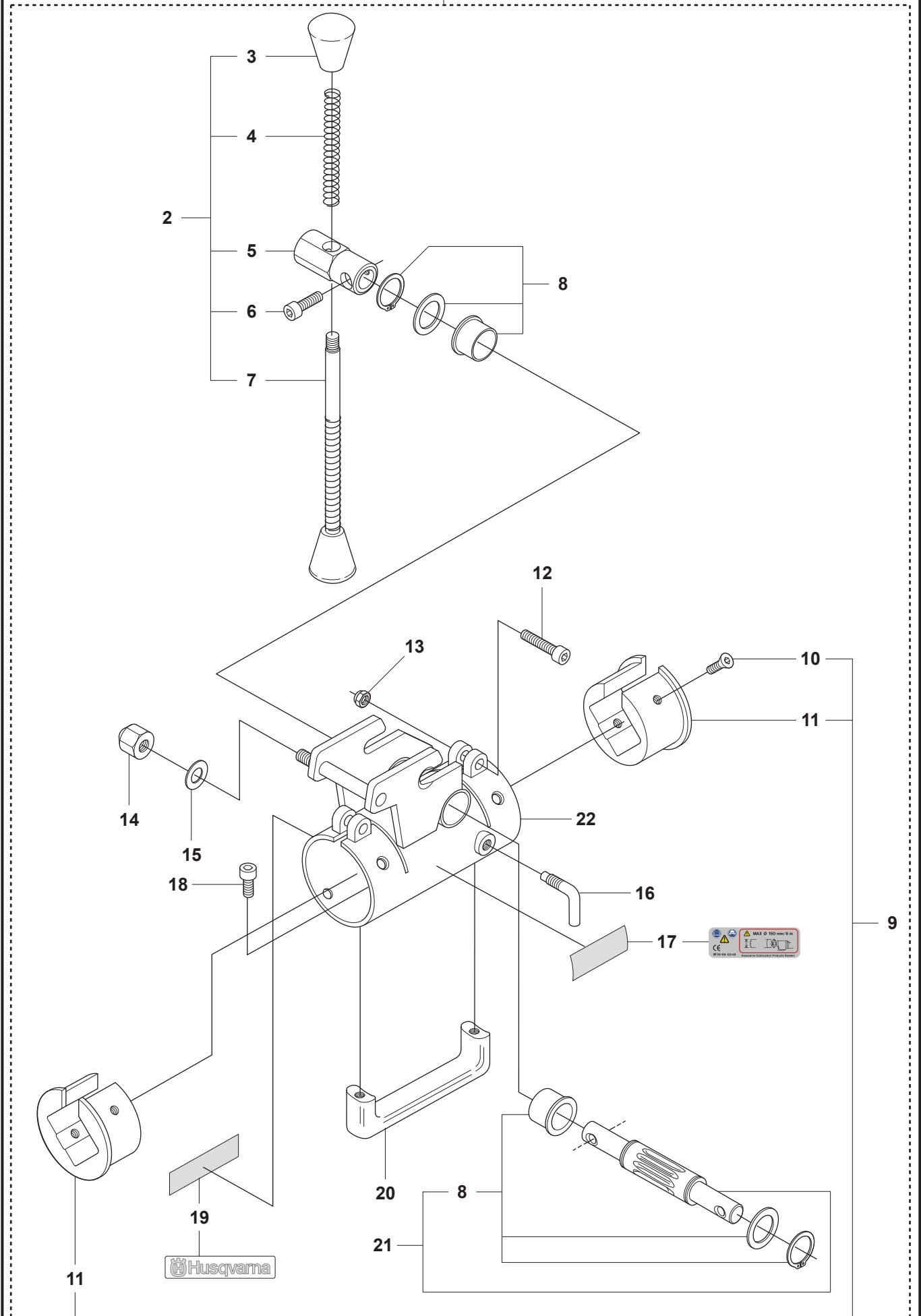
Ricambi

Peças sobresselente

No.	Pos.	Description	No.	Pos.	Description
501 38 01-01	D	NUT			
504 02 06-02	D	SHAFT HOLDER			
504 02 10-01	A	DECAL			
504 02 10-02	D	DECAL			
504 04 81-02	B	STOP SCREW 40 CPL			
504 04 82-02	B	WASHER			
504 04 84-01	B	STOP SCREW			
506 40 08-02	B	KEYSET CPL			
506 40 08-03	C	MOTOR MOUNT 50 ASSY			
506 40 08-04	C	MOTOR MOUNT 50 CPL			
506 40 08-05	C	MOTOR MOUNT 40 ASSY			
506 40 11-01	B	DRILL RACK 40AT			
506 40 17-02	A	SHAFT CPL			
506 40 19-01	A	BUSHING KIT			
506 40 20-01	A	HANDLE			
506 40 22-03	D	RETAINER CPL			
506 40 76-09	D	SHAFT HOLDER WITH WHEEL			
506 40 79-05	D	BASE PLATE 40AT NO WHEEL			
506 40 80-12	D	BASE PLATE 40AT ASSY			
506 40 88-08	B	DRILL RACK 40AT ASSY			
506 40 86-03	E	TOOL KIT CPL			
506 40 89-03	A	BUSHING KIT			
506 40 90-09	A	DRILL CARRIAGE 40X1 ASSY			
531 14 06-11	A	WASHER			
531 14 06-27	D	WASHER			
531 14 06-30	AC	NUT			
531 14 06-59	A	SCREW			
531 14 06-72	A	KNOB			
531 14 06-73	A	SPRING			
531 14 06-74	C	WEDGE			
531 14 06-81	C	SCREW			
531 14 06-82	A	HANDLE			
531 14 06-83	AC	NUT			
531 14 06-84	A	SLEEVE			
531 14 06-85	A	SCREW			
531 14 06-86	AC	SCREW			
531 14 06-87	A	KNOB			
531 14 07-10	C	MOTOR MOUNT			
531 14 07-11	C	SCREW			
531 14 07-12	C	WASHER			
531 14 07-13	C	WASHER			
531 14 07-14	C	SCREW			
531 14 07-22	D	WASHER			
531 14 07-23	D	SCREW			
531 14 07-28	D	WHEEL CPL			
531 14 07-30	D	COVER PLATE			
531 14 07-62	E	L ALLEN KEY 8MM			
531 14 07-72	D	PLUG			
531 14 07-79	A	DRILL CARRIAGE 40X1			
531 14 07-87	D	WASHER			
531 14 07-92	B	SCREW			
531 14 08-04	A	SCREW			
531 14 08-05	A	BUSHING			
531 14 08-09	C	SCREW			
531 14 08-10	C	BRACKET MOTOR MOUNT			
531 14 08-15	D	ADJUSTMENT SCREW			
531 14 08-16	D	SCREW			
531 14 08-17	D	BASE PLATE 40AT			
531 14 08-18	D	SHAFT			
531 14 08-65	C	BRACKET MOTOR MOUNT			
531 14 08-84	D	RETAINER CPL			
531 14 08-85	D	SCREW			
544 12 85-03	A	DECAL			
544 21 89-02	A	HANDLE			
544 22 27-01	E	SPANNER 30MM			
544 22 27-02	E	SPANNER 24MM			
544 27 98-01	E	L ALLEN KEY 6MM			

A DS40 AT

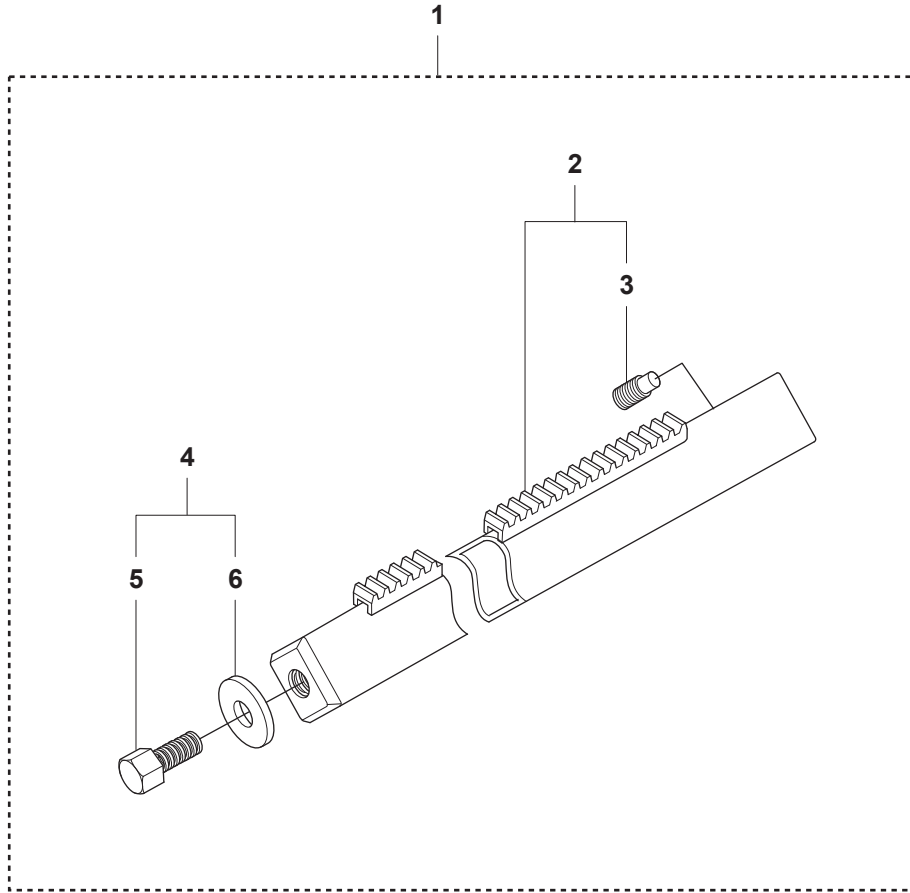
1



Page A
DS40AT

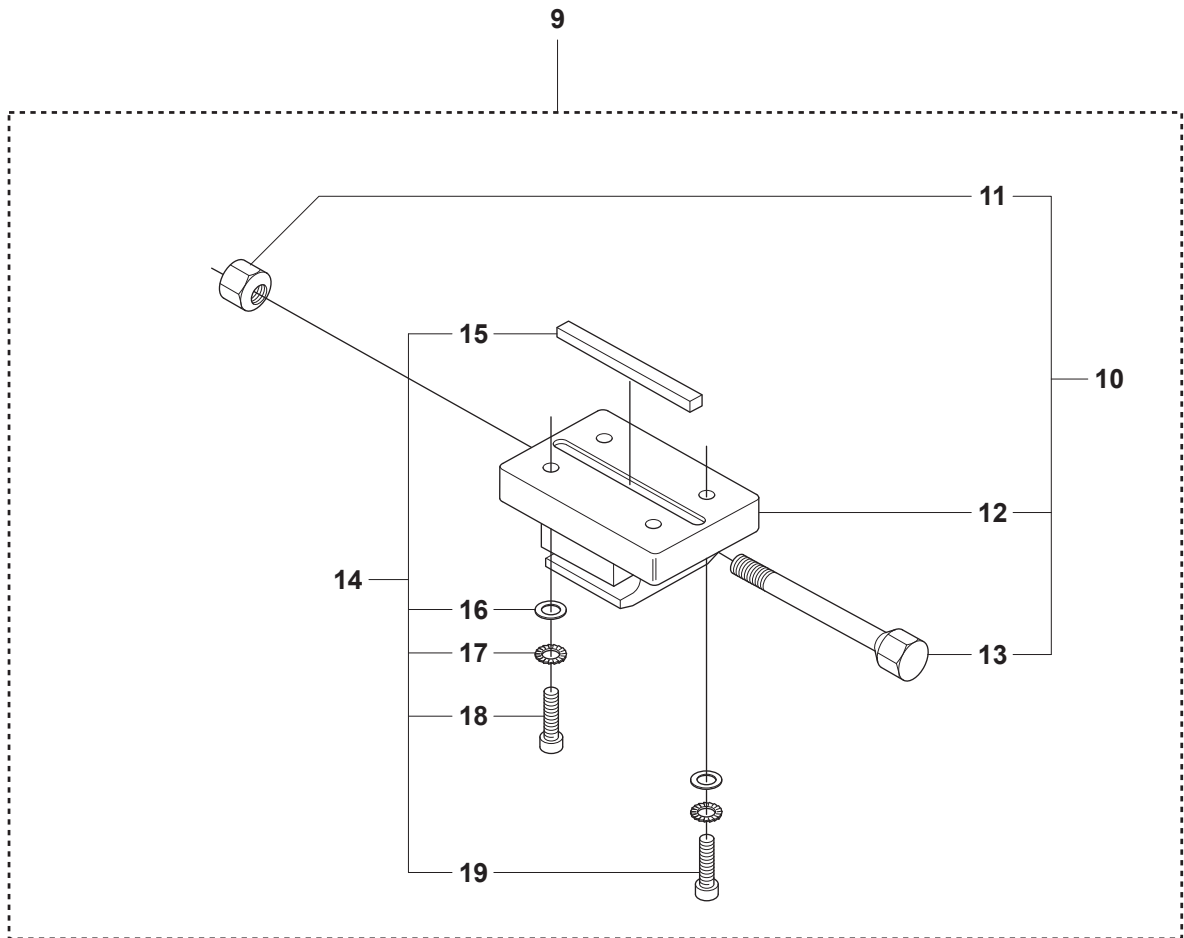
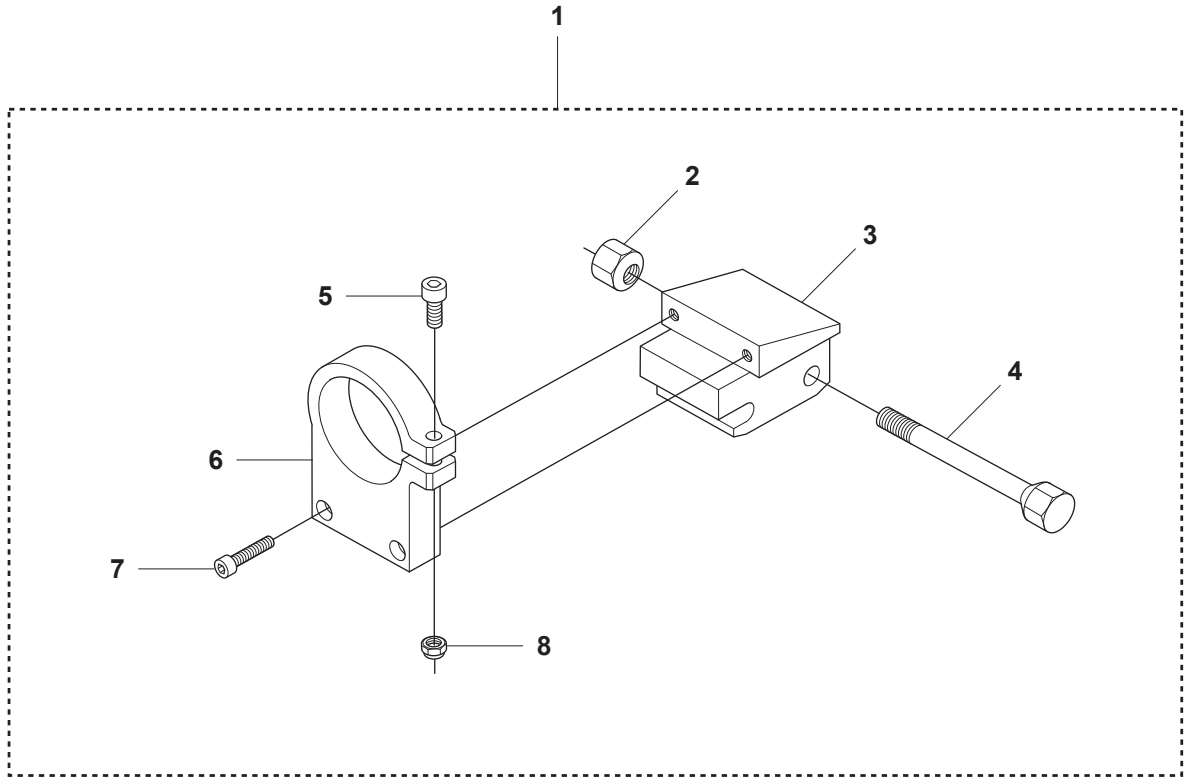
Pos.	Part No.	Description	Quantity	Notes
1	506 40 90-09	DRILL CARRIAGE 40X1 ASSY	1	Incl. 2, 8, 9, 12-20, 21, 22
2	506 40 20-01	HANDLE CPL	1	Incl. 3-7
3	531 14 06-72	KNOB	2	
4	531 14 06-73	SPRING	2	
5	531 14 06-84	SLEEVE	1	
6	531 14 06-59	SCREW	1	
7	531 14 06-82	HANDLE	1	
8	506 40 19-01	BUSHING KIT	1	
9	506 40 89-03	BUSHING KIT	1	Incl. 10, 11
10	531 14 08-04	SCREW	8	
11	531 14 08-05	BUSHING	2	
12	531 14 06-86	SCREW	2	
13	531 14 06-30	NUT	2	
14	531 14 06-83	NUT	1	
15	531 14 06-11	WASHER	1	
16	531 14 06-87	KNOB	1	
17	544 12 85-03	DECAL	1	
18	531 14 06-85	SCREW	2	
19	504 02 10-01	DECAL	1	
20	544 21 89-02	HANDLE	1	
21	506 40 17-02	SHAFT CPL	1	Incl. 8
22	531 14 07-79	DRILL CARRIAGE 40X1	1	

B DS40 AT



Page B
DS40AT

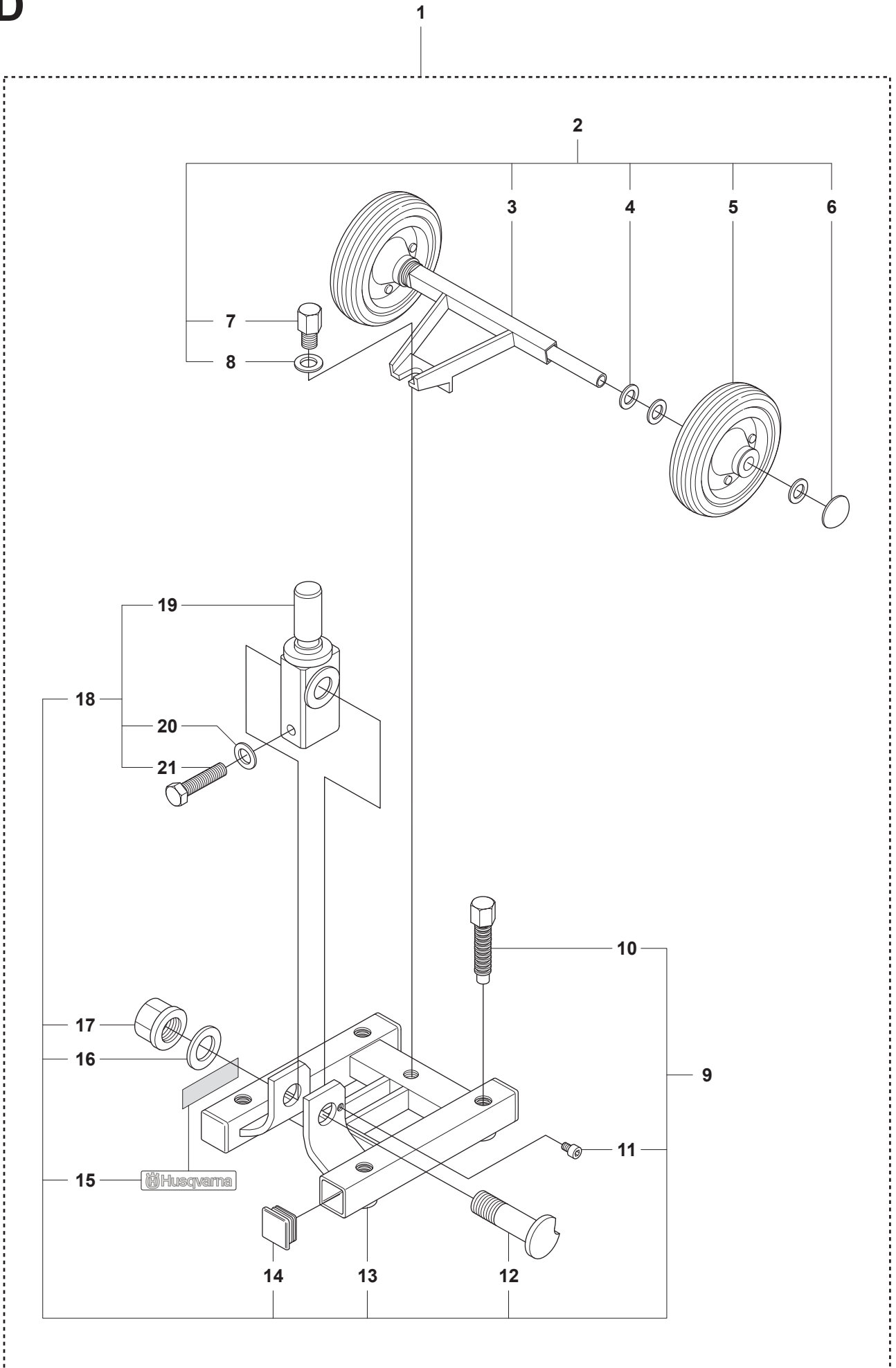
Pos.	Part No.	Description	Quantity	Notes
1	506 40 88-08	DRILL RACK 40AT ASSY	1	Incl. 2, 4
2	506 40 11-01	DRILL RACK 40AT	1	Incl. 3
3	531 14 07-92	SCREW	1	
4	504 04 81-02	STOP SCREW 40 CPL	1	Incl. 5, 6
5	504 04 84-01	STOP SCREW	1	
6	504 04 82-02	WASHER	1	



Page C
DS40AT

Pos.	Part No.	Description	Quantity	Notes
1	506 40 08-05	MOTOR MOUNT 40 ASSY	1	Incl. 2-8
2	531 14 06-83	NUT	1	
3	531 14 08-10	BRACKET MOTOR MOUNT	1	
4	531 14 07-11	SCREW	1	
5	531 14 06-86	SCREW	1	
6	531 14 08-65	BRACKET MOTOR MOUNT	1	
7	531 14 08-09	SCREW	2	
8	531 14 06-30	NUT	1	
9	506 40 08-03	MOTOR MOUNT 50 ASSY	1	Incl. 10, 14
10	506 40 08-04	MOTOR MOUNT 50 CPL	1	Incl. 11-13
11	531 14 06-83	NUT	1	
12	531 14 07-10	MOTOR MOUNT	1	
13	531 14 07-11	SCREW	1	
14	506 40 08-02	KEYSET CPL	1	Incl. 15-19
15	531 14 06-74	WEDGE	1	
16	531 14 07-12	WASHER	4	
17	531 14 07-13	WASHER	4	
18	531 14 06-81	SCREW	4	
19	531 14 07-14	SCREW	4	

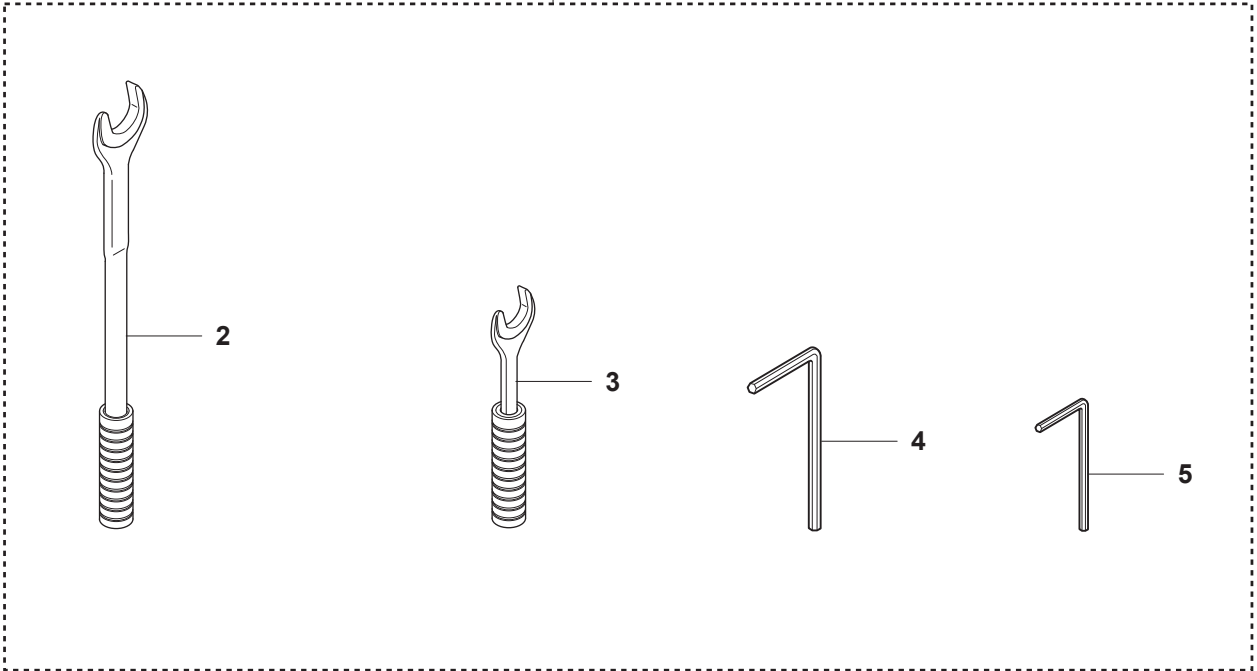
D DS40 AT



Page D
DS40AT

Pos.	Part No.	Description	Quantity	Notes
1	506 40 80-12	BASE PLATE 40AT ASSY	1	Incl. 2, 9
2	506 40 76-09	SHAFT HOLDER WITH WHEEL	1	Incl. 3-8
3	504 02 06-02	SHAFT HOLDER	1	
4	531 14 06-27	WASHER	6	
5	531 14 07-28	WHEEL CPL	2	
6	531 14 07-30	COVER PLATE	2	
7	531 14 07-23	SCREW	1	
8	531 14 07-22	WASHER	1	
9	506 40 79-05	BASE PLATE 40AT NO WHEEL	1	Incl. 10-18
10	531 14 08-15	ADJUSTMENT SCREW	4	
11	531 14 08-16	SCREW	1	
12	531 14 08-18	SHAFT	1	
13	531 14 08-17	BASE PLATE 40AT	1	
14	531 14 07-72	PLUG	4	
15	504 02 10-02	DECAL	1	
16	531 14 07-87	WASHER	1	
17	501 38 01-01	NUT	1	
18	506 40 22-03	RETAINER CPL	1	Incl. 19-21
19	531 14 08-84	RETAINER	1	
20	531 14 07-22	WASHER	1	
21	531 14 08-85	SCREW	1	

1



Page E
DS40AT

Pos.	Part No.	Description	Quantity	Notes
1	506 40 86-03	TOOLKIT CPL	1	Incl. 2-5
2	544 22 27-01	SPANNER 30MM	1	
3	544 22 27-02	SPANNER 24MM	1	
4	531 14 07-62	L ALLEN KEY 8MM	1	
5	544 27 98-01	L ALLEN KEY 6MM	1	