



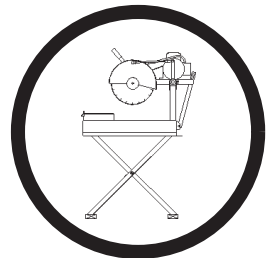
GB Operator's manual

Read these instructions carefully and make sure you understand them before using the TS 355.

ES Manual del operador

Lea cuidadosamente estas instrucciones y asegúrese de que las comprende bien antes de usar el TS 355.

**TS 355,
TS 355 G**





EVERY MACHINE IS THOROUGHLY TESTED BEFORE LEAVING THE FACTORY. EACH MACHINE IS SUPPLIED WITH A COPY OF THIS MANUAL. OPERATORS OF THIS EQUIPMENT MUST READ AND BE FAMILIAR WITH THE SAFETY WARNINGS. FAILURE TO OBEY WARNINGS MAY RESULT IN INJURY OR DEATH. FOLLOW INSTRUCTIONS STRICTLY TO ENSURE LONG SERVICE IN NORMAL OPERATION.

CONTENTS

Symbol Definitions 3 - 6

Hearing Hazard Warnings 6

Decal Descriptions and Locations 7

Specifications & Power Sources 8

Saw Dimensions 9

Safety Warnings - Do's and Do Not's 10 - 11

Reference Figures: 1 - 13 12 - 14

Pre Operation Checklist 15

Instructions:

1 - Features 16

2 - Assembly 16 - 17

3 - Check Before Operating 18

4 - Fitting the Blade 18

5 - Operating Instructions 18 - 20

6 - Incidents During Operation 20

7 - Maintenance 20 - 21

8 - V-Belt Tension 21

9 - Important Advice 21 - 22

10 - Accessories 22

11 - Repairs 22

12 - Spare Parts 22

Diagrams and Spare Parts 40 - 47

Wiring Diagrams 48 - 49



ANTES DE COMENZAR: Lea y comprenda todas las advertencias e instrucciones antes de operar la máquina que se describe en este manual. **¡LAS ADVERTENCIAS Y PRECAUCIONES DE ESTE MANUAL DEBEN SER COMPRENDIDAS Y CUMPLIDAS! SI NO SE OBEDECEN LAS ADVERTENCIAS, SE PUEDEN PRODUCIR SERIAS LESIONES O LA MUERTE. ES SU RESPONSABILIDAD** el asegurarse que las personas que usen esta máquina hayan leído este manual.

CONTENIDO

Definición de Símbolos 3 - 6

Advertencias Auditivas de Peligro 6

Calcomanís - Descripciones y Ubicaciones 7

Especificaciones y Fuentes de Energía 24

Dimensiones de la Sierra 25

Advertencias de Seguridad - Los SI y Los NO 26 - 27

Ilustraciones de Referencia: 1 - 13 28 - 30

Lista de Comprobaciones Previas a la Operación 31

Instrucciones:

1 - Usos 32

2 - Armado 32 - 34

3 - Verifique Antes De Operar 34

4 - Colocación De La Hoja 34 - 35

5 - Instrucciones De Operación 35 - 36

6 - Incidentes Durante La Operación 36 - 37

7 - Mantenimiento 37 - 38

8 - Tensión De La Cinta En V 38

9 - Consejo Importante 38 - 39

10 - Accesorios 39

11 - Reparaciones 39

12 - Piezas De Repuesto 39

Diagramas de Cableado 48 - 49

SYMBOL DEFINITIONS

DEFINICIÓN DE SIMBOLOS



- Please read the instructions for use prior to operating the machine for the first time.
- Antes de la puesta en marcha, lea detenidamente las instrucciones y familiarícese con la máquina.



- Mandatory
- Obligatorio



- Indication
- Indicación



- Prohibition
- Prohibición



- Warning Triangle
- Triángulo De Advertencia



- Wear Eye Protection
- Usar Gafas De Protección



- Wear Head Protection
- Usar Casco De Protección



- Wear Breathing Protection
- Usar Máscara De Protección



- The Use Of Ear Protection Is Mandatory
- Es Obligatorio El Uso De Protección Auditiva



- Wear a Hard Hat
- Usar Casco Duro



- Wear Safety Shoes
- Usar Zapatos De Seguridad



- Wear Appropriate Clothing
- Usar Ropa Adecuada



- Remove The Blade Prior To Hoisting, Loading, Unloading And Transporting The Machine On Jobsite.
- Desmontar El Disco Antes De Desplazar, Cargar, Descargar O Transportar La Máquina En La Obra.



- Motor Off
- Parar El Motor



- Use In Well Ventilated Area
- Usar En Una Área Bien Ventilada



- Do Not Use In Flammable Areas
- No Usar In Áreas Inflamables



- Machinery Hazard, Keep Hands And Feet Clear.
- Máquina Peligrosa - Mantenga Manos Y Pies Alejados De La Máquina



- Danger, Poison Exhaust Gas
- Peligro, Gases De Escape Tóxicos



- No Non-working Personnel In Area
- Prohibido Para Personas Ajenas A La Obra



- No Smoking
- No Fumar



- Do Not Operate Without All Guards In Place
- No Operar Sin Todas Las Protecciones In Su Sitio



- Always Keep the Blade Guards In Place
- Mantenga Siempre Las Protecciones De La Hoja En Su Sitio



- Water Supply On
- Suministro De Agua Conectado



- Water Supply Off
- Suministro De Agua Desconectado



- Water Supply
- Suministro De Agua



- Keep Work Area Clean/Well Lit, Remove All Safety Hazards
- Mantenga Limpio El Sitio De Trabajo/Bien Iluminado, Elimine Todos Los Riesgos De Seguridad



- Dangerously High Noise Level
- Nivel De Ruido Elevadamente Peligroso



- Pay Extreme Attention To The Care And Protection Of The Machine Before Starting Up
- Ponga Extrema Atención Al Cuidado Y Preparación De La Máquina Antes De Ponerla En Marcha



- Remove Tools From Area and Machine
- Elimine Las Herramientas Del Área Y De La Máquina



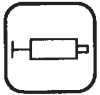
- Oil Pressure
- Presión De Aceite



- Oil Required
- Necesita Aceite



- Dipstick, Maintain Proper Oil Level
- Varilla De Control, Mantenga El Nivel De Aceite Correcto



- Lubrication Point
- Punto De Lubrication



- Unleaded Fuel Only
- Solamente Combustible Sin Plomo



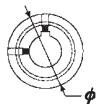
- Repairs Are To Be Done By An Authorized Dealer Only
- Las Reparaciones Deben Ser Efectuadas Únicamente Por Un Distribuidor Autorizado



- Diamond Blade
- Sierra Diamantada



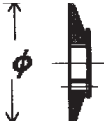
- Blade Diameter
- Diámetro De La Hoja



- Pulley Diameter
- Diámetro De La Correa



- Number of Revolutions Per Minute, Rotational Speed
- N° De Revoluciones Por Minuto, Velocidad De Rotación



- Blade Flange Diameter
- Diámetro De La Breda De La Hoja



- Machine Mass (lbs)
- Masa De La Máquina (lbs)



- Engine
- Motor



- Engine Speed Revolutions/Minute
- Velocidad Del Motor En Revoluciones Por Minuto (RPM)



- Engine Start
- Arranque Del Motor



- Electric Motor
- Motor Electrica

⚠ WARNING
HEARING HAZARD

DURING NORMAL USE OF THIS MACHINE, OPERATOR MAY BE EXPOSED TO A NOISE LEVEL EQUAL OR SUPERIOR TO **85 dB (A)**

⚠ ATENCION
RIESGO DE DAÑO AUDITIVO

EN CONDICIONES NORMALES DE UTILIZACIÓN, EL OPERADOR DE ESTA MÁQUINA PUEDE ESTAR EXPUESTO A UN NIVEL DE RUIDO IGUAL O SUPERIOR A **85 dB (A)**



DUST WARNING

Cutting, especially when DRY cutting, generates dust that comes from the material being cut, which frequently contains silica. Silica is a basic component of sand, quartz, brick clay, granite and numerous other minerals and rocks. Exposure to excessive amount of such dust can cause:

- Respiratory diseases (affecting your ability to breath), including chronic bronchitis, silicosis and pulmonary fibrosis from exposure to silica. These diseases may be fatal;
- Skin irritation and rash; and
- Cancer according to NTP* and IARC*
* National Toxicology Program, International Agency for Research on Cancer

Take precautionary steps

- Avoid inhalation of and skin contact with dust, mist and fumes;
- Wet cut when feasible, to minimize dust;
- Wear and ensure that all bystanders wear appropriate respiratory protection such as dust masks designed to filter out microscopic particles. (See OSHA 29 CFR Part 1910.1200)

California Prop 65 Warning:

Use of this product can cause exposure to materials known to the State of California to cause cancer and/or birth defects or other reproductive harm.

DECAL DESCRIPTIONS AND LOCATIONS DESCRIPCIÓN DE CALCAMONIAS Y UBICACIONES



TARGET **PORTASAW TS 355**

P/N 542 19 07-28

Location: Water Pan Sides, (Qty. 2) TS 355 Only



TARGET **PORTASAW TS 355 G**

P/N 542 19 07-27

Location: Water Pan Sides, (Qty. 2) TS 355 G Only



542 19 07-33

Location: Front of Pan, Belt Guard, All Models (Qty. 2)

WARNING

Read and understand the entire operators manual before using this machine.

If you DO NOT have an Operators Manual, Call Toll Free 1-800-288-5040

Machinery Hazard
- Always keep all guards in place.
- Always keep all parts of your body away from all moving parts.

Always use only in well ventilated areas.

DO NOT operate near combustible material.

Always wear approved equipment.

P/N 542 17 75-88

Location: Blade Guard (Qty. 1) All Models

WARNING

Muffer Is HOT!
May Cause Burns And / Or Ignition Of Material.
Avoid Contact!

P/N 169065

Location: Muffler
(Qty. 1) Gas Models

WARNING

OUTLET IS NOT FOR GENERAL PURPOSE USE. USE ONLY FOR VENDOR APPROVED WATER PUMP.

P/N 542 18 92-47*

Location: Motor
(Qty. 1) Electric Models

WARNING

EQUIPMENT IS FURNISHED WITH A 3 WIRE GROUNDING PLUG. BE CERTAIN EQUIPMENT IS CONNECTED TO A GROUNDING CIRCUIT. FAILURE TO COMPLY COULD RESULT IN DEATH OR SERIOUS BODILY INJURY. SEE OPERATOR'S MANUAL FOR INSTRUCTIONS. IF YOU DO NOT HAVE AN OPERATOR'S MANUAL, CALL TOLL FREE 1-800-288-5040

P/N 542 04 63-26

Location: Motor
(Qty. 1) Electric Models

GOOD MOTOR PERFORMANCE DEPENDS ON PROPER VOLTAGE. EXTENSION CORDS THAT ARE TOO LONG AND/OR SMALL REDUCE VOLTAGE TO MOTOR UNDER LOAD. USE EXTENSION CORDS NO SMALLER THAN INDICATED BELOW.

MOTOR HP	50' CORD		75' CORD		100' CORD	
	115V	230V	115V	230V	115V	230V
1	#12	#14	#10	#14	# 8	#14
1 1/2	#10	#14	#10	#14	# 8	#14
2	#10	#12	# 8	#12	# 8	#12
3	# 8	#10	# 8	#10	# 8	#10
5		# 8		# 8		# 8

046327

P/N 542 04 63-27*

Location: Motor
(Qty. 1) Electric Models

Specifications				
MODEL NO.	TS 355	TS 355	TS 355	TS 355 G
TYPE	1-1/2 HP-115V Electric	2 HP Electric	3 HP Electric	5.5 HP Gasoline
Blade Guard Capacity	10 - 14" (250 - 350 mm)	10 - 14" (250 - 350 mm)	10 - 14" (250 - 350 mm)	14" Only (350 mm)
Blade Shaft RPM:	2509	2509	2509	2950
Max. Depth of Cut:	5.0" (127 mm)			
Blade Arbor Size:	1.00" (25.4 mm)			
Blade Shaft:	Sealed Ball Bearings			
Blade Shaft Drive:	Two 4L370 V-Belts	Two 4L370 V-Belts	Two 4L370 V-Belts	3VX V-Belt (2 Band)
Blade Guard:	One Piece Steel, Sta-Level™ Design, 14" (350 mm) Maximum Capacity			
Blade Coolant:	Water			
Water Pan:	3.86 x 17.73 x 30.73 Inch (98 x 450 x 780.5 mm), 6.75 Gallon (25 Liter) Capacity (At 3" Depth)			
Conveyor Cart:	Cast Aluminum w/ Vulcanized Rubber Top, Adjustable Measuring Rule, 45° / 90° Cutting Guide			
Water Pump: Electric Models: Gasoline Model:	300 Gallons / Hour, Submersible, Totally Epoxy Sealed, Thermal Over Load Protected 8 GPM, Belt Drive, Solid Bronze, With Strainer & Built-In Priming Pump with Check Valve			
Frame:	Heavy duty, Jig Welded "X" Braced Steel, Open Throat Design For Unlimited Ripping			
Weight Pounds (kg):				
Saw Crated:	171 (77.7)	182 (82.7)	192 (87.3)	209 (95.0)
Saw Uncrated:	160 (72.7)	169 (76.8)	181 (82.3)	198 (90.0)
Saw Operating (Water in Pan):	221 (100.5)	230 (104.5)	242 (110.0)	259 (117.7)
Folding Stand (Unboxed):	24 (10.9)			
Foot Pedal Kit (Boxed):	14 (6.4)			
Electric Cord:	0.40 (.18)	N / A	N / A	N / A

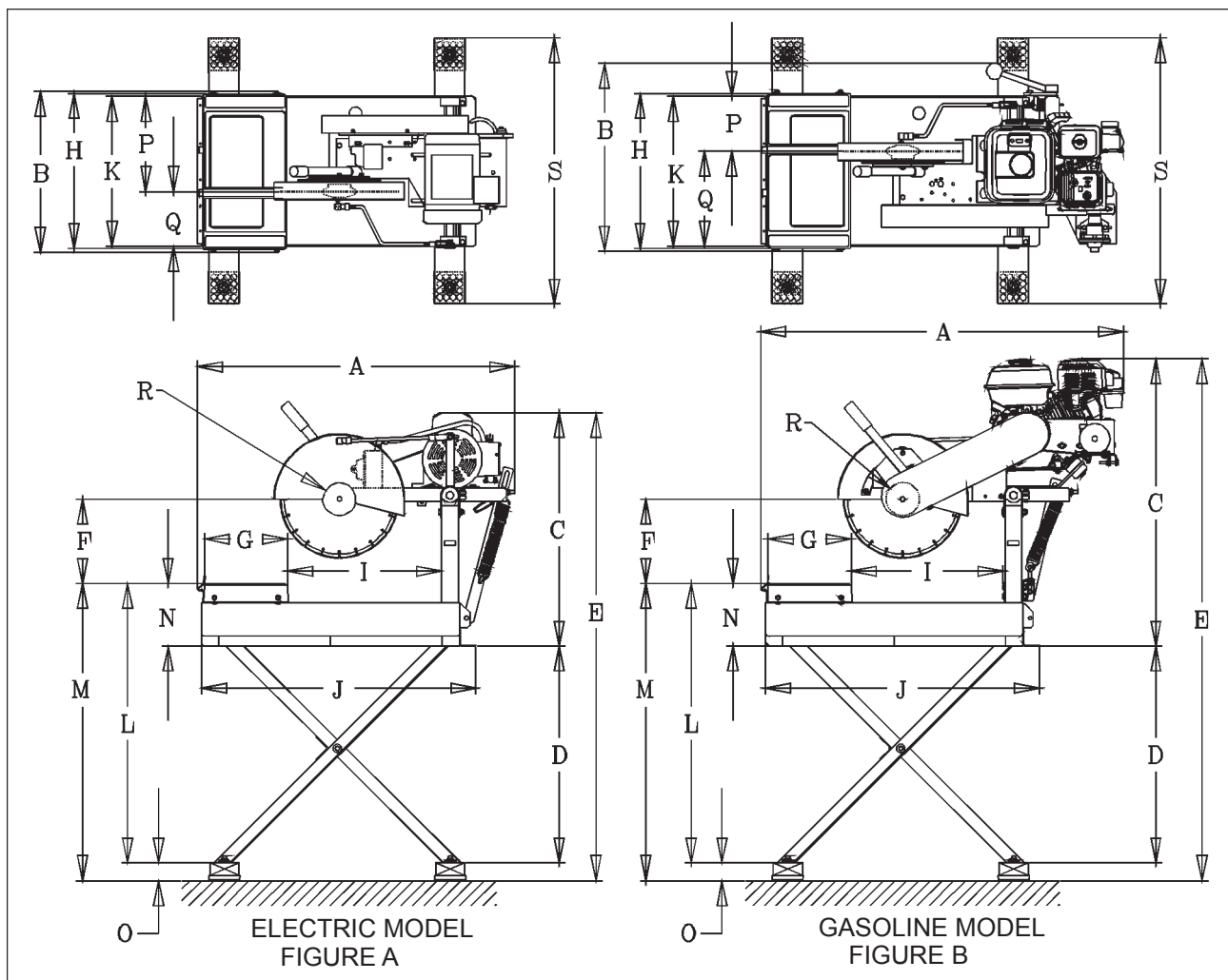
Power Source				
MODEL NO.	TS 355-15	TS 355-2	TS 355-3	TS 355 G
TYPE:	Electric	Electric	Electric	Gasoline
Engine / Motor:	Baldor	Baldor	Baldor	Honda
Horsepower (kw):	1-1/2 (1.1)	2 (1.5)	3 (2.2)	5.5 (4.0)
RPM:	3450	3450	3450	3500
Specifications:	T.E.F.C.	T.E.F.C.	T.E.F.C.	——
Voltage:	115 / 208-230	115 / 208-230	208-230	——
Cycle (Hz) / Current / Phase:	60 / A.C. / 1	60 * / A.C. / 1	60 * / A.C. / 1 **	——
Displacement:	——	——	——	9.9 cu. Inch (163 cc)
Bore:	——	——	——	2.7 inch (68 mm)
Stroke:	——	——	——	1.8 inch (45 mm)
Cylinders / Cycle:	——	——	——	1 / 4
Fuel Capacity:	——	——	——	.95 Gallon (3.6 liter)
Oil Capacity:	——	——	——	.63 Quart (.6 liter)
Air Filter:	——	——	——	Dry Type Dual Element with Precleaner
Starter:	Capacitor	Capacitor	Capacitor	Recoil
Coolant:	Air			

* 50 cycle motors available upon special request: 2 HP model is 240 Volt, 3 HP model is 220-380 Volt

** 3 phase motor available upon special request - specify 230 or 460 volts for factory wiring.

Note: For item numbers on motors / engine see parts list section of this document. Specifications are subject to change without notice.

Saw Dimensions



SAW DIMENSIONS

ELECTRIC MODELS (Figure A)			GASOLINE MODEL (Figure B)		
Item	Length (cm)	Description	Item	Length (cm)	Description
A	38.2" (97.0)	Saw Length (Maximum)	A	43.6" (110.7)	Saw Length (Maximum)
B	19.4" (49.3)	Saw Width (Maximum)	B	22.7" (57.7)	Saw Width (Maximum)
C	28.2" (716.3)	Saw Height (Minimum)	C	34.8" (88.4)	Saw Height (Minimum)
D	26.1" (66.3)	Stand Height (Optional)	D	26.1" (66.3)	Stand Height (Optional)
E	56.4" (143.3)	Saw Height (Maximum)	E	63.0" (160.0)	Saw Height (Maximum)
F	3.8 - 15.1" (9.6 - 38.4)	Blade Shaft Height (Minimum - Maximum)	F	6.4 - 15.0" (16.2 - 38.2)	Blade Shaft Height (Minimum - Maximum)
G	10.0" (25.4)	Cart Length	G	10.0" (25.4)	Cart Length
H	18.7" (47.5)	Cart Width	H	18.3" (47.5)	Cart Width
I	18.5" (47.0)	Cart Travel	I	18.3" (46.5)	Cart Travel
J	33.0" (76.2)	Saw Base Length	J	33.0" (76.2)	Saw Base Length
K	18.0" (45.7)	Pan Width	K	18.0" (45.7)	Pan Width
L	33.7" (85.6)	Stand To Cart Top	L	33.7" (85.6)	Stand To Cart Top
M	35.8" (90.9)	Skid To Cart Top	M	35.8" (90.9)	Skid To Cart Top
N	7.6" (19.3)	Base To Cart Top	N	7.6" (19.3)	Base To Cart Top
O	2.1" (5.3)	Skid Height (Optional)	O	2.1" (5.3)	Skid Height (Optional)
P	11.5" (29.2)	Cart - LH Side	P	6.5" (16.5)	Cart - LH Side
Q	6.5" (16.5)	Cart - RH Side	Q	11.5" (29.2)	Cart - RH Side
R	4.0" (10.16)	Flange Diameter	R	4.0" (10.16)	Flange Diameter
S	32.0" (81.3)	Skid Width (Optional)	S	32.0" (81.3)	Skid Width (Optional)

SAFETY FIRST!



WARNINGS DO's AND DO NOT's

WARNING: FAILURE TO COMPLY WITH THESE WARNINGS AND OPERATING INSTRUCTIONS COULD RESULT IN DEATH OR SERIOUS BODILY INJURY.

DO

- DO read this entire operator's manual before operating this machine. Understand all warnings, instructions, and controls.
- DO keep all guards in place and in good condition.
- DO wear safety approved hearing, eye, head and respiratory protection.
- DO read and understand all warnings and instructions on the machine.
- DO read and understand the symbol definitions contained in this manual.
- DO keep all parts of your body away from the blade and all other moving parts.
- DO know how to stop the machine quickly in case of emergency.
- DO shut off the engine and allow it to cool before refueling.
- DO inspect the blade, flanges and shafts for damage before installing the blade.
- DO use only reinforced abrasive blades or steel center diamond blades manufactured for use on masonry saws.

- DO use only blades marked with a maximum operating speed greater than the blade shaft speed. Verify speed by checking blade shaft rpm and pulley diameters and blade flange diameters.
- DO verify saw drive configuration by checking blade shaft RPM, pulley diameters, and blade flange diameter.
- DO read all safety materials and instructions that accompany any blade used with this machine.
- DO inspect each blade carefully before using it. If there are any signs of damage or unusual wear, **DO NOT USE THE BLADE.**
- DO mount the blade solidly and firmly. Wrench tighten the arbor nut.
- DO make sure the blade and flanges are clean and free of dirt and debris before mounting the blade on the saw.
- DO use dry cutting diamond blades with a 1" (diameter arbor only). Never use damaged or worn blade flanges.
- DO use the correct blade for the type of work being done. Check with blade manufacturer if you do not know if blade is correct.
- DO operate this machine only in well ventilated areas.
- DO instruct bystanders on where to stand while the machine is in operation.
- DO establish a training program for all operators of this machine.
- DO clear the work area of unnecessary people. Never allow anyone to stand in front of or behind the blade while the engine is running.
- DO make sure the blade is not contacting anything before starting the engine.
- DO always tie down the machine when transporting.
- DO use caution and follow instructions when setting up or transporting the machine.
- DO have all service performed by competent service personnel.
- DO verify the blade arbor hole matches the machine spindle before mounting the blade.
- DO make sure the gas caps of the machine and the fuel can are properly tightened before starting the engine. Move fuel can at least 10 feet from machine after fueling.
- DO clean the machine after each day's use.
- DO remove adjusting keys and wrenches from tool before turning it on.
- DO keep the handles dry, clean and free of oil and dirt.
- DO carefully maintain and clean for better and safer performance. Follow instructions for changing accessories. Inspect tool cords periodically and, if damaged, have repaired by authorized service facility.
- DO use the proper blade flange size for each blade size. Never use damaged or worn blade flanges.
- DO use caution when handling fuel.
- DO only cut in a straight line.
- DO **make sure electric powered machines are plugged into a properly grounded circuit.**
- DO **make sure power cords are the proper size and in good condition.**
- DO **follow all electrical codes in your area.**
- DO **use correct voltage and proper extension cords. Never carry tool by cord or yank it to disconnect it from receptacle. Keep cord away from heat, oil and sharp edges.**
- DO **disconnect tools from power source when not in use, before servicing and, when changing accessories.**
- DO **carefully maintain and clean for better and safer performance. Follow instructions for changing accessories. Inspect tool cards periodically and, if damaged, have repaired by authorized service facility.**
- DO always give a copy of this manual to the equipment user. For extra copies, call TOLL FREE 1-800-288-5040.

SAFETY FIRST!



WARNINGS DO's AND DO NOT's

WARNING: FAILURE TO COMPLY WITH THESE WARNINGS AND OPERATING INSTRUCTIONS COULD RESULT IN DEATH OR SERIOUS BODILY INJURY.

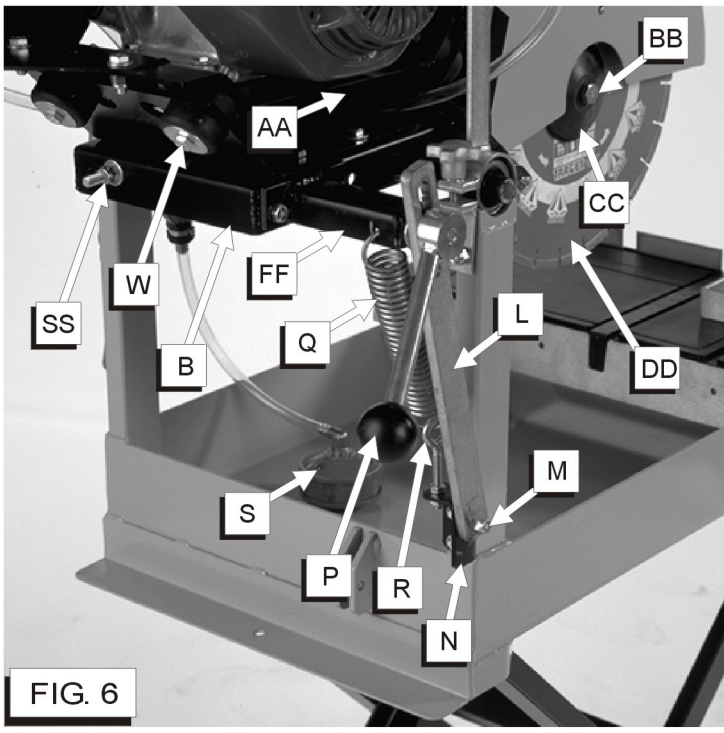
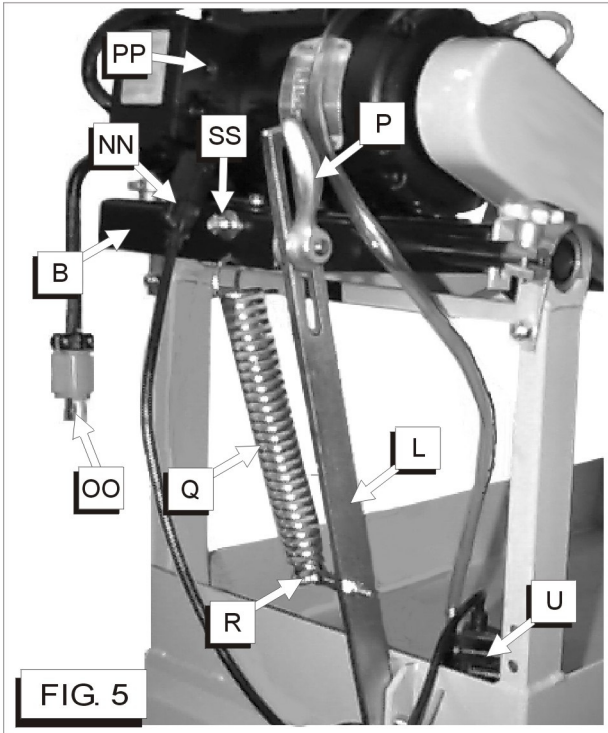
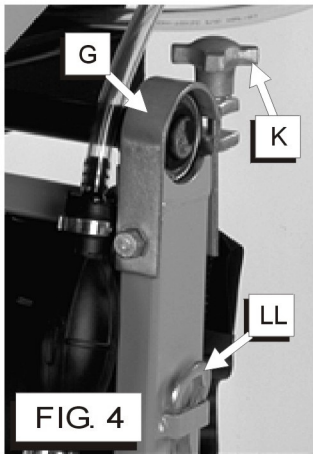
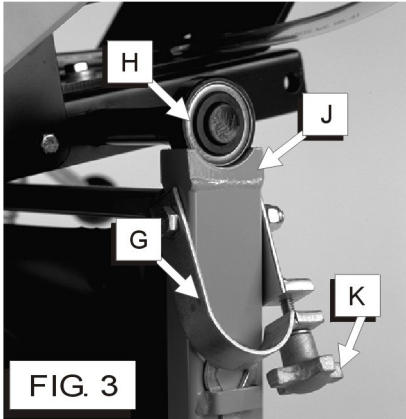
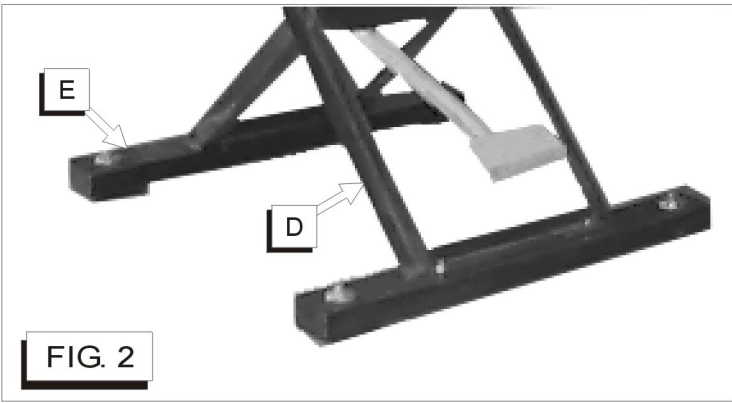
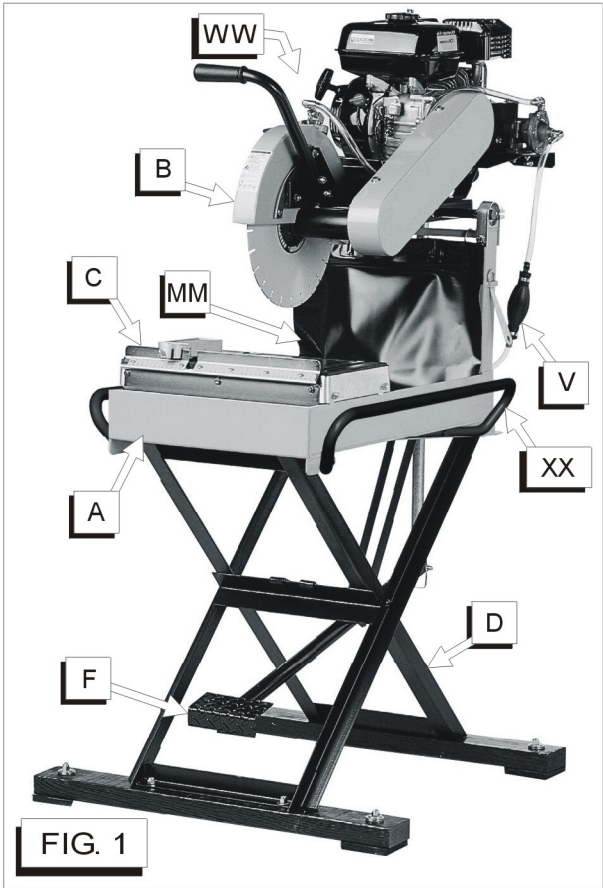
DO NOT

- DO NOT** operate this machine unless you have read and understood this operator's manual.
- DO NOT** operate this machine without the blade guard, or other protective guards in place.
- DO NOT** leave this machine unattended while the engine is running.
- DO NOT** work on this machine while the engine is running.
- DO NOT** operate this machine when you are tired or fatigued.
- DO NOT** use a wet blade without adequate water supply to the blade.
- DO NOT** exceed maximum blade speed shown for each blade size. Excessive speed could result in blade breakage.
- DO NOT** operate the machine if you are uncertain of how to run the machine.
- DO NOT** use damaged equipment or blades.
- DO NOT** touch or try to stop a moving blade with your hand.
- DO NOT** cock, jam, wedge or twist the blade in a cut.
- DO NOT** transport a cutting machine with the blade mounted on the machine.
- DO NOT** use a blade that has been dropped or damaged.
- DO NOT** use carbide tipped blades.
- DO NOT** lay power cords in or near water.
- DO NOT** replace the motor with any motor that does not have a special grounding connection.
- DO NOT** use segmented diamond blades without water unless specifically designed for dry cutting.
- DO NOT** touch a dry cutting diamond blade immediately after use. These blades require several minutes to cool after each cut.
- DO NOT** use damaged or worn blade flanges.
- DO NOT** allow other persons to be near the machine when starting, refueling, or when the machine is in operation.
- DO NOT** operate this machine in an enclosed area unless it is properly vented.
- DO NOT** operate this machine in the vicinity of anything that is flammable. Sparks could cause a fire or an explosion.
- DO NOT** allow blade exposure from the guard to be more than 180 degrees.
- DO NOT** operate this machine with the belt guard or blade guard removed.
- DO NOT** operate this machine unless you are specifically trained to do so.
- DO NOT** use a blade that has been over heated (Core has a bluish color).
- DO NOT** jam material into the blade.
- DO NOT** grind on the side of the blade.
- DO NOT** start cutting with a saw until you have a clear work area and secure footing.
- DO NOT** operate this machine while under the influence of drugs or alcohol.

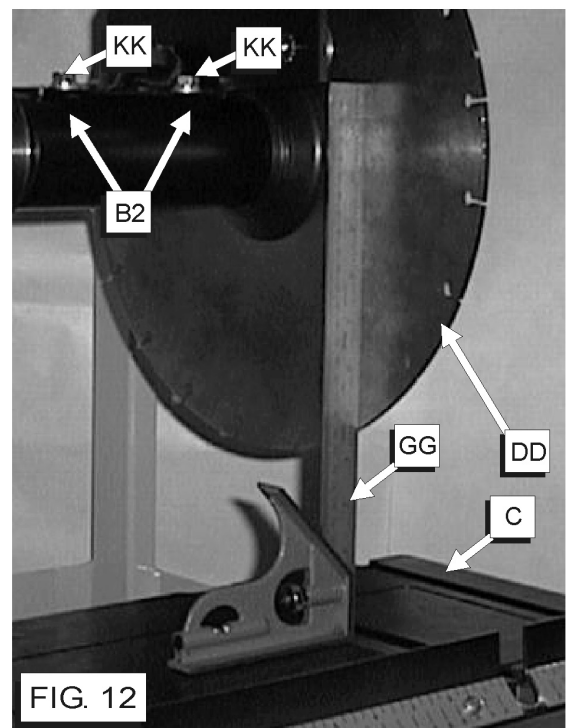
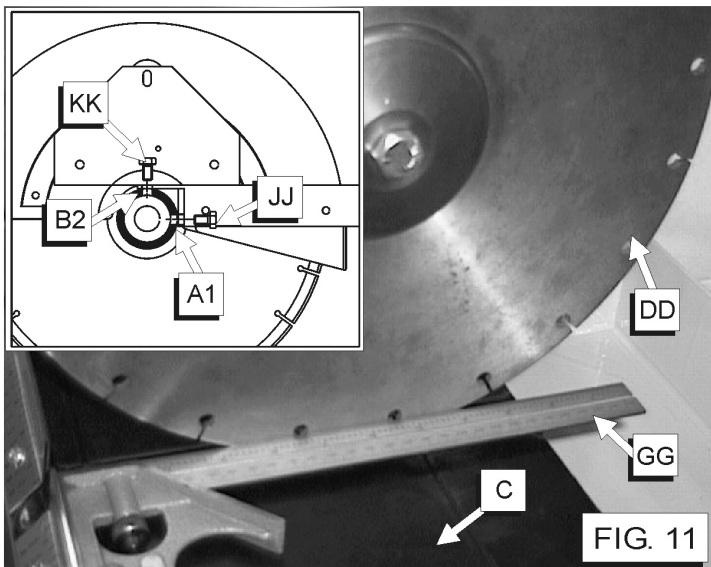
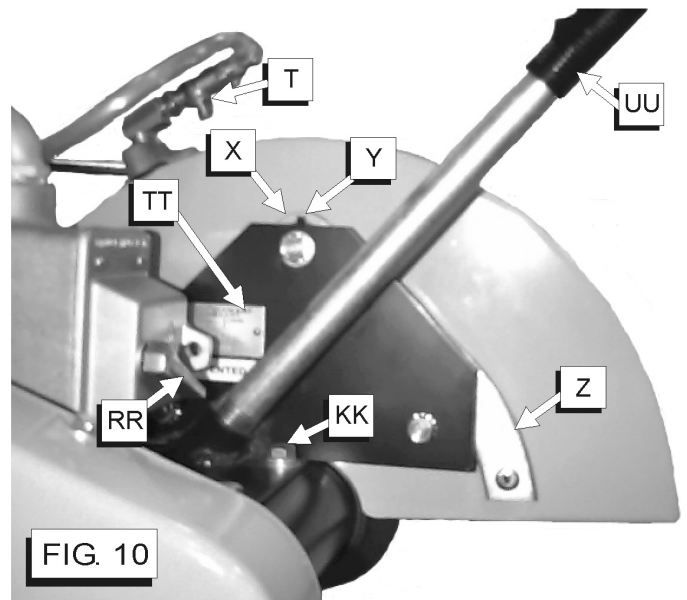
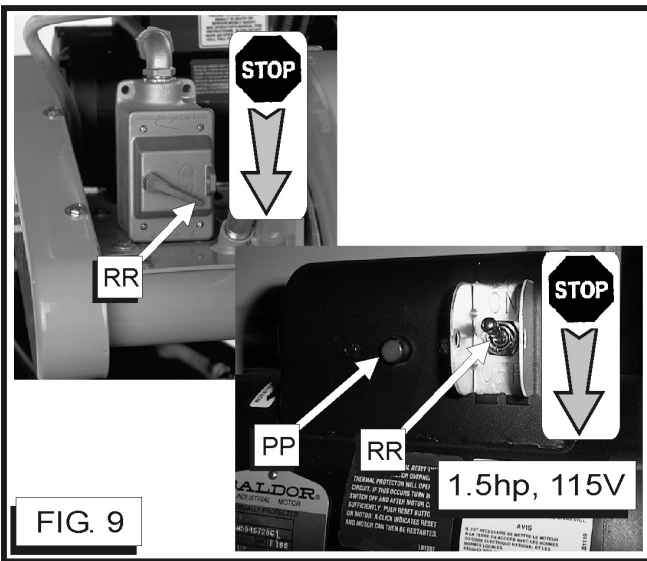
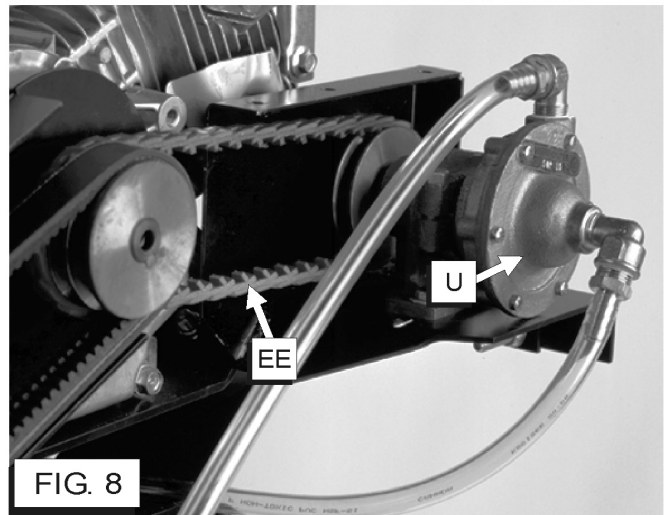
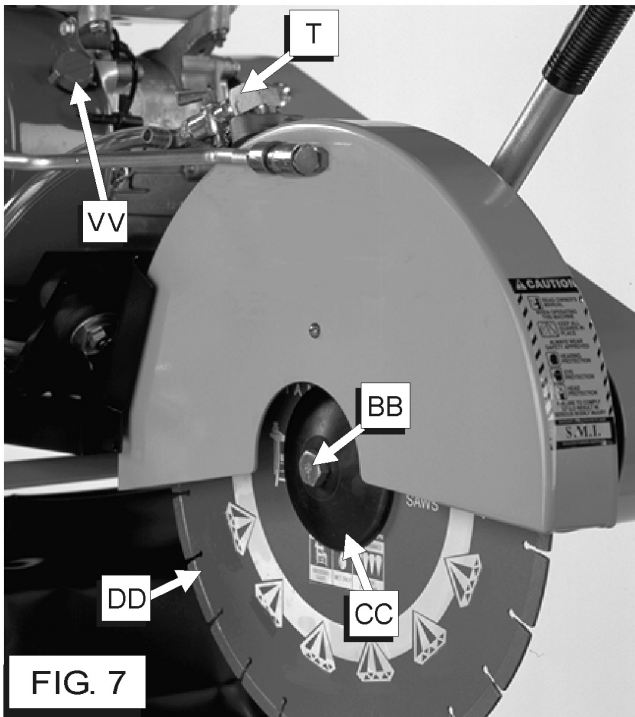
This saw was designed for certain applications only. **DO NOT** modify this saw or use for any application other than for which it was designed. If you have any questions relative to its application, **DO NOT** use the saw until you have written Diamant Bort, Inc. and we have advised you.

Husqvarna Construction Products, North America
17400 West 119th Street
Olathe, Kansas 66061
In USA 1-800-288-5040

FIGURES



FIGURES / FIGURAS



FIGURES

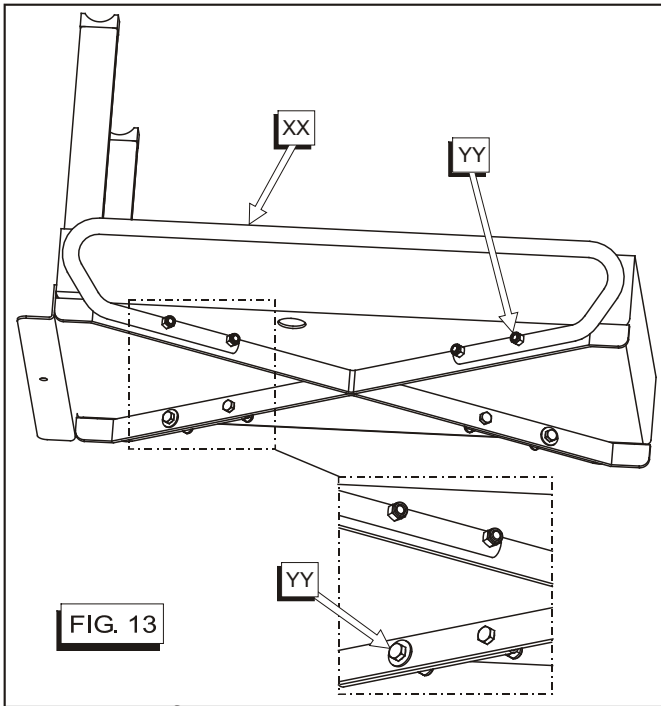


FIG. 13

Parts Identification:

- | | |
|---|---|
| <ul style="list-style-type: none"> A. Pan Weldment B. Head Platform Assembly C. Conveyor Cart Assembly D. Folding Stand (Optional) E. Skid Kit (Optional) F. Foot Pedal Kit (Optional) G. Bearing Clamps H. Bearings I. _____ J. Pivot Blocks K. Knobs (or Capscrews) L. Counterbalance Arm M. Capscrew N. Lower Bracket O. _____ P. Lock Handle Q. Spring R. Eyebolt S. Strainer (Gasoline Model) T. Water Valve U. Water Pump V. Primer Bulb (Gasoline Model) W. Isolator (Gasoline Model) X. Wheel (Blade Guard Pivot) Y. Setscrew (Blade Guard Pivot) Z. Track Bar AA. Engine Base | <ul style="list-style-type: none"> BB. Capscrew (Blade Shaft) CC. Outer Flange DD. Diamond Blade EE. Water Pump Belt (Gasoline Model) FF. Upper Spring Support GG. Square HH. Shims (Not Shown In Figures) II. _____ JJ. Capscrews (Blade Shaft Housing- Rear) KK. Capscrews (Blade Shaft Housing- Top) LL. Wrench MM. Splash Curtain NN. Electrical Cord (Water Pump) OO. Electrical Plug (Electrical Models) PP. Reset Button (Electric Models) QQ. _____ RR. Power Switch (Electric Models) SS. Belt Tensioning Bolt TT. Serial Number Plate UU. Hand Grip VV. Engine Stop Switch (Gasoline Model) WW. Oil Drain Hose XX. Lifting Handles YY. Handle Mounting Hardware |
|---|---|

PRE OPERATION CHECKLIST



Before leaving our factory, every machine is thoroughly tested. Follow our instructions strictly and your machine will give you long service in normal operating conditions.



Before starting up the machine, make sure you read this entire Operation's Manual and are familiar with the operation of the machine.

WITH MACHINE COLD AND SETTING LEVEL:

1. Gasoline Models: Check engine oil. Fill to the full mark on dip stick with 10W30 oil, class MS, SD, SE or better.
2. Electric Models: Verify all electrical connections are intact.

1 - 2 HOUR OPERATION CHECK LIST:



ALWAYS place the machine on a level surface with the engine/motor "OFF", the ignition switch set in the "OFF" position and disconnected from the power source before performing any maintenance. Let the machine cool down!!

1. Check the engine air cleaner hose clamps. Tighten as required.
2. Tension the blade drive V-belts. DO NOT over tension!!

SCHEDULED MAINTENANCE QUICK REFERENCE:



Before performing any maintenance, **ALWAYS** place the machine on a level surface with the engine/motor "OFF" and the ignition switch set in the "OFF" position.

SERVICE DAILY:

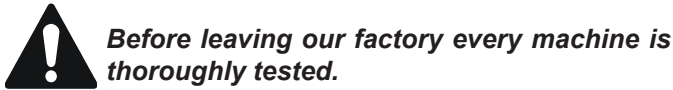
1. Check engine oil level.
2. Check blade guard for damage.
3. Check hoses and clamps for damage or looseness. Tighten or replace as necessary.
4. Check air cleaner. Clean or replace as required.
5. Clean the reservoir pan frequently.
6. At the end of each day, flush clean water through the water pump and hoses

SERVICE EVERY 50 HOURS:

1. Replace engine oil and filter.
2. Clean engine air fins.
3. Check blade drive V-belt tension.
DO NOT over tension!!!
4. Clean engine fuel bowl.



These signs will give advice for your safety



Follow our instructions strictly and your machine will give you long service in normal operating conditions.

1 Features

Use: Wet or Dry sawing of masonry and refractory materials such as brick and block. Not for use with material shapes that are unstable on a flat surface, such as rocks, natural stone, molded shapes, etc.

Tools: Diamond blades — dry or water cooled, Ø: 10" (250 mm), 12" (300 mm), and 14" (350 mm), with Arbor Ø 1" (25.4 mm).
(For information contact your Dealer)

Depth of Cut (Maximum):
5.00" (127 mm) with Ø 14" (350 mm) blade

Maximum Material Size:
8" x 8" x 16" (20.3 x 20.3 x 40.6 cm) block

Block must be rotated 180 degrees to complete cutting through 8" (20.3 cm) depth.

Nominal Weight: See "Specifications"

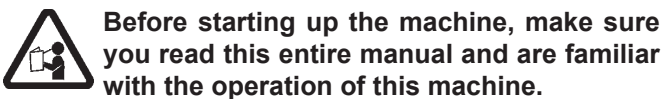
Operating Weight: See "Specifications"

Dimensions: See "Saw Dimensions"

Blade Guard Capacity:

Electric Models: 10" (250 mm), 12" (300 mm) & 14" (350 mm) Ø Blades.

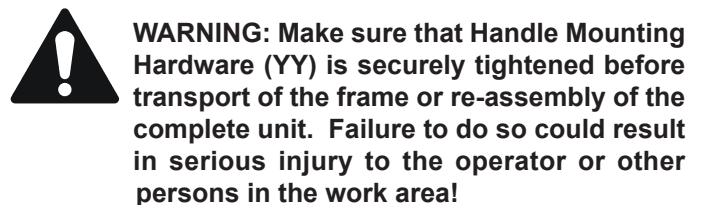
Gas Model: 14" (350 mm) Ø Only. Smaller Blade Diameter not recommended because blade will not cut through material. Head tilt is limited because the maximum engine inclination angle is 20 degrees.



2 Assembly

All Models: (FIGS. 1, 2, 3, 4 and 13)

- When unpacked, this unit consists of four (4) major parts: Pan Weldment (A), Head Platform Assembly (B) Cart Assembly (C) and Lifting Handles (XX) (FIG. 1).
- If this unit is to use the optional Folding Stand (D) (See Fig. 1) and Skid Kit (E) (See FIG. 2) assemble these items first. Follow the instructions provided with these options.
- Set the Pan Weldment (A) on a table or on the optional Folding Stand / Skid Kit (D / E) as shown in FIG. 1. It is very important that the Pan Weldment (A) be assembled on the Folding Stand (D) as shown in Fig. 1, or the optional Foot Pedal Kit (F) CAN NOT be assembled onto the unit.
- Attach the Lifting Handles (XX) as shown in FIG. 13 using the Mounting Hardware (YY) that is provided. Mount the hardware with the nuts toward the outside of the frame and the capscrews toward the inside of the frame. This will simplify mounting the saw on the Optional Stand. Four washers are to be assembled over the "slots" in the frame. Four of the eight washers are not required, but can be used if desired over the remaining holes. **Tighten the hardware securely.**



- Remove the Cart Assembly (C) from its shipping carton. Set the Cart Assembly (C) onto the Pan Weldment (A) so that the wheels of the Cart Assembly (C) roll along the sides of the Pan Weldment (A) (FIG. 1).
- Make sure that the left and right Bearing Clamps (G) on the Pan Weldment (A) are pivoted into their lowered position (FIG. 3). Carefully pick up the Head Platform Assembly (B) and mount it to the Pan Weldment (A) such that the Bearings (H) (on Head Platform) are resting in the Pivot Blocks (J) (on Pan Weldment) and that the blade shaft end of the Head Platform (B) is resting on the Cart Assembly (C) (FIG. 3).

- Pivot the left and right Bearing Clamps (G) into their upper position, and tighten the Knobs (K) [or Capscrews (K) depending on the date of manufacture] until the Head Platform (B) is secured to Pan Weldment (A) (FIG. 4).
- **Note:** If the unit uses Capscrews (K) to hold the Bearing Clamps (G) in place, tighten them with the 1/2" end of the Wrench (LL) provided with the saw (FIG. 4).

Electric Models (FIG. 5):

- Install the Counterbalance Arm (L): Place the slotted end of the Counterbalance Arm onto the stud located on the Left Hand Rear Corner of the Head Platform Assembly (B). Be sure to put 1/2" Washers on both side of the ARM before installation. Note that the lower hole of the ARM is positioned toward the Pan Weldment (A). A capscrew holds the ARM to the brackets on the back of the Pan Weldment through this lower hole.
- Install the Lock Handle (P) onto the stud on the Left Hand corner of the Head Platform Assembly (B). Tighten the Lock Handle (P) so that the Head Platform Assembly (B) is securely locked with the blade shaft in the maximum upper position.
- Make sure that the Eyebolt (R) is securely fastened onto the Arm (L), and note that the eye of the Eyebolt (R) should be aligned with the spring mounting hole in the Head Platform Assembly (B).
- Attach the top of the Spring (Q) through the hole in the rear flange of the Head Platform Assembly (B). With a tool (such as a screwdriver), stretch the lower end of the Spring (Q) so that it is hooked over the Eyebolt (R).
- Install the Water Pump (U) by plugging its Electrical Cord (NN) into the electric motor pigtail cord. Install the hose barb fitting onto the Water Pump (U), then push on the hose. Route hose & electrical cord above the cross-brace of the Pan Weldment (B) to avoid contact with the blade during operation and so that the splash curtain can be easily installed (NOT as shown in Figure 5). Place the Electric Water Pump (U) in the bottom of the Pan Weldment (A). Hook the top of the Splash Curtain (MM) over the head pivot bar, & place the bottom of the Splash Curtain (MM) in the pan (Fig. 1).
- Single phase masonry saw motors are furnished with the correct NEMA configuration Plug (OO) on the motor pigtail. The matching connectors are as follows:

Electric Motor Plugs & Connectors			
Motor	Wired For Voltage	Motor Pigtail Plug (NEMA No.)	Connector Required (NEMA No.)
1-1/2 HP	115 V	L5-20P	L5-20R
2 HP	230 V	L6-15P	L6-15R
3 HP	230 V	L6-30P	L6-30R

To change operation to either 115, or 230 V, the 1-1/2 and 2 HP motors have a voltage change switch mounted on the terminal box. This switch must be changed to either 115, or 230 Volt, to match the voltage supply. Local electrical codes may require changing the plug on the motor to the proper NEMA connector to match the voltage supply.



WARNING: Always make sure the saw is connected to a properly grounded electrical outlet. Failure to comply with this warning could result in serious bodily injury or death!



WARNING: DO NOT operate on low voltage! Low voltage causes loss of power, motor overheating, and possibly motor winding burnout. Voltage should be checked at the motor while it is operating.

Good motor performance depends on proper voltage. Extension cords that are too long and / or too small reduce the voltage to a motor under load. Use extension cords NO SMALLER than the sizes indicated in the chart shown:

EXTENSION CORD SIZE (A.W.G. Minimum)						
Motor HP	50 ft Long		75 ft Long		100 ft Long	
	115 V	230 V	115 V	230 V	115 V	230 V
1-1/2 HP	#10	#14	#10	#14	#10	#14
2 HP	#10	#12	#10	#12	#10	#12
3 HP	---	#10	---	#10	---	#10

Gasoline Model (Fig. 6):

- Assemble the Upper Spring Support (FF) using the two (2) 3/8"-16UNC x 1.00" Long Capscrews and 3/8"-16UNC Locknuts provided.
- Install the Counterbalance Arm (L). Loosely assemble the 3/8" x 1.00" Long Capscrew (M) and 3/8"-16UNC Locknut through the Lower Bracket (N) and the lower end (13/32" diameter hole) of the Counterbalance Arm (L).
- Raise the Head Platform Assembly (B) until the slot in the Arm (L) can be put onto the 1/2" Stud on the Upper Spring Support (FF). Be sure to install the 1/2" flat Washers (Supplied) on both sides of the Arm (L).
- Mount and secure the Lock Handle (P) onto the 1/2" Stud of the Upper Spring Support (FF). Tighten the 3/8" x 1.00" Long Capscrew (M) and 3/8"-16UNC Locknut previously installed at the Lower Bracket (N).
- Install the upper end of the Spring (Q) in the hole in the rear of the Upper Spring Support (FF). Loosen the Lock Handle (P) and pivot the Head Platform Assembly (B) so that the blade shaft is in the upper position, then tighten the Lock Handle (P) securely. Using a tool (such as a screwdriver or pliers) stretch the lower end of the Spring (Q) so that it is secured into the Eyebolt (R) on the Lower Bracket (N).
- Install the hoses to the water pump. They must be connected together as shown in the parts list section of this document. Place the Strainer (S) in the bottom of the Pan Weldment (A) after connecting the hose. Hook the top of the Splash Curtain (MM) over the head pivot bar, & place the bottom of the curtain in the pan (FIG. 1).
- When the unit is fully assembled, but before starting the engine, verify that the engine does NOT exceed 20 degrees angle of inclination in any position of the Head Platform [Use an angle measuring gauge (customer supplied) held flat against the Engine Platform (AA)].



CAUTION: Engine inclination angles greater than 20 degrees could cause severe engine damage and void your engine warranty!

Wet Configuration:

- Fill the water reservoir pan [Pan Weldment (A)] with water to within 1 inch (25 mm) of the top. Be sure that the water pump intake Strainer (S) (Figure 6 - Gasoline Model) or Electric Water Pump Intake (U) (Figure 5 - Electric Model) is fully immersed in water at all times. Keep the intake screen of these items clean and free of sludge, slurry, or other foreign material.

Dry Configuration:

- All Models:



WARNING: Conventional “Wet” diamond blades MUST be used with water. DO NOT use conventional “Wet” diamond blades without water. Using conventional “wet” diamond blades without water can result in injury or death of the operator or persons in the work area!



WARNING: When cutting without water use only diamond blades that are intended to be used dry (without water). Conventional “Wet” diamond blades MUST be used with water.

⇒ Hint: To reduce vibration of the saw, the water reservoir pan [Pan Weldment (A)] can be filled with sand. Be sure to remove the Water Pump (U) (Electric Models) or the water pump intake Strainer (S) (Gasoline Model) to avoid contaminating it with dirt or sand.



WARNING: Always use respiratory protection when dry sawing.

Electric Model (Figure 5):

Before cutting dry unplug the Water Pump (U) from the electric motor by disconnecting the Electrical Cord (NN).

Gasoline Model (Figure 8):

Remove the water pump drive V-Belt (EE):

1. Remove the two shields covering the Water Pump belt drive, and the belt guard (Not Shown).
2. Loosen the two (2) bolts that hold the Water Pump in position. Loosen the drawbolt that tensions the water pump belt.
3. Slide the water pump forward and remove the belt from the water pump pulley.
4. Disassemble the water pump V-Belt (EE):
 - a. Turn the belt inside out and with one hand squeeze the two strands of the belt together.
 - b. Twist one tab 90 degrees so that it is parallel with the slot in the adjacent link.
 - c. Pull the end of that link over the tab.
 - d. Pull belt end through the other two links.
5. Re-install the Belt Guard and water pump shields. Save the water pump belt so that it can be re-installed if the unit needs to be used for wet cutting.



CAUTION: DO NOT run the Water Pump (U) for extended periods of time without water! The Water Pump could be damaged!

CUTTING OPERATIONS:

- Place material on Conveyor Cart (C) and move conveyor cart to the front of the saw so that the blade DOES NOT contact the material.
- Cutting Methods: This unit allows three methods for the blade to contact the material:
 1. Fixed Head: Position the head to the desired height, then tighten the Lock Handle (P) (Figures 5 & 6). Then the material can be pushed into the blade.
 2. Hold the Hand Grip (UU) and lower the blade into the material (See Fig. 10). The blade will return to the upper position when force is released.
 3. Push the optional Foot Pedal Kit (F) (Fig. 1) with your foot to lower the blade into the material. The blade will return to the upper position when force is released.

Start / Stop (Electric Models): (Figures 9 & 10)

- Open the Water Valve (T) fully, and check the water flow before cutting.
- Start the electric motor by turning the Power Switch (RR) to the "ON" position.
- Cut the material using one of the Cutting Methods described in the above section.



WARNING: Keep hands clear of rotating blade during operation. READ ALL SAFETY WARNINGS before operating this machine.



CAUTION: DO NOT cut into the cast aluminum area of the Conveyor Cart (C). The blade should only cut into the wooden insert area of Conveyor Cart (C)!

STOPPING THE UNIT (Electric Models):



Stop the unit by turning the Power Switch (RR) to the OFF position. (Fig. 9) Wait for all blade movement to stop before removing material from the machine.

Start / Stop (Gasoline Models): (See Figures 1 & 7)

- Open the Water Valve (T) (Fig. 7) and prime the Water Pump (U) using the Primer Bulb (V) (Fig. 1). Squeeze the Primer Bulb until water passes through the blade guard water tubes.
- Start the engine by using the procedure in the engine operation manual.
- Open the engine throttle full open. All sawing is done at full throttle. DO NOT change the engine governor setting — it is factory set for the correct speed. See the “Specifications” section of this document for proper engine & blade shaft RPM.



WARNING: Keep hands clear of rotating blade during operation. READ ALL SAFETY WARNINGS before operating this machine.

- Adjust the water flow with the Water Valve (T), and check the water flow before cutting.
- Cut the material using one of the Cutting Methods described in the above section.

STOPPING THE UNIT (Gasoline Models):

Normal Operation: Stop the unit by following the procedure in the engine operation manual. Wait for all blade movement to stop before removing material from the machine.



Emergency: Turn the Engine Stop Switch (VV) to the OFF position (Fig. 7).

6 Incidents During Operation

- If the engine or motor stops during sawing, check the following:

Electric Model:

1. Interruption to electrical connection: Check all electrical connections.
2. Manual Overload switch has been tripped: Single phase, 60 Hertz motors are equipped with a manual overload Reset Button (PP) (Fig. 5). If the motor stops because of an electrical overload and the overload Reset Button (PP) trips, turn the motor Power Switch (RR) to the OFF position (Fig. 9). Allow the motor to cool for 5 to 10 minutes, then push the Reset Button (PP). A click indicates that the motor is reset and ready for operation. Restart the motor by turning the Power Switch (RR) to the ON position.

Gasoline Model:

1. Out of fuel: Check fuel level.
 2. Low Oil Level: This unit is equipped with a shut down system that stops the engine if a low oil level is encountered. Check the engine oil level with the Head Platform Assembly (B) pivoted so that the engine is in a horizontal position.
- If the engine, motor or blade stalls for any reason, raise the blade completely out of the cut, inspect the machine thoroughly before restarting. When lowering the blade into a partial cut, align the blade exactly with the cut to prevent damage to the blade.
 - Excessively fast cutting will stall the engine or motor.
 - If the blade stops during sawing check that the drive belt tension is adequate.

7 Maintenance



WARNING: Before performing any maintenance, ALWAYS locate the machine on a level surface with the engine / motor OFF, and the start switch in the OFF position, or power source disconnected.

After each use: **CLEAN** the machine.

Check Daily (All Models):

- Clean the reservoir pan [Pan Weldment (A)] to remove sludge and slurry. This concrete slurry is an abrasive cutting compound and will shorten the life of the Water Pump (U) and the Diamond Blade (DD). Clean the reservoir pan twice a day in heavy cutting. Then refill the water reservoir pan with clean water.
- At the end of each day clean the water reservoir pan [Pan Weldment (A)] to remove sludge from the saw. Flush clean water through the Water Pump (U) and hoses.

Gasoline Model:

1. Check engine air cleaner daily! If cutting dry check engine air cleaner every four hours! Clean or replace air cleaner element as recommended by the engine manufacturer.
2. Check engine oil daily. Change engine oil after every 50 hours of operation. See engine operation manual for proper care and maintenance.

Gasoline Model:



- Change Engine Oil: Change engine oil after every 50 hours of operation.
- Engine Oil Type: Under normal operating conditions use SAE 10W30 API service classification SF or SG. See engine operation manual for other recommended oil types.
- Engine Oil Capacity (Honda GX160)
0.63 U.S. Quarts, 0.6 Liters, 0.63 Imperial Quarts

Engine Oil Change Procedure:

1. Drain the oil while the engine is still warm to assure rapid and complete oil drain. Pivot the Head Platform (B) so that the blade is in the lowered position. Place a bucket in the Pan Weldment (A) under the Oil Drain Hose (WW) to catch the used oil. Remove the oil drain plug on the end of the Oil Drain Hose (WW) [Fig. 1] and wait for all of the used oil to be drained for the engine.
2. Re-install and securely tighten the plug in the Oil Drain Hose (WW).
3. Re-fill engine with the recommended oil type. See the engine operation manual for the oil fill location and proper oil level. Note that the required oil capacity will be larger because of the volume of oil contained in the Oil Drain Hose (WW).
4. Re-install the oil fill cap.
5. Dispose of the used oil in a proper container and in a manner that is compatible with the environment.

When Required:

- “Sta-Level” Blade Guard (Fig. 10): If the blade guard becomes loose and pivots too freely the blade guard rotation can be tightened. Adjust the Top Wheel (X) of the three (3) wheels behind the blade guard:

1. Loosen the nut holding the Top Wheel (X).
2. Adjust the Setscrew (Y) to force the Top Wheel (X) down against the Track Bar (Z).
3. Re-tighten the nut holding the Top Wheel (X) in position.

Blade Alignment (FIGS. 11 & 12):

- The blade shaft arbor on this machine is aligned at the factory so that a new blade will cut “square” with the

material placed on the Cart Assembly (C). If the saw or Head Platform Assembly (B) is dropped or damaged the blade could become mis-aligned so that it no longer cuts “squarely” through the material. If this occurs the blade shaft should be re-aligned so that the saw will produce “square” cuts. If the Blade is severely out of alignment [1/16" (1.5 mm) or more] the Head Platform Assembly (B) may need to be “bent” so that the blade is closer to being aligned. In cases of severe damage the Head Platform Weldment should be replaced. Precise alignment can be achieved by using Shims (HH) of various thickness. See the parts list section of this document for the part number and thickness information about the shims.

⇒ **Note:** Before starting to align the head platform make sure the blade is flat and is NOT bent or damaged!

⇒ **Note:** When aligning the blade against the square be sure to allow for the difference in thickness between the diamond segment and the center core of the blade!

1. Make sure the Conveyor Cart (C) rolls freely along the pan. If the pan is damaged it must be repaired or replaced before the blade can be aligned. Lock the Head Platform Assembly (B) securely in a horizontal position.
2. PARALLEL ALIGNMENT (Figure 11): Supply a Square (GG) and place it on the Conveyor Cart (C) and roll the cart while the Square (GG) rests against the blade. Adjust the Blade Shaft into Parallel Alignment (if required) by putting Shims (HH) between the blade shaft housing and the head platform weldment at location “A1” (Figure 11). Loosen, but do not remove, the Capscrews (JJ) holding the blade shaft in position. Slide a shim, of the proper thickness, upward and position around the thread of one of the capscrews. Tighten the hardware and check the blade alignment. Add more shims if required until the blade shaft has Parallel Alignment.
3. PERPENDICULAR ALIGNMENT (Figure 12): Place the Square (GG) on the Conveyor Cart (C) so that it is against the saw blade and is below the center of the blade shaft. If the Square (GG) does NOT contact the Diamond Blade (DD) along the entire height of the square, the blade shaft must adjusted into Perpendicular Alignment. Adjust the blade shaft by putting Shims (HH) between the blade shaft housing and the head platform weldment at location “B2” (Figure 12). Loosen, but do not remove, the Capscrews (KK) that hold the blade shaft in position. Slide a shim, of the proper thickness, inward and position around the thread of one of the capscrews. Tighten the hardware and check the blade alignment. Add more shims if required until the blade shaft has Perpendicular Alignment.

8

V-Belt Tension

All Models (FIGS. 5 & 6):

- Check V-Belt tension when unit is new and never set belt tension beyond this point.
- The saw is equipped with high tension V-Belts. The belts are properly tensioned at the factory, but after a few hours of operation they will stretch and become loose.
- Tensioning Blade Shaft V-Belts:
 1. Loosen the four (4) capscrews that attach the motor (Electric Models), or the Engine Platform (Gasoline Models).
 2. Tighten the Belt Tensioning Bolt (SS) at the rear of the saw until the belt is tightened to the original factory tension.
 3. Re-tighten the four (4) capscrews that attach the motor (Electric Models), or the Engine Platform (Gasoline Models).

Electric Model:

- See “All Models” from above text.

Gasoline Model:

- Blade Shaft V-Belt Tension (FIG. 6): Excessive belt tension will cause engine misalignment because the engine is mounted on four (4) rubber vibration Isolators (W). Stop tensioning the blade shaft drive V-belt when the center section of the front right hand Isolator (W) begins to separate from its mounting plate. Tensioning the Blade Shaft drive V-Belt beyond this point is not recommended because the front right hand Isolator (W) will not function properly.
- Water Pump V-Belt (EE) Tension (FIG. 8): May need to be tightened after a few hours of operation. Over time this V-Belt may stretch beyond the length of the adjustment slot. If this happens simply remove the V-Belt and take out one or more links (as required) from its length.

9

Important Advice

- Never transport the saw with the cutting head positioned on the frame. The movement can knock the head out of alignment.
- When storing for an extended period of time, use a wire brush to remove hard, caked sludge. Clean and thoroughly lubricate moving parts - so on the next job the saw is ready for operation.
- Drive belts must be tight. When the belts are loose, power is lost. Replace worn belts without delay!
- The blade must fit the arbor snugly - especially diamond blades. Otherwise, pounding will occur and this will seriously damage the blades. If the arbor shoulder is grooved where the diamond blade has bound in the cut as the shaft has continued to turn, the arbor must be replaced, or the blade life will be severely shortened.

- Blade flanges must be full diameter - minimum of 4" (100 mm). Replace worn flanges at once because undersized flanges shorten blade life and cause blade breakage.
- Check the conveyor cart condition on a regular basis. Replace the wheels and the wooden insert frequently.
- Be certain the cutting head is correctly aligned. Blade misalignment because of handling damage, or transporting the saw with the cutting head on the frame can seriously affect blade life.
- Replace noisy bearings immediately! Worn bearings will quickly destroy the blade.
- Flush clean water through the pump and spray the assembly after every job to prolong the pump and blade life.
- Diamond blades may need to be "sharpened". Blades may be efficiently "dressed" with dressing sticks.



WARNING: Never use fire bricks to "sharpen" or dress diamond blades!

- Abrasive blades must be a reinforced type. Never use an abrasive blade with water. These products can be damaged by operator abuse such as jamming the material into the blade. This can also be hazardous!

10 Accessories

The following accessories and kits are available for this machine. See the Parts List section of this document for the part number. For additional information contact your local dealer or call our Toll free Customer Service Telephone number shown on the front cover:

- Folding Stand Assembly
- Skid Kit
- Foot Pedal Kit
- Wheel Kit, Conveyor Cart (Set of 4)
- Adapter Cord, 115V, 15 Amp Straight To 20 Amp Twist-Lock (For 1-1/2 HP Motor Only)
- Water Pump Repair Kit *
- Conveyor Cart Kit, Complete *
- Ruler Set, Conveyor Cart *

* **Note:** This item has a different part number for the electric and gasoline units.

11 Repairs

We carry out all repairs in the shortest possible time and at the most economical prices. See front cover for our address and telephone numbers.

12 Spare Parts

For a quick supply of spare parts it is essential to quote the data shown on the Serial Number Plate (TT) [FIG. 10] fixed to the machine. Make note of this information below for quick reference:

Reference Information

Model No: _____

Serial No: _____

Date Received: _____

NOTES:

The instructions for use and spare parts found in this document are for information only and are not binding. As part of our product quality improvement policy, we reserve the right to make any and all technical modifications without prior notice.



The manufacturer accepts no responsibility caused by unsuitable use or modifications.

NOTE:
NOTA:

ESPECIFICACIONES				
MODELO NO.	TS 355-15	TS 355-2	TS 355-3	TS 355 G
TIPO	1-1/2 HP, Eléctrico	2 HP, Eléctrico	3 HP, Eléctrico	5,5 HP, A Gasolina
Capacidad del Protector de la Hoja:	10 - 14" (250 - 350 mm)	10 - 14" (250 - 350 mm)	10 - 14" (250 - 350 mm)	14" Only (350 mm)
RPM del Eje de la Hoja:	2509	2509	2509	2950
Profundidad Máxima de Corte:	5.0" (127 mm)			
Tamaño del Eje de la Hoja:	1.00" (25.4 mm)			
Eje de la Hoja:	Cojinetes a Rodillos Sellados			
Transmisión del Eje de la Hoja:	Dos Cintas en V 4L370	Dos Cintas en V 4L370	Dos Cintas en V 4L370	Cinta en V 3VX (2 Bandas)
Protector de la Hoja:	Acero de una Pieza, Diseño Sta-LevelMR, Capacidad Máxima de 14" (350 mm)			
Enfriador de la Hoja:	Agua			
Bandeja para Agua:	3,86 x 17,73 x 30,73 pulgadas (98 x 450 x 780,5 mm), 6,75 galones (25 litros) de capacidad (A 3 "de profundidad)			
Carro Transportador:	Aluminio Fundido con Tope de Goma Vulcanizada, Regla de Medición Ajustable, Guía de Corte de 45° / 90°			
Bomba de Agua: Modelos Eléctricos: Modelo a Gasolina:	300 Galones / Hora, Sumergible, Sellado Totalmente con Epoxy, Protegido Contra Sobrecarga Térmica 8 GPM, Transmisión por Cinta, Bronce Sólido, Con Retén y Bomba con Cebador Incluido con Válvula de Verificación			
Armazón:	De Alta Resistencia, Acero en "X" Reforzado, Soldado con Portapiezas, Diseño de Cuello Abierto para Ilimitados Longitudinales			
Peso: Libras (kg):				
Sierra Embalada:	171 (77.7)	182 (82.7)	192 (87.3)	209 (95.0)
Sierra No Embalada:	160 (72.7)	169 (76.8)	181 (82.3)	198 (90.0)
Sierra En Operación (Agua en la Bandeja):	221 (100.5)	230 (104.5)	242 (110.0)	259 (117.7)
Soporte Doblable (Sin Caja):	24 (10.9)			
Equipo de Pedal de Pie (En Caja):	14 (6.4)			
Cable de Conexión Eléctrica:	0.40 (.18)	N / A	N / A	N / A

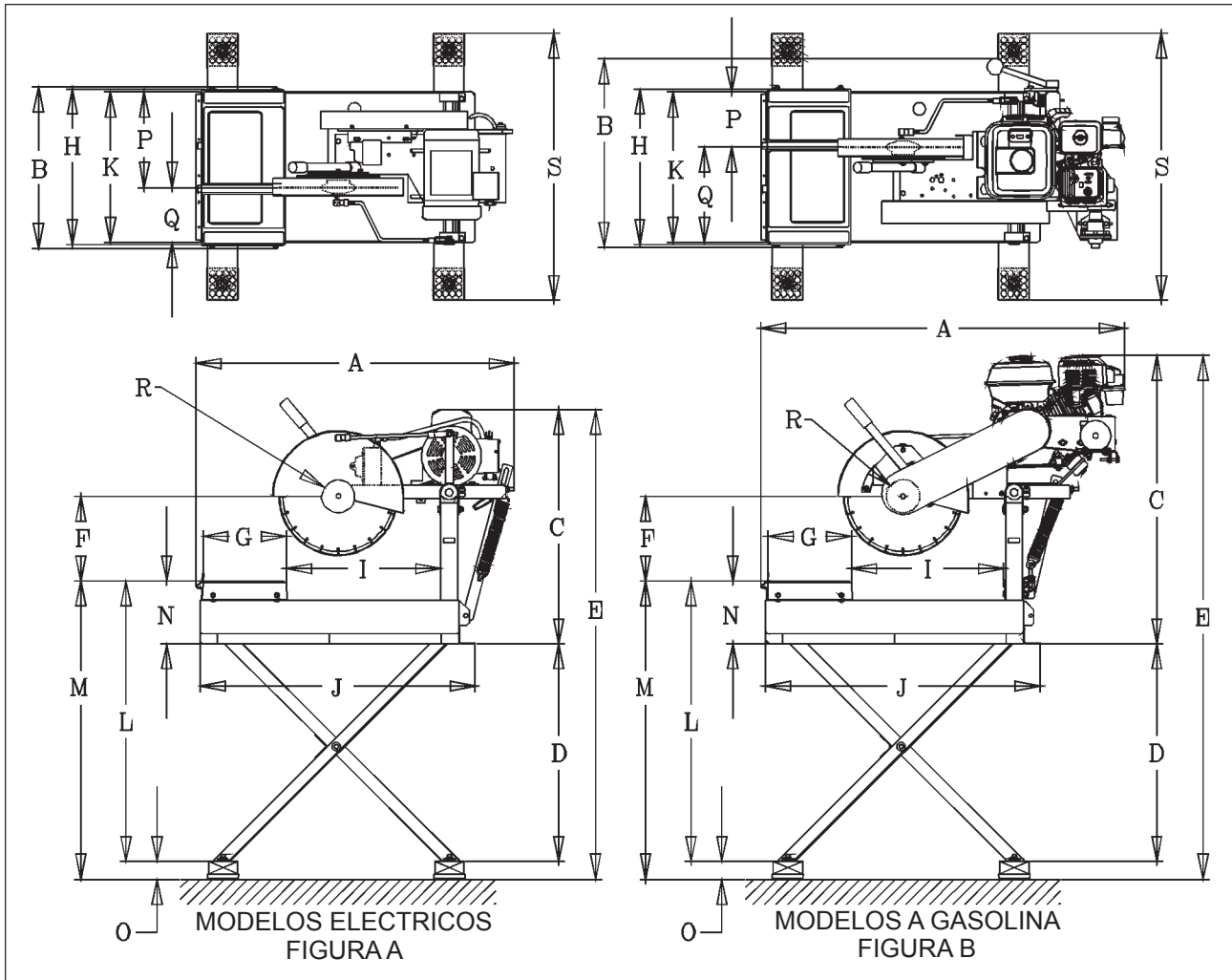
FUENTE DE ENERGIA				
MODELO NO.	TS 355-15	TS 355-2	TS 355-3	TS 355 G
TIPO:	Eléctrico	Eléctrico	Eléctrico	Gasolina
Engine / Motor:	Baldor	Baldor	Baldor	Honda
Potencia (kw):	1-1/2 (1.1)	2 (1.5)	3 (2.2)	5.5 (4.0)
RPM:	3450	3450	3450	3500
Especificaciones:	T.E.F.C.	T.E.F.C.	T.E.F.C.	——
Voltaje:	115 / 208-230	115 / 208-230	208-230	——
Ciclo (Hz)/ Corriente/ Fase:	60 / A.C. / 1	60 * / A.C. / 1	60 * / A.C. / 1 **	——
Desplazamiento:	——	——	——	9.9 cu. Inch (163 cc)
Diámetro Interno del Cilindro:	——	——	——	2.7 inch (68 mm)
Tiempo:	——	——	——	1.8 inch (45 mm)
Cilindros/Ciclo:	——	——	——	1 / 4
Capacidad de Combustible:	——	——	——	0,95 Galones (3,6 litros)
Capacidad de Aceite:	——	——	——	0,63 Cuartos de Galón (0,6 litros)
Filtro de Aire:	——	——	——	Tipo Seco Elemento Dual con Pre-limpiador
Arrancador:	Capacitor	Capacitor	Capacitor	Retroceso
Enfriador:	Aire			

* Motores de 50 ciclos disponibles sobre pedido especial: el modelo de 2 HP es de 240 Voltios, el modelo de 3 HP es de 220-380 Voltios.

**Motor de 3 fases disponible sobre pedido especial - especificar 230 ó 460 voltios para el cableado en fábrica.

Nota: Para obtener los números de los artículos en los motores/máquinas, vea la sección de lista de piezas de este documento. Las especificaciones están sujetas a cambios sin notificación.

DIMENSIONES DE LA SIERRA



DIMENSIONES DE LA SIERRA

MODELOS ELECTRICOS (Ilustración A)			MODELOS A GASOLIA (Ilustración B)		
Artículo	Longitud (cm)	Descripción	Artículo	Longitud (cm)	Descripción
A	38,2" (97,0)	Longitud de la Sierra (Máxima)	A	43,6" (110,7)	Longitud de la Sierra (Máxima)
B	19,4" (49,3)	Ancho de la Sierra (Máximo)	B	22,7" (57,7)	Ancho de la Sierra (Máximo)
C	28,2" (716,3)	Altura de la Sierra (Minima)	C	34,8" (88,4)	Altura de la Sierra (Minima)
D	26,1" (66,3)	Altura del Soporte (Opcional)	D	26,1" (66,3)	Altura del Soporte (Opcional)
E	56,4" (143,3)	Altura de la Sierra (Máxima)	E	63,0" (160,0)	Altura de la Sierra (Máxima)
F	3,8 - 15,1" (9,6 - 38,4)	Altura del Eje de la Hoja (Mínimo - Máxima)	F	6,4 - 15,0" (16,2 - 38,2)	Altura del Eje de la Hoja (Mínimo - Máxima)
G	10,0" (25,4)	Longitud del Carro	G	10,0" (25,4)	Longitud del Carro
H	18,7" (47,5)	Ancho del Carro	H	18,3" (47,5)	Ancho del Carro
I	18,5" (47,0)	Viaje del Carro	I	18,3" (46,5)	Viaje del Carro
J	33,0" (76,2)	Longitud de la Base de la Sierra	J	33,0" (76,2)	Longitud de la Base de la Sierra
K	18,0" (45,7)	Ancho de la Bandeja	K	18,0" (45,7)	Ancho de la Bandeja
L	33,7" (85,6)	Soporte al Tope del Carro	L	33,7" (85,6)	Soporte al Tope del Carro
M	35,8" (90,9)	Patin al Tope del Carro	M	35,8" (90,9)	Patin al Tope del Carro
N	7,6" (19,3)	Base al Tope del Carro	N	7,6" (19,3)	Base al Tope del Carro
O	2,1" (5,3)	Altura del Patin (Opcional)	O	2,1" (5,3)	Altura del Patin (Opcional)
P	11,5" (29,2)	Carro - Costado Izquierdo	P	6,5" (16,5)	Carro - Costado Izquierdo
Q	6,5" (16,5)	Carro - Costado Derecho	Q	11,5" (29,2)	Carro - Costado Derecho
R	4,0" (10,16)	Diámetro de la Brida	R	4,0" (10,16)	Diámetro de la Brida
S	32,0" (81,3)	Ancho del Patin (Opcional)	S	32,0" (81,3)	Ancho del Patin (Opcional)

¡SEGURIDAD ANTE TODO!



ADVERTENCIAS HACER y NO HACER

ADVERTENCIA: EL NO RESPETAR ESTAS ADVERTENCIAS E INSTRUCCIONES DE OPERACION PUEDE PROVOCAR GRAVES LESIONES O LA MUERTE.

- SI Lea todo el manual antes de manejar esta máquina. Entienda todas las advertencias, instrucciones y controles.
- SI Mantenga siempre las protecciones en su lugar y en buenas condiciones.
- SI Siempre use protecciones aprobadas para los oídos, ojos, cabeza y respiración.
- SI Lea y entienda todas las advertencias e instrucciones sobre la sierra.
- SI Lea y entienda las definiciones de los símbolos que aparecen en este manual.
- SI Mantenga todas las partes de su cuerpo alejadas de la hoja y de todas las piezas móviles.
- SI Aprenda cómo parar la sierra rápidamente en caso de emergencia.
- SI Apague el motor y déjelo enfriar antes de cargar combustible.
- SI Verifique que la hoja, las bridas y los ejes no estén dañados antes de instalar la hoja.
- SI Utilice hojas abrasivas reforzadas de alta velocidad, o bien, hojas diamantadas con centro de acero fabricadas para uso en sierras para hormigón.
- SI Utilice solamente hojas abrasivas marcadas para velocidad máxima de funcionamiento mayor que la velocidad del eje de la hoja.
- SI Verifique la velocidad comprobando las rpm del eje de la hoja, diámetro de las poleas y diámetro de la brida de la polea.
- SI Lea toda la literatura e instrucciones de seguridad que acompañan a la hoja utilizada con esta sierra.
- SI Inspeccione cuidadosamente cada hoja antes de usarla. Si se observan señales de daño o desgaste poco común, **NO USE LA HOJA.**
- SI Instale la hoja firmemente. Apriete la tuerca del eje con un aprietatuercas.
- SI Asegúrese que la hoja y las bridas estén limpias y libres de tierra y suciedad antes de instalar la hoja en la sierra.
- SI Utilice el tamaño de brida indicado para cada tamaño de hoja. No use bridas que estén dañadas o desgastadas.
- SI Verifique que el agujero del eje de la hoja coincida con el portaherramienta de la máquina antes de instalar la hoja.
- SI Utilice la hoja correcta para el tipo de trabajo que se vaya a ejecutar. En caso de dudas, consulte con el fabricante de la hoja.
- SI Siempre sujete la máquina con ambas manos cuando el motor esté funcionando. Encierre la empuñadura firmemente con los pulgares y dedos.
- SI Tenga cuidado y siga las instrucciones cuando cargue y descargue la sierra.
- SI Maneje esta máquina solamente en lugares bien ventilados.
- SI Indique a las personas dónde situarse mientras la sierra está funcionando.
- SI Establezca un programa de entrenamiento para todos los operadores de esta máquina.
- SI Despeje el lugar de trabajo de personas innecesarias. No permita que nadie se sitúe delante o detrás de la hoja mientras el motor está funcionando.
- SI Maneje el combustible con cuidado.
- SI Aleje la máquina por los menos 10 pies (3 m) del punto de abastecimiento de combustible antes de arrancar el motor y asegúrese de apretar bien la tapa de la gasolina en la sierra y del bidón de combustible.
- SI Asegúrese que la hoja no esté haciendo contacto con ninguna cosa antes de arrancar el motor.
- SI Tenga cuidado al izar y transportar esta máquina.
- SI Siempre levántela del gancho de izar solamente.
- SI Siempre amarre la máquina cuando la transporte.
- SI Siempre maneje esta máquina con el interruptor de freno de estacionamiento en la posición "Auto".
- SI Pida que todo trabajo de servicio lo haga un personal técnico competente.
- SI Asegúrese de enchufar las máquinas eléctricas a un circuito debidamente conectado a tierra.
- SI Asegúrese que los cordones eléctricos sean del tamaño correcto y estén en buenas condiciones.
- SI Cumpla con el reglamento eléctrico de su localidad.
- SI Use el voltaje correcto y un cable de extensión adecuado. Nunca transporte la herramienta colgando del cable y nunca tire del cable para desenchufarlo. Aleje el cable del calor, aceite y de las aristas filudas.
- SI Desenchufe los equipos cuando no los usa, antes de hacer mantenimiento y al cambiar accesorios.
- SI limpie y efectúe un mantenimiento cuidadoso para obtener un rendimiento mejor y más seguro. Siga las instrucciones al cambiar accesorios. Revise los cables del equipo con frecuencia y, si hay daños, hágalos reparar por un servicio autorizado.
- SI Siempre verifique si hay cables eléctricos enterrados antes de cortar con la sierra. Si se necesitan ejemplares adicionales, llamar SIN CARGO

¡SEGURIDAD ANTE TODO!



ADVERTENCIAS HACER y NO HACER

ADVERTENCIA: EL NO RESPETAR ESTAS ADVERTENCIAS E INSTRUCCIONES DE OPERACION PUEDE PROVOCAR GRAVES LESIONES O LA MUERTE.

- NO haga funcionar esta máquina sin antes haber leído y entendido este manual.
- NO maneje esta máquina sin tener el protector de la hoja u otras protecciones instaladas en su lugar.
- NO se sitúe delante o detrás del paso de la hoja mientras el motor está funcionando.
- NO deje esta máquina desatendida mientras el motor está funcionando.
- NO trabaje en esta máquina mientras el motor está funcionando.
- NO maneje esta máquina si está cansado o fatigado.
- NO maneje la máquina si no está seguro de como hacerlo.
- NO utilice una hoja de corte húmedo sin tener el suministro adecuado de agua.
- NO sobrepase la velocidad máxima indicada para cada tamaño de hoja. El exceso de velocidad puede causar la rotura de la hoja.
- NO utilice equipos u hojas que estén dañados.
- NO utilice hojas con puntas de carburo.
- NO trate de parar con las manos una hoja en movimiento.
- NO incline, atasque, encaje o tuerza la hoja en el corte.
- NO amontone material en la hoja.
- NO deje los cables eléctricos en o cerca del agua.
- NO cambie el motor por alguno que no tenga una conexión especial de tierra de seguridad.
- NO transporte una máquina de cortar con la hoja instalada.
- NO utilice una hoja que ha sufrido una caída.
- NO toque una hoja diamantada de corte en seco inmediatamente después de usarla. Estas hojas se demoran varios minutos en enfriarse después de cada corte.
- NO use una hoja que se ha sobrecalentado. (El núcleo tiene un color azulado.)
- NO utilice bridas de hojas que estén dañadas o desgastadas.
- NO permita que nadie se acerque a la máquina durante la puesta en marcha, abastecimiento de combustible o mientras la sierra está funcionando.
- NO maneje esta máquina en un lugar encerrado a menos que tenga buena ventilación.
- NO maneje esta máquina cerca de ningún objeto que sea inflamable. Las chispas podrían causar un incendio o una explosión.
- NO permita que la hoja sobresalga más de 180 grados del protector.
- NO maneje esta máquina sin que tenga colocado el capó del motor.
- NO maneje esta máquina sin que tenga colocado el protector de la transmisión.
- NO use los soportes de amarre para izar esta máquina.
- NO remolque esta máquina tirada por un vehículo.
- NO maneje esta máquina a menos que esté especialmente capacitado para hacerlo.
- NO maneje la sierra si está bajo la influencia de drogas o bebidas alcohólicas.

Esta sierra fue diseñada para ciertas aplicaciones solamente. NO la modifique ni utilice para ninguna otra aplicación salvo aquéllas para las cuales fue diseñada. En caso de dudas respecto a su aplicación, NO use la sierra sin antes haber consultado por escrito a Diamant Boart, Inc. y haber recibido nuestras indicaciones.

Husqvarna Construction Products, North America
17400 West 119th Street
Olathe, Kansas 66061
USA 1-800-288-5040

FIGURAS

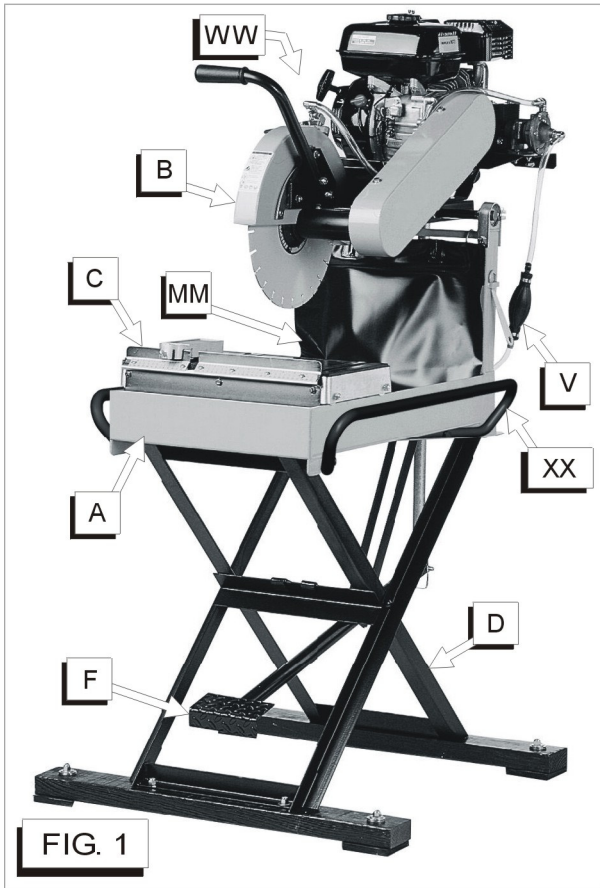


FIG. 1

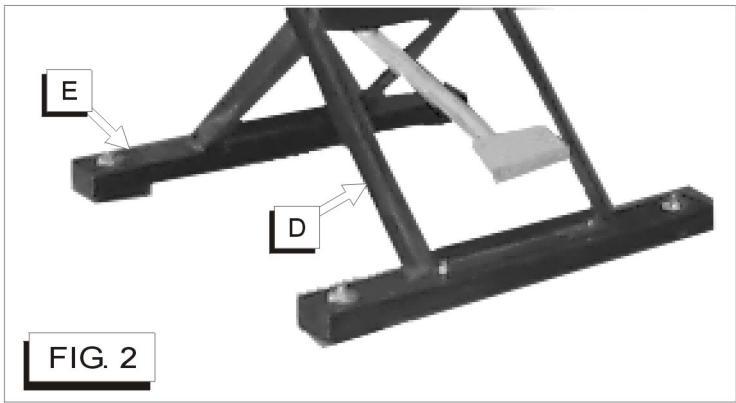


FIG. 2

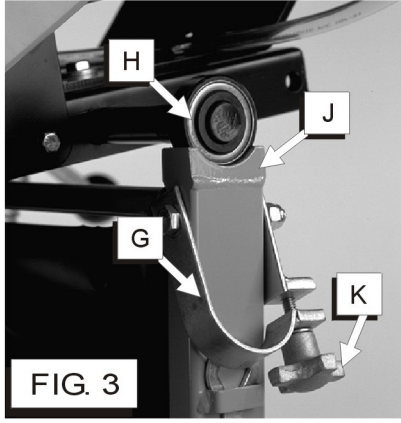


FIG. 3

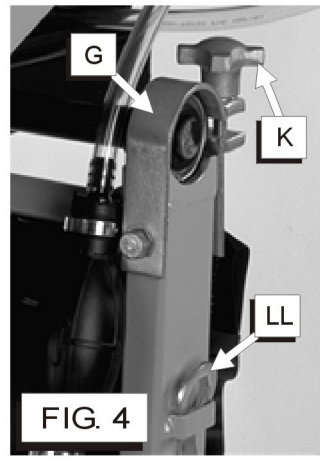


FIG. 4

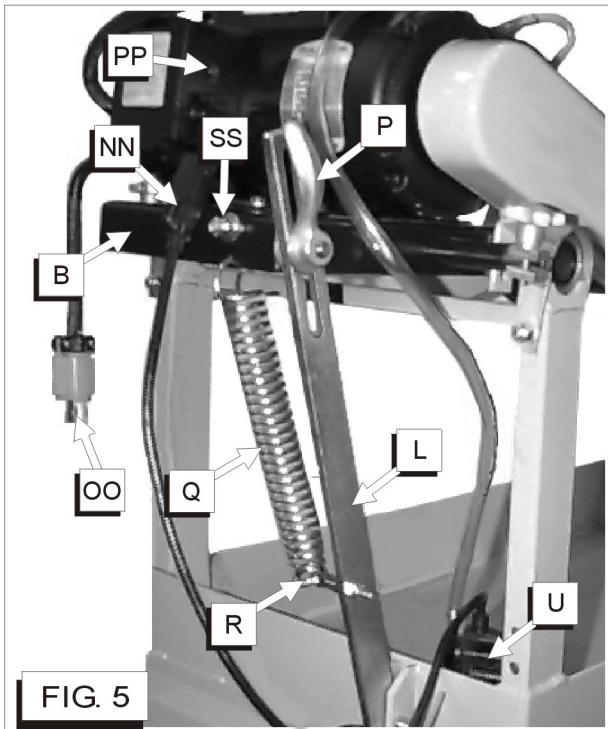


FIG. 5

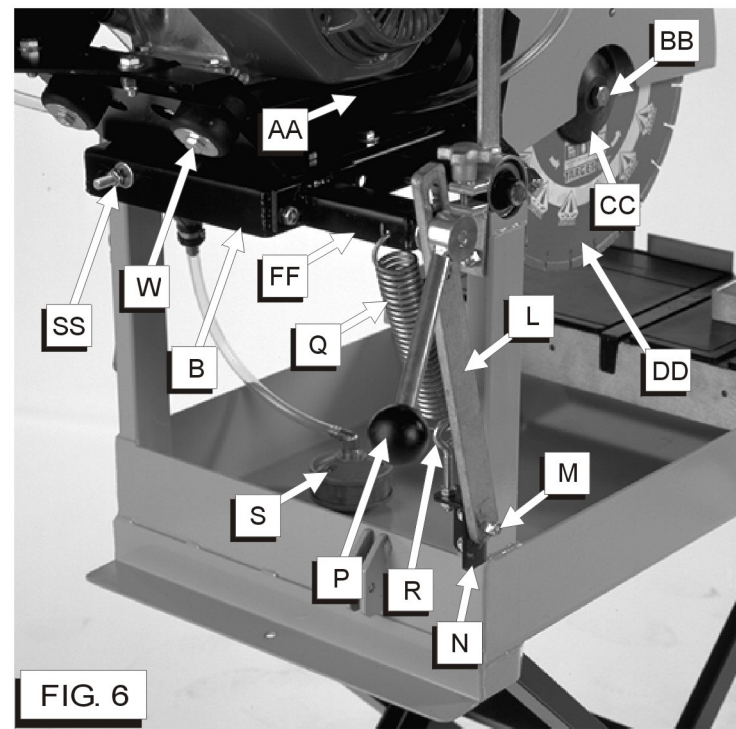
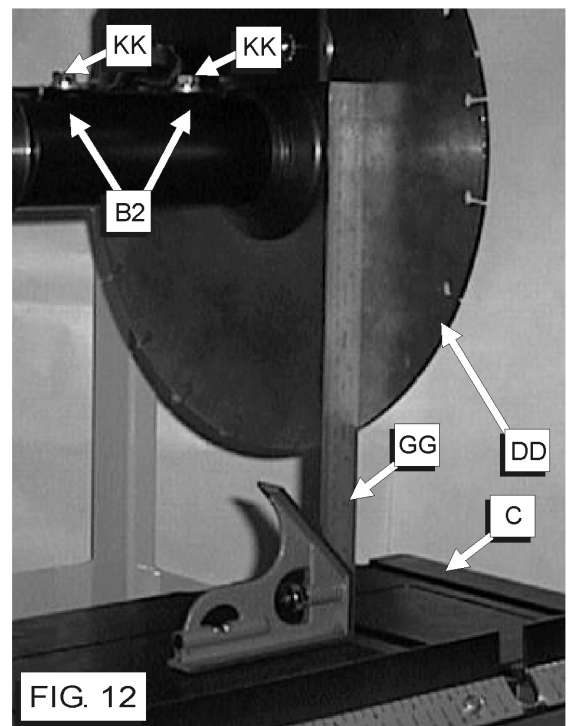
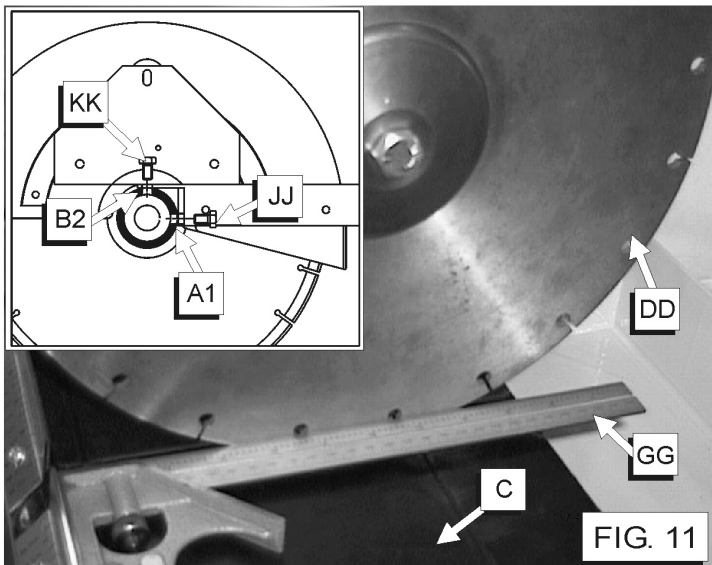
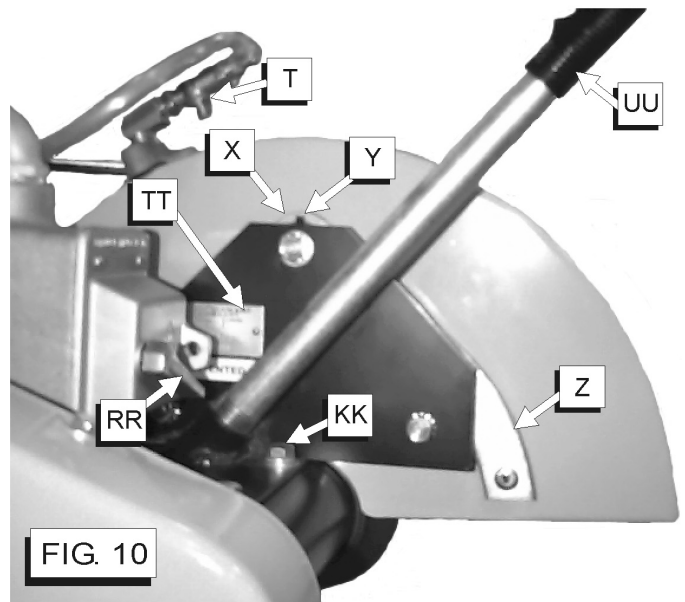
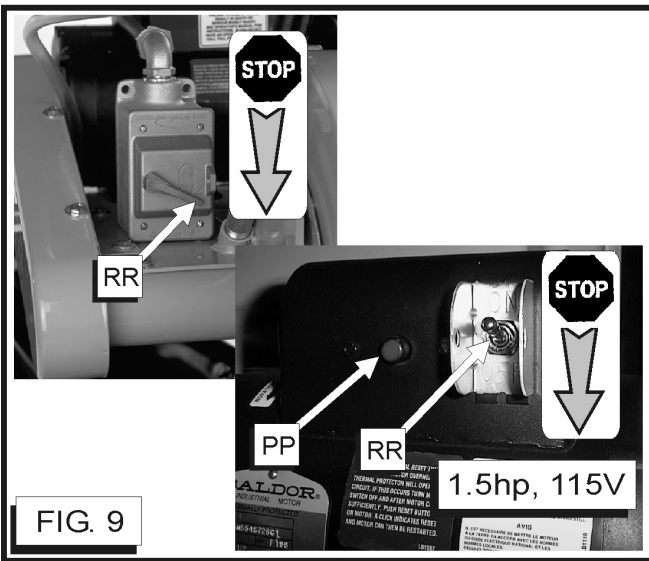
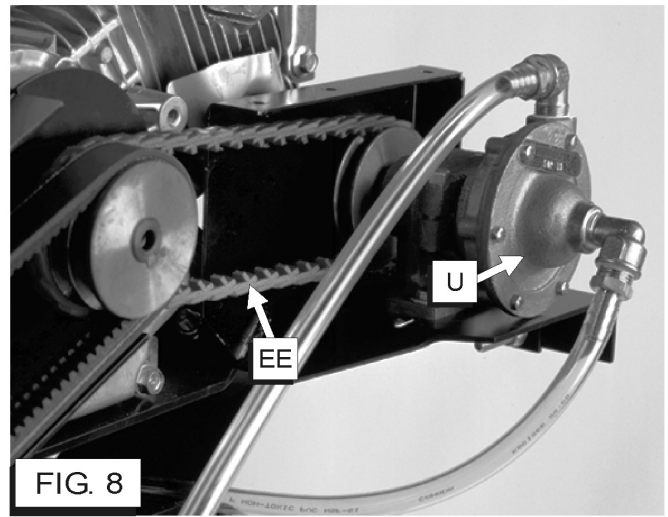
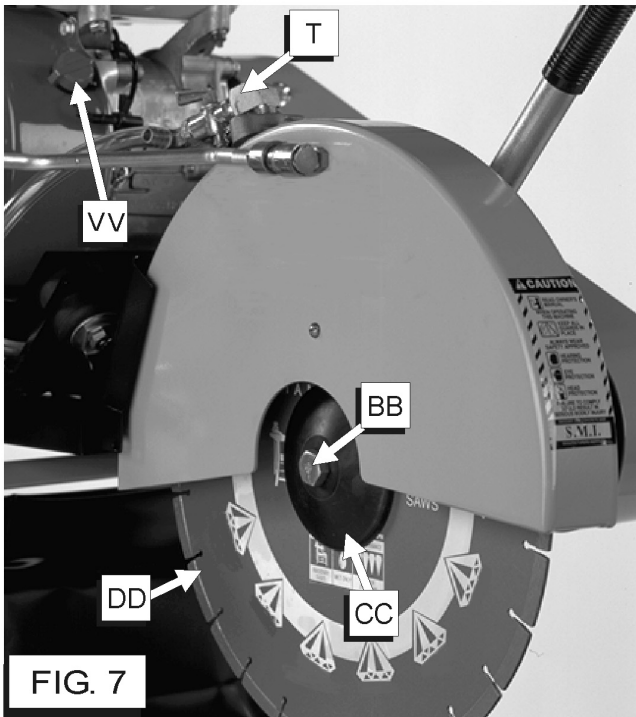
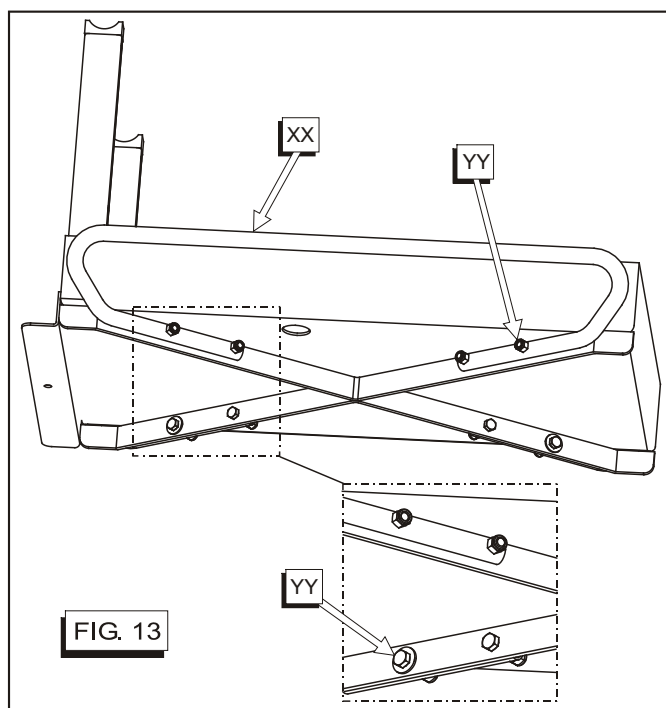


FIG. 6

FIGURES / FIGURAS



FIGURAS



Identificación de Piezas:

- A. Estructura Soldada de la Bandeja
- B. Conjunto de Plataforma del Cabezal
- C. Conjunto del Carro Transportador
- D. Soporte Doblable (Opcional)
- E. Equipo de Patín (Opcional)
- F. Equipo de Pedal de Pie (Opcional)
- G. Abrazaderas de Cojinete
- H. Cojinetes
- I. _____
- J. Bloques Pivotantes
- K. Perillas (o Tornillos de Cabeza Plana)
- L. Brazo de Contrabalance
- M. Tornillo de Cabeza Plana
- N. Ménsula Inferior
- O. _____
- P. Palanca de Traba
- Q. Resorte
- R. Perno de Ojo
- S. Retén (Modelo a Gasolina)
- T. Válvula de Agua
- U. Bomba de Agua
- V. Bulbo del Cebador (Modelo a Gasolina)
- W. Aislador (Modelo a Gasolina)
- X. Rueda (Pivote del Protector de la Hoja)
- Y. Tornillo de Fijación (Pivote del Protector de la Hoja)
- Z. Barra de Trayectoria

- AA. Base del Motor
- BB. Tornillo de Cabeza Plana (Eje de la Hoja)
- CC. Brida Externa
- DD. Hoja Diamantada
- EE. Cinta de la Bomba de Agua (Modelo a Gasolina)
- FF. Soporte de Resorte Superior
- GG. Escuadra
- HH. Calces (No Mostrado en las Ilustraciones)
- II. _____
- JJ. Tornillos de Cabeza Plana (Carcasa del Eje de la Hoja - Trasero)
- KK. Tornillos de Cabeza Plana (Carcasa del Eje de la Hoja - Superior)
- LL. Llave
- MM. Cortina para Salpicado
- NN. Cable de Conexión Eléctrica (Bomba de Agua)
- OO. Enchufe Eléctrico (Modelos Eléctricos)
- PP. Botón de Reinicio (Modelos Eléctricos)
- QQ. _____
- RR. Perilla de Encendido (Modelos Eléctricos)
- SS. Perno de Tensionamiento de la Cinta
- TT. Placa de Número de Serie
- UU. Asa
- VV. Perilla de Apagado del Motor (Modelo a Gasolina)
- WW. Manguera de Drenaje de Aceite
- XX. Mangos Elevadores
- YY. Tornillería de Montaje Mango

LISTA DE COMPROBACIONES PREVIAS A LA OPERACION



Antes de salir de la fábrica, todas las máquinas son probadas extensivamente. Siga nuestras instrucciones al pie de la letra y su máquina le brindará muchos años de servicio en condiciones normales de trabajo.



Lea todo este manual y familiarícese con el funcionamiento de la máquina antes de ponerla en marcha.

CON LA MAQUINA FRIA Y NIVELADA:

1. Modelos a Gasolina: Revisar el aceite del motor. Llenar hasta la marca "full" en la varilla de medición con aceite 10W30.
 - Clase MS, SD, SE o mejor.
2. Modelos Eléctricos: Verificar que todas las conexiones eléctricas estén intactas.

LISTA DE REVISIONES DURANTE EL PERIODO DE RODAJE



LISTA DE REVISIONES DESPUES DE 1 A 2 HORAS DE FUNCIONAMIENTO:

SIEMPRE estacione la máquina en una superficie plana con el motor "APAGADO" y el interruptor de encendido puesto en la posición de DESCONECTADO antes de hacer ningún trabajo de mantenimiento. ¡Deje que la máquina se enfríe!

1. Revisar las abrazaderas de las mangueras del filtro de aire del motor. Apretar según se requiera.
2. Tensar las correas trapezoidales impulsoras de la hoja. ¡NO tensar demasiado!

REFERENCIA RAPIDA DEL MANTENIMIENTO PROGRAMADO:



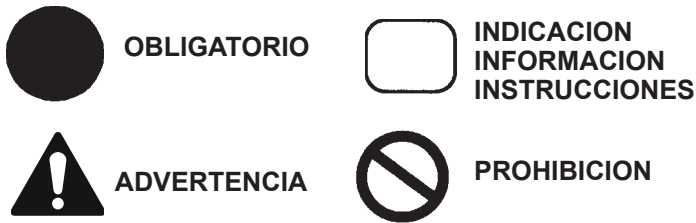
SIEMPRE estacione la máquina en una superficie plana con el motor "APAGADO" y el interruptor de encendido puesto en la posición de DESCONECTADO antes de hacer ningún trabajo de mantenimiento. ¡Deje que la máquina se enfríe!

MANTENIMIENTO DIARIO:

1. Revisar el nivel de aceite del motor.
2. Revisar la condición del protector de la hoja.
3. Revisar las mangueras y abrazaderas en busca de daño o flojedad, Apretar o cambiar según sea necesario.
4. Observar el indicador de restricción del filtro de aire. Limpiar o reemplazar cuando sea necesario.
5. Limpiar la bandeja del reservorio frecuente.
6. Al final del día, limpie la bandeja del reservorio de agua para sacar el lodo de la sierra. Haga pasar agua limpia a través de la Bomba de Agua y de las mangueras.

MANTENIMIENTO CADA 50 HORAS:

1. Cambiar el aceite y filtro del motor.
2. Limpiar la aletas de aire del motor.
3. Revisar la tensión de la correa trapezoidal impulsora de la hoja. ¡NO tensar demasiado!
4. Limpiar el recipiente del combustible del motor.



Estos avisos le dan consejos para su seguridad

Antes de salir de la fábrica, todas las máquinas son probadas extensivamente.

Siga nuestras instrucciones al pie de la letra y su máquina le brindará muchos años de servicio en condiciones normales de trabajo.

1 Características

Uso: Corte Húmedo o en Seco de materiales refractarios y de mampostería.

Herramientas: Hojas diamantadas — enfriadas en seco o con agua,
 Ø: 10" (250 mm), 12" (300 mm), y 14" (350 mm), con Eje de Ø 1" (25,4 mm).
 (Para obtener información, póngase en contacto con su distribuidor)

Profundidad de Corte (Máxima):
 5,00" (127 mm) con hoja de Ø 14" (350 mm)

Máximo Tamaño del Material:
 Bloque de 8 x 8 x 16" (20,3 x 20,3 x 40,6 cm)

El bloque debe ser rotado 180 grados para completar el corte a través de 8" (20,3 cm) de profundidad.

Peso Nominal: Ver "Especificaciones"
Peso de Operación: Ver "Especificaciones"
Dimensiones: Ver "Dimensiones de la Sierra"
Capacidad del Protector de la Hoja:

MODELOS ELECTRICOS: Hojas de Ø 10" (250 mm), 12" (300 mm) y 14" (350 mm)

MODELOS A GASOLINA: Ø de 14" (350 mm) solamente. (No se recomiendan diámetros de sierra más pequeños porque la sierra no cortará a través del material. La inclinación del cabezal es limitada porque el máximo ángulo de inclinación del motor es 20 grados.)

RPM del Eje de la Hoja: Ver "Especificaciones"

Antes de poner en marcha la máquina, asegúrese de leer todo este manual y familiarícese con el funcionamiento de esta máquina.

El lugar de trabajo debe estar totalmente despejado, bien iluminado y totalmente libre de riesgos para la seguridad.

El operador debe usar ropa protectora adecuada para el trabajo que está realizando.

Toda persona ajena al trabajo debe retirarse del lugar.

Use solamente hojas marcadas con una velocidad máxima de funcionamiento mayor que la velocidad del eje de la hoja.

2 Armado

Todos los Modelos: (Ilustraciones 1, 2, 3, 4 y 13)

- Cuando se desembala, esta unidad consiste de cuatro (4) grandes piezas: Estructura Soldada de la Bandeja (A), Conjunto de Plataforma del Cabezal (B), Conjunto del Carro (C) y Mangos Elevadores (XX) (Ilustración 1).
- Si esta unidad usara el Soporte Doblable (D) (Ilustración 1) y el Equipo de Patín (E) (Ilustración 2) opcionales, primero arme estos artículos. Siga las instrucciones proporcionadas con estas opciones.
- Coloque la Estructura Soldada de la Bandeja (A) sobre una tabla o en el Soporte Doblable / Equipo de Patín (D / E), como se muestra en la Ilustración 1. Es muy importante que la Estructura Soldada de la Bandeja (A) sea armada sobre el Soporte Doblable (D), como se muestra en la Ilustración 1, ó el Equipo de Pedal de Pie (F) opcional NO PUEDE ser armado en la unidad.
- Monte los mangos (XX) como se muestra en la figura 13, utilizando la tornillería de montaje que se proporciona (YY). Monte la tornillería con las tuercas hacia el exterior del armazón, y los tornillos de capavete hacia el interior del armazón. Esto simplificará el montaje de la sierra en el pedestal opcional. Las cuatro arandelas se deberán ensamblar sobre las "ranuras" del armazón. Cuatro de las ocho arandelas no se necesitan; pero se pueden utilizar, si se desea, sobre los orificios restantes. Apriete la tornillería con seguridad.

ADVERTENCIA: Asegúrese de que la tornillería de montaje del mango (YY) estén apretados con seguridad antes de transportar el armazón o el reensamblaje de la unidad completa. ¡El no hacerlo así podría dar como resultado lesiones graves para el operario o alguna otra persona que se encuentre en la zona de trabajo!

- Saque el Conjunto del Carro (C) de su caja de embalaje. Coloque el Conjunto del Carro (C) sobre la Estructura Soldada de la Bandeja (A), de modo que las ruedas del Conjunto del Carro (C) rueden a lo largo de los costados de la Estructura Soldada de la Bandeja (A) (Ilustración 1).

- Asegúrese que las Abrazaderas de Cojinete (G) de la derecha y de la izquierda en la Estructura Soldada de la Bandeja (A) están pivotadas dentro de su posición rebajada (Ver la Ilustración 3). Cuidadosamente, levante el Conjunto de Plataforma del Cabezal (B) y móntelo en la Estructura Soldada de la Bandeja (A) de manera tal que los Cojinetes (H) (en la Plataforma del Cabezal) estén descansando en los Bloques Pivotantes (J) (en la Estructura Soldada de la Bandeja) y que el extremo del eje de la hoja de la Plataforma del Cabezal (B) esté descansando en el Conjunto del Carro (C) (Ilustración 3).
- Gire las Abrazaderas de Cojinete (G) dentro de su posición elevada y apriete las Perillas (K) [o los Tornillos de Cabeza Plana (K), dependiendo de la fecha de fabricación] hasta que la Plataforma del Cabezal (B) esté asegurada a la Estructura Soldada de la Bandeja (A) (Ilustración 4).
- **Nota:** Si la unidad usa Tornillos de Cabeza Plana (K) para sostener las Abrazaderas de Cojinete (G) en su sitio, apriételos con el extremo de la Llave (LL) de 1/2", proporcionada con la sierra (Ilustración 4).

Modelos Eléctricos (Ilustración 5):

- Instale el Brazo de Contrabalance (L): Coloque el extremo ranurado del Brazo de Contrabalance en el pasador ubicado en la Esquina Posterior Izquierda del Conjunto de Plataforma del Cabezal (B). Asegúrese de poner Arandelas de 1/2" en ambos costados del BRAZO antes de la instalación. Note que el orificio inferior del BRAZO está posicionado hacia la Estructura Soldada de la Bandeja (A). Un tornillo de cabeza plana sostiene el BRAZO en las ménsulas de la parte posterior de la Estructura Soldada de la Bandeja (A) por medio de este orificio inferior.
- Instale la Palanca de Traba (P) en el pasador de la Esquina Posterior Izquierda del Conjunto de Plataforma del Cabezal (B). Apriete la Palanca de Traba (P), de modo que el Conjunto de Plataforma del Cabezal (B) esté trabado de manera segura con el eje de la hoja en la máxima posición elevada.
- Asegúrese que el Perno de Ojo (R) esté ajustado de manera segura en el Brazo (L) y note que el ojo del Perno de Ojo (R) debería estar alineado con el orificio de montaje del resorte en el Conjunto de Plataforma del Cabezal (B).
- Agregue la parte superior del Resorte (Q) a través del orificio en la brida superior del del Conjunto de Plataforma del Cabezal (B). Con una herramienta (tal como un destornillador), extienda el extremo inferior del Resorte (Q), de manera que el mismo se enganche sobre el PERNO DE OJO (R).
- Instale la Bomba de Agua (U) enchufando su Cable de Conexión Eléctrica (NN) dentro del cable flexible del motor eléctrico. Instale el acoplador de púa de la manguera en la Bomba de Agua (U), luego empuje en la manguera. Dirija la manguera y el cable eléctrico encima de la cruceta de la Estructura Soldada de la Bandeja (B) para evitar el contacto con la hoja durante la operación y de manera que la cortina para salpicado pueda ser instalada fácilmente (NO como se muestra en la Ilustración 5). Coloque la Bomba de Agua Eléctrica (U) en el fondo de la Estructura Soldada de la Bandeja (A). Enganche la parte superior de la Cortina para Salpicado (MM) sobre la barra de pivote del cabezal y coloque el fondo de la Cortina para Salpicado (MM) en la bandeja (Ilustración 1).

- Los motores de sierras para mampostería de una fase se proporcionan con el Enchufe (OO) con la correcta configuración NEMA en el cable flexible del motor. Los conectores correspondientes son los siguientes:

Enchufes y Conectores del Motor Eléctrico			
Motor	Cableado para Voltaje	Enchufe Flexible del Motor (NEMA No.)	Conector Requerido (NEMA No.)
1-1/2 HP	115 V	L5-20P	L5-20R
2 HP	230 V	L6-15P	L6-15R
3 HP	230 V	L6-30P	L6-30R

Para cambiar la operación, ya sea a 115 ó 230 V, los motores de 1-1/2 y 2 HP tienen una perilla para cambio de voltaje montada en la caja terminal. Esta perilla debe ser cambiada a ya sea 115 ó 230 Voltios, para corresponder al voltaje de la fuente de energía. Los códigos eléctricos locales pueden requerir el cambio del enchufe en el motor al conector NEMA apropiado para corresponder al voltaje de la fuente de energía.



ADVERTENCIA: Siempre asegúrese que la sierra esté conectada a un tomacorriente con apropiada conexión a tierra. ¡El incumplimiento de esta advertencia podría resultar en serios daños corporales o en la muerte!



ADVERTENCIA: ¡NO opere con bajo voltaje! El bajo voltaje causa la pérdida de energía, el sobrecalentamiento del motor y, posiblemente, la quemadura del reanado del motor. El voltaje del motor debería ser verificado cuando el mismo está en operación.

El buen desempeño del motor depende del voltaje apropiado. Los cables prolongadores que son demasiado largos y/o demasiado pequeños reducen el voltaje a un motor bajo carga. Use cables prolongadores **NO MAS PEQUEÑOS** que los tamaños indicados en la carta mostrada más abajo:

Modelo a Gasolina (Ver la Ilustración 6):

MOTOR HP	TAMAÑO DEL CABLE PROLONGADOR (Mínimo)					
	50 pies de longitud		75 pies de longitud		100 pies de longitud	
	115 V	230 V	115 V	230 V	115 V	230 V
1-1/2	# 10	# 14	# 10	# 14	# 10	# 14
2 HP	# 10	# 12	# 10	# 12	# 10	# 12
3 HP	—	# 10	—	# 10	—	# 10

- Arme el Soporte de Resorte Superior (FF) usando los dos (2) Tornillos Largos de Cabeza Plana de 3/8"-16UNC x 1,00" y las Contratueras de 3/8"-16UNC que se proporcionan.
- Instale el Brazo de Contrabalance (L). Arme de manera aflojada el Tornillo de Cabeza Plana (M) Largo de 3/8" x 1,00" y la Contratuerca de 3/8"-16UNC a través de la Ménsula Inferior (N) y del extremo inferior (orificio de diámetro 13/32") del Brazo de Contrabalance (L).

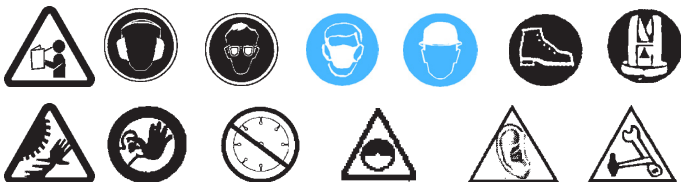
- Eleve el Conjunto de Plataforma del Cabezal (B) hasta que la ranura en el Brazo (L) pueda ser puesta en el Pasador de 1/2" en el Soporte de Resorte Superior (FF)- asegúrese de instalar las Arandelas Planas de 1/2" (proporcionadas) en ambos costados del Brazo (L).
- Monte y asegure la Palanca de Traba (P) en el Pasador de 1/2" del Soporte de Resorte Superior (FF). Apriete el Tornillo de Cabeza Plana (M) Largo de 3/8" x 1,00" y la Contratuerca de 3/8"-16UNC previamente instalada en la Ménsula Inferior (N).
- Instale la parte superior del Resorte (Q) en el orificio de la parte superior del Soporte de Resorte Superior (FF). Afloje la Palanca de Traba (P) y gire el Conjunto de Plataforma del Cabezal (B) de manera que el eje de la hoja esté en la posición superior, luego apriete la Palanca de Traba (P) de manera segura. Usando una herramienta (tal como un destornillador o alicates) extienda el extremo inferior del Resorte (Q), de manera que esté asegurado dentro del Perno de Ojo (R) en la Ménsula Inferior (N).
- Instale las mangueras en la bomba de agua. Ellas deben ser conectadas juntas, tal como se muestra en la lista de piezas de este documento. Coloque el Retén (S) en el fondo de la Estructura Soldada de la Bandeja (A) después de conectar la manguera. Enganche la parte posterior de la Cortina para Salpicado (MM) sobre la barra de pivote del cabezal y coloque el fondo de la cortina en la bandeja (Ilustración 1).
- Cuando la unidad esté totalmente armada, pero antes de arrancar el motor, verifique que el motor NO exceda 20 grados en su ángulo de inclinación en cualquier posición de la Plataforma del Cabezal [Use un indicador de medición de ángulos (proporcionados por el cliente) sostenido de manera plana contra la Base del Motor (AA)].



PRECAUCION: ¡La inclinación a ángulos mayores que 20 grados podría producir severos daños en el motor y anular su garantía!

3 Verifique Antes De Operar

Todos los Modelos:



- Tenga en cuenta las condiciones de trabajo desde el punto de vista de la salud y la seguridad.
- Para el arranque, refiérase al manual del motor.

Solamente Modelos Eléctricos:

- Asegúrese que el tamaño del cable prolongador esté apropiadamente dimensionado para el motor usado en esta Sierra. Ver la Carta en la Sección 2 de este documento.



ADVERTENCIA: Asegúrese que la unidad esté conectada a un tomacorriente apropiadamente conectado a tierra. ¡El incumplimiento de esta advertencia podría resultar en serias lesiones corporales o la muerte!

Modelo a Gasolina Solamente:



- Combustible: Verifique el manual de operación del motor. Se recomienda la gasolina sin plomo.
- Aceite: Trabe el Conjunto de Plataforma del Cabezal (B) con el motor en una posición horizontal, luego verifique que el nivel de aceite del motor sea el correcto. Verifique el nivel del aceite frecuentemente para asegurarse que ese nivel nunca descienda por debajo del especificado en el manual de operación del motor. Si el nivel del aceite está bajo, agregue aceite SAE 10W30, clasificación de servicio SF o SG (para condiciones normales), tal como se recomienda en el manual de operación del motor. ¡NO sobrecargue el motor con aceite!

4

Colocación De La Hoja

(Ver la Ilustración 7)



Siempre ponga el interruptor de arranque del motor (VV) en la posición de DESCONECTADO antes de instalar la hoja.

Todos los Modelos:

- La hoja rota en una dirección de "corte de bajada". Esto significa que el frente de la hoja se mueve hacia abajo mientras que la parte posterior de la hoja se mueve hacia arriba. Monte la Hoja Diamantada (DD) de manera que la flecha en la hoja rote en esta dirección de "corte de bajada". La Hoja Diamantada (DD) puede ser instalada / sacada usando el extremo de la Llave (LL) de 3/4" (19 mm) proporcionada (Ilustración 4).
- Después de montar la hoja, ella debería alinearse sobre la parte superior de la inserción de madera en el Carro Transportador (C). Si esto no ocurre, afloje los tornillos de fijación que aseguran los Cojinetes (H) al Conjunto de Plataforma del Cabezal (B) (Ilustración 3). Posicione el Conjunto de Plataforma del Cabezal (B) a la izquierda o a la derecha hasta que la Hoja Diamantada (DD) esté alineada sobre la parte superior de la inserción de madera, luego vuelva a apretar los tornillos de fijación de los Cojinetes (H). Durante la operación de esta unidad, la hoja puede, y debería, pasar dentro de la inserción de madera, pero NO dentro de la pieza de aluminio fundido del Carro Transportador (C).



ADVERTENCIA: Las hojas diamantadas convencionales "Húmedas" DEBEN ser usadas con agua. NO use hojas diamantadas convencionales "Húmedas" sin agua. ¡El uso de las hojas diamantadas convencionales "húmedas" sin agua puede resultar en lesiones o en la muerte del operador o de las personas presentes en el área de trabajo!



Advertencia: Use solamente hojas abrasivas del tipo reforzado.

Modelos Eléctricos Solamente:

- Monte la Hoja Diamantada (DD):
 1. Usando la Llave (LL) proporcionada (u otra que usted tenga), afloje el Tornillo de Cabeza Plana (BB) girándolo en sentido anti-horario (Modelos Eléctricos Solamente).



PRECAUCION: Note que, en los Modelos Eléctricos, el Tornillo de Cabeza Plana (BB) tiene muescas A LA MANO DERECHA. ¡La instalación del tornillo de cabeza plana equivocado podría dañar el eje de la hoja!

2. Saque la Brida (CC) externa y asegúrese que la Brida (CC) externa, la Brida interna (No Mostrada) y el eje (No Mostrado) están limpios y sin daños.
3. Monte la Hoja Diamantada (DD) al eje e instale la Brida (CC) externa. Instale y apriete el Tornillo de Cabeza Plana (BB) girándolo en una dirección horaria (Muecas a la Mano Derecha). Use la Llave (LL) para apretar firmemente el Tornillo de Cabeza Plana (BB) al eje.

Modelo a Gasolina Solamente:

- Monte la Hoja Diamantada (DD):
 1. Usando la Llave (LL) proporcionada (u otra que usted tenga), afloje el Tornillo de Cabeza Plana (BB) girándolo en sentido horario (Modelos a Gasolina Solamente).



PRECAUCION: Note que, en los Modelos Eléctricos, el Tornillo de Cabeza Plana (BB) tiene muescas A LA MANO IZQUIERDA. ¡La instalación del tornillo de cabeza plana equivocado podría dañar el eje de la hoja!

2. Saque la Brida (CC) externa y asegúrese que la Brida (CC) externa, la Brida interna (No Mostrada) y el eje (No Mostrado) están limpios y sin daños.
3. Monte la Hoja Diamantada (DD) al eje e instale la Brida (CC) externa. Instale y apriete el Tornillo de Cabeza Plana (BB) girándolo en una dirección Antihoraria (Muecas a la Mano Izquierda). Use la Llave (LL) para apretar firmemente el Tornillo de Cabeza Plana (BB) al eje.

5

Instrucciones De Operación

Todos los Modelos: (Ilustraciones 5 y 6)

- Configure la sierra para el tipo de operación requerida, húmeda o en seco. Note que la sierra está montada en fábrica para operación húmeda.

Configuración Húmeda:

- Llène la bandeja del reservorio de agua [Estructura Soldada de la Bandeja (A)] con agua hasta dentro de 1 pulgada (25 mm) de la parte superior. Asegúrese que el Retén (S)

de la toma de la bomba de agua (Ilustración 6, Modelo a Gasolina) o la Toma de la Bomba de Agua Eléctrica (U) (Ilustración 5, Modelo Eléctrico) está totalmente inmersa en agua todo el tiempo. Mantenga la rejilla de admisión de estos artículos limpios y libres de lodo, suspensiones acuosas u otros materiales extraños.

Configuración en Seco:

- Todos los Modelos:



ADVERTENCIA: Las hojas diamantadas convencionales “Húmedas” DEBEN ser usadas con agua. NO use hojas diamantadas convencionales “Húmedas” sin agua. ¡El uso de las hojas diamantadas convencionales “húmedas” sin agua puede resultar en lesiones o en la muerte del operador o de las personas presentes en el área de trabajo!



ADVERTENCIA: Cuando corte sin agua, use solamente hojas diamantadas que están destinadas a ser usadas en seco (sin agua). Las hojas diamantadas convencionales “Húmedas” DEBEN ser usadas con agua.

⇒ Indicación: Para reducir la vibración de la sierra, la bandeja del reservorio de agua [Estructura Soldada de la Bandeja (A)] puede ser llenada con arena. Asegúrese de sacar la Bomba de Agua (U) (Modelos Eléctricos) o el Retén (S) (Modelos a Gasolina) de la toma de la bomba de agua para evitar su contaminación con tierra o con arena.



ADVERTENCIA: Use siempre protección respiratoria cuando efectúe cortes en seco.

Modelos Eléctricos: (Ilustración 5)

Antes de cortar en seco, desenchufe la Bomba de Agua (U) del motor eléctrico, desconectando el Cable de Conexión Eléctrica (NN).

Modelo a Gasolina: (Ilustración 8)

Saque la Cinta en V (EE) de transmisión de la bomba de agua:

1. Saque los dos escudos que cubren la cinta de transmisión de la Bomba de Agua y el protector de la cinta (No Mostrado).
2. Afloje los dos (2) pernos que sostienen la Bomba de Agua en posición. Afloje el perno de tracción que tensiona la cinta de la bomba de agua.
3. Deslice la Bomba de Agua hacia adelante y saque la cinta de la polea de la bomba de agua.
4. Desarme la Cinta en V (EE) de la bomba de agua:
 - a. Gire la cinta hacia afuera y, con una mano, exprima conjuntamente los dos ramales de la cinta.
 - b. Doble una lengüeta 90 grados de manera que esté paralela con la ranura en la conexión adyacente.
 - c. Estire el extremo de esa conexión sobre la lengüeta.
 - d. Estire el extremo de la cinta a través de las otras dos conexiones.
5. Vuelva a instalar el Protector de la Cinta y los escudos de la bomba de agua. Guarde la cinta de la bomba de agua de manera que ella pueda volver a ser instalada si la unidad necesita ser usada para cortes húmedos.



PRECAUCION: ¡NO haga funcionar la Bomba de Agua (U) por largos periodos de tiempo sin agua! ¡La Bomba de Agua podría dañarse!

Operaciones de Corte:

- Coloque el material en el Carro Transportador (C) y mueva el carro transportador al frente de la sierra, de manera que la hoja NO esté en contacto con el material.
- Métodos de Corte: Esta unidad permite tres métodos para que la hoja entre en contacto con el material:
 1. Cabezal Fijo: Posicione el cabezal a la altura deseada, luego apriete la Palanca de Traba (P) (Ilustraciones 5 y 6). Luego el material puede ser empujado dentro de la hoja.
 2. Sostenga el Asa (UU) y descienda la hoja dentro del material (Ilustracion 10). La hoja retornará a la posición superior cuando se libere el esfuerzo.
 3. Empuje con su pie el Equipo del Pedal de Pie (F) (Ilustracion1) para descender la hoja dentro del material. La hoja retornará a la posición superior cuando se libere el esfuerzo.

Encendido / Apagado (Modelos Eléctricos):

(Ilustraciones 9 y 10)

- Abra la Válvula de Agua (T) completamente y verifique el flujo de agua antes de cortar.
- Encienda el motor eléctrico girando la Perilla de Encendido (RR) a la posición de **ENCENDIDO (“ON”)**.
- Corte el material usando uno de los Métodos de Corte descritos en la sección anterior.



ADVERTENCIA: Mantenga las manos alejadas de la hoja rotante durante la operación. LEA TODAS LAS ADVERTENCIAS SOBRE SEGURIDAD antes de operar esta máquina.



PRECAUCION: ¡NO corte dentro del área del aluminio fundido del Carro Transportador (C). La hoja debería cortar solamente dentro del área de la inserción de madera del Carro Transportador (C)!

APAGADO DE LA UNIDAD (Modelos Eléctricos):

Apague la unidad girando la Perilla de Encendido (RR) a la posición de **APAGADO (“OFF”)** (Ilustracion 9). Espere a que todo movimiento de la hoja se detenga antes de sacar el material de la máquina.



Encendido / Apagado (Modelos a Gasolina):

(Ilustraciones 1 y 7)

- Abra la Válvula de Agua (T) (Ilustracion 7) y cebe la Bomba de Agua (U) usando el Bulbo del Cebador (V) (Ver la Ilustracion 1). Apriete el Bulbo del Cebador hasta que el agua pase a través de las tuberías de agua del protector de la hoja.
- Encienda el motor usando el procedimiento del manual de operación.
- Abra completamente el estrangulador del motor. Todo corte es hecho en esa posición. No cambie la posición

del regulador del motor; está fijado en fábrica para la velocidad correcta. Ver la sección “Epecificaciones” de este documento para obtener la RPM apropiada del motor y de la hoja.



ADVERTENCIA: Mantenga las manos alejadas de la hoja rotante durante la operación. LEA TODAS LAS ADVERTENCIAS SOBRE SEGURIDAD antes de operar esta máquina.

- Ajuste el flujo de agua con la Válvula de Agua (T) y verifique el flujo de agua antes de cortar.
- Corte el material, usando uno de los Métodos de Corte descritos en la sección anterior.

APAGADO DE LA UNIDAD (Modelos a Gasolina):

Operación Normal: Apague la unidad siguiendo el procedimiento del manual de operación. Espere a que todo movimiento de la hoja se detenga antes de sacar el material de la máquina.



Emergencia: Gire la Perilla de Apagado del Motor (VV) a la posición de **APAGADO (“OFF”)** (Ilustracion 7).

6

Incidentes Durante La Operación

- Si el motor se apaga durante el corte, verifique lo siguiente:

Modelo Eléctrico:

1. Interrupción de la conexión eléctrica: Verifique todas las conexiones eléctricas.
2. La perilla de Sobrecarga Manual ha sido activada: Los motores de 60 Hertz de una sola fase están equipados con un Botón de Reinicio de Sobrecarga Manual (PP) (Ilustracion 5). Si el motor se apaga debido a una sobrecarga eléctrica y el Botón de Reinicio de Sobrecarga Manual (PP) se activa, gire la Perilla de Encendido (RR) a la posición de APAGADO (“OFF”) (Ilustracion 9). Permita que el motor se enfríe por 5 a 10 minutos, luego empuje el Botón de Reinicio (PP). Un golpe seco indica que el motor ha sido reiniciado y que está listo para la operación. Vuelva a encender el motor, girando la Perilla de Encendido (RR) a la posición de ENCENDIDO (“ON”).

Modelo a Gasolina:

1. Sin Combustible: Verifique el nivel del combustible.
 2. Bajo Nivel de Aceite: Esta unidad está equipada con un sistema de apagado que detiene el motor si se encuentra un nivel bajo de aceite. Verifique el nivel de aceite del motor con el Conjunto de Plataforma del Cabezal (B) pivotado, de manera que el motor esté en una posición horizontal.
- Si el motor o la hoja se atasca por alguna razón, eleve completamente la hoja fuera del corte, inspeccione minuciosamente la máquina antes de volver a encenderla. Cuando descienda la hoja dentro de un corte parcial, alinee la hoja exactamente con el corte para evitar daños en la hoja.

- Los cortes excesivamente rápidos atascarán el motor.
- Si la hoja se detiene durante el corte, verifique que la tensión de la cinta de transmisión es adecuada.

7 Mantenimiento



ADVERTENCIA: Antes de efectuar cualquier mantenimiento, SIEMPRE ubique la máquina en una superficie nivelada, con el motor APAGADO y la perilla de encendido en la posición APAGADO, o desconectado de la fuente de energía.

Después de cada uso: **LIMPIAR la máquina.**

Verifique Diariamente (Todos los Modelos):

- Limpie la bandeja del reservorio [Estructura Soldada de la Bandeja (A)] para sacar el lodo y las soluciones acuosas. Esta solución acuosa de concreto es un compuesto abrasivo de corte y acortará la vida de Bomba de Agua (U) y de la Hoja Diamantada (DD). Limpie la bandeja del reservorio dos veces por día en casos de corte pesado. Luego vuelva a llenar la bandeja del reservorio de agua con agua limpia.
- Al final del cada día, limpie la bandeja del reservorio de agua [Estructura Soldada de la Bandeja (A)] para sacar el lodo de la sierra. Haga pasar agua limpia a través de la Bomba de Agua (U) y de las mangueras.

Modelo a Gasolina:

1. ¡Inspeccione el limpiador de aire del motor diariamente! ¡Si corta en seco, inspeccione el limpiador de aire del motor cada cuatro horas! Limpie o reemplace el elemento limpiador de aire de acuerdo a lo recomendado por el fabricante del motor.
2. Inspeccione el aceite del motor diariamente. Cambie el aceite del motor después de cada 50 horas de operación. Ver el manual de operación del motor para realizar un apropiado cuidado y mantenimiento.

Modelo a Gasolina:



- Cambie el Aceite del Motor: Cambie el aceite del motor después de cada 50 horas de operación.
- Tipo de Aceite de Motor: Bajo condiciones normales de operación, use SAE 10W30 API, clasificación de servicio SF or SG. Ver el manual de operación del motor para verificar otros tipos de aceite recomendados.
- Capacidad del Aceite del Motor (Honda GX160)
 - 0,63 Cuartos de Galón de EE.UU.
 - 0,6 Litros
 - 0,63 Cuartos de Galón Imperial

Procedimiento para el Cambio de Aceite del Motor:

1. Drene el aceite mientras el motor está todavía caliente para asegurar un rápido y completo drenaje del aceite. Gire la Plataforma del Cabezal (B), de manera que la hoja esté en la posición inferior. Coloque un balde en la

Estructura Soldada de la Bandeja (A) bajo la Manguera de Drenaje de Aceite (WW) para coleccionar el aceite usado. Saque el tapón del drenaje del aceite en el extremo de la Manguera de Drenaje de Aceite (WW) [Ver la Ilustración 1] y espere a que todo el aceite usado sea drenado del motor.

2. Vuelva a instalar y apriete de manera segura el tapón de la Manguera de Drenaje de Aceite (WW).
3. Vuelva a llenar el motor con el tipo de aceite recomendado. Ver el manual de operación del motor para conocer la ubicación del sitio para cargar el aceite y el nivel apropiado de aceite. Note que la capacidad requerida de aceite será mayor debido al volumen de aceite contenido en la Manguera de Drenaje de Aceite (WW).
4. Vuelva a instalar la tapa del sitio para cargar el aceite.
5. Descarte el filtro de aceite usado en un contenedor apropiado y de una manera que sea compatible con el ambiente.

Cuando Se Requiera:

- **Protector de Hoja “Sta-Level” (Ilustración 10):** Si el protector de la hoja se afloja y gira demasiado libremente, la rotación del protector de la hoja puede ser apretada. Ajuste la Rueda (X) Superior de las tres (3) ruedas debajo del protector de la hoja:

1. Afloje la tuerca que sostiene la Rueda (X) Superior.
2. Ajuste el Tornillo de Fijación (Y) para forzar la Rueda (X) Superior contra la Barra de Trayectoria (Z).
3. Vuelva a apretar la tuerca que sostiene la Rueda (X) Superior en posición.

Alineación de la Hoja (Ilustraciones 11 y 12):

- El eje de la hoja en esta máquina está alineado en fábrica, de modo que una nueva hoja cortará “a escuadra” con el material colocado en el Conjunto del Carro (C). Si la sierra o el Conjunto de Plataforma del Cabezal (B) se cae o se daña, la hoja podría desalinearse, de manera que ya no corte “a escuadra” a través del material. De ocurrir esto, el eje de la hoja debería ser realineado de manera que produzca cortes “a escuadra”. Si la Hoja está seriamente fuera de alineación [1/16" (1,5 mm) o más] el Conjunto de Plataforma del Cabezal (B) puede necesitar ser “doblado”, de modo que la hoja esté más cerca de estar alineada. En casos de daño severo, la Estructura Soldada de la Plataforma del Cabezal debería ser reemplazada. La alineación precisa puede ser alcanzada usando Calces (HH) de distinto espesor. Ver la sección de lista de piezas de este documento para obtener información sobre el número de pieza y el espesor de los calces.

⇒ **Nota:** ¡Antes de comenzar a alinear la plataforma del cabezal, asegúrese que la hoja esté plana y que NO está doblada o dañada!

⇒ **Nota:** ¡Cuando alinee la hoja contra la escuadra, asegúrese de permitir la diferencia de espesor entre el segmento diamantado y el núcleo central de la hoja!

1. Asegúrese que el Carro Transportador (C) ruede libremente a lo largo de la bandeja. Si la bandeja se daña, ella debe ser reparada o reemplazada antes que la hoja pueda ser alineada. Trabe el Conjunto de Plataforma del Cabezal (B), de manera segura, en una posición horizontal.
2. **ALINEACION PARALELA** (Ver la Ilustración 11): Proporcione una Escuadra (GG) y colóquela en el Carro Transportador (C), y ruede el carro mientras la Escuadra (GG) descansa contra la hoja. Ajuste el Eje de la Hoja dentro de la Alineación Paralela (si se requiere) poniendo Calces (HH) entre la carcasa del eje de la hoja y la estructura soldada de la plataforma del cabezal en la ubicación "A1" (Ver la Ilustración 11). Afloje, pero no saque, los Tornillos de Cabeza Plana (JJ) que sostienen el eje de la hoja en posición. Deslice un calce, del espesor apropiado, hacia arriba y posicione alrededor de la rosca de uno de los tornillos de cabeza plana. Ajuste los herrajes y verifique la alineación de la hoja. Agregue más calces, de ser necesario, hasta que el eje de la hoja tenga Alineación Paralela.
3. **ALINEACION PERPENDICULAR** (Ver la Ilustración 12): Coloque la Escuadra (GG) en el Carro Transportador (C), de manera que esté contra la hoja de la sierra y que esté debajo del centro del eje de la hoja. Si la Escuadra (GG) NO está en contacto con la Hoja Diamantada (DD) a lo largo de toda la altura de la escuadra, el eje de la hoja debe ser ajustado en Alineación Perpendicular. Ajuste el eje de la hoja poniendo Calces (HH) entre la carcasa del eje de la hoja y la estructura soldada de la plataforma del cabezal en la ubicación "B2" (Ver la Ilustración 12). Afloje, pero no saque, los Tornillos de Cabeza Plana (KK) que sostienen el eje de la hoja en posición. Deslice un calce, del espesor apropiado, hacia adentro y posicione alrededor de la rosca de uno de los tornillos de cabeza plana. Ajuste los herrajes y verifique la alineación de la hoja. Agregue más calces, de ser necesario, hasta que el eje de la hoja tenga Alineación Perpendicular.

8 Tensión de la Cinta en V

Todos los Modelos: (Ver Ilustraciones 5 y 6)

- Inspeccione la tensión de la Cinta en V cuando la unidad es nueva y nunca fije la tensión de la cinta más allá de este punto.
- La sierra está equipada con Cintas en V de alta tensión. Las cintas están tensionadas apropiadamente en fábrica, pero después de unas pocas horas de operación, ellas se extenderán y se aflojarán.
- Tensionamiento de las Cintas en V del Eje de la Hoja:
 1. Afloje los cuatro (4) tornillos de cabeza plana que sostienen el motor (Modelos Eléctricos) o la Plataforma del Motor (Modelos a Gasolina).
 2. Apriete el Perno de Tensionamiento de la Cinta (SS) en la parte posterior de la sierra hasta que la cinta sea apretada a la tensión original de fábrica.
 3. Vuelva a apretar los cuatro (4) tornillos de cabeza plana que sostienen el motor (Modelos Eléctricos) o la Plataforma del Motor (Modelos a Gasolina).

Modelo Eléctrico:

- Ver "Todos los Modelos" del texto anterior.

Modelo a Gasolina:

- Tensión de la Cinta en V del Eje de la Hoja (Ver la Ilustración 6): La excesiva tensión de la cinta producirá el desalineamiento del motor porque el motor está montado en cuatro (4) Aisladores (W) de vibración de goma. Pare de tensionar la cinta en V de transmisión del eje de la hoja cuando la sección central del Aislador (W) del frente a la mano derecha comienza a separarse de su plato de montaje. El tensionamiento de la Cinta en V de transmisión del Eje de la Hoja más allá de este punto no es recomendado porque el Aislador (W) del frente a la mano derecha no funcionará de manera apropiada.
- Tensión de la Cinta en V (EE) de la Bomba de Agua (Ver la Ilustración 8): Puede necesitar ser apretada después de cuatro horas de operación. Con el tiempo, esta Cinta en V puede extenderse más allá de la longitud de la ranura de ajuste. Si esto sucede, simplemente saque la Cinta en V y extraiga una o más conexiones (las que sean necesarias) de su longitud.

9 Consejo Importante

- Nunca transporte la sierra con el cabezal de corte posicionado en el almacén. El movimiento puede hacer que el cabezal se desalinee.
- Cuando guarde la máquina por un extenso período de tiempo, use un cepillo de metal para sacar el lodo endurecido y solidificado. Limpie y lubrifique cuidadosamente las piezas móviles, de manera que para el siguiente trabajo la sierra esté lista para la operación.
- Las cintas de transmisión deben estar ajustadas. Cuando las cintas están flojas, se pierde potencia. ¡Reemplace las cintas usadas sin demoras!
- La hoja debe ajustarse apretadamente al eje, especialmente en las hojas diamantadas. De otra forma, se producirá un martillamiento y esto dañará seriamente las hojas. Si el reborde del eje está hendido en donde la hoja diamantada se ha trabado en el corte mientras el eje continuaba su giro, el eje debe ser reemplazado, o la vida útil de la hoja será acortada severamente.
- Las bridas de la hoja deben ser de diámetro completo, como mínimo de 4" (100 mm). Reemplace las bridas desgastadas de una vez porque las bridas de tamaño reducido acortarán la vida útil y producirán la rotura de la hoja.
- Verifique regularmente la condición del carro transportador. Reemplace frecuentemente las ruedas y la inserción de madera.
- Asegúrese que el cabezal de corte esté correctamente alineado. El desalineamiento de la hoja debido al daño por manipuleo o el transporte de la sierra con el cabezal de corte en el almacén puede afectar seriamente la vida útil de la hoja.
- ¡Reemplace los cojinetes ruidosos inmediatamente! Los cojinetes desgastados destruirán la hoja rápidamente.
- Haga pasar agua limpia a través de la bomba y rocíe el conjunto después de cada trabajo para prolongar la vida útil de la bomba y de la hoja.

- Las hojas diamantadas pueden necesitar ser “afiladas”. Las hojas pueden ser eficientemente “afiladas” con palillos afiladores.



ADVERTENCIA: ¡Nunca use ladrillos refractarios para “afilar” las hojas diamantadas!

- Las hojas abrasivas deben ser de un tipo reforzado. Nunca use una hoja abrasiva con agua. Estos productos pueden ser dañados por el abuso del operador; por ejemplo, atascando el material dentro de la hoja. ¡Esto también puede ser peligroso!

10 Accesorios

Los siguientes accesorios y equipos están disponibles para esta máquina. Vea la sección Lista de Piezas de este documento para obtener el número de pieza. Para obtener información adicional, póngase en contacto con su proveedor local o llame a nuestro número de teléfono gratuito de Servicio al Cliente, que se muestra en la página frontal:

- Conjunto de Soporte Doblable
- Equipo de Patín
- Equipo de Pedal de Pie
- Equipo de Rueda, Carro Transportador (Juego de 4)
- Cable Adaptador, 115V, 15 Amperes Directo A Una Traba por Giro de 20 Amperes (Para Motor de 1-1/2 HP Solamente)
- Equipo para Reparación de Bomba de Agua *
- Equipo de Carro Transportador, Completo *
- Juego de Reglas, Carro Transportador *

***Nota:** Este artículo tiene un número de pieza diferente para las unidades eléctricas y a gasolina.

11 Reparaciones

Nosotros efectuamos todas las reparaciones en el período de tiempo más corto posible y a los precios más económicos. Vea nuestra dirección y números de teléfono en la página frontal.

12 Piezas De Repuesto

Para una pronta provisión de piezas de repuesto, es esencial que se proporcionen los datos mostrados en la Placa de Número de Serie (TT) (Ver la Ilustración 10) fijada a la máquina. Tome nota de esta información más abajo para tener una rápida referencia:

Información de Referencia

Modelo No: _____

Serie No: _____

Fecha Recibida: _____

NOTAS:

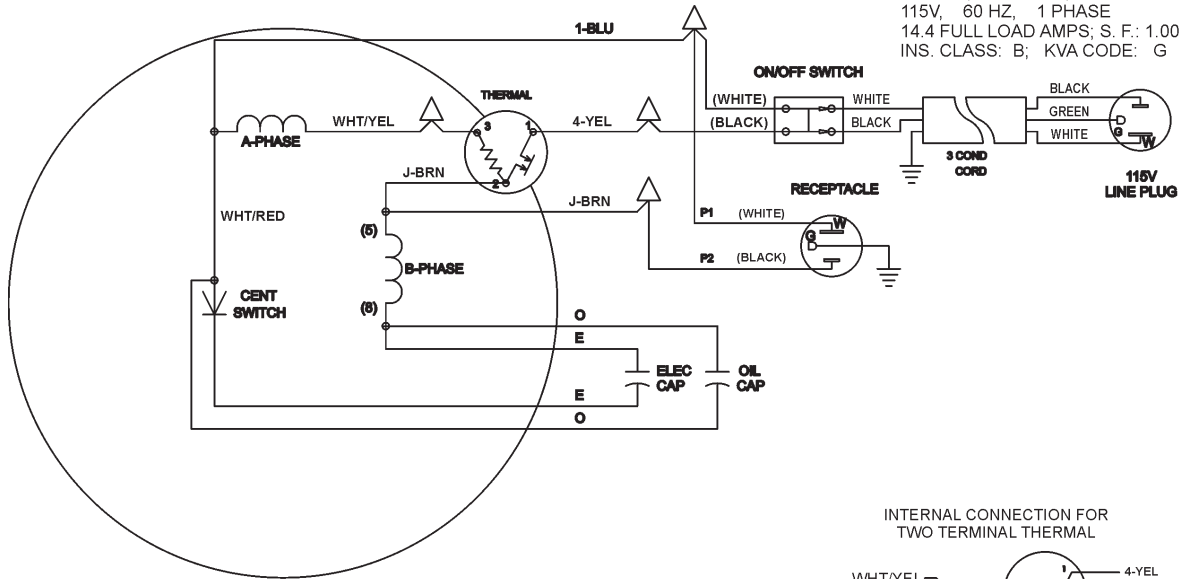
Las instrucciones de uso y las piezas de recambio presentadas en este documento son solamente para información y no constituyen obligación ninguna. Como parte de nuestra política de mejoramiento de la calidad de nuestros productos, nos reservamos el derecho de hacer cualquiera y todas las modificaciones técnicas sin previo aviso.



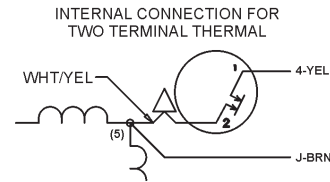
¡El fabricante no acepta ninguna responsabilidad por accidentes debidos al uso indebido o modificaciones hechas a la maquina!

Wiring Diagram: 1-1/2 HP Electric Motor S.V.

HUSQVARNA NO: 542 20 30-79
 BALDOR SPEC NO: 35U375Q749
 1 1/2 HP, 3450 RPM, T. E. F. C.
 115V, 60 HZ, 1 PHASE
 14.4 FULL LOAD AMPS; S. F.: 1.00
 INS. CLASS: B; KVA CODE: G



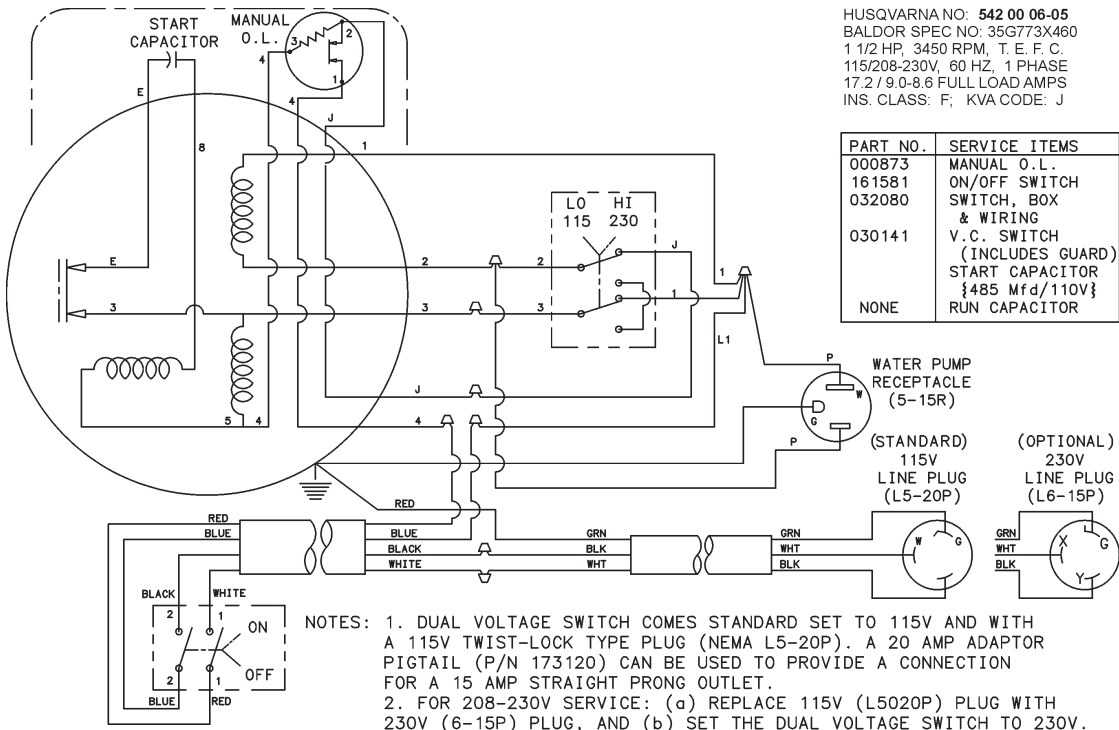
- NOTE:
1. CONNECTION SHOWN FOR CCW ROTATION FACING OPPOSITE SHAFT EXTENSION.
 2. LEAD COLORS ARE OPTIONAL. LEADS MUST ALWAYS BE NUMBERED AS SHOWN.



PART NO.	SPEC. NO.	HP	RPM	VOLT	HZ	PH	F. L. AMPS
542203079	35U375Q749	1.5	3450	115/208-230	60	1	14.4

Wiring Diagram: 1-1/2 HP Electric Motor D.V.

HUSQVARNA NO: 542 00 06-05
 BALDOR SPEC NO: 35G773X460
 1 1/2 HP, 3450 RPM, T. E. F. C.
 115/208-230V, 60 HZ, 1 PHASE
 17.2 / 9.0-8.6 FULL LOAD AMPS
 INS. CLASS: F; KVA CODE: J

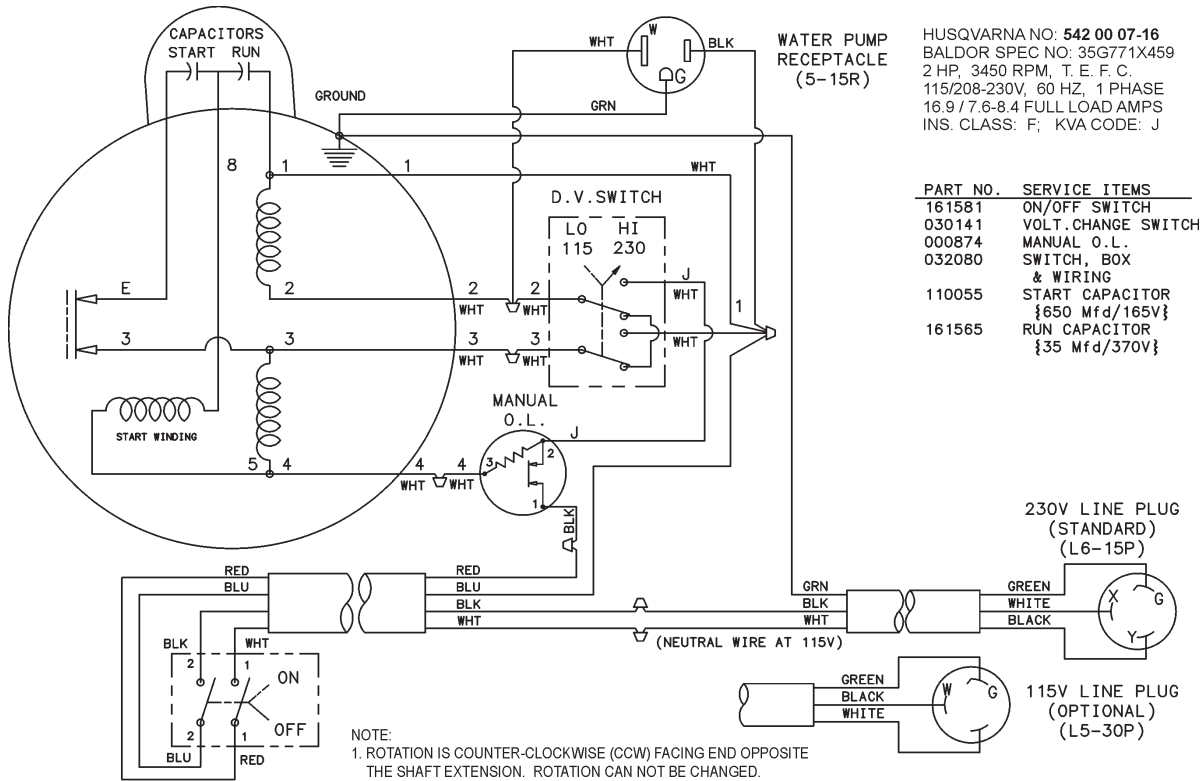


PART NO.	SERVICE ITEMS
000873	MANUAL O.L.
161581	ON/OFF SWITCH
032080	SWITCH, BOX & WIRING
030141	V. C. SWITCH (INCLUDES GUARD)
	START CAPACITOR {485 Mfd/110V}
	RUN CAPACITOR
NONE	

- NOTES:
1. DUAL VOLTAGE SWITCH COMES STANDARD SET TO 115V AND WITH A 115V TWIST-LOCK TYPE PLUG (NEMA L5-20P). A 20 AMP ADAPTOR PIGTAIL (P/N 173120) CAN BE USED TO PROVIDE A CONNECTION FOR A 15 AMP STRAIGHT PRONG OUTLET.
 2. FOR 208-230V SERVICE: (a) REPLACE 115V (L5020P) PLUG WITH 230V (6-15P) PLUG, AND (b) SET THE DUAL VOLTAGE SWITCH TO 230V.

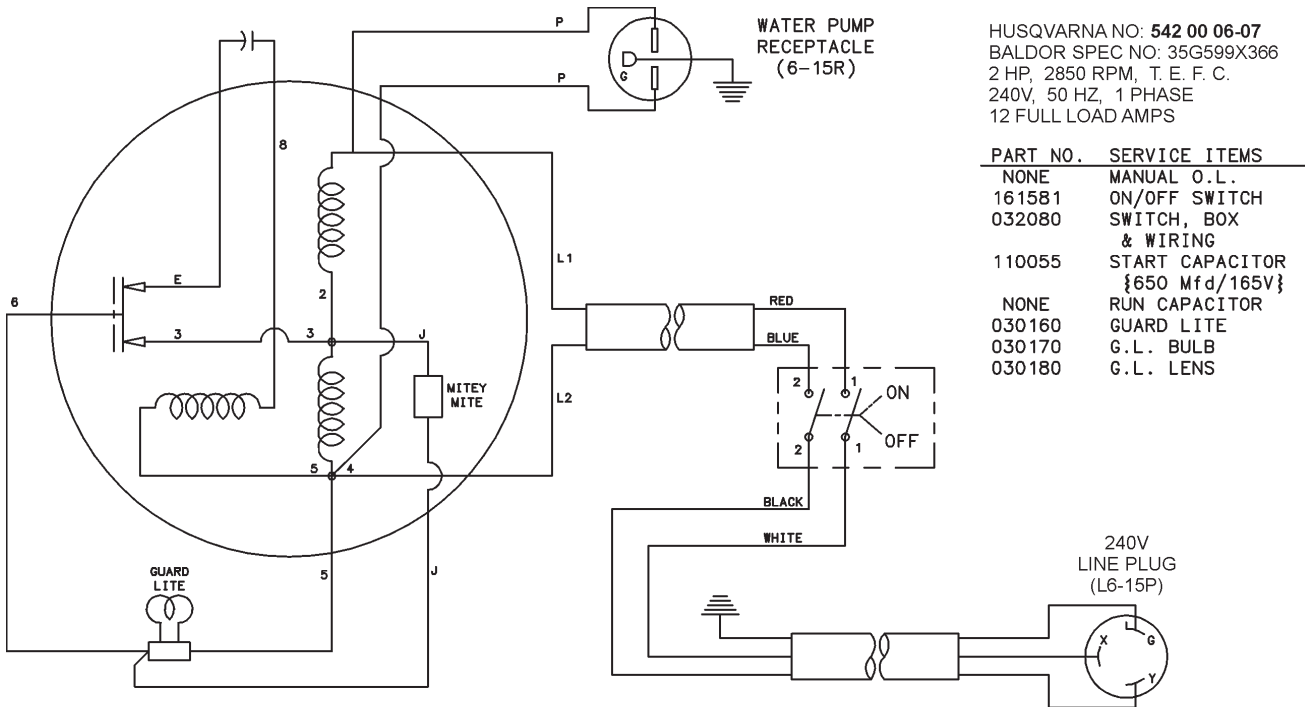
PART NO.	SPEC. NO.	HP	RPM	VOLT	HZ	PH	F. L. AMPS
542000605	35G773X460	1.5	3450	115/208-230	60	1	17.2/9-8.6

Wiring Diagram: 2 HP Electric Motor



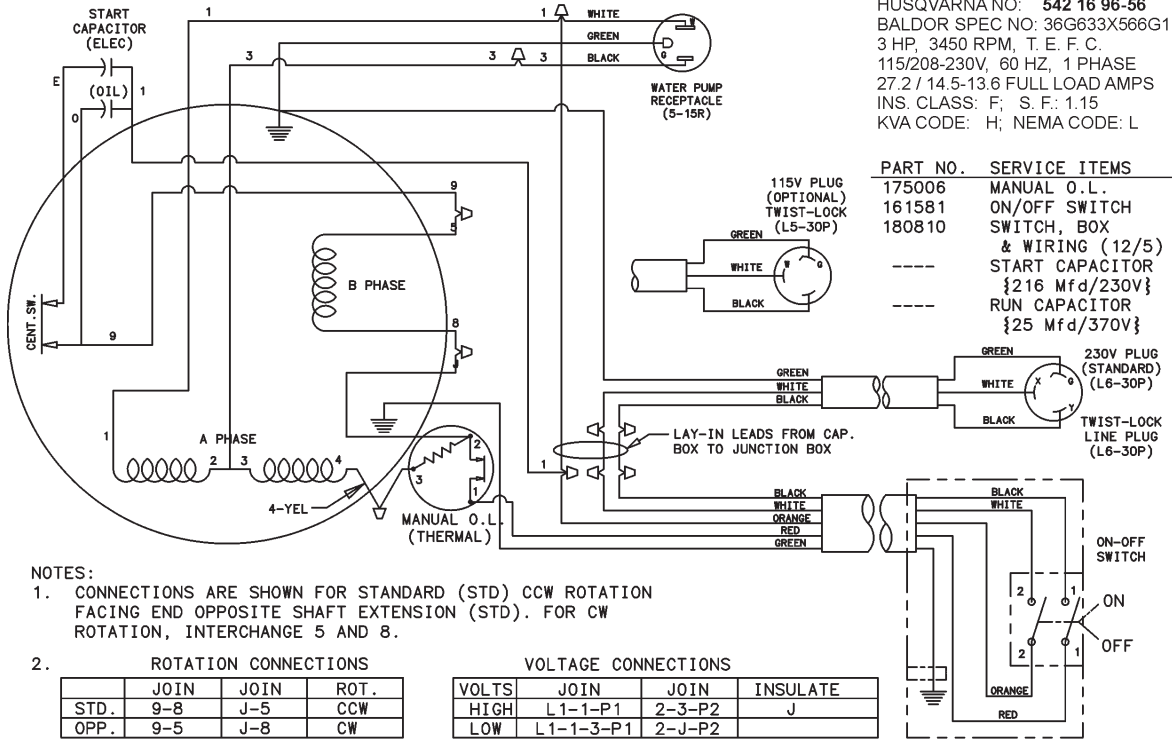
PART NO.	SPEC. NO.	HP	RPM	VOLT	HZ	PH	F. L. AMPS
542000716	35G771X459	2	3450	115/208-230	60	1	16.8/7.6-8.4

Wiring Diagram: 2 HP Electric Motor - 50Hz



PART NO.	SPEC. NO.	HP	RPM	VOLT	HZ	PH	F. L. AMPS
542000607	35G599X366	2	2850	240	50	1	12

Wiring Diagram: 3 HP Electric Motor

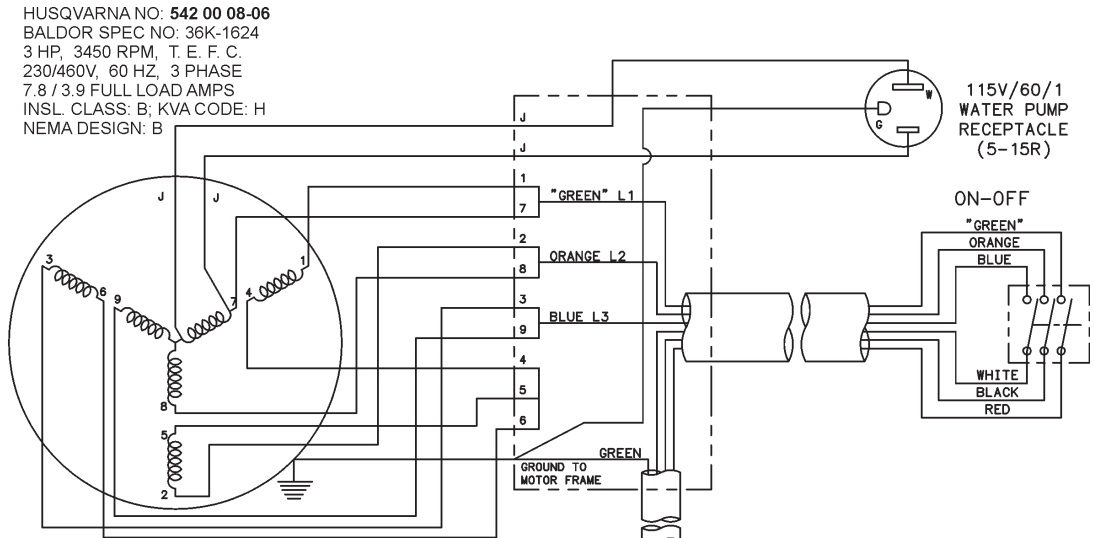


HUSQVARNA NO: 542 16 96-56
 BALDOR SPEC NO: 36G633X566G1
 3 HP, 3450 RPM, T. E. F. C.
 115/208-230V, 60 HZ, 1 PHASE
 27.2 / 14.5-13.6 FULL LOAD AMPS
 INS. CLASS: F; S. F.: 1.15
 KVA CODE: H; NEMA CODE: L

PART NO.	SERVICE ITEMS
175006	MANUAL O.L.
161581	ON/OFF SWITCH
180810	SWITCH, BOX
----	& WIRING (12/5)
----	START CAPACITOR
----	{216 Mfd/230V}
----	RUN CAPACITOR
----	{25 Mfd/370V}

PART NO.	SPEC. NO.	HP	RPM	VOLT	HZ	PH	F. L. AMPS
542169656	36H633X566G1	3	3450	115/208-230	60	1	27.2/14.513.6

Wiring Diagram: 3 HP Electric Motor



HUSQVARNA NO: 542 00 08-06
 BALDOR SPEC NO: 36K-1624
 3 HP, 3450 RPM, T. E. F. C.
 230/460V, 60 HZ, 3 PHASE
 7.8 / 3.9 FULL LOAD AMPS
 INSL. CLASS: B; KVA CODE: H
 NEMA DESIGN: B

LINE	L1	L2	L3	JOIN	JOIN	JOIN
COLOR	GREEN	ORANGE	BLUE			
230V	1, 7	2, 8	3, 9	4, 5, 6	---	---
460V	1	2	3	4, 7	5, 8	6, 9

NOTE:
 1. TO CHANGE ROTATION: REVERSE 2 LINE LEADS ON LINE PLUG.

PART NO.	SPEC. NO.	HP	RPM	VOLT	HZ	PH	F. L. AMPS
542000806	36K16-1624	3	4450	230/460	60	3	7.8 / 3.9

Wiring Diagram: 5.5 HP Honda

See Engine Operation Manual

NOTE:
NOTA:

NOTE:
NOTA:

NOTE:
NOTA:



Corporate Office

17400 West 119th Street
Olathe, Kansas 66061

Customer Service: 800-288-5040
Customer Serv. Fax: 800-825-0028
Corporate Office: 913-928-1000
Corp. Office Fax: 913-438-7951

South Carolina

Customer Service: 800-845-1312
Customer Serv. Fax: 800-257-9284

Canada

Customer Service: 800-461-9589
Customer Serv. Fax: 800-728-1907

International

Customer Service: 913-928-1300
Customer Serv. Fax: 913-438-7938



DUST WARNING

Cutting, especially when DRY cutting, generates dust that comes from the material being cut, which frequently contains silica. Silica is a basic component of sand, quartz, brick clay, granite and numerous other minerals and rocks. Exposure to excessive amount of such dust can cause:

- Respiratory diseases (affecting your ability to breath), including chronic bronchitis, silicosis and pulmonary fibrosis from exposure to silica. These diseases may be fatal;
- Skin irritation and rash; and
- Cancer according to NTP* and IARC*

* National Toxicology Program, International Agency for Research on Cancer

Take precautionary steps

- Avoid inhalation of and skin contact with dust, mist and fumes;
- Wet cut when feasible, to minimize dust;
- Wear and ensure that all bystanders wear appropriate respiratory protection such as dust masks designed to filter out microscopic particles. (See OSHA 29 CFR Part 1910.1200)

California Prop 65 Warning:

Use of this product can cause exposure to materials known to the State of California to cause cancer and/or birth defects or other reproductive harm.





www.husqvarnacp.com

542 20 11-04