



Water Tank

Reservdelar

Spare parts

Ersatzteile

Pieces de rechange

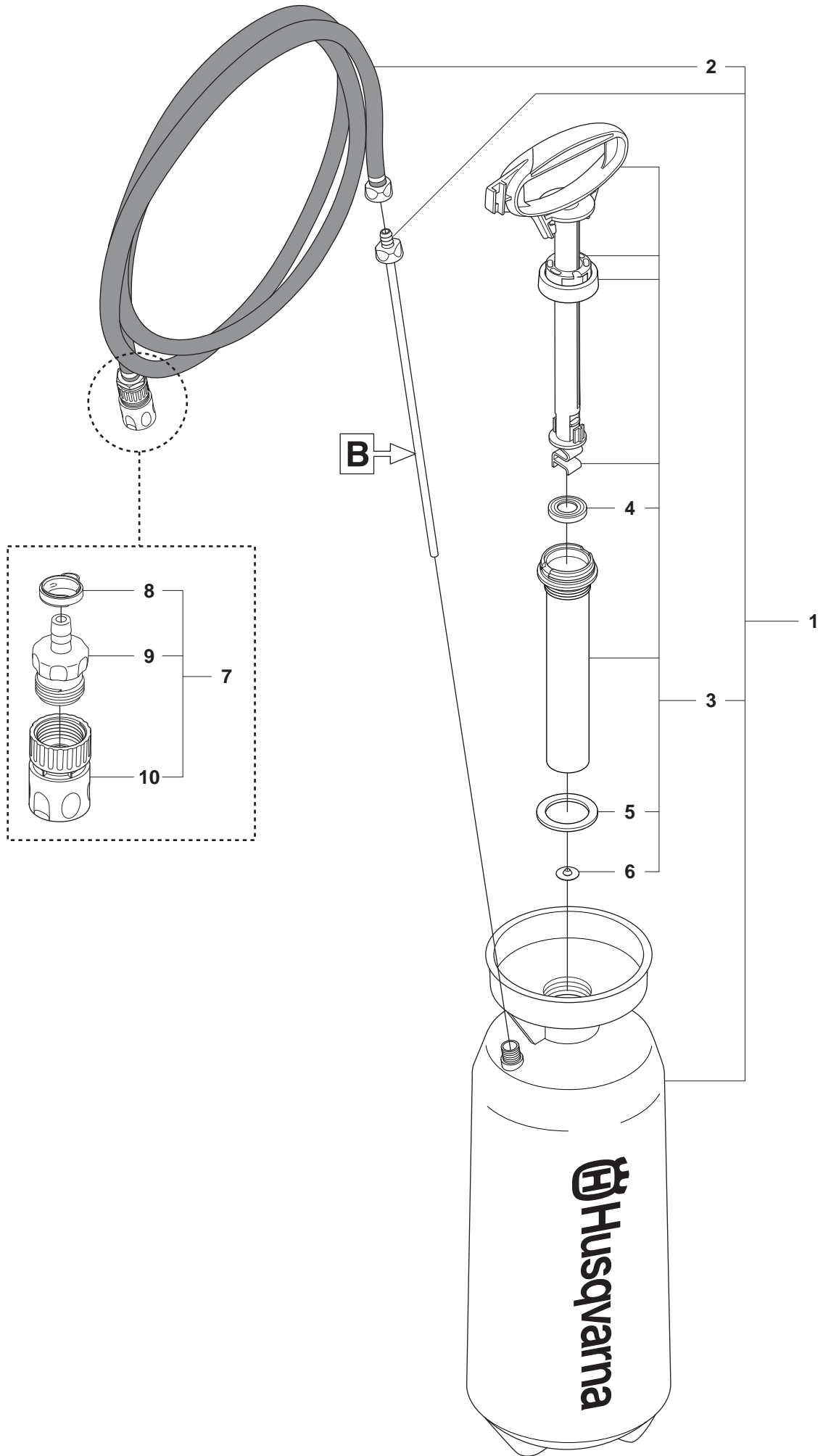
Piezas de repuesto

Ricambi

Peças sobresselente

No.	Pos.	Description	No.	Pos.	Description
503 21 06-19	C	SCREW			
503 21 54-20	C	SCREW			
503 26 30-21	CD	O-RING			
503 26 60-02	AD	COUPLER			
503 70 67-02	B	HOSE CLAMP			
504 14 30-01	A	WATER TANK CPL			
506 09 56-02	ACD	HOSE CLAMP			
506 09 58-24	C	HOSE			
506 09 75-02	C	HOSE			
506 20 15-01	A	GASKET			
506 20 15-02	A	VALVE			
506 20 15-03	A	GASKET			
506 20 15-05	B	HOSE CONNECTION CPL			
506 20 15-06	B	NUT			
506 29 56-01	C	NIPPLE			
506 29 57-02	CD	NIPPLE			
506 29 88-01	CD	FILTER			
506 31 77-31	C	VALVE ASSY			
506 32 63-02	A	WATER TANK			
506 32 87-01	C	Y-TUBE			
506 32 89-34	D	HOSE KIT			
506 32 90-21	C	HOSE			
506 35 27-01	C	PROTECTIVE SPRING			
506 36 26-01	AD	NIPPLE			
506 38 59-04	C	HOSE			
506 38 60-12	C	VALVE ASSY			
506 38 80-01	A	HOSE			
531 03 10-05	A	PUMP			
531 03 10-07	B	HOSE NIPPLE			
544 00 31-02	C	WATER HOSE KIT			
544 00 31-03	C	WATER HOSE KIT			
544 00 31-05	C	WATER HOSE KIT			
544 23 71-02	AD	HOSE COUPLING			
740 42 08-00	B	O-RING			

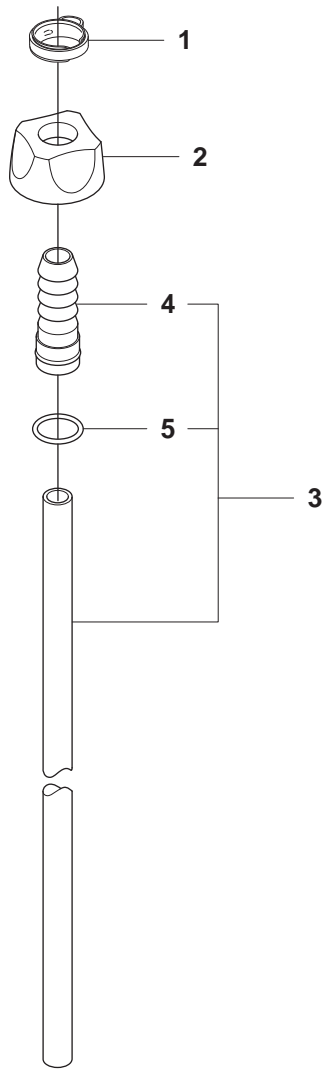
A Water Tank



Page A**Water pressures tank**

Pos.	Part No.	Description	Quantity	Notes
1	506 32 63-02	WATER TANK	1	Incl. 2, 3
2	506 38 80-01	HOSE	1	
3	531 03 10-05	PUMP	1	Incl. 4, 5, 6
4	506 20 15-01	GASKET	1	
5	506 20 15-03	GASKET	1	
6	506 20 15-02	VALVE	1	
7	544 23 71-02	HOSE COUPLING	1	Incl. 8, 9, 10
8	506 09 56-02	HOSE CLAMP	1	
9	506 36 26-01	NIPPLE	1	
10	503 26 60-02	COUPLER	1	

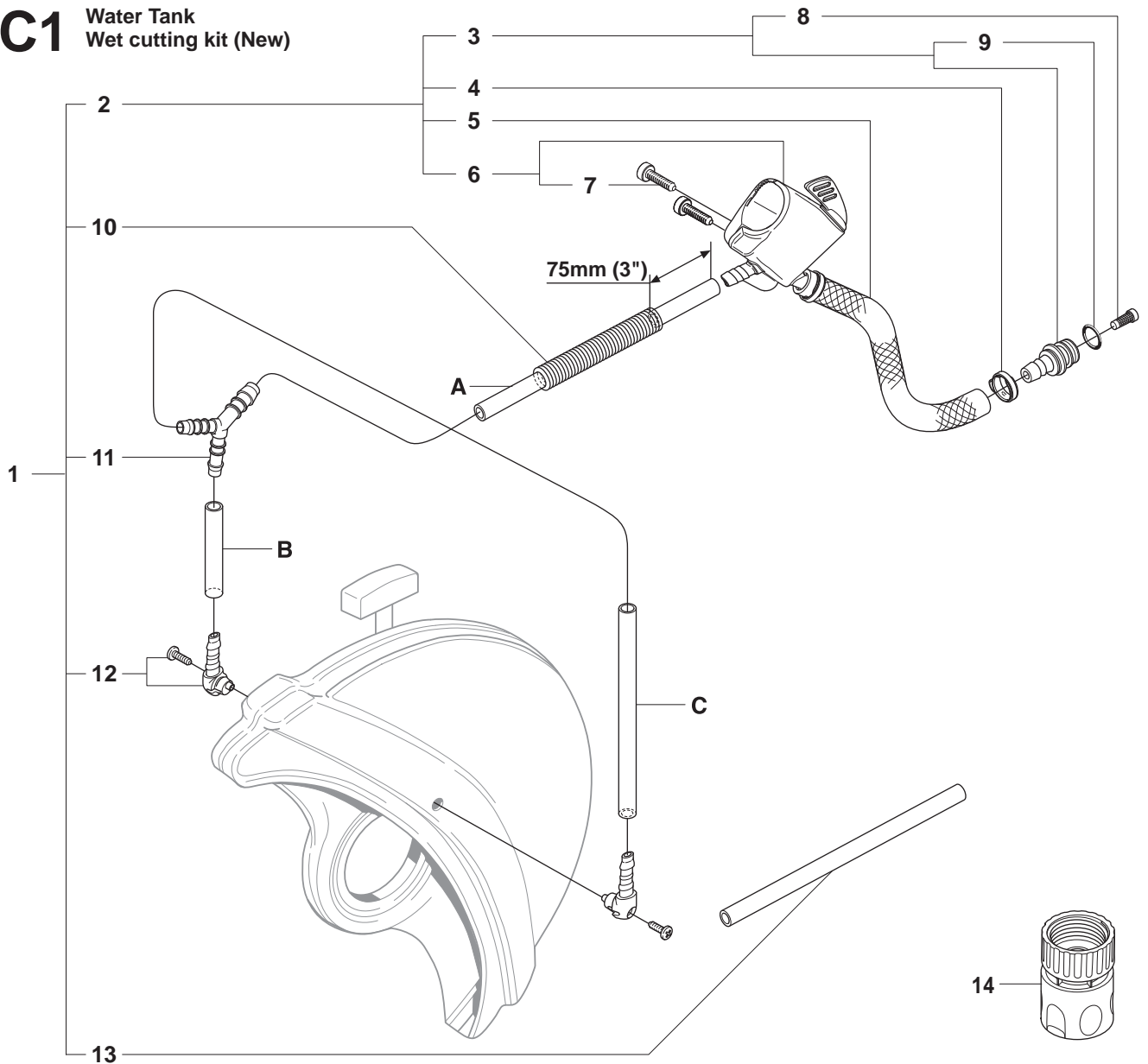
B Water Tank



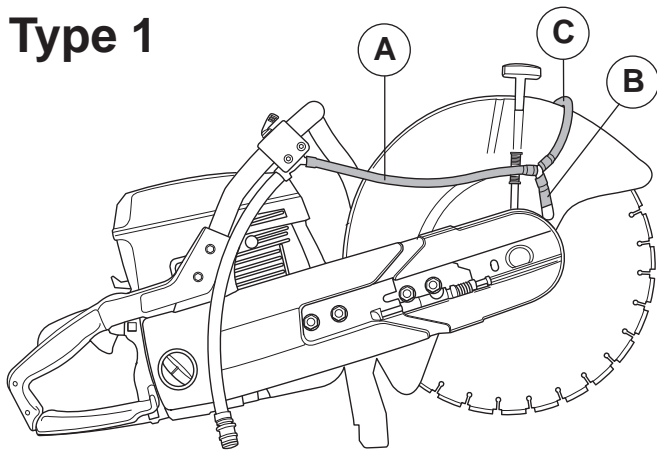
Page B**Water pressures tank**

Pos.	Part No.	Description	Quantity	Notes
1	503 70 67-02	HOSE CLAMP	1	
2	506 20 15-06	NUT	1	
3	506 20 15-05	HOSE CONNECTION CPL	1	Incl. 4, 5
4	531 03 10-07	HOSE NIPPLE	1	
5	740 42 08-00	O-RING	1	

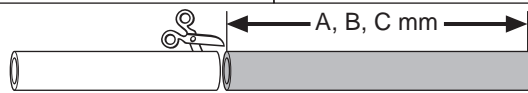
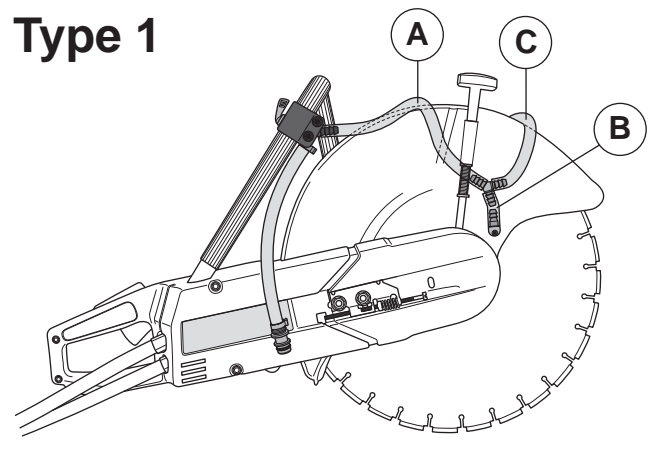
C1 Water Tank Wet cutting kit (New)



Type 1



Type 1



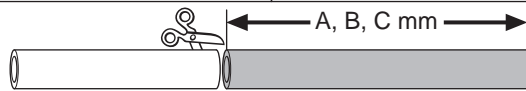
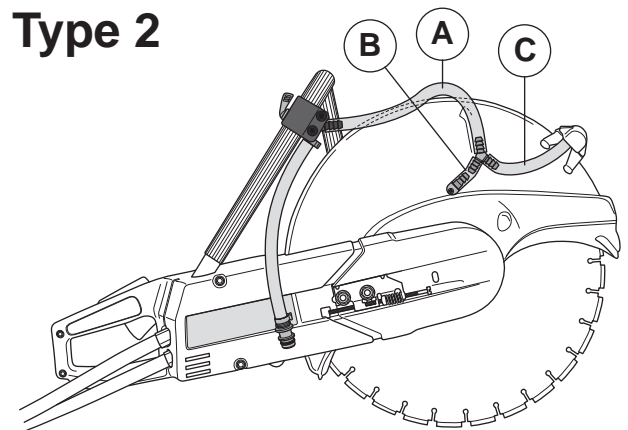
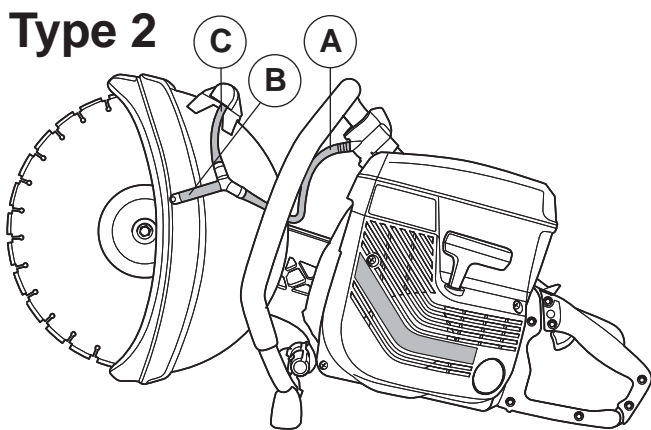
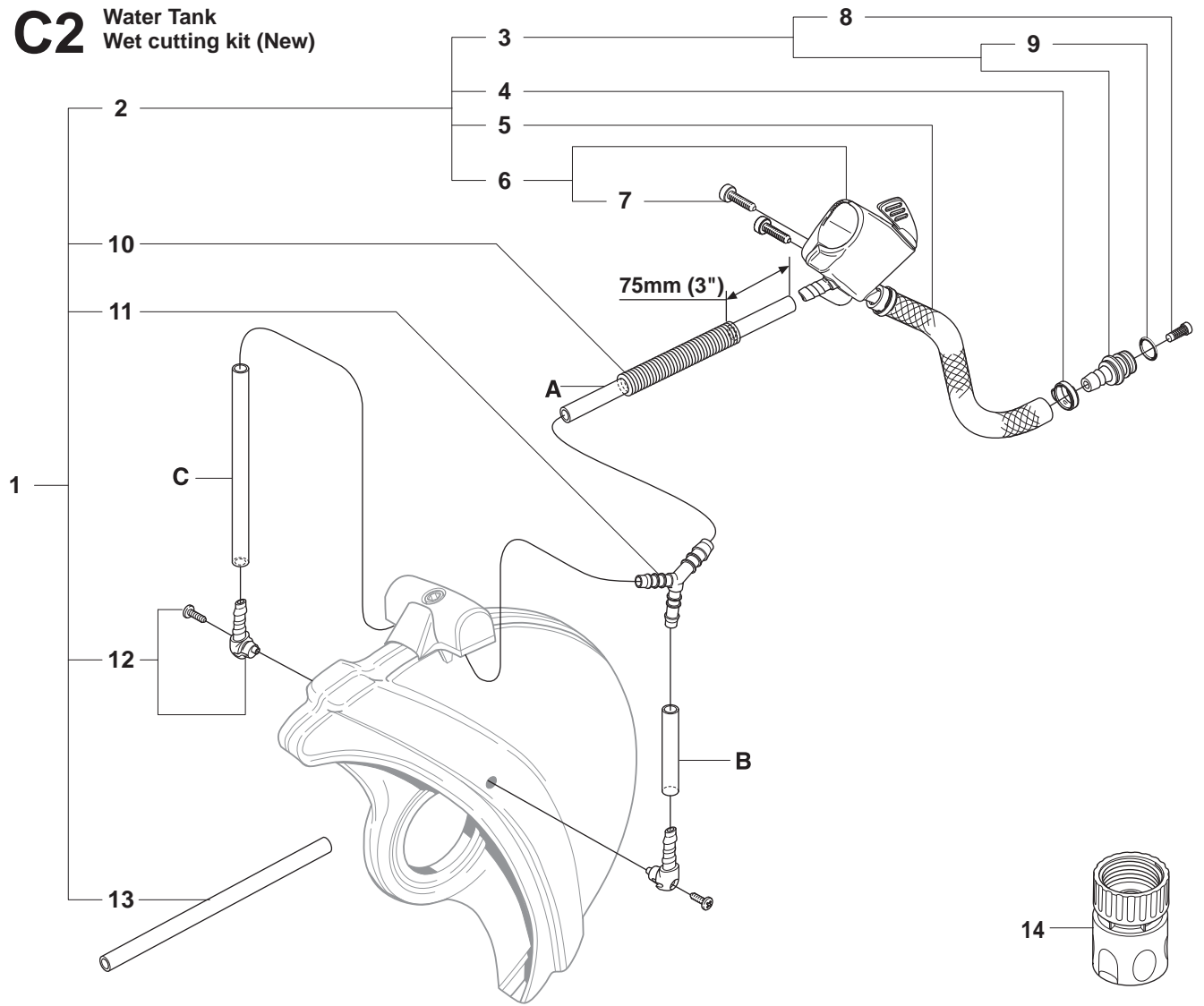
Type 1 Product	A (mm)	B (mm)	C (mm)
K650A II 12"	240	45	240
K700A II 14"	240	45	280
K30 12"	270	45	210
K40 14"	240	45	300

Type 1 Product	A (mm)	B (mm)	C (mm)
K2500 16"	240	45	360

Page C1**Water pressures tank**

Pos.	Part No.	Description	Quantity	Notes
1	544 00 31-03	WATER HOSE KIT	1	Incl. 2, 10 - 13
2	506 32 90-21	HOSE	1	Incl. 3 - 6
3	506 29 57-02	NIPPLE	1	Incl. 8
4	506 09 56-02	HOSE CLAMP	2	
5	506 09 75-02	HOSE	1	L=230mm
6	506 31 77-31	VALVE ASSY	1	Incl. 7
7	503 21 06-19	SCREW	2	
8	506 29 88-01	FILTER	1	
9	503 26 30-21	O-RING	1	
10	506 35 27-01	PROTECTIVE SPRING	1	
11	506 32 87-01	Y-TUBE	1	
12	506 29 56-01	NIPPLE	2	
13	506 09 58-24	HOSE	1	
14	503 26 60-02	COUPLER	1	

C2 Water Tank Wet cutting kit (New)



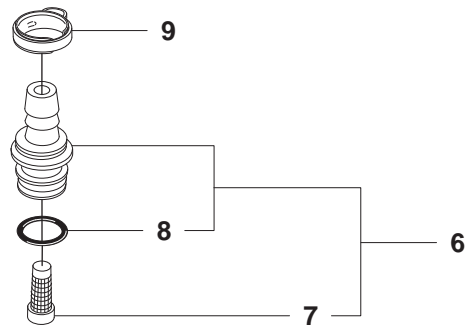
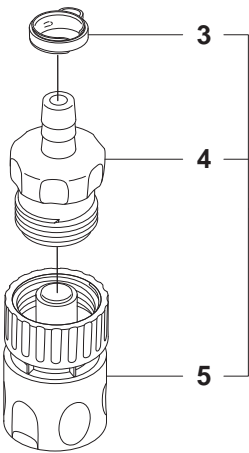
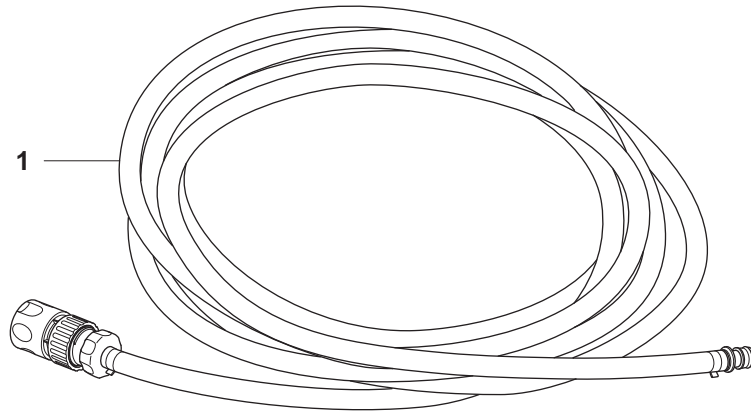
Type 2 Product	A (mm)	B (mm)	C (mm)
K650A III 12" K700A III 14"	240 240	45 45	240 280
K750 12" K750 14"	240 240	45 45	240 280
K950A 12" K950A 14" K950A 16"	240 240 270	45 45 45	240 280 360
K1250A 14" K1250A 16"	280 270	45 45	280 360

Type 2 Product	A (mm)	B (mm)	C (mm)
K2500 16"	240	45	360

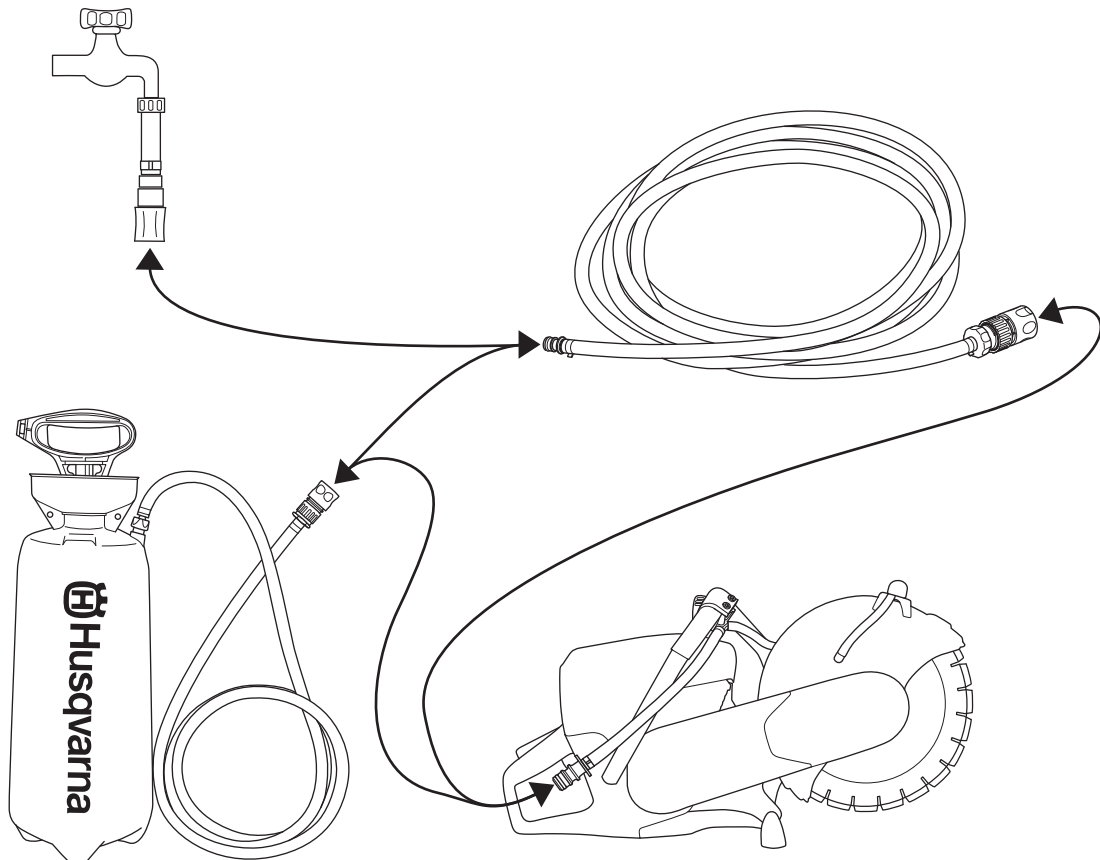
Page C2**Water pressures tank**

Pos.	Part No.	Description	Quantity	Notes
1	544 00 31-02	WATER HOSE KIT	1	K750. Incl. 2, 10 - 13
1	544 00 31-03	WATER HOSE KIT	1	Incl. 2, 10 - 13
2	506 32 90-21	HOSE	1	Incl. 3 - 6
2	506 38 59-04	HOSE	1	K750. Incl. 3 - 6
3	506 29 57-02	NIPPLE	1	Incl. 8
4	506 09 56-02	HOSE CLAMP	2	
5	506 09 75-02	HOSE	1	L=230mm
6	506 31 77-31	VALVE ASSY	1	Incl. 7
6	506 38 60-12	VALVE ASSY	1	K750. Incl. 7
7	503 21 06-19	SCREW	2	
7	503 21 54-20	SCREW	1	K750
8	506 29 88-01	FILTER	1	
9	503 26 30-21	O-RING	1	
10	506 35 27-01	PROTECTIVE SPRING	1	
11	506 32 87-01	Y-TUBE	1	
12	506 29 56-01	NIPPLE	2	
13	506 09 58-24	HOSE	1	
14	503 26 60-02	COUPLER	1	

D Water Tank
Accessories
Zubehöre
Accessoires
Accesorios
Tillbehör



PARTNER WET CUTTING SYSTEM



Page D**Water pressures tank**

Pos.	Part No.	Description	Quantity	Notes
1	506 32 89-34	HOSE KIT	1	
2	544 23 71-02	HOSE COUPLING	1	Incl. 3, 4, 5
3	506 09 56-02	HOSE CLAMP	2	
4	506 36 26-01	NIPPLE	1	
5	503 26 60-02	COUPLER	1	
6	506 29 57-02	NIPPLE	1	Incl. 7, 8
7	506 29 88-01	FILTER	1	
8	503 26 30-21	O-RING	1	