

DS 50 Gyro

Reservdelar

Spare parts

Ersatzteile

Pieces de rechange

Piezas de repuesto

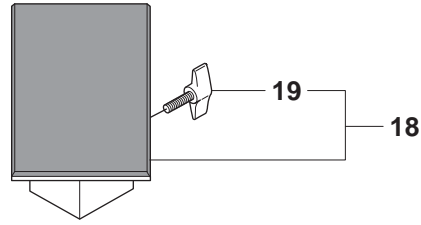
Ricambi

Peças sobresselente

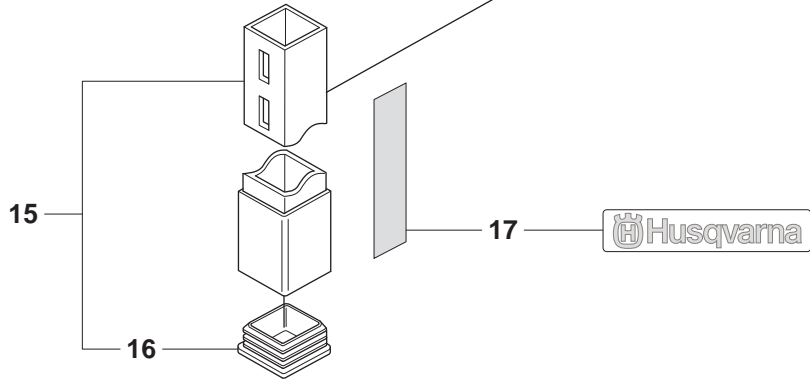
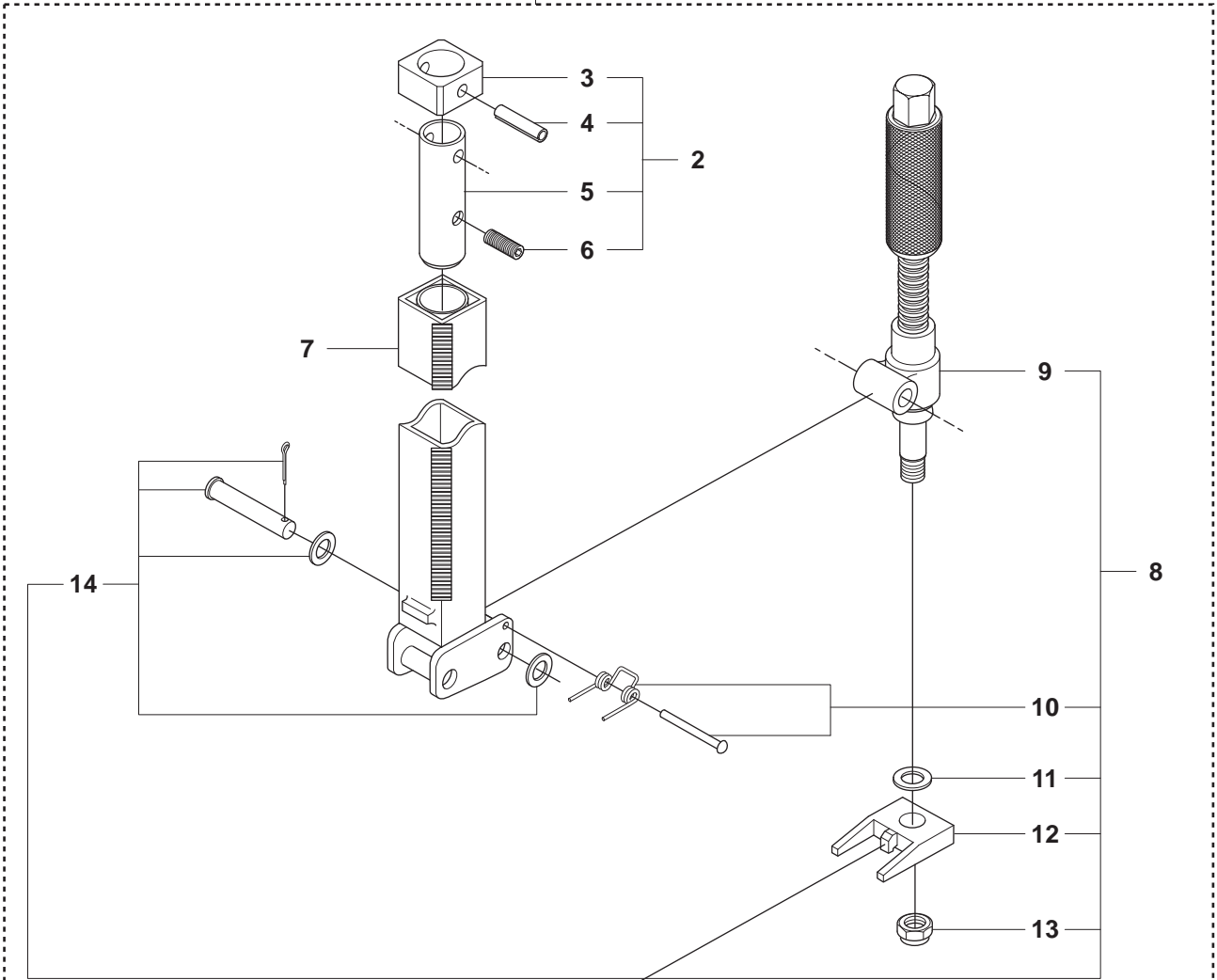
| No. | Pos. | Description | No. | Pos. | Description |
|--------------|------|--------------------------|--------------|------|--------------------|
| 501 38 46-03 | D | HANDLE CPL | 506 40 91-04 | D | GYRO UNIT 50 ASSY |
| 501 38 46-04 | DKL | HANDLE CPL | 531 14 06-00 | E | NUT |
| 501 38 47-01 | D | SPRING | 531 14 06-02 | A | WING SCREW |
| 501 38 47-02 | DKL | SPRING | 531 14 06-05 | A | PIN |
| 501 38 60-01 | D | SCREW | 531 14 06-07 | AL | SCREW |
| 501 38 60-02 | DKL | SCREW | 531 14 06-11 | GH | WASHER |
| 501 38 86-01 | E | SCREW | 531 14 06-13 | A | WASHER |
| 501 38 89-01 | H | SCREW | 531 14 06-14 | A | NUT |
| 501 38 90-01 | J | NUT | 531 14 06-16 | A | FORK |
| 504 01 81-01 | D | HANDLE | 531 14 06-18 | BJ | ADJUSTMENT SCREW |
| 504 02 06-01 | B | SHAFT HOLDER | 531 14 06-19 | BC | SCREW |
| 504 02 06-02 | J | SHAFT HOLDER | 531 14 06-20 | ABJ | PLUG |
| 504 02 09-01 | K | FORK | 531 14 06-22 | B | NUT |
| 504 02 10-01 | GHK | DECAL | 531 14 06-23 | BK | R-CLIP |
| 504 02 10-02 | AJ | DECAL | 531 14 06-24 | BK | WHEEL |
| 504 02 10-03 | B | DECAL | 531 14 06-27 | BJK | WASHER |
| 504 02 12-01 | D | SLEEVE | 531 14 06-29 | E | SHAFT |
| 504 02 22-01 | G | DRILL CARRIAGE 50X1 | 531 14 06-30 | EGHJ | NUT |
| 504 02 22-02 | H | DRILL CARRIAGE 50X2 | 531 14 06-32 | EJ | WASHER |
| 504 03 04-01 | B | BASE PLATE 50T | 531 14 06-34 | E | WASHER |
| 504 03 04-02 | J | BASE PLATE 50AT | 531 14 06-36 | EJ | WASHER |
| 506 40 04-01 | A | PIPE OUTER | 531 14 06-37 | E | NUT |
| 506 40 05-01 | A | PIPE INNER | 531 14 06-38 | EJ | WASHER |
| 506 40 05-03 | L | EXT. POLE INNER ASSY | 531 14 06-39 | J | SCREW |
| 506 40 06-05 | C | ADJUSTMENT SCREW CPL. | 531 14 06-40 | E | HANDLE |
| 506 40 06-07 | C | ADJUSTMENT SCREW | 531 14 06-43 | C | KNOB |
| 506 40 07-01 | C | DRILL RACK CPL. | 531 14 06-44 | C | NUT |
| 506 40 08-02 | F | KEYSET CPL | 531 14 06-46 | M | ANCHOR BOLT HOLDER |
| 506 40 08-03 | F | MOTOR MOUNT 50 ASSY | 531 14 06-49 | D | WASHER |
| 506 40 08-04 | F | MOTOR MOUNT 50 CPL | 531 14 06-50 | D | SCREW |
| 506 40 14-01 | A | BOLT KIT | 531 14 06-52 | D | BUSHING |
| 506 40 14-02 | A | BOLT KIT | 531 14 06-56 | D | SPRING |
| 506 40 15-01 | E | SCREW KIT | 531 14 06-57 | D | SCREW |
| 506 40 16-01 | E | HANDLE CPL | 531 14 06-58 | DGH | SCREW |
| 506 40 17-01 | D | SHAFT CPL | 531 14 06-59 | DGH | SCREW |
| 506 40 17-02 | G | SHAFT CPL | 531 14 06-60 | D | SLEEVE INNER |
| 506 40 17-03 | H | SHAFT CPL | 531 14 06-61 | D | SCREW |
| 506 40 18-03 | D | RETAINING RING | 531 14 06-62 | D | WASHER |
| 506 40 19-01 | DG | BUSHING KIT | 531 14 06-63 | D | RETAINER |
| 506 40 19-02 | H | BUSHING KIT | 531 14 06-64 | L | PLUG |
| 506 40 20-01 | GH | HANDLE CPL | 531 14 06-70 | D | SCREW |
| 506 40 21-01 | H | GEAR KIT | 531 14 06-72 | GH | KNOB |
| 506 40 22-01 | J | RETAINER CPL | 531 14 06-73 | GH | SPRING |
| 506 40 76-08 | B | SHAFT HOLDER WITH WHEEL | 531 14 06-74 | F | WEDGE |
| 506 40 76-09 | J | SHAFT HOLDER WITH WHEEL | 531 14 06-75 | K | SLEEVE |
| 506 40 76-10 | K | STABILIZER ASSY | 531 14 06-76 | K | WASHER |
| 506 40 76-12 | K | STABILIZER | 531 14 06-77 | D | BUSHING |
| 506 40 77-08 | GH | ADJUSTABLE LEVER CPL | 531 14 06-79 | K | SCREW |
| 506 40 77-13 | D | ADJUSTABLE LEVER CPL | 531 14 06-81 | F | SCREW |
| 506 40 77-14 | D | ADJUSTABLE LEVER CPL | 531 14 06-82 | GH | HANDLE |
| 506 40 77-15 | K | ADJUSTABLE LEVER CPL | 531 14 06-83 | FGH | NUT |
| 506 40 77-16 | L | ADJUSTABLE LEVER CPL | 531 14 06-84 | GH | SLEEVE |
| 506 40 77-17 | D | HANDLE CPL. | 531 14 06-85 | GH | SCREW |
| 506 40 78-01 | D | SPRING GRIP CPL | 531 14 06-86 | GH | SCREW |
| 506 40 79-11 | B | BASE PLATE 50T NO WHEEL | 531 14 06-92 | H | SCREW |
| 506 40 79-12 | J | BASE PLATE 50AT NO WHEEL | 531 14 06-93 | H | SCREW |
| 506 40 80-09 | B | BASE PLATE 50T ASSY | 531 14 06-94 | H | WASHER |
| 506 40 80-10 | J | BASE PLATE 50AT ASSY | 531 14 06-96 | H | GEAR WHEEL |
| 506 40 81-05 | A | ADJUSTER CPL | 531 14 06-97 | H | BALL BEARING |
| 506 40 81-07 | A | ADJUSTER | 531 14 06-98 | H | SHAFT |
| 506 40 82-01 | A | SLEEVE CPL | 531 14 06-99 | H | BALL BEARING |
| 506 40 83-05 | A | EXPANDABLE COLUMN ASSY | 531 14 07-00 | H | GEAR HOUSING |
| 506 40 84-06 | A | TOP SUPPORT CPL | 531 14 07-06 | H | WEDGE |
| 506 40 85-05 | L | EXT. POLE OUTER ASSY | 531 14 07-10 | F | MOTOR MOUNT |
| 506 40 86-01 | M | TOOL KIT | 531 14 07-11 | F | SCREW |
| 506 40 88-04 | C | DRILL RACK 50 ASSY | 531 14 07-12 | F | WASHER |
| 506 40 89-01 | D | BUSHING KIT | 531 14 07-13 | F | WASHER |
| 506 40 89-02 | GH | BUSHING KIT | 531 14 07-14 | F | SCREW |
| 506 40 90-07 | G | DRILL CARRIAGE 50X1 ASSY | 531 14 07-16 | J | RETAINER |
| 506 40 90-08 | H | DRILL CARRIAGE 50X2 ASSY | 531 14 07-21 | J | BOLT |

| No. | Pos. | Description | No. | Pos. | Description |
|--------------|------|----------------------|-----|------|-------------|
| 531 14 07-22 | EJ | WASHER | | | |
| 531 14 07-23 | J | SCREW | | | |
| 531 14 07-26 | H | GEAR HOUSING | | | |
| 531 14 07-28 | J | WHEEL | | | |
| 531 14 07-30 | J | COVER PLATE | | | |
| 531 14 07-33 | J | SHAFT | | | |
| 531 14 07-35 | K | SCREW | | | |
| 531 14 07-37 | K | SLEEVE | | | |
| 531 14 07-38 | K | PLUG | | | |
| 531 14 07-39 | K | SLEEVE | | | |
| 531 14 07-43 | K | SCREW | | | |
| 531 14 07-48 | L | EXT. POLE OUTER ASSY | | | |
| 531 14 07-53 | A | STOP SLEEVE | | | |
| 531 14 07-57 | J | NUT | | | |
| 531 14 07-62 | M | L ALLEN KEY 8MM | | | |
| 531 14 07-63 | D | RETAINER SPRING GRIP | | | |
| 531 14 07-66 | D | WASHER | | | |
| 531 14 07-67 | D | WASHER | | | |
| 531 14 07-71 | D | SHAFT | | | |
| 531 14 08-04 | D | SCREW | | | |
| 531 14 08-46 | H | NUT | | | |
| 531 14 08-82 | GH | BUSHING | | | |
| 544 06 97-01 | B | LOCKING SCREW | | | |
| 544 12 85-01 | D | DECAL | | | |
| 544 12 85-02 | GH | DECAL | | | |
| 544 21 89-01 | GH | HANDLE | | | |
| 544 22 27-01 | M | SPANNER 30MM | | | |
| 544 22 27-02 | M | SPANNER 24MM | | | |
| 544 22 27-03 | D | KEY | | | |
| 544 23 56-01 | L | SCREW CPL | | | |
| 544 23 56-02 | D | SCREW | | | |
| 544 27 98-01 | M | L ALLEN KEY 6MM | | | |
| 544 34 97-01 | E | RETAINER | | | |

A DS50 GYRO



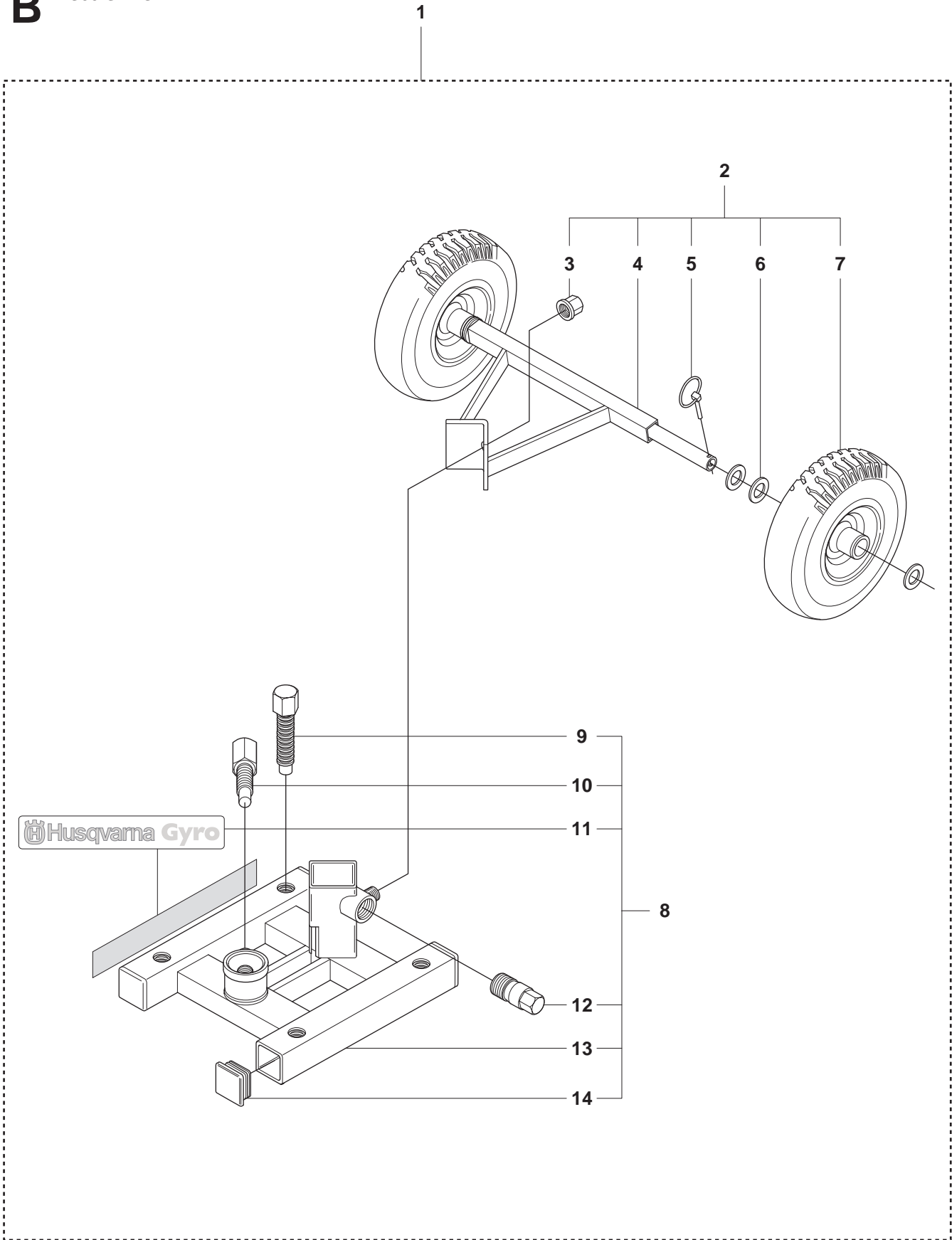
1



Page A
DS50 GYRO

| Pos. | Part No. | Description | Quantity | Notes |
|-------------|-----------------|------------------------|-----------------|-----------------------|
| 1 | 506 40 83-05 | EXPANDABLE COLUMN ASSY | 1 | Incl. 2, 7, 8, 15, 17 |
| 2 | 506 40 82-01 | SLEEVE CPL | 1 | Incl. 3-6 |
| 3 | 531 14 07-53 | STOP SLEEVE | 1 | |
| 4 | 531 14 06-05 | PIN | 1 | |
| 5 | 531 14 06-06 | STOP PIN | 1 | |
| 6 | 531 14 06-07 | SCREW | 1 | |
| 7 | 506 40 04-01 | PIPE OUTER | 1 | |
| 8 | 506 40 81-05 | ADJUSTER CPL | 1 | Incl. 9-14 |
| 9 | 506 40 81-07 | ADJUSTER | 1 | |
| 10 | 506 40 14-02 | BOLT KIT | 1 | |
| 11 | 531 14 06-13 | WASHER | 1 | |
| 12 | 531 14 06-16 | FORK | 1 | |
| 13 | 531 14 06-14 | NUT | 1 | |
| 14 | 506 40 14-01 | BOLT KIT | 1 | |
| 15 | 506 40 05-01 | PIPE INNER | 1 | Incl. 16 |
| 16 | 531 14 06-20 | PLUG | 1 | |
| 17 | 504 02 10-02 | DECAL | 1 | |
| 18 | 506 40 84-06 | TOP SUPPORT CPL | 1 | Incl. 19 |
| 19 | 531 14 06-02 | WING SCREW | 1 | |

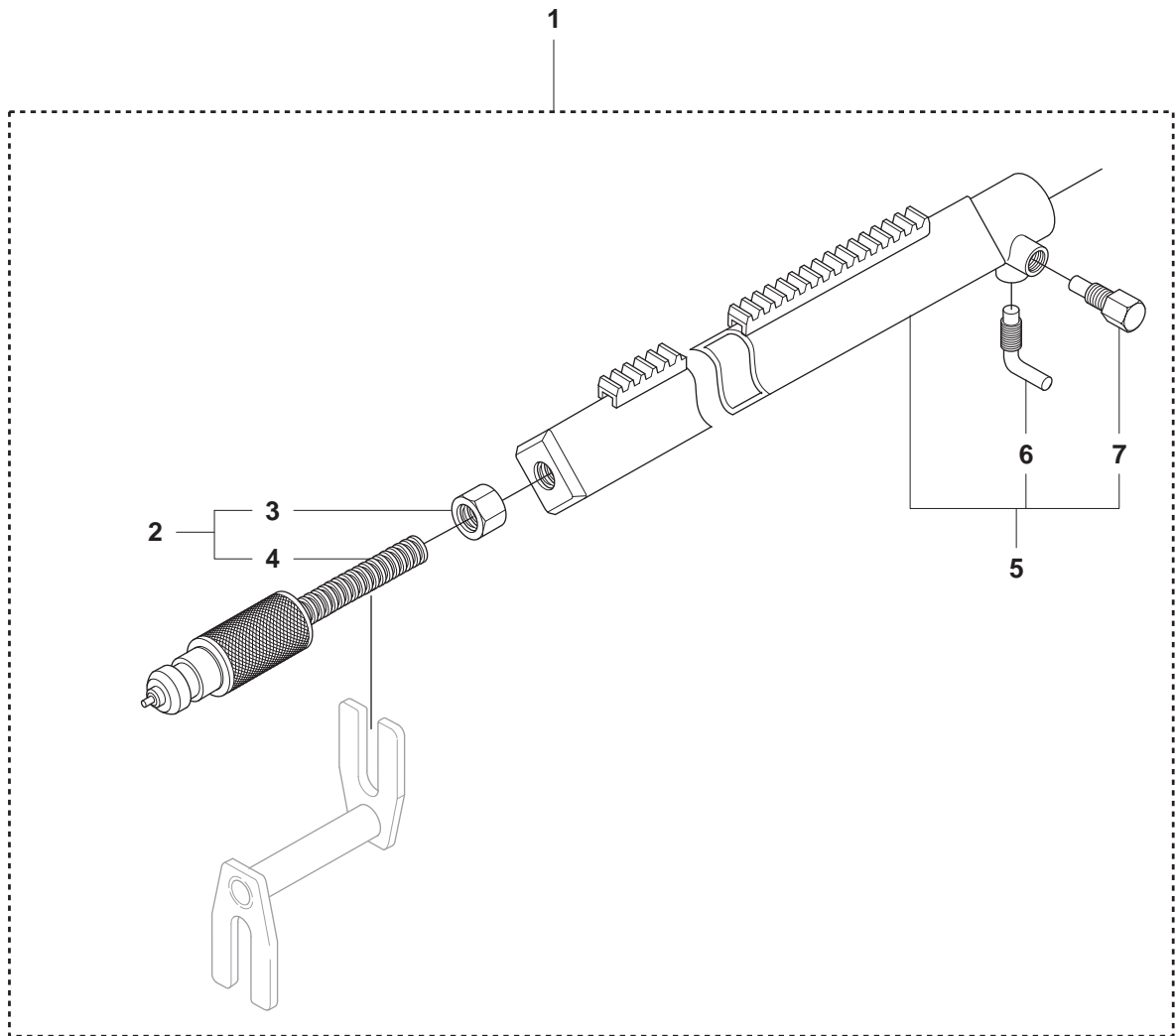
B DS50 GYRO



Page B
DS50 GYRO

| Pos. | Part No. | Description | Quantity | Notes |
|-------------|-----------------|-------------------------|-----------------|--------------|
| 1 | 506 40 80-09 | BASE PLATE 50T ASSY | 1 | Incl. 2, 9 |
| 2 | 506 40 76-08 | SHAFT HOLDER WITH WHEEL | 1 | Incl. 3-7 |
| 3 | 531 14 06-22 | NUT | 1 | |
| 4 | 504 02 06-01 | SHAFT HOLDER | 1 | |
| 5 | 531 14 06-23 | R-CLIP | 2 | |
| 6 | 531 14 06-27 | WASHER | 6 | |
| 7 | 531 14 06-24 | WHEEL | 2 | |
| 8 | 506 40 79-11 | BASE PLATE 50T NO WHEEL | 1 | Incl. 9-14 |
| 9 | 531 14 06-18 | ADJUSTMENT SCREW | 4 | |
| 10 | 531 14 06-19 | SCREW | 1 | |
| 11 | 504 02 10-03 | DECAL | 1 | |
| 12 | 544 06 97-01 | LOCKING SCREW | 1 | |
| 13 | 504 03 04-01 | BASE PLATE 50T | 1 | |
| 14 | 531 14 06-20 | PLUG | 4 | |

C DS50 GYRO

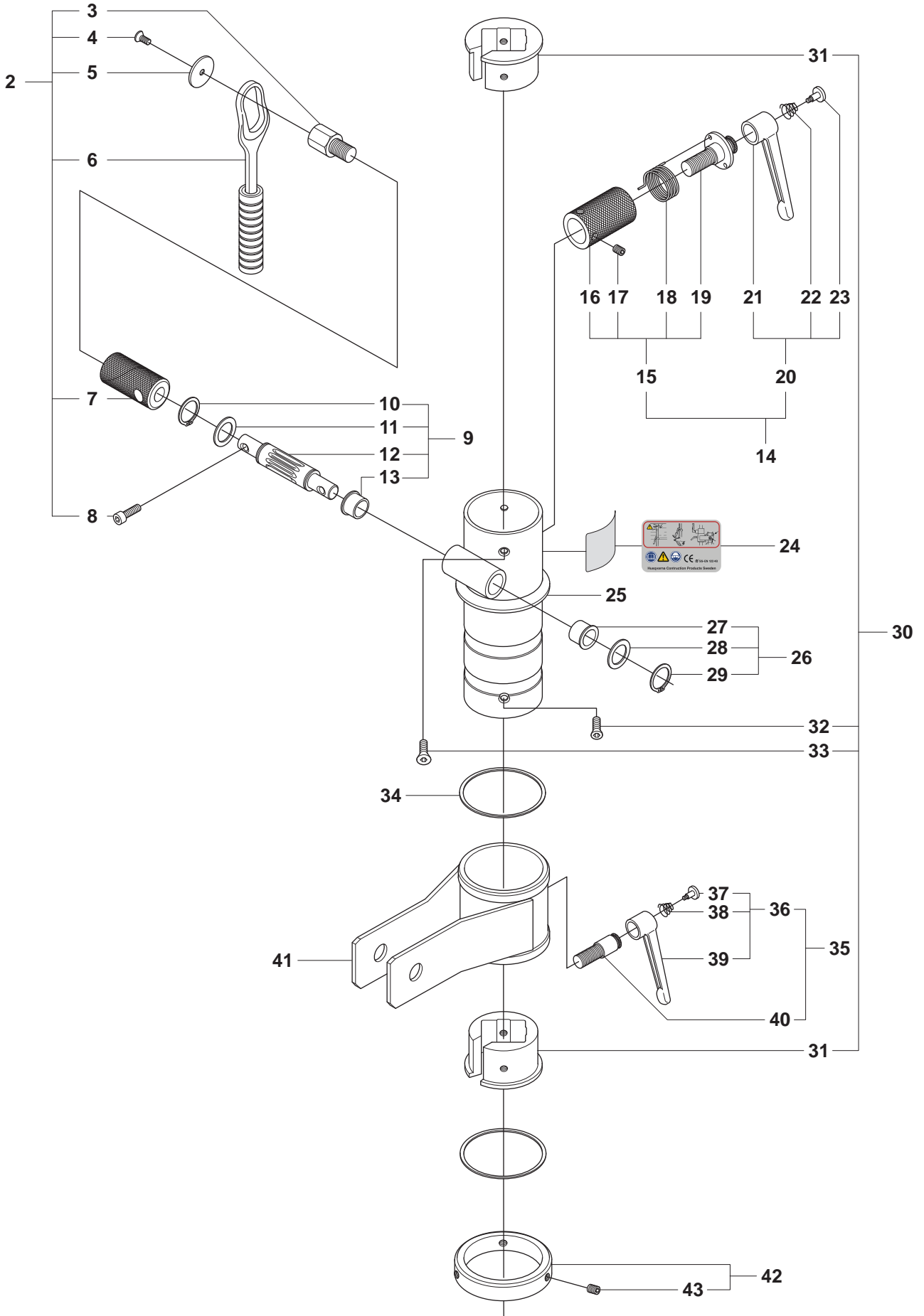


Page C
DS50 GYRO

| Pos. | Part No. | Description | Quantity | Notes |
|-------------|-----------------|----------------------|-----------------|--------------|
| 1 | 506 40 88-04 | DRILL RACK 50 ASSY | 1 | Incl. 2, 5 |
| 2 | 506 40 06-05 | ADJUSTMENT SCREW CPL | 1 | Incl. 3, 4 |
| 3 | 531 14 06-44 | NUT | 1 | |
| 4 | 506 40 06-07 | ADJUSTMENT SCREW | 1 | |
| 5 | 506 40 07-01 | DRILL RACK CPL | 1 | Incl. 6, 7 |
| 6 | 531 14 06-43 | KNOB | 1 | |
| 7 | 531 14 06-19 | SCREW | 1 | |

D DS50 GYRO

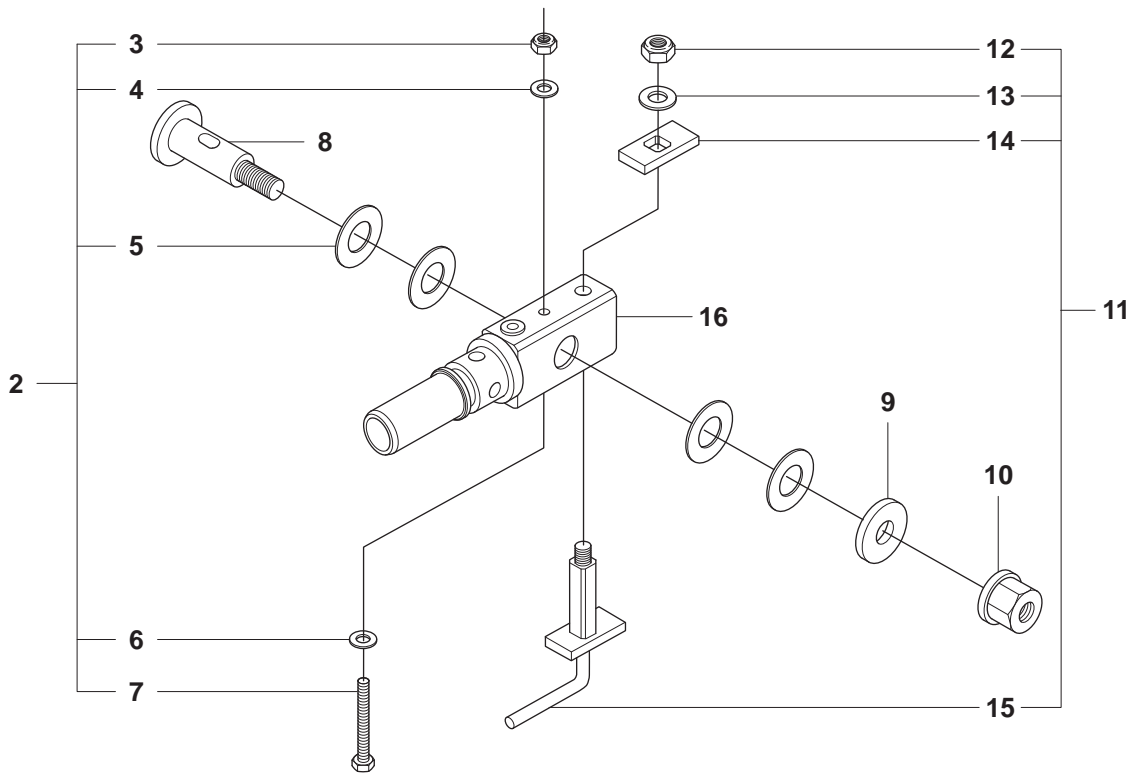
1



Page D
DS50 GYRO

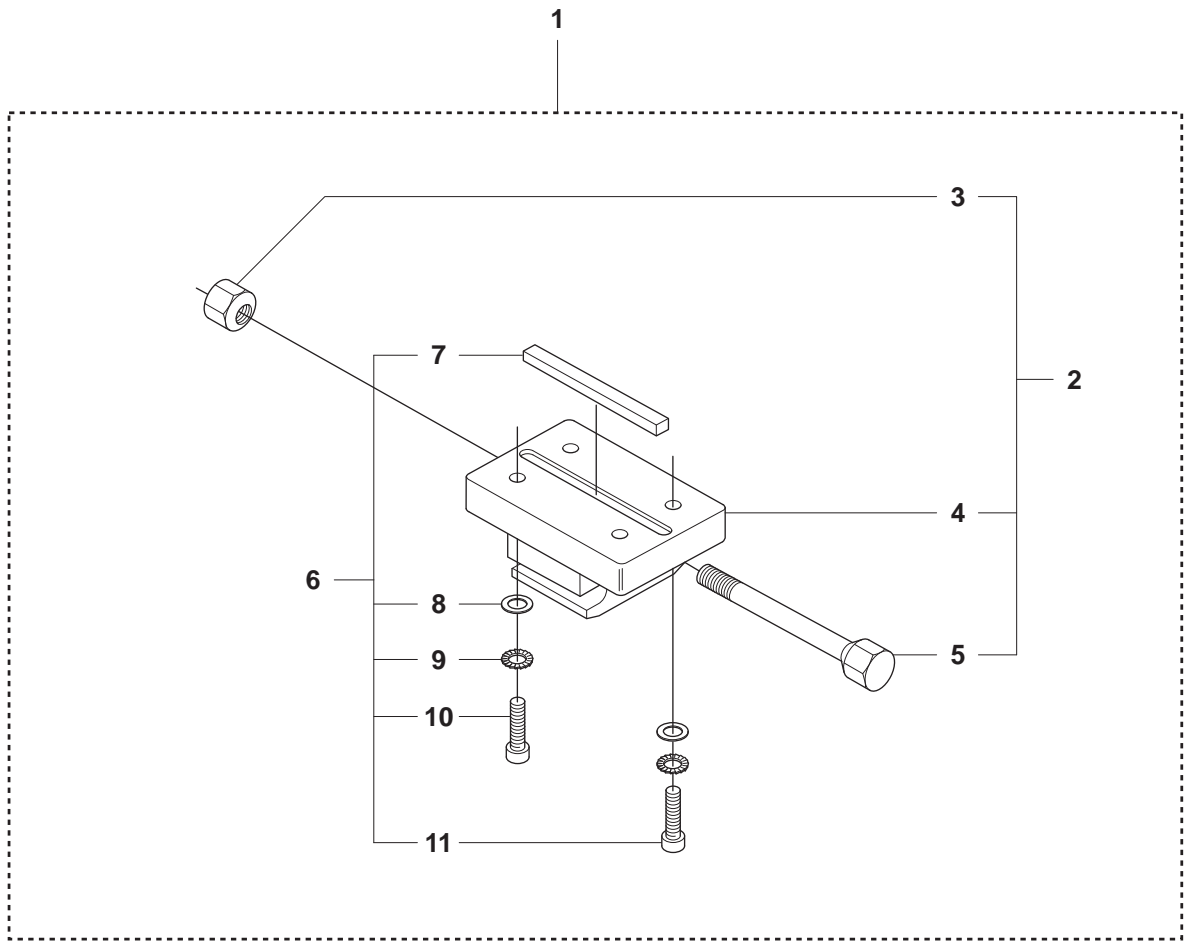
| Pos. | Part No. | Description | Quantity | Notes |
|-------------|-----------------|----------------------|-----------------|---|
| 1 | 506 40 91-04 | GYRO UNIT 50 ASSY | 1 | Incl. 2, 9, 14, 24-26, 30, 35-36, 42-43 |
| 2 | 506 40 77-17 | HANDLE CPL | 1 | Incl. 3-8 |
| 3 | 531 14 06-50 | SCREW | 1 | |
| 4 | 531 14 08-04 | SCREW | 1 | |
| 5 | 531 14 06-49 | WASHER | 1 | |
| 6 | 544 22 27-03 | KEY | 1 | |
| 7 | 504 02 12-01 | SLEEVE | 1 | |
| 8 | 531 14 06-59 | SCREW | 1 | |
| 9 | 506 40 17-01 | SHAFT CPL | 1 | Incl. 10-13 |
| 10 | 531 14 07-66 | WASHER | 2 | |
| 11 | 531 14 07-67 | WASHER | 2 | |
| 12 | 531 14 07-71 | SHAFT | 1 | |
| 13 | 531 14 06-77 | BUSHING | 2 | |
| 14 | 506 40 77-14 | ADJUSTABLE LEVER CPL | 1 | Incl. 15, 20 |
| 15 | 506 40 78-01 | SPRING GRIP CPL | 1 | Incl. 16-19 |
| 16 | 531 14 07-64 | GRIP | 1 | |
| 17 | 531 14 06-57 | SCREW | 2 | |
| 18 | 531 14 06-56 | SPRING | 1 | |
| 19 | 531 14 07-63 | RETAINER SPRING GRIP | 1 | |
| 20 | 501 38 46-04 | HANDLE CPL | 1 | Incl. 21-23 |
| 21 | 504 01 81-02 | HANDLE | 1 | |
| 22 | 501 38 47-02 | SPRING | 1 | |
| 23 | 501 38 60-02 | SCREW | 1 | |
| 24 | 544 12 85-01 | DECAL | 1 | |
| 25 | 531 14 06-60 | SLEEVE INNER | 1 | |
| 26 | 506 40 19-01 | BUSHING KIT | 1 | Incl. 27-29 |
| 27 | 531 14 06-77 | BUSHING | 2 | |
| 28 | 531 14 07-67 | WASHER | 2 | |
| 29 | 531 14 07-66 | WASHER | 2 | |
| 30 | 506 40 89-01 | BUSHING KIT | 1 | Incl. 31-33 |
| 31 | 531 14 06-52 | BUSHING | 2 | |
| 32 | 531 14 06-61 | SCREW | 4 | |
| 33 | 531 14 06-58 | SCREW | 4 | |
| 34 | 531 14 06-62 | WASHER | 2 | |
| 35 | 506 40 77-13 | ADJUSTABLE LEVER CPL | 1 | Incl. 36, 40 |
| 36 | 501 38 46-03 | HANDLE CPL | 1 | Incl. 37-39 |
| 37 | 501 38 60-01 | SCREW | 1 | |
| 38 | 501 38 47-01 | SPRING | 1 | |
| 39 | 504 01 81-01 | HANDLE | 1 | |
| 40 | 544 23 56-02 | SCREW CPL | 1 | |
| 41 | 531 14 06-63 | RETAINER | 1 | |
| 42 | 506 40 18-03 | RETAINING RING | 1 | Incl. 43 |
| 43 | 531 14 06-70 | SCREW | 3 | |

E DS50 GYRO



Page E
DS50 GYRO

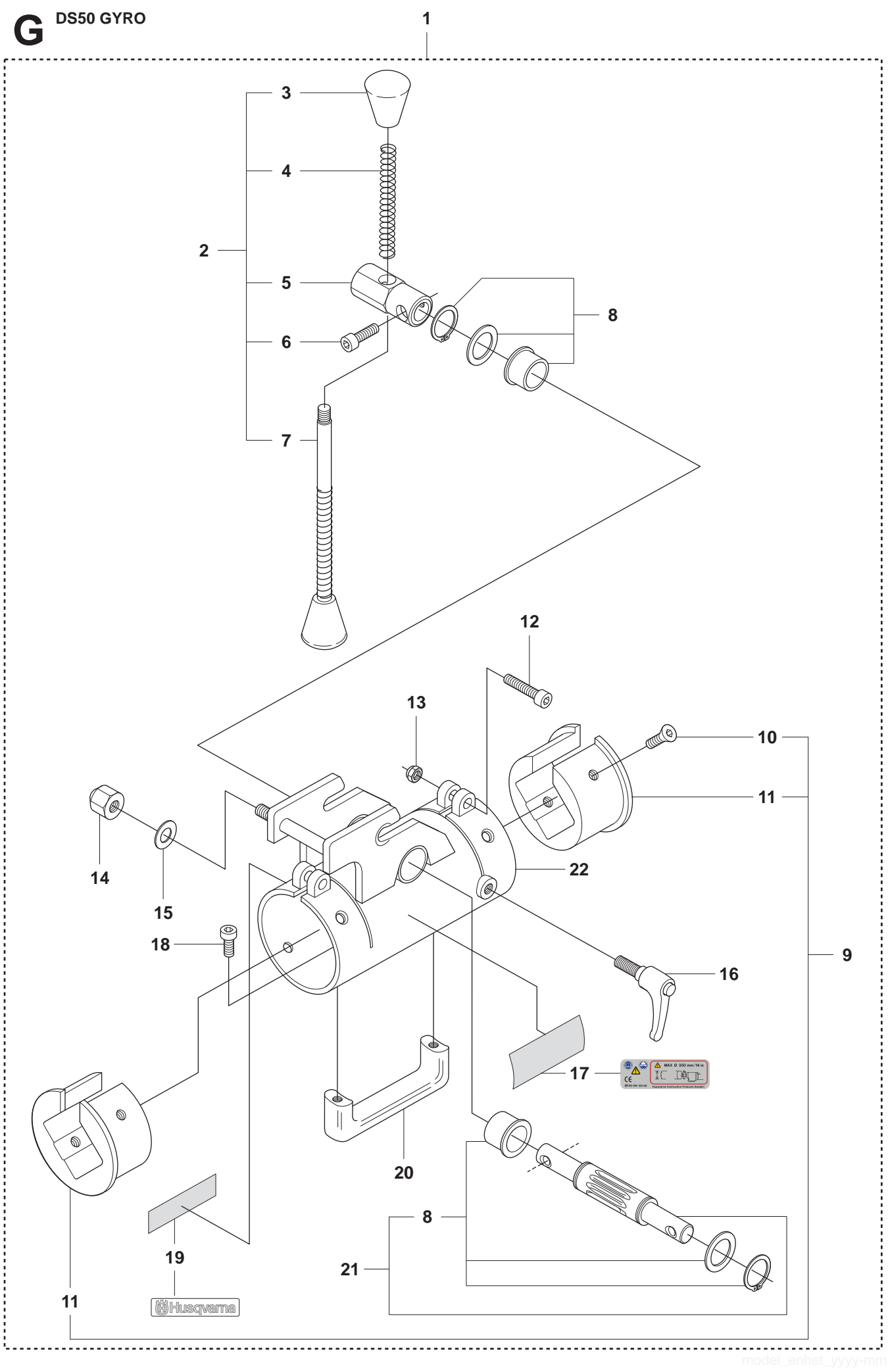
| Pos. | Part No. | Description | Quantity | Notes |
|-------------|-----------------|--------------------|-----------------|--------------------------------|
| 1 | 506 40 91-04 | GYRO UNIT 50 ASSY | 1 | PAGE D Incl. PAGE E Pos. 2, 11 |
| 2 | 506 40 15-01 | SCREW KIT | 1 | Incl. 3-7 |
| 3 | 531 14 06-30 | NUT | 1 | |
| 4 | 531 14 06-38 | WASHER | 1 | |
| 5 | 531 14 06-32 | WASHER | 4 | |
| 6 | 531 14 06-38 | WASHER | 1 | |
| 7 | 501 38 86-01 | SCREW | 1 | |
| 8 | 531 14 06-29 | SHAFT | 1 | |
| 9 | 531 14 06-36 | WASHER | 1 | |
| 10 | 531 14 06-37 | NUT | 1 | |
| 11 | 506 40 16-01 | HANDLE CPL | 1 | Incl. 12-15 |
| 12 | 531 14 06-00 | NUT | 1 | |
| 13 | 531 14 07-22 | WASHER | 1 | |
| 14 | 531 14 06-34 | WASHER | 1 | |
| 15 | 531 14 06-40 | HANDLE | 1 | |
| 16 | 544 34 97-01 | RETAINER | 1 | |



Page F
DS50 GYRO

| Pos. | Part No. | Description | Quantity | Notes |
|-------------|-----------------|---------------------|-----------------|--------------|
| 1 | 506 40 08-03 | MOTOR MOUNT 50 ASSY | 1 | Incl. 2, 6 |
| 2 | 506 40 08-04 | MOTOR MOUNT 50 CPL | 1 | Incl. 3-5 |
| 3 | 531 14 06-83 | NUT | 1 | |
| 4 | 531 14 07-10 | MOTOR MOUNT | 1 | |
| 5 | 531 14 07-11 | SCREW | 1 | |
| 6 | 506 40 08-02 | KEYSET CPL | 1 | Incl. 7-11 |
| 7 | 531 14 06-74 | WEDGE | 1 | |
| 8 | 531 14 07-12 | WASHER | 4 | |
| 9 | 531 14 07-13 | WASHER | 4 | |
| 10 | 531 14 06-81 | SCREW | 4 | |
| 11 | 531 14 07-14 | SCREW | 4 | |

G DS50 GYRO

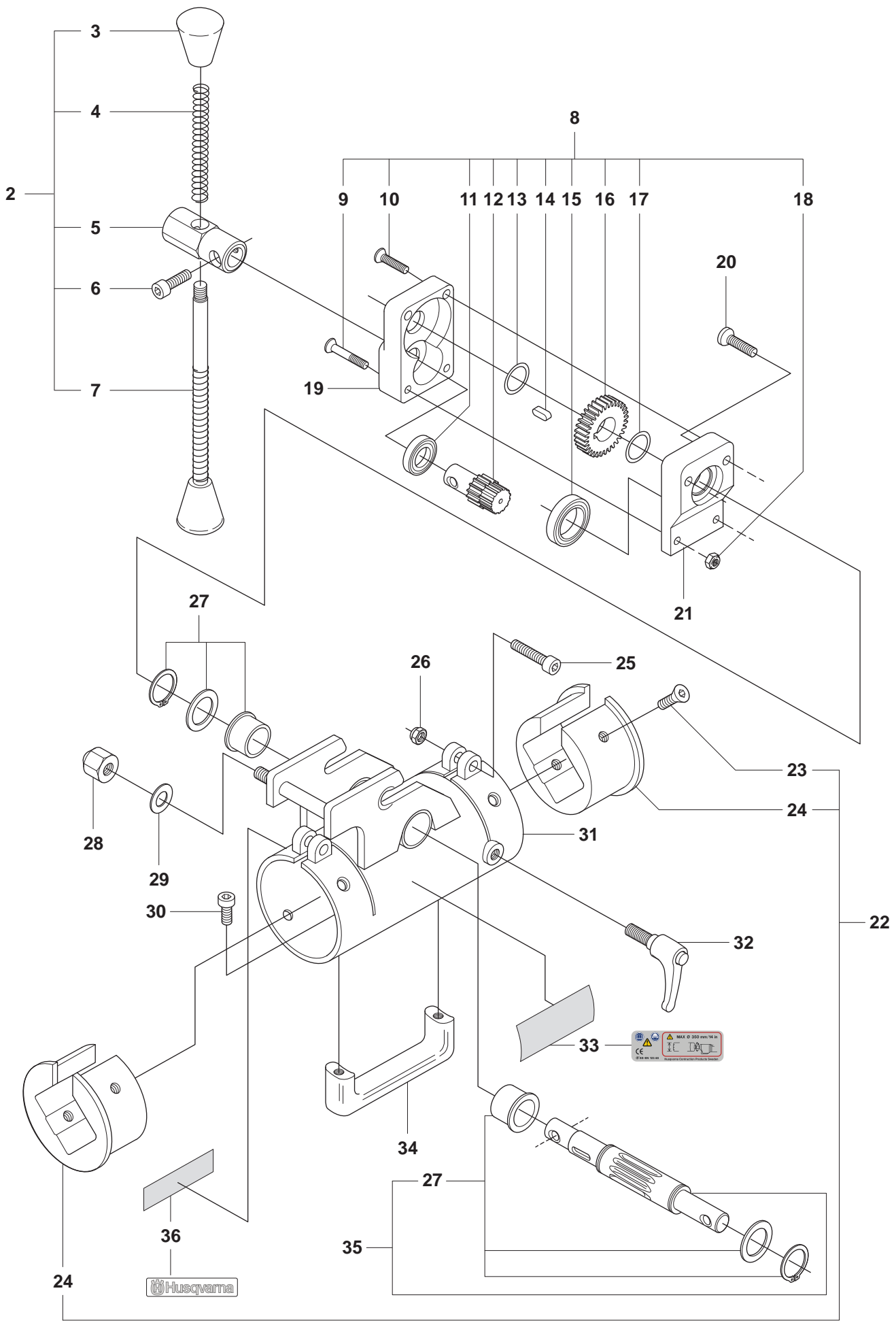


Page G
DS50 GYRO

| Pos. | Part No. | Description | Quantity | Notes |
|-------------|-----------------|--------------------------|-----------------|----------------------|
| 1 | 506 40 90-07 | DRILL CARRIAGE 50X1 ASSY | 1 | Incl. 2, 8, 9, 12-22 |
| 2 | 506 40 20-01 | HANDLE CPL | 1 | Incl. 3-7 |
| 3 | 531 14 06-72 | KNOB | 2 | |
| 4 | 531 14 06-73 | SPRING | 2 | |
| 5 | 531 14 06-84 | SLEEVE | 1 | |
| 6 | 531 14 06-59 | SCREW | 1 | |
| 7 | 531 14 06-82 | HANDLE | 1 | |
| 8 | 506 40 19-01 | BUSHING KIT | 1 | |
| 9 | 506 40 89-02 | BUSHING KIT | 1 | Incl. 10, 11 |
| 10 | 531 14 06-58 | SCREW | 8 | |
| 11 | 531 14 08-82 | BUSHING | 2 | |
| 12 | 531 14 06-86 | SCREW | 2 | |
| 13 | 531 14 06-30 | NUT | 2 | |
| 14 | 531 14 06-83 | NUT | 1 | |
| 15 | 531 14 06-11 | WASHER | 1 | |
| 16 | 506 40 77-08 | ADJUSTABLE LEVER CPL | 1 | |
| 17 | 544 12 85-02 | DECAL | 1 | |
| 18 | 531 14 06-85 | SCREW | 2 | |
| 19 | 504 02 10-01 | DECAL | 1 | |
| 20 | 544 21 89-01 | HANDLE | 1 | |
| 21 | 506 40 17-02 | SHAFT CPL | 1 | Incl.8 |
| 22 | 504 02 22-01 | DRILL CARRIAGE 50X1 | 1 | |

H DS50 GYRO

1

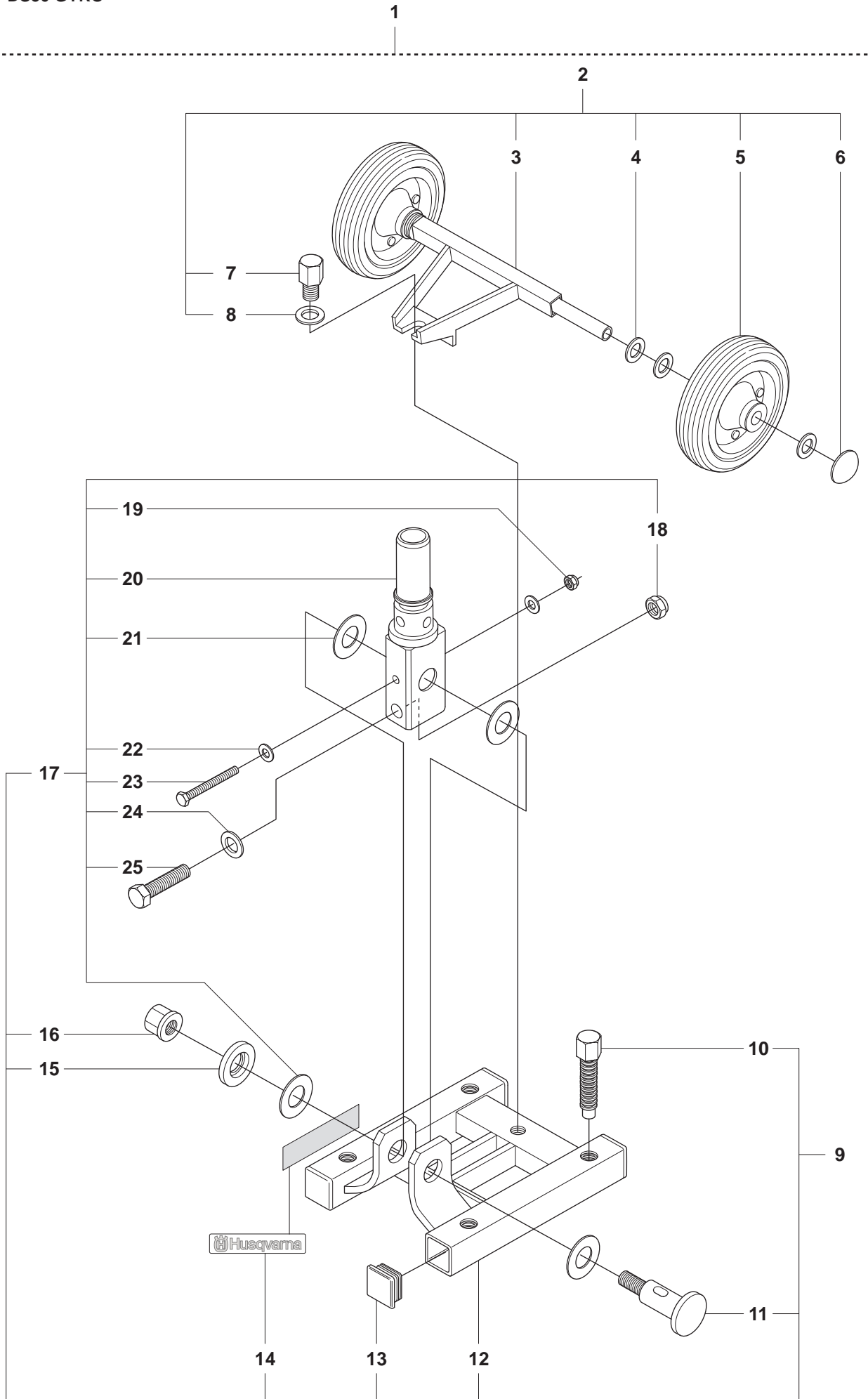


Page H
DS50 GYRO

| Pos. | Part No. | Description | Quantity | Notes |
|-------------|-----------------|--------------------------|-----------------|--------------------------|
| 1 | 506 40 90-08 | DRILL CARRIAGE 50X2 ASSY | 1 | Incl. 2, 8, 19-22, 25-36 |
| 2 | 506 40 20-01 | HANDLE CPL | 1 | Incl. 3-7 |
| 3 | 531 14 06-72 | KNOB | 2 | |
| 4 | 531 14 06-73 | SPRING | 2 | |
| 5 | 531 14 06-84 | SLEEVE | 1 | |
| 6 | 531 14 06-59 | SCREW | 1 | |
| 7 | 531 14 06-82 | HANDLE | 1 | |
| 8 | 506 40 21-01 | GEAR KIT | 1 | Incl. 9-18 |
| 9 | 531 14 06-93 | SCREW | 2 | |
| 10 | 531 14 06-92 | SCREW | 2 | |
| 11 | 531 14 06-97 | BALL BEARING | 1 | |
| 12 | 531 14 06-98 | SHAFT | 1 | |
| 13 | 531 14 06-94 | WASHER | 2 | |
| 14 | 531 14 07-06 | WEDGE | 1 | |
| 15 | 531 14 06-99 | BALL BEARING | 1 | |
| 16 | 531 14 06-96 | GEAR WHEEL | 1 | |
| 17 | 531 14 06-94 | WASHER | 2 | |
| 18 | 531 14 08-46 | NUT | 2 | |
| 19 | 531 14 07-26 | GEAR HOUSING | 1 | |
| 20 | 501 38 89-01 | SCREW | 2 | |
| 21 | 531 14 07-00 | GEAR HOUSING | 1 | |
| 22 | 506 40 89-02 | BUSHING KIT | 1 | Incl. 23, 24 |
| 23 | 531 14 06-58 | SCREW | 8 | |
| 24 | 531 14 08-82 | BUSHING | 2 | |
| 25 | 531 14 06-86 | SCREW | 2 | |
| 26 | 531 14 06-30 | NUT | 2 | |
| 27 | 506 40 19-02 | BUSHING KIT | 1 | |
| 28 | 531 14 06-83 | NUT | 1 | |
| 29 | 531 14 06-11 | WASHER | 1 | |
| 30 | 531 14 06-85 | SCREW | 2 | |
| 31 | 504 02 22-02 | DRILL CARRIAGE 50X2 | 1 | |
| 32 | 506 40 77-08 | KNOB | 1 | |
| 33 | 544 12 85-02 | DECAL | 1 | |
| 34 | 544 21 89-01 | HANDLE | 1 | |
| 35 | 506 40 17-03 | SHAFT CPL | 1 | Incl. 27 |
| 36 | 504 02 10-01 | DECAL | 1 | |

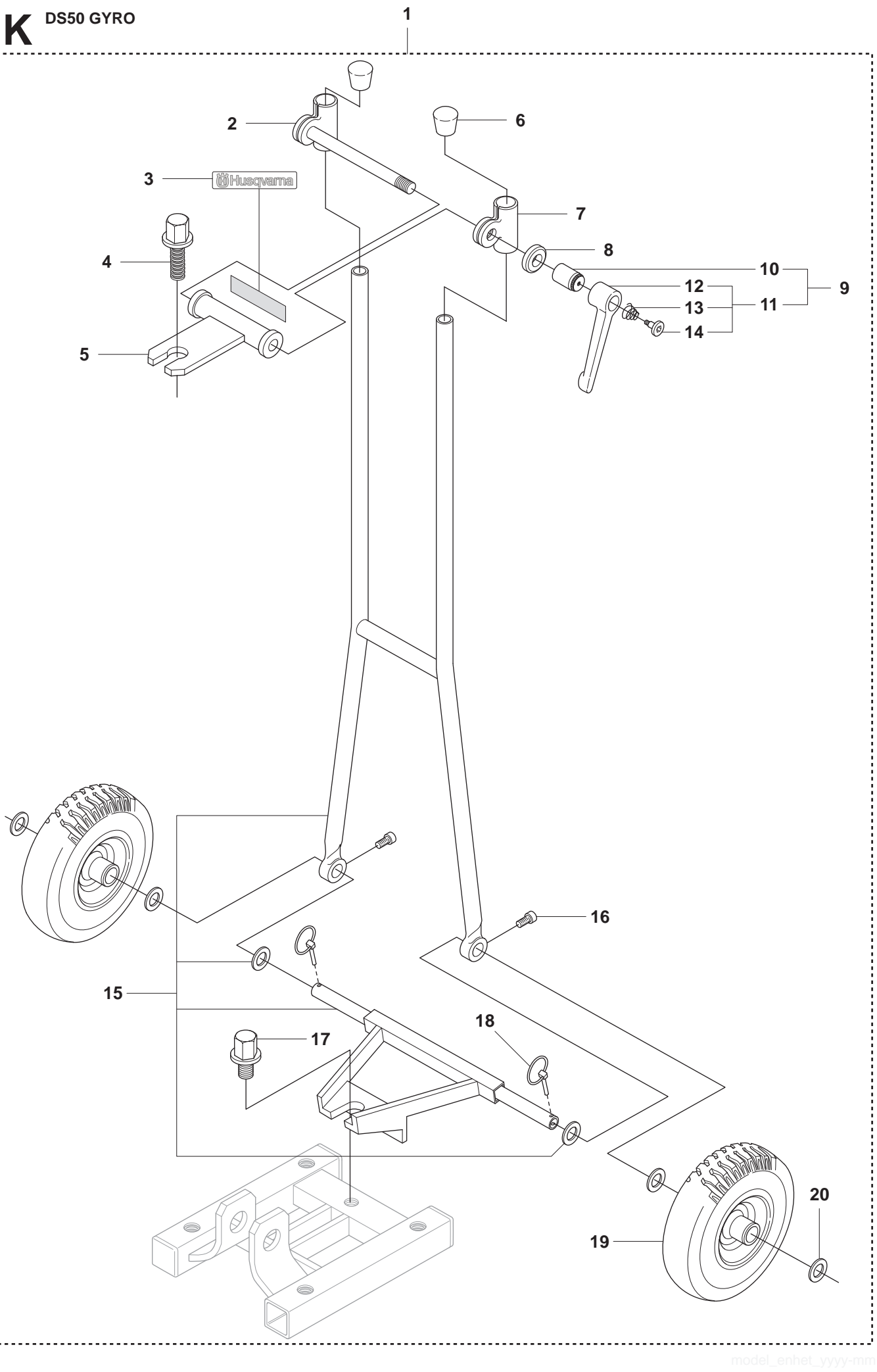
J

DS50 GYRO



Page J**DS50 GYRO**

| Pos. | Part No. | Description | Quantity | Notes |
|-------------|-----------------|--------------------------|-----------------|--------------|
| 1 | 506 40 80-10 | BASE PLATE 50AT ASSY | 1 | Incl. 2, 9 |
| 2 | 506 40 76-09 | SHAFT HOLDER WITH WHEEL | 1 | Incl. 3-8 |
| 3 | 504 02 06-02 | SHAFT HOLDER | 1 | |
| 4 | 531 14 06-27 | WASHER | 6 | |
| 5 | 531 14 07-28 | WHEEL | 2 | |
| 6 | 531 14 07-30 | COVER PLATE | 2 | |
| 7 | 531 14 07-23 | SCREW | 1 | |
| 8 | 531 14 07-22 | WASHER | 1 | |
| 9 | 506 40 79-12 | BASE PLATE 50AT NO WHEEL | 1 | Incl. 10-17 |
| 10 | 531 14 06-18 | ADJUSTMENT SCREW | 4 | |
| 11 | 531 14 07-33 | SHAFT | 1 | |
| 12 | 504 03 04-02 | BASE PLATE 50AT | 1 | |
| 13 | 531 14 06-20 | PLUG | 4 | |
| 14 | 504 02 10-02 | DECAL | 1 | |
| 15 | 531 14 06-36 | WASHER | 1 | |
| 16 | 501 38 90-01 | NUT | 1 | |
| 17 | 506 40 22-01 | RETAINER CPL | 1 | Incl. 18-25 |
| 18 | 531 14 07-57 | NUT | 1 | |
| 19 | 531 14 06-30 | NUT | 1 | |
| 20 | 531 14 07-16 | RETAINER | 1 | |
| 21 | 531 14 06-32 | WASHER | 4 | |
| 22 | 531 14 06-38 | WASHER | 2 | |
| 23 | 531 14 06-39 | SCREW | 1 | |
| 24 | 531 14 07-22 | WASHER | 1 | |
| 25 | 531 14 07-21 | SCREW | 1 | |



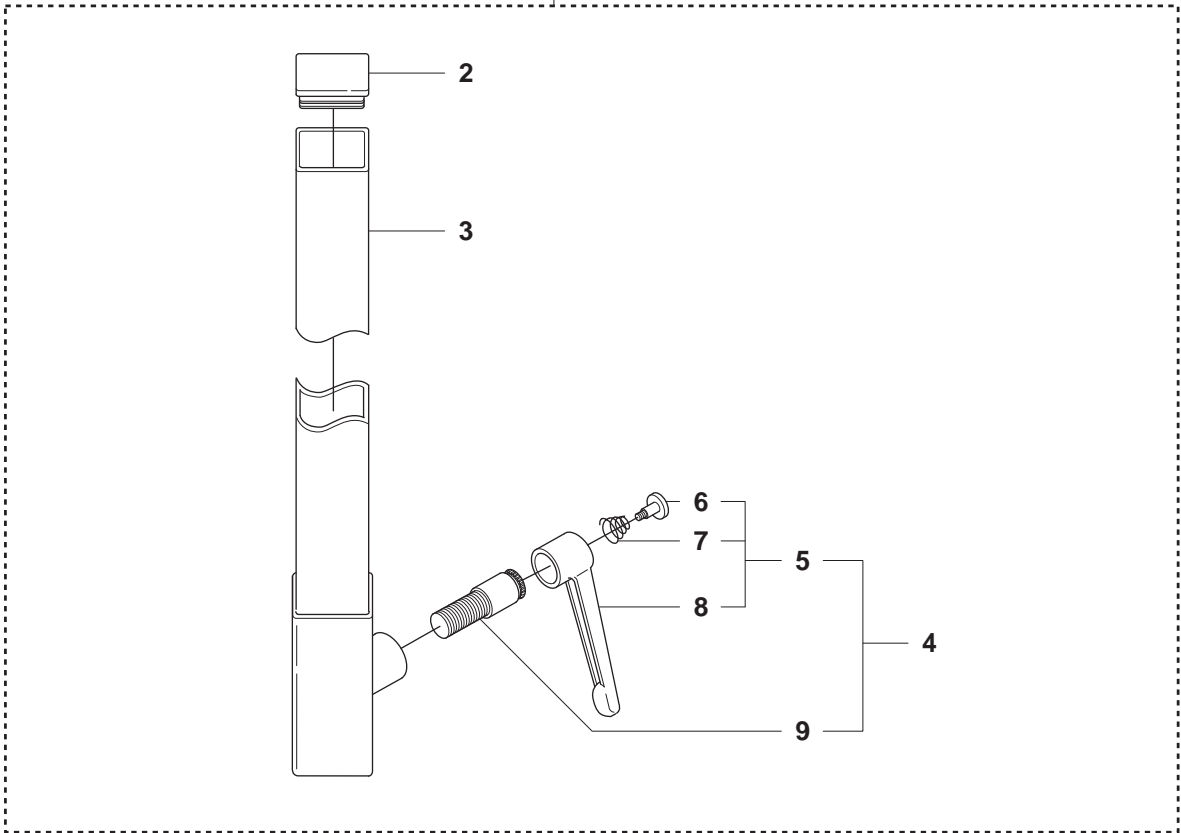
Page K
DS50 GYRO

| Pos. | Part No. | Description | Quantity | Notes |
|-------------|-----------------|----------------------|-----------------|------------------|
| 1 | 506 40 76-10 | STABILIZER ASSY | 1 | Incl. 2-9, 15-20 |
| 2 | 531 14 07-37 | SLEEVE | 1 | |
| 3 | 504 02 10-01 | DECAL | 1 | |
| 4 | 531 14 07-35 | SCREW | 1 | |
| 5 | 504 02 09-01 | FORK | 1 | |
| 6 | 531 14 07-38 | PLUG | 2 | |
| 7 | 531 14 07-39 | SLEEVE | 1 | |
| 8 | 531 14 06-76 | WASHER | 1 | |
| 9 | 506 40 77-15 | ADJUSTABLE LEVER CPL | 1 | Incl. 10, 11 |
| 10 | 531 14 06-75 | SLEEVE | 1 | |
| 11 | 501 38 46-04 | HANDLE CPL | 1 | Incl. 12-14 |
| 12 | 504 01 81-02 | HANDLE | 1 | |
| 13 | 501 38 47-02 | SPRING | 1 | |
| 14 | 501 38 60-02 | SCREW | 1 | |
| 15 | 506 40 76-12 | STABILIZER | 1 | |
| 16 | 531 14 06-79 | SCREW | 2 | |
| 17 | 531 14 07-43 | SCREW | 1 | |
| 18 | 531 14 06-23 | R-CLIP | 2 | |
| 19 | 531 14 06-24 | WHEEL | 2 | |
| 20 | 531 14 06-27 | WASHER | 6 | |

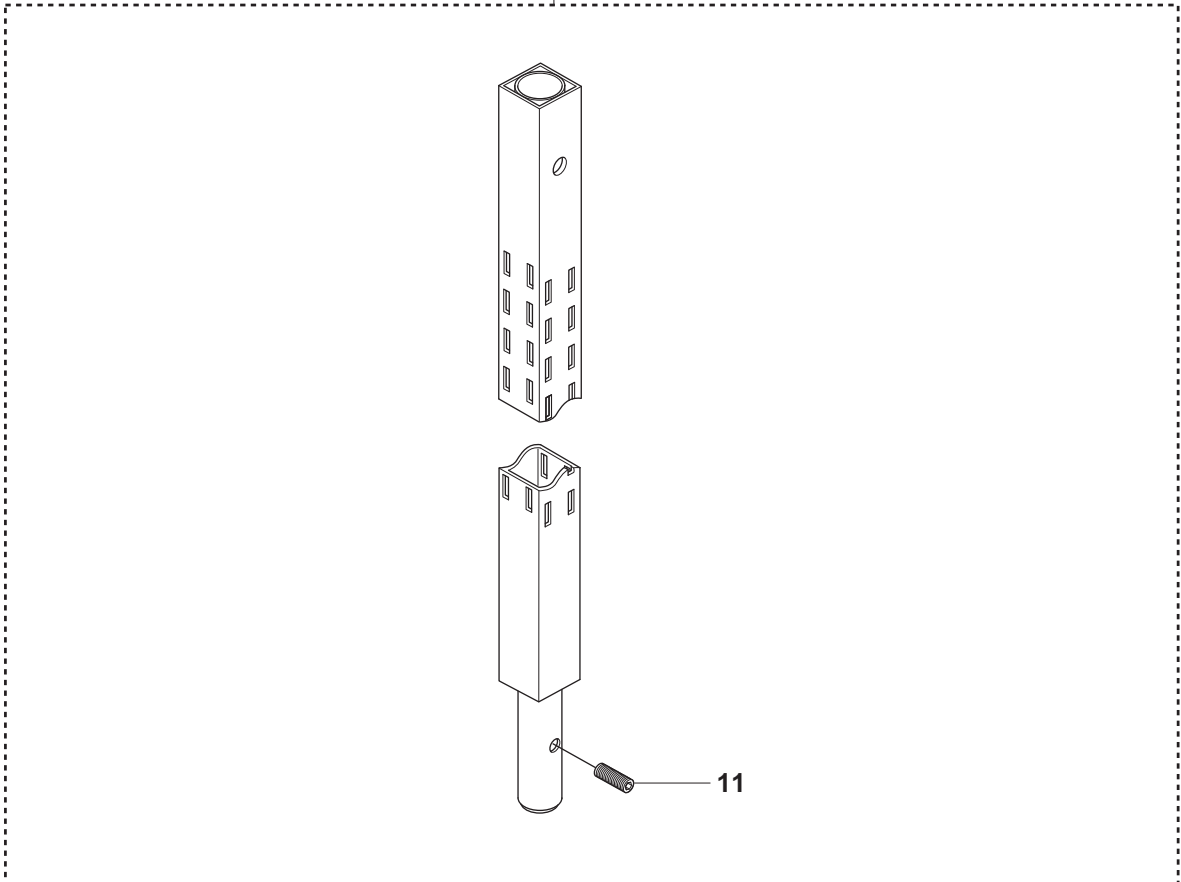


DS50 GYRO

1



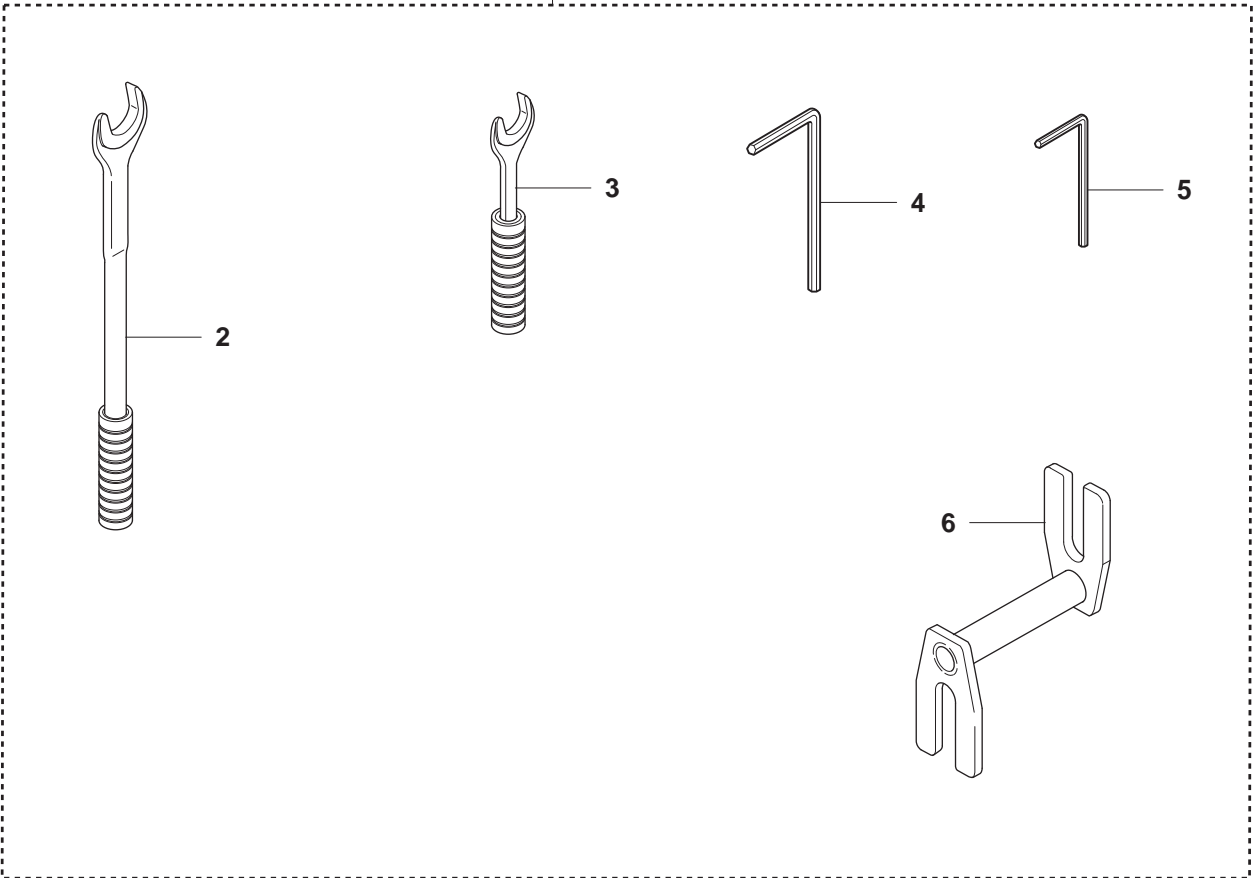
10



Page L
DS50 GYRO

| Pos. | Part No. | Description | Quantity | Notes |
|-------------|-----------------|----------------------|-----------------|---------------|
| 1 | 506 40 85-05 | EXT. POLE OUTER ASSY | 1 | Incl. 2, 3, 4 |
| 2 | 531 14 06-64 | PLUG | 1 | |
| 3 | 531 14 07-48 | EXT. POLE OUTER | 1 | |
| 4 | 506 40 77-16 | ADJUSTABLE LEVER CPL | 1 | Incl. 5, 9 |
| 5 | 501 38 46-04 | ADJUSTABLE LEVER | 1 | Incl. 6-8 |
| 6 | 501 38 60-02 | SCREW | 1 | |
| 7 | 501 38 47-02 | SPRING | 1 | |
| 8 | 504 01 81-02 | HANDLE | 1 | |
| 9 | 544 23 56-01 | SCREW CPL | 1 | |
| 10 | 506 40 05-03 | EXT. POLE INNER ASSY | 1 | Incl. 11 |
| 11 | 531 14 06-07 | SCREW | 1 | |

1



Page M
DS50 GYRO

| Pos. | Part No. | Description | Quantity | Notes |
|-------------|-----------------|--------------------|-----------------|--------------|
| 1 | 506 40 86-01 | TOOL KIT | 1 | Incl. 2-6 |
| 2 | 544 22 27-01 | SPANNER 30MM | 1 | |
| 3 | 544 22 27-02 | SPANNER 24MM | 1 | |
| 4 | 531 14 07-62 | L ALLEN KEY 8MM | 1 | |
| 5 | 544 27 98-01 | L ALLEN KEY 6MM | 1 | |
| 6 | 531 14 06-46 | ANCHOR BOLT HOLDER | 1 | |