

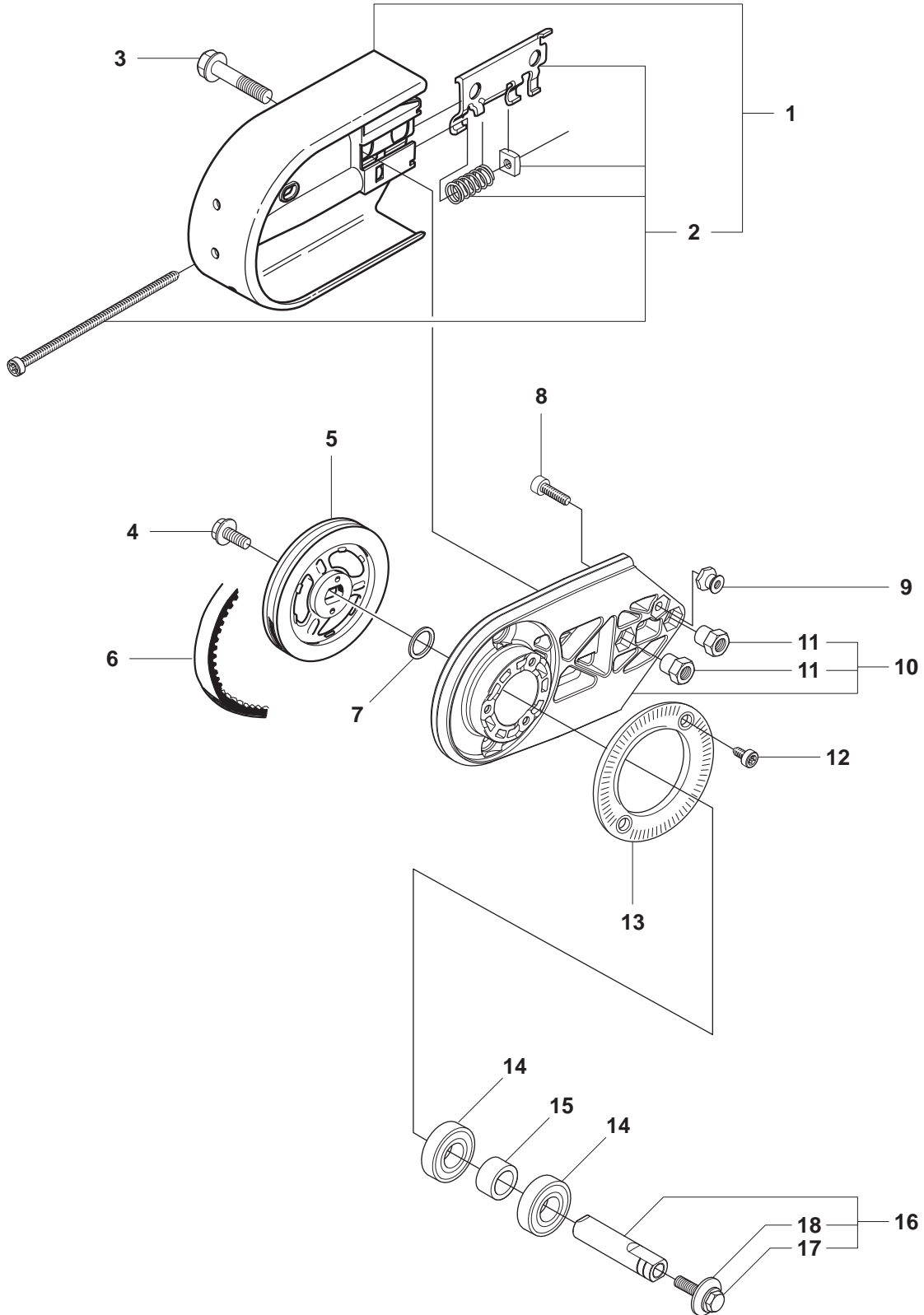
K1250 K1250 RAIL

Reservdelar
Spare parts
Ersatzteile
Pieces de rechange
Piezas de repuesto
Ricambi
Peças sobresselente

| No. | Pos. | Description | No. | Pos. | Description |
|--------------|------|----------------------|--------------|------|----------------------|
| 506 27 92-02 | A | BELT GUARD | 503 21 45-16 | H | SCREW |
| 501 26 97-04 | D | VIB.INSULATOR | 503 21 60-25 | E | SCREW |
| 501 27 08-01 | D | GUIDE BUSHING | 503 21 64-01 | E | SCREW |
| 501 46 75-01 | N | GASKET-METERING DIAP | 503 21 75-65 | M | SCREW |
| 501 46 84-01 | N | SPRING-CHOKE FRICT. | 503 21 90-08 | K | SCREW |
| 501 46 85-01 | N | BALL-CHOKE FRICTION | 503 22 00-01 | CD | NUT FLANGE |
| 501 48 54-02 | K | SPARK PLUG CAP | 503 22 10-03 | K | NUT |
| 501 63 48-01 | K | SPRING | 503 22 20-07 | E | LOCK NUT |
| 501 66 61-01 | N | SCREEN-INLET | 503 22 65-04 | G | NUT |
| 501 67 32-03 | K | PAWL | 503 22 66-01 | R | NUT |
| 501 69 17-02 | P | COMBINATION TOOL | 503 23 00-05 | E | WASHER STEEL |
| 501 69 28-01 | N | COVER-METERING DIAPH | 503 23 00-42 | K | WASHER STEEL |
| 501 76 83-04 | H | FUEL HOSE | 503 23 01-04 | A | WASHER STEEL |
| 501 81 47-01 | H | ANTIVIBRATIONS ELEME | 503 23 43-02 | J | WASHER |
| 501 81 57-01 | D | BAR BOLT | 503 23 51-09 | E | SPARK PLUG |
| 501 81 99-01 | K | SCREW | 503 25 00-02 | DF | BALL BEARING |
| 501 83 98-03 | K | CABLE | 503 25 21-01 | AR | BALL BEARING |
| 501 89 25-72 | D | CRANKCASE | 503 25 38-01 | C | NEEDLE BEARING |
| 501 89 41-03 | E | PISTON CPL | 503 26 02-05 | DEMP | SEALING RING |
| 501 89 50-03 | K | FLYWHEEL ASSY | 503 26 30-21 | Q | O-RING |
| 501 89 59-02 | J | AIR CONDUCTOR | 503 26 60-02 | GQ | COUPLER |
| 501 89 59-03 | J | AIR CONDUCTOR | 503 28 12-17 | MN | CARBURETTOR |
| 501 89 67-01 | J | STARTER PULLEY | 503 28 90-26 | E | PISTON RING |
| 502 10 31-01 | N | BUSHING-THROTT.SPR. | 503 52 58-01 | N | VALVE CHOKE |
| 503 11 72-01 | N | GASKET-PUMP | 503 52 59-01 | N | SPRING THROTT RETURN |
| 503 11 73-01 | N | DIAPHRAGM-PUMP | 503 52 60-01 | N | PIN THROTTLE STOP |
| 503 11 75-01 | N | SCREW-PUMP COVER | 503 56 34-01 | N | VALVE INLET NEEDLE |
| 503 12 79-01 | J | STARTER HANDLE | 503 56 45-01 | N | SEAL-THROTTLE SHAFT |
| 503 13 00-04 | E | MUFFLER | 503 57 42-01 | N | PLUG-WELCH |
| 503 13 13-04 | DEMP | GASKET MUFFLER | 503 57 76-02 | H | FUEL HOSE |
| 503 13 16-01 | H | THROTTLE LOCKOUT | 503 57 89-01 | H | HOLDER |
| 503 13 18-01 | H | SPRING | 503 59 55-01 | N | O-RING |
| 503 13 20-01 | D | GROMMET | 503 59 56-01 | N | LEVER THROTTLE |
| 503 13 24-01 | K | CABLE GROMMET | 503 59 57-01 | N | LEVER THROTTLE INNER |
| 503 13 25-01 | H | AV-ELEMENT | 503 59 58-01 | N | COVER-PUMP |
| 503 13 26-01 | H | AV-ELEMENT | 503 59 59-01 | N | SHAFT ASS'Y THROTTLE |
| 503 13 27-01 | H | AV-ELEMENT | 503 59 65-01 | N | SCREW |
| 503 13 29-01 | EF | SUPPORT BUSHING | 503 59 72-01 | N | WASHER |
| 503 13 36-01 | H | THROTTLE LEVER | 503 59 74-02 | N | GASKET KIT |
| 503 13 45-01 | DEMP | CRANKCASE GASKET | 503 59 84-01 | N | FITTING FUEL INLET |
| 503 13 46-01 | DEMP | GASKET | 503 63 24-01 | N | VALVE THROTTLE |
| 503 13 50-01 | J | RECOIL SPRING ASSY | 503 63 28-01 | N | DIAPHRAGM ASSY METER |
| 503 14 05-01 | H | STIFFENING PLATE | 503 63 29-01 | N | SCREW IDLE SPEED |
| 503 14 08-01 | H | BUSHING | 503 63 31-01 | N | SPRING |
| 503 14 20-73 | F | CRANKSHAFT ASSY | 503 63 32-01 | N | NEEDLE IDLE SPEED |
| 503 14 21-06 | H | TANK UNIT ASSY | 503 66 56-01 | E | DECOMPRESSION VALVE |
| 503 14 23-01 | H | THROTTLE CATCH | 503 74 36-01 | J | DISC |
| 503 14 37-01 | M | SEALING | 503 97 66-01 | N | NOZZLE ASSY |
| 503 14 49-01 | C | CLUTCH ASSY | 504 35 72-01 | H | SINTER PLUG |
| 503 14 54-02 | D | GROMMET | 505 31 67-17 | N | SCREW-LEVER PIN |
| 503 14 51-01 | C | CLUTCH SPRING | 505 31 67-23 | N | SPRING-METER.LEVER |
| 503 19 22-01 | N | SCREW PAN HD(M2.5x5) | 505 31 67-31 | N | PIN-METERING LEVER |
| 503 20 00-45 | A | SCREW COLLAR | 505 31 67-34 | N | LEVER-METERING |
| 503 20 02-10 | G | SCREW | 505 31 67-37 | N | SPRING-NEEDLE |
| 503 20 02-12 | DH | SCREW | 505 31 67-48 | N | WASHER |
| 503 20 02-16 | R | SCREW | 506 02 83-01 | N | WASHER |
| 503 20 02-20 | DM | SCREW | 506 02 87-01 | B | FLANGE WASHER |
| 503 20 02-25 | H | SCREW | 506 02 88-30 | B | BUSHING |
| 503 20 02-30 | HL | SCREW | 506 07 08-01 | AR | SPACING SLEEVE |
| 503 20 02-65 | D | SCREW | 506 07 09-01 | B | WASHER |
| 503 20 03-12 | G | SCREW | 506 07 18-02 | A | PULLEY |
| 503 20 07-12 | AR | SCREW | 506 09 56-02 | Q | HOSE CLAMP |
| 503 20 25-20 | K | SCREW | 506 09 58-24 | Q | HOSE |
| 503 20 30-11 | R | SCREW | 506 09 75-02 | Q | HOSE |
| 503 20 34-25 | JL | SCREW | 506 13 95-11 | AB | WASHER |
| 503 20 34-55 | L | SCREW | 506 13 96-01 | AB | COLLAR SCREW |
| 503 21 05-25 | G | SCREW | 506 14 32-01 | A | TORSION STOP |
| 503 21 06-16 | J | SCREW | 506 14 90-01 | G | SUPPORT |
| 503 21 06-19 | Q | SCREW | 506 22 75-01 | R | SLEEVE |
| 503 21 06-32 | G | SCREW | 506 23 18-03 | L | AIR FILTER |

| No. | Pos. | Description | No. | Pos. | Description |
|--------------|------|----------------------|--------------|------|-------------------|
| 506 23 34-01 | H | SUPPORT | 506 34 05-24 | R | WHEEL GUARD ASSY |
| 506 23 70-01 | D | AIR NOZZLE | 506 34 05-26 | R | WHEEL GUARD ASSY |
| 506 24 10-71 | M | INLET PIPE | 506 34 14-01 | E | COOLING PLATE |
| 506 24 13-01 | M | INLET BEND | 506 34 46-02 | BR | HANDLE |
| 506 24 14-02 | D | CUTTER ARM | 506 35 27-01 | Q | PROTECTIVE SPRING |
| 506 25 01-01 | G | GROUND SUPPORT | 506 35 80-01 | S | BRACKET |
| 506 25 02-01 | M | BELLOWS | 506 35 90-01 | S | WIRING |
| 506 25 03-01 | L | INSERT | 506 35 91-01 | S | STOP SWITCH |
| 506 25 04-01 | M | SUPPORT | 506 35 91-02 | S | STOP SWITCH |
| 506 25 43-01 | D | CHOKE CONTROL | 506 35 96-01 | S | SPACING BLOCK |
| 506 25 46-01 | M | CHISEL GUIDE | 506 37 27-07 | A | BELT |
| 506 25 49-01 | C | GEAR WHEEL ASSY | 506 37 27-38 | R | BELT |
| 506 25 49-02 | C | GEAR WHEEL ASSY | 506 37 96-20 | B | BUSHING |
| 506 25 49-03 | C | GEAR WHEEL ASSY | 506 37 96-22 | B | BUSHING |
| 506 25 53-02 | G | HANDLE | 506 37 96-25 | B | BUSHING |
| 506 25 56-02 | L | FILTER COVER | 530 03 50-15 | N | SCREW-VALVE |
| 506 25 57-02 | L | FILTER BOTTOM | 535 03 94-01 | S | CONNECTION PLATE |
| 506 25 58-02 | J | STARTER COVER | 537 00 28-01 | N | RING |
| 506 25 59-03 | H | TANK CAP ASSY | 537 00 29-01 | N | COVER |
| 506 26 35-13 | A | BEARING HOUSING | 537 00 30-01 | N | SHAFT ASS'Y |
| 506 26 41-01 | H | FUEL FILTER | 537 00 31-01 | N | SCREW |
| 506 26 41-11 | H | FUEL FILTER | 537 15 34-01 | N | JET |
| 506 26 63-02 | BR | LINING | 544 00 31-03 | Q | WATER HOSE KIT |
| 506 26 64-01 | B | SCREEN PATTERN FLANG | 544 01 88-01 | K | IGNITION SYSTEM |
| 506 26 65-01 | B | FLANGE | 544 87 35-01 | J | LABEL |
| 506 26 66-03 | AR | BELT TENSIONER ASSY | 544 87 36-01 | CR | LABEL |
| 506 26 68-01 | R | COMPRESSION SPRING | 544 87 38-01 | L | LABEL |
| 506 26 71-01 | B | SUPPORT FLANGE | 544 87 39-01 | L | LABEL |
| 506 26 84-01 | C | SPACING SLEEVE | 544 87 39-02 | L | LABEL |
| 506 26 87-01 | L | PREFILTER | 544 87 44-02 | L | LABEL |
| 506 26 97-02 | D | PLUG | 544 87 44-03 | L | LABEL |
| 506 27 11-01 | H | HOSE CLAMP | 544 87 44-04 | L | LABEL |
| 506 27 17-03 | C | BELT GUARD | 544 87 46-02 | L | LABEL |
| 506 27 43-01 | DEMP | GASKET | 544 88 75-01 | R | BEARING HOUSING |
| 506 27 49-01 | E | EXHAUST DUCT | 544 88 75-02 | R | BEARING HOUSING |
| 506 27 54-02 | L | CYLINDER COVER | 720 12 40-20 | H | PARALLEL PIN |
| 506 27 55-02 | J | STARTER | 720 12 78-06 | H | PIN |
| 506 27 87-01 | E | MUFFLER SUPPORT | 721 42 06-00 | D | PIN |
| 506 27 92-31 | R | BELT GUARD | 725 53 29-55 | AB | SCREW |
| 506 27 92-38 | R | BELT GUARD | 725 53 31-55 | BDR | SCREW |
| 506 28 39-30 | L | SEALING | 725 53 39-55 | DEH | SCREW |
| 506 28 41-11 | B | LABEL | 725 53 70-55 | DG | SCREW |
| 506 28 41-12 | B | LABEL | 729 53 27-71 | S | SCREW |
| 506 28 41-14 | B | LABEL | 729 53 40-01 | E | SCREW |
| 506 28 41-21 | B | LABEL | 735 11 73-50 | K | SPRING WASHER |
| 506 28 41-22 | B | LABEL | 735 88 06-00 | F | WOODRUFF KEY |
| 506 28 41-24 | B | LABEL | 737 44 13-00 | E | CIRCLIP |
| 506 28 44-01 | A | COLLAR SCREW | | | |
| 506 28 59-01 | C | SPACING SLEEVE | | | |
| 506 28 73-01 | A | NUT | | | |
| 506 28 84-01 | AR | SCREEN PATTERN FLANG | | | |
| 506 28 97-01 | M | FLANGE | | | |
| 506 28 98-01 | H | THROTTLE WIRE | | | |
| 506 29 21-01 | H | GASKET | | | |
| 506 29 24-02 | DEMP | GASKET KIT | | | |
| 506 29 39-01 | H | TANK WENT | | | |
| 506 29 42-71 | E | CYLINDER | | | |
| 506 29 56-01 | Q | NIPPLE | | | |
| 506 29 57-02 | Q | NIPPLE | | | |
| 506 29 83-63 | AR | SHAFT | | | |
| 506 29 88-01 | Q | FILTER | | | |
| 506 31 38-01 | M | INSERT | | | |
| 506 31 77-31 | Q | VALVE ASSY | | | |
| 506 31 86-02 | K | STOP SWITCH | | | |
| 506 32 48-01 | B | SUPPORT FLANGE | | | |
| 506 32 87-01 | Q | Y-TUBE | | | |
| 506 32 90-21 | Q | HOSE | | | |
| 506 33 56-25 | J | STARTER CORD | | | |
| 506 34 05-04 | B | WHEEL GUARD ASSY | | | |
| 506 34 05-06 | B | WHEEL GUARD ASSY | | | |

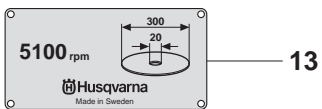
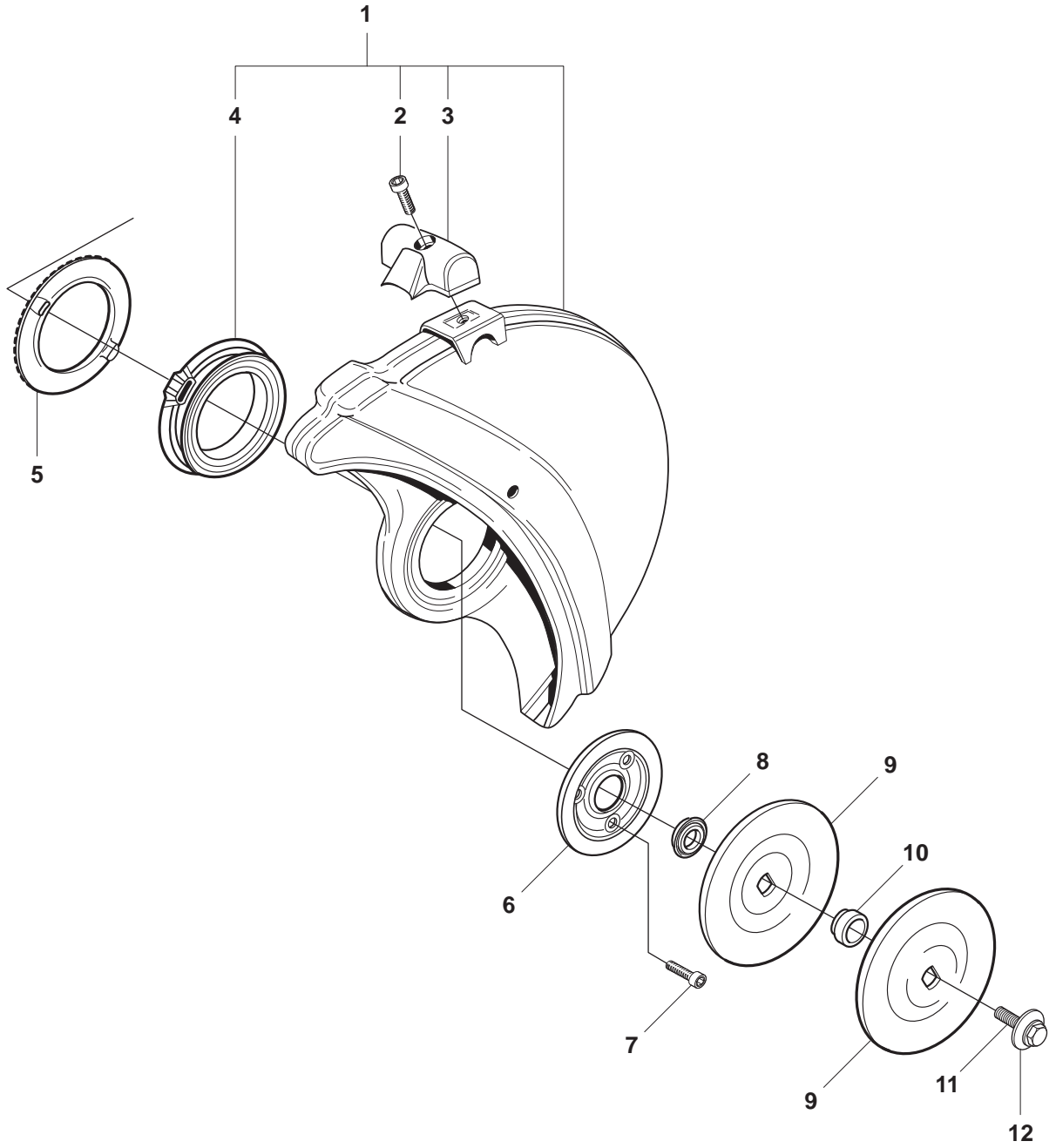
A K1250



Page A
K1250, K1250 Rail

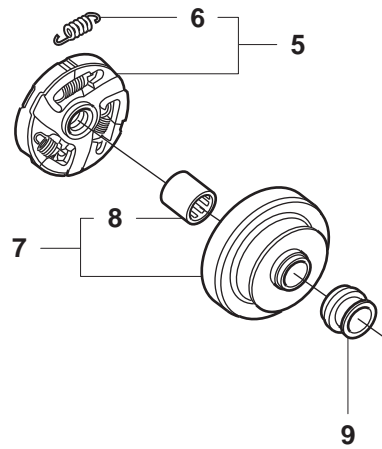
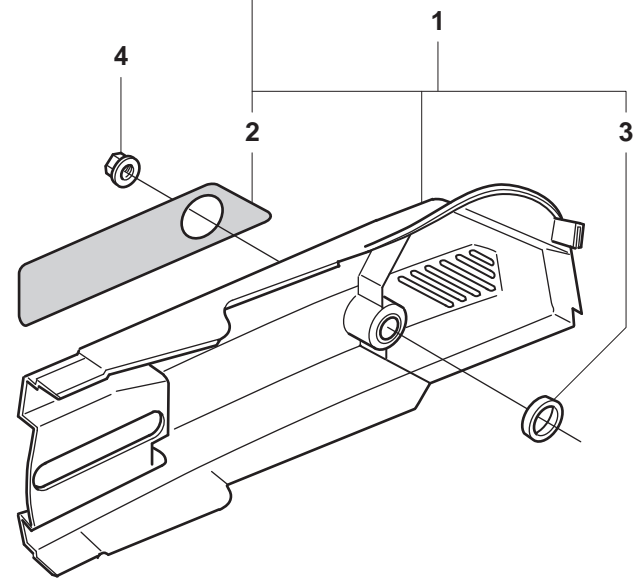
| Pos. | Part No. | Description | Quantity | Notes |
|-------------|-----------------|----------------------|-----------------|--------------|
| 1 | 506 27 92-02 | BELT GUARD | 1 | Incl. 2 |
| 2 | 506 26 66-03 | BELT TENSIONER ASSY | 1 | |
| 3 | 506 28 44-01 | COLLAR SCREW | 2 | |
| 4 | 503 20 00-45 | SCREW COLLAR | 1 | |
| 5 | 506 07 18-02 | PULLEY | 1 | |
| 6 | 506 37 27-07 | BELT | 2 | |
| 7 | 503 23 01-04 | WASHER STEEL | 1 | |
| 8 | 725 53 29-55 | SCREW | 1 | |
| 9 | 506 14 32-01 | TORSION STOP | 1 | |
| 10 | 506 26 35-13 | BEARING HOUSING | 1 | Incl. 11 |
| 11 | 506 28 73-01 | NUT | 2 | |
| 12 | 503 20 07-12 | SCREW | 2 | |
| 13 | 506 28 84-01 | SCREEN PATTERN FLANG | 1 | |
| 14 | 503 25 21-01 | BALL BEARING | 2 | |
| 15 | 506 07 08-01 | SPACING SLEEVE | 1 | |
| 16 | 506 29 83-63 | SHAFT | 1 | Incl. 17, 18 |
| 17 | 506 13 96-01 | COLLAR SCREW | 1 | |
| 18 | 506 13 95-11 | WASHER | 1 | |

B K1250



Page B**K1250, K1250 Rail**

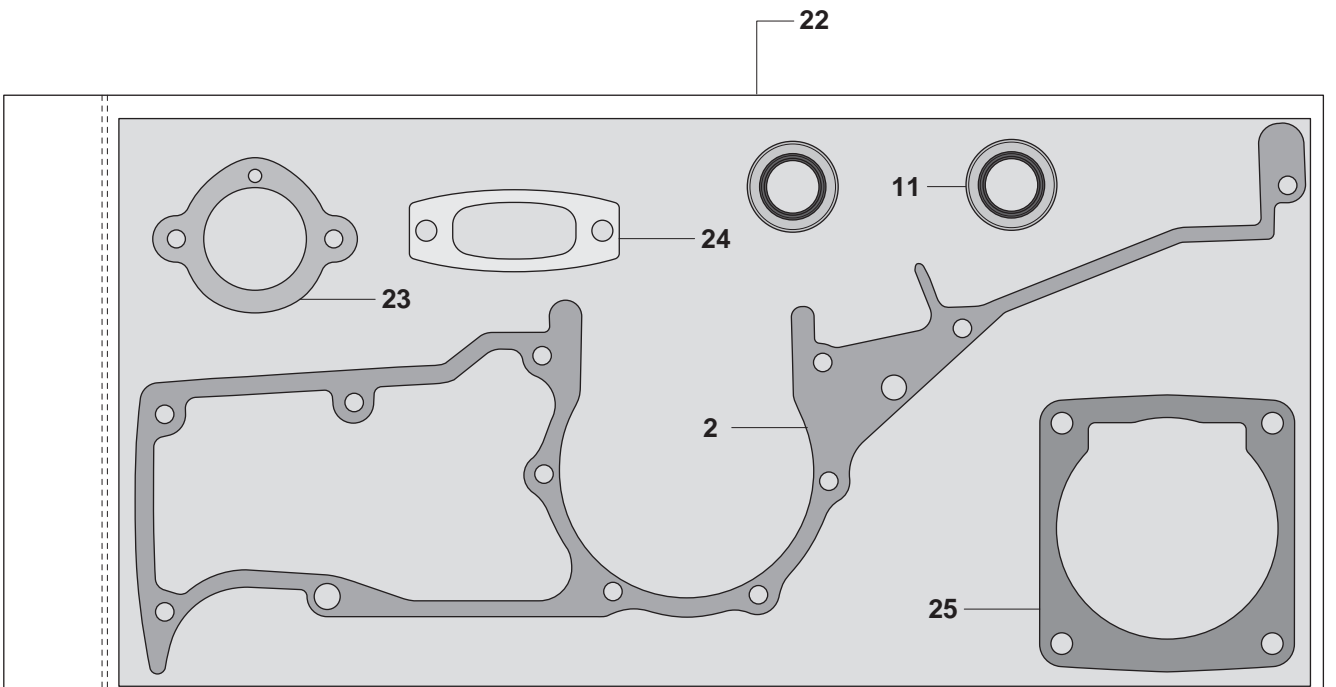
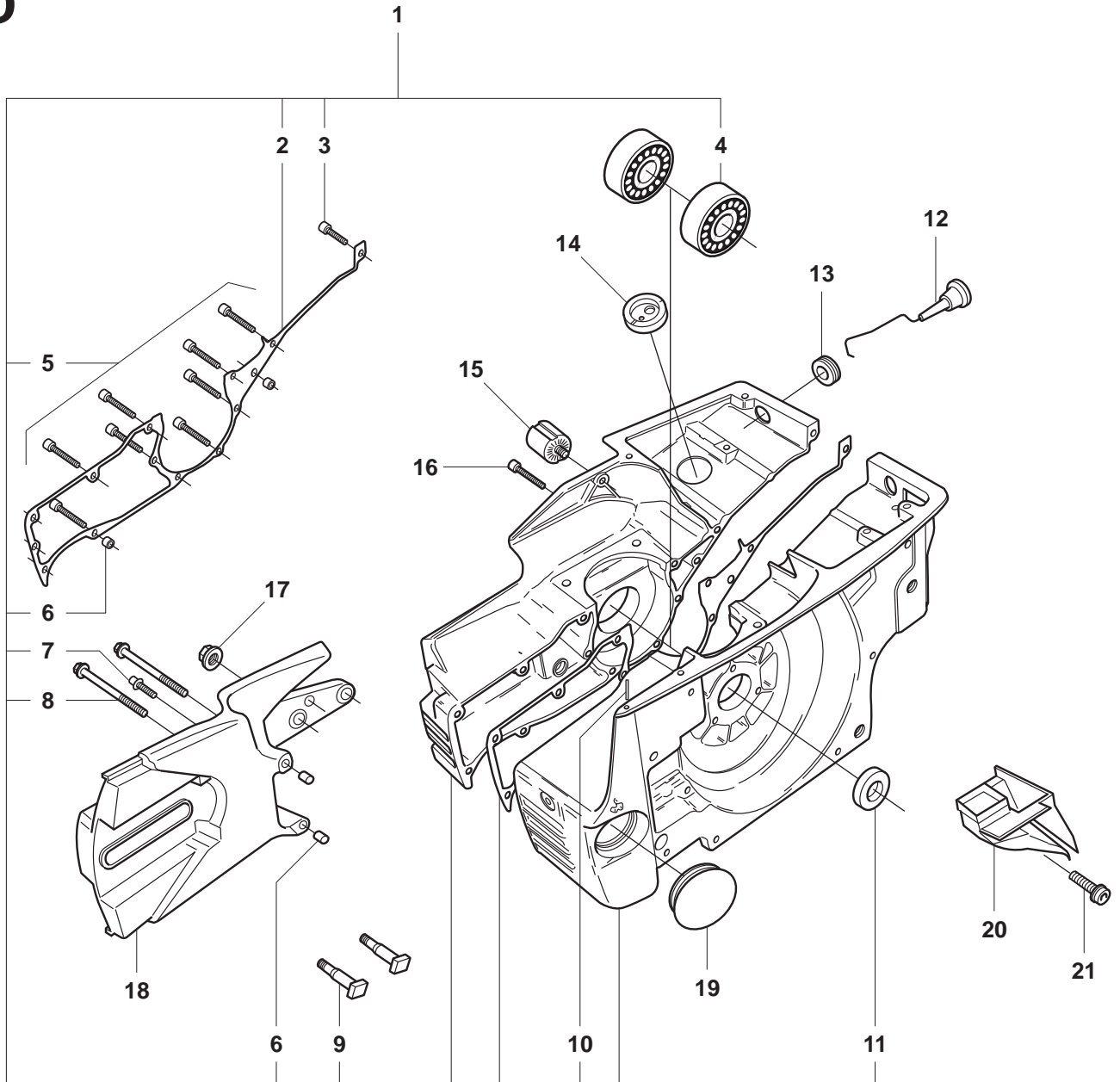
| Pos. | Part No. | Description | Quantity | Notes |
|------|--------------|----------------------|----------|-------------------|
| 1 | 506 34 05-04 | WHEEL GUARD ASSY | 1 | 14" |
| 1 | 506 34 05-06 | WHEEL GUARD ASSY | 1 | 16" |
| 2 | 725 53 31-55 | SCREW | 1 | |
| 3 | 506 34 46-02 | HANDLE | 1 | |
| 4 | 506 26 63-02 | LINING | 1 | |
| 5 | 506 26 64-01 | SCREEN PATTERN FLANG | 1 | |
| 6 | 506 26 65-01 | FLANGE | 1 | |
| 7 | 725 53 29-55 | SCREW | 3 | |
| 8 | 506 32 48-01 | SUPPORT FLANGE | 1 | K1250 A |
| 8 | 506 26 71-01 | SUPPORT FLANGE | 1 | K1250 Rail |
| 9 | 506 02 87-01 | FLANGE WASHER | 1 | Diam 105 mm |
| 9 | 506 07 09-01 | WASHER | 1 | Diam 119 mm |
| 10 | 506 37 96-20 | BUSHING | 1 | Diam 20 mm |
| 10 | 506 37 96-22 | BUSHING | 1 | Diam 22,2 mm |
| 10 | 506 37 96-25 | BUSHING | 1 | Diam 25 mm |
| 10 | 506 02 88-30 | BUSHING | 1 | Diam 30,5 mm |
| 11 | 506 13 95-11 | WASHER | 1 | |
| 12 | 506 13 96-01 | COLLAR SCREW | 1 | |
| 13 | 506 28 41-12 | LABEL | 1 | 14". Diam 20mm |
| 13 | 506 28 41-11 | LABEL | 1 | 14". Diam 22,2 mm |
| 13 | 506 28 41-14 | LABEL | 1 | 14". Diam 25,4mm |
| 13 | 506 28 41-22 | LABEL | 1 | 16". Diam 20mm |
| 13 | 506 28 41-21 | LABEL | 1 | 16". Diam 22,2mm |
| 13 | 506 28 41-24 | LABEL | 1 | 16". Diam 25,4mm |



Page C
K1250, K1250 Rail

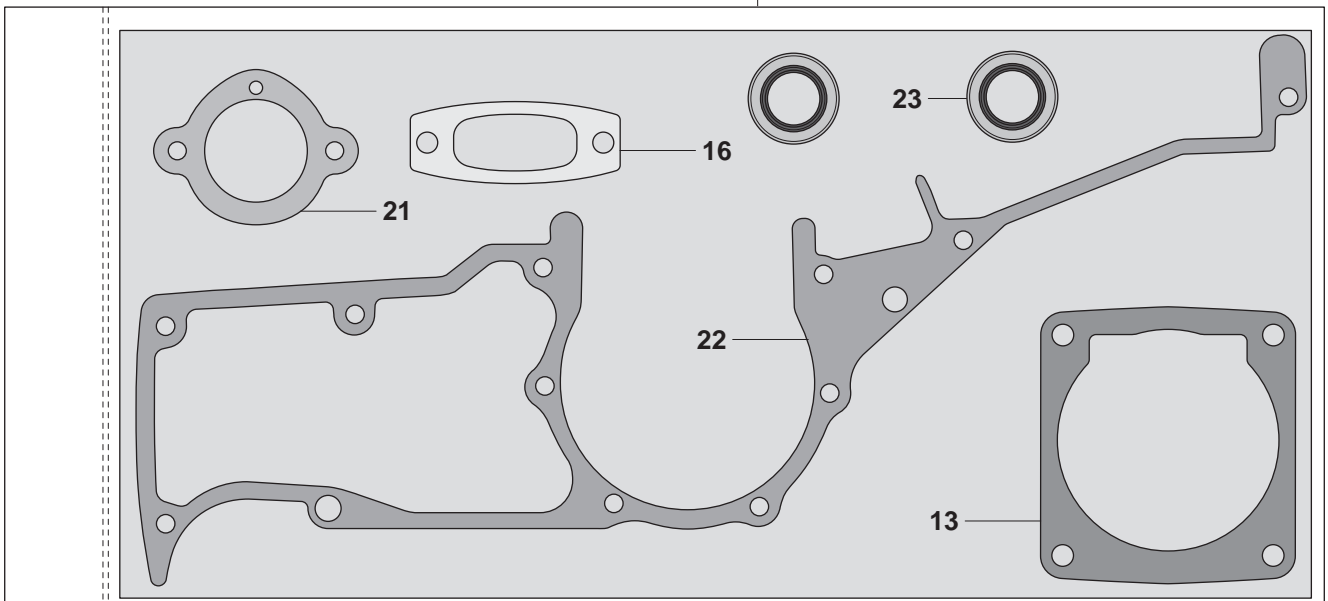
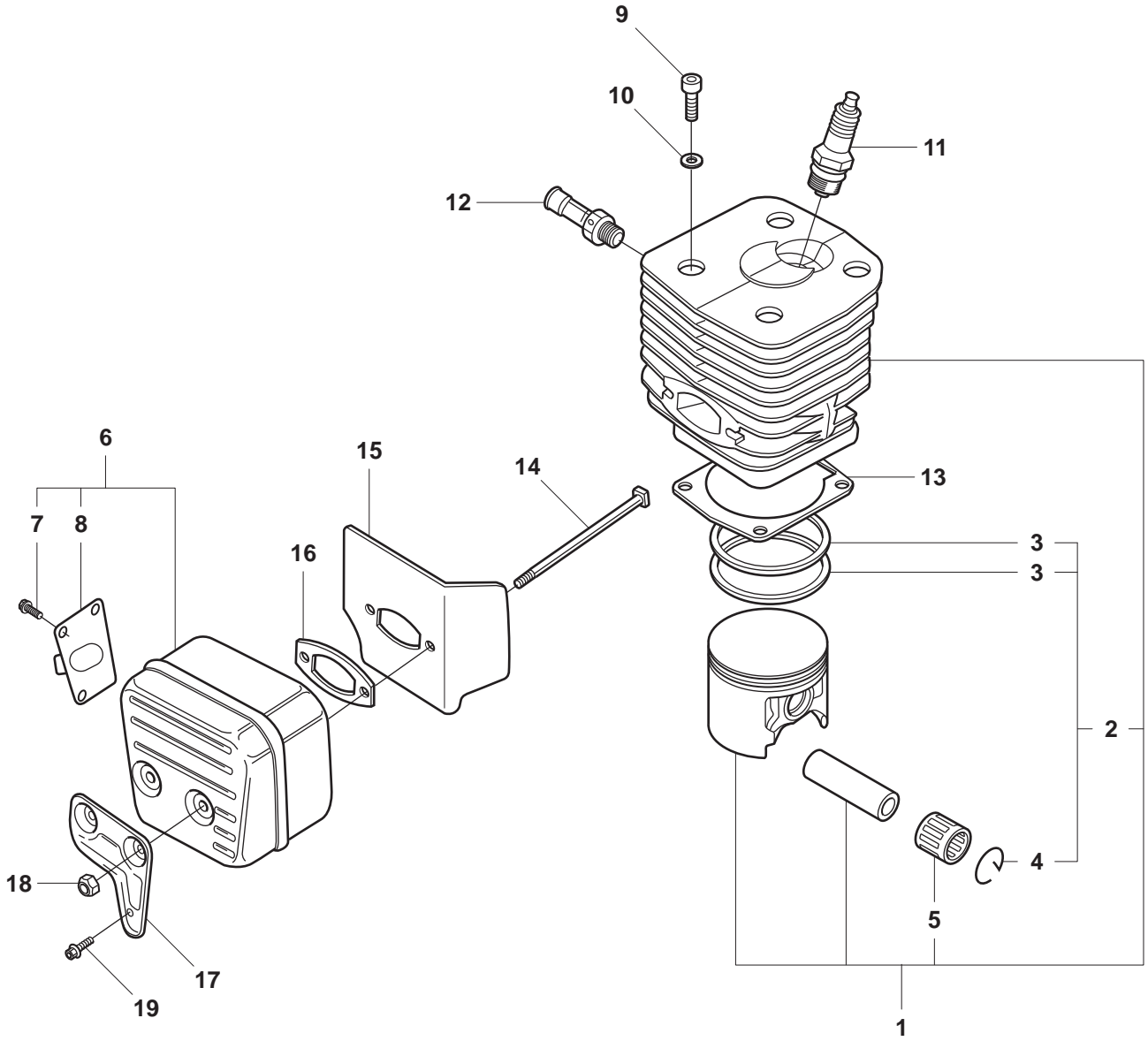
| Pos. | Part No. | Description | Quantity | Notes |
|-------------|-----------------|--------------------|-----------------|-----------------|
| 1 | 506 27 17-03 | BELT GUARD | 1 | Incl. 2, 3 |
| 2 | 544 87 36-01 | LABEL | 1 | |
| 3 | 506 26 84-01 | SPACING SLEEVE | 1 | |
| 4 | 503 22 00-01 | NUT FLANGE | 1 | |
| 5 | 503 14 49-01 | CLUTCH ASSY | 1 | Incl. 6 |
| 6 | 503 14-51-01 | CLUTCH SPRING | 3 | |
| 7 | 506 25 49-03 | GEAR WHEEL ASSY | 1 | 14". Diam. 50mm |
| 7 | 506 25 49-01 | GEAR WHEEL ASSY | 1 | 16". Diam. 41mm |
| 7 | 506 25 49-02 | GEAR WHEEL ASSY | 1 | 16". Diam. 46mm |
| 8 | 503 25 38-01 | NEEDLE BEARING | 1 | |
| 9 | 506 28 59-01 | SPACING SLEEVE | 1 | |

D K1250



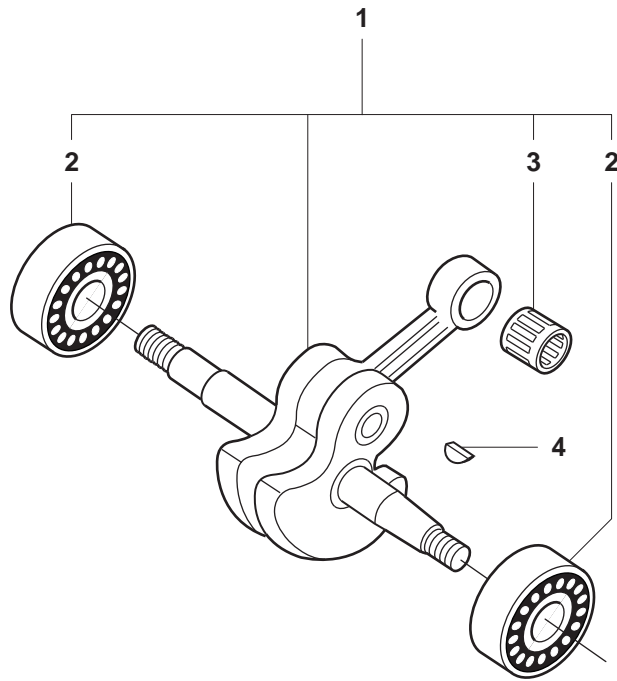
Page D
K1250, K1250 Rail

| Pos. | Part No. | Description | Quantity | Notes |
|------|--------------|------------------|----------|---------------|
| 1 | 501 89 25-72 | CRANKCASE | 1 | Incl. 2-11 |
| 2 | 503 13 45-01 | CRANKCASE GASKET | 1 | Gasket kit 22 |
| 3 | 725 53 31-55 | SCREW | 3 | |
| 4 | 503 25 00-02 | BALL BEARING | 2 | |
| 5 | 725 53 39-55 | SCREW | 9 | |
| 6 | 501 27 08-01 | GUIDE BUSHING | 4 | |
| 7 | 503 20 02-20 | SCREW | 1 | |
| 8 | 503 20 02-65 | SCREW | 2 | |
| 9 | 501 81 57-01 | BAR BOLT | 2 | |
| 10 | 721 42 06-00 | PIN | 1 | |
| 11 | 503 26 02-05 | SEALING RING | 2 | Gasket kit 22 |
| 12 | 506 25 43-01 | CHOKE CONTROL | 1 | |
| 13 | 503 14 54-02 | GROMMET | 1 | |
| 14 | 503 13 20-01 | GROMMET | 1 | |
| 15 | 501 26 97-04 | VIB.INSULATOR | 1 | |
| 16 | 725 53 70-55 | SCREW | 1 | |
| 17 | 503 22 00-01 | NUT FLANGE | 1 | |
| 18 | 506 24 14-02 | CUTTER ARM | 1 | |
| 19 | 506 26 97-02 | PLUG | 1 | |
| 20 | 506 23 70-01 | AIR NOZZLE | 1 | |
| 21 | 503 20 02-12 | SCREW | 1 | |
| 22 | 506 29 24-02 | GASKET KIT | 1 | |
| 23 | 506 27 43-01 | GASKET | 1 | |
| 24 | 503 13 13-04 | GASKET MUFFLER | 1 | |
| 25 | 503 13 46-01 | GASKET | 1 | |



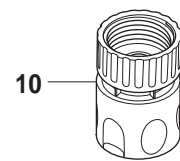
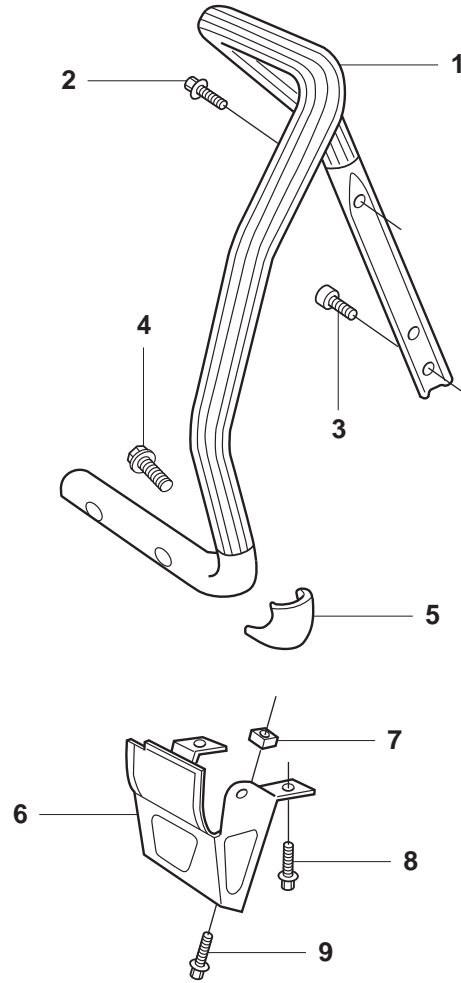
Page E**K1250, K1250 Rail**

| Pos. | Part No. | Description | Quantity | Notes |
|-------------|-----------------|---------------------|-----------------|------------------|
| 1 | 506 29 42-71 | CYLINDER | 1 | Incl. 2, 3, 4, 5 |
| 2 | 501 89 41-03 | PISTON CPL | 1 | Incl. 3, 4, |
| 3 | 503 28 90-26 | PISTON RING | 2 | |
| 4 | 737 44 13-00 | CIRCLIP | 2 | |
| 5 | 503 13 29-01 | SUPPORT BUSHING | 1 | |
| 6 | 503 13 00-04 | MUFFLER | 1 | Incl. 7, 8 |
| 7 | 729 53 40-01 | SCREW | 4 | |
| 8 | 506 27 49-01 | EXHAUST DUCT | 1 | |
| 9 | 503 21 60-25 | SCREW | 4 | |
| 10 | 503 23 00-05 | WASHER STEEL | 4 | |
| 11 | 503 23 51-09 | SPARK PLUG | 1 | RCJ 6Y |
| 12 | 503 66 56-01 | DECOMPRESSION VALVE | 1 | |
| 13 | 503 13 46-01 | GASKET | 1 | Gasket kit 20 |
| 14 | 503 21 64-01 | SCREW | 2 | |
| 15 | 506 34 14-01 | COOLING PLATE | 1 | |
| 16 | 503 13 13-04 | GASKET MUFFLER | 1 | Gasket kit 20 |
| 17 | 506 27 87-01 | MUFFLER SUPPORT | 1 | |
| 18 | 503 22 20-07 | LOCK NUT | 2 | |
| 19 | 725 53 68-55 | SCREW | 1 | |
| 20 | 506 29 24-02 | GASKET KIT | 1 | |
| 21 | 506 27 43-01 | GASKET | 1 | |
| 22 | 503 13 45-01 | CRANKCASE GASKET | 1 | |
| 23 | 503 26 02-05 | SEALING RING | 2 | |



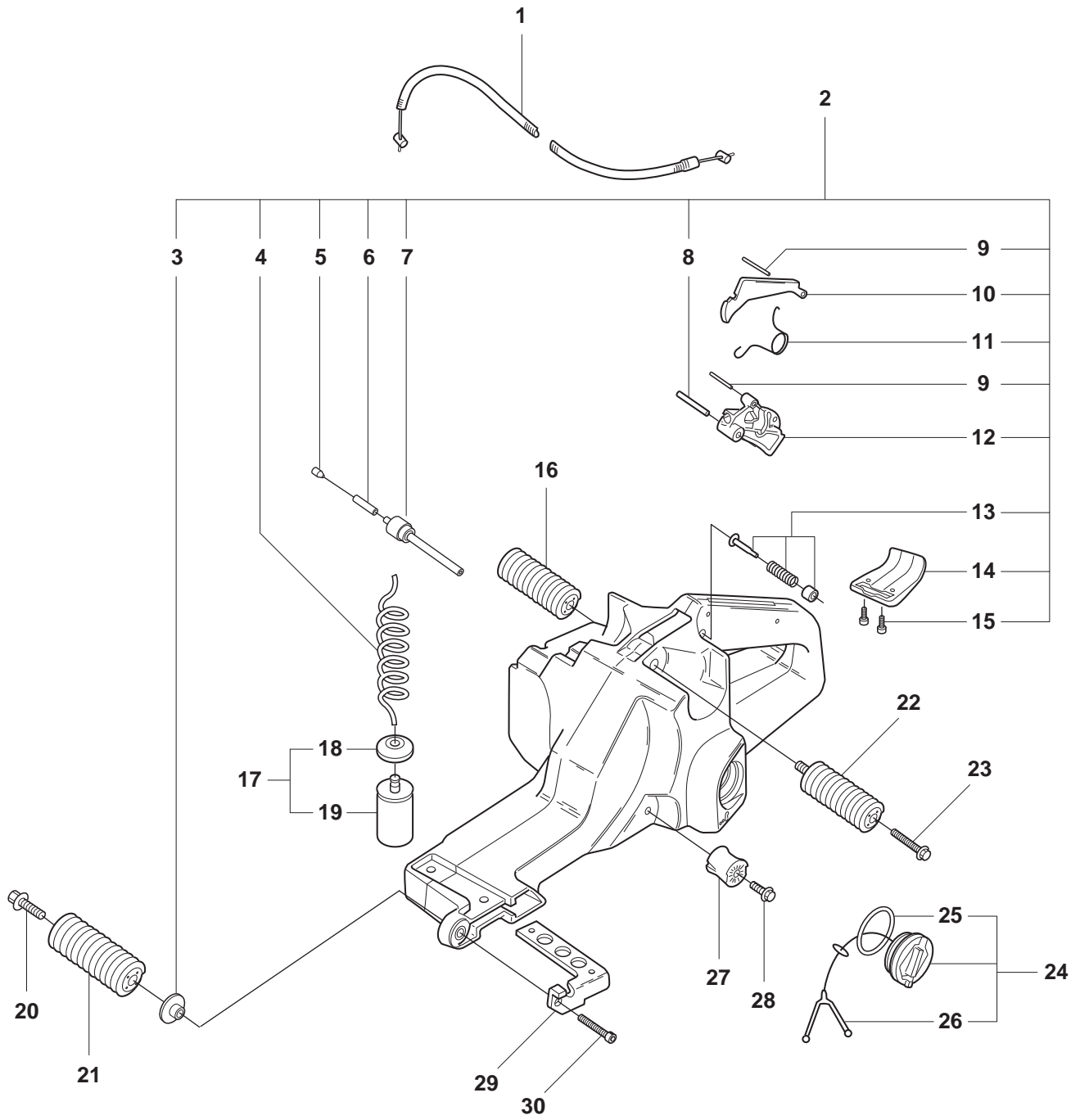
Page F
K1250, K1250 Rail

| Pos. | Part No. | Description | Quantity | Notes |
|-------------|-----------------|--------------------|-----------------|--------------|
| 1 | 503 14 20-73 | CRANKSHAFT ASSY | 1 | Incl. 2, 3 |
| 2 | 503 25 00-02 | BALL BEARING | 2 | |
| 3 | 503 13 29-01 | SUPPORT BUSHING | 1 | |
| 4 | 735 88 06-00 | WOODRUFF KEY | 1 | |



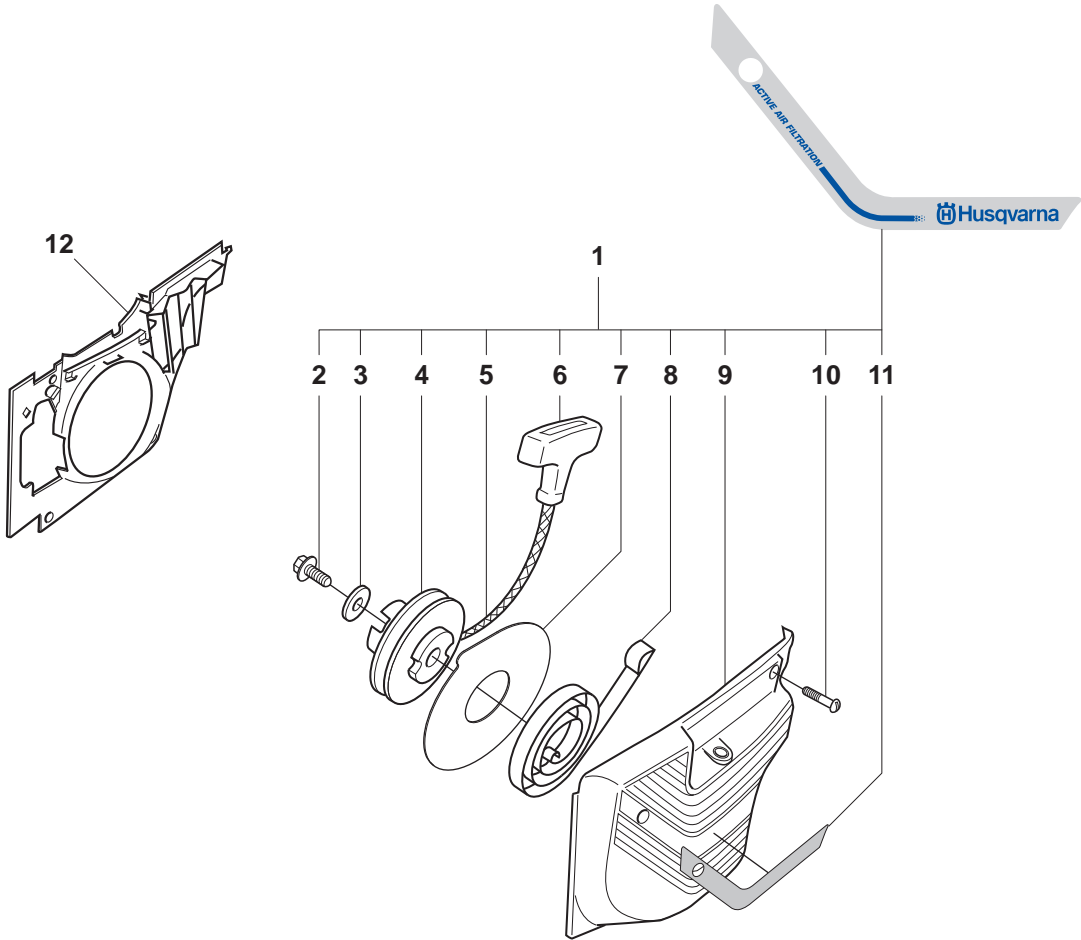
Page G
K1250, K1250 Rail

| Pos. | Part No. | Description | Quantity | Notes |
|-------------|-----------------|--------------------|-----------------|--------------|
| 1 | 506 25 53-02 | HANDLE | 1 | |
| 2 | 503 20 02-10 | SCREW | 1 | |
| 3 | 503 21 05-25 | SCREW | 2 | |
| 4 | 503 21 06-32 | SCREW | 4 | |
| 5 | 506 14 90-01 | SUPPORT | 1 | |
| 6 | 506 25 01-01 | GROUND SUPPORT | 1 | |
| 7 | 503 22 65-04 | NUT | 2 | |
| 8 | 725 53 70-55 | SCREW | 2 | |
| 9 | 503 20 03-12 | SCREW | 2 | |
| 10 | 503 26 60-02 | COUPLER | 1 | |



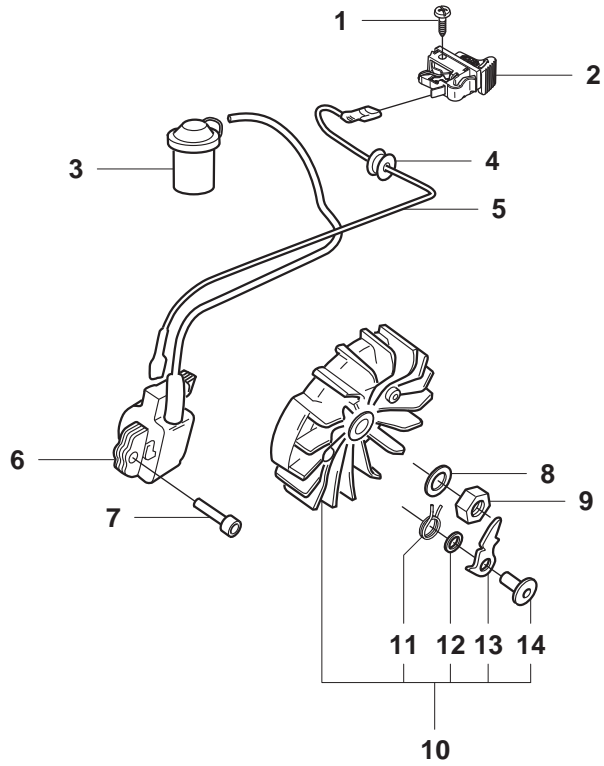
Page H
K1250, K1250 Rail

| Pos. | Part No. | Description | Quantity | Notes |
|------|--------------|----------------------|----------|--------------|
| 1 | 506 28 98-01 | THROTTLE WIRE | 1 | |
| 2 | 503 14 21-06 | TANK UNIT ASSY | 1 | Incl. 3 - 15 |
| 3 | 503 14 08-01 | BUSHING | 1 | |
| 4 | 503 57 76-02 | FUEL HOSE | 1 | |
| 5 | 504 35 72-01 | SINTER PLUG | 1 | |
| 6 | 501 76 83-04 | FUEL HOSE | 1 | |
| 7 | 506 29 39-01 | TANK WENT | 1 | |
| 8 | 720 12 78-06 | PIN | 1 | |
| 9 | 720 12 40-20 | PARALLEL PIN | 1 | |
| 10 | 503 13 16-01 | THROTTLE LOCKOUT | 1 | |
| 11 | 503 13 18-01 | SPRING | 1 | |
| 12 | 503 13 36-01 | THROTTLE LEVER | 1 | |
| 13 | 503 14 23-01 | THROTTLE CATCH | 1 | |
| 14 | 506 23 34-01 | SUPPORT | 1 | |
| 15 | 503 21 45-16 | SCREW | 2 | |
| 16 | 503 13 26-01 | AV-ELEMENT | 1 | |
| 17 | 506 26 41-11 | FUEL FILTER | 1 | Incl. 18, 19 |
| 18 | 506 27 11-01 | HOSE CLAMP | 1 | |
| 19 | 506 26 41-01 | FUEL FILTER | 1 | |
| 20 | 503 20 02-25 | SCREW | 1 | |
| 21 | 503 13 27-01 | AV-ELEMENT | 1 | |
| 22 | 503 13 25-01 | AV-ELEMENT | 1 | |
| 23 | 725 53 68-55 | SCREW | 2 | |
| 24 | 506 25 59-03 | TANK CAP ASSY | 1 | Incl. 25, 26 |
| 25 | 506 29 21-01 | GASKET | 1 | |
| 26 | 503 57 89-01 | HOLDER | 1 | |
| 27 | 501 81 47-01 | ANTIVIBRATIONS ELEME | 1 | |
| 28 | 503 20 02-12 | SCREW | 1 | |
| 29 | 503 14 05-01 | STIFFENING PLATE | 1 | |
| 30 | 503 20 02-30 | SCREW | 1 | |



Page J
K1250, K1250 Rail

| Pos. | Part No. | Description | Quantity | Notes |
|-------------|-----------------|--------------------|-----------------|--------------|
| 1 | 506 27 55-02 | STARTER | 1 | Incl. 2-11 |
| 2 | 503 21 06-16 | SCREW | 1 | |
| 3 | 503 23 43-02 | WASHER | 1 | |
| 4 | 501 89 67-01 | STARTER PULLEY | 1 | |
| 5 | 506 33 56-25 | STARTER CORD | 1 | |
| 6 | 503 12 79-01 | STARTER HANDLE | 1 | |
| 7 | 503 74 36-01 | DISC | 1 | |
| 8 | 503 13 50-01 | RECOIL SPRING ASSY | 1 | |
| 9 | 506 25 58-02 | STARTER COVER | 1 | |
| 10 | 503 20 34-25 | SCREW | 4 | |
| 11 | 544 87 35-01 | LABEL | 1 | |
| 12 | 501 89 59-02 | AIR CONDUCTOR | 1 | K1250 A |
| 12 | 501 89 59-03 | AIR CONDUCTOR | 1 | K1250 Rail |

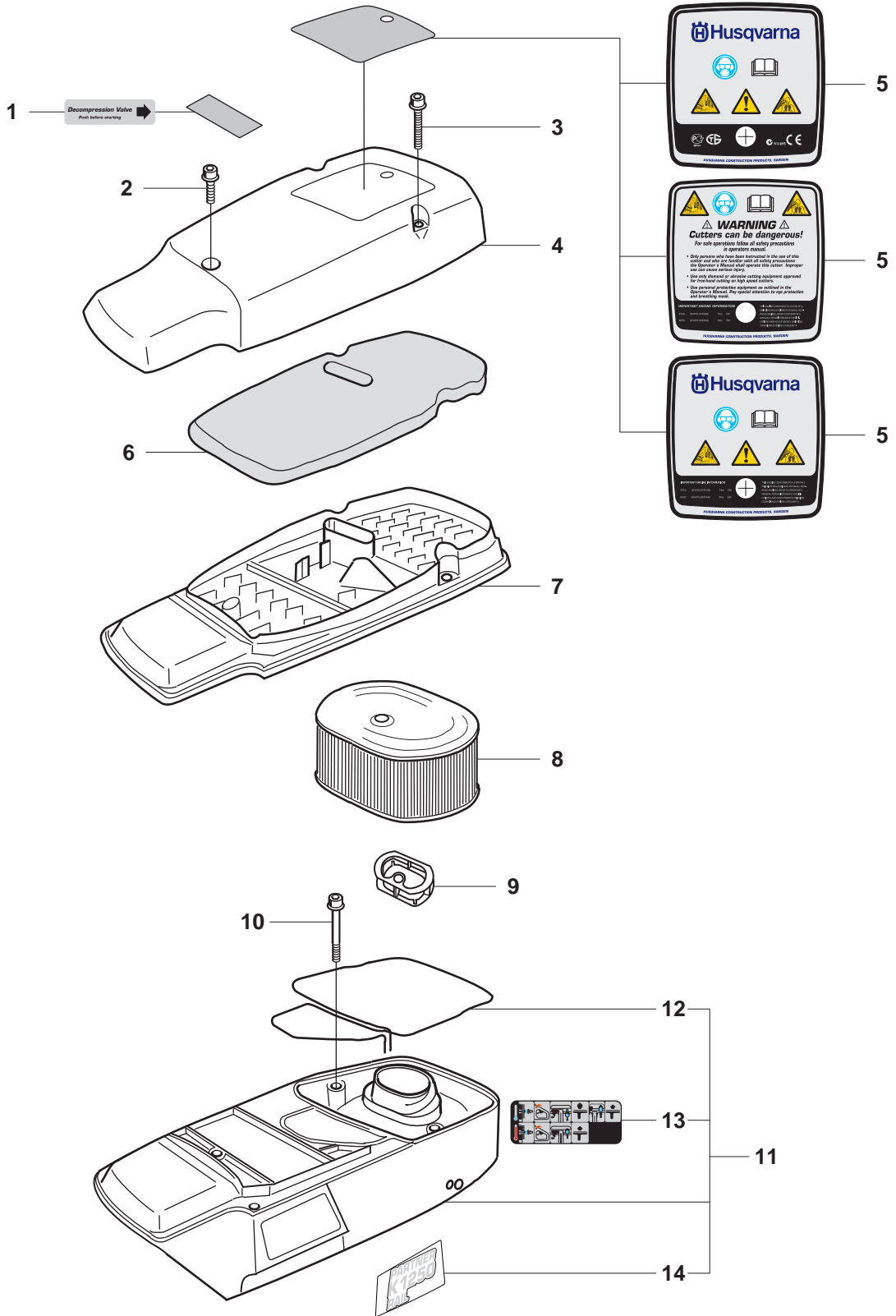


Page K
K1250, K1250 Rail

| Pos. | Part No. | Description | Quantity | Notes |
|-------------|-----------------|--------------------|-----------------|--------------|
| 1 | 503 21 90-08 | SCREW | 1 | |
| 2 | 506 31 86-02 | STOP SWITCH | 1 | |
| 3 | 501 48 54-02 | SPARK PLUG CAP | 1 | |
| 4 | 503 13 24-01 | CABLE GROMMET | 1 | |
| 5 | 501 83 98-03 | CABLE | 1 | |
| 6 | 544 01 88-01 | IGNITION SYSTEM | 1 | |
| 7 | 503 20 25-20 | SCREW | 1 | |
| 8 | 735 11 73-50 | SPRING WASHER | 1 | |
| 9 | 503 22 10-03 | NUT | 1 | |
| 10 | 501 89 50-03 | FLYWHEEL ASSY | 1 | Incl. 2-5 |
| 11 | 501 63 48-01 | SPRING | 2 | |
| 12 | 503 23 00-42 | WASHER STEEL | 2 | |
| 13 | 501 67 32-03 | PAWL | 2 | |
| 14 | 501 81 99-01 | SCREW | 2 | |

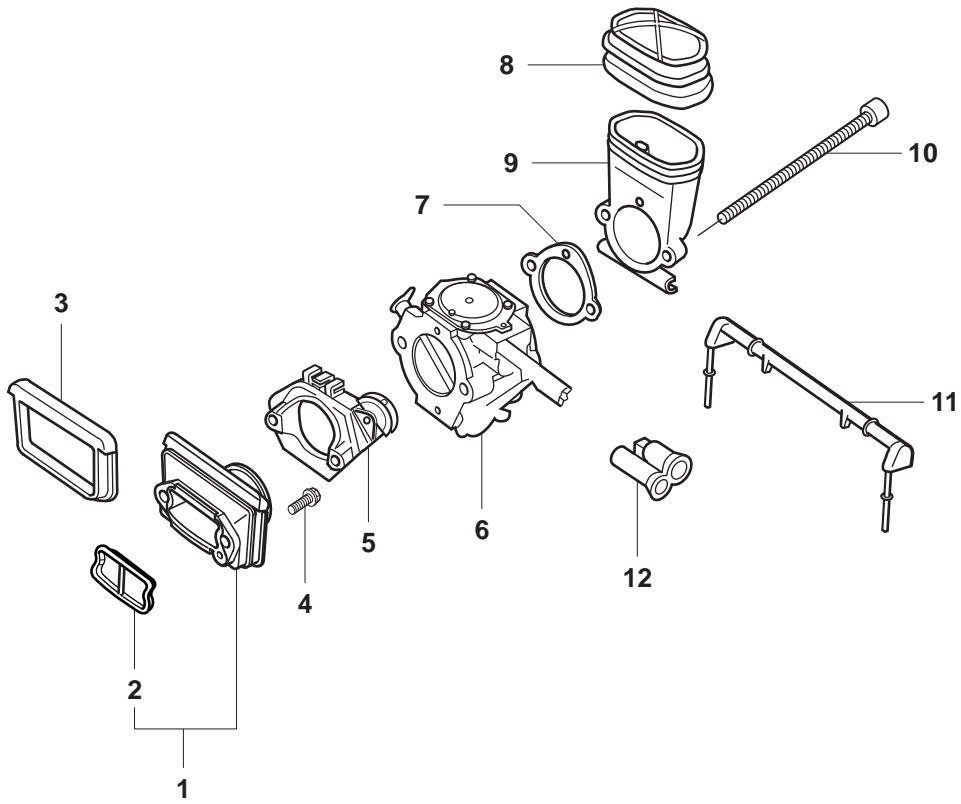


K1250

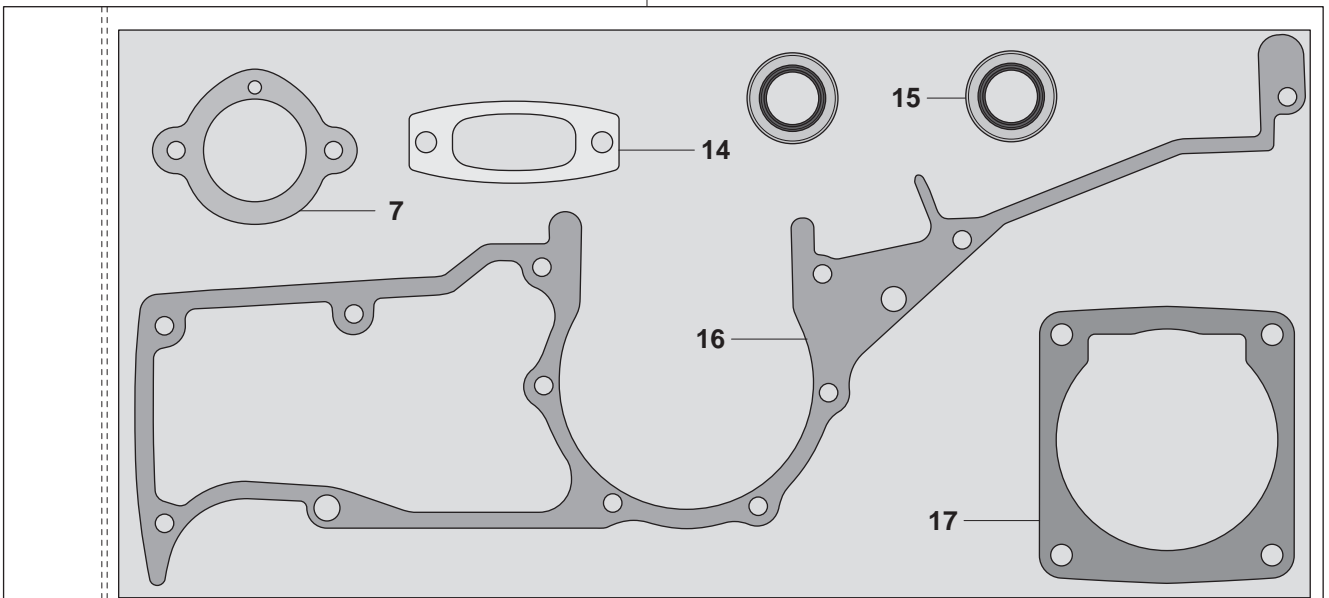


Page L
K1250, K1250 Rail

| Pos. | Part No. | Description | Quantity | Notes |
|-------------|-----------------|--------------------|-----------------|---------------|
| 1 | 544 87 46-02 | LABEL | 1 | |
| 2 | 503 20 34-25 | SCREW | 1 | |
| 3 | 503 20 34-55 | SCREW | 2 | |
| 4 | 506 25 56-02 | FILTER COVER | 1 | |
| 5 | 544 87 44-02 | LABEL | 1 | CE |
| 5 | 544 87 44-03 | LABEL | 1 | EPA Canada |
| 5 | 544 87 44-04 | LABEL | 1 | EPA USA |
| 6 | 506 26 87-01 | PREFILTER | 1 | |
| 7 | 506 25 57-02 | FILTER BOTTOM | 1 | |
| 8 | 506 23 18-03 | AIR FILTER | 1 | |
| 9 | 506 25 03-01 | INSERT | 1 | |
| 10 | 503 20 02-30 | SCREW | 4 | |
| 11 | 506 27 54-02 | CYLINDER COVER | 1 | Incl. 2, 3, 4 |
| 12 | 506 28 39-30 | SEALING | 1 | |
| 13 | 544 87 38-01 | LABEL | 1 | |
| 14 | 544 87 39-01 | LABEL | 1 | K1250 |
| 14 | 544 87 39-02 | LABEL | 1 | K1250 Rail |

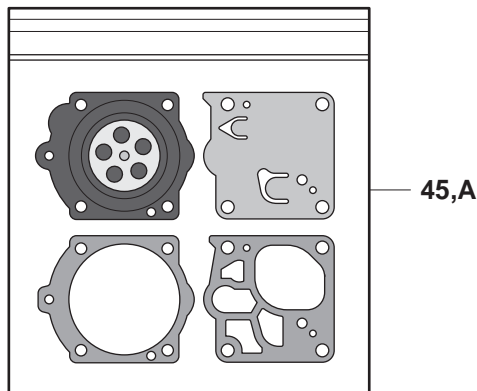
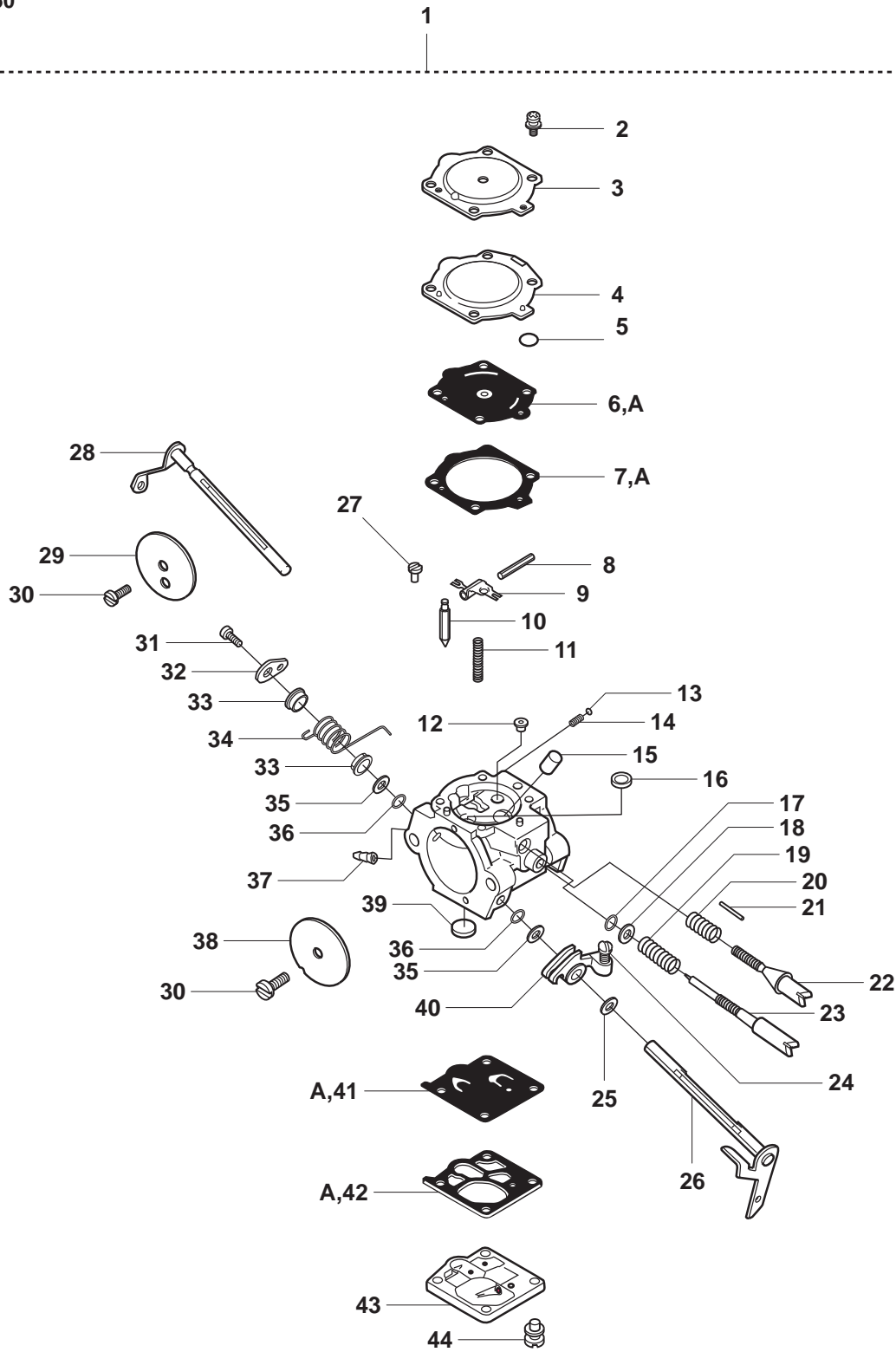


13



Page M
K1250, K1250 Rail

| Pos. | Part No. | Description | Quantity | Notes |
|-------------|-----------------|--------------------|-----------------|---------------|
| 1 | 506 24 10-71 | INLET PIPE | 1 | Incl. 2 |
| 2 | 506 31 38-01 | INSERT | 1 | |
| 3 | 503 14 37-01 | SEALING | 1 | |
| 4 | 503 20 02-20 | SCREW | 1 | |
| 5 | 506 28 97-01 | FLANGE | 1 | |
| 6 | 503 28 12-17 | CARBURETTOR | 1 | |
| 7 | 506 27 43-01 | GASKET | 1 | Gasket kit 13 |
| 8 | 506 25 02-01 | BELLOWS | 1 | |
| 9 | 506 24 13-01 | INLET BEND | 1 | |
| 10 | 503 21 75-65 | SCREW | 2 | |
| 11 | 506 25 04-01 | SUPPORT | 1 | |
| 12 | 506 25 46-01 | CHISEL GUIDE | 1 | |
| 13 | 506 29 24-02 | GASKET KIT | 1 | |
| 14 | 503 13 13-04 | GASKET MUFFLER | 1 | |
| 15 | 503 26 02-05 | SEALING RING | 2 | |
| 16 | 503 13 45-01 | CRANKCASE GASKET | 1 | |
| 17 | 503 13 46-01 | GASKET | 1 | |



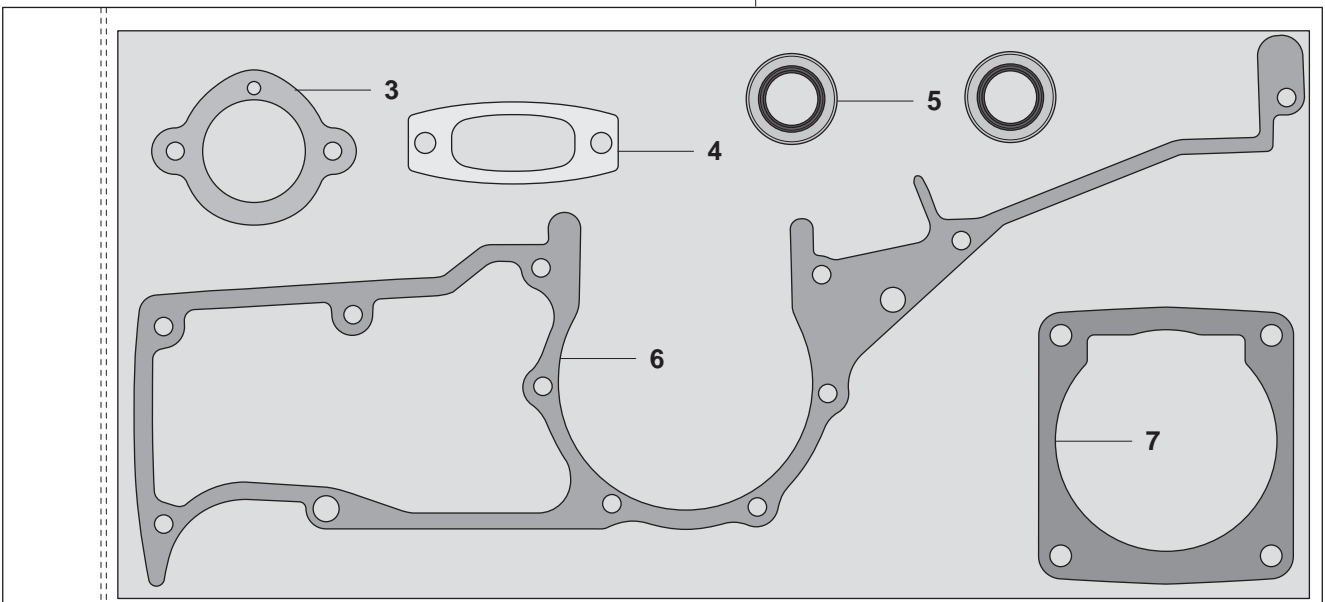
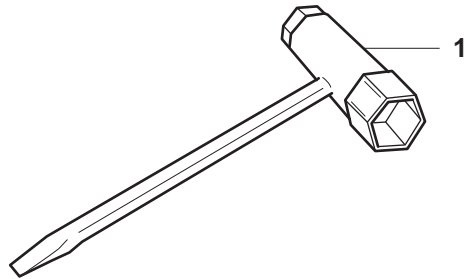
Page N
K1250, K1250 Rail

| Pos. | Part No. | Description | Quantity | Notes |
|------|--------------|----------------------|----------|--------|
| 1 | 503 28 12-17 | CARBURETTOR | 1 | |
| 2 | 537 00 31-01 | SCREW | 1 | |
| 3 | 501 69 28-01 | COVER-METERING DIAPH | 1 | |
| 4 | 537 00 29-01 | COVER | 1 | |
| 5 | 537 00 28-01 | RING | 1 | |
| 6 | 503 63 28-01 | DIAPHRAGM ASSY METER | 1 | Kit 45 |
| 7 | 501 46 75-01 | GASKET-METERING DIAP | 1 | Kit 45 |
| 8 | 505 31 67-31 | PIN-METERING LEVER | 1 | |
| 9 | 505 31 67-34 | LEVER-METERING | 1 | |
| 10 | 503 56 34-01 | VALVE INLET NEEDLE | 1 | |
| 11 | 505 31 67-23 | SPRING-METER.LEVER | 1 | |
| 12 | 537 15 34-01 | JET | 1 | |
| 13 | 501 46 85-01 | BALL-CHOKE FRICTION | 1 | |
| 14 | 501 46 84-01 | SPRING-CHOKE FRICT. | 1 | |
| 15 | 503 97 66-01 | NOZZLE ASSY | 1 | |
| 16 | 503 57 42-01 | PLUG-WELCH | 1 | |
| 17 | 503 59 55-01 | O-RING | 1 | |
| 18 | 503 59 72-01 | WASHER | 1 | |
| 19 | 505 31 67-37 | SPRING-NEEDLE | 1 | |
| 20 | 503 63 31-01 | SPRING | 1 | |
| 21 | 503 52 60-01 | PIN THROTTLE STOP | 1 | |
| 22 | 503 63 29-01 | SCREW IDLE SPEED | 1 | |
| 23 | 503 63 32-01 | NEEDLE IDLE SPEED | 1 | |
| 24 | 503 59 65-01 | SCREW | 1 | |
| 25 | 506 02 83-01 | WASHER | 1 | |
| 26 | 503 59 59-01 | SHAFT ASS'Y THROTTLE | 1 | |
| 27 | 505 31 67-17 | SCREW-LEVER PIN | 1 | |
| 28 | 537 00 30-01 | SHAFT ASS'Y | 1 | |
| 29 | 503 52 58-01 | VALVE CHOKE | 1 | |
| 30 | 530 03 50-15 | SCREW-VALVE | 2 | |
| 31 | 503 19 22-01 | SCREW PAN HD(M2.5x5) | 1 | |
| 32 | 503 59 56-01 | LEVER THROTTLE | 1 | |
| 33 | 502 10 31-01 | BUSHING-THROTT.SPR. | 2 | |
| 34 | 503 52 59-01 | SPRING THROTT RETURN | 1 | |
| 35 | 505 31 67-48 | WASHER | 2 | |
| 36 | 503 56 45-01 | SEAL-THROTTLE SHAFT | 2 | |
| 37 | 503 59 84-01 | FITTING FUEL INLET | 1 | |
| 38 | 503 63 24-01 | VALVE THROTTLE | 1 | |
| 39 | 501 66 61-01 | SCREEN-INLET | 1 | |
| 40 | 503 59 57-01 | LEVER THROTTLE INNER | 1 | |
| 41 | 503 11 73-01 | DIAPHRAGM-PUMP | 1 | Kit 45 |
| 42 | 503 11 72-01 | GASKET-PUMP | 1 | Kit 45 |
| 43 | 503 59 58-01 | COVER-PUMP | 1 | |
| 44 | 503 11 75-01 | SCREW-PUMP COVER | 1 | |
| 45 | 503 59 74-02 | GASKET KIT | 1 | |

P

K1250

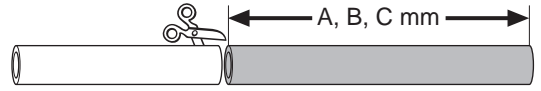
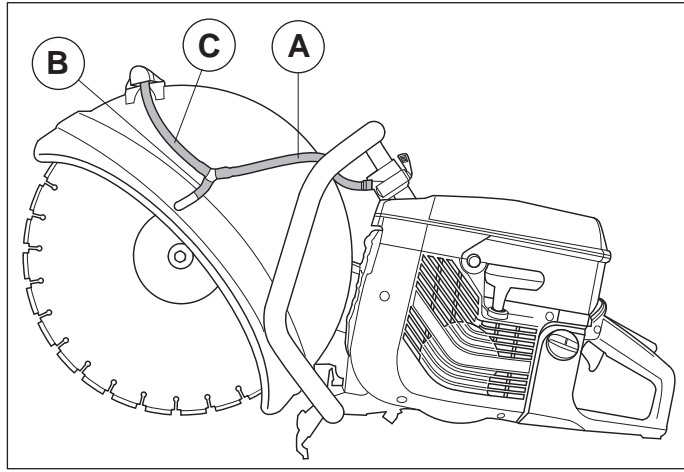
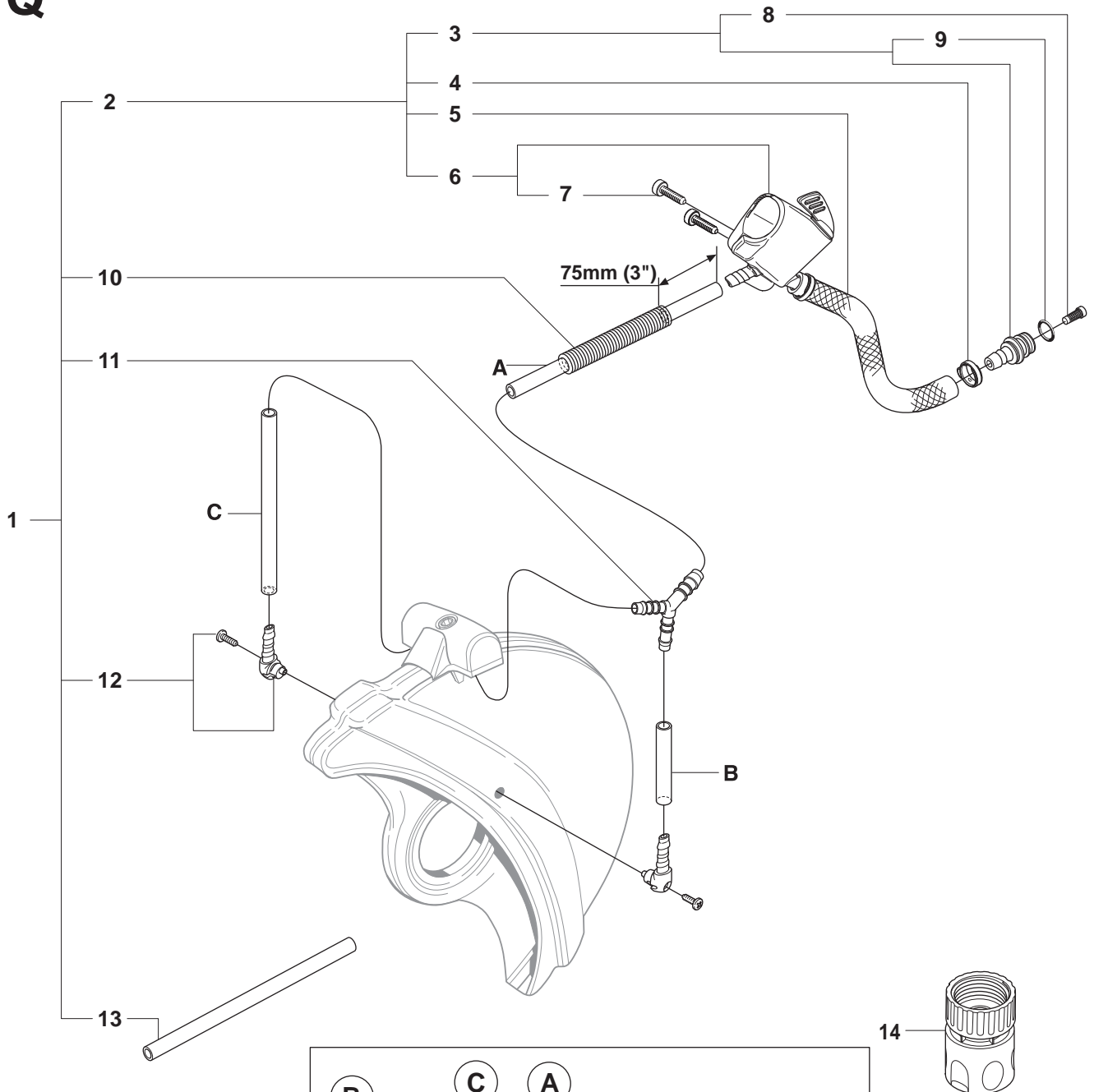
Accessories
Zubehöre
Accessoires
Accesorios
Tillbehör



Page P
K1250, K1250 Rail

| Pos. | Part No. | Description | Quantity | Notes |
|-------------|-----------------|--------------------|-----------------|--------------|
| 1 | 501 69 17-02 | COMBINATION TOOL | 1 | |
| 2 | 506 29 24-02 | GASKET KIT | 1 | |
| 3 | 506 27 43-01 | GASKET | 1 | |
| 4 | 503 13 13-04 | GASKET MUFFLER | 1 | |
| 5 | 503 26 02-05 | SEALING RING | 2 | |
| 6 | 503 13 45-01 | CRANKCASE GASKET | 1 | |
| 7 | 503 13 46-01 | GASKET | 1 | |

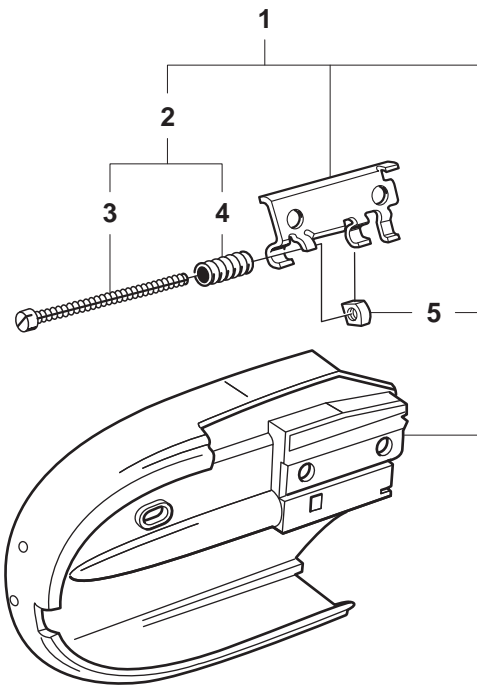
Q K1250



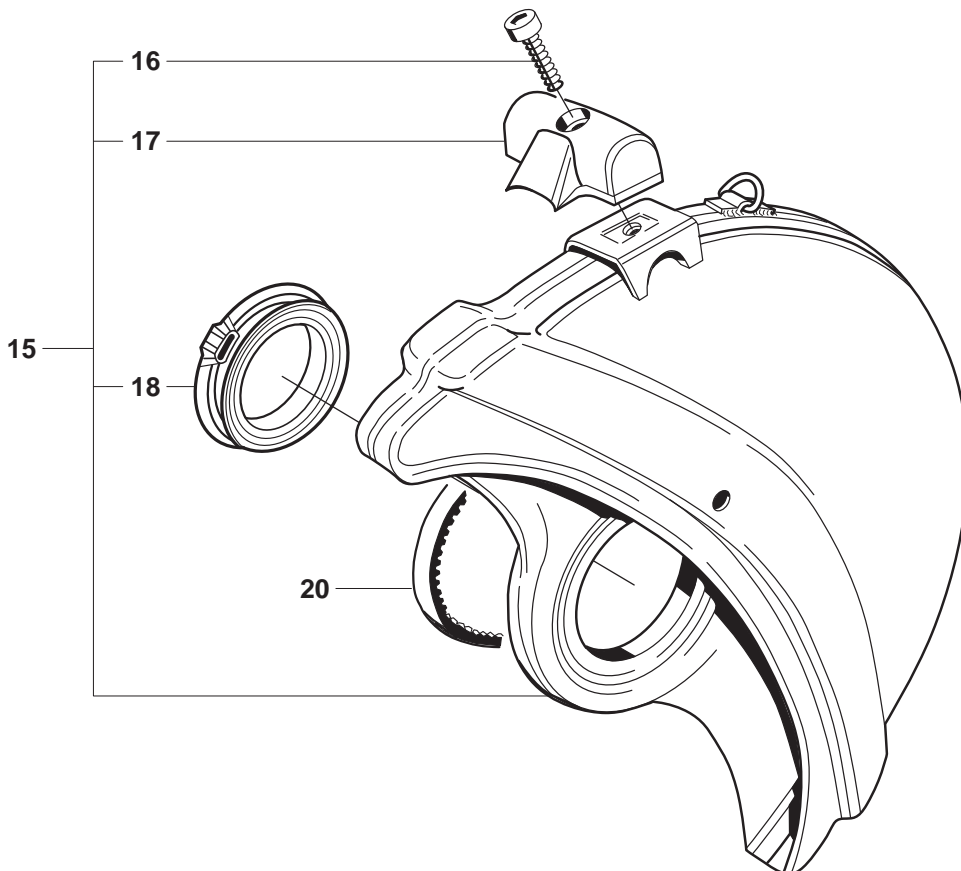
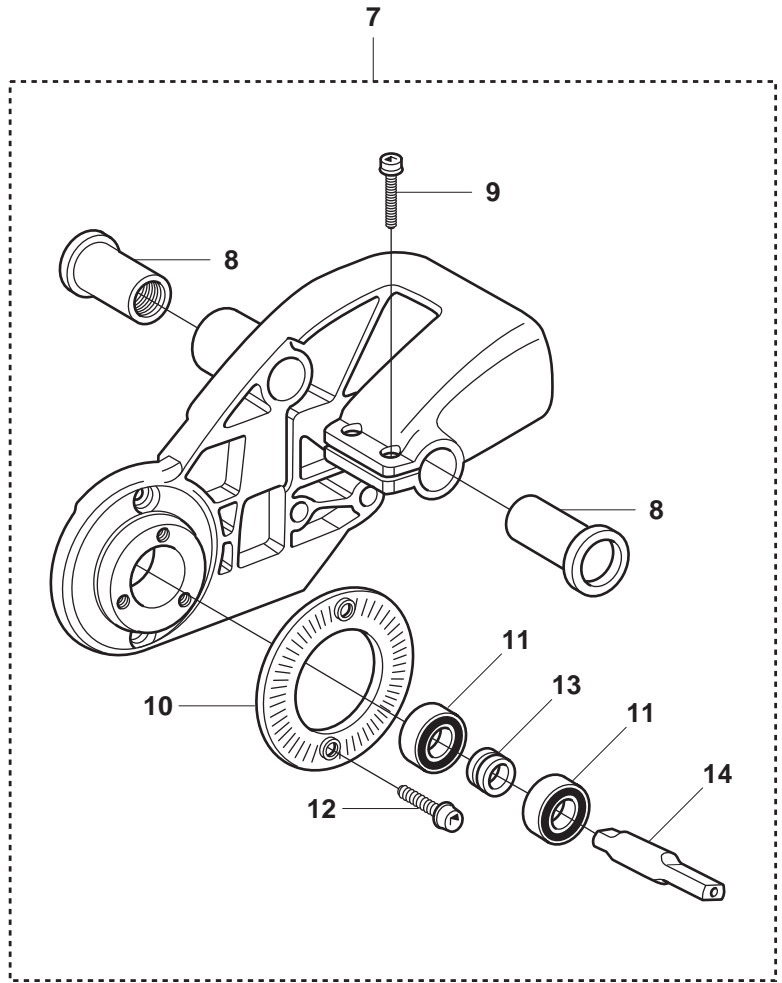
| Product | | A (mm) | B (mm) | C (mm) |
|---------|-----|--------|--------|--------|
| K1250A | 14" | 280 | 45 | 280 |
| | 16" | 270 | 45 | 360 |

Page Q
K1250, K1250 Rail

| Pos. | Part No. | Description | Quantity | Notes |
|-------------|-----------------|--------------------|-----------------|----------------|
| 1 | 544 00 31-03 | WATER HOSE KIT | 1 | Incl. 2, 10-13 |
| 2 | 506 32 90-21 | HOSE | 1 | Incl. 3-6 |
| 3 | 506 29 57-02 | NIPPLE | 1 | Incl. 8 |
| 4 | 506 09 56-02 | HOSE CLAMP | 2 | |
| 5 | 506 09 75-02 | HOSE | 1 | L=230mm |
| 6 | 506 31 77-31 | VALVE ASSY | 1 | Incl. 7 |
| 7 | 503 21 06-19 | SCREW | 2 | |
| 8 | 506 29 88-01 | FILTER | 1 | |
| 9 | 503 26 30-21 | O-RING | 1 | |
| 10 | 506 35 27-01 | PROTECTIVE SPRING | 1 | |
| 11 | 506 32 87-01 | Y-TUBE | 1 | |
| 12 | 506 29 56-01 | NIPPLE | 2 | |
| 13 | 506 09 58-24 | HOSE | 1 | L=800mm |
| 14 | 503 26 60-02 | COUPLER | 1 | |

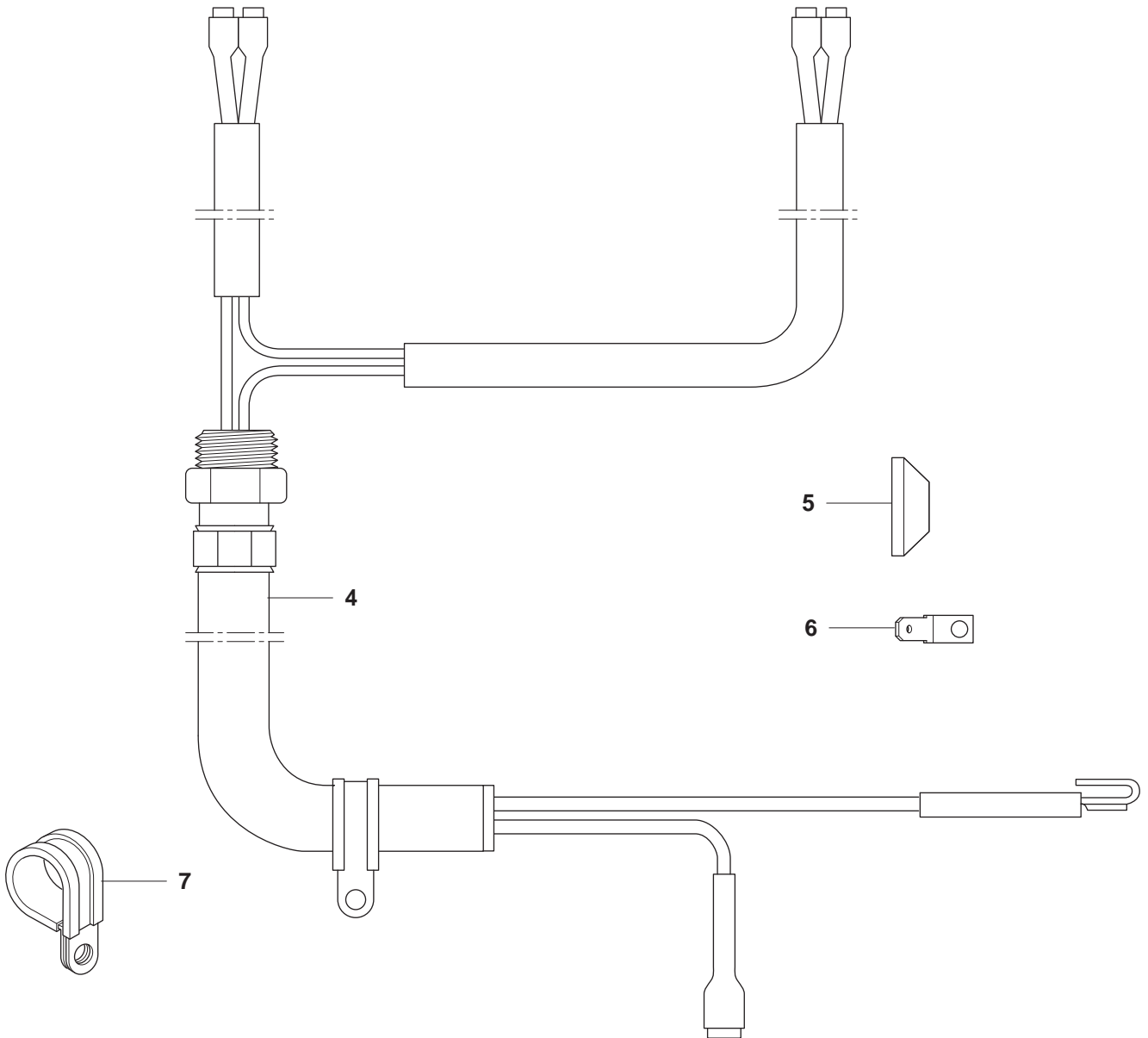
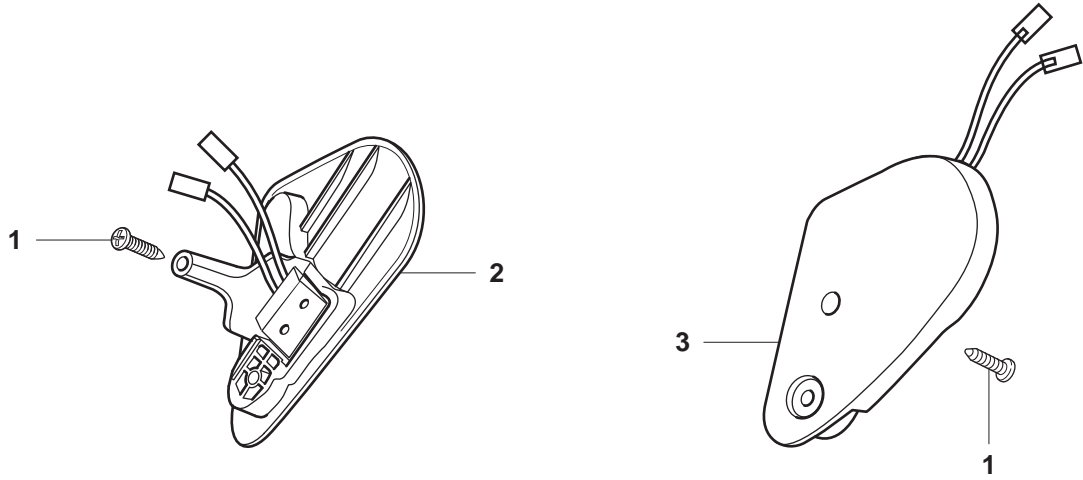


6



Page R
K1250, K1250 Rail

| Pos. | Part No. | Description | Quantity | Notes |
|------|--------------|----------------------|----------|------------------|
| 1 | 506 27 92-31 | BELT GUARD | 1 | K1250 Rail 14" |
| 1 | 506 27 92-38 | BELT GUARD | 1 | K1250 Rail 16" |
| 2 | 506 26 66-03 | BELT TENSIONER ASSY | 1 | Incl. 3, 4 |
| 3 | 503 20 30-11 | SCREW | 1 | |
| 4 | 506 26 68-01 | COMPRESSION SPRING | 1 | |
| 5 | 503 22 66-01 | NUT | 1 | |
| 6 | 544 87 36-01 | LABEL | 1 | |
| 7 | 544 88 75-01 | BEARING HOUSING | 1 | K1250 Rail 14" |
| 7 | 544 88 75-02 | BEARING HOUSING | 1 | K1250 Rail 16" |
| 8 | 506 22 75-01 | SLEEVE | 2 | |
| 9 | 503 20 02-16 | SCREW | 2 | |
| 10 | 506 28 84-01 | SCREEN PATTERN FLANG | 1 | |
| 11 | 503 25 21-01 | BALL BEARING | 2 | |
| 12 | 503 20 07-12 | SCREW | 2 | |
| 13 | 506 07 08-01 | SPACING SLEEVE | 1 | |
| 14 | 506 29 83-63 | SHAFT | 1 | |
| 15 | 506 34 05-24 | WHEEL GUARD ASSY | 1 | 14". Incl. 18-21 |
| 15 | 506 34 05-26 | WHEEL GUARD ASSY | 1 | 16". Incl. 18-21 |
| 16 | 725 53 31-55 | SCREW | 1 | |
| 17 | 506 34 46-02 | HANDLE | 1 | |
| 18 | 506 26 63-02 | LINING | 1 | |
| 19 | 506 37 27-38 | BELT | 1 | 16" |



Page S
K1250, K1250 Rail

| Pos. | Part No. | Description | Quantity | Notes |
|-------------|-----------------|--------------------|-----------------|--------------|
| 1 | 729 53 27-71 | SCREW | 2 | |
| 2 | 506 35 91-01 | STOP SWITCH | 1 | LH |
| 3 | 506 35 91-02 | STOP SWITCH | 1 | RH |
| 4 | 506 35 90-01 | WIRING | 1 | |
| 5 | 506 35 96-01 | SPACING BLOCK | 1 | |
| 6 | 535 03 94-01 | CONNECTION PLATE | 1 | |
| 7 | 506 35 80-01 | BRACKET | 1 | |