

K950 Ring

Reservdelar

Spare parts

Ersatzteile

Pieces de rechange

Piezas de repuesto

Ricambi

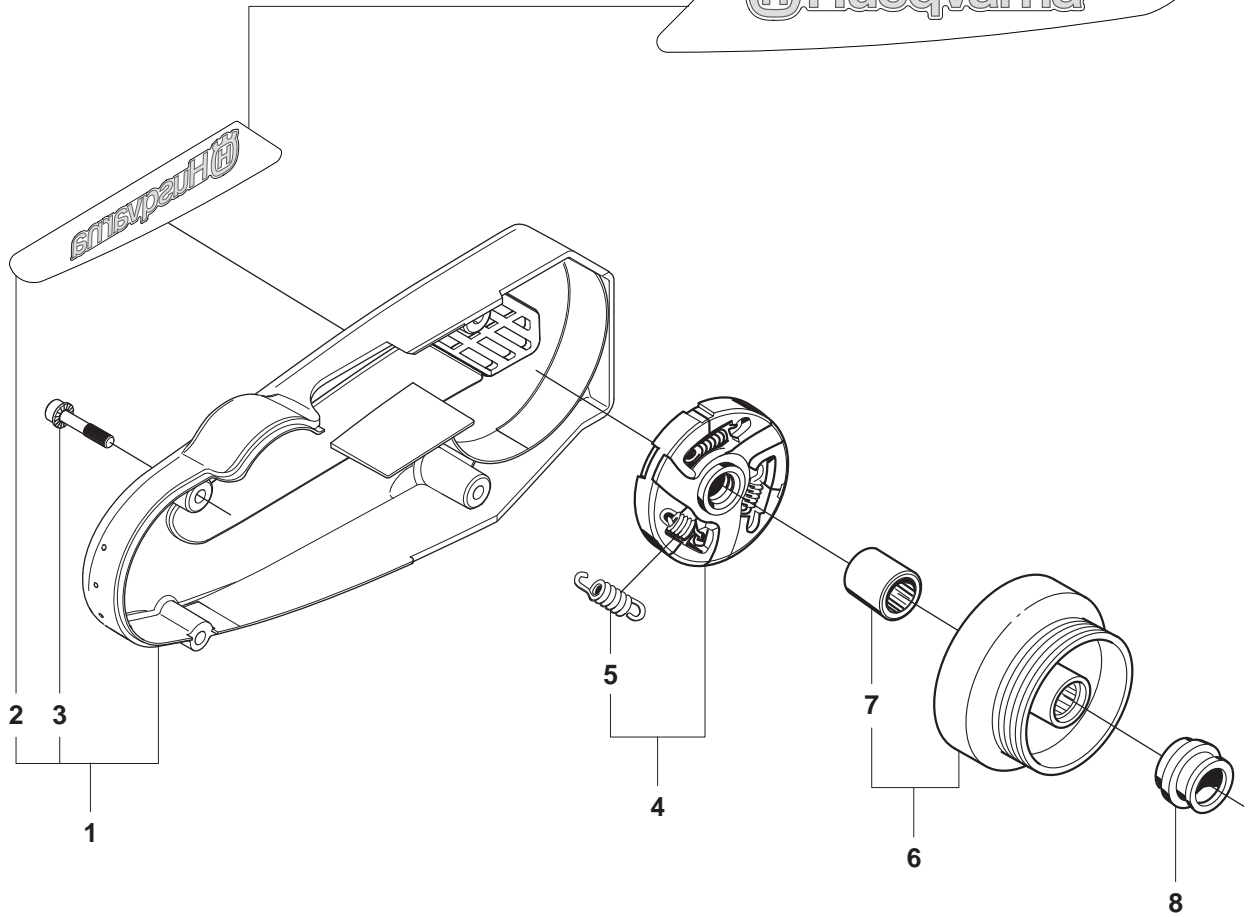
Peças sobresselente

No.	Pos.	Description	No.	Pos.	Description
501 19 22-01	Q	TOOL CASING	503 45 46-01	K	CONNECTION BEND
501 22 03-01	P	WELCH PLUG(LARGE)	503 46 85-01	K	AV-ELEMENT
501 22 04-01	P	CHOKE FRICTION BALL	503 53 36-01	P	DIAPHRAGM COVER
501 22 05-01	P	SPRING	503 53 39-01	P	TUBE CONNECTOR
501 22 12-01	P	FUEL PUMP DIAPHRAM	503 56 00-02	D	HOSE CLAMP
501 22 13-01	P	FUEL PUMP GASKET	503 57 76-02	K	FUEL HOSE
501 22 15-01	P	SCREW	503 57 86-01	P	SPEED SCREW RET BALL
501 22 20-01	P	LEVER	503 57 87-01	P	IDLE SPEED SCREW
501 22 21-01	P	PIN RETAINING SCREW	503 57 89-01	K	TANK CAP
501 22 25-01	P	SPRING	503 66 56-01	G	DECOMPRESSION VALVE
501 48 52-01	P	PIN RETAINING SCREW	503 67 80-01	D	SUPPORT SLEEVE
501 48 54-02	F	SPARK PLUG CAP	503 70 15-01	A	CLUTCH ASSY
501 63 48-01	F	SPRING	503 78 26-74	H	CRANKSHAFT ASSY
501 67 32-03	F	PAWL	503 98 82-01	P	SCREEN
501 69 17-02	Q	COMBINATION TOOL	505 27 75-16	F	INSULATING CAP
501 76 83-05	K	FUEL HOSE	505 31 65-50	P	INLET NEEDLE
501 76 83-31	K	FUEL HOSE	506 03 32-02	J	SCREW
501 81 99-01	F	SCREW	506 09 56-02	L	HOSE CLAMP
501 82 18-01	P	"THROTTLE SH."E"RING"	506 09 56-03	L	HOSE CLAMP
501 83 98-01	F	CABLE	506 09 58-04	L	HOSE
502 21 58-01	Q	L SPANNER	506 13 35-01	D	CARBURETTOR BRACKET
502 41 22-01	L	HOSE CLAMP	506 13 95-11	N	WASHER
503 12 79-01	E	STARTER HANDLE	506 13 96-01	N	COLLAR SCREW
503 14 51-01	A	CLUTCH SPRING	506 15 55-06	G	CYLINDER ASSY
503 20 00-45	N	SCREW COLLAR	506 15 56-02	G	PISTON ASSY
503 20 02-16	CDGK	SCREW	506 15 82-01	GJQ	CYLINDER BASE GASKET
503 20 02-30	C	SCREW	506 16 91-01	G	COOLING PLATE
503 20 02-55	D	SCREW	506 17 83-01	N	GEAR WHEEL
503 20 03-80	N	SCREW	506 21 68-13	K	FUEL TANK
503 20 07-16	J	SCREW	506 22 17-02	C	AIR FILTER COVER
503 20 13-18	MN	COLLAR SCREW	506 22 18-15	C	FILTER BOTTOM
503 20 25-20	F	SCREW	506 22 19-01	D	INLET PIPE
503 20 34-19	A	SCREW	506 22 22-02	E	AIR CONDUCTOR
503 20 34-42	C	SCREW	506 22 27-02	K	THROTTLE TRIGGER
503 20 54-35	M	SCREW	506 22 28-02	K	THROTTLE LOCKOUT
503 20 59-20	E	SCREW	506 22 29-01	K	SPRING THROTTLE TRIG
503 21 05-22	KL	SCREW	506 22 31-01	D	THROTTLE WIRE
503 21 05-45	K	SCREW	506 22 39-01	D	FLANGE
503 21 06-19	L	SCREW	506 22 94-01	C	AIR NOZZLE
503 21 28-06	F	SCREW	506 23 12-01	D	CHISEL GUIDE
503 21 28-10	E	SCREW	506 23 19-01	C	PREFILTER
503 21 46-01	L	SCREW	506 23 20-11	D	CHOKE
503 21 67-22	E	SKRUV	506 23 24-01	GJQ	GASKET CRANKCASE
503 22 00-01	MN	NUT FLANGE	506 23 59-11	E	STARTER
503 22 10-11	F	NUT	506 23 61-01	K	TANK VENT
503 23 00-42	F	WASHER STEEL	506 23 75-01	K	VIB.INSULATOR
503 23 01-01	F	WASHER STEEL	506 24 39-02	C	LABEL
503 23 01-12	N	WASHER STEEL	506 24 69-04	L	BLADE GUARD
503 23 04-01	N	WASHER	506 25 14-01	E	RECOIL SPRING
503 23 04-02	G	WASHER	506 25 30-01	E	GROMMET
503 23 04-03	M	WASHER	506 25 59-03	K	TANK CAP ASSY
503 23 51-08	F	SPARK PLUG	506 25 64-02	P	INSERT
503 25 00-02	HJ	BALL BEARING	506 25 73-01	N	COMPRESSION SPRING
503 25 21-01	N	BALL BEARING	506 25 81-02	E	COMPRESSION SPRING
503 25 24-01	BMN	BALL BEARING	506 25 84-01	P	DIAPHRAGM
503 25 38-01	A	NEEDLE BEARING	506 25 85-01	P	DIAPHRAGM
503 25 61-01	GH	NEEDLE BEARING	506 25 88-01	P	DIAPHRAGM
503 26 02-05	GJQ	SEALING RING	506 25 89-01	E	STARTER PULLEY
503 26 20-01	MN	SEALING RING	506 26 22-02	L	WHEEL
503 26 21-01	N	SEALING RING	506 26 31-01	E	SPACING SLEEVE
503 26 30-08	M	O-RING	506 26 41-01	K	FUEL FILTER
503 26 30-21	L	O-RING	506 26 41-11	K	FUEL FILTER
503 26 30-22	N	O-RING	506 27 11-01	K	HOSE CLAMP
503 26 30-25	L	O-RING	506 27 14-01	P	MET.RETENTION SCREW
503 26 30-26	M	O-RING	506 27 23-02	E	LABEL
503 26 60-02	L	COUPLER	506 27 25-01	D	WEAR PROTECTION
503 28 04-02	DP	CARBURETTOR	506 27 27-01	F	FLYWHEEL
503 28 90-24	G	PISTON RING	506 27 31-01	J	BUFFER
503 37 81-01	G	GASKET	506 27 63-01	P	REPAIR PARTS KIT
503 40 06-07	D	IMPULSE HOSE	506 27 75-01	N	PULLEY

No.	Pos.	Description	No.	Pos.	Description
506 28 01-01	A	GEAR WHEEL ASSY	506 36 38-02	Q	TOOL
506 28 03-05	M	COVER	506 36 52-01	D	INLET BEND
506 28 06-02	B	BELT TENSIONER ASSY	506 37 46-02	N	FLANGE WASHER
506 28 07-04	J	CRANKCASE	506 37 47-01	N	SEALING COLLAR
506 28 09-02	A	BELT GUARD	506 37 48-01	N	SEALING HOLDER
506 28 39-30	C	SEALING	506 37 49-01	N	SLEEVE
506 28 53-01	K	VIB.INSULATOR	506 37 50-02	N	SPACER
506 28 59-01	A	SPACING SLEEVE	506 37 63-01	M	SPACER
506 28 63-01	P	SPRING THROTT.RETURN	506 37 64-01	M	RUBBER BUSHING
506 28 68-01	P	FUEL PUMP COVER	506 37 81-01	GJQ	GASKET MUFFLER
506 28 95-01	K	NIPPLE	506 37 93-02	MN	SPACING SLEEVE
506 29 05-04	GJQ	GASKET KIT	506 38 09-01	N	BEARING CAGE
506 29 09-01	P	THROTTLE SHAFT(KIT)	506 38 11-01	N	CAP
506 29 10-01	P	SEALING, KIT	506 38 22-02	N	KNOB
506 29 11-01	P	CHOKE SHAFT (KIT)	506 38 23-01	N	BEARING CAGE
506 29 13-01	P	JET (KIT)	506 38 29-01	L	NIPPLE
506 29 21-01	K	GASKET	506 38 33-01	L	WATER BLADE
506 29 23-01	L	DRAW SPRING	506 38 37-02	Q	S SPANNER
506 29 57-01	L	NIPPLE	506 38 49-02	Q	LUBRICATION GUN
506 29 67-01	B	BELT	506 38 78-34	F	IGNITION CABLE
506 29 78-02	K	HANDLE	506 38 90-03	N	CHASSIE ASSY
506 29 88-01	L	FILTER	506 38 97-01	N	PIN
506 30 14-02	M	ADJUSTING SCREW	506 39 95-01	M	SEALING
506 30 29-01	N	SHAFT	544 00 31-04	L	WATER HOSE KIT
506 30 29-02	M	SHAFT	544 01 88-01	F	IGNITION SYSTEM
506 30 33-01	N	SPACING SLEEVE	544 07 76-01	N	SLEEVE
506 30 33-02	M	SPACING SLEEVE	544 08 04-02	Q	GREASE TUBE
506 30 34-01	MN	DRIVER	544 09 64-01	J	BELT GUIDE
506 30 35-01	N	BUMPER	544 09 77-01	J	BUSHING
506 31 22-01	N	DRIVER	544 38 31-01	K	SPRING
506 31 28-01	L	COVER PLATE	544 87 25-01	A	LABEL
506 31 45-01	L	SPACER TUBE	544 87 44-01	C	LABEL
506 31 68-01	N	SPACING SLEEVE	544 87 44-02	C	LABEL
506 31 68-02	M	SPACING SLEEVE	544 87 44-03	C	LABEL
506 31 69-01	N	DUST COVER	544 87 46-01	C	LABEL
506 31 77-31	L	VALVE ASSY	544 89 07-05	C	LABEL
506 31 86-02	F	STOP SWITCH	544 89 14-03	C	CYLINDER COVER ASSY
506 32 17-01	M	WASHER	720 12 40-20	K	PARALLEL PIN
506 32 80-01	N	LOCKING BUTTON	720 13 07-10	J	PIN
506 33 08-01	M	THREAD BUSHING	721 12 52-70	N	PIN
506 33 49-02	L	SPACER TUBE	721 42 52-50	N	SPRING PIN
506 33 49-03	M	SPACER TUBE	721 44 06-00	N	PIN
506 33 51-01	B	ROLLER	725 52 95-55	L	SCREW
506 33 52-01	B	SPACER	725 53 27-55	N	SCREW
506 33 53-01	B	LEVER	725 53 29-55	MN	SCREW
506 33 53-02	B	LEVER	725 53 31-56	L	SCREW
506 33 54-01	B	SPACER	725 53 40-55	J	SCREW
506 33 56-15	E	STARTER CORD	725 53 42-55	J	SCREW
506 33 56-50	E	STARTER CORD	725 53 72-55	BG	SCREW
506 33 65-01	N	SEALING RING	725 53 76-56	L	SCREW
506 33 72-03	E	STARTER COVER	725 53 78-55	B	SCREW
506 33 95-01	L	DRAW SPRING	725 53 79-56	L	SCREW
506 33 96-01	L	BOLT	725 53 81-56	M	SCREW
506 34 39-01	N	WIPER	725 54 59-05	N	SCREW
506 34 63-01	M	WASHER	729 52 89-71	L	SCREW
506 34 64-01	M	SCREW	732 21 16-01	B	NUT
506 34 70-02	C	AIR FILTER	734 48 80-01	L	WASHER
506 34 76-01	N	COMPRESSION SPRING	735 31 08-00	N	CIRCLIP
506 34 90-01	L	SEALING	735 31 28-10	BMN	CIRCLIP
506 34 91-01	J	BRACKET ASSY	737 44 13-00	G	CIRCLIP
506 35 15-02	N	DRIVE SHAFT	738 88 10-01	N	LUBRICATION NIPPLE
506 35 18-06	M	LEVER	740 42 04-00	M	O-RING
506 35 19-02	MN	WEAR PROTECTION	740 42 05-00	L	O-RING
506 35 20-02	N	GUIDE ROLLER	740 42 24-00	N	O-RING
506 35 21-02	M	SUPPORT ROLLER	740 43 13-00	E	O-RING
506 35 22-04	L	SPRAY GUARD	740 48 20-03	C	O-RING
506 35 23-03	N	GEAR WHEEL ASSY	740 48 20-12	N	O-RING
506 35 27-01	L	PROTECTIVE SPRING	740 48 25-02	N	O-RING
506 35 52-01	Q	TOOL			
506 36 36-01	Q	L SPANNER			

A K950 RING

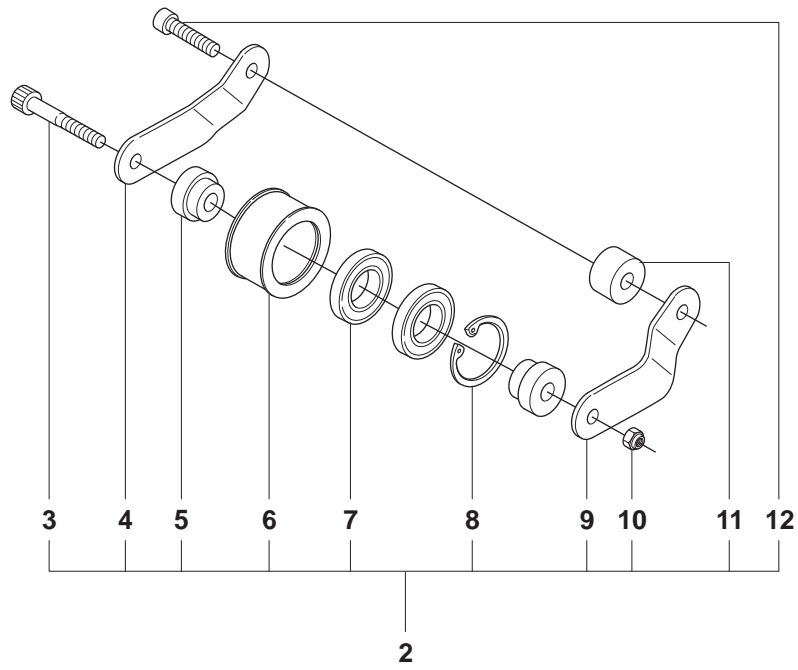
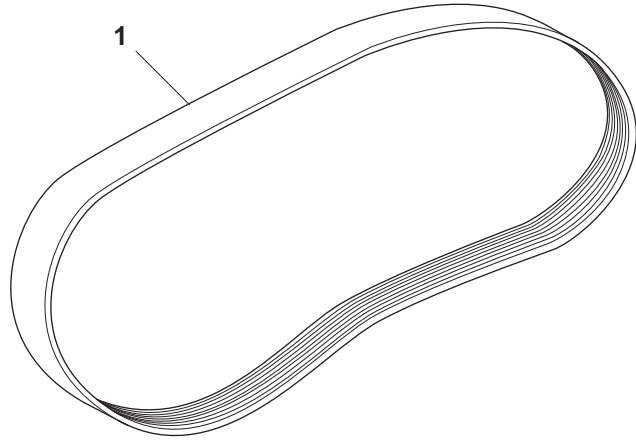
 Husqvarna



Page A
K950 Ring

Pos.	Part No.	Description	Quantity	Notes
1	506 28 09-02	BELT GUARD	1	Incl. 2, 3
2	544 87 25-01	LABEL	1	
3	503 20 34-19	SCREW	4	
4	503 70 15-01	CLUTCH ASSY	1	Incl. 5
5	503 14 51-01	CLUTCH SPRING	3	
6	506 28 01-01	GEAR WHEEL ASSY	1	Incl. 7
7	503 25 38-01	NEEDLE BEARING	1	
8	506 28 59-01	SPACING SLEEVE	1	

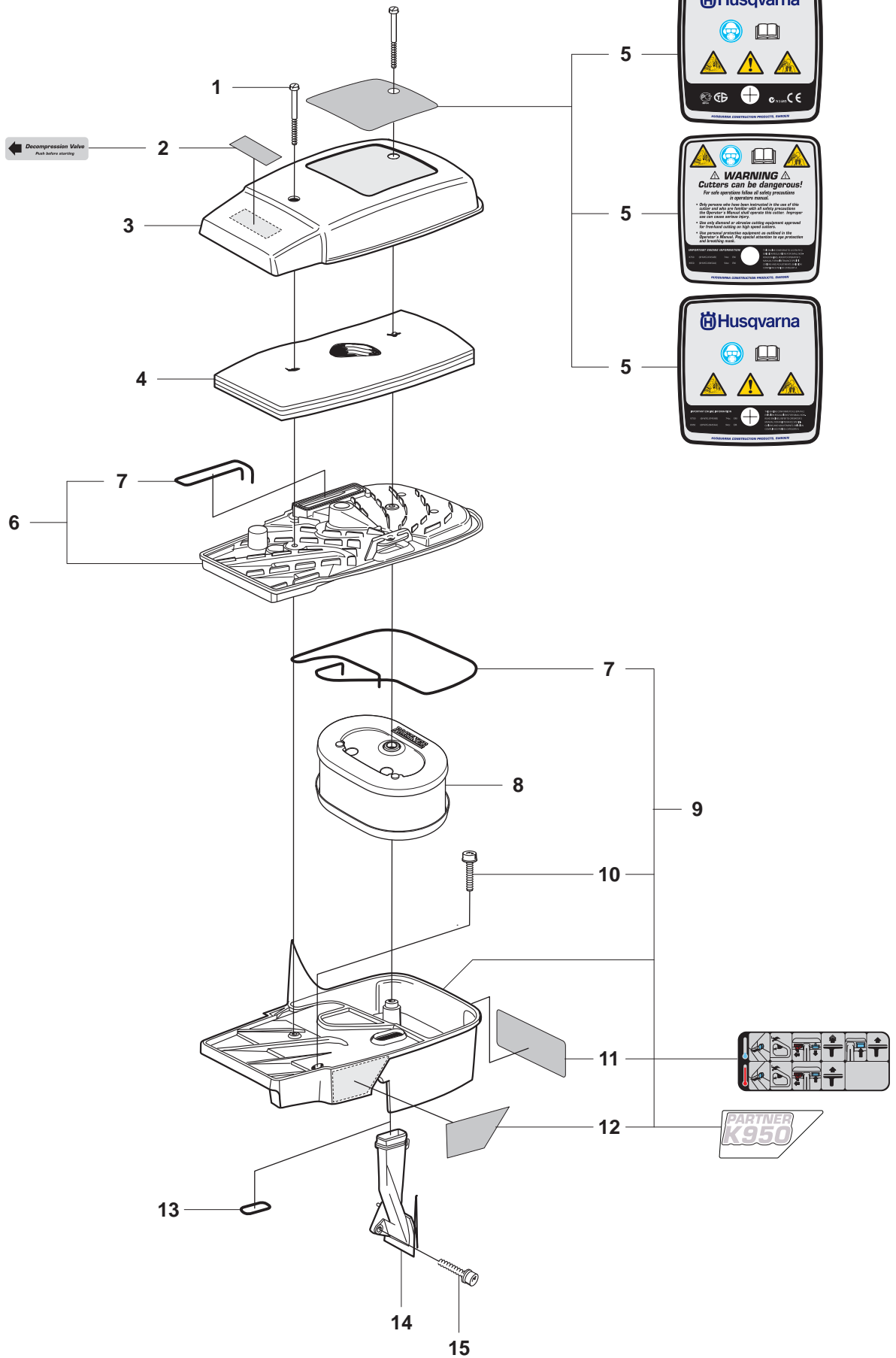
B K950 RING



Page B
K950 Ring

Pos.	Part No.	Description	Quantity	Notes
1	506 29 67-01	BELT	1	
2	506 28 06-02	BELT TENSIONER ASSY	1	Incl. 3, 4, 5, 6, 7, 8, 9, 10, 11, 12
3	725 53 78-55	SCREW	1	
4	506 33 53-02	LEVER	1	
5	506 33 52-01	SPACER	2	
6	506 33 51-01	ROLLER	1	
7	503 25 24-01	BALL BEARING	2	
8	735 31 28-10	CIRCLIP	1	
9	506 33 53-01	LEVER	1	
10	732 21 16-01	NUT	1	
11	506 33 54-01	SPACER	1	
12	725 53 72-55	SCREW	1	

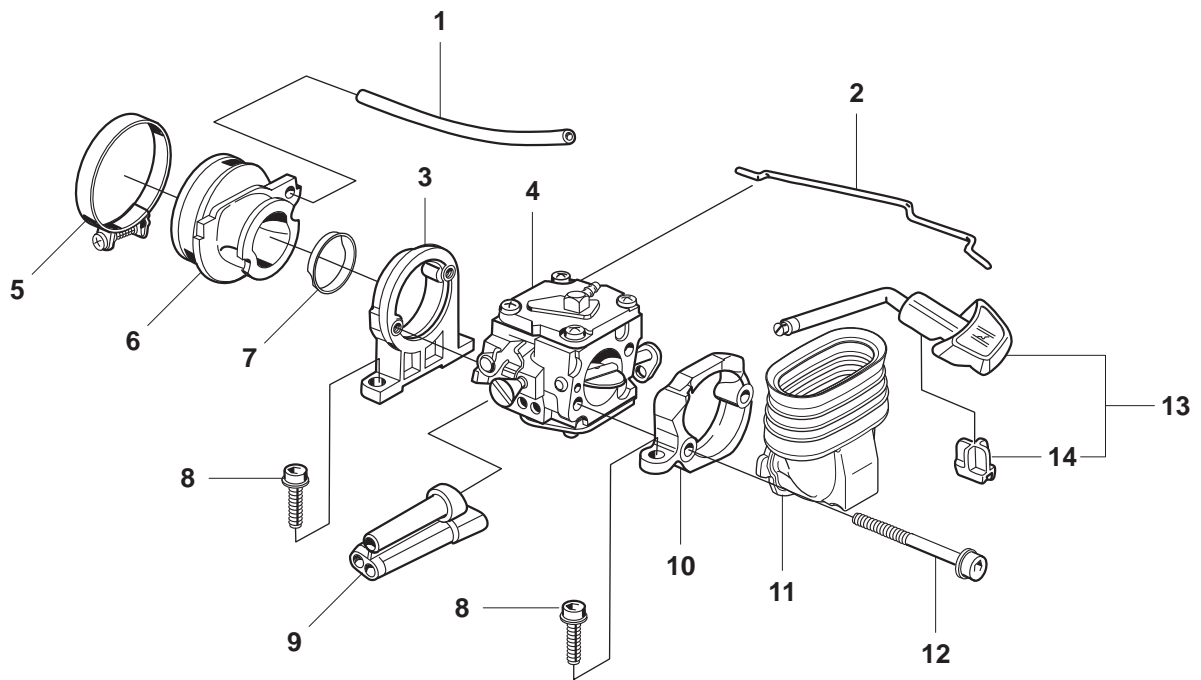
C K950 RING



Page C
K950 Ring

Pos.	Part No.	Description	Quantity	Notes
1	503 20 34-42	SCREW	2	
2	544 87 46-01	LABEL	1	
3	506 22 17-02	AIR FILTER COVER	1	
4	506 23 19-01	PREFILTER	1	
5	544 87 44-01	LABEL	1	EPA USA
5	544 87 44-02	LABEL	1	CE
5	544 87 44-03	LABEL	1	EPA Canada
6	506 22 18-15	FILTER BOTTOM	1	Incl. 7
7	506 28 39-30	SEALING	2	
8	506 34 70-02	AIR FILTER	1	
9	544 89 14-03	CYLINDER COVER ASSY	1	Incl. 7, 10, 11, 12
10	503 20 02-30	SCREW	3	
11	506 24 39-02	LABEL	1	
12	544 89 07-05	LABEL	1	
13	740 48 20-03	O-RING	1	
14	506 22 94-01	AIR NOZZLE	1	
15	503 20 02-16	SCREW	1	

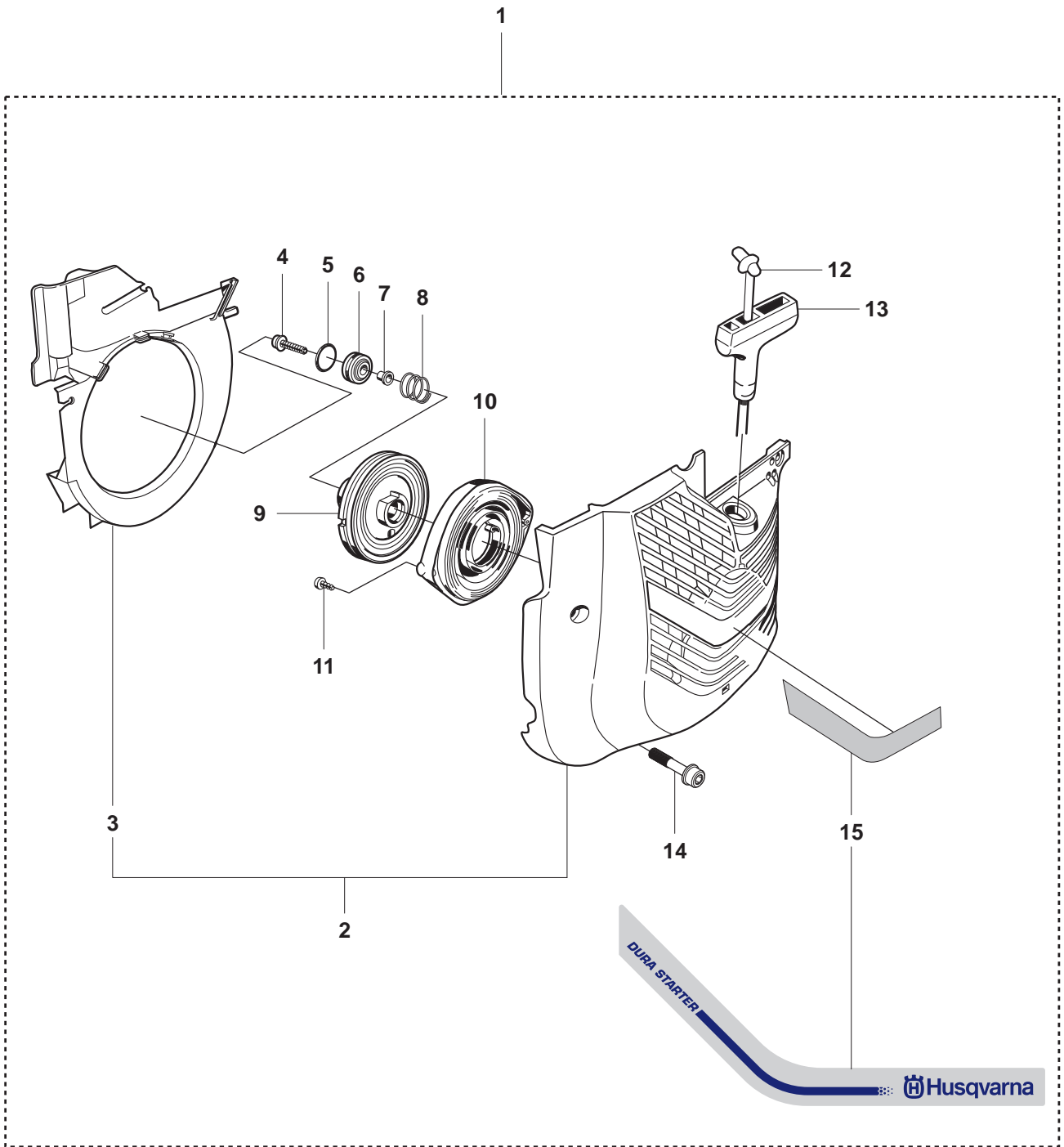
D K950 RING



Page D
K950 Ring

Pos.	Part No.	Description	Quantity	Notes
1	503 40 06-07	IMPULSE HOSE	1	
2	506 22 31-01	THROTTLE WIRE	1	
3	506 13 35-01	CARBURETTOR BRACKET	1	
4	503 28 04-02	CARBURETTOR	1	HS 282-A
5	503 56 00-02	HOSE CLAMP	1	
6	506 22 19-01	INLET PIPE	1	
7	503 67 80-01	SUPPORT SLEEVE	1	
8	503 20 02-16	SCREW	2	
9	506 23 12-01	CHISEL GUIDE	1	
10	506 22 39-01	FLANGE	1	
11	506 36 52-01	INLET BEND	1	
12	503 20 02-55	SCREW	2	
13	506 23 20-11	CHOKE	1	
14	506 27 25-01	WEAR PROTECTION	1	

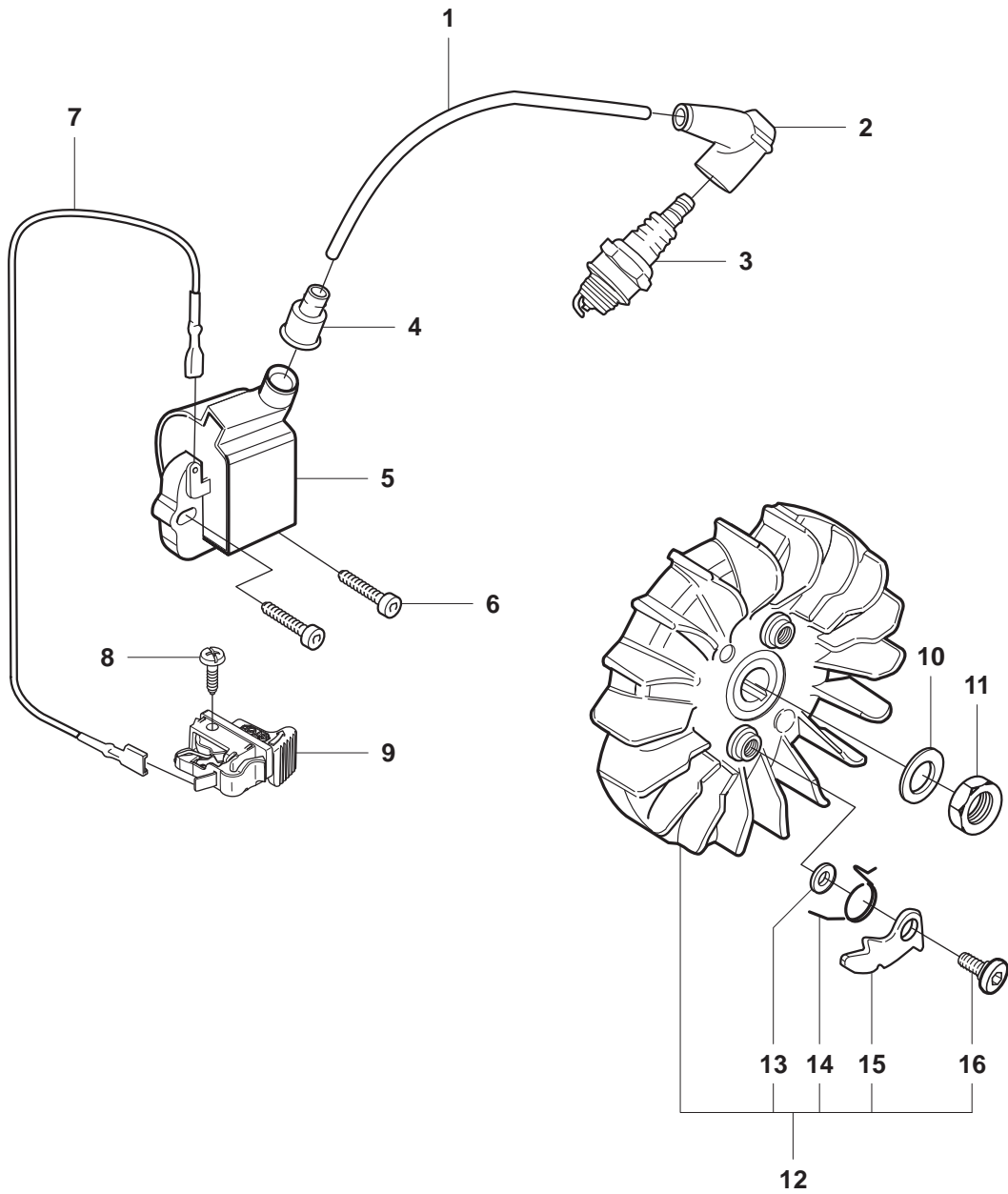
E K950 RING



Page E
K950 Ring

Pos.	Part No.	Description	Quantity	Notes
1	506 23 59-11	STARTER	1	Incl. 2 -15
2	506 33 72-03	STARTER COVER	1	Incl. 3
3	506 22 22-02	AIR CONDUCTOR	1	
4	503 21 67-22	SKRUV	1	
5	740 43 13-00	O-RING	1	
6	506 25 14-01	RECOIL SPRING	1	
7	506 26 31-01	SPACING SLEEVE	1	
8	506 25 30-01	GROMMET	1	
9	506 25 81-02	COMPRESSION SPRING	1	
10	506 25 89-01	STARTER PULLEY	1	
11	503 21 28-10	SCREW	2	
12	506 33 56-15	STARTER CORD	1	
12	506 33 56-50	STARTER CORD	1	50 m. coil
13	503 12 79-01	STARTER HANDLE	1	
14	503 20 59-20	SCREW	4	
15	506 27 23-02	LABEL	1	

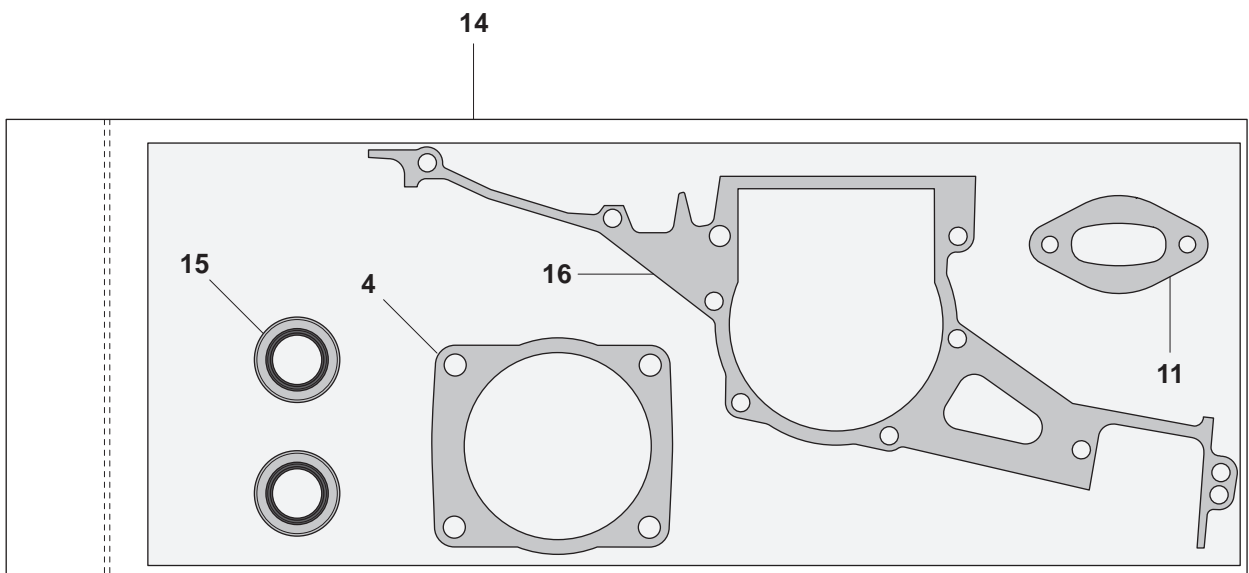
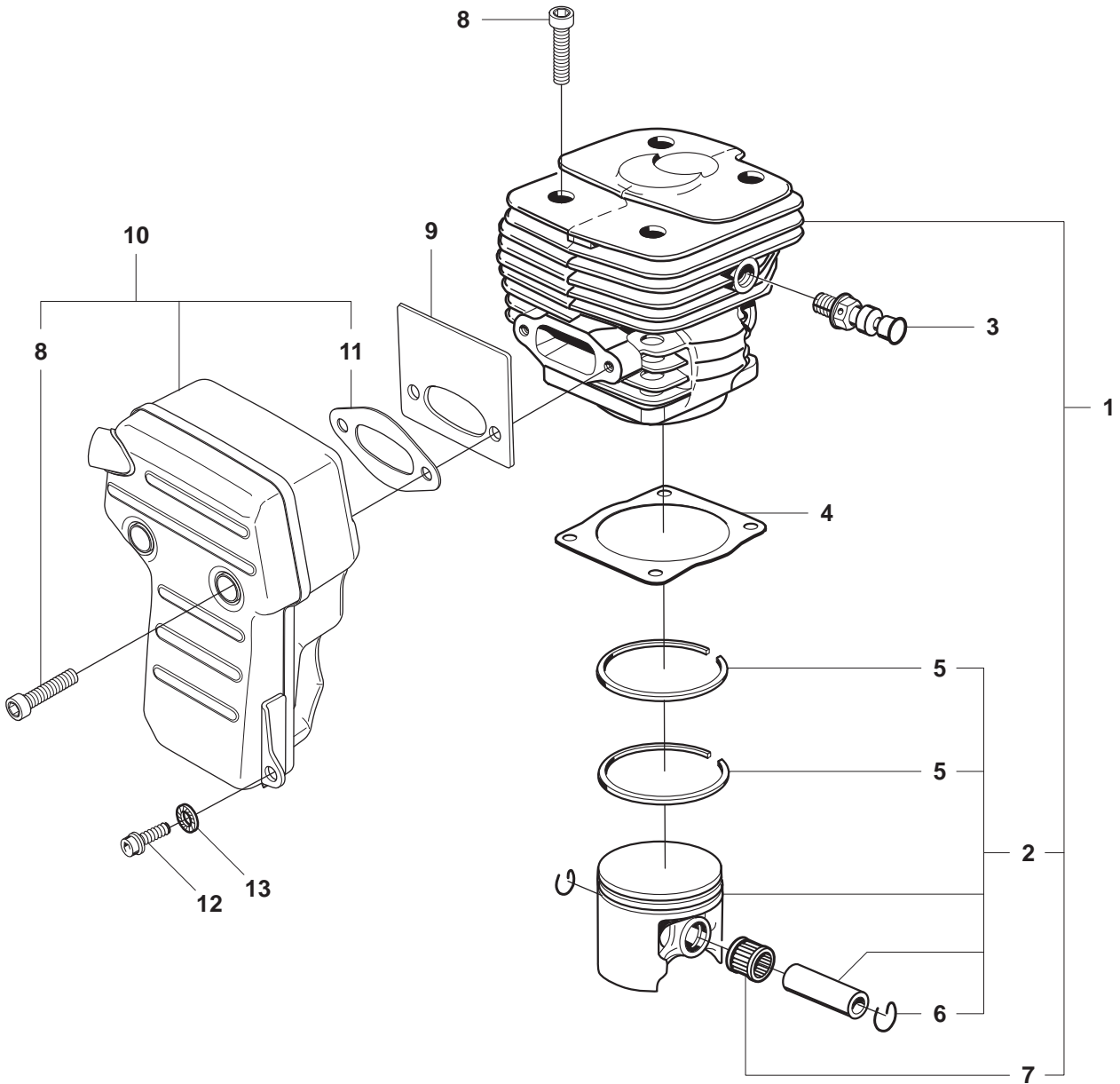
F K950 RING



Page F
K950 Ring

Pos.	Part No.	Description	Quantity	Notes
1	506 38 78-34	IGNITION CABLE	1	
2	501 48 54-02	SPARK PLUG CAP	1	
3	503 23 51-08	SPARK PLUG	1	RCJ 7Y
4	505 27 75-16	INSULATING CAP	1	
5	544 01 88-01	IGNITION SYSTEM	1	
6	503 20 25-20	SCREW	2	
7	501 83 98-01	CABLE	1	
8	503 21 28-06	SCREW	1	
9	506 31 86-02	STOP SWITCH	1	
10	503 23 01-01	WASHER STEEL	1	
11	503 22 10-11	NUT	1	
12	506 27 27-01	FLYWHEEL	1	Incl. 13, 14, 15, 16
13	503 23 00-42	WASHER STEEL	2	
14	501 63 48-01	SPRING	2	
15	501 67 32-03	PAWL	2	
16	501 81 99-01	SCREW	2	

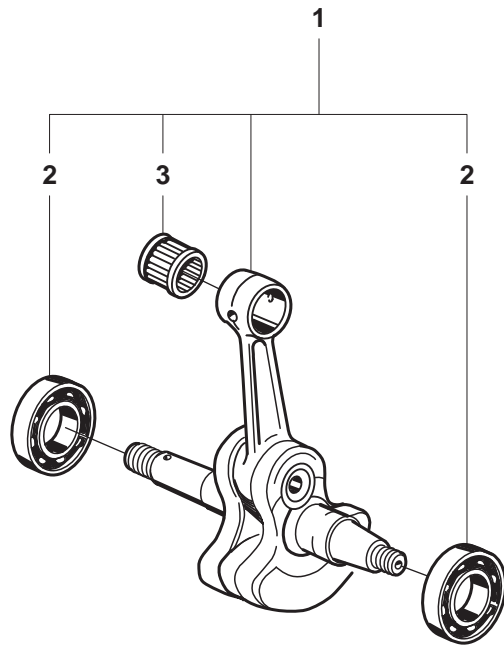
G K950 RING



Page G
K950 Ring

Pos.	Part No.	Description	Quantity	Notes
1	506 15 55-06	CYLINDER ASSY	1	Incl. 2, 7
2	506 15 56-02	PISTON ASSY	1	Incl. 5, 6
3	503 66 56-01	DECOMPRESSION VALVE	1	
4	506 15 82-01	CYLINDER BASE GASKET	1	Gasket kit 15
5	503 28 90-24	PISTON RING	2	
6	737 44 13-00	CIRCLIP	2	
7	503 25 61-01	NEEDLE BEARING	1	
8	725 53 72-55	SCREW	6	
9	506 16 91-01	COOLING PLATE	1	
10	506 37 28-02	MUFFLER	1	Incl. 8, 11
11	506 37 81-01	GASKET	1	Gasket kit 15
12	503 20 02-16	SCREW	1	
13	503 23 04-02	WASHER	1	
14	506 29 05-04	GASKET KIT	1	Incl. 4, 12, 15, 16
15	503 26 02-05	SEALING RING	2	
16	506 23 24-01	GASKET CRANKCASE	1	

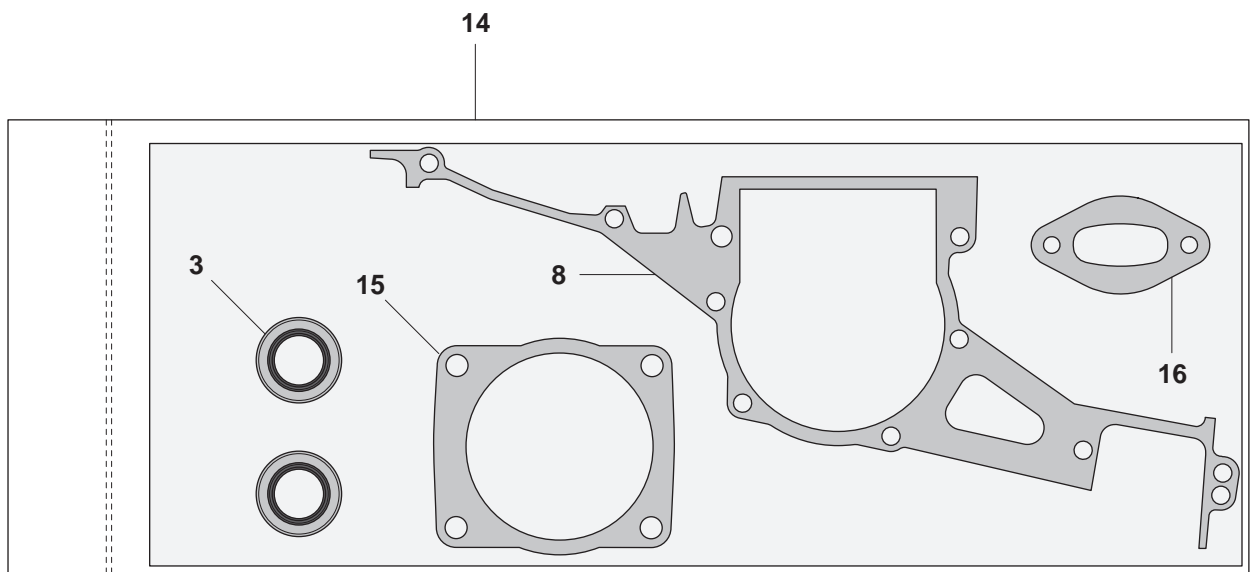
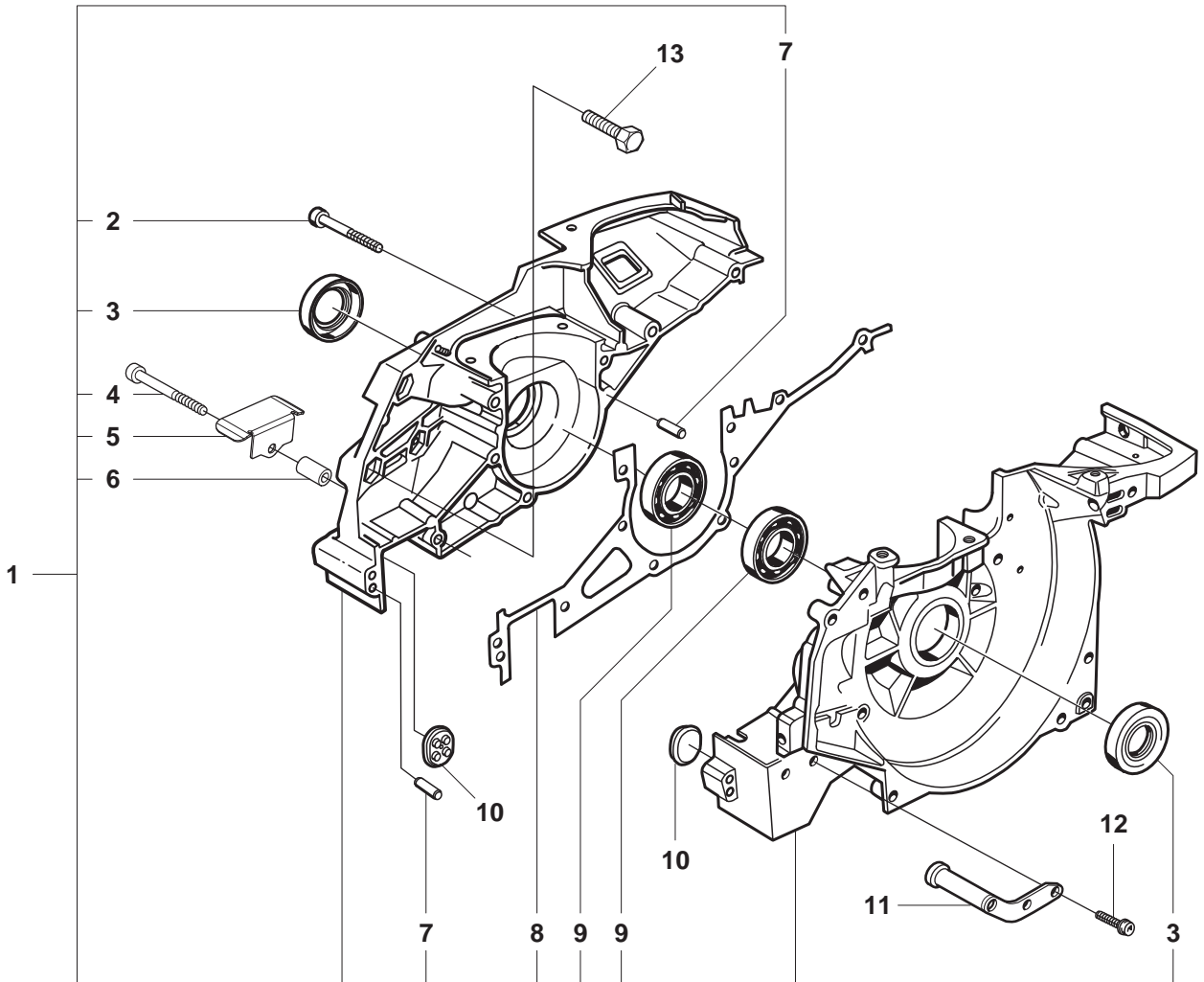
H K950 RING



Page H
K950 Ring

Pos.	Part No.	Description	Quantity	Notes
1	503 78 26-74	CRANKSHAFT ASSY	1	Incl. 2, 3
2	503 25 00-02	BALL BEARING	2	
3	503 25 61-01	NEEDLE BEARING	1	

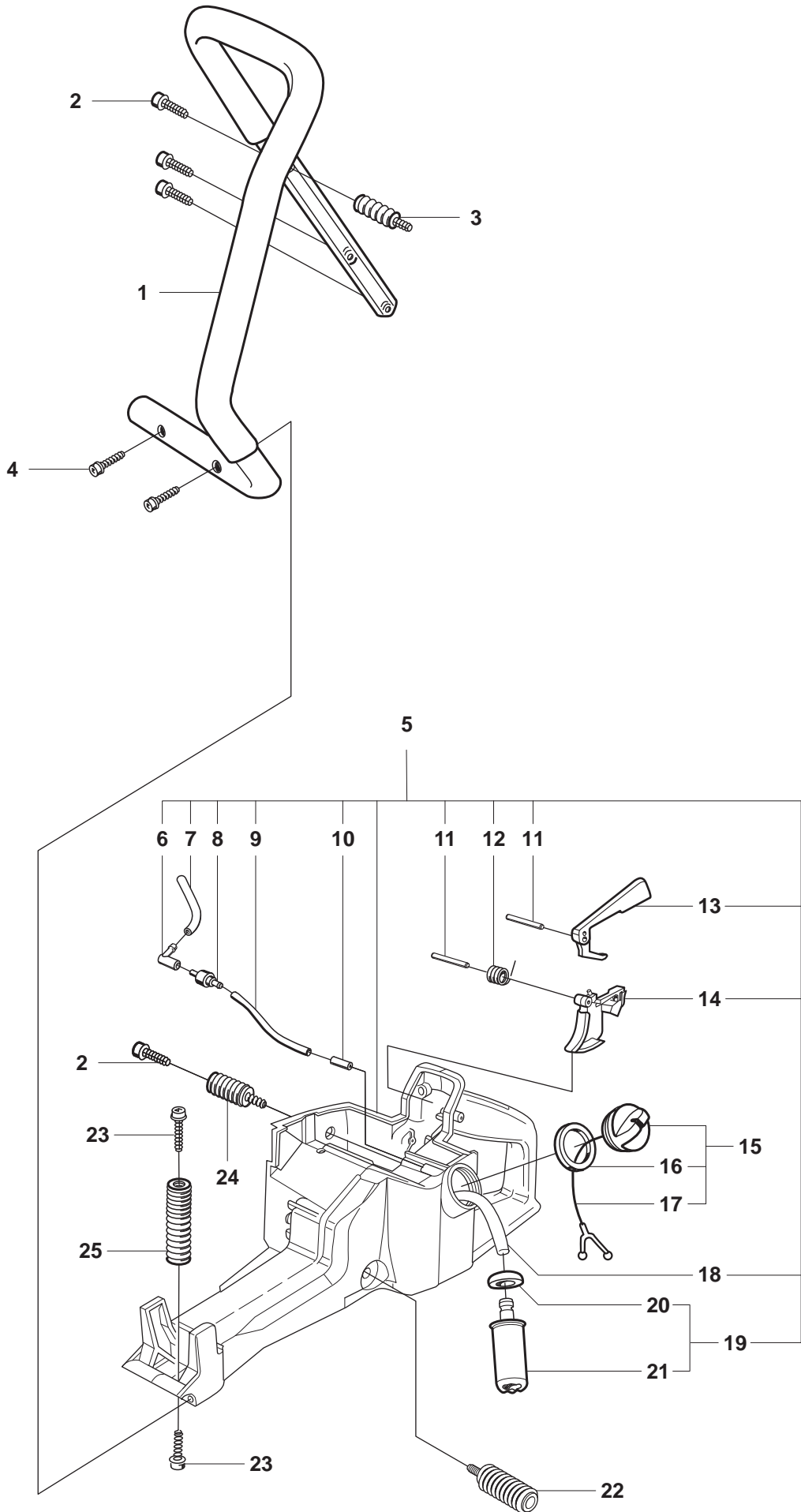
J K950 RING



Page J
K950 Ring

Pos.	Part No.	Description	Quantity	Notes
1	506 28 07-04	CRANKCASE	1	Incl. 2, 3, 4, 5, 6, 7, 8, 9
2	725 53 40-55	SCREW	6	
3	503 26 02-05	SEALING RING	2	Gasket kit 14
4	725 53 42-55	SCREW	1	
5	544 09 64-01	BELT GUIDE	1	
6	544 09 77-01	BUSHING	1	
7	720 13 07-10	PIN	2	
8	506 23 24-01	GASKET CRANKCASE	1	Gasket kit 14
9	503 25 00-02	BALL BEARING	2	
10	506 27 31-01	BUFFER	2	
11	506 34 91-01	BRACKET ASSY	1	
12	503 20 07-16	SCREW	2	
13	506 03 32-02	SCREW	1	
14	506 29 05-04	GASKET KIT	1	
15	506 15 82-01	CYLINDER BASE GASKET	1	
16	506 37 81-01	GASKET MUFFLER	1	

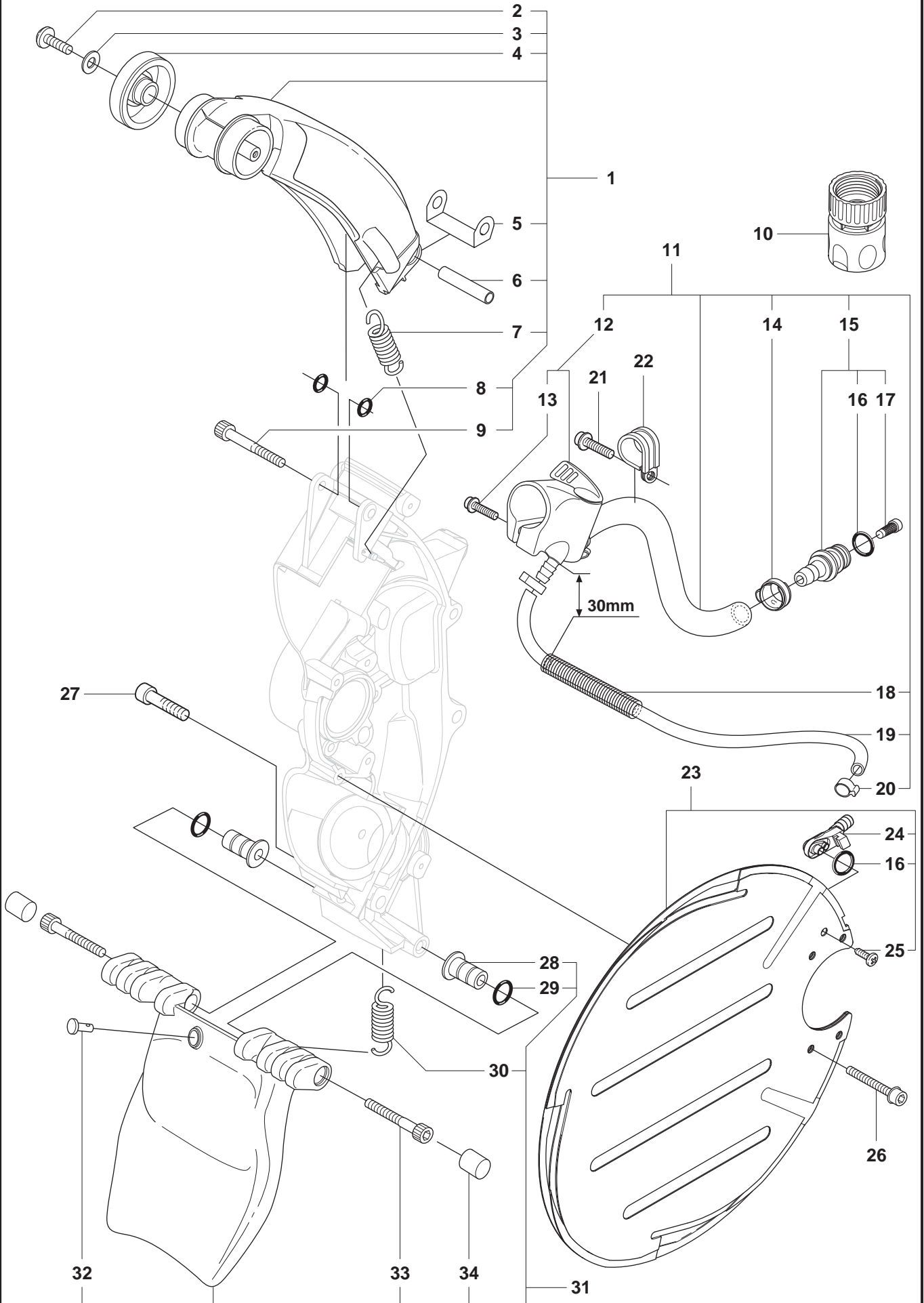
K K950 RING



Page K
K950 Ring

Pos.	Part No.	Description	Quantity	Notes
1	506 29 78-02	HANDLE	1	
2	503 21 05-22	SCREW	4	
3	506 28 53-01	VIB.INSULATOR	1	
4	503 21 05-45	SCREW	2	
5	506 21 68-13	FUEL TANK	1	Incl. 6 - 15, 18, 19
6	503 45 46-01	CONNECTION BEND	1	
7	501 76 83-05	FUEL HOSE	1	
8	506 23 61-01	TANK VENT	1	
9	501 76 83-31	FUEL HOSE	1	
10	506 28 95-01	NIPPLE	1	
11	720 12 40-20	PARALLEL PIN	2	
12	506 22 29-01	SPRING THROTTLE TRIG	1	
13	506 22 28-02	THROTTLE LOCKOUT	1	
14	506 22 27-02	THROTTLE TRIGGER	1	
15	506 25 59-03	TANK CAP ASSY	1	Incl. 16, 17
16	506 29 21-01	GASKET	1	
17	503 57 89-01	TANK CAP	1	
18	503 57 76-02	FUEL HOSE	1	
19	506 26 41-11	FUEL FILTER	1	Incl. 20, 21
20	506 27 11-01	HOSE CLAMP	1	
21	506 26 41-01	FUEL FILTER	1	
22	544 38 31-01	SPRING	1	
23	503 20 02-16	SCREW	2	
24	506 23 75-01	VIB.INSULATOR	1	
25	503 46 85-01	AV-ELEMENT	1	

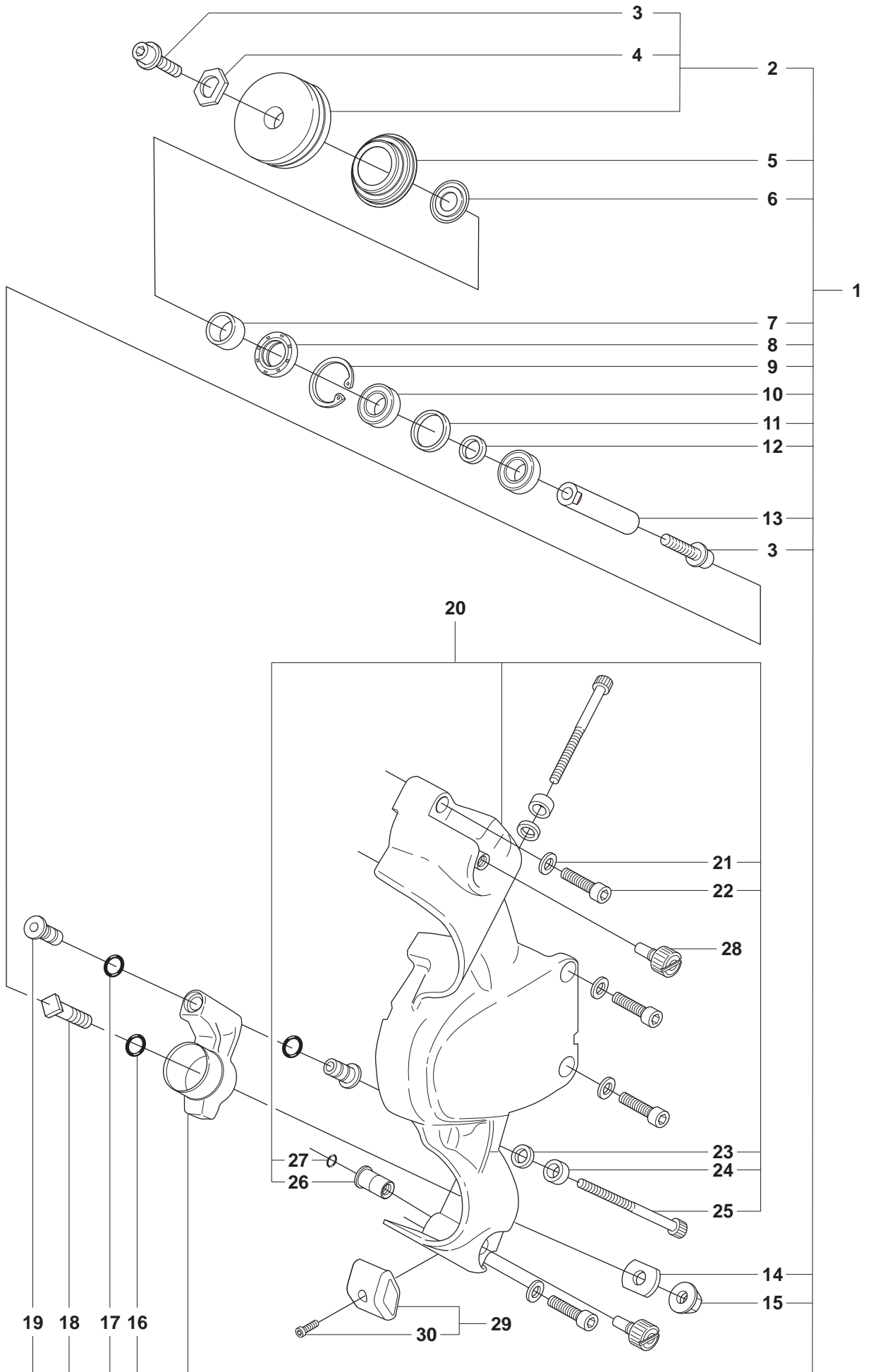
L K950 RING



Page L
K950 Ring

Pos.	Part No.	Description	Quantity	Notes
1	506 24 69-04	BLADE GUARD	1	Incl. 2, 3, 4, 5, 6, 7, 8, 9
2	503 21 46-01	SCREW	2	
3	734 48 80-01	WASHER	2	
4	506 26 22-02	WHEEL	2	
5	506 31 28-01	COVER PLATE	1	
6	506 31 45-01	SPACER TUBE	1	
7	506 29 23-01	DRAW SPRING	1	
8	503 26 30-25	O-RING	2	
9	725 53 79-56	SCREW	1	
10	503 26 60-02	COUPLER	1	
11	544 00 31-04	WATER HOSE KIT	1	Incl. 12, 14, 15, 18, 19, 20
12	506 31 77-31	VALVE ASSY	1	Incl 13
13	503 21 06-19	SCREW	2	
14	506 09 56-02	HOSE CLAMP	2	
15	506 29 57-01	NIPPLE	1	Incl. 16, 17
16	503 26 30-21	O-RING	2	
17	506 29 88-01	FILTER	1	
18	506 35 27-01	PROTECTIVE SPRING	1	
19	506 09 58-04	HOSE	1	
20	506 09 56-03	HOSE CLAMP	2	
21	503 21 05-22	SCREW	1	
22	502 41 22-01	HOSE CLAMP	1	
23	506 38 33-01	WATER BLADE	1	Incl. 16, 25, 26
24	506 38 29-01	NIPPLE	1	
25	729 52 89-71	SCREW	1	
26	725 53 31-56	SCREW	4	
27	725 52 95-55	SCREW	1	
28	506 33 49-02	SPACER TUBE	2	
29	740 42 05-00	O-RING	2	
30	506 33 95-01	DRAW SPRING	1	
31	506 35 22-04	SPRAY GUARD	1	Incl. 28, 29, 30, 32, 33 ,34
32	506 33 96-01	BOLT	1	
33	725 53 76-56	SCREW	2	
34	506 34 90-01	SEALING	2	

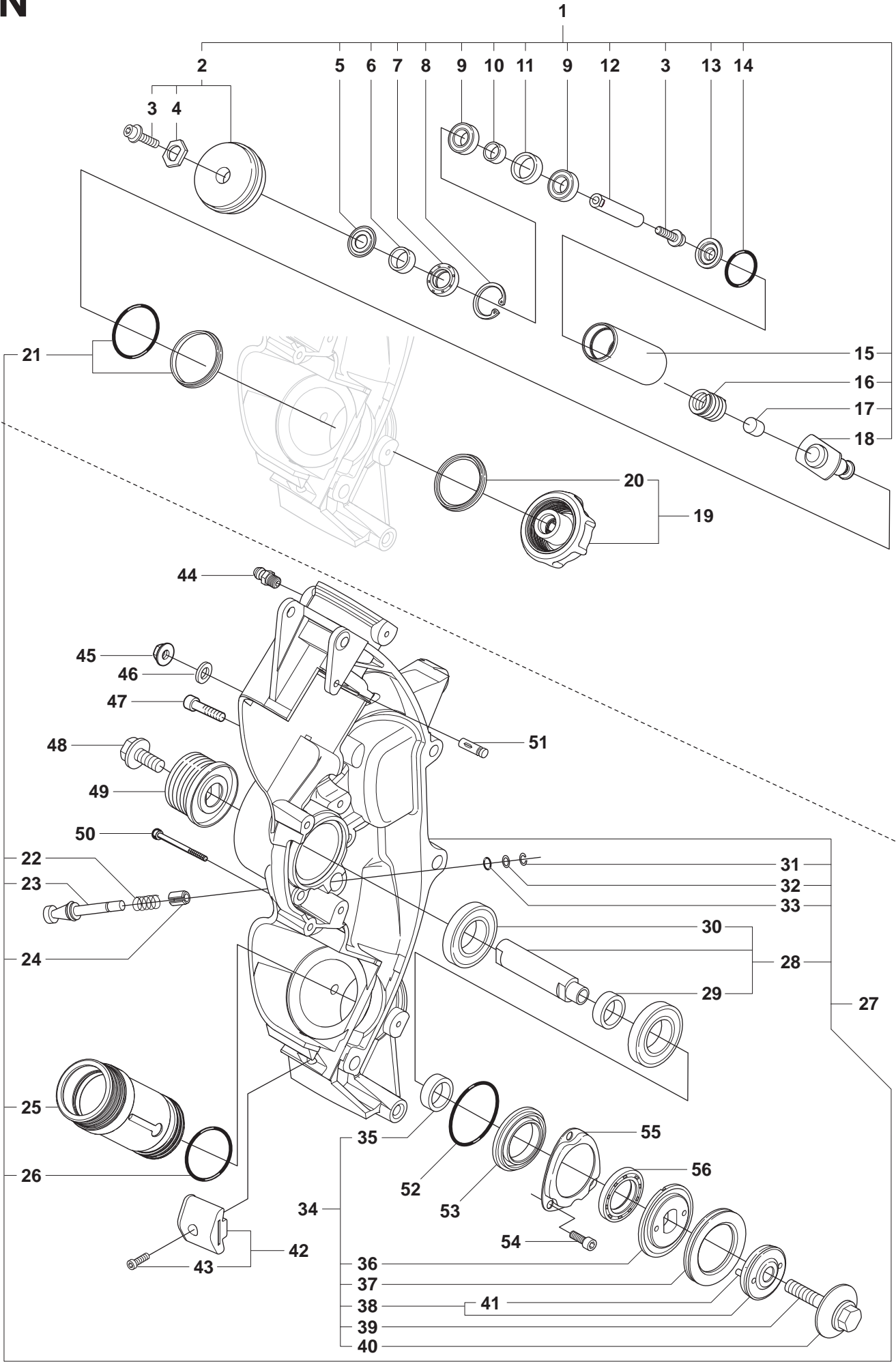
M K950 RING



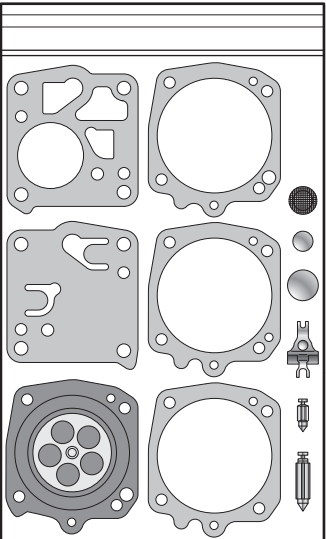
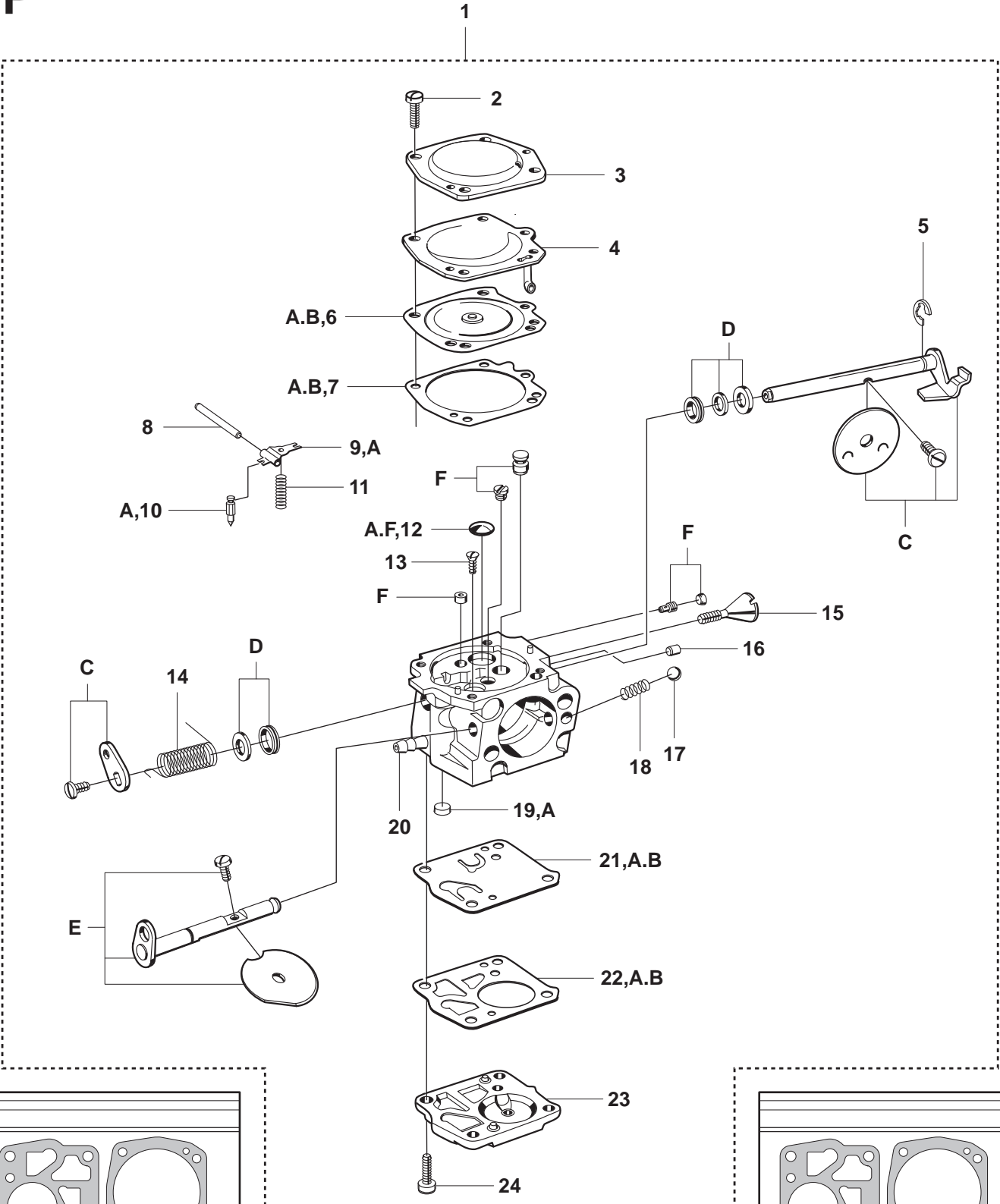
Page M
K950 Ring

Pos.	Part No.	Description	Quantity	Notes
1	506 35 18-06	LEVER	1	Incl. 2, 5 - 19
2	506 35 21-02	SUPPORT ROLLER	2	Incl. 3, 4
3	503 20 13-18	COLLAR SCREW	2	
4	506 30 34-01	DRIVER	1	
5	506 39 95-01	SEALING	1	
6	506 32 17-01	WASHER	1	
7	506 37 93-02	SPACING SLEEVE	1	
8	503 26 20-01	SEALING RING	1	
9	735 31 28-10	CIRCLIP	1	
10	503 25 24-01	BALL BEARING	2	
11	506 31 68-02	SPACING SLEEVE	1	
12	506 30 33-02	SPACING SLEEVE	1	
13	506 30 29-02	SHAFT	1	
14	506 34 63-01	WASHER	2	
15	503 22 00-01	NUT FLANGE	2	
16	503 26 30-08	O-RING	2	
17	503 26 30-26	O-RING	4	
18	506 34 64-01	SCREW	2	
19	506 33 49-03	SPACER TUBE	4	
20	506 28 03-05	COVER	1	Incl. 21, 22, 23, 24, 25, 26, 27
21	503 23 04-03	WASHER	4	
22	503 20 54-35	SCREW	4	
23	506 37 63-01	SPACER	2	
24	506 37 64-01	RUBBER BUSHING	2	
25	725 53 81-56	SCREW	2	
26	506 33 08-01	THREAD BUSHING	2	
27	740 42 04-00	O-RING	2	
28	506 30 14-02	ADJUSTING SCREW	2	
29	506 35 19-02	WEAR PROTECTION	1	
30	725 53 29-55	SCREW	1	

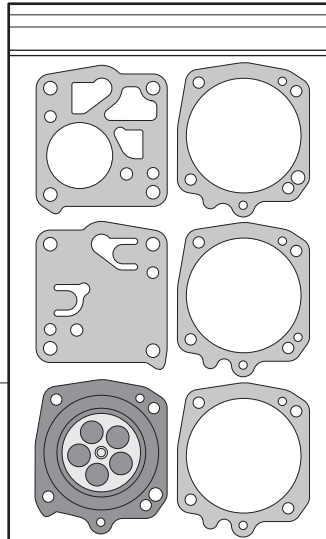
N K950 RING



Pos.	Part No.	Description	Quantity	Notes
1	506 38 23-01	BEARING CAGE	2	Incl. 2, 5 - 18
2	506 35 20-02	GUIDE ROLLER	1	Incl. 3, 4
3	503 20 13-18	COLLAR SCREW	1	
4	506 30 34-01	DRIVER	1	
5	506 31 69-01	DUST COVER	1	
6	506 37 93-02	SPACING SLEEVE	1	
7	503 26 20-01	SEALING RING	1	
8	735 31 28-10	CIRCLIP	1	
9	503 25 24-01	BALL BEARING	2	
10	506 30 33-01	SPACING SLEEVE	1	
11	506 31 68-01	SPACING SLEEVE	1	
12	506 30 29-01	SHAFT	1	
13	506 38 11-01	CAP	1	
14	740 48 20-12	O-RING	1	
15	506 38 09-01	BEARING CAGE	1	
16	506 34 76-01	COMPRESSION SPRING	1	
17	506 30 35-01	BUMPER	1	
18	506 38 97-01	PIN	1	
19	506 38 22-02	KNOB	1	Incl. 20
20	506 33 65-01	SEALING RING	1	
21	506 34 39-01	WIPER	2	
22	506 25 73-01	COMPRESSION SPRING	1	
23	506 32 80-01	LOCKING BUTTON	1	
24	721 44 06-00	PIN	1	
25	544 07 76-01	SLEEVE	2	
26	740 48 25-02	O-RING	2	
27	506 38 90-03	CHASSIE ASSY	1	Incl. 21 - 26, 28, 31, 32, 33
28	506 35 15-02	DRIVE SHAFT	1	Incl. 29, 30
29	506 37 50-02	SPACER	1	
30	503 25 21-01	BALL BEARING	2	
31	735 31 08-00	CIRCLIP	1	
32	503 23 01-12	WASHER STEEL	1	
33	503 26 30-22	O-RING	1	
34	506 35 23-03	GEAR WHEEL ASSY	1	Incl. 35, 36, 37, 38, 39, 40
35	506 37 49-01	SLEEVE	1	
36	506 37 46-02	FLANGE WASHER	1	
37	506 17 83-01	GEAR WHEEL	1	
38	506 31 22-01	DRIVER	1	Incl. 41
39	506 13 96-01	COLLAR SCREW	1	
48	503 20 00-45	SCREW COLLAR	1	
49	506 27 75-01	PULLEY	1	
50	503 20 03-80	SCREW	1	
51	721 12 52-70	PIN	1	
52	740 42 24-00	O-RING	1	
53	506 37 48-01	SEALING HOLDER	1	
54	725 53 27-55	SCREW	3	
55	506 37 47-01	SEALING COLLAR	1	
56	503 26 21-01	SEALING RING	1	



25,A



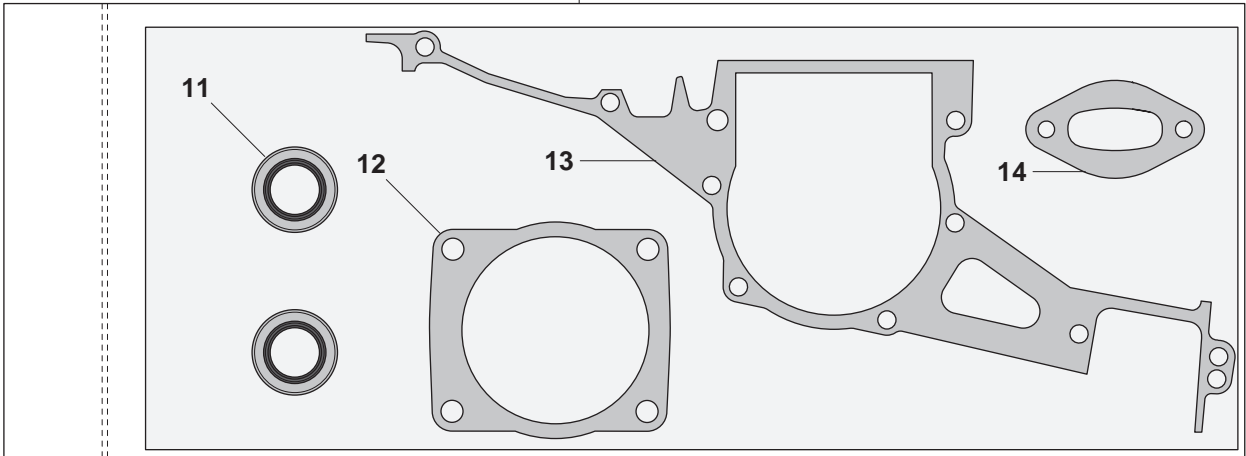
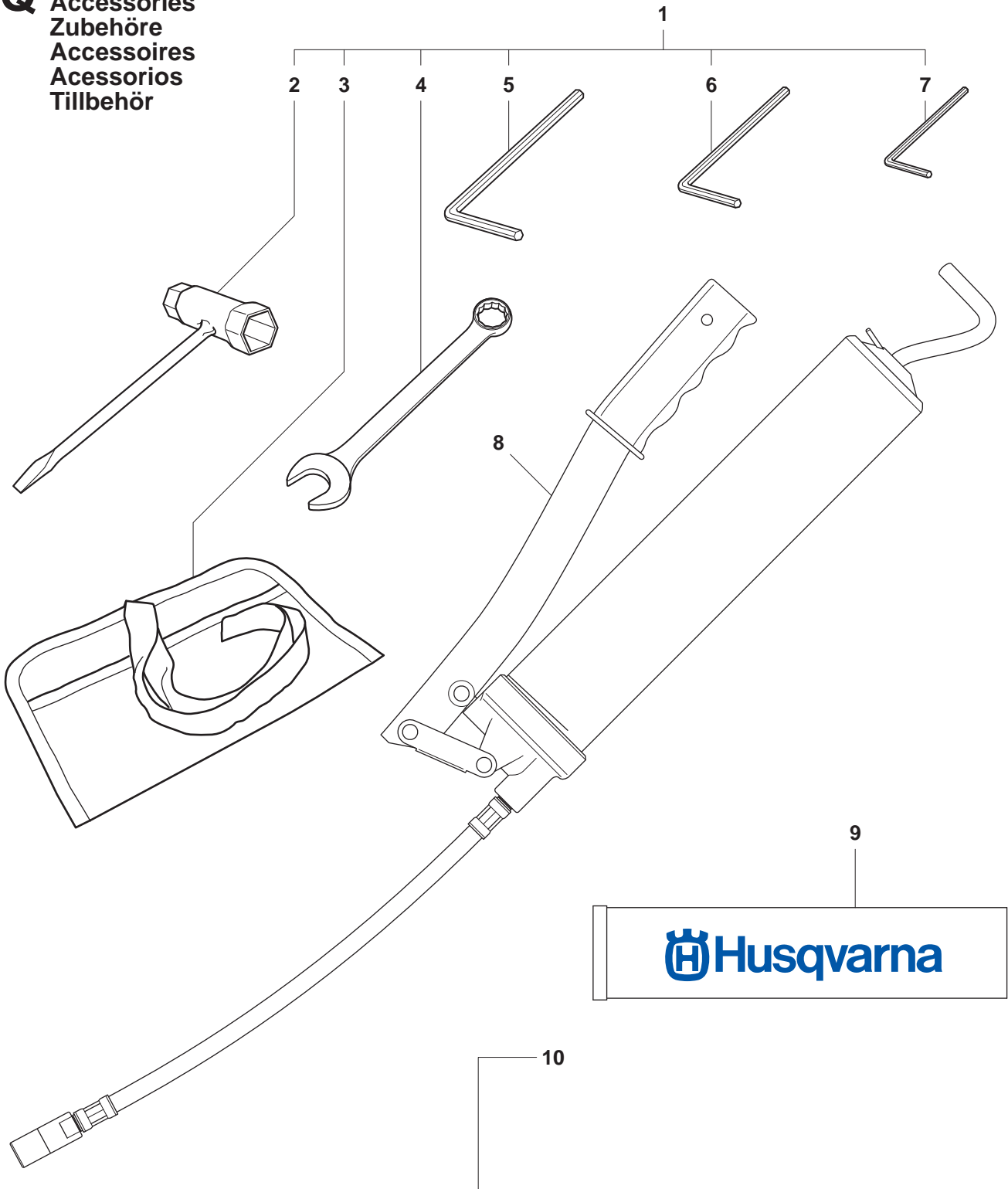
26,B

- 27,C
- 28,D
- 29,E
- 30,F

Page P
K950 Ring

Pos.	Part No.	Description	Quantity	Notes
1	503 28 04-02	CARBURETTOR	1	Incl. 2-24
2	506 27 14-01	MET.RETENTION SCREW	4	
3	503 53 36-01	DIAPHRAGM COVER	1	
4	506 25 64-02	INSERT	1	
5	501 82 18-01	THROTTLE SH."E"RING	1	
6	506 25 85-01	DIAPHRAGM	1	A, B
7	506 25 84-01	DIAPHRAGM	1	A, B
8	501 22 21-01	PIN RETAINING SCREW	1	
9	501 22 20-01	LEVER	1	A
10	505 31 65-50	INLET NEEDLE	1	
11	501 22 25-01	SPRING	1	A
12	501 22 03-01	WELCH PLUG(LARGE)	1	A, F
13	501 48 52-01	PIN RETAINING SCREW	1	
14	506 28 63-01	SPRING THROTT.RETURN	1	
15	503 57 87-01	IDLE SPEED SCREW	1	
16	503 57 86-01	SPEED SCREW RET BALL	1	
17	501 22 04-01	CHOKE FRICTION BALL	1	
18	501 22 05-01	SPRING	1	
19	503 98 82-01	SCREEN	1	
20	503 53 39-01	TUBE CONNECTOR	1	A
21	501 22 12-01	FUEL PUMP DIAPHRAM	1	A, B
22	501 22 13-01	FUEL PUMP GASKET	1	A, B
23	506 28 68-01	FUEL PUMP COVER	1	
24	501 22 15-01	SCREW	4	
25	506 27 63-01	REPAIR PARTS KIT	1	Incl. 6, 7, 9, 11, 12, 20, 21, 22
26	506 25 88-01	DIAPHRAGM	1	Incl. 6, 7, 21, 22
27	506 29 09-01	THROTTLE SHAFT(KIT)	1	Kit C
28	506 29 10-01	SEALING, KIT	1	Kit D
29	506 29 11-01	CHOKE SHAFT (KIT)	1	Kit E
30	506 29 13-01	JET (KIT)	1	Kit F

Q K950 RING
Accessories
Zubehöre
Accessoires
Accesorios
Tillbehör



Page Q
K950 Ring

Pos.	Part No.	Description	Quantity	Notes
1	506 36 38-02	TOOL	1	Incl. 2, 3, 4, 5, 6, 7
2	501 69 17-02	COMBINATION TOOL	1	13-19mm
3	501 19 22-01	TOOL CASING	1	
4	506 35 52-01	TOOL	1	19mm
5	506 36 36-01	L SPANNER	1	Allenkey 6mm
6	506 38 37-02	S SPANNER	1	Allenkey 5mm
7	502 21 58-01	L SPANNER	1	Allenkey 4mm
8	506 38 49-02	LUBRICATION GUN	1	
9	544 08 04-02	GREASE TUBE	1	
10	506 29 05-04	GASKET KIT	1	
11	503 26 02-05	SEALING RING	2	
12	506 15 82-01	CYLINDER BASE GASKET	1	
13	506 23 24-01	GASKET	1	
14	506 37 81-01	GASKET MUFFLER	1	