

RVL 200

RVL 300

Reservdelar

Spare parts

Ersatzteile

Pieces de rechange

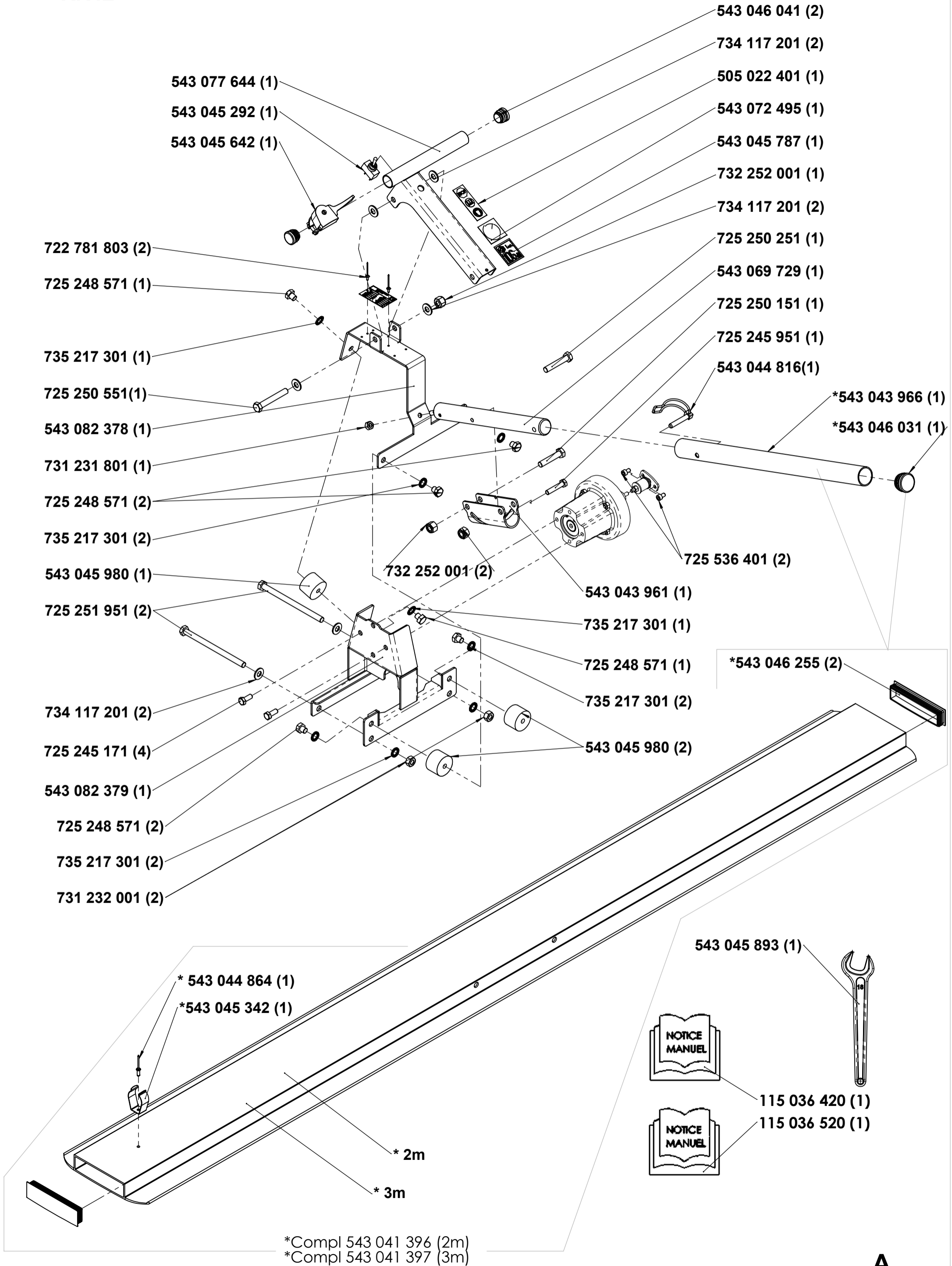
Piezas de repuesto

Ricambi

Peças sobresselente

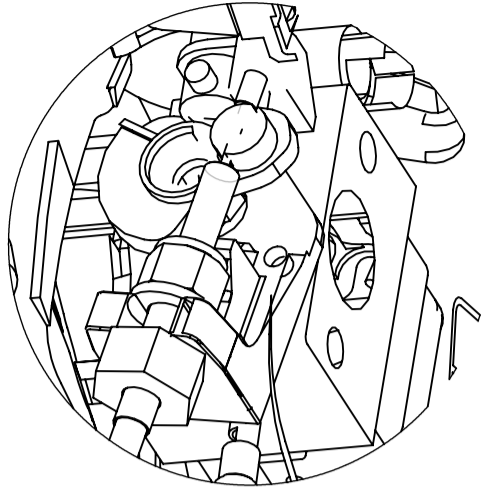
115036420	A	MANUAL, OM	731232001	A	Nut, M10
155036520	A	MANUAL, IPL	732211601	B	Nut, Nylock M6
502619501	B	ENGINE GX25 HUSQVARNA EU	732252001	A	Nut, Nylock M10
502619502	B	ENGINE GX25 HUSQVARNA AUS	734115201	B	Washer M6
502620401	B	ADJUSTING SCREW	734115441	B	Washer, Large M6
503200003	B	SCREW HEX 5x12	734117201	A	Washer M10
505022401	A	STICKER, SECURITY	735217301	A	Washer, Lock M10
505022501	C	STICKER, BY HONDA	735314010	B	Circlips for bore Ø47
531008641	C	STARTER DEVICE	738220119	B	BALL BEARINGS 6201 2 RS
			738220419	B	BALL BEARINGS 6204 2 RS
531008728	C	CYLINDER COVER			
537311401	C	AIRCLEANER			
531008642	C	STARTER			
537311601	C	BUMPER			
542043735		OIL, 10w30			
543041396	A	SPARE BEAM 2M, WITH HANDLE			
543041397	A	SPARE BEAM 3M, WITH HANDLE			
543043961	A	U, OUTSIDE			
543043966	A	HANDLE			
543043967	B	TRAINER			
543044816	A	PIN CLIP D/8 LG 45			
543044864	A	RIVET, STAINLESS 4.8 x 9			
543045292	A	SWITCH			
543045342	A	SPRING COLLAR			
543045642	A	LEVER 17270 D25			
543045787	A	STICKER, NOISE 106DB			
543045893	A	KEY 17			
543045980	A	RUBBER SILENT BLOCK 40 x 28			
543045981	B	RUBBER SILENT BLOCK 20 x 20			
543046031	A	FEET PAD D35			
543046041	A	PAD D25			
543046255	A	RUBBER BLOCK 125/30/30			
543069729	A	ARM - DRILLING			
543072495	A	STICKER, DO NOT LIFT			
543075941	B	MACHINED RVL BLOCK			
543075944	B	VIBRATION DAMPER 20x30 GM 6x15			
543076971	B	VIBRATING AXLE GX 25			
543077017	B	WIRE LENGHT 160MM RVL			
543077018	B	WIRE LENGHT 240MM RVL			
543077019	B	WIRE SLEEVE 400MM RVL			
543077020	B	INNER CABLE LENGHT 500 MM			
543077386	B	VIBRATING BOX ASSY			
543077644	A	HANDLE CARRY			
543082378	A	STIRRUP			
543082379	A	MOTOR SUPPORT			
543850017	B	NYLON COLLAR 5x250			
722781803	A	RIVET 3,2			
725245171	A	Screw Hex 8x20-FT			
725245951	A	Screw Hex 8x40			
725248571	A	Screw Hex 10x10-FT			
725250151	A	Screw Hex 10x50			
725250251	A	Screw Hex 10x55			
725250551	A	Screw Hex 10x70			
725251951	A	Screw Hex 10x150			
725536401	A	Screw Inhex 6x10			
731231601	B	Nut, M6			
731231801	A	Nut, M8			

# R.V.L



R.V.L

HONDA GX 25



502 620 401 (EU-US)(1)  
502 620 402 (AUS) (1)

543 077 020(1)

732 251 601(1)

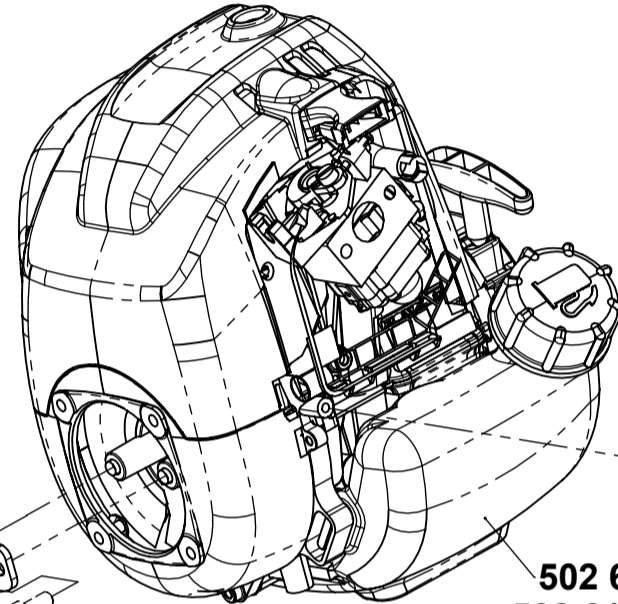
543 077 018(1)

734 115 201(1)

543 850 017(2)

543 077 017(1)

543 077 019(1)



\*543 043 967(1)

\*731 231 601(1)

\*734 115 441(1)

503 200 003 (1)

502 619 501 (EU)(1) [ C ]  
502 619 502 (AUS)(1) [ C ]

\*731 231 601(1)

\*543 075 944(4)

\*543 045 981(1)

\*734 115 441(2)

\*734 115 441(2)

\*543 075 941 (1)

\*731 231 601(4)

\*738220119(1)

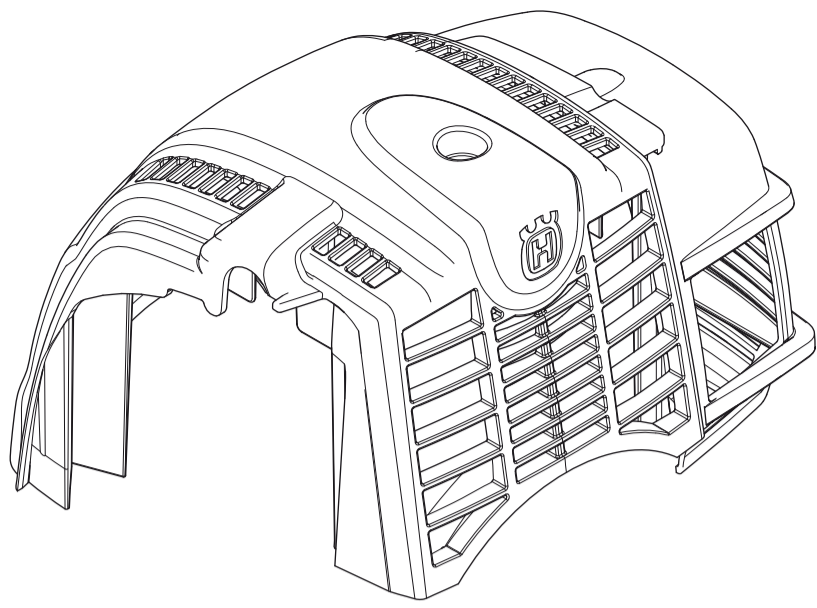
\*543 076 971(1)

\*738 220 419(1)

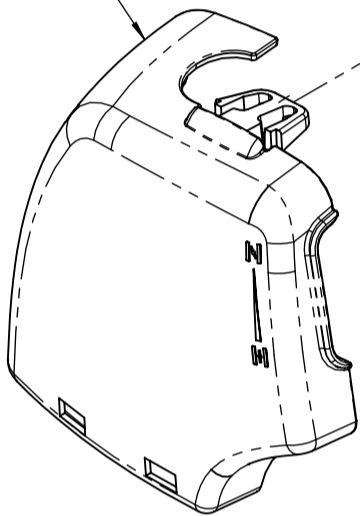
\*735314010(1)

\*Compl 543 077 386

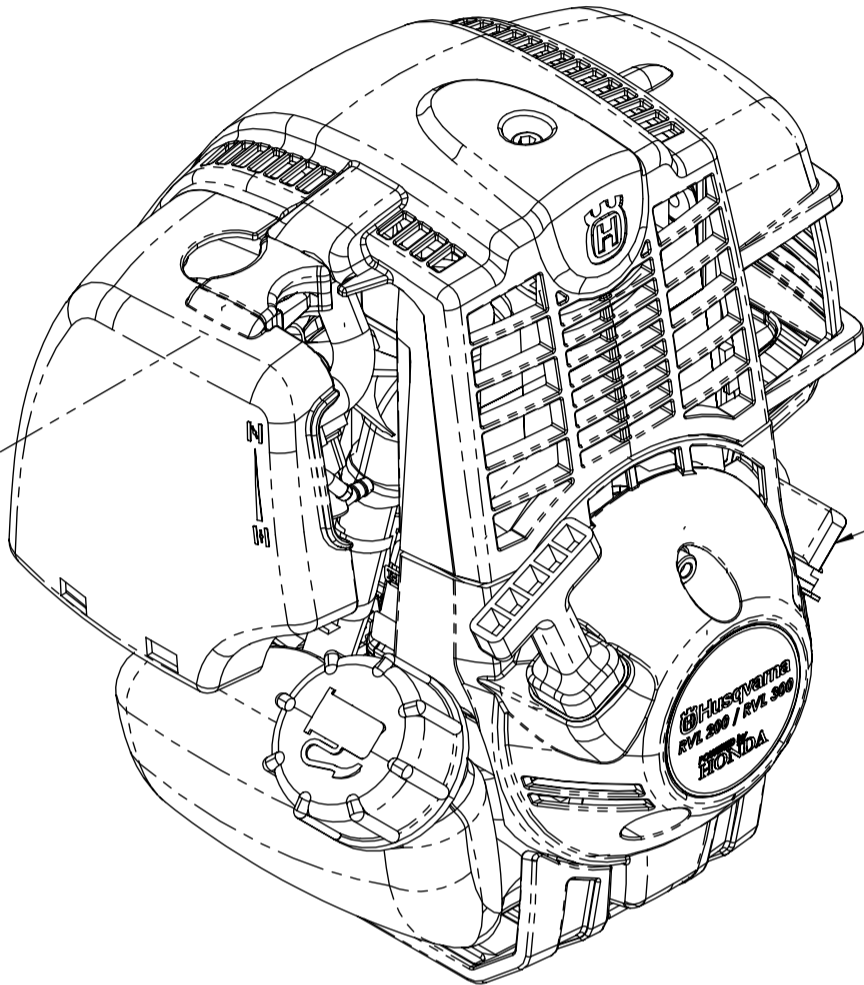
531 008 728 (1)



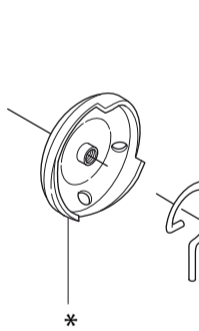
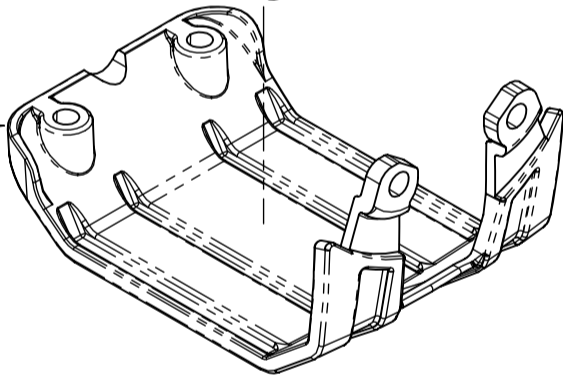
537 311 401 (1)



502 619 501 (EU) (1)  
502 619 502 (AUS)(1)



537 311 601 (1)



\*

\*

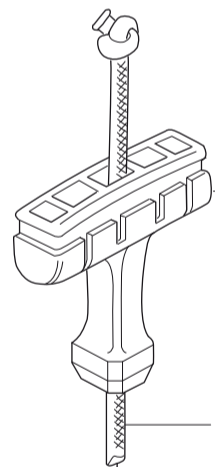
\*

\*

\*

\*

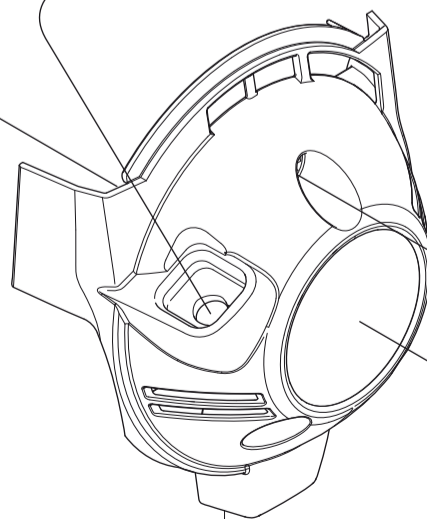
\*



\*

\*

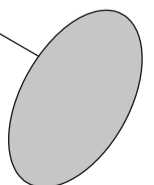
\*compl 531 00 86-41



\*

\*

\*531 008 642 (1)



505 022 501 (1)



[www.husqvarnacp.com](http://www.husqvarnacp.com)