



GB Operator's manual

Read these instructions carefully and make sure you understand them before using the FS 6600 D / FS 8400 D.

ES Manual del operador

Lea cuidadosamente estas instrucciones y asegúrese de que las comprende bien antes de usar el FS 6600 D / FS 8400 D.

FR Manuel d'utilisation

Veuillez lire attentivement ces instructions et assurez-vous de bien les comprendre avant d'utiliser la machine modèle FS 6600 D / FS 8400 D.

FS 6600 D 3-Speed Model Eff. S/N 1238795001.

FS 6600 D
FS 8400 D



DECLARATION OF CONFORMITY WITH THE "MACHINES" DIRECTIVE
(Directive 89/392/CEE, modified) and the rules governing its transposition

DECLARACIÓN DE CONFORMIDAD CON LA DIRECTIVA RELATIVA A "MÁQUINAS"
(Directiva 89/392/CEE, modificada) y las reglas que rigen su transposición

DÉCLARATION DE CONFORMITÉ À LA DIRECTIVE « MACHINES »
(Directive 89/392/CEE, modifiée) et aux réglementations régissant sa transposition

MANUFACTURER

EI FABRICANTE

LE FABRICANT

**Husqvarna
Construction Products**
17400 West 119th Street
Olathe, Kansas 66061
USA

herewith declares that the machine designed hereunder

con la presente declara que la máquina diseñada en virtud
de esto es de conformidad

déclare avec ceci que la machine conçue ci-après

FS6600 - FS8400 DIESEL


conforms to the modified "MACHINES" directive (89/392/CEE), the "LOW VOLTAGE" directive (73/23/CEE), the "EMC" directive (89/336/CEE) in accordance with European standards EN 50081/1 and EN 55022, and the "NOISE" directive (2000/14/CEE) in accordance with European standard EN-ISO-3744.

con la directiva modificada relativa a "MÁQUINAS" (89/392/CEE), la directiva relativa a "BAJA TENSIÓN", la directiva "EMC" (Compatibilidad electromagnética) (89/336/CEE) de acuerdo con las normas europeas EN 50081/1 y EN 55022, y la directiva relativa a "RUIDO" (2000/14/CEE) de acuerdo con la norma europea EN-ISO-3744.

est conforme à la directive modifiée « MACHINES » (89/392/CEE), à la directive « BASSE TENSION » (73/23/CEE), à la directive « CEM » (89/336/CEE), conformément aux normes européennes EN 50081/1 et EN 55022, et à la directive « BRUIT » (2000/14/CEE), conformément à la norme européenne EN-ISO-3744.

Made especially for:
Husqvarna Construction Products
Avenue du Ponte de Luttre, 74
1190 Brussels - Belgium
Phone: 322, 34 83 162
Fax: 322, 34 83 136

Vice President, Operations



James H. McMenemy

01June2007

Reference Information:

Model No.: _____

Serial No.: _____

Engine Serial No.: _____

Date Purchased: _____

Información de referencia:

N° de modelo: _____

N° de serie: _____

N° de serie del motor: _____

Fecha de compra: _____

Informations de référence : _____

N° du modèle : _____

N° de série : _____

N° de série du moteur : _____

Date d'achat : _____

**NOTES:
NOTAS:
REMARQUE :**



EVERY MACHINE IS THOROUGHLY TESTED BEFORE LEAVING THE FACTORY. EACH MACHINE IS SUPPLIED WITH A COPY OF THIS MANUAL. OPERATORS OF THIS EQUIPMENT MUST READ AND BE FAMILIAR WITH THE SAFETY WARNINGS. FAILURE TO OBEY WARNINGS MAY RESULT IN INJURY OR DEATH. FOLLOW INSTRUCTIONS STRICTLY TO ENSURE LONG SERVICE IN NORMAL OPERATION.

Table of Contents

| DESCRIPTION | PAGE NO. |
|-------------------------------------------------------------------------------------|-----------------|
| Declaration of Conformity With The "Machines" Directive | 2 |
| Warnings, Do's and Do Not's..... | 8 - 9 |
| Symbol Definitions..... | 14 - 21 |
| Warning, Poison Exhaust Gas, Hearing Hazard | 22 |
| Warning, Dust..... | 23 |
| Technical Data - Sound Level, EMC, and HAV..... | 24 |
| Decals..... | 31 - 35 |
| FS6600 Diesel Specifications Standard & CE..... | 36 |
| FS8400 Diesel Specifications Standard & CE..... | 37 |
| Special Instructions For Changing Blade Speed On Concrete / Asphalts Saws | 42 |
| Engine Speed / Blade Size..... | 42 - 43 |
| Engine Information / John Deere Warranty Registration | 44 |
| Pre Operation Checklist..... | 45 |
| Scheduled Maintenance Quick Reference | 45 |
| REFERENCE FIGURES | |
| Figure 1 | 46 |
| Figure 2 | 47 |
| Figure 3-1 | 47 |
| Figure 3-2 | 48 |
| Figure 4 | 49 |
| Figure 5 | 49 |
| Figure 6 | 50 |
| INSTRUCTIONS | |
| 1. Uses | 51 |
| 2. Moving The Machine | 51 |
| 3. Transport (Blade Removed) | 52 |
| 4. Check Before Starting | 52 |
| 5. Fitting The Blade | 52 |
| 6. Starting The Saw | 53 |
| 7. Stopping The Saw | 54 |
| 8. Incidents During Sawing..... | 54 |
| 9. Adjustments: Straight Line Sawing..... | 55 |
| 10. Maintenance..... | 55 |
| 11. Blade Shaft V-Belt Tension | 56 |
| 12. Hydraulic System..... | 56 |
| 13. Important Advice..... | 56 |
| 14. Engine Speed Adjustment..... | 57 |
| 15. Accessories | 58 |
| 16. Large Diameter Models | 58 |
| 17. Repairs..... | 59 |
| 18. Spare Parts..... | 59 |
| FS6600 DIESEL BLADE SIZE CONVERSION CHART | 92 - 93 |
| FS8400 DIESEL BLADE SIZE CONVERSION CHART | 94 - 95 |
| BLADE SIZE CONVERSION: HUSQVARNA FS 6600 D / FS 8400 D, 3 SPEED GEARBOX MODELS..... | 104 |
| DIAGRAMS | |
| Diagram 1, Wiring Diagram - FS6600 - FS8400 Diesel, Instrument and Control Box..... | 106 |
| Diagram 2, Wiring Diagram - FS6600 - FS8400 Diesel, Engine Wiring | 107 |
| Diagram 3, Wiring Diagram - FS6600 - FS8400 Diesel, Cowl Wiring | 108 |
| Diagram 4, Ladder Diagram - FS6600 - FS8400 Diesel..... | 110 - 111 |



TODAS LAS MÁQUINAS SON SOMETIDAS A UNA PRUEBA EXHAUSTIVA ANTES DE SALIR DE FÁBRICA. CADA MÁQUINA SE SUMINISTRA CON UN EJEMPLAR DE ESTE MANUAL. LOS OPERADORES DE ESTE EQUIPO DEBEN LEER Y FAMILIARIZARSE CON LOS MENSAJES DE ADVERTENCIA DE SEGURIDAD. LA INOBSERVANCIA DE TALES ADVERTENCIAS PODRÍA RESULTAR EN LESIONES O MUERTE. SEGUIR LAS INSTRUCCIONES RIGUROSAMENTE PARA ASEGURAR UNA LARGA VIDA ÚTIL EN CONDICIONES DE OPERACIÓN NORMALES.

ÍNDICE

| DESCRIPCIÓN | Nº DE PÁGINA |
|---------------------------------------------------------------------------------------------------------------------------------|--------------|
| Declaración de conformidad con la directiva relativa a "Máquinas" | 2 |
| Advertencias, Lo que debe hacer y lo que no debe hacer | 10 - 11 |
| Definición de los símbolos | 14 - 21 |
| Advertencia, gas de escape venenoso, peligro para la Audición | 25 |
| Advertencia, polvo | 26 |
| Datos técnicos - Nivel sonoro, EMC y HAV | 27 |
| Etiquetas | 31 - 35 |
| Especificaciones, normales y CE del diesel FS6600 | 38 |
| Especificaciones, normales y CE, del diesel FS8400 | 39 |
| Instrucciones especiales para cambiar la velocidad de la hoja en sierras para hormigón/asfalto | 42 |
| Velocidad del motor/Tamaño de la hoja | 42 - 43 |
| Información del motor / Registro de la garantía de John Deere | 44 |
| Lista de comprobación preliminar | 60 |
| Referencia rápida para el mantenimiento programado | 60 |
| FIGURAS DE REFERENCIA | |
| Figura 1 | 61 |
| Figura 2 | 62 |
| Figura 3-1, Figura 3-2 | 63 |
| Figura 4 | 64 |
| Figura 5 | 64 |
| Figura 6 | 65 |
| INSTRUCCIONES | |
| 1. Usos | 66 |
| 2. Traslado de la máquina | 66 |
| 3. Transporte (sin la hoja) | 67 |
| 4. Revisión antes del arranque | 67 |
| 5. Colocación de la hoja | 67 |
| 6. Arranque de la sierra | 68 |
| 7. Parada de la sierra | 69 |
| 8. Incidentes durante el corte con sierra | 70 |
| 9. Ajustes: Aserrado en línea recta | 70 |
| 10. Mantenimiento | 70 |
| 11. Tensión de la correa trapezoidal del eje de la hoja | 71 |
| 12. Sistema hidráulico | 71 |
| 13. Consejo importante | 72 |
| 14. Ajuste de la velocidad del motor | 72 |
| 15. Accesorios | 74 |
| 16. Modelos de diámetro grande | 74 |
| 17. Reparaciones | 74 |
| 18. Piezas de repuesto | 74 |
| FS6600 DIESEL - TABLA DE CONVERSIONES DE TAMAÑOS DE LA HOJA | 96 - 97 |
| FS8400 DIESEL - TABLA DE CONVERSIONES DE TAMAÑO DE HOJA | 98 - 99 |
| CONVERSIÓN DE TAMAÑOS DE HOJAS: MODELOS HUSQVARNA FS 6600 D / FS 8400 D, CON CAJA DE MARCHAS DE 3 VELOCIDADES | 104 |
| DIAGRAMAS ESQUEMÁTICOS | |
| Diagrama esquemático1, Diagrama esquemático de alambrado - Diesel FS6600 - FS8400, Caja de control e instrumentos | 106 |
| Diagrama esquemático 2, Diagrama esquemático de alambrado - Diesel FS6600 - FS8400, alambrado del motor | 107 |
| Diagrama esquemático 3, Diagrama esquemático de alambrado - Diesel FS6600 - FS8400, alambrado de la cubierta del motor | 108 |
| Diagrama esquemático 4, Diagrama esquemático en escalera - diesel FS6600 - FS8400 | 110 - 111 |



CHAQUE MACHINE A ÉTÉ ENTIÈREMENT TESTÉE AVANT DE QUITTER L'USINE. CHAQUE MACHINE EST FOURNIE AVEC UN EXEMPLAIRE DE CE MANUEL. LES OPÉRATEURS DE CE MATÉRIEL DOIVENT LIRE LES CONSIGNES DE SÉCURITÉ ET BIEN LES CONNAÎTRE. LE NON-RESPECT DES CONSIGNES DE SÉCURITÉ RISQUE D'ENTRAÎNER DES BLESSURES GRAVES OU MORTELLES. SUIVRE EXACTEMENT LES INSTRUCTIONS POUR OBTENIR UNE LONGUE DURÉE DE SERVICE LORS DE L'UTILISATION NORMALE.

Table des matières

| DESCRIPTION | N° PAGE |
|------------------------------------------------------------------------------------------------------------------|-----------|
| Déclaration de conformité à la directive « Machines » | 2 |
| Consignes de sécurité, à faire et à ne pas faire | 12 - 13 |
| Explications des symboles | 14 - 21 |
| Avertissement, gaz d'échappement toxiques, danger pour l'ouïe | 28 |
| Avertissement, poussière | 29 |
| Données techniques – niveau sonore, CEM et VMB | 30 |
| Autocollants | 31 - 35 |
| Spécifications FS6600 diesel standard & CE | 40 |
| Spécifications FS8400 diesel standard & CE | 41 |
| Instructions spéciales pour le changement de la vitesse du disque sur les scies à béton/asphalte | 42 |
| Régime moteur/dimension de disque | 42 - 43 |
| Information sur le moteur/enregistrement de garantie John Deere | 44 |
| Liste de vérifications avant utilisation | 75 |
| Guide rapide du calendrier d'entretien | 75 |
| FIGURES DE RÉFÉRENCE | |
| Figure 1 | 76 |
| Figure 2 | 77 |
| Figure 3-1, Figure 3-2 | 78 |
| Figure 4 | 79 |
| Figure 5 | 79 |
| Figure 6 | 80 |
| INSTRUCTIONS | |
| 1. Utilisations | 81 |
| 2. Déplacement de la machine | 81 |
| 3. Transport (disque retiré) | 82 |
| 4. À vérifier avant de démarrer | 82 |
| 5. Mise en place du disque | 82 |
| 6. Démarrage de la scie | 83 |
| 7. Arrêt de la scie | 85 |
| 8. Incidents pouvant se produire durant le sciage | 85 |
| 9. Réglages : Sciage en ligne droite | 85 |
| 10. Entretien | 85 |
| 11. Tension des courroies trapézoïdales de l'axe du disque | 86 |
| 12. Circuit hydraulique | 87 |
| 13. Conseil important | 87 |
| 14. Réglage du régime moteur | 87 |
| 15. Accessoires | 89 |
| 16. Modèles de grand diamètre | 89 |
| 17. Réparations | 90 |
| 18. Pièces détachées | 90 |
| TABLEAU DE CONVERSION DES DIMENSIONS DE DISQUE, FS6600 DIESEL | 100 - 101 |
| TABLEAU DE CONVERSION DES DIMENSIONS DE DISQUE, FS8400 DIESEL | 102 - 103 |
| CONVERSION DES TAILLES DE DISQUES : HUSQVARNA FS 6600 D / FS 8400 D, BOÎTE DE TRANSMISSION À 3 VITESSES | 104 |
| SCHÉMAS | |
| Schéma 1, schéma de câblage - FS6600 - FS8400 Diesel, instruments et boîtier de commande | 106 |
| Schéma 2, schéma de câblage - FS6600 - FS8400 Diesel, câblage du moteur | 107 |
| Schéma 3, schéma de câblage - FS6600 - FS8400 Diesel, câblage du capot | 108 |
| Schéma 4, schéma échelle - FS6600 - FS8400 Diesel | 110 - 111 |

NOTES:
NOTAS:
REMARQUE :

SAFETY FIRST!



WARNINGS DO's AND DO NOT's



WARNING: FAILURE TO COMPLY WITH THESE WARNINGS AND OPERATING INSTRUCTIONS COULD RESULT IN DEATH OR SERIOUS BODILY INJURY.

DO

- DO Read this entire operator's manual before operating this machine. Understand all warnings, instructions, and controls.
- DO keep all guards in place and in good condition.
- DO wear safety approved hearing, eye, head and respiratory protection.
- DO read and understand all warnings and instructions on the machine.
- DO read and understand the symbol definitions contained in this manual.
- DO keep all parts of your body away from the blade and all other moving parts.
- DO know how to stop the machine quickly in case of emergency.
- DO shut off the engine and allow it to cool before refueling or doing maintenance.
- DO inspect the blade, flanges and shafts for damage before installing the blade.
- DO use the blade flange size shown for each blade size.
- DO use only steel center diamond blades manufactured for use on concrete saws.
- DO use only the blade flanges supplied with the saw. Never use damaged or worn blade flanges.
- DO use only blades marked with a maximum operating speed greater than the blade shaft speed. Verify speed by checking blade shaft rpm and pulley diameters and blade flange diameters.
- DO verify saw drive configuration by checking blade shaft RPM, pulley diameters, and blade flange diameter.
- DO read all safety materials and instructions that accompany any blade used with this machine.
- DO inspect each blade carefully before using it. If there are any signs of damage or unusual wear, **DO NOT USE THE BLADE.**
- DO mount the blade solidly and firmly, Wrench tighten the arbor nut.
- DO make sure the blade and flanges are clean and free of dirt and debris before mounting the blade on the saw.
- DO use the correct blade for the type of work being done. Check with blade manufacturer if you do not know if blade is correct.
- DO use caution and follow the instructions when loading and unloading the machine.
- DO operate this machine only in well ventilated areas. Breathing Poison Exhaust Gas could result in death.
- DO instruct bystanders on where to stand while the machine is in operation.
- DO establish a training program for all operators of this machine.
- DO clear the work area of unnecessary people. Never allow anyone to stand in front of or behind the blade while the engine is running.
- DO make sure the blade is not contacting anything before starting the engine.
- DO use caution when lifting and transporting this machine.
- DO always tie down the machine when transporting.
- DO use caution and follow instructions when setting up or transporting the machine.
- DO have all service performed by competent service personnel
- DO verify the blade arbor hole matches the machine spindle before mounting the blade.
- DO always check for buried electrical cables before sawing. If unsure, contact the local utilities.
- DO move the machine at least 10 feet (3 meters) from the fueling point before starting the engine and make sure the fuel cap is on the machine and properly tightened.
- DO lift only from the lift bail.
- DO clean the machine after each day's use.
- DO use the proper blade flange size for each blade size. Never use damaged or worn blade flanges.
- DO use caution when handling fuel.
- DO only cut in a straight line.
- DO only saw as deep as the job specifications require.
- DO always give a copy of this manual to the equipment user. If you need extra copies, call TOLL FREE 1-800-288-5040 in USA, or for International, call +1-913-928-1300.

SAFETY FIRST!



WARNING: FAILURE TO COMPLY WITH THESE WARNINGS AND OPERATING INSTRUCTIONS COULD RESULT IN DEATH OR SERIOUS BODILY INJURY.

DO NOT

- DO NOT** operate this machine unless you have read and understood this operator's manual.
- DO NOT** operate this machine without the blade guard, or other protective guards in place.
- DO NOT** stand behind or in front of the blade path while the engine is running.
- DO NOT** leave this machine unattended while the engine is running.
- DO NOT** work on this machine while the engine is running.
- DO NOT** operate this machine when you are tired or fatigued.
- DO NOT** use a wet blade without adequate water supply to the blade.
- DO NOT** exceed maximum blade speed shown for each blade size. Excessive speed could result in blade breakage.
- DO NOT** operate the machine if you are uncertain of how to run the machine.
- DO NOT** use damaged equipment or blades.
- DO NOT** touch or try to stop a moving blade with your hand.
- DO NOT** cock, jam, wedge or twist the blade in a cut.
- DO NOT** transport a cutting machine with the blade mounted on the machine.
- DO NOT** use a blade that has been dropped or damaged
- DO NOT** use carbide tipped blades.
- DO NOT** touch a dry cutting diamond blade immediately after use. These blades require several minutes to cool after each cut.
- DO NOT** use damaged or worn blade flanges.
- DO NOT** allow other persons to be near the machine when starting, refueling, or when the machine is in operation.
- DO NOT** operate this machine in an enclosed area. Breathing Poison Exhaust Gas could result in death.
- DO NOT** operate this machine in the vicinity of anything that is flammable. Sparks could cause a fire or an explosion.
- DO NOT** allow blade exposure from the guard to be more than 180 degrees.
- DO NOT** operate this machine with the belt guards or blade guard removed.
- DO NOT** operate this machine unless you are specifically trained to do so.
- DO NOT** use a blade that has been over heated (Core has a bluish color).
- DO NOT** jam material into the blade.
- DO NOT** grind on the side of the blade.
- DO NOT** tow this machine behind a vehicle.
- DO NOT** use the tie down brackets for lifting this machine.
- DO NOT** operate this machine with the any guards or shields removed.
- DO NOT** cut deeper than 1" per pass with a dry blade. Step cut to achieve deeper cuts.
- DO NOT** operate this machine while using drugs or alcohol.
- DO NOT** engage bladeclutch with the engine RPM higher than 1200

This saw was designed for certain applications only. DO NOT modify this saw or use for any application other than for which it was designed. If you have any questions relative to its application, DO NOT use the saw until you have written Husqvarna Construction Products and we have advised you.

Husqvarna Construction Products North America
17400 West 119th Street
Olathe, Kansas 66061
USA

¡SEGURIDAD ANTE TODO!



ADVERTENCIAS LO QUE DEBE HACER Y LO QUE NO DEBE HACER



ADVERTENCIA: LA INOBSERVANCIA DE ESTOS MENSAJES DE ADVERTENCIA E INSTRUCCIONES DE INSTALACIÓN PODRÍA RESULTAR EN LESIONES GRAVES O MUERTE.

SÍ

- SÍ Lea todo este manual del operador antes de manejar esta máquina. Comprenda bien todas las advertencias, instrucciones y controles (mandos).
- SÍ Mantenga todos los protectores en su lugar y en buenas condiciones
- SÍ Use equipo de seguridad aprobado para los oídos, ojos, cabeza y vías respiratorias
- SÍ Lea y comprenda todos los mensajes de advertencia y las instrucciones en esta máquina.
- SÍ Lea y comprenda las definiciones de los símbolos que figuran en este manual.
- SÍ Mantenga todas las partes de su cuerpo lejos de la hoja y de todas las piezas en movimiento.
- SÍ Sepa cómo detener la máquina rápidamente en caso de emergencia.
- SÍ Apague el motor y deje que se enfríe antes de reabastecer de combustible o hacer trabajos de mantenimiento.
- SÍ Antes de instalar la hoja, inspeccione la hoja, las bridas y los ejes para ver si hay daño.
- SÍ Use el tamaño de brida de la hoja que se muestra para cada tamaño de hoja.
- SÍ Use solamente hojas de diamante con centro de acero fabricadas para usar en sierras para hormigón.
- SÍ Use solamente las bridas suministradas con la sierra. Nunca use bridas de hoja dañadas o desgastadas.
- SÍ Use solamente hojas marcadas con una velocidad máxima de funcionamiento mayor que la velocidad del eje de la hoja. Verifique la velocidad comprobando la velocidad (rpm) del eje de la hoja y los diámetros de las poleas y de la brida de la hoja.
- SÍ Verifique la configuración de accionamiento de la sierra comprobando la velocidad (rpm) del eje de la hoja, los diámetros de las poleas y el diámetro de la brida de la hoja.
- SÍ Lea todas las hojas de seguridad de materiales y las instrucciones incluidas con las hojas utilizadas en esta máquina.
- SÍ Inspeccione cuidadosamente cada hoja antes de usarla. Si encuentra cualquier evidencia de daño o desgaste fuera de lo común, **NO USE LA HOJA.**
- SÍ Instale la hoja bien sujeta y firme. Apriete con una llave la tuerca del eje.
- SÍ Cerciórese de que la hoja y las bridas estén limpias y libres de tierra y basura antes de instalar la hoja en la sierra.
- SÍ Use la hoja correcta para el tipo de trabajo a realizar. Ante cualquier duda, consulte con el fabricante de la hoja.
- SÍ Sea precavido y siga las instrucciones cuando suba y baje la máquina del vehículo de transporte.
- SÍ Maneje esta máquina solamente en lugares con buena ventilación. El respirar gases de escape venenosos podría causar la muerte.
- SÍ Indique a los circunstantes dónde situarse mientras la máquina está funcionando.
- SÍ Establezca un programa de capacitación para todos los operadores de esta máquina.
- SÍ Despeje el lugar de trabajo de personas no involucradas en el trabajo. Nunca deje que nadie se sitúe delante o detrás de la hoja mientras el motor está funcionando.
- SÍ Asegúrese de que la hoja no haga contacto con ninguna cosa antes de arrancar el motor.
- SÍ Tenga cuidado cuando levante y transporte esta máquina.
- SÍ Siempre amarre la máquina para transportarla.
- SÍ Tenga cuidado y siga las instrucciones cuando prepare o transporte la máquina.
- SÍ Encargue todos los trabajos de servicio a mecánicos competentes.
- SÍ Verifique que el orificio de la hoja para el eje coincida con el eje de la máquina antes de instalar la hoja.
- SÍ Siempre averigüe si hay cables eléctricos enterrados antes de cortar con la sierra. Ante cualquier duda, comuníquese con las empresas de servicios públicos locales.
- SÍ Aleje la máquina por lo menos 10 pies (3 metros) del punto de reabastecimiento de combustible antes de arrancar el motor, y asegúrese de que la tapa de combustible esté puesta en la máquina y bien apretada.
- SÍ Levante la máquina solamente del gancho de izada.
- SÍ Limpie la máquina después de cada jornada.
- SÍ Use el tamaño de brida de la hoja apropiado para cada tamaño de hoja. Nunca use bridas de hoja dañadas o desgastadas.
- SÍ Sea precavido cuando maneje el combustible.
- SÍ Corte solamente en línea recta.
- SÍ Corte solamente hasta la profundidad requerida en las especificaciones de la obra.
- SÍ Siempre entregue un ejemplar de este manual al usuario del equipo. Si necesita más ejemplares, llama GRATIS al 1-800-288-5040 (EEUU) o +1-913-928-1300 (internacional).

¡SEGURIDAD ANTE TODO!



ADVERTENCIAS

LO QUE DEBE HACER Y LO QUE NO DEBE HACER



ADVERTENCIA: LA INOBSERVANCIA DE ESTOS MENSAJES DE ADVERTENCIA E INSTRUCCIONES DE INSTALACIÓN PODRÍA RESULTAR EN LESIONES GRAVES O MUERTE.

NO

- NO maneje esta máquina sin antes haber leído y comprendido este manual del operador.
- NO maneje esta máquina sin el protector de la hoja, u otros escudos protectores en su lugar.
- NO se sitúe detrás o delante de paso de la hoja mientras el motor está funcionando.
- NO deje la máquina desatendida mientras el motor está funcionando.
- NO trabaje en esta máquina mientras el motor está funcionando.
- NO maneje esta máquina cuando esté cansado o fatigado.
- NO use una hoja de corte en húmedo sin tener conectado el suministro adecuado de agua a la hoja.
- NO sobrepase la velocidad máxima de la hoja indicada para cada tamaño de hoja. La velocidad excesiva podría causar la rotura de la hoja.
- NO maneje la máquina si no está seguro de cómo hacerlo.
- NO use ningún equipo u hoja que esté dañado.
- NO toque ni intente parar con la mano una hoja en movimiento.
- NO incline, atasque, acufie o tuerza una hoja durante un corte.
- NO transporte una máquina de corte con la hoja instalada.
- NO use una hoja que se ha dejado caer o dañado
- NO use hojas con puntas de carburo.
- NO toque una hoja de diamante de corte en seco inmediatamente después de usarla. Estas hojas requieren varios minutos para enfriarse después de cada corte.
- NO use bridas de hoja dañadas o desgastadas.
- NO permita a otras personas cerca de la máquina durante el arranque, reabastecimiento de combustible o cuando la máquina está funcionando.
- NO maneje esta máquina en un lugar encerrado. El respirar gases de escape venenosos podría causar la muerte.
- NO maneje esta máquina cerca de cualquier cosa inflamable. Las chispas podrían causar un incendio o una explosión.
- NO permita que la hoja esté fuera del protector más de 180 grados (82.2°C).
- NO maneje esta máquina sin los protectores de las correas o el protector de la hoja.
- NO maneje esta máquina sin tener la capacitación especial para hacerlo.
- NO use una hoja que se ha sobrecalentado (el núcleo está de color azulino).
- NO apiñe material contra la hoja.
- NO frote en el costado de la hoja.
- NO remolque esta máquina con un vehículo.
- NO use los soportes de anclaje para levantar esta máquina.
- NO maneje esta máquina sin los protectores o escudos.
- NO corte más profundo de 1 pulgada por pasada con una hoja de corte en seco. Corte gradualmente para lograr cortes más profundos.
- NO maneje esta máquina mientras está bajo los efectos de drogas o alcohol.
- NO embrague la hoja cuando la velocidad del motor es mayor que 1200 rpm.

Esta sierra fue diseñada para ciertas aplicaciones solamente. **NO modifique esta sierra ni la utilice para ninguna otra aplicación aparte de aquellas para las cuales fue diseñada. Ante cualquier duda respecto a su aplicación, NO utilice la sierra hasta haber escrito a Husqvarna Construction Products y nosotros le hayamos dado la información necesaria.**

Husqvarna Construction Products North America
17400 West 119th Street
Olathe, Kansas 66061
USA

SÉCURITÉ D'ABORD !



AVERTISSEMENT : LE NON-RESPECT DE CES CONSIGNES DE SÉCURITÉ ET DES INSTRUCTIONS D'UTILISATION RISQUE D'ENTRAÎNER DES BLESSURES GRAVES OU MORTELLES.

A FAIRE

- A FAIRE** Lire ce manuel d'utilisation en entier avant d'utiliser cette machine. Bien comprendre tous les avertissements, toutes les instructions et le fonctionnement des commandes.
- A FAIRE** Laisser toutes les protections à leur place et en bon état.
- A FAIRE** Porter les dispositifs de protection des oreilles, des yeux, de la tête et des voies respiratoires qui sont homologués pour la sécurité.
- A FAIRE** Lire tous les avertissements et toutes les instructions figurant sur la machine et bien les comprendre.
- A FAIRE** Lire et comprendre les explications des symboles contenues dans ce manuel.
- A FAIRE** N'approcher aucune partie du corps du disque et des autres pièces mobiles.
- A FAIRE** Savoir comment arrêter rapidement la machine en cas d'urgence.
- A FAIRE** Arrêter le moteur et le laisser refroidir avant d'effectuer le plein de carburant ou une opération d'entretien.
- A FAIRE** Inspecter le disque, les flasques et les axes pour vérifier qu'ils ne sont pas endommagés avant d'installer le disque.
- A FAIRE** Utiliser la taille de flasque de disque spécifiée pour chaque taille de disque.
- A FAIRE** Utiliser uniquement des disques en diamant à centre en acier fabriqués spécialement pour utilisation sur les scies à béton.
- A FAIRE** Utiliser uniquement les flasques de disque fournis avec la scie. Ne jamais utiliser de flasques de disque endommagés ou usés.
- A FAIRE** Utiliser uniquement des disques marqués avec une vitesse maximale de fonctionnement supérieure à la vitesse de l'axe du disque. Vérifier la vitesse en vérifiant la vitesse de rotation de l'axe du disque, le diamètre des poulies et le diamètre des flasques de disque.
- A FAIRE** Vérifier la configuration de l'entraînement de scie en vérifiant la vitesse de l'axe de disque, le diamètre des poulies et le diamètre des flasques de disque.
- A FAIRE** Lire toutes les consignes de sécurité et instructions accompagnant tout disque utilisé avec cette machine.
- A FAIRE** Inspecter soigneusement chaque disque avant de l'utiliser. S'il paraît endommagé ou présente une usure inhabituelle, **NE PAS UTILISER LE DISQUE.**
- A FAIRE** Monter le disque solidement et fermement ; serrer l'écrou du mandrin avec une clé.
- A FAIRE** S'assurer que le disque et les flasques sont propres et exempts de saleté et de débris avant de monter le disque sur la scie.
- A FAIRE** Utiliser le disque approprié au type de travail à faire. En cas de doute sur le disque à utiliser, demander conseil au fabricant de disques.
- A FAIRE** Rester prudent et suivre les instructions pour charger et décharger la machine.
- A FAIRE** N'utiliser cette machine que dans des endroits bien aérés. L'inhalation des gaz d'échappement toxiques pourrait provoquer la mort.
- A FAIRE** Indiquer aux personnes présentes l'endroit où elles doivent se tenir lorsque la machine est en marche.
- A FAIRE** Établir un programme de formation pour tous les opérateurs de cette machine.
- A FAIRE** Demander aux personnes qui ne sont pas indispensables de s'éloigner du chantier. Ne jamais autoriser qui que ce soit à se tenir devant ou derrière le disque lors du fonctionnement du moteur.
- A FAIRE** Vérifier que le disque ne touche rien avant de faire démarrer le moteur.
- A FAIRE** Rester prudent lors du levage et du transport de cette machine.
- A FAIRE** Toujours bien arrimer la machine avant de la transporter.
- A FAIRE** Rester prudent et suivre les instructions pour mettre en place et transporter la machine.
- A FAIRE** Toutes les opérations d'entretien/réparation doivent être effectuées par un personnel compétent.
- A FAIRE** Vérifier que le trou de mandrin du disque correspond à la broche de la machine avant de monter le disque.
- A FAIRE** Toujours vérifier qu'il n'y a pas de câbles électriques enfouis, avant d'effectuer un sciage. En cas de doute, contacter les services locaux appropriés.
- A FAIRE** Éloigner la machine d'au moins 3 mètres (10 pieds) du point du plein de carburant, avant de faire démarrer le moteur et vérifier que le bouchon du réservoir de carburant est bien refermé et serré.
- A FAIRE** Ne lever la machine que par l'anse de levage.
- A FAIRE** Nettoyer la machine après chaque journée d'utilisation.
- A FAIRE** Utiliser la taille de flasque de disque spécifiée pour chaque taille de disque. Ne jamais utiliser de flasques de disque endommagés ou usés.
- A FAIRE** Faire très attention lors de la manipulation du carburant.
- A FAIRE** Ne scier qu'en ligne droite.
- A FAIRE** Ne pas scier plus profondément qu'il n'est nécessaire pour le travail.
- A FAIRE** Toujours donner un exemplaire de ce manuel à l'utilisateur du matériel. Pour obtenir des exemplaires supplémentaires, téléphoner au 1-800-288-5040 aux Etats Unis ou +1-913-928-1300, international.

SÉCURITÉ D'ABORD !



CONSIGNES DE SÉCURITÉ À FAIRE ET À NE PAS FAIRE



AVERTISSEMENT : LE NON-RESPECT DE CES CONSIGNES DE SÉCURITÉ ET DES INSTRUCTIONS D'UTILISATION RISQUE D'ENTRAÎNER DES BLESSURES GRAVES OU MORTELLES.

A NE PAS FAIRE

- NE PAS** utiliser cette machine avant d'avoir lu le manuel d'utilisation et compris ses instructions.
- NE PAS** utiliser cette machine si la protection de disque et les autres dispositifs de protection ne sont pas à leur place.
- NE PAS** se tenir derrière ni devant le disque lors du fonctionnement du moteur.
- NE PAS** laisser cette machine sans surveillance lors du fonctionnement du moteur.
- NE PAS** travailler sur cette machine lors du fonctionnement du moteur.
- NE PAS** utiliser cette machine quand on est fatigué ou las.
- NE PAS** utiliser de disque pour sciage à l'eau sans une alimentation en eau adéquate au disque.
- NE PAS** faire tourner le disque à une vitesse supérieure à la vitesse maximum spécifiée pour chaque taille de disque. Une vitesse excessive pourrait faire casser le disque.
- NE PAS** utiliser la machine si l'on a des doutes sur son mode d'emploi.
- NE PAS** utiliser du matériel ni des disques endommagés.
- NE PAS** toucher ni essayer d'arrêter un disque en mouvement avec la main.
- NE PAS** enrayer, coincer, bloquer ni tordre le disque dans une entaille.
- NE PAS** transporter une scie lorsque le disque y est monté.
- NE PAS** utiliser de disque qui est tombé ou a été endommagé.
- NE PAS** utiliser de disques à pointes en carbure.
- NE PAS** toucher de disque en diamant pour sciage à sec immédiatement après son utilisation. Ces disques mettent plusieurs minutes à refroidir après chaque sciage.
- NE PAS** utiliser de flasques de disque endommagés ou usés.
- NE PAS** autoriser d'autres personnes à se tenir près de la machine lors du démarrage, du plein de carburant ni de son fonctionnement.
- NE PAS** utiliser cette machine dans un endroit clos. L'inhalation des gaz d'échappement toxiques pourrait provoquer la mort.
- NE PAS** utiliser cette machine à proximité de matières inflammables. Des étincelles pourraient provoquer un feu ou une explosion.
- NE PAS** laisser le disque exposé hors de la protection de plus de 180 degrés (82.2°C).
- NE PAS** utiliser cette machine lorsque la (ou les) protection(s) de courroie est (sont) retirée(s).
- NE PAS** utiliser cette machine si l'on n'a pas été spécialement formé pour cela.
- NE PAS** utiliser de disque qui a surchauffé (le centre a une couleur bleuâtre).
- NE PAS** coincer des matériaux dans le disque.
- NE PAS** meuler sur le côté du disque.
- NE PAS** remorquer cette machine derrière un véhicule.
- NE PAS** utiliser les supports d'amarrage pour soulever cette machine.
- NE PAS** utiliser cette machine lorsque les protections ou carters sont retirés.
- NE PAS** effectuer d'entaille de plus de 2,5 cm (1 po) de profondeur par passage, avec un disque pour sciage à sec. Procéder par étapes pour effectuer des entailles plus profondes.
- NE PAS** utiliser cette machine lorsque l'on se trouve sous l'influence de drogues ou d'alcool.
- NE PAS** engager l'embrayage du disque lorsque le régime moteur est supérieur à 1 200 tr/min.

Cette scie n'a été conçue que pour certaines applications. NE PAS la modifier et ne pas l'utiliser dans une application pour laquelle elle n'a pas été conçue. Pour toute question relative aux applications, NE PAS utiliser la scie avant d'avoir écrit à Husqvarna Construction Products ni avant d'avoir reçu l'approbation.

**Husqvarna Construction Products North America
17400 West 119th Street
Olathe, Kansas 66061
USA**

Symbol Definitions

Definición de los símbolos

Explications des symboles



- This symbol indicates that the machine is in conformance with the applicable European directive.
- Este símbolo indica que la máquina es de conformidad con la directiva europea aplicable.
- Ce symbole indique que la machine est conforme à la directive européenne applicable.



- Please read the instructions for use prior to operating the machine for the first time.
- Por favor lea las instrucciones de uso antes de manejar la máquina por primera vez.
- Ne pas oublier de lire les instructions d'utilisation avant d'utiliser la machine pour la première fois.



- Mandatory
- Obligatorio
- Obligatoire



- Indication
- Indicación
- Indication



- Prohibition
- Prohibición
- Interdiction



- Warning Triangle
- Triángulo de advertencia
- Triangle d'avertissement



- Wear Eye Protection
- Use protección para los ojos
- Porter une protection des yeux



- Wear Breathing Protection
- Use protección para las vías respiratorias
- Porter une protection des voies respiratoires



- The use of ear protection is mandatory
- El uso de protección de los oídos es obligatorio
- L'utilisation d'une protection des oreilles est obligatoire



- Wear Head Protection
- Use protección para la cabeza
- Porter une protection de la tête



- Wear Safety Shoes
- Use zapatos de seguridad
- Porter des chaussures de sécurité



- Wear Appropriate Clothing
- Use vestimenta apropiada
- Porter des vêtements appropriés



- Remove the blade prior to Hoisting, Loading, Unloading and Transporting the Machine.
- Quite la hoja antes de subir, cargar, descargar y transportar la máquina.
- Retirer le disque avant de lever, charger, décharger et transporter la machine.



- Emergency Shutdown, Transmission Stop
- Parada de emergencia, parada de la transmisión
- Arrêt d'urgence, débrayage de la transmission



- Use In Well Ventilated Area
- Use en un lugar con buena ventilación
- Utiliser dans un endroit bien aéré



- Do Not Use In Flammable Areas
- No usar en lugares inflamables
- Ne pas utiliser dans des lieux où se trouvent des matières inflammables



- Machinery Hazard, Keep hands and Feet Clear.
- Peligro de maquinaria, mantenga las manos y pies alejados.
- Risques présentés par la machine ; garder les mains et les pieds éloignés.



- Muffler Hot. May Cause Burns and / or Ignition of Material. Avoid Contact.
- Silenciador caliente. Puede causar quemaduras y/o inflamación de materiales. Evitar el contacto.
- Silencieux brûlant. Risque de brûlures et/ou d'inflammation de matières. Éviter le contact.



- Danger, Poison Exhaust Gas
- Peligro, gases de escape venenosos
- Danger, gaz d'échappement toxiques



- No Non-working Personnel In Area
- No se permite personal extraño en la obra
- Pas de spectateurs à proximité



- No Smoking
- No fumar
- Ne pas fumer



- Do Not Operate Without Blade Guard in Place
- No manejar sin el protector de la hoja instalado
- Ne pas utiliser si la protection de disque n'est pas en place



- Always Keep All Guards In Place
- Siempre mantenga todos los protectores en su lugar
- Toujours laisser toutes les protections à leur place



- Water Supply On
- Suministro de agua conectado
- Alimentation en eau ouverte



- Water Supply Off
- Suministro de agua desconectado
- Alimentation en eau fermée



- Water Supply
- Suministro de agua
- Alimentation en eau



- Blade Water Safety Switch
- Interruptor de seguridad del agua de la hoja
- Interrupteur de sécurité de l'eau du disque



- Engine Coolant Temperature
- Temperatura del refrigerante del motor
- Température du liquide de refroidissement du moteur



- Keep Work Area Clean/Well Lit, Remove All Safety Hazards
- Mantenga el lugar de trabajo limpio/bien iluminado, quite todos los objetos peligrosos
- Maintenir la zone de travail propre et bien éclairée ; retirer tout ce qui constitue un risque.



- Dangerously High Noise Level
- Nivel sonoro peligrosamente alto
- Niveau de bruit élevé, dangereux



- Pay Extreme Attention to The Care And Protection Of The Machine Before Starting Up
- Preste suma atención al cuidado y protección de la máquina antes de ponerla en marcha
- Faire très attention à l'entretien et aux protections de la machine avant de la mettre en marche.



- Remove Tools From Area and Machine
- Quite todas las herramientas del lugar y la máquina
- Retirer les outils de la zone de travail et de la machine.



- Engine Oil Pressure
- Presión de aceite del motor
- Pression d'huile moteur



- Oil Required
- Requiere aceite
- Huile nécessaire



- Dipstick, Maintain Proper Oil Level
- Varilla de medición, mantenga el nivel de aceite correcto
- Jauge de niveau ; maintenir le niveau d'huile correct.



- Lubrication Point
- Punto de lubricación
- Point de lubrification



- High Range Travel Speed
- Velocidad alta de transporte
- Vitesse de déplacement, gamme haute



- Low Range Travel Speed
- Velocidad baja de transporte
- Vitesse de déplacement, gamme basse



- Electrical Switch-Off
- Interruptor eléctrico - apagado
- Commutateur électrique - Arrêt



- Electrical Switch-On
- Interruptor eléctrico - encendido
- Commutateur électrique - Marche



- Electrical Switch-Start
- Interruptor eléctrico - arranque
- Commutateur électrique - Démarrage



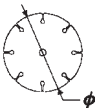
- Repairs Are To Be Done By An Authorized Dealer Only
- Las reparaciones debe hacerla un concesionario autorizado solamente
- Les réparations ne doivent être effectuées que par un concessionnaire agréé.



- Headlight
- Luz delantera
- Phare



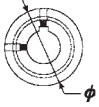
- Diamond Blade
- Hoja de diamante
- Disque en diamant



- Blade Diameter
- Diámetro de la hoja
- Diamètre du disque



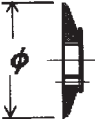
- Blade Engagement
- Engrane de la hoja
- Embrayage du disque



- Pulley diameter
- Diámetro de la polea
- Diamètre de poulie



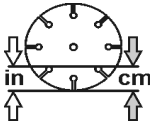
- Number of Revolutions Per Minute, Rotational Speed
- Número de revoluciones por minuto, velocidad rotacional
- Nombre de tours par minute, vitesse de rotation



- Blade Flange Diameter
- Diámetro de la brida de la hoja
- Diamètre du flasque de disque



- Blade Depth Stop
- Tope de profundidad de la hoja
- Butée de profondeur du disque



- Cutting Depth Indicator – Depth of Cut
- Indicador de profundidad de corte – Profundidad de corte
- Indicateur de profondeur de sciage – profondeur d'entaille



- Parking Brake
- Freno de estacionamiento
- Frein de stationnement



- Parking Brake Applied
- Freno de estacionamiento aplicado
- Frein de stationnement serré



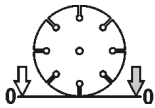
- Parking Brake Released
- Freno de estacionamiento desaplicado
- Frein de stationnement desserré



- Machine Mass (Kilograms)
- Peso de la máquina (kilogramos)
- Masse de la machine (kilos)



- Positive Battery Terminal
- Borne positivo de la batería
- Borne positive de batterie



- Blade Depth Indicator – Zero
- Indicador de profundidad de la hoja – cero
- Indicateur de profondeur de disque – zéro



- Electric Motor
- Motor eléctrico
- Moteur électrique



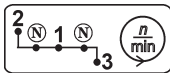
- Engine
- Motor de combustión
- Moteur



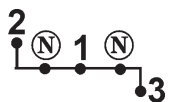
- Engine Speed Revolutions/Minute
- Revoluciones por minuto, velocidad del motor
- Régime moteur, tours/minute



- Engine Start
- Arranque del motor
- Démarrage du moteur



- Gearbox Range - Three-Speed Gearbox•
- Intervalo de la caja de marcha – Caja de marchas de tres velocidades
- Boîte de transmission à trois vitesses



- Gear: Select 1, 2, 3, or Neutral as shown on proper Blade Speed Chart.
- Marcha: Seleccione 1, 2, 3 o neutral según se muestra en la Tabla de velocidades de la hoja.
- Vitesses : Sélectionner 1, 2, 3 ou point mort (N) comme le montre le Tableau de vitesse spécifiée du disque.



- Lowering Speed Control Valve: Slow Lowering Speed.
- Válvula de control de disminución de velocidad: Disminución lenta de la velocidad
- Bouton de commande de vitesse d'abaissement : lente



**WARNING
POISON EXHAUST GAS**



THIS SAW IS SHIPPED FROM THE FACTORY *WITHOUT A CATALYTIC CONVERTER.* THE DIESEL ENGINE PRODUCES CARBON MONOXIDE EXHAUST EMISSIONS AND IS ***NOT SAFE*** FOR USE IN ENCLOSED AREAS. USE OF A CATALYTIC CONVERTER REDUCES THE CARBON MONOXIDE EXHAUST EMISSIONS, BUT STILL IS ***NOT SAFE*** FOR USE IN ENCLOSED AREAS.

USE ONLY IN WELL-VENTILATED AREAS. WORKSITE AIR QUALITY MUST COMPLY WITH OSHA 29 CFR 1910.1000 PER TABLE Z-1, LIMITS FOR AIR CONTAMINANTS.

MONITOR WORKSPACE AIR QUALITY TO INSURE COMPLIANCE. FAILURE TO COMPLY WILL RESULT IN DANGER TO LIFE AND CAUSE PERMANENT INJURY OR DEATH.

General Information

Carbon monoxide (CO) has the distinction of being one of the few commonly encountered industrial gasses that is both highly toxic (poison) and odorless. When inhaled, CO acts as a chemical asphyxiant by preferentially combining with hemoglobin in the blood stream. As a result, the hemoglobin is not able to transport its normal amount of oxygen, which results in under-oxygenation of tissues. Symptoms of low-level CO exposure include headaches, dizziness, confusion, and nausea. **However, loss of consciousness, permanent injury and death may result from continued or more intense exposure.** Because of the health hazards associated with CO inhalation, the Occupational Safety and Health Administration (OSHA) have imposed personal exposure limits. The OSHA exposure limits, which are specified in the 29 CFR 1910.1000 (1998 Revision), allow for a 200 PPM Ceiling Limit and a TWA of 35 PPM per 8-hour shift/40-hr workweek. It is strongly recommended that the OSHA 29 CFR 1910.1000 (Code of Federal Regulations) be consulted for more information on exposure limits for various hazardous materials. If CO Poisoning is suspected immediately remove the victim to fresh air and obtain emergency medical attention.

Proper Ventilation:

THIS SAW IS SHIPPED FROM THE FACTORY *WITHOUT A CATALYTIC CONVERTER.* It is important to be aware that saws with catalytic converters reduce CO and hydrocarbon (HC) emissions. The exhaust still contains CO. If the workspace is too confined or under-ventilated, CO may accumulate until it eventually exceeds OSHA limits. When this happens, action must be taken to remove workers from areas of high concentration. Operators and work area supervisors should take precautions to insure adequate ventilation of the workspace at all times. Carbon monoxide detection monitors should be used to determine that adequate ventilation exists.



**WARNING
HEARING HAZARD**

DURING NORMAL USE OF THIS MACHINE, OPERATOR MAY BE EXPOSED TO A NOISE LEVEL EQUAL TO **85 dB (A)** OR GREATER. TEMPORARY AND/OR PERMANENT DAMAGE TO HEARING MAY RESULT. HEARING PROTECTION REQUIRED.



DUST WARNING



Cutting, especially when DRY cutting, generates dust that comes from the material being cut, which frequently contains silica. Silica is a basic component of sand, quartz, brick clay, granite and numerous other minerals and rocks. Exposure to excessive amount of such dust can cause:

- Respiratory diseases (affecting your ability to breath), including chronic bronchitis, silicosis and pulmonary fibrosis from exposure to silica. These diseases may be fatal;
 - Skin irritation and rash; and
 - Cancer according to NTP* and IARC*
- * National Toxicology Program, International Agency for Research on Cancer

Take precautionary steps

- Avoid inhalation of and skin contact with dust, mist and fumes;
- Wet cut when feasible, to minimize dust;
- Wear and ensure that all bystanders wear appropriate respiratory protection such as dust masks designed to filter out microscopic particles. (See OSHA 29 CFR Part 1910.1200)

California Prop 65 Warning:

Use of this product can cause exposure to materials known to the State of California to cause cancer and/or birth defects or other reproductive harm.

Technical Data - Sound Level, EMC, and HAV

Sound Level

| MODEL | POWER LEVEL | PRESSURE LEVEL |
|----------------------------------------------|----------------------|--------------------------|
| | Lwa (dB) EN 23744 | Lpa (dB) EN ISO 11201 |
| FS6600 John Deere Diesel 66 HP (49 kW) | 119.0 | 94.8 |
| FS8400 John Deere Diesel 84 HP (63 kW) | 119.0 | 94.8 |

EMC

(ElectroMagnetic Compatibility)

This equipment has been tested for EMC using the methods outlined in EN14982:98. The tests found that the equipment did not to exceed the radiated emission limits. The saw was tested in a semi-anechoic chamber at NCEE, Lincoln, Nebraska, a FCC registered laboratory. The test report is on file at Husqvarna Construction Products, Olathe, Kansas.

HAV

(Hand-Arm Vibration)

This equipment has been tested for HAV in accordance with ISO 5349. The results are shown in the following chart.

| Model | Maximum Vibration (Aeq) in m/s ² | Maximum Exposure Time |
|-----------------|---------------------------------------------|-----------------------|
| FS 6600-FS 8400 | 3.0 - 3.6 | 48% |

The **Aeq** value is the measured continuous vibration at the extended handlebars expressed as acceleration with the units of m/s² (meters per second squared). The measured values were taken with a fully warmed engine, running at maximum rated RPM and a 900-mm blade. The measurement point was the grip of the extended handlebars. Instrumentation was a Larson Davis model HVM100 Human Vibration Meter and the SEN021 Triaxial Accelerometer. The accelerometer was secured to a hand adapter, which allows it to sense the same magnitude of vibration as the operator's hand.

The **Maximum Exposure Time** is a calculated value referenced to an 8-hour workday and the "daily exposure action value" of 2.5 m/s² as defined in Directive 2002/44/EC of 25 June 2002.

The time weighted daily vibration exposure time can be found with the following formula:

$$\text{Maximum Exposure Time} = (2.5/A_{eq})^2 \times 8 \text{ hours}$$

Normal operation of this equipment does not require the continuous contact of the hand to the handlebar. Observation of professional cutters using this saw has shown that the majority of operators actually hold the handle bars less than 25% of the cutting time.

Over exposure to vibrations can result in blood vessel or nerve injury to persons suffering with blood circulation problems. Seek medical attention if you experience physical symptoms that can be related to over exposure to vibrations. Examples of symptoms are numbness, lack of feeling, tingling, tickling, pain or a reduction of normal strength, or changes in skin color. These symptoms normally appear in the fingers, hand or wrists.



ADVERTENCIA
GASES DE ESCAPE VENENOSOS



ESTA SIERRA SALE DE FÁBRICA SIN UN CONVERTIDOR CATALÍTICO.
EL MOTOR DIESEL PRODUCE EMISIONES DE ESCAPE DE MONÓXIDO DE CARBONO Y **NO ES** SEGURO PARA UTILIZARSE EN LUGARES CERRADOS. EL USO DE UN CONVERTIDOR CATALÍTICO REDUCE LAS EMISIONES DE ESCAPE DE MONÓXIDO DE CARBONO, PERO AÚN ASÍ **NO ES SEGURO** PARA USAR EN LUGARES CERRADOS.

USAR SOLAMENTE EN LUGARES CON BUENA VENTILACIÓN. LA CALIDAD DEL AIRE DEL LUGAR DE TRABAJO DEBE CUMPLIR CON LA NORMA OSHA 29 CFR 1910.1000 SEGÚN LA TABLA Z-1, LÍMITES EN CUANTO A CONTAMINANTES DEL AIRE.

VIGILE LA CALIDAD DEL AIRE DEL LUGAR DE TRABAJO PARA ASEGURAR EL CUMPLIMIENTO. EL INCUMPLIMIENTO DE DICHA NORMA RESULTARÁ EN PELIGRO PARA LA VIDA Y CAUSARÁ LESIONES PERMANENTES O LA MUERTE.

Información general

El monóxido de carbono (CO) se distingue por ser uno de los pocos gases industriales más comunes que es tanto hipertóxico (veneno) como inodoro. Al inhalarlo, el CO actúa como un asfixiante químico, combinándose preferentemente con la hemoglobina en el torrente sanguíneo. Como resultado, la hemoglobina no es capaz de transportar su cantidad normal de oxígeno, dando por resultado una oxigenación deficiente de los tejidos. Los síntomas de una exposición a un nivel bajo de CO incluye dolor de cabeza, mareos, confusión y náuseas. **Sin embargo, puede ocurrir la pérdida del conocimiento, lesiones permanentes y la muerte cuando la exposición es continua y más intensa.** Debido a los peligros para la salud asociados con la inhalación de CO, la Administración para la Salud y Seguridad Ocupacional (OSHA) ha impuesto límites de exposición personal. Los límites de exposición estipulados por OSHA, los cuales son especificados en la norma 29 CFR 1910.1000 (Revisión 1998), permiten un límite máximo de 200 ppm y un promedio ponderado en el tiempo (TWA) de 35 ppm por jornada de 8 horas/40 hrs de semana laboral. Se recomienda consultar las reglamentaciones de OSHA 29 CFR 1910.1000 (código de reglamentaciones federales) para ampliar la información sobre límites de exposición de diversos materiales peligrosos. Si se sospecha un envenenamiento por CO, trasladar inmediatamente a la víctima al aire fresco y pedir atención médica de urgencia.

Ventilación adecuada:

ESTA SIERRA SALE DE FÁBRICA SIN UN CONVERTIDOR CATALÍTICO. Es importante ser consciente de que las sierras con convertidores catalíticos reducen las emisiones de CO y de hidrocarburo (HC). El gas de escape todavía contiene CO. Si el lugar de trabajo es demasiado confinado o insuficientemente ventilado, es posible que se acumule CO hasta finalmente superar los límites de la OSHA. Cuando esto sucede, deben tomarse medidas para retirar a los obreros de las zonas de concentración alta. Los operarios y los supervisores deben tomar medidas de precaución para asegurar una ventilación adecuada en el lugar de trabajo en todo momento. Se deben utilizar monitores de detección de monóxido de carbono para determinar que existe ventilación adecuada.



ADVERTENCIA
PELIGRO PARA LA AUDICIÓN

DURANTE EL USO NORMAL DE ESTA MÁQUINA, EL OPERADOR PUEDE ESTAR EXPUESTO A UN NIVEL SONORO IGUAL A **85 dB (A)** O MAYOR. ES POSIBLE QUE OCURRA DAÑO TEMPORAL Y/O PERMANENTE DE LA AUDICIÓN. SE REQUIERE PROTECCIÓN DE LOS OÍDOS.



ADVERTENCIA RELATIVA AL POLVO



El corte, especialmente cuando se corta en seco, genera polvo proveniente del material que se está cortando, el que frecuentemente contiene sílice. La sílice es un componente básico de la arena, cuarzo, arcilla de ladrillos, granito y varios otros minerales y rocas. La exposición a una cantidad excesiva de dicho polvo puede causar:

- Enfermedades respiratorias (que afectan la capacidad para respirar), incluyendo la bronquitis crónica, silicosis y fibrosis pulmonar debido a exposición a la sílice. Estas enfermedades pueden ser mortales.
 - Irritación y enrojecimiento de la piel; y
 - Cáncer de acuerdo a NTP* e IARC*
- * National Toxicology Program (Programa Nacional de Toxicología), Agencia Internacional para Investigación del Cáncer (International Agency for Research on Cancer)

Tome medidas de precaución

- Evite la inhalación del polvo, niebla y vapores como también su contacto con la piel;
- Corte en húmedo cuando sea posible, para reducir el polvo;
- Use, tanto usted como el personal en la obra, protección respiratoria apropiada tal como máscaras contra polvo diseñadas para filtrar las partículas microscópicas. (Consulte la reglamentación OSHA 29 CFR Parte 1910.1200)

Advertencia de la Proposición 65 del Estado de California

El uso de este producto puede causar exposición a materiales conocidos en el Estado de California como causantes de cáncer y/o defectos congénitos u otros daños reproductivos.

Datos técnicos - Nivel sonoro, EMC y HAV

Nivel sonoro

| MODELO | NIVEL DE POTENCIA | NIVEL DE PRESIÓN |
|----------------------------------------------|----------------------|--------------------------|
| | Lwa (dB) EN 23744 | Lpa (dB) EN ISO 11201 |
| FS6600 John Deere Diesel 66 HP (49 kW) | 119.0 | 94.8 |
| FS8400 John Deere Diesel 84 HP (63 kW) | 119.0 | 94.8 |

EMC

(Compatibilidad electromagnética)

Este equipo fue probado para compatibilidad electromagnética empleando los métodos descritos en EN14982:98. Estas pruebas encontraron que el equipo no sobrepasó los límites de emisiones radiadas. La sierra fue probada en una cámara semianecoica en NCEE, Lincoln, Nebraska, un laboratorio registrado en la FCC. El informe de la prueba se encuentra en archivo en Husqvarna Construction Products, Olathe, Kansas.

HAV

(Vibración de la mano y brazo)

Este equipo fue probado para vibración de la mano y brazo (HAV) de acuerdo con la norma ISO 5349. Los resultados se encuentran en la tabla siguiente.

| Modelo | Vibración máxima (Aeq) en m/s ² | Tiempo máximo de exposición |
|-----------------|--------------------------------------------|-----------------------------|
| FS 6600-FS 8400 | 3.0 - 3.6 | 48% |

El valor **Aeq** es la vibración continua medida en los manillares extendidos expresada como aceleración con las unidades de m/s² (metros por segundo cuadrado). Los valores medidos fueron tomados con un motor caliente, funcionando a velocidad máxima nominal (rpm) y una hoja de 900 mm. El punto de medición fue la empuñadura de los manillares extendidos. Los instrumentos fueron un Medidor de vibración en humanos Larson Davis modelo HVM100 y el acelerómetro triaxial SEN021. El acelerómetro fue fijado a un adaptador de mano, el cual permite sentir la misma magnitud de vibración que la mano del operador.

El **tiempo máximo de exposición** es un valor calculado tomando como referencia un día laboral de 8 horas y el “valor de acción de exposición diaria” de 2.5 m/s² como se estipula en la Directiva 2002/44/EC del 25 de junio de 2002. El tiempo de exposición a vibración diariamente ponderada en tiempo puede calcularse con la fórmula siguiente:

$$\text{Tiempo máximo de exposición} = (2.5/A_{eq})^2 \times 8 \text{ horas}$$

El funcionamiento normal de este equipo no requiere el contacto continuo de la mano con el manillar. La observación de cortadores profesionales utilizando esta sierra ha mostrado que la mayoría de los operadores realmente sujetan los manillares menos de un 25% del tiempo de corte.

La sobreexposición a las vibraciones puede resultar en lesiones a los vasos sanguíneos o nervios de las personas que sufren de trastornos de circulación sanguínea. Acuda a un médico si experimenta algún síntoma físico que pueda estar relacionado con la sobreexposición a vibraciones. Ejemplos de los síntomas son: adormecimiento, falta de sensación, hormigueo, cosquilleo, dolor o una reducción de la fuerza, o cambios en el color de la piel. Normalmente, estos síntomas aparecen en los dedos manos o muñecas.



AVERTISSEMENT GAZ D'ÉCHAPPEMENT TOXIQUES



CETTE SCIE EST EXPÉDIÉE DE L'USINE SANS CONVERTISSEUR CATALYTIQUE.
CE MOTEUR DIESEL DÉGAGE DES GAZ D'ÉCHAPPEMENT CONTENANT DE L'OXYDE DE CARBONE ET IL EST DONC **DANGEREUX** DE L'UTILISER DANS DES ENDROITS CLOS. L'UTILISATION D'UN CONVERTISSEUR CATALYTIQUE RÉDUIT LES GAZ D'ÉCHAPPEMENT CONTENANT DE L'OXYDE DE CARBONE, MAIS IL EST TOUJOURS **DANGEREUX** DE L'UTILISER DANS DES ENDROITS CLOS.

NE L'UTILISER QUE DANS DES ENDROITS BIEN AÉRÉS. LA QUALITÉ DE L'AIR DU CHANTIER DOIT ÊTRE CONFORME À LA RÉGLEMENTATION 29 CFR 1910.1000 DE L'OSHA, SELON LE TABLEAU Z-1, LIMITES DES CONTAMINANTS DE L'AIR.

SURVEILLER LA QUALITÉ DE L'AIR DU CHANTIER POUR VÉRIFIER LA CONFORMITÉ.
LE NON-RESPECT DES LIMITES ADMISES CONSTITUERA UNE MENACE POUR LA VIE ET PROVOQUERA DES LÉSIONS IRRÉVERSIBLES GRAVES OU MORTELLES.

Information générale

L'oxyde de carbone (CO) se distingue par sa nature : il est l'un des quelques gaz industriels fréquemment rencontrés qui est à la fois fortement toxique (poison) et sans odeur. Lorsqu'il est inhalé, l'oxyde de carbone devient un asphyxiant chimique car il se combine de manière préférentielle à l'hémoglobine dans le sang. L'hémoglobine ne peut alors plus transporter la quantité normale d'oxygène et les tissus sont ainsi privés d'oxygène. Parmi les symptômes d'une exposition à une faible dose d'oxyde de carbone, on note des maux de tête, des vertiges, une confusion et des nausées. **Il faut toutefois une exposition continue ou plus intense pour provoquer une perte de conscience, des lésions irréversibles et la mort.** En raison des dangers pour la santé associés à l'inhalation d'oxyde de carbone, l'Occupational Safety and Health Administration (OSHA) (É.-U.) (direction de la sécurité et de l'hygiène du travail) a imposé des limites d'exposition personnelles. Ces limites d'exposition de l'OSHA spécifiées dans 29 CFR 1910.1000 (révision 1998) autorisent une valeur maximale de 200 ppm et une valeur limite d'exposition pondérée dans le temps de 35 ppm par quart de 8 heures pour une semaine de travail de 40 heures. Il est fortement recommandé de consulter le règlement 29 CFR 1910.1000 de l'OSHA (Code de réglementations fédérales), ou l'organisme local approprié, pour plus d'informations sur les limites d'exposition aux diverses substances dangereuses. Si l'on soupçonne une intoxication à l'oxyde de carbone, mettre immédiatement la victime à l'air frais et demander une assistance médicale d'urgence.

Aération correcte :

CETTE SCIE EST EXPÉDIÉE DE L'USINE SANS CONVERTISSEUR CATALYTIQUE. Il est important de savoir que les scies équipées de convertisseurs catalytiques ont des émissions d'oxyde de carbone et d'hydrocarbure réduites. Mais les gaz d'échappement contiennent toujours de l'oxyde de carbone. Si l'espace de travail est trop confiné ou manque d'aération, l'oxyde de carbone risque de s'accumuler et de dépasser les limites admises. Dans ce cas, le personnel doit s'éloigner des zones de forte concentration. Les opérateurs et le personnel de supervision doivent prendre des précautions pour garantir en permanence une aération adéquate de l'espace de travail. Des détecteurs d'oxyde de carbone doivent être utilisés pour s'assurer de la présence d'une aération adéquate.



AVERTISSEMENT DANGER POUR L'OUÏE

DURANT L'UTILISATION NORMALE DE CETTE MACHINE, L'OPÉRATEUR RISQUE D'ÊTRE EXPOSÉ À UN NIVEAU DE BRUIT ÉGAL À **85 dB (a)** OU SUPÉRIEUR. IL PEUT EN RÉSULTER DES DOMMAGES TEMPORAIRES ET/OU IRRÉVERSIBLES. DISPOSITIF DE PROTECTION ANTIBRUIT REQUIS.



AVERTISSEMENT RELATIF À LA POUSSIÈRE



Le sciage et surtout le sciage À SEC produisent de la poussière qui provient du matériau taillé qui contient fréquemment de la silice. La silice est un élément de base du sable, du quartz, de la terre argileuse, du granit et de nombreux autres minéraux et roches. L'exposition à une quantité excessive d'une telle poussière peut causer :

- des maladies respiratoires (affectant la capacité de respirer), parmi lesquelles la bronchite chronique, la silicose et la fibrose pulmonaire résultant de l'exposition à la silice. Ces maladies peuvent être mortelles.
- Irritation de la peau, rougeurs et
- le cancer selon NTP* et IARC*
* National Toxicology Program (programme national de toxicologie), International Agency for Research on Cancer (Centre international de recherche sur le cancer).

Prendre des mesures de précaution

- Éviter l'inhalation de poussière, vapeurs et émanations ainsi que leur contact avec la peau ;
- Afin de minimiser la production de poussière, scier à l'eau autant que possible ;
- Porter et s'assurer que toutes les personnes présentes portent une protection des voies respiratoires appropriée telle qu'un respirateur antipoussières conçu pour filtrer les particules microscopiques. (Se reporter à la réglementation 29 CFR Part 1910.1200 de l'OSHA).

Proposition 65 de Californie – Avertissement :

L'utilisation de ce produit peut provoquer une exposition à des substances reconnues, par l'état de Californie, comme pouvant causer le cancer et/ou des malformations congénitales ou d'autres effets néfastes sur l'appareil reproducteur.

Données techniques – niveau sonore, CEM et VMB

Niveau sonore

| MODÈLE | NIVEAU DE PUISSANCE | NIVEAU DE PRESSION |
|----------------------------------------------|----------------------|--------------------------|
| | Lwa (dB) EN 23744 | Lpa (dB) EN ISO 11201 |
| FS6600 John Deere Diesel 66 HP (49 kW) | 119,0 | 94,8 |
| FS8400 John Deere Diesel 84 HP (63 kW) | 119,0 | 94,8 |

CEM

(Compatibilité électromagnétique)

Ce matériel a été testé pour la CEM en utilisant les méthodes décrites dans la directive EN14982:98. Les tests ont révélé que le matériel ne dépassait pas les limites d'émissions. Cette scie a été testée dans une chambre semi-anéchoïde, au NCEE (laboratoire enregistré auprès de la FCC) de Lincoln, au Nebraska, É.-U. Le rapport de ce test est archivé chez Husqvarna Construction Products, Olathe, Kansas, É.-U.

VMB

(Vibrations main-bras)

Ce matériel a été testé pour les vibrations main-bras conformément à ISO 5349. Les résultats sont indiqués dans le tableau suivant.

| Modèle | Vibrations maximum (Aeq) en m/s ² | Durée d'exposition maximum |
|-----------------|----------------------------------------------|----------------------------|
| FS 6600-FS 8400 | 3,0 - 3,6 | 48% |

La valeur **Aeq** représente les vibrations continues mesurées au guidon prolongé, exprimées en accélération, en unités m/s² (mètres par seconde au carré). Les valeurs mesurées ont été prises avec un moteur entièrement réchauffé, fonctionnant au régime nominal maximum et avec un disque de 900 mm. Le point de mesure était la poignée du guidon prolongé. L'instrumentation comprenait un vibromètre humain modèle HVM100 Larson Davis et l'accéléromètre triaxial SEN021. L'accéléromètre était fixé à un adaptateur manuel, ce qui lui permettait de détecter la même amplitude de vibrations que la main de l'opérateur.

La **durée d'exposition maximum** est une valeur calculée comme référence à une journée de travail de 8 heures et la « valeur d'action d'exposition journalière » de 2,5 m/s² telle que définie dans la Directive 2002/44/EC du 25 juin 2002.

La durée d'exposition aux vibrations journalière pondérée dans le temps se trouve à l'aide de la formule suivante :

$$\text{Durée d'exposition maximum} = (2,5/\text{Aeq})^2 \times 8 \text{ heures}$$

L'utilisation normale de ce matériel ne nécessite pas le contact continu de la main sur le guidon. L'observation de travailleurs professionnels utilisant cette scie a révélé que la majorité des opérateurs ne tiennent le guidon que moins de 25 % de la durée du sciage.

Une surexposition aux vibrations peut provoquer des lésions aux vaisseaux sanguins ou aux nerfs chez les personnes souffrant de problèmes de circulation sanguine. Consulter un médecin en cas de présence de symptômes physiques pouvant être liés à une surexposition aux vibrations. Exemples de ces symptômes : engourdissement, manque de sensation, fourmillements, picotements, douleur, réduction de la force normale ou changements de la couleur de la peau. Ces symptômes apparaissent généralement dans les doigts, les mains ou les poignets.

DECALS & LOCATIONS ETIQUETAS Y SU UBICACIÓN AUTOCOLLANTS ET LEURS EMPLACEMENTS

| GEARBOX RANGE / BLADE RPM (14-26, FS 6600 / FS 8400) P/N 504 11 98-07 | | | | | | |
|--------------------------------------------------------------------------|----------------------|---------------|-----------------|-----------|-----------------|-------------------|
| FLANGE SIZE | BLADE SIZE (Maximum) | GEARBOX RANGE | | BLADE RPM | | ENGINE RPM |
| | | GEAR | PULLEY | RPM | PULLEY | |
| 4.50" 114 mm | 14" 350 mm | 3 | 4.75" 121 mm | 3100 | 4.12" 105 mm | 3000 (Maximum) |
| | 20" 500 mm | 2 | | 2170 | | 2800 (Loaded) |
| | 26" / 650 mm | 1 | | 1860 | | |

GEARBOX RANGE / BLADE RPM (14-26)

TOP OF INSTRUMENT PANEL,
3 Speed Gearbox Models With
4.5" (114mm) Diameter Flanges
504 11 98-07

| GEARBOX RANGE / BLADE RPM (26-42, FS 6600 / FS 8400) P/N 504 11 98-02 | | | | | | |
|--------------------------------------------------------------------------|----------------------|---------------|-----------------|-----------|-----------------|-------------------|
| FLANGE SIZE | BLADE SIZE (Maximum) | GEARBOX RANGE | | BLADE RPM | | ENGINE RPM |
| | | GEAR | PULLEY | RPM | PULLEY | |
| 7.00" 178 mm | 26" 650 mm | 3 | 4.12" 105 mm | 1960 | 5.60" 142 mm | 3000 (Maximum) |
| | 36" 900 mm | 2 | | 1380 | | 2800 (Loaded) |
| | 42"/1000 mm | 1 | | 1180 | | |

GEARBOX RANGE / BLADE RPM (26-42)

TOP OF INSTRUMENT PANEL,
3 Speed Gearbox Models With
7.0" (178mm) Diameter Flanges
504 11 98-02

| GEARBOX RANGE / BLADE RPM (18-30, FS 6600 / FS 8400) P/N 504 11 98-08 | | | | | | |
|--------------------------------------------------------------------------|----------------------|---------------|-----------------|-----------|-----------------|-------------------|
| FLANGE SIZE | BLADE SIZE (Maximum) | GEARBOX RANGE | | BLADE RPM | | ENGINE RPM |
| | | GEAR | PULLEY | RPM | PULLEY | |
| 5.00" 127 mm | 18" 450 mm | 3 | 4.12" 105 mm | 2680 | 4.12" 105 mm | 3000 (Maximum) |
| | 26" 650 mm | 2 | | 1880 | | 2800 (Loaded) |
| | 30" / 750 mm | 1 | | 1600 | | |

GEARBOX RANGE / BLADE RPM (18-30)

TOP OF INSTRUMENT PANEL,
3 Speed Gearbox Models With
5.0" (127mm) Diameter Flanges
504 11 98-08

| GEARBOX RANGE / BLADE RPM (30-48, FS 8400) P/N 504 11 98-05 | | | | | | |
|----------------------------------------------------------------|----------------------|---------------|-----------------|-----------|-----------------|-------------------|
| FLANGE SIZE | BLADE SIZE (Maximum) | GEARBOX RANGE | | BLADE RPM | | ENGINE RPM |
| | | GEAR | PULLEY | RPM | PULLEY | |
| 8.00" 203 mm | 30" 762 mm | 3 | 4.12" 105 mm | 1600 | 6.90" 175 mm | 3000 (Maximum) |
| | 42" 1066 mm | 2 | | 1150 | | 2800 (Loaded) |
| | 48" / 1219mm | 1 | | 980 | | |

GEARBOX RANGE / BLADE RPM (30-48)

TOP OF INSTRUMENT PANEL,
3 Speed Gearbox Models With
8.0" (203mm) Diameter Flanges
504 11 98-05

| GEARBOX RANGE / BLADE RPM (20-36, FS 6600 / FS 8400) P/N 504 11 98-09 | | | | | | |
|--------------------------------------------------------------------------|----------------------|---------------|-----------------|-----------|-----------------|-------------------|
| FLANGE SIZE | BLADE SIZE (Maximum) | GEARBOX RANGE | | BLADE RPM | | ENGINE RPM |
| | | GEAR | PULLEY | RPM | PULLEY | |
| 6.00" 152 mm | 20" 500 mm | 3 | 4.12" 105 mm | 2300 | 4.75" 121 mm | 3000 (Maximum) |
| | 30" 750 mm | 2 | | 1620 | | 2800 (Loaded) |
| | 36" / 900 mm | 1 | | 1360 | | |

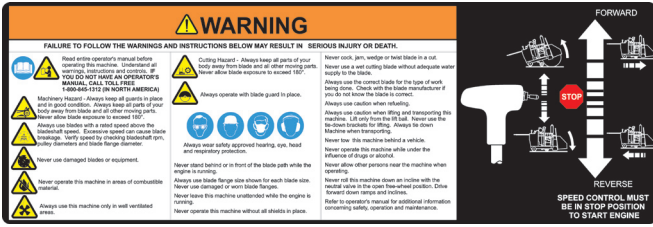
GEARBOX RANGE / BLADE RPM (20-36)

TOP OF INSTRUMENT PANEL,
3 Speed Gearbox Models With
6.0" (152mm) Diameter Flanges
504 11 98-09



GEARBOX RANGE
ON GEARBOX SHIFT PATTERN BRACKET,
3 SPEED GEARBOX MODELS ONLY
542 19 05-95*

DECALS & LOCATIONS ETIQUETAS Y SU UBICACIÓN AUTOCOLLANTS ET LEURS EMPLACEMENTS



OPERATING INSTRUCTIONS
TOP OF COWL
504 12 29-01 Standard
504 12 29-02 CE version



WARNING:

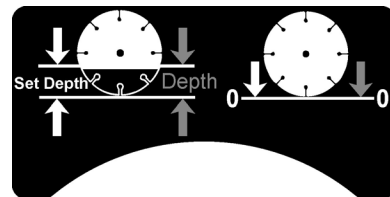
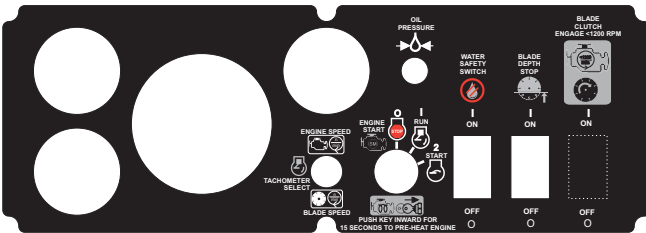
- 1) Rear of Cowl above opening to transmission, Top of Frame
 - 2) Both Sides of Engine by Lift Bail Mount
 - 3) Front top of Frame, Below Right Angle Gear Box
- 542 17 62-23* (x4)



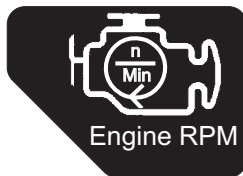
OPERATING INSTRUCTIONS
INSTRUMENT PANEL
542 20 64-77



DIESEL FUEL DECAL
TOP LEFT OF COWL
542 18 10-59*



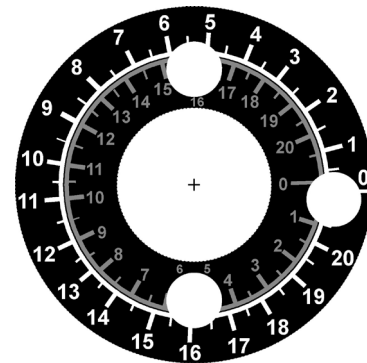
DEPTH INDICATOR, TOP
542 19 97-13 Standard
504 63 01-01 CE Version



THROTTLE, DIESEL
LEFT OF INSTRUMENT PANEL
542 18 37-69*



BLADE ROTATION DIRECTION
TOP OF BLADE GUARD
542 16 72-89*



DEPTH INDICATOR
542 19 97-14 Standard
504 62 84-01 CE Version

DECALS & LOCATIONS ETIQUETAS Y SU UBICACIÓN AUTOCOLLANTS ET LEURS EMPLACEMENTS



HUSQVARNA DECAL, 250mm Long
REAR OF COWL
542 19 07-33*

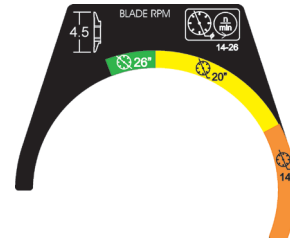


HUSQVARNA CROWN "H" DECAL
FRONT OF HOOD (LATER FS 6600 D MODELS)
542 19 07-35



FS 6600 D

HUSQVARNA FS 8400 D DECAL
SIDES OF COWL (FS 6600 D ONLY)
542 19 07-02 (2X)

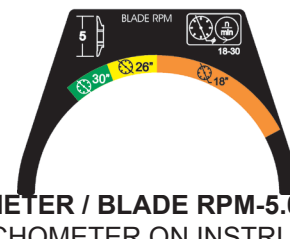


TACHOMETER / BLADE RPM-4.5" FLANGE
ABOVE TACHOMETER ON INSTRUMENT PANEL
542 20 65-47

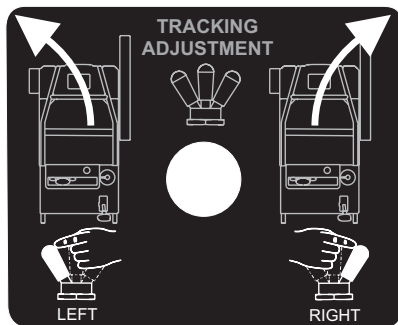


FS 8400 D

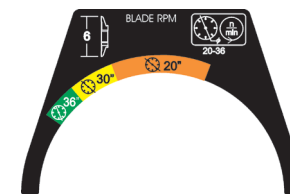
HUSQVARNA FS 8400 D DECAL
SIDES OF COWL (FS 8400 D ONLY)
542 19 07-01 (2X)



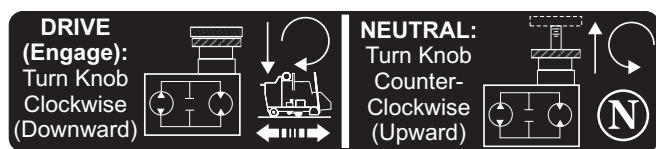
TACHOMETER / BLADE RPM-5.0" FLANGE
ABOVE TACHOMETER ON INSTRUMENT PANEL
542 20 65-48



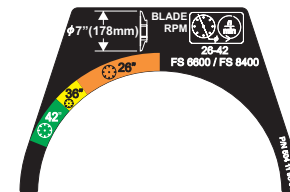
EASY TRACK
TOP OF INSTRUMENT PANEL
542 19 94-33



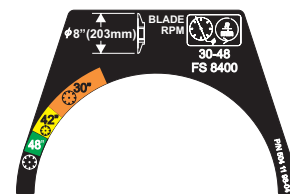
TACHOMETER / BLADE RPM-6.0" FLANGE
ABOVE TACHOMETER ON INSTRUMENT PANEL
542 20 65-49



TRANSMISSION BYPASS VALVE
FRAME - NEAR VALVE
542 19 06-28



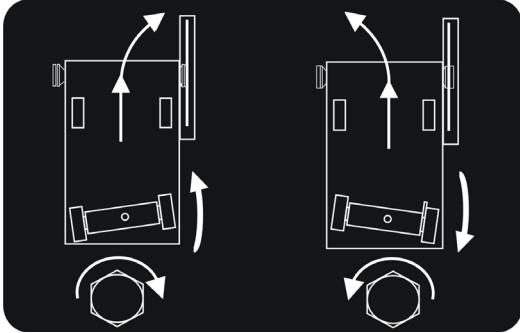
TACHOMETER / BLADE RPM-7.0" FLANGE
ABOVE TACHOMETER ON INSTRUMENT PANEL
504 11 98-01



TACHOMETER / BLADE RPM-8.0" FLANGE
ABOVE TACHOMETER ON INSTRUMENT PANEL
504 11 98-04

* NOTE: Part No's. in the manual that have an ASTRISK (*) suffix may not be active 9-digit numbers. The '542' prefix has been added temporarily to current 6-digit part numbers and '0' to 8-digit part numbers.

DECALS & LOCATIONS ETIQUETAS Y SU UBICACIÓN AUTOCOLLANTS ET LEURS EMPLACEMENTS



MANUAL AXLE ADJUSTMENT
REAR OF COWL
542 19 94-35

| ENGINE SPEED / BLADE SIZE | | | | | | |
|---------------------------|-------------|-------------|-------------|--------------|-------------|---------|
| BLADE SIZE | FLANGE SIZE | BLADE SHAFT | | ENGINE SPEED | | |
| | | LOADED RPM | PULLEY SIZE | LOADED RPM | PULLEY SIZE | MAX RPM |
| 14" | 5" | 2400 | 4.12" | 2800 | 4.75" | 3000 |
| 18" | 5" | 2400 | 4.12" | 2800 | 4.75" | 3000 |
| 26" | 5" | 1800 | 4.75" | 2800 | 4.12" | 3000 |
| 30" | 5" | 1600 | 4.75" | 2800 | 3.65" | 3000 |
| 36" | 6" | 1350 | 5.60" | 2800 | 3.65" | 3000 |
| 42" | 7" | 1180 | 6.4" | 2800 | 3.65" | 3000 |

FS 6600 BLADESPEED CHART (1 SPEED MODELS)
TOP OF INSTRUMENT PANEL
542 19 94-34 Standard
542 19 94-32 CE version



BLADE GUARD WARNING,
TOP OF BLADE GUARD
542 04 61-28*

| 450 mm | 650 mm | 750 mm | 900 mm | 1050 mm | 127 mm | 120 mm | 142 mm | 163 mm | 2400 | 1800 | 1600 | 1350 | 1180 | 600 - 650 mm | 700 - 750 mm | 750 - 900 mm | 1000 - 1050 mm | 121 mm | 105 mm | 93 mm | 93 mm | 2800 | 2800 | 2800 | 2800 | 2800 |
|--------|--------|--------|--------|---------|--------|--------|--------|--------|------|------|------|------|------|--------------|--------------|--------------|----------------|--------|--------|-------|-------|------|------|------|------|------|
| | | | | | | | | | | | | | | | | | | | | | | | | | | |



BLADE GUARD WARNING,
TOP OF BLADE GUARD
542 16 72-98*



MUFFLER HOT,
Front Side of Muffler Brace
Right Side Top of Fan Shield
542 16 90-65* (x2)

DECALS & LOCATIONS ETIQUETAS Y SU UBICACIÓN AUTOCOLLANTS ET LEURS EMPLACEMENTS

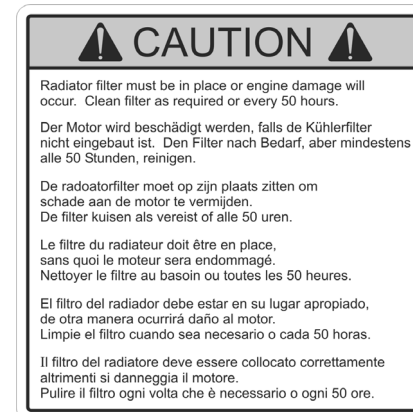
| ENGINE SPEED / BLADE SIZE | | | | | | |
|---------------------------|-------------|-------------|-------------|--------------|-------------|---------|
| BLADE SIZE | FLANGE SIZE | BLADE SHAFT | | ENGINE SPEED | | |
| | | LOADED RPM | PULLEY SIZE | LOADED RPM | PULLEY SIZE | MAX RPM |
| 18" | 5" | 2400 | 4.12" | 2800 | 4.75" | 3000 |
| 26" | 5" | 1800 | 4.75" | 2800 | 4.12" | 3000 |
| 30" | 5" | 1600 | 4.75" | 2800 | 3.65" | 3000 |
| 36" | 6" | 1350 | 5.60" | 2800 | 3.65" | 3000 |
| 48" | 8" | 1080 | 6.9" | 2800 | 3.65" | 3000 |
| 60" | 10" | 810 | 9.3" | 2800 | 3.65" | 3000 |

FS 8400 BLADESPEED CHART (1 SPEED MODELS)
TOP OF INSTRUMENT PANEL
542 19 98-85 Standard
542 19 98-86 CE version

| Blade Size | Flange Size | Shaft Dia | Shaft Length | Loaded RPM | Blade Dia | Max RPM |
|------------|-------------|-----------|--------------|----------------|-----------|---------|
| 450 mm | 127 mm | 105 mm | 2400 | 600 - 650 mm | 121 mm | 2800 |
| 650 mm | 127 mm | 120 mm | 1800 | 600 - 650 mm | 105 mm | 2800 |
| 750 mm | 127 mm | 120 mm | 1600 | 700 - 750 mm | 93 mm | 2800 |
| 900 mm | 152 mm | 142 mm | 1350 | 750 - 900 mm | 93 mm | 2800 |
| 1200 mm | 203 mm | 175 mm | 1080 | 1000 - 1200 mm | 93 mm | 2800 |
| 1500 mm | 250 mm | 235 mm | 810 | 1250 - 1500 mm | 93 mm | 2800 |



**RADIATOR FILTER
REAR COWLING**
542 16 68-53* Standard
542 18 10-26* CE version



**Covered By One Or More
Of The Following
U.S. Patents:**

4333685, 4333686, 4744604,
4827559, 4921308, 4968099,
4986604, 5241946, 5381780,
5477844, 5680854, 5690391,
5743247, 5809985, 5810448
D337037, D346104, D369816,
D371373, D379094

Other U.S. And Foreign
Patents Pending

PATENTS
542 18 04-27*



**SOUND LEVEL - CE
TOP OF BLADE GUARD**
542 19 60-29*

* NOTE: Part No's. in the manual that have an ASTRISK (*) suffix may not be active 9-digit numbers. The '542' prefix has been added temporarily to current 6-digit part numbers and '0' to 8-digit part numbers.

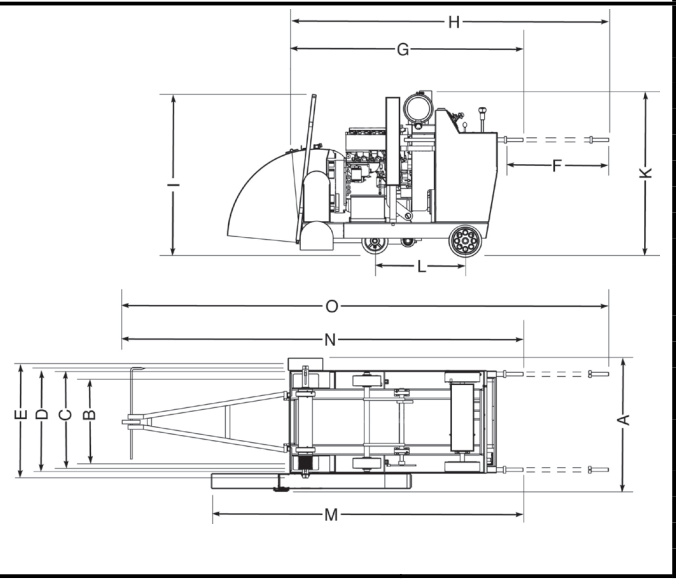
FS6600 DIESEL SPECIFICATIONS

Standard & CE Models

| FS6600 Diesel Model | FS6600 18" | FS6600 26" | FS6600 30" | FS6600 36" | FS6600 42" |
|---------------------------------------------------|-------------------------------------------------------------------------------------------------------------------------------------------------------------------------------------------------------------------------------------------------|--------------------------------------------------------------------------------------------------------------------|-----------------|-----------------|------------------|
| FS6600 Diesel Model – CE | FS6600 450mm | FS6600 650mm | FS6600 750mm | FS6600 900mm | FS6600 1000mm |
| ALL SAWS FEATURE: | | | | | |
| Blade Guard Capacity - in. (mm) | 18 (457) | 26 (660) | 30 (762) | 36 (914) | 42 (1,067) |
| Max. Depth of Cut - in. (mm) | 6.50 (165) | 10.50 (267) | 12.50 (318) | 15 (381) | 20.50 (508) |
| Blade Shaft RPM | 2,400 | 1,800 | 1,600 | 1,350 | 1,180 |
| Approximate Blade Shaft HP | 60 Horsepower | | | | |
| Arbor Size in. (mm) | 1" (25.4) with single drive pin | | | | |
| Quick Disconnect Blade Flange Diameter – in. (mm) | 5 (127) | 5 (127) | 5 (127) | 6 (152) | 7 (178) |
| Blade Shaft Diameter - in. (mm) | 2" (51) | | | | |
| Blade Shaft Bearings | Cast Sealed blade shaft with 4 maintenance-free ball bearings | | | | |
| Blade Shaft Drive | Dual 8-groove banded 3VX V-belts (16 grooves total) | | | | |
| Blade Coolant | Zinc plated dual multiple-jet water spray tubes | | | | |
| Blade Guard Attachment | Slip-on through 36" (900mm); Bolt-On for 42" (1000mm), auto-latch | | | | |
| Blade Control | Electro-hydraulic pump raises blade; switch controlled raise/lower on speed control handle; switch controlled positive depth stop; dial type cutting depth indicator; blade drive disengagement system (clutch); quick disconnect blade flanges | | | | |
| Axle | Front | 1.25" (31.75 mm) diameter | | | |
| | Rear | Easy Adjust Center Pivot w/2 Hydraulic Powered Wheel Motors | | | |
| Wheels | Front | 8" x 3" x 1" (203mm x 76mm x 25.4mm) | | | |
| | Rear | Thick polyurethane tread; sealed ball bearing requiring less maintenance 10" x 3" x 1.25" (254mm x 76mm x 32mm) | | | |
| Transmission | Solid rubber, Quick disconnect Hydrostatic Pump, w/2 Hydraulic Wheel Motors connected with hoses, neutral start switch, single handle speed control, Hydraulic bypass valve for pushing. | | | | |
| Max. Ground Speed | Infinitely variable: 0 – 300 FPM forward & reverse. (25 M/min maximum reverse speed on CE models) | | | | |
| Chassis | Heavy-duty, rigid, box and channel section construction | | | | |
| Weight – lb. (Kg) – Uncrated | 1,789 (812) | 1,811 (822) | 1,832 (831) | 1,863 (845) | 1,888 (857) |

| POWER SOURCE: | |
|---------------------------------|--------------------------------------------------------|
| Engine | John Deere Turbocharged Diesel |
| Specifications | 4024TF270 |
| Max. Horsepower | 66 @ 2,800 RPM DIN. (49.2 kW) |
| Displacement cu. in. (l) | 149 cu. in. (2.44 liter) |
| Bore – in. (mm) | 3.39 (86) |
| Stroke – in. (mm) | 4.13 (105) |
| Cylinders | 4 |
| Fuel Capacity – gal. (l) | 10 (37.8) |
| Oil Capacity – qt. (l) | 8.5 (8) with filter <u>OR</u> 7.6 (7.2) without filter |
| Air Filter | Radial Seal with pre-cleaner and restriction indicator |
| Starter | Electric |
| Engine Coolant | 50/50 Water/Ethyl Glycol Mix |

| SAW DIMENSIONS w/ 36" (900mm) guard: | | | |
|-----------------------------------------------------------|---------|--------|--|
| | Inches | Metric | |
| | | (mm) | |
| A Saw Width | 37-3/8 | 949 | |
| B Center to Center Wheel Width (track) – FRONT | 24-5/8 | 625 | |
| Center to Center Wheel Width (track) – REAR | 25-1/4 | 642 | |
| C Outside to Outside Wheel Width - FRONT | 27-5/8 | 702 | |
| Outside to Outside Wheel Width - REAR | 28-1/4 | 717 | |
| D Frame Width | 29-1/2 | 749 | |
| E Inner Flange to Inner Flange Width | 32-1/2 | 825 | |
| F Handle Extension | 30 | 762 | |
| G Minimum Saw Length (handles in, pointer up, guard up) | 61 | 1,550 | |
| H Saw Length (pointer up, handles extended) | 84 | 2,133 | |
| I Maximum Overall Height (pointer up) | 53 | 1,346 | |
| Maximum Overall Height (top of pre-cleaner, pointer down) | 56 | 1,422 | |
| K Minimum Overall Height (no muffler, rotate pre-cleaner) | 49-1/2 | 1,255 | |
| L Wheel Base | 24 | 610 | |
| M Guard to Handle Length (handles in) | 75 | 1,905 | |
| N Maximum Overall Length (handles in) | 106 1/2 | 2,705 | |
| O Maximum Overall Length (handles extended) | 129 | 3,276 | |



FS8400 DIESEL SPECIFICATIONS

Standard & CE Models

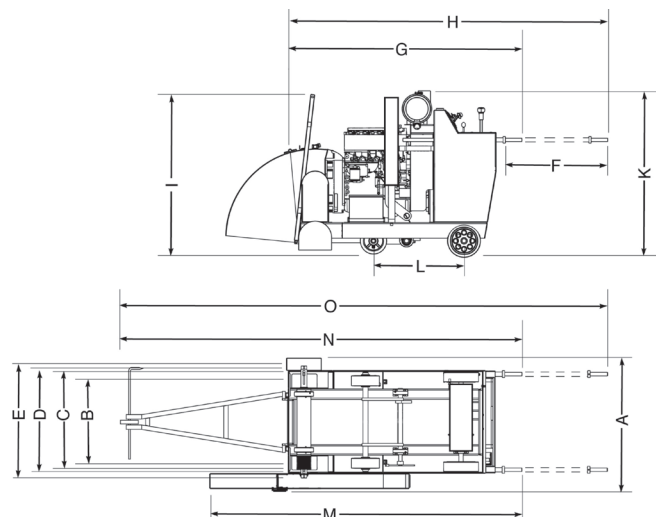
| FS8400 Diesel Model | FS8400 18" | FS8400 26" | FS8400 30" | FS8400 36" | FS8400 42" | FS8400 48" | FS8400 60" |
|---------------------------------------------------|-------------------------------------------------------------------------------------------------------------------------------------------------------------------------------------------------------------------------------------------------|---------------------------------------------------------------------------------------------------------------|-----------------|-----------------|---------------|----------------|------------------|
| FS8400 Diesel Model CE | FS8400 450mm | FS8400 600mm | FS8400 750mm | FS8400 900mm | N/A | FS84 1200mm | FS8400 1500mm |
| ALL SAWS FEATURE: | | | | | | | |
| Blade Guard Capacity - in. (mm) | 18 (457) | 26 (660) | 30 (762) | 36 (914) | 42 (1,067) | 48 (1,219) | 60 (1,524) |
| Max. Depth of Cut - in. (mm) | 6.50 (165) | 10.50 (267) | 12.50 (318) | 15 (381) | 17.50 (508) | 20.50 (508) | 25 (635) |
| Blade Shaft RPM | 2,400 | 1,800 | 1,600 | 1,350 | 1,180 | 1,080 | 815 |
| Approximate Blade Shaft HP | 72 Horsepower | | | | | | |
| Arbor Size – in. (mm) | 1" (25.4) with single drive pin up to 48" blade; 1" (25.4) with 6 bolt BHP on 60" blade | | | | | | |
| Quick Disconnect Blade Flange Diameter – in. (mm) | 5 (127) | 5 (127) | 5 (127) | 6 (152) | 7 (178) | 8 (205) | 10 (254) |
| Blade Shaft Diameter - in. (mm) | 2" (51) | | | | | | |
| Blade Shaft Bearings | Cast Sealed blade shaft with 4 maintenance-free ball bearings | | | | | | |
| Blade Shaft Drive | Dual 10-groove banded 3VX V-belts (20 grooves total) | | | | | | |
| Blade Coolant | Zinc plated dual multiple-jet water spray tubes | | | | | | |
| Blade Guard Attachment | Slip-on through 36"; Bolt-on for 42" – 60", auto-latch | | | | | | |
| Blade Control | Electro-hydraulic pump raises blade; switch controlled raise/lower on speed control handle; switch controlled positive depth stop; dial type cutting depth indicator; blade drive disengagement system (clutch); quick disconnect blade flanges | | | | | | |
| Axle | Front | 1.25" (31.75 mm) diameter | | | | | |
| | Rear | Easy Adjust Center Pivot w/2 Hydraulic Powered Wheel Motors | | | | | |
| Wheels | Front | 8" x 3" x 1" (203mm x 76mm x 25.4mm) Thick polyurethane tread; sealed ball bearing requiring less maintenance | | | | | |
| | Rear | 10" x 3" x 1.25" (254mm x 76mm x 32mm) Solid rubber, Quick disconnect | | | | | |
| Transmission | Hydrostatic Pump, w/2 Hydraulic Wheel Motors connected with hoses, neutral start switch, single handle speed control, Hydraulic bypass valve for pushing. | | | | | | |
| Max. Ground Speed | Infinitely variable: 0 – 300 FPM forward & reverse. (25 M/min maximum Reverse Speed on CE models) | | | | | | |
| Chassis | Heavy-duty, rigid, box and channel section construction | | | | | | |
| Weight – lb. (Kg) – Uncrated | 1,890 (858) | 1,910 (867) | 1,930 (876) | 1,960 (890) | 1,990 (903) | 2,050 (930) | 2,300 (1044) |

POWER SOURCE:

| | |
|---------------------------|--------------------------------------------------------------|
| Engine | John Deere Turbocharged Diesel |
| Specifications | 5030TF270 |
| Max. Horsepower | 84 @ 2,800 RPM DIN. (62.6 kW) |
| Displacement cu. in. (l) | 183 cu. in. (3 liter) |
| Bore / Stroke– in. (mm) | 3.39 (86) / 4.13 (105) |
| Cylinders / Stroke | 5 / 4 |
| Fuel Capacity – gal. (l.) | 9.75 (37) |
| Oil Capacity – qt. (l) | 11.8 (11.2) with filter <u>OR</u> 10.9 (10.6) without filter |
| Air Filter | Radial Seal with pre-cleaner and restriction indicator |
| Starter | Electric |
| Engine Coolant | 50/50 Water / Ethyl Glycol Mix |

SAW DIMENSIONS w/ 36" guard:

| model. | Inches | Metric mm |
|--------------------------------------------------------|---------|-----------|
| A Saw Width | 37-3/8 | 949 |
| B Center to Center Wheel Width (track) – FRONT | 24-5/8 | 625 |
| Center to Center Wheel Width (track) – REAR | 25-1/4 | 642 |
| C Outside to Outside Wheel Width - FRONT | 27-1/4 | 692 |
| Outside to Outside Wheel Width - REAR | 28-3/8 | 699 |
| D Frame Width | 29-1/2 | 749 |
| E Inner Flange to Inner Flange Width | 32-1/2 | 826 |
| F Handle Extension | 28-1/2 | 724 |
| G Min. Saw *Length (handles in, pointer & guard up) | 71-1/2 | 1,816 |
| H Saw *Length (pointer down, handles out) | 141-1/2 | 3,594 |
| I Maximum Overall Height (pointer up) | 53 | 1,346 |
| Max Overall Height (top of pre-cleaner, pointer down) | 64-1/2 | 1,632 |
| K Min. Overall Height (no muffler, rotate pre-cleaner) | 49-1/2 | 1,255 |
| L Wheel Base Length | 27-3/4 | 705 |
| M Guard to Handle Length (handles in) | 75 | 1,905 |
| N Maximum Overall *Length (handles in) | 106 1/2 | 2,705 |
| O Maximum Overall *Length (handles extended) | 129 | 3,276 |



ESPECIFICACIONES DE DIESEL FS6600

Modelos estándar y CE

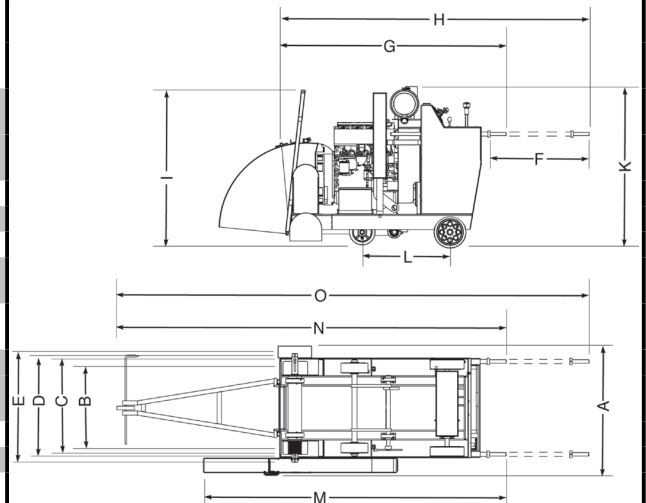
| Modelo diesel FS6600 | FS6600 18 pulg | FS6600 26 pulg | FS6600 30 pulg | FS6600 36 pulg | FS6600 42 pulg |
|------------------------------------------------|-----------------------------------------------------------------------------------------------------------------------------------------------------------------------------------------------------------------------------------------------------------------------------------------------------------------------------------------|------------------------------------------------------------------------------------------------------------------------------------------------------------------|-------------------|-------------------|-------------------|
| Modelo diesel FS6600 – CE | FS6600 450 mm | FS6600 650 mm | FS6600 750 mm | FS6600 900 mm | FS6600 1000 mm |
| CARACTERÍSTICA DE TODAS LAS SIERRAS: | | | | | |
| Capacidad del protector de la hoja - pulg (mm) | 18 (457) | 26 (660) | 30 (762) | 36 (914) | 42 (1067) |
| Profundidad máx. de corte - pulg (mm) | 6.50 (165) | 10.50 (267) | 12.50 (318) | 15 (381) | 20.50 (508) |
| RPM del eje de la hoja | 2400 | 1800 | 1600 | 1350 | 1180 |
| Potencia aproximada de la hoja | 60 hp | | | | |
| Tamaño del eje | 1 pulgada (25.4) con pasador de seguridad único | | | | |
| Brida de la hoja de desacople rápido | 5 | 5 | 5 | 6 | 7 |
| Diámetro – pulg (mm) | (127) | (127) | (127) | (152) | (178) |
| Diámetro del eje de la hoja - pulg (mm) | 2 (51) | | | | |
| Cojinetes del eje de la hoja | Eje fundido sellado con 4 cojinetes de bolas exentos de mantenimiento | | | | |
| Accionamiento del eje de la hoja | Dos correas trapezoidales acanaladas 3VX de 8 ranuras (16 ranuras en total) | | | | |
| Refrigerante de la hoja | Tubos zincados dobles rociadores de agua de múltiples boquillas | | | | |
| Fijación del protector de la hoja | Deslizante hasta 36 pulgadas; empernada – 42 pulgadas, autotractable | | | | |
| Control de la hoja | Bomba electrohidráulica eleva la hoja; elevación/descenso controlado por interruptor en la palanca de control de velocidad; tope de profundidad positivo controlado por interruptor; indicador de profundidad de corte tipo dial; sistema de desengrane del accionamiento de la hoja (embrague); bridas de la hoja de desacople rápido. | | | | |
| Eje | Delantero | 1.25 pulgadas (31.75 mm) diámetro | | | |
| | Trasero | Pivote central fácil de ajustar con 2 motores de ruedas hidráulicos | | | |
| Ruedas | Delanteras | 8 pulgadas x 3 pulgadas x 1 pulgada (203mm x 76mm x 25.4mm) Banda de rodamiento de poliuretano grueso; cojinetes de bolas sellados requieren menos mantenimiento | | | |
| | Traseras | 10 pulgadas x 3 pulgadas x 1.25 pulgadas (254mm x 76mm x 32mm) Caucho macizo, desacople rápido | | | |
| Transmisión | Bomba hidrostática, con 2 motores de ruedas hidráulicos conectados con mangueras, interruptor de arranque en neutro, control de velocidad de palanca única, válvula de derivación hidráulica para empuje. | | | | |
| Velocidad máx. de traslación | Infinitamente variable: 0 a 300 pies/min hacia adelante y hacia atrás. (Velocidad máx. hacia atrás 25 M/min en modelos CE) | | | | |
| Chasis | Robusto, rígido, construcción de perfiles en U y fundido de una sola pieza | | | | |
| Peso – lb (kg) – Desembalado | 1789 (812) | 1811 (822) | 1832 (831) | 1863 (845) | 1888 (857) |

FUENTE DE ALIMENTACIÓN:

| | |
|---------------------------------------------|-------------------------------------------------------|
| Motor | John Deere diesel turboalimentado |
| Especificaciones | 4024TF270 |
| Potencia máx | 66 a 2800 RPM DIN. (49.2 kW) |
| Cilindrada - pulg (l) | 149 pulg ³ (2.44 litros) |
| Diámetro – pulg (mm) | 3.39 (86) |
| Longitud – pulg (mm) | 4.13 (105) |
| Cilindros | 4 |
| Capacidad de combustible – galón (l) | 10 (37.8) |
| Capacidad de aceite – cuartos (l) | 8.5 (8) con filtro Ó 7.6 (7.2) sin filtro |
| Filtro de aire | Sello radial con prefiltro e indicador de restricción |
| Arranque | Eléctrico |
| Refrigerante del motor | 50/50 mezcla agua/glicoletileno |

DIMENSIONES DE LA SIERRA

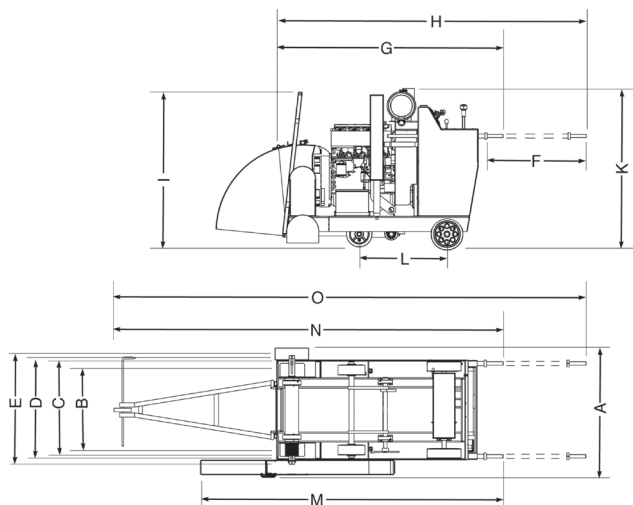
| con protector de 36 pulgadas (900mm): | | Pulgadas | Métrico (mm) |
|---------------------------------------|--------------------------------------------------------------------------------------|----------|--------------|
| A | Ancho de la sierra | 37-3/8 | 949 |
| B | Ancho entre centros de las ruedas (ancho de vía) – DELANTERAS | 24-5/8 | 625 |
| | Ancho entre centros de las ruedas (ancho de vía) – TRASERAS | 25-1/4 | 642 |
| C | Ancho entre paredes exteriores de las ruedas – DELANTERAS | 27-5/8 | 702 |
| | Ancho entre paredes exteriores de las ruedas – TRASERAS | 28-1/4 | 717 |
| D | Ancho del bastidor | 29-1/2 | 749 |
| E | Ancho entre bridas internas | 32-1/2 | 825 |
| F | Extensión del manillar | 30 | 762 |
| G | Longitud mínima de la sierra (manillares plegados, puntero arriba, protector arriba) | 61 | 1550 |
| H | Longitud de la sierra (puntero arriba, manillares extendidos) | 84 | 2133 |
| I | Altura máxima total (puntero arriba) | 53 | 1346 |
| | Altura máxima total (parte superior del prefiltro, puntero abajo) | 56 | 1422 |
| K | Altura mínima total (sin silenciador, prefiltro girado) | 49-1/2 | 1255 |
| L | Distancia entre ejes | 24 | 610 |
| M | Longitud entre protector y manillar (manillares plegados) | 75 | 1905 |
| N | Longitud máxima total (manillares plegados) | 106 1/2 | 2705 |
| O | Longitud máxima total (manillares extendidos) | 129 | 3276 |



ESPECIFICACIONES DE DIESEL FS8400

Modelos estándar y CE

| Modelo diesel FS8400 | FS8400 18 pulg | FS8400 26 pulg | FS8400 30 pulg | FS8400 36 pulg | FS8400 42 pulg | FS8400 48 pulg | FS8400 60 pulg |
|-------------------------------------------------------------------------------|----------------------------------------------------------------------------------------------------------------------------------------------------------------------------------------------------------------------------------------------------------------------------------------------------------------------------------------|-------------------------------------------------------------------------------------------------------------------------------------------|-------------------|-------------------|-------------------|-------------------|-------------------|
| Modelo diesel FS8400 CE | FS8400 450 mm | FS8400 650 mm | FS8400 750 mm | FS8400 900 mm | N/A | FS8400 1200 mm | FS8400 1500 mm |
| CARACTERÍSTICA DE TODAS LAS SIERRAS: | | | | | | | |
| Capacidad del protector de la hoja - pulg (mm) | 18 (457) | 26 (660) | 30 (762) | 36 (914) | 42 (1067) | 48 (1219) | 60 (1524) |
| Profundidad máx. de corte - pulg (mm) | 6.50 (165) | 10.50 (267) | 12.50 (318) | 15 (381) | 17.50 (508) | 20.50 (508) | 25 (635) |
| RPM del eje de la hoja | 2400 | 1800 | 1600 | 1350 | 1180 | 1080 | 815 |
| Potencia aproximada de la hoja | 72 hp | | | | | | |
| Tamaño de eje - pulg (mm) | 1 pulg (25.4) con pasador de seguridad único hasta hoja de 48 pulg; 1 (25.4) con 6 pernos BHP en hoja de 60 pulg | | | | | | |
| Brida de la hoja de desacople rápido | 5 | 5 | 5 | 6 | 7 | 8 | 10 |
| Diámetro - pulg (mm) | (127) | (127) | (127) | (152) | (178) | (205) | (254) |
| Diámetro del eje de la hoja - pulg (mm) | 2 (51) | | | | | | |
| Cojinetes del eje de la hoja | Eje fundido sellado con 4 cojinetes de bolas exentos de mantenimiento | | | | | | |
| Accionamiento del eje de la hoja | Dos correas trapezoidales acanaladas 3VX de 10 ranuras (20 ranuras en total) | | | | | | |
| Refrigerante de la hoja | Tubos zincados dobles rociadores de agua de múltiples boquillas | | | | | | |
| Fijación del protector de la hoja | Deslizante hasta 36 pulgadas; Empernado para 42 - 60 pulgadas, autotractable | | | | | | |
| Control de la hoja | Bomba electrohidráulica eleva la hoja; elevación/descenso controlado por interruptor en la palanca de control de velocidad; tope de profundidad positivo controlado por interruptor; indicador de profundidad de corte tipo dial; sistema de desengrane del accionamiento de la hoja (embrague); bridas de la hoja de desacople rápido | | | | | | |
| Eje | Delantero | 1.25" (31.75 mm) diámetro | | | | | |
| | Trasero | Pivote central fácil de ajustar con 2 motores de ruedas hidráulicos | | | | | |
| Ruedas | Delanteras | 8" x 3" x 1" (203mm x 76mm x 25.4mm) Banda de rodamiento de poliuretano grueso; cojinetes de bolas sellados requieren menos mantenimiento | | | | | |
| | Traseras | 10" x 3" x 1.25" (254mm x 76mm x 32mm) Caucho macizo, desacople rápido | | | | | |
| Transmisión | Bomba hidrostática, con 2 motores de ruedas hidráulicos conectados con mangueras, interruptor de arranque en neutro, control de velocidad de palanca única, válvula de derivación hidráulica para empuje. | | | | | | |
| Velocidad máx. de traslación | Infinitamente variable: 0 a 300 pies/min hacia adelante y hacia atrás. (Velocidad máx. hacia atrás 25 m/min en modelos CE) | | | | | | |
| Chasis | Robusto, rígido, construcción de perfiles en U y fundido de una sola pieza | | | | | | |
| Peso - lb (kg) - Desemballado | 1,890 (858) | 1,910 (867) | 1,930 (876) | 1,960 (890) | 1,990 (903) | 2,050 (930) | 2,300 (1044) |
| FUENTE DE ALIMENTACIÓN: | | | | | | | |
| Motor | John Deere diesel turboalimentado | | | | | | |
| Especificaciones | 5030TF270 | | | | | | |
| Potencia máx. | 84 a 2800 RPM DIN. (62.6 kW) | | | | | | |
| Cilindrada - pulg (l) | 183 pulg ³ (3 litros) | | | | | | |
| Diámetro / Longitud - pulg (mm) | 3.39 (86) / 4.13 (105) | | | | | | |
| Cilindros / Longitud | 5 / 4 | | | | | | |
| Capacidad de combustible - galón (l) | 9.75 (37) | | | | | | |
| Capacidad de aceite - cuartos (l) | 11.8 (11.2) con filtro Ó 10.9 (10.6) sin filtro | | | | | | |
| Filtro de aire | Sello radial con prefiltro e indicador de restricción | | | | | | |
| Arranque | Eléctrico | | | | | | |
| Refrigerante del motor | 50/50 mezcla agua/glicoletileno | | | | | | |
| DIMENSIONES DE LA SIERRA con protector de 36" (900mm) | | | | | | | |
| *Añadir aprox. 8 pulg (200 mm) a la longitud del modelo de 60 pulg (1500 mm). | | | | | | | |
| | | Pulgadas | Métrico | | | | |
| A | Ancho de la sierra | 37-3/8 | 949 | | | | |
| B | Ancho entre centros de las ruedas (ancho de vía) - DELANTERAS | 24-5/8 | 625 | | | | |
| | Ancho entre centros de las ruedas (ancho de vía) - TRASERAS | 25-1/4 | 642 | | | | |
| C | Ancho entre paredes exteriores de las ruedas - DELANTERAS | 27-1/4 | 692 | | | | |
| | Ancho entre paredes exteriores de las ruedas - TRASERAS | 28-3/8 | 699 | | | | |
| D | Ancho del bastidor | 29-1/2 | 749 | | | | |
| E | Ancho entre bridas internas | 32-1/2 | 826 | | | | |
| F | Extensión del manillar | 28-1/2 | 724 | | | | |
| G | Longitud* mínima de la sierra (manillares plegados, puntero arriba, protector arriba) | 71-1/2 | 1816 | | | | |
| H | Longitud* de la sierra (puntero arriba, manillares extendidos) | 141-1/2 | 3594 | | | | |
| I | Altura máxima total (puntero arriba) | 53 | 1346 | | | | |
| | Altura máxima total (parte superior del prefiltro, puntero abajo) | 64-1/2 | 1632 | | | | |
| K | Altura mínima total (sin silenciador, prefiltro girado) | 49-1/2 | 1255 | | | | |
| L | Distancia entre ejes | 27-3/4 | 705 | | | | |
| M | Longitud entre protector y manillar (manillares plegados) | 75 | 1905 | | | | |
| N | Longitud* máxima total (manillares plegados) | 106 1/2 | 2705 | | | | |
| O | Longitud* máxima total (manillares extendidos) | 129 | 3276 | | | | |



SPÉCIFICATIONS DU FS6600 DIESEL

Modèles standards et CE

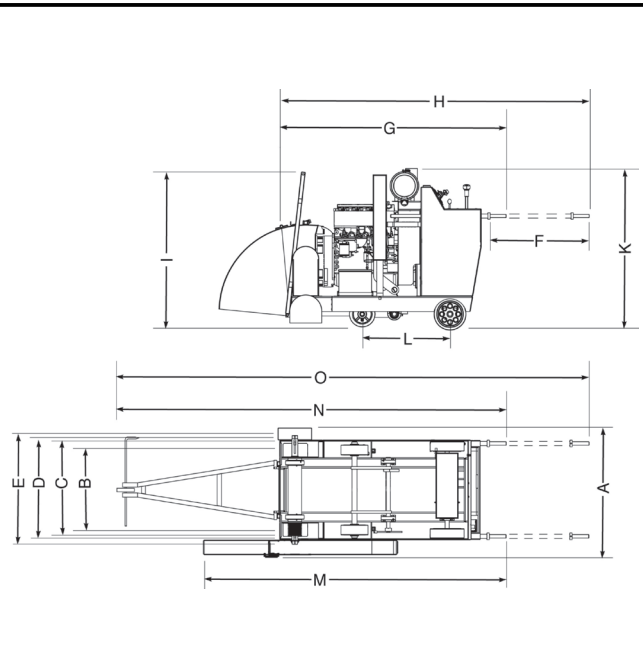
| Modèle FS6600 diesel | FS6600 18 po | FS6600 26 po | FS6600 30 po | FS6600 36 po | FS6600 42 po |
|---------------------------------------------|--------------------------------------------------------------------------------------------------------------------------------------------------------------------------------------------------------------------------------------------------------------------------------------------------------------------------------------------------------------|---------------------------------------------------------------------------------------------------------------------------------------------------------------------------------------------------|------------------|------------------|-------------------|
| Modèle FS6600 diesel – CE | FS6600 450 mm | FS6600 600 mm | FS6600 750 mm | FS6600 900 mm | FS6600 1000 mm |
| TOUTES LES SCIES COMPORTENT : | | | | | |
| Taille de la protection de disque – po (mm) | 18 (457) | 26 (660) | 30 (762) | 36 (914) | 42 (1 067) |
| Profondeur d'entaille maxi. – po (mm) | 6,50 (165) | 10,50 (267) | 12,50 (318) | 15 (381) | 20,50 (508) |
| Vitesse de rotation de l'axe de disque | 2 400 | 1 800 | 1 600 | 1 350 | 1 180 |
| Puissance approximative de l'axe de disque | 60 hp | | | | |
| Taille du mandrin | 1 po (25,4 mm) avec un seul doigt d'entraînement | | | | |
| Flasque de disque à détachement rapide | 5 | 5 | 5 | 6 | 7 |
| Diamètre – po (mm) | (127) | (127) | (127) | (152) | (178) |
| Diamètre de l'axe de disque – po (mm) | 2 (51) | | | | |
| Roulements de l'axe de disque | Axe de disque coulé, étanche, avec 4 roulements à billes sans entretien | | | | |
| Entraînement de l'axe de disque | Courroies doubles à bandes à 8 rainures 3VX (16 rainures au total) | | | | |
| Liquide de refroidissement du disque | Tubes de pulvérisation d'eau doubles, plaqués en zinc, à jets multiples | | | | |
| Fixation de la protection de disque | Amovible jusqu'à 36 po (900 mm); boulonnée pour 42 po (1 000 mm), verrouillage automatique | | | | |
| Commande du disque | Une pompe électrohydraulique relève le disque ; relevage/abaissement commandé par commutateur sur la manette de commande de vitesse ; butée de profondeur à commande directe par interrupteur ; indicateur de profondeur d'entaille à cadran ; dispositif de désengagement de l'entraînement du disque (embrayage) ; flasques de disque à détachement rapide | | | | |
| Essieu | Avant | 1,25 po (31,75 mm) diamètre | | | |
| | Arrière | Pivot central à réglage facile avec 2 moteurs de roue hydrauliques | | | |
| Roues | Avant | 8 po x 3 po x 1 po (203 mm x 76 mm x 25,4 mm) | | | |
| | Arrière | Bande de roulement en polyuréthane épais et roulements à billes étanches nécessitant moins d'entretien 10 po x 3 po x 1,25 po (254 mm x 76 mm x 32 mm) Caoutchouc plein, détachement rapide | | | |
| Transmission | Pompe hydrostatique, avec 2 moteurs hydrauliques de roues reliés par flexibles, interrupteur de sécurité de démarrage au point mort, commande de vitesse à une seule manette, robinet de dérivation hydraulique pour le poussage de la machine. | | | | |
| Vitesse maxi. de déplacement au sol | variable à l'infini : 0 à 300 pi/min en marche avant et arrière. (vitesse en marche arrière maxi de 25 m/min, sur les modèles CE) | | | | |
| Châssis | Robuste, rigide, construction en caisson profilé | | | | |
| Poids – lb (kg) - déballé | 1 789 (812) | 1 811 (822) | 1 832 (831) | 1 863 (845) | 1 888 (857) |

UNITÉ MOTRICE :

| | |
|----------------------------------------------|--------------------------------------------------------|
| Moteur | turbodiesel John Deere |
| Spécifications | 4024TF270 |
| Puissance maxi. | 66 hp à 2 800 tr/min DIN. (49,2 kW) |
| Cylindrée po³ (l) | 149 po ³ (2,44 litres) |
| Alésage – po (mm) | 3.39 (86) |
| Course – po (mm) | 4,13 (105) |
| Cylindres | 4 |
| Capacité en carburant – gal. U.S. (l) | 10 (37,8) |
| Capacité en huile – qt. U.S. (l) | 8,5 (8) avec filtre OU 7,6 (7,2) sans filtre |
| Filtre à air | Joint radial avec préfiltre et indicateur de colmatage |
| Démarrreur | électrique |
| Liquide de refroidissement du moteur | Mélange eau/éthylène-glycol 50/50 |

DIMENSIONS DE LA SCIE avec

| protection de 36 po : | poches | unités métriques |
|--------------------------------------------------------------------------------------|---------|------------------|
| A Largeur de la scie | 37-3/8 | 949 |
| B Écartement entre roues, centre à centre (largeur de voie) — AVANT | 24-5/8 | 625 |
| Écartement entre roues, centre à centre (largeur de voie) — ARRIÈRE | 25-1/4 | 642 |
| C Écartement entre roues, extérieur à extérieur — AVANT | 27-5/8 | 702 |
| Écartement entre roues, extérieur à extérieur — ARRIÈRE | 28-1/4 | 717 |
| D Largeur de châssis | 29-1/2 | 749 |
| E Largeur flasque intérieur à flasque intérieur | 32-1/2 | 825 |
| F Extension du guidon | 30 | 762 |
| G Longueur minimum de la scie (guidon rentré, indicateur relevé, protection relevée) | 61 | 1 550 |
| H Longueur de la scie (indicateur relevé, guidon allongé) | 84 | 2 133 |
| I Hauteur hors tout maximum (indicateur relevé) | 53 | 1 346 |
| Hauteur hors tout maximum (dessus du préfiltre, indicateur abaissé) | 56 | 1 422 |
| K Hauteur hors tout minimum (sans silencieux, préfiltre pivoté) | 49-1/2 | 1 255 |
| L Empattement | 24 | 610 |
| M Longueur entre protection et guidon (guidon rentré) | 75 | 1 905 |
| N Longueur hors tout maximum (guidon rentré) | 106 1/2 | 2 705 |
| O Longueur hors tout maximum (guidon allongé) | 129 | 3 276 |



SPÉCIFICATIONS DU FS8400 DIESEL

Modèles standards et CE

| Modèle FS8400 diesel | FS8400 18 po | FS8400 26 po | FS8400 30 po | FS8400 36 po | FS8400 42 po | FS8400 48 po | FS8400 60 po |
|---------------------------------------------|--------------------------------------------------------------------------------------------------------------------------------------------------------------------------------------------------------------------------------------------------------------------------------------------------------------------------------------------------------------|---------------------------------------------------------------------------------------------------------------------------------------------------|------------------|------------------|-----------------|-----------------|-------------------|
| Modèle FS8400 diesel CE | FS8400 450 mm | FS8400 600 mm | FS8400 750 mm | FS8400 900 mm | N/A | FS84 1200 mm | FS8400 1500 mm |
| TOUTES LES SCIES COMPORTENT : | | | | | | | |
| Taille de la protection de disque – po (mm) | 18 (457) | 26 (660) | 30 (762) | 36 (914) | 42 (1 067) | 48 (1 219) | 60 (1 524) |
| Profondeur d'entaille maxi. – po (mm) | 6,50 (165) | 10,50 (267) | 12,50 (318) | 15 (381) | 17,50 (508) | 20,50 (508) | 25 (635) |
| Vitesse de rotation de l'axe de disque | 2 400 | 1 800 | 1 600 | 1 350 | 1 180 | 1 080 | 815 |
| Puissance approximative de l'axe de disque | 72 hp | | | | | | |
| Taille du mandrin – po (mm) | 1 po (25,4) avec un seul doigt d'entraînement pour disque jusqu'à 48 po ; 1 po (25,4) avec BHP 6 boulons sur disque 60 po | | | | | | |
| Flasque de disque à détachement rapide | 5 | 5 | 5 | 6 | 7 | 8 | 10 |
| Diamètre – po (mm) | (127) | (127) | (127) | (152) | (178) | (205) | (254) |
| Diamètre de l'axe de disque - po (mm) | 2 po (51) | | | | | | |
| Roulements de l'axe de disque | Axe de disque coulé, étanche, avec 4 roulements à billes sans entretien | | | | | | |
| Entraînement de l'axe de disque | Courroies doubles à bandes à 10 rainures 3VX (20 rainures au total) | | | | | | |
| Liquide de refroidissement du disque | Tubes de pulvérisation d'eau doubles, plaqués en zinc, à jets multiples | | | | | | |
| Fixation de la protection de disque | Amovible jusqu'à 36 po ; boulonnée pour 42 à 60 po, verrouillage automatique | | | | | | |
| Commande du disque | Une pompe électrohydraulique relève le disque ; relevage/abaissement commandé par commutateur sur la manette de commande de vitesse ; butée de profondeur à commande directe par interrupteur ; indicateur de profondeur d'entaille à cadran ; dispositif de désengagement de l'entraînement du disque (embrayage) ; flasques de disque à détachement rapide | | | | | | |
| Essieu | Avant | 1,25 po (31,75 mm) de diamètre | | | | | |
| | Arrière | Pivot central à réglage facile avec 2 moteurs de roue hydrauliques | | | | | |
| Roues | Avant | 8 po x 3 po x 1 po (203 mm x 76 mm x 25,4 mm) Bande de roulement en polyuréthane épais ; roulement à billes étanche nécessitant moins d'entretien | | | | | |
| | Arrière | 10 po x 3 po x 1,25 po (254 mm x 76 mm x 32 mm) Caoutchouc plein, détachement rapide | | | | | |
| Transmission | Pompe hydrostatique, avec 2 moteurs hydrauliques de roues reliés par flexibles, interrupteur de sécurité de démarrage au point mort, commande de vitesse à une seule manette, robinet de dérivation hydraulique pour le poussage de la machine. | | | | | | |
| Vitesse maxi. de déplacement au sol | variable à l'infini : 0 à 300 pi/min en marche avant et arrière. (vitesse en marche arrière maxi de 25 m/min, sur les modèles CE) | | | | | | |
| Châssis | Robuste, rigide, construction en caisson profilé | | | | | | |
| Poids – lb (kg) - déballé | 1 890 (858) | 1 910 (867) | 1 930 (876) | 1 960 (890) | 1 990 (903) | 2 050 (930) | 2 300 (1 044) |

UNITÉ MOTRICE :

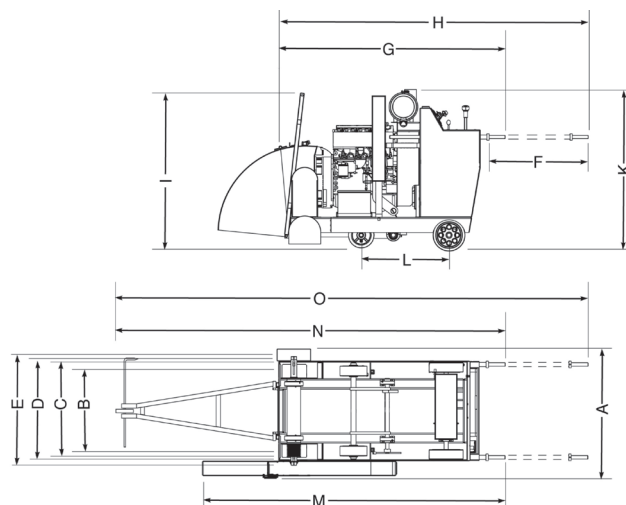
| | |
|----------------------------------------------|--------------------------------------------------------|
| Moteur | turbodiesel John Deere |
| Spécifications | 5030TF270 |
| Puissance maxi. | 84 hp à 2 800 tr/min DIN. (62,6 kW) |
| Cylindrée po³ (l) | 183 po ³ (3 litres) |
| Alésage/course – po (mm) | 3,39 (86) / 4,13 (105) |
| Cylindres/course | 5 / 4 |
| Capacité en carburant – gal. U.S. (l) | 9,75 (37) |
| Capacité en huile – qt. U.S. (l) | 11,8 (11,2) avec filtre OU 10,9 (10,6) sans filtre |
| Filtre à air | Joint radial avec préfiltre et indicateur de colmatage |
| Démarrreur | électrique |
| Liquide de refroidissement du moteur | Mélange eau/éthylène-glycol 50/50 |

DIMENSIONS DE LA SCIE

avec protection de 36 po :

*Ajouter environ 8 po (200mm) pour modèle de 60 po (1500mm) de long.

| | poches | unités métriques |
|--------------------------------------------------------------------------------|---------|------------------|
| A Largeur de la scie | 37-3/8 | 949 |
| B Écartement entre roues, centre à centre (largeur de voie) — AVANT | 24-5/8 | 625 |
| Écartement entre roues, centre à centre (largeur de voie) — ARRIÈRE | 25-1/4 | 642 |
| C Écartement entre roues, extérieur à extérieur — AVANT | 27-1/4 | 692 |
| Écartement entre roues, extérieur à extérieur — ARRIÈRE | 28-3/8 | 699 |
| D Largeur de châssis | 29-1/2 | 749 |
| E Largeur flasque intérieur à flasque intérieur | 32-1/2 | 826 |
| F Extension du guidon | 28-1/2 | 724 |
| G *Longueur mini. de la scie (guidon rentré, indicateur et protection relevés) | 71-1/2 | 1 816 |
| H *Longueur de la scie (indicateur abaissé, guidon allongé) | 141-1/2 | 3 594 |
| I Hauteur hors tout maximum (indicateur relevé) | 53 | 1 346 |
| Hauteur hors tout maxi. (dessus du préfiltre, indicateur abaissé) | 64-1/2 | 1 632 |
| K Hauteur hors tout mini. (sans silencieux, préfiltre pivoté) | 49-1/2 | 1 255 |
| L Empattement | 27-3/4 | 705 |
| M Longueur entre protection et guidon (guidon rentré) | 75 | 1 905 |
| N *Longueur hors tout maximum (guidon rentré) | 106 1/2 | 2 705 |
| O *Longueur hors tout maximum (guidon allongé) | 129 | 3 276 |



SPECIAL INSTRUCTIONS FOR CHANGING BLADE SPEED ON CONCRETE / ASPHALT SAWS



WARNING:

Do not exceed blade shaft speed shown for each blade size. Excessive blade speed could result in blade breakage and serious personal injury.

NOTE:

As shown on the chart, some blade guards accept more than one size blade.

INSTRUCCIONES ESPECIALES

PARA CAMBIAR LA VELOCIDAD EN LAS SIERRAS PARA HORMIGÓN / ASFALTO



ADVERTENCIA:

No sobrepase la velocidad del eje de la hoja indicada para cada tamaño de hoja. La velocidad excesiva de la hoja podría causar la rotura de la hoja y graves lesiones personales.

NOTA:

Tal como se indica en la tabla, algunos protectores de hojas aceptan más de una hoja de un tamaño.

INSTRUCTIONS SPÉCIALES

POUR LE CHANGEMENT DE LA VITESSE DU DISQUE SUR LES SCIES À BÉTON/ASPHALTE



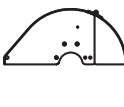









AVERTISSEMENT :

Ne pas faire tourner l'axe du disque à une vitesse supérieure à celle spécifiée pour chaque taille de disque. Une vitesse excessive pourrait faire casser le disque et provoquer des blessures graves.

REMARQUE :

Comme indiqué sur le tableau, certaines protections de disque conviennent à plusieurs tailles de disques.

Engine Speed / Blade Size Velocidad del motor / Tamaño de la hoja Régime moteur/taille de disque

|  |  | |  |  |  | |
|-------------------------------------------------------------------------------------|---------------------------------------------------------------------------------------|---------------------------------------------------------------------------------------|-------------------------------------------------------------------------------------|---------------------------------------------------------------------------------------|---------------------------------------------------------------------------------------|-----------------|
| | ϕ | $\frac{n}{min}$ | | | ϕ | $\frac{n}{min}$ |
| 18" | 5" | 4.12" | 2400 | 14" - 18" | 4.75" | 2800 |
| 26" | 5" | 4.75" | 1800 | 14" - 26" | 4.12" | 2800 |
| 30" | 5" | 4.75" | 1600 | 18" - 30" | 3.65" | 2800 |
| 36" | 6" | 5.60" | 1350 | 24" - 36" | 3.65" | 2800 |
| 42" | 7" | 6.40" | 1180 | 30" - 42" | 3.65" | 2800 |
| 48" | 8" | 6.90" | 1080 | 36" - 48" | 3.65" | 2800 |
| 60" | 10" | 9.30" | 815 | 48" - 60" | 3.65" | 2800 |
|  |  |  | $\frac{n}{min}$ |  |  | $\frac{n}{min}$ |
| 450 mm | 127 mm | 105 mm | 2400 | 350 - 450 mm | 121 mm | 2800 |
| 600 mm | 127 mm | 121 mm | 1800 | 350 - 600 mm | 105 mm | 2800 |
| 750 mm | 127 mm | 121 mm | 1600 | 450 - 750 mm | 93 mm | 2800 |
| 900 mm | 152 mm | 142 mm | 1350 | 600 - 900 mm | 93 mm | 2800 |
| 1000 mm | 178 mm | 163 mm | 1180 | 750 - 1000 mm | 93 mm | 2800 |
| 1200 mm | 203 mm | 175 mm | 1080 | 1000 - 1200 mm | 93 mm | 2800 |
| 1500 mm | 254 mm | 236 mm | 815 | 1200 - 1500 mm | 93 mm | 2800 |

Husqvarna FS 6600 D / FS 8400 D, 3 Speed Gearbox Models Modelos Husqvarna FS 6600 D / FS 8400 D, con caja de marchas de 3 velocidades

Husqvarna FS 6600 D / FS 8400 D, boîte de transmission à 3 vitesses

GEARBOX RANGE / BLADE RPM
(14-26, FS 6600 / FS 8400) P/N 504 11 98-07

| FLANGE SIZE | BLADE SIZE (Maximum) | GEARBOX RANGE | | BLADE RPM | | ENGINE RPM |
|-----------------|----------------------|---------------|-----------------|-----------|--------|-------------------|
| | | GEAR | PULLEY | RPM | PULLEY | |
| 4.50" 114 mm | 14" 350 mm | 3 | 4.75" 121 mm | 3100 | 4.12" | 3000 (Maximum) |
| | 20" 500 mm | 2 | 4.12" | 2170 | 105 mm | 2800 (Loaded) |
| | 26" / 650 mm | 1 | | 1860 | | |

GEARBOX RANGE / BLADE RPM
(26-42, FS 6600 / FS 8400) P/N 504 11 98-02

| FLANGE SIZE | BLADE SIZE (Maximum) | GEARBOX RANGE | | BLADE RPM | | ENGINE RPM |
|-----------------|----------------------|---------------|-----------------|-----------|--------|-------------------|
| | | GEAR | PULLEY | RPM | PULLEY | |
| 7.00" 178 mm | 26" 650 mm | 3 | 4.12" 105 mm | 1960 | 5.60" | 3000 (Maximum) |
| | 36" 900 mm | 2 | 5.60" | 1380 | 142 mm | 2800 (Loaded) |
| | 42"/1000 mm | 1 | | 1180 | | |

GEARBOX RANGE / BLADE RPM
(18-30, FS 6600 / FS 8400) P/N 504 11 98-08

| FLANGE SIZE | BLADE SIZE (Maximum) | GEARBOX RANGE | | BLADE RPM | | ENGINE RPM |
|-----------------|----------------------|---------------|-----------------|-----------|--------|-------------------|
| | | GEAR | PULLEY | RPM | PULLEY | |
| 5.00" 127 mm | 18" 450 mm | 3 | 4.12" 105 mm | 2680 | 4.12" | 3000 (Maximum) |
| | 26" 650 mm | 2 | 4.12" | 1880 | 105 mm | 2800 (Loaded) |
| | 30" / 750 mm | 1 | | 1600 | | |

GEARBOX RANGE / BLADE RPM
(30-48, FS 8400) P/N 504 11 98-05

| FLANGE SIZE | BLADE SIZE (Maximum) | GEARBOX RANGE | | BLADE RPM | | ENGINE RPM |
|-----------------|----------------------|---------------|-----------------|-----------|--------|-------------------|
| | | GEAR | PULLEY | RPM | PULLEY | |
| 8.00" 203 mm | 30" 762 mm | 3 | 4.12" 105 mm | 1600 | 6.90" | 3000 (Maximum) |
| | 42" 1066 mm | 2 | 6.90" | 1150 | 175 mm | 2800 (Loaded) |
| | 48" / 1219 mm | 1 | | 980 | | |

GEARBOX RANGE / BLADE RPM
(20-36, FS 6600 / FS 8400) P/N 504 11 98-09

| FLANGE SIZE | BLADE SIZE (Maximum) | GEARBOX RANGE | | BLADE RPM | | ENGINE RPM |
|-----------------|----------------------|---------------|-----------------|-----------|--------|-------------------|
| | | GEAR | PULLEY | RPM | PULLEY | |
| 6.00" 152 mm | 20" 500 mm | 3 | 4.12" 105 mm | 2300 | 4.75" | 3000 (Maximum) |
| | 30" 750 mm | 2 | 4.75" | 1620 | 121 mm | 2800 (Loaded) |
| | 36" / 900 mm | 1 | | 1360 | | |

ENGINE INFORMATION

The FS 6600 saw is equipped with a John Deere 4024TF270 4 -cylinder Diesel Engine. The FS 8400 saw is equipped with a John Deere 5030TF270 5-cylinder Diesel Engine. Upon receipt of your Saw, it is vitally important to register your engine with John Deere in order to receive a full warranty. Upon registering your engine, you will be ensuring that your John Deere servicing dealer network will be better prepared to meet all of your needs. Please take a few minutes to complete the [online warranty registration](#).

The best way to register is to go online to WWW.JOHNDEERE.COM/ENGINEWARRANTY. The link to the online warranty registration opens in a second browser window (popup window). If you have installed a popup filter, you may not have access to the warranty registration. To view the warranty registration, please disable the popup filter.

INFORMACIÓN DEL MOTOR

La sierra FS 6600 está provista de un motor diesel de 4 cilindros 4024TF270 John Deere. La sierra FS 8400 está provista de un motor diesel de 5 cilindros 5030TF270 John Deere. Al momento de recibir su sierra Husqvarna, es de vital importancia que inscriba su motor con John Deere para recibir los beneficios de una garantía completa. Al inscribir su motor, estará asegurándose de que la red de concesionarios de servicio John Deere estarán preparados para satisfacer todas sus necesidades. Por favor dedique unos pocos minutos a llenar el [formulario de inscripción de la garantía](#).

La mejor manera de inscribirla es a través de la internet en WWW.JOHNDEERE.COM/ENGINEWARRANTY. El enlace al formulario de inscripción de la garantía se abre en una segunda ventana de exploración (ventana pop-up) en internet. Si tiene instalado un filtro, es posible que no tenga acceso al formulario de inscripción de la garantía. Para ver la inscripción de garantía, inhabilite o desactive el filtro de popup.

INFORMATION SUR LE MOTEUR

La scie FS 6600 est équipée d'un moteur diesel à 4 cylindres 4024TF270 John Deere. La scie FS 8400 est équipée d'un moteur diesel à 5 cylindres 5030TF270 John Deere. Dès réception de votre scie Husqvarna, il est extrêmement important d'enregistrer le moteur auprès de John Deere, afin de bénéficier de la garantie complète. En enregistrant le moteur, vous serez assuré que le réseau des concessionnaires-réparateurs John Deere sera mieux préparé à répondre à tous vos besoins. Veuillez prendre quelques minutes pour effectuer [l'enregistrement de la garantie en ligne](#).

La meilleure façon d'enregistrer est de se rendre au site WWW.JOHNDEERE.COM/ENGINEWARRANTY. Le lien à l'enregistrement de garantie en ligne s'ouvre dans une seconde fenêtre du navigateur (fenêtre incrustée). Si vous avez installé un filtre fugitif, il est possible que vous ne puissiez accéder à l'enregistrement de garantie. Pour voir cet enregistrement, veuillez invalider le filtre fugitif

| JOHN DEERE ENGINE WARRANTY REGISTRATION | | | |
|----------------------------------------------------------------------------------------------------------------------------------------------------------------------------------------------------------------------------------------------------------------------------------------------------------------|------------------------------------------------------------------------------------------|-------------------|---------------|
| Purchaser's Name _____ | | | |
| MAILING Address _____ | | | |
| City _____ | State/Province _____ | Postal Code _____ | Country _____ |
| Engine Serial Number from Engine Serial Number Plate _____ (Required number is made up of <u>two letters</u> then <u>four digits</u> then <u>one letter</u> then <u>six digits</u> . All 13 characters required.) | | | |
| Date Engine Delivered _____ (Required) (Day) (Month) (Year) | Engine is _____ Original _____ Replacement | | |
| Equipment Manufacturer _____ (The <u>equipment</u> , not the engine.) | Equipment Description & Model _____ (What is it? What does the manufacturer call it?) | | |
| Does the engine provide the power to <u>move</u> the equipment from place to place? _____ Yes _____ No | | | |
| How will the equipment be used? _____ | | | |
| The John Deere <i>Operation and Maintenance Manual</i> for the above engine was received. The warranty, safe operation, and proper servicing of the engine were explained to me. I have received and have read the Engine Owner's Warranty. | | | |
| Telephone (_____) _____ | | | |
| E-mail Address _____ | Purchaser's Signature _____ | Date _____ | |
| Note: Register via Internet at www.johndeere.com/enginewarranty or this form may be faxed to John Deere at 1-319-292-5844. For information on your rights to privacy, please see page 2 of the John Deere Engine Owner's Warranty - Worldwide. | | | |

PRE OPERATION CHECKLIST



Before leaving our factory, every machine is thoroughly tested. Follow our instructions strictly and your machine will give you long service in normal operating conditions.



Before starting up the machine, make sure you read these entire Operating Instructions and are familiar with the operation of the machine.

MACHINE SET-UP:



ALWAYS park machine on a level surface with the engine “OFF” and the ignition switch set in the “0” (OFF) position before performing any maintenance. Let the machine cool down!!

1. Check engine oil. Fill to the full mark on dip stick with 15W40 class CE or CD oil.
2. Connect battery cables.

1 - 2 HOUR OPERATION CHECK LIST:



ALWAYS park machine on a level surface with the engine “OFF” and the ignition switch set in the “0” (OFF) position before performing any maintenance. Let the machine cool down!!

1. Check the engine air cleaner hose clamps. Tighten as required.
2. Tension the blade drive V-belts. DO NOT over tension!!

SCHEDULED MAINTENANCE QUICK REFERENCE



Before performing any maintenance, ALWAYS park the machine on a level surface with the engine “OFF” and the ignition switch set in the “OFF” position. Let the machine cool down!!

SERVICE DAILY:

1. Check engine oil level.
2. Check blade guard for damage.
3. Check hoses and clamps for damage or looseness. Tighten or replace as necessary.
4. Check air cleaner restriction indicator. Replace primary air filter if indicator is red.
5. Make sure all safety guards are in place and in good condition.

SERVICE EVERY 50 HOURS:

1. Clean Rear shield Air filter.
2. Inspect Radiator Air Filter and clean as necessary.
3. Check blade drive V-belt tension. Tension both sides evenly. DO NOT over tension!!!
4. Lubricate front wheel bearings.
5. Replace Hydraulic System Filter. (First 50 hours only.)

SERVICE EVERY 100 HOURS:

1. Replace engine oil and filter.
2. Lubricate front axle pivot bearings.
3. Check wheels for wear or damage.
4. Check rear wheel hubs and wheels for looseness.
5. Check engine air cleaner hose and clamps.
6. Check hydraulic system fluid level.

SERVICE EVERY 250 HOURS:

1. Replace Hydraulic System Filter
2. Grease Blade Shaft 2 pumps each end.

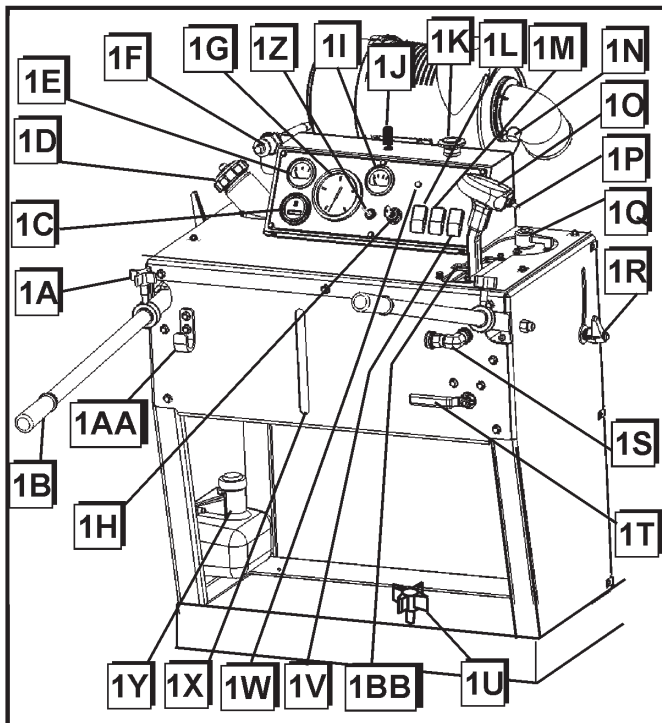
SERVICE EVERY 500 HOURS:

1. Replace Engine gearbox fluid.
2. Replace hydraulic system fluid.
3. Replace engine fuel filter (spin-on type).

SERVICE YEARLY:

1. Replace air filter primary and safety element.

FIGURE 1



- 1A. KNOB:** Use to tighten operator grip handles.
- 1B. HANDLE BARS:** For operator gripping.
- 1C. HOUR METER:** Records engine hours of operation.
- 1D. FUEL TANK FILL:** Fill the fuel tank at this location.
- 1E. WATER TEMPERATURE GAUGE:** Water/Glycol is the coolant. Monitors the engine coolant temperature. Maximum Safe temperature is 220°F.
- 1F. ENGINE THROTTLE:** Controls Engine RPM. Push Red Button to unlock. Push in to decrease RPM. Pull out to increase RPM. Or Turn Clockwise to increase RPM. Turn counterclockwise to decrease RPM.
- 1G. ENGINE TACHOMETER:** Shows the engine RPM's and hours.
- 1H. ENGINE START SWITCH:** Start and stop the engine using this switch. Also preheats the engine
- 1I. VOLTAGE GAUGE:** Shows the voltage of the electrical system.
- 1J. AXLE ADJUSTMENT SWITCH:** Toggle switch to adjust rear drive axle. Push switch right to make saw drive to the right. Left to make saw drive to the left.
- 1K. RED PALM SWITCH:** For **EMERGENCY STOP** of the saw. Stops all systems except lights, pull **OUT** to reset. Do not use for routine stopping.
- 1L. WATER SAFETY SWITCH:** Stops the engine if the water supply to the blade is interrupted. Set to activate switch.

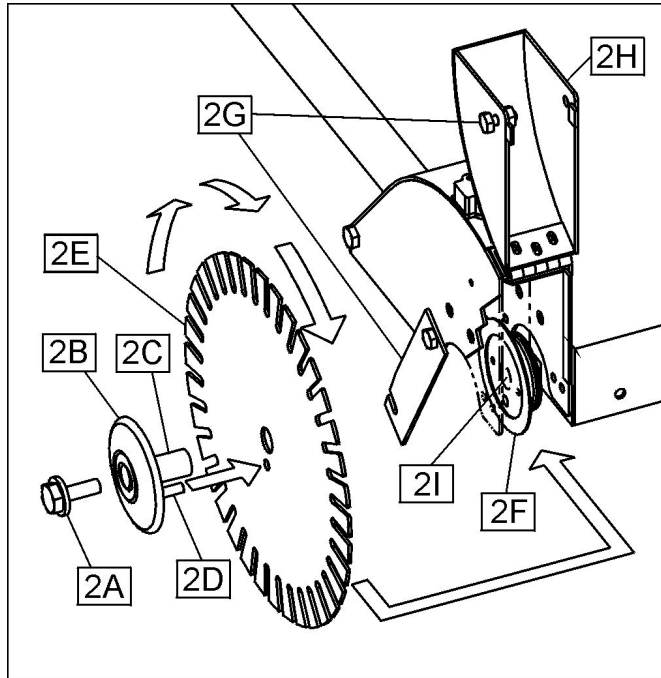
- 1M. BLADE DEPTH STOP:** Activates or overrides the depth stop for repetitive cuts at the same depth.
- 1N. AIR RESTRICTION INDICATOR:** Service air filter elements when indicator shows a red mark. Reset before starting engine.
- 1O. SPEED CONTROL LEVER:** Controls forward and reverse directions, stop, and the speed of the saw.
- 1P. RAISE/LOWER SWITCH:** Located on speed control lever. Use to raise and lower the saw. Push up to raise saw upward. Push down to lower the saw.
- 1Q. BLADE DEPTH INDICATOR:** Displays cutting depth. Sets cutting depth for **BLADE DEPTH STOP**.
- 1R. HANDLE ADJUSTMENT LOCK:** Turn Clockwise to lock handle bar in position. Turn Counterclockwise to unlock and reposition handlebar.
- 1S. WATER INLET:** Connects to 3/4" garden hose for fresh water supply.
- 1T. WATER VALVE:** Controls water flow rate to cool the blade.
- 1U. SAW LOWERING SPEED CONTROL KNOB:** Turn knob clockwise to slow lowering speed. Turn knob counterclockwise to increase lowering speed.
- 1V. BLADE CLUTCH SWITCH:** Engages Blades Drive. Light indicates Clutch Engaged. Engage only with engine RPM at 1200 RPM or less
- 1W. OIL PRESSURE LIGHT:** Lights up when engine oil pressure is low and when key is on with the engine off.
- 1X. FUEL LEVEL SIGHT GAUGE:** Shows the level of fuel in the fuel tank.
- 1Y. RADIATOR COOLANT OVERFLOW BOTTLE:** Recovers radiator coolant when engine is hot. Should be 1/4 full when engine is off and cool.
- 1Z. TACHOMETER SELECT SWITCH:** Can be set to indicate either engine speed (RPM, n/min), or blade shaft speed (RPM, n/min). Set to upper position to indicate engine speed, lower position to indicate blade shaft speed. Standard equipment on machines equipped with three-speed gearbox, optional for all others.



WARNING: Take Notice of TACHOMETER SELECT SWITCH (1Z) position! Tachometer can indicate Blade Speed or Engine Speed. Serious injury can occur to the operator or people in the work area if the rotational speed (n/min) of the DIAMOND BLADE (2E) exceeds the maximum speed (n/min) marked on the DIAMOND BLADE (2E).

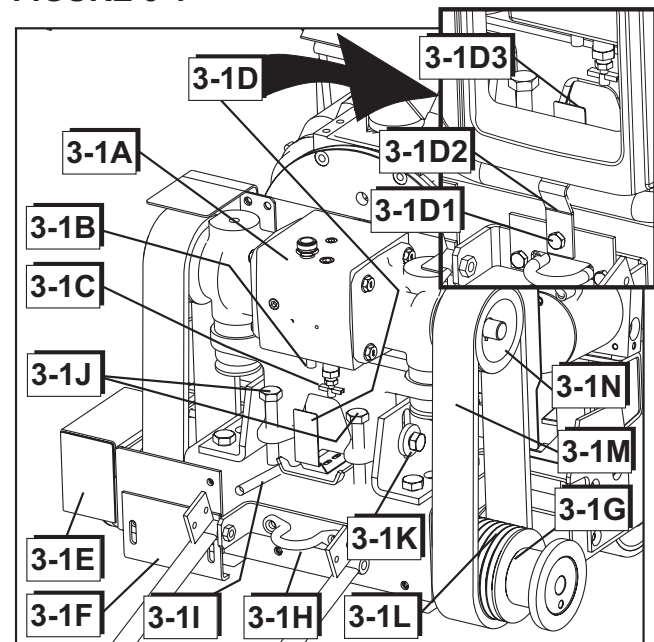
- 1AA. HOSE HANGER:** Supports water supply hose.
- 1BB. STOP POSITION:** The saw will stop travel movement when the speed control lever (1O) is in this position. The engine will not start unless the Speed Control Lever (1O) is in the STOP position.
- 1CC. MANUAL AXLE ADJUSTMENT:** Turn bolt to adjust rear drive axle. Rotating it to the right (CW) makes saw drive to the right. Left (CCW) makes saw drive to the left.
- 1DD. RADIATOR AIR FILTER ELEMENT**

FIGURE 2



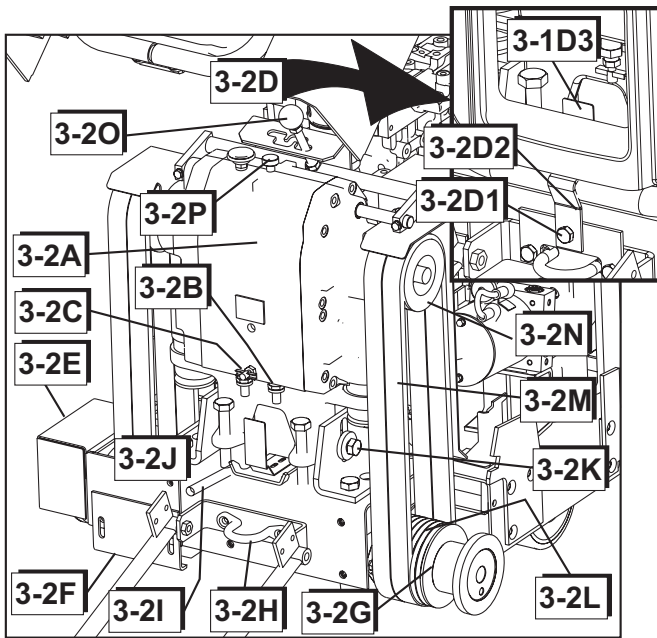
- 2A. BLADE SHAFT BOLT:** Use to clamp the diamond blade between the inner and outer flange. Right side of saw has left hand threads. Left side of saw has right hand threads.
- 2B. OUTER FLANGE:** Use to hold the diamond blade in position.
- 2C. OUTER FLANGE ARBOR:** Use to support the diamond blade.
- 2D. LOCKING PIN:** Use to prevent the diamond blade from rotating on the shaft during operation.
- 2E. DIAMOND BLADE:** Use as the cutting tool for concrete and asphalt surfaces.
- 2F. INNER FLANGE:** Inside support used to hold the diamond blade in position.
- 2G. BLADE GUARD NOSE LATCH:** Use to latch the front part of blade guard down.
- 2H. BLADE GUARD FRONT:** The front part of the blade guard.
- 2I. BLADESHAFT:** Supports Blade Flanges and blade.

FIGURE 3-1



- 3-1A. ENGINE GEARBOX:** Single Speed Model.
- 3-1B. WATER CONNECTION:** Circulates freshwater through gearbox to cool it. Water then flows to the bladeguard.
- 3-1C. WATER DRAIN VALVE:** To drain water from gearbox: Turn Counterclockwise to open, Clockwise to close. Drain daily to prevent corrosion or damage due to freezing temperatures.
- 3-1D. HOOD LATCH:** One latch secures hood in lowered position. US Model Operation: 1. Press HOOD LATCH (3-1D3/3-2D3) inward. 2. Raise hood until HOOD SUPPORT (6H) is engaged & supports hood. CE Model Operation: 1. Use tool to loosen Capscrew (3-1D1/3-2D1). 2. Pivot tube latch (3-1D2/3-2D2) downward. 3. Press HOOD LATCH (3-1D3/3-2D3) inward. 4. Raise hood until HOOD SUPPORT (6H) is engaged & supports hood.
- 3-1E. FLANGE COVER:** Guards against FLANGE contact during operation. Always keep in place!
- 3-1F. BELT PROTECTOR SHIELD:** Keep in place.
- 3-1G. BLADESHAFT TUBE ASSY:** Sealed unit contains bladeshaft, bearings and shaft seals.
- 3-1H. TIEDOWN LUGS:** Used to tie the saw down while transporting by vehicle. Not to be used to lift the saw.
- 3-1I. ENGINE OIL DRAIN VALVE:** Drains engine oil without use of tools.
- 3-1J. BELT TENSIONING BOLTS:**
- 3-1K. HORIZONTAL CLAMPING BOLTS:**
- 3-1L. BLADE SHAFT PULLEY:**
- 3-1M. V-BELTS:** Set of 4.
- 3-1N. GEARBOX PULLEY:**

FIGURE 3-2



3-2A. ENGINE GEARBOX: Three Speed Model.

3-2B. WATER CONNECTION: Circulates freshwater through gearbox to cool it. Water then flows to the bladeguard.

3-2C. WATER DRAIN VALVE: To drain water from gearbox: Turn Counterclockwise to open, Clockwise to close. Drain daily to prevent corrosion or damage due to freezing temperatures.

3-2D. HOOD LATCH: One latch secures hood in lowered position. US Model Operation: 1. Press HOOD LATCH (3-1D3/3-2D3) inward. 2. Raise hood until HOOD SUPPORT (6H) is engaged & supports hood. CE Model Operation: 1. Use tool to loosen Capscrew (3-1D1/3-2D1). 2. Pivot tube latch (3-1D2/3-2D2) downward. 3. Press HOOD LATCH (3-1D3/3-2D3) inward. 4. Raise hood until HOOD SUPPORT (6H) is engaged & supports hood.

3-2E. FLANGE COVER: Guards against FLANGE contact during operation. Always keep in place!

3-2F. BELT PROTECTOR SHIELD: Keep in place.

3-2G. BLADESHAFT TUBE ASSY: Sealed unit contains bladeshaft, bearings and shaft seals.

3-2H. TIEDOWN LUGS: Used to tie the saw down while transporting by vehicle. Not to be used to lift the saw.

3-2I. ENGINE OIL DRAIN VALVE: Drains engine oil without use of tools.

3-2J. BELT TENSIONING BOLTS:

3-2K. HORIZONTAL CLAMPING BOLTS:

3-2L. BLADE SHAFT PULLEY:

3-2M. V-BELTS: Set of 4.

3-2N. GEARBOX PULLEY:

3-2O. GEARBOX SHIFT LEVER: Use to change output speed of the ENGINE GEARBOX (3-2A). Three-Speeds and two Neutral positions are available. GEARBOX SHIFT LEVER positions (1, 2, and 3) are color coded to match, among others, Gearbox Range / Blade RPM decal. GEARBOX SHIFT LEVER Operation:

1) Turn ENGINE START SWITCH (1H) to OFF ("0") position. Always turn Engine OFF before shifting gearbox!

2) Verify that pulley size, flange size, and blade shaft speed are correct for the blade size being mounted.



WARNING: Serious injury can occur to the operator or people in the work area if the rotational speed (n/min) of the DIAMOND BLADE (2E) exceeds the maximum speed (n/min) marked on the DIAMOND BLADE (2E).

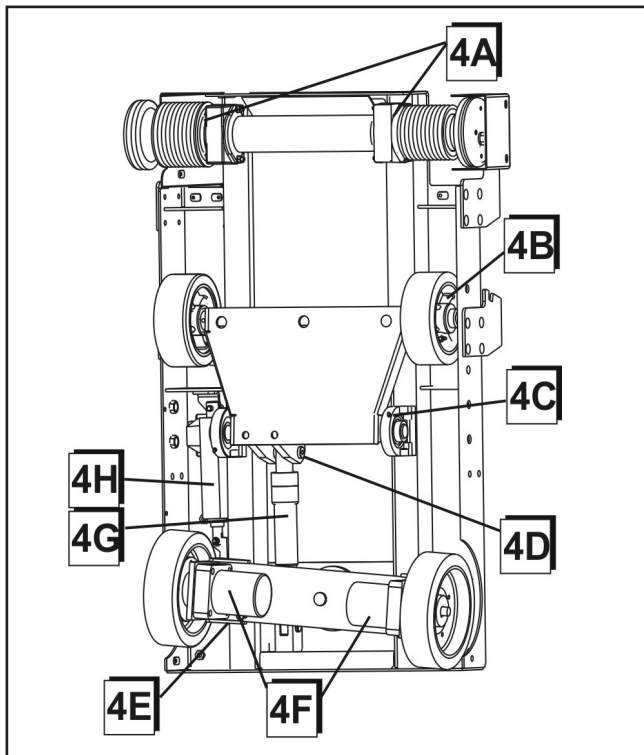
3) Lift GEARBOX DETENT KNOB (3-2P) and twist to hold in "OPEN" position.

4) Move GEARBOX SHIFT LEVER (3-2O) to required gear. A slight "rocking motion" of the gearbox output shaft (or BLADE SHAFT) may improve shifting.

5) Twist and lower GEARBOX DETENT KNOB (3-2P) back to original "LOCKED" position.

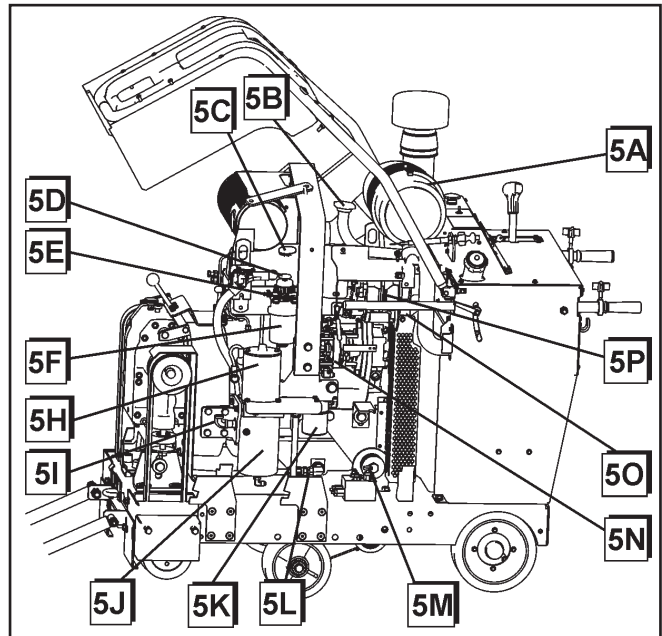
3-2P. GEARBOX DETENT KNOB: Locks GEARBOX SHIFT LEVER (3-2O) in position. See GEARBOX SHIFT LEVER (3-2O) for operation.

FIGURE 4



- 4A. BLADESHAFT BEARING SEALS**
- 4B. FRONT WHEEL BEARINGS**
- 4C. FRONT AXLE PIVOT BEARINGS**
- 4D. HYDRAULIC CYLINDER PIVOT PIN**
- 4E. REAR AXLE**
- 4F. HYDRAULIC WHEEL MOTOR**
- 4G. RAISE LOWER CYLINDER**
- 4H. LINEAR ACTUATOR**

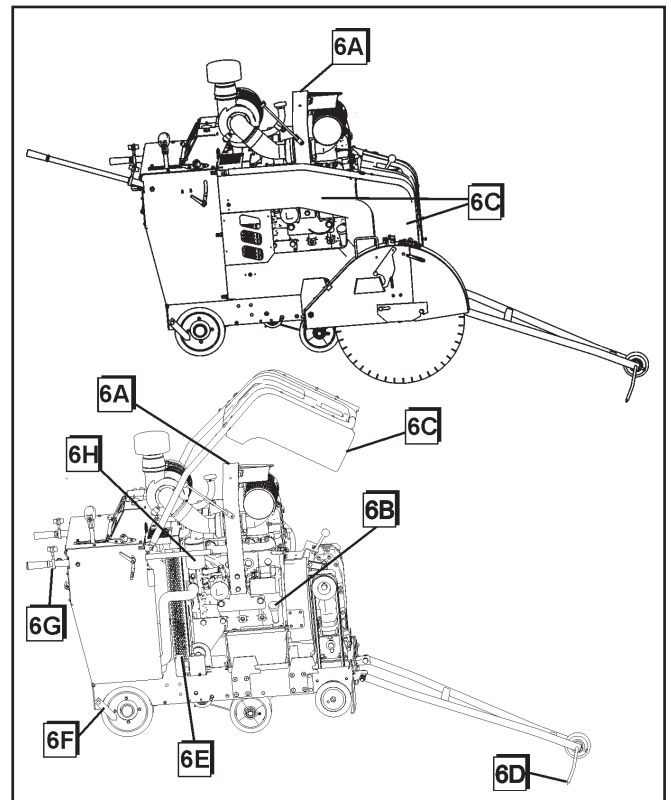
FIGURE 5



- 5A. AIR FILTER ASSEMBLY:** Includes
 - a) Housing
 - b) Cover
 - c) Primary Outer Element: Clean or replace when restriction indicator shows the RED warning.
 - d) Inner Safety Element: DO NOT CLEAN this filter element. Replace 1 time per year or if it becomes damaged.
- 5B. RADIATOR COOLANT FILL:** Fill radiator from this point. Replace cap if damaged.
- 5C. ENGINE OIL FILL:** One of two fill points.
- 5D. FUEL HAND PRIMER PUMP:** Push to prime fuel lines to help initial startup or as needed.
- 5E. FUEL BLEED VALVE:** Open to bleed air from fuel lines.
- 5F. FUEL FILTER WATER SEPARATOR:** See John Deere engine manual.
- 5G. ---**
- 5H. D.C. (direct current) LIFT PUMP:** Raises and lowers the saw.
- 5I. HYDRAULIC RESERVOIR FILL:** Fill and check hydraulic system fluid here.
- 5J. HYDRAULIC RESERVOIR:** 1.5 Quarts
- 5K. HYDRAULIC FILTER:** Filters hydraulic system fluid.
- 5L. ---**
- 5M. ---**
- 5N. ---**
- 5O. ---**
- 5P. ---**

- 5L. **ENGINE OIL DRAIN HOSE:** Connects to oil drain valve 3l. Use to drain engine oil.
- 5M. **TRANSMISSION BYPASS VALVE:** Turn counter clockwise to open. Turn clockwise to close. Open to push concrete saw.
- 5N. **HYDROSTATIC TRANSMISSION PUMP.**
- 5O. **ALTERNATOR/WATERPUMP BELT:** Self Tensioning. See JohnDeere for replacements.
- 5P. **ALTERNATOR:** See John Deere for replacements.

FIGURE 6

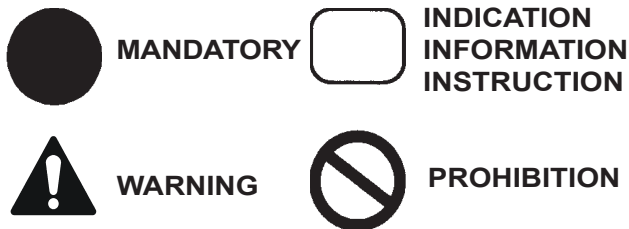


- 6A. **LIFTING BAIL:** The saw can be lifted from this point.
- 6B. **OIL LEVEL CHECK:** Dipstick indicates oil level. Also an oil fill location.
- 6C. **BELT GUARDS AND SHIELDS:** Protects engine, guards, drives, and cooling fan.
- 6D. **FRONT GUIDE:** Use to locate the path of the diamond blade on the cutting line.




DO NOT OPERATE ENGINE WITH SHIELDS REMOVED!

- 6E. **FAN SHIELDS:** Protects engine, cooling fan, beltdrives and pulleys.
- 6F. **REAR GUIDE:** Use to locate the path of the diamond blade on the cutting line.
- 6G. **HANDLEBARS:** Used to maneuver the saw. Not to be used to lift the saw.
- 6H. **ENGINE OIL FILTER:** The Oil filter element needs to be changed when changing oil. (100 hr)



These signs will give advice for your safety

Before leaving our factory every machine is thoroughly tested.

 **Follow our instructions strictly and your machine will give you long service in normal operating conditions.**


1. Uses

Use: Wet sawing of old and new concrete and asphalt. Dry sawing only with blade manufacturers approval of specific application.

Tools: Diamond blades — water cooled, Ø: 14”, 18”, 20”, 24”, 26”, 30”, 36”, 42”, 48” and 60” with Arbor Ø - 1”.
(For information, contact your Husqvarna supplier.)


Depths of Cut (Maximum):


| Blade | Depth | Blade | Depth |
|-------|-------|--------|-------|
| 14” | 4.5” | 350mm | 110mm |
| 18” | 6.5” | 450mm | 160mm |
| 20” | 7.5” | 500mm | 175mm |
| 24” | 9.5” | 600mm | 225mm |
| 26” | 10.5” | 650mm | 260mm |
| 30” | 12.5” | 750mm | 310mm |
| 36” | 15.0” | 900mm | 375mm |
| 42” | 17.5” | 1000mm | 410mm |
| 48” | 20.0” | 1200mm | 500mm |
| 60” | 25.0” | 1500mm | 620mm |

 **Before starting up the machine, make sure you read this entire manual and are familiar with the operation of this machine.**

 **The working area must be completely clear, well lit and all safety hazards removed.**

   **The operator must wear protective clothing appropriate to the work he is doing.**
  

 **Any persons not involved in the work should leave the area.**

 **Use only blades marked with a maximum operating speed greater than the blade shaft speed.**

2. Moving The Machine


(See Figures 1, 2 and 5)

Set The Handles To The Desired Length:

- Loosen Knob (1A), pull the Handle Bar (1B) in or out to desired length, then tighten the Knob (1A). to adjust Handle Bar height, Turn Handle Bar Adjustment Lock (1R) counterclockwise to unlock. Adjust Handle Bar (1B) to the desired height. Turn Handle Adjustment Lock (1R), clockwise to lock in place.

Moving The Saw With The Engine Off:

- Turn Engine Start Switch (1H) to the “1” (RUN) position.
- Raise the saw by pressing up on the Toggle Switch (1P) on the Speed Control Lever (1O) until the Diamond Blade (2E) (if installed) clears the pavement surface.
- Put the Speed Control Lever (1O) into the STOP (1BB) position.
- Set the Transmission Bypass valve (5M) counterclockwise to the up (NEUTRAL) position.
- The saw can now be moved by standing behind it and pushing [while holding the Handle Bars (1B)].

 **DO NOT attempt to push the saw while it is in NEUTRAL on a grade (or hill). The saw operator could lose control of the saw and cause injury to himself or other person(s) in the area.**

Moving The Saw With Engine On:

- Raise the saw by pressing up on the toggle switch (1P). on Speed Control Lever (1O) until Diamond Blade (2E) (if installed) clears the pavement surface.
- Set the Water Safety Switch (1L) button to the “0” (OFF) position.
- Speed Control Lever (1O) must be in the STOP (1BB) position to start the saw. The engine WILL NOT start unless the Speed Control Lever (1O) is in the STOP (1BB) position.
- Check that the Transmission bypass valve (5M) is turned clockwise (DOWN) to the closed position. Do **NOT** start the engine if the valve (5M) is in the Neutral (OPEN) position.
- Turn the Engine Throttle (1F) to a low speed setting.
- Set the Blade Clutch Switch (if installed) (1V) to “0” (OFF).
- * In cold conditions (below 32° F (0° C)) push in on the Engine Start Switch (1H) for 15 seconds. This warms the glow plugs for cold weather starting.



• Turn the Engine Start Switch (1H) to the “2” (START) position until the engine starts, then release the switch. It will return to **RUN** position. If the engine does not start, repeat these steps.



• Push the Speed Control Lever (1O) forward for FORWARD saw movement, or to the rear for REVERSE saw movement. The further you push the lever the faster the speed.



DO NOT OPEN the bypass valve (5M) to neutral while the saw is parked on a grade (or hill), The Operator will lose control and injury or damage could occur.

3 Transport (Blade Removed)

(See Figures 1, 2, and 5)



Turn engine off. Set Speed Control Lever (1O) to STOP (1BB) position. Remove diamond blade (2E) before transport.

When moving the saw up and down ramps, with engine on, use extreme caution.

- To go **DOWN** a ramp drive the saw **FORWARD** slowly.
- To go **UP** a ramp, back the saw in **REVERSE** slowly.



For steep ramps, always use a winch. Never stand below the machine.

Lifting The Saw. The saw can only be lifted by the factory installed Lifting Bail (6A).

To Transport By Vehicle:

- Set the Engine Start Switch (1H) in the **OFF** position.
- Set Speed Control Lever (1O) in the **STOP (1BB)** position.
- Push Handle Bars (1B) inward and tighten Knobs (1A).



Block the saw in place or secure it into place using the factory installed **TIE DOWN LUGS (3H)**, front and rear to prevent movement during transport.

4 Check Before Starting



Take into account the working conditions from health and safety point of view.

- **Fuel** (Check the engine maintenance manual.) Use No. 2 Diesel Fuel for normal conditions.

- Check that the engine oil level is correct. Because the engine often operates at an angle, check the oil level (with engine horizontal) frequently to ensure that the oil level never falls below the lower mark on the dipstick. 15W40 CD or CE engine oil is recommended. (6B)
- For start up, refer to the engine manual. See John Deere Manual OMRG34851

5 Fitting The Blade

(See Figures 1 and 2)

- Set engine Start Switch (1H) to “1” position.
- **Raise Machine to a high position using the raise/lower switch (1P) on the Speed Control Lever (1O)**
- **Set the Engine Start Switch (1H) to the “0” (OFF) position.**
- **Loosen Bolt on Blade Guard Latch (2G).**
- **Raise Front Half of Blade Guard (2H)**
- **Loosen Bladeshaft Bolt (2A) Remove Outer Flange (2B).**
- Fit Diamond Blade (2E) to Outer Flange Arbor (2C).
- Install Outer Flange (2B) into the Blade Shaft (2I) making sure that the Locking Pin (2D) passes through the Diamond Blade (2E) and into the Inner Flange (2F).



Note the direction of rotation of the blade. The direction of rotation is shown by an arrow on both the DIAMOND BLADE (2E) and the BLADE GUARD (2H). Make sure that the contact surfaces on the DIAMOND BLADE (2E), INNER & OUTER FLANGES (2B & 2F) and BLADE ARBOR (2C) are clean.

- Rotate Outer Flange (2B) and Diamond Blade (2E) in the opposite direction of blade rotation to remove backlash.
- Install and tighten Blade Shaft Bolt (2A) using the Blade Shaft Wrench while firmly holding the Diamond Blade (2E).
- Lower front half of Blade Guard (2H) and tighten the Bolt (2G) on the Blade Guard Latch (2G).



The Blade Shaft Bolt (2A) on the Right Hand side has Left Hand threads. The Blade Shaft Bolt (2A) on the Left Hand side has Right Hand threads.



Slip on blade guards are provided with a safety latch which engages the support spade and a bolt to retain the rear of the guard.



Do not operate this saw without the latch engaged and the bolt installed. Inspect blade guards and latches frequently. Do not use if damaged.

To Remove A SLIP-ON GUARD:

- Using the Blade Shaft Wrench remove the rear retaining bolt.
- Slip the Blade Shaft Wrench between the guard and the belt guard onto the latch lever. Raise the lever to unlatch and lift guard off spade.

To Install A SLIP-ON GUARD:

- Lower guard onto spade until latch engages.
- Install Bolt in rear of guard using the Blade Shaft Wrench.

6 Starting The Saw

(See Figures 1, 2 and 5)



Always pay extreme care and attention to the preparation of the machine before starting.



Remove all wrenches and tools from the floor and the machine.



Always keep blade guard, belt guards and fan guards in place.

- Follow all operating instructions and warnings in this manual and on the machine.
- Close the Water Valve (1T).
- Mark the surface to be cut by drawing a line where the cut is to be made.
- Pull out Handle Bars (1B) to desired length and tighten Knobs (1A).
- Lower the Front Guide (6D) and align the Front Guide (6D), Rear Guide (6F) and Diamond Blade (2E) with the line on the surface.
- To start the saw when no water pressure is present, set the Water Safety Switch (1L) to “0” (OFF).
- Set Speed Control Lever (1O) to the STOP (1BB) position. Saw will not start unless the Speed Control Lever (1O) is in the STOP (1BB) position. Check to be certain the Transmission Bypass Valve (5M) is closed in the **down** position.
- Set the Blade Clutch Switch (1V) to “0” (OFF) (if equipped).
- Start the engine using the Engine Start Switch (1H). Follow the procedure in the engine manual. In Cold conditions, pre-heat the engine glow plugs by hold in the Engine Start Switch (1H) for 15 seconds.
- Let the engine warm up for several minutes with Engine Throttle (1F) at the low speed setting.
- When ready open the Water Valve (1T).
- Set Water Safety Switch (1L) to “1”(ON).



Test for adequate water supply. (2.5 - 5.0 GPM) (10 - 20 Liters per Min.) Low water flow will cause damage to diamond blades.

- Pull Throttle (1F) out to set engine RPM at 3000.

See chart for the appropriate blade shaft and engine speeds for specific blade sizes.

- Move the saw forward or reverse slowly by pushing or pulling on the Speed Control Lever (1O). Move the saw slowly to prevent stalling the blade. Make sure the Front Guide (6D), Rear Guide (6F) and Diamond Blade (2E) stay on the line.
- Set the Blade Clutch Switch (1V) to “1” (ON) to engage the Blade Drive (if equipped) ONLY AT IDLE SPEED OF ENGINE!
- Lower the saw by pressing the Raise/Lower Switch (1P) on the Speed Control Lever (1O) downward until the Diamond Blade (2E) is at the desired cutting depth (See “Blade Cutting Depth Information”).



Be certain that water flow is abundant for wet sawing.

Blade Cutting Depth Information:

The saw is equipped with a BLADE DEPTH INDICATOR (1Q) which has two number ranges. The Orange and White number ranges are used for two different purposes:

- 1) The “Depth” number range, indicated by the Orange color, shows the current Cutting Depth of the DIAMOND BLADE (2E). As the saw is lowered, the BLADE DEPTH INDICATOR (1Q) needle travels through these numbers in increasing order. Or
- 2) The “SMD” or “Set Maximum Depth” number range, indicated by the White color, is the uncut depth of the DIAMOND BLADE (2E). The desired maximum cutting depth is pre-set using the BLADE DEPTH INDICATOR (1Q). It can be used with or without the BLADE DEPTH STOP SWITCH (1M) feature. As the saw is lowered, the BLADE DEPTH INDICATOR (1Q) needle travels through the White color number range in decreasing order, indicating the unfinished depth of cut. When the BLADE DEPTH INDICATOR (1Q) needle reaches “0” position, the desired maximum cutting depth is reached. If the BLADE DEPTH STOP SWITCH (1M) feature is used (“1” or “ON” position), the lowering process stops automatically.

Using the BLADE DEPTH INDICATOR (1Q):

“Depth” Mode (Orange colored numbers show current cutting depth):

- Turn ENGINE START SWITCH (1H) to “0” (OFF) position to STOP engine (If running).
- Turn ENGINE START SWITCH (1H) to “1” (RUN) position to power electrical system.
- Turn BLADE DEPTH STOP SWITCH (1M) to “0” (OFF) position.
- Lower DIAMOND BLADE (2E) by pushing the TOGGLE SWITCH (1P) on the SPEED CONTROL LEVER (1O) downward until the DIAMOND BLADE (2E) touches the surface to be cut.

- Rotate the BLADE DEPTH INDICATOR (1Q) needle to align to the “0” depth.
- As DIAMOND BLADE (2E) is lowered into the cutting surface, the current cutting depth will now be indicated by the Orange text number range on BLADE DEPTH INDICATOR (1Q) needle.

SMD or “Set Maximum Depth” Mode without BLADE DEPTH STOP (White colored numbers show uncut depth):

- Turn ENGINE START SWITCH (1H) to “0” (OFF) position to STOP engine (If running).
- Turn ENGINE START SWITCH (1H) to “1” (RUN) position to power electrical system.
- Lower DIAMOND BLADE (2E) by pushing TOGGLE SWITCH (1P) on the SPEED CONTROL LEVER (1O) downward until DIAMOND BLADE (2E) touches the surface to be cut.
- Rotate the BLADE DEPTH INDICATOR (1Q) needle to align with the desired maximum cutting depth on White colored number range. The uncut depth will now be indicated on the White colored number range. When the BLADE DEPTH INDICATOR (1Q) needle gets to the “0” position, the saw is cutting at the desired maximum cutting depth.
- Raise the blade by pushing the TOGGLE SWITCH (1P) on the SPEED CONTROL LEVER (1O) upward until the DIAMOND BLADE (2E) is off of the cutting surface.
- Turn the ENGINE START SWITCH (1H) to the “0” (OFF) position to turn off power to electrical system.

SMD or “Set Maximum Depth” Mode using BLADE DEPTH STOP SWITCH (1M) (White colored numbers show uncut depth):

- Turn ENGINE START SWITCH (1H) to “0” (OFF) position to STOP engine (If running).
- Set the BLADE DEPTH STOP SWITCH (1M) to the “0” (OFF) position to override the depth stop setting. Saw will raise and lower over its full range without stopping.
- Turn ENGINE START SWITCH (1H) to “1” (RUN) position to power electrical system.
- Lower DIAMOND BLADE (2E) by pushing TOGGLE SWITCH (1P) on the SPEED CONTROL LEVER (1O) downward until DIAMOND BLADE (2E) touches the surface to be cut.
- Rotate the BLADE DEPTH INDICATOR (1Q) needle to align with the desired maximum cutting depth on White colored number range.
- Set the BLADE DEPTH STOP SWITCH (1M) to “1” (ON) position.
- Raise the blade by pushing the TOGGLE SWITCH (1P) on the SPEED CONTROL LEVER (1O) upward until the DIAMOND BLADE (2E) is off of the cutting surface.
- Turn the ENGINE START SWITCH (1H) to the “0” (OFF) position to turn off power to electrical system.
- Now the maximum cutting depth is set. If the saw is raised out of the cut surface for any reason it can now be lowered to “Set Max. Depth” by lowering the blade until the saw lowering movement stops.



The saw **WILL NOT** lower to any depth greater than the position set on the **BLADE DEPTH STOP SWITCH (1Q)**. If a deeper cut is required, the **BLADE DEPTH INDICATOR (1Q)** **MUST** be turned to the new depth position. Or push the **BLADE DEPTH STOP SWITCH (1M)** to “0” (OFF) position to override the Depth Stop Feature.

7 Stopping The Saw

(See Figures 1-2)



*For **EMERGENCY STOP**, press down the **RED PALM SWITCH (1K)** on the cowl. This will stop the engine and disconnect power to all electrical items except lights. Reset the **RED PALM SWITCH (1K)** by pulling out until it pops up, then restart engine.*

- Move the Control Lever (1O) to the STOP (1BB) position.
- Raise the Diamond Blade (2E) out of the cut by pressing the Raise/Lower Switch (1P) on the Control Lever (1O) upward until the Diamond Blade (2E) clears the surface.
- Disengage the Blade Clutch Switch (1V) if equipped with clutch.
- Turn the Engine Throttle (1F) to the LOW IDLE position.
- Turn off the Water Valve (1T).
- Let the Engine run at idle for a few minutes before shutting off.
- STOP the engine by turning the Engine Start Switch (1H) to the “0” (OFF) position.

8 Incidents During Sawing

(See Figures 1-2)

If **ENGINE STOPS** during sawing, check the following:

- Engine out of fuel—Check Fuel Gauge (1X).
- Lack of water signals the Water Safety Switch (1L) to stop the engine. Set Switch (1L) to “0” (OFF) and then restart the engine.
- Excessively fast cutting speed will stall engine.
- Red Palm Emergency Switch (1K) has been pressed down. Reset by pulling toggle switch until it pops upward.
- Circuit Breaker is blown (1Z). Push to Reset

If the Diamond Blade (2E) STOPS during sawing, check:

- Drive belt tension is inadequate.
- The clutch switch has been pushed to “0” OFF
- The clutch has an electrical failure or blown fuse.

SAW LOWERS TOO FAST:

- The lowering rate of the saw can be adjusted using the Flow Control Valve (1U) at the rear of the saw. If the saw falls too quickly, turn the knob on the Flow Control Valve (1U) **CLOCKWISE** until an adequate lowering rate is set.

If the ENGINE or BLADE STALLS for any reason, raise the blade completely from the cut, inspect the machine thoroughly before restarting the engine. When lowering the blade into a partial cut, align the blade exactly with the cut to prevent damage to the blade.



Entrust all repairs to your authorized dealer only.

9 Adjustments: Straight Line Sawing

(See Figures 1 and 4)

While cutting, the saw may steer to the right from the required straight line marked on the cutting surface (if the Diamond Blade (2E) is installed on the right hand side). If this occurs, the Rear Axle (4E) of the saw can be pivoted to compensate for this situation.

Saw with EASYTRACK option.

- Push Axle Adjustment Switch (1J) to the **LEFT**. Small short adjustments make large changes.
- Adjustments can be made while sawing or not sawing.
- Visually confirm the axle movement and direction.

Saws with Manual Axle Adjustment

- The axle (4E) is adjusted by turning the M12 Adjustment Bolt (1CC) located at the rear lower left of saw frame.
- If the saw steers to the **RIGHT** while sawing, Turn the Adjustment Bolt **COUNTERCLOCKWISE**.
- If the saw steers to the **LEFT** while sawing, Turn the Adjustment Bolt (1CC) **CLOCKWISE**.

10 Maintenance

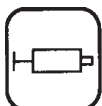
(See Figures 1-6)



Before performing any maintenance, ALWAYS park the machine on a level surface with the Engine OFF and the Engine Start Switch (1H) in the "0" (OFF) position.

After each use **CLEAN** the machine.

LUBRICATION:



ENGINE OIL: Check daily (6B). Change Engine Oil and Oil Filter (6H) after every 100 HOURS of operation. See engine manual for oil type to use. 15W40 CD, CE is generally recommended. (6B) Capacity is 8.5 quarts (8.0 liters) with filter (6H). Align oil level with upper mark on dipstick (6B).

LUBRICATE EVERY 100 HOURS:

- Front Axle Pivot Bearings (4C)

LUBRICATE EVERY 250 HOURS:

- Blad shaft Seals and Bearings (4A) 2 Pumps only

HYDRAULIC SYSTEM:

Refer to Section 12 - "Hydraulic System"

ENGINE GEARBOX (3-1A, 3-2A):

- Change oil after every 500 hours of operation. Use SAE 75W90 synthetic gear lubricant.
DO NOT OVERFILL! Fill only to "Check Port" or excess will overflow.

Single Speed ENGINE GEARBOX (3-1A): Oil Capacity is 32 oz. (USA) (0.946 Liter)

Three Speed ENGINE GEARBOX (3-2A): Oil Capacity is 60 oz. (USA) (1.77 Liter)

- Drain cooling water from Water Drain Valve (3-1C, 3-2C) to prevent rust and freeze damage (Every Day).

COOLING SYSTEM:

The engine cooling fluid is 50/50 anti freeze/water mixture.

- Clean the Radiator Air Filter Element (1DD) every 50 hours or when required, replace if damaged. Always keep Radiator Air Filter Element (1DD) in place.
- Check hoses and hose clamps for damage and looseness. Tighten or replace as required.
- Check Coolant Freeze Protection yearly.
- Flush and Clean radiator and cooling system every 500 hours.
- Maintain at least 1/4 full coolant level in Radiator Coolant Recovery bottle (1Y) when engine is cool.

AIR FILTER :

- Clean the Air Filter Outer Element (5A) when the Restriction Indicator (1N) Red Signal appears. **DO NOT** clean the Inner Safety Element (5A)!

To change or clean the air filter element:

- Remove the Air Filter Housing (5A) by opening the three (3) Air Filter Housing Clamps, and pulling the housing off.
- Pull the Air Filter Outer Element out of the filter housing and replace, or clean by using low pressure compressed air [2.75 bars (40 psi - MAX)] from the inside out. **DO NOT** clean the filter element by tapping it on the ground or other objects, this will damage the filter element!

- Install Air Filter Outer Element by pushing it into the housing.
- Install the Air Filter Housing (5A) and close the three (3) Air Filter Housing Clamps (5A).



The three (3) Air Filter Housing Clamps (5A) can NOT be closed unless the Air Filter Outer Element is properly installed.

- Replace the Inner Safety Element once per year or if it becomes damaged.
- Replace any damaged filters or gaskets.
- Check air hose and clamps for damage or looseness. Tighten or replace as required.

Wheels and Hubs:

- Check for excess wear and looseness. Tighten or replace as required.

FUEL FILTER :

- Replace Spin-On Fuel Filter (5F) every 500 hours.

11 Blade Shaft V-Belt Tension

(See Figures 1-3)

This saw is equipped with high tension banded V-belts. The belts are properly tensioned at the factory but after a few hours of operation they will stretch and become loose. Re-tension belts as described below.

To Tension V-Belts:

- Turn ENGINE START SWITCH (1H) to the "0" (OFF) position.
- Open ENGINE HOOD (6E): See Figure(s) 3-1/3-2, Item 3-1D/3-2D for procedure.
- Using the BLADE SHAFT WRENCH (2J), loosen the horizontal clamping bolts (3K) at the front of the machine.
- Turn each of the two (2) vertical BELT TENSIONING BOLTS (3-1J, 3-2J) [at the front of machine, below the ENGINE GEARBOX (3-1A, 3-2A)] CLOCKWISE until the V-BELTS (3-1M, 3-2M) are tight.
- Replace V-BELTS (3-1M, 3-2M) in complete sets only.
- For optimum V-Belt tension use Goodyear TensionRite™ Strips, P/N 542 19 13-68. TensionRite™ strips are supplied with belts purchased from your dealer.
- Never tension V-BELTS (3-1M, 3-2M) beyond the original factory tension. Loose V-Belts result in poor saw performance and short belt life.



Replace all shields and guards. Never run Saw with out all shields and guards in place.

12 Hydraulic System

(See Figures 1-6)

The hydraulic system on this saw is used to RAISE/ LOWER the Diamond Blade (2E), and to propel the saw FORWARD and REVERSE. The hydraulic system consists of a Hydrostatic Pump (5N), (2) Hydraulic Wheel Motors (4F), Hydraulic Filter (5K), DC Lift Pump (5H), Hydraulic Oil Reservoir (5J), Flow Control Valve (1U), and Hydraulic Lift Cylinder (4G).

- Hydraulic Filter (5K) should be changed after the first 50 hours of operation, then every 250 hours of operation.
- Check Hydraulic Reservoir (5J) fluid level periodically. Maintain oil level with SAE 15W40 API Class SE, CC, CD motor oil. **DO NOT OVERFILL**, check oil level when saw is level.
- Change hydraulic fluid every 500 hours of operation. Fill Hydraulic Reservoir (5I,5J) with approximately 2.5 quarts of SAE 15W40 API Class SE, CC, CD motor oil. **DO NOT OVERFILL!** Check oil level when saw is level.
- The lowering rate of the saw can be adjusted using the Flow Control Valve (1U) at the rear of the saw. If the saw falls too quickly, turn the knob on the Flow Control Valve (1U) CLOCKWISE until an adequate lowering rate is set.

13 Important Advice

(See Figures 2-3)

- Tighten loose nuts and bolts regularly, particularly after several hours of operation.
- Check V-Belt (3-1M, 3-2M) tension regularly. Re-tighten V-Belts (3-1M, 3-2M) as necessary.
- Remove the Diamond Blade (2E) for storage. Store it carefully.
- Check the water spray over the Diamond Blade (2E) periodically.
- Tighten the Diamond Blade (2E) firmly on the Blade Arbor (2C).
- Make sure the contact faces of Flanges (2B & 2F), Diamond Blade (2E), and Blade Shaft (2I) are clean.



Store in a safe place out of reach of children. Remove all adjustment tools and wrenches. Store diamond tool in a safe place so it cannot be damaged.

14 Engine / Blade Shaft / Gearbox Speed Adjustment

(See Figures 1-6)



WARNING: Serious injury can occur to the operator or people in the work area if the rotational speed (n/min) of the **DIAMOND BLADE (2E)** exceeds the maximum speed (n/min) marked on the **DIAMOND BLADE (2E)**.

ENGINE SPEED:

The engine speed on this machine does not need to be changed from the factory set speed. The maximum engine RPM should be 3000, no load.

BLADE SHAFT SPEED:

The blade shaft speed on this machine should be checked before fitting the **DIAMOND BLADE (2E)** to the machine. Never install a **DIAMOND BLADE (2E)** if the blade shaft rotational speed (n/min) of the machine is greater than the maximum speed (n/min) marked on the **DIAMOND BLADE (2E)**! The **BLADE SHAFT PULLEY (3-1N, 3-2N)** and **BLADE SHAFT FLANGE (2B & 2F)** may need to be changed if the diameter of the Diamond Blade is changed!

SINGLE SPEED GEARBOX MODEL:

Each saw model, as delivered from the factory, is designed to operate with a specified range of blade sizes inside the blade guard installed on the machine. If a blade size outside the specified range of sizes for your model must be used, then the saw drive configuration must be changed.

If changing from a small to a very large **DIAMOND BLADE (2E)** on a machine with a single speed gearbox, the **Blade Shaft Pulleys (3-1L)**, **Gearbox Pulleys (3-1N)**, the **BLADE SHAFT FLANGES (2B & 2F)**, and the **Blade Guard** must be changed.

For example, to change a single speed gearbox model from a 18" (450mm) drive to a 36" (900mm) drive:

1. Change Engine Gearbox Pulley from 4.75" (121mm) diameter to 3.65" (93mm) diameter.
2. Change Blade Shaft Pulley from 4.12" (105mm) diameter to 5.60" (142.2mm) diameter.
3. Change Blade Flanges from 5.00" (127mm) diameter to 6" (152mm) diameter.
4. Change **BLADE GUARD (2H)** from 18" (450mm) to 36" (900mm).
5. Engine Speed does not change.

See **Blade Size Conversion charts** for specific information.

THREE SPEED GEARBOX MODEL (14-26, 18-30, 20-36, 26-42, 30-48):



CAUTION: Never shift the **Gearbox (3-2A)** with engine running! Only shift the **Gearbox (3-2A)** with engine OFF! **Gearbox damage could occur.**

See "GEARBOX SHIFT LEVER (3-2O)" for details about operating shift lever.

A machine factory equipped with a Three Speed **ENGINE GEARBOX (3-2A)**, while designed to minimize adjustments required for blade size changes, will require some adjustments. The machine is designed to operate with a specified range of blade sizes inside the factory installed blade guard. Color coded information on machine, and information in operation manual, shows allowable blade sizes for current machine drive configuration. There are five (5) machine drive configurations: a) 14-26 for 14" to 26" (350 to 650 mm) blades, b) 18-30, for 18" to 30" (450 to 750 mm) blades, c) 20-36, for 20" to 36" (500 to 900 mm) blades, d) 26-42 for 26" to 42" (650-1000 mm) blades, e) 30-48 for 30" to 48" (760-1219 mm) blades (FS 8400 D). For example, to change the blade size on a machine drive configuration 18-30 within these range, 18" to 30" (450 to 750 mm), requires only that **GEARBOX SHIFT LEVER (3-2O)** be moved into the correct position (1, 2, or 3). If the required blade size is outside of the machine drive configuration range [below 18" (450mm) or above 30" (750 mm) for this example], then the machine drive configuration must be changed. This may require shifting the **GEARBOX SHIFT LEVER (3-2O)**, changing **BLADE SHAFT PULLEYS (3-2L)**, **GEARBOX PULLEYS (3-2N)** and **BLADE SHAFT FLANGES (2B & 2F)**.

Example: To change a three-speed gearbox model from a 20" (500mm) drive to a 36" (900mm) drive, first determine the machine drive configuration (14-26, 18-30, 20-36, 26-42, or 30-48). This should correspond to the **BLADE SHAFT FLANGE (2B & 2F)** diameter installed on the saw.

If the machine drive configuration is a 20-36, the **FLANGE (2B & 2F)** diameter is should be 6.00" (152mm):

- a) Verify proper pulley diameters are installed (See **Blade Size Conversion charts** for specific information).
- b) Shift the **GEARBOX SHIFT LEVER (3-2O)** from 3 to 1.
- c) Verify that machine drive configuration and blade shaft speed corresponds with information in operation manual, and gearbox range decal (504 11 98-09).

If the machine drive configuration is an 18-30, the **FLANGE (2B & 2F)** diameter should be 5.00" (127mm):

- a) Change the **BLADE SHAFT PULLEY** from 4.12" (105 mm) diameter to 4.75" (121mm).
- b) Change the **BLADE SHAFT FLANGE** from 5.00" (127mm) diameter to 6.00" (152mm).
- c) Shift the **GEARBOX SHIFT LEVER (3-2O)** from 2 to 1.
- d) Verify that machine drive configuration and blade shaft speed corresponds with 20-36 drive configuration information in operation manual.
- e) Install the 20-36 drive configuration decals (Decals 504 11 98-09, 542 20 65-49 are required). See the "Decals and Locations" page of this manual for more information.

If the machine drive configuration is a 14-26, the **FLANGE (2B & 2F)** diameter should be 4.50" (114.3mm):

- a) Change the **BLADE SHAFT PULLEY** from 4.12" (105mm) diameter to 4.75" (121mm).
- b) Change the **BLADE SHAFT FLANGE** from 4.50" (114.3mm) diameter to 6.00" (152mm).

- c) Change the ENGINE GEARBOX PULLEY from 4.75" (121mm) diameter to 4.12" (105mm).
- d) Shift the GEARBOX SHIFT LEVER (3-2O) from 2 to 1.
- e) Verify that machine drive configuration and blade shaft speed corresponds with 20-36 drive configuration information in operation manual.
- f) Install the 20-36 drive configuration decals (Decals 504 11 98-09, 542 20 65-49 are required). See the "Decals and Locations" page of this manual for more information.

See Blade Size Conversion charts for specific information.



WARNING: Serious injury can occur to the operator or people in the work area if the rotational speed (n/min) of the DIAMOND BLADE (2E) exceeds the maximum speed (n/min) marked on the DIAMOND BLADE (2E).



WARNING: After Shifting Gearbox, lower GEARBOX DETENT KNOB (3-2P) or three-speed ENGINE GEARBOX (3-2A) could be damaged!

If gearbox seems hard to shift, a slight movement of the blade shaft may ease movement of GEARBOX SHIFT LEVER (3-2O) into proper gear. Never shift the Gearbox (3-2A) with engine running!

Two Neutral positions are available in the Three Speed ENGINE GEARBOX (3-2A). This gearbox can be shifted into neutral if the blade rotation needs to be eliminated while the engine is running. If the machine is equipped with the optional BLADE CLUTCH (1V), the BLADE CLUTCH SWITCH (1V) can be moved to the "0" (OFF) position to eliminate blade rotation while the engine is running.

15 Accessories

BLADE GUARD CONVERSION KITS:

Use the proper size blade guard for the particular diamond blade size being operated. The following blade guards are available for these diamond blade sizes:

| Guard | Blade Sizes |
|--------------|---------------------------|
| 60" (1500mm) | 48" - 60" (1200 - 1500mm) |
| 48" (1200mm) | 36" - 48" (1000 - 1200mm) |
| 42" (1000mm) | 30" - 42" (750 - 1000mm) |
| 36" (900mm) | 24" - 36" (600 - 900mm) |
| 30" (750mm) | 18" - 30" (450 - 750mm) |
| 26" (600mm) | 14" - 26" (350 - 650mm) |
| 18" (450mm) | 14" - 18" (350 - 450mm) |

See Blade Size Conversion charts for specific information.

WEIGHT KITS:

Standard as on: 42" (1000mm), 48" (1200mm) & 60" (1500mm).

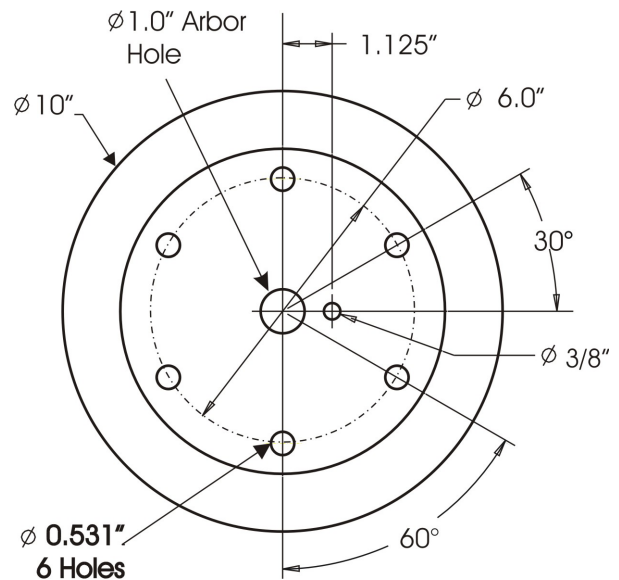
- 542 19 61-72 Kit, Rear weights 2 Bars 42"
- 542 19 80-22 Kit, Rear weights 3 Bars 48"
- 542 19 97-57 Kit, Rear weights 6 Bars 60"
(includes: Side weights) 5 Bars w/ handles

OPTIONAL KITS:

- 542 18 11-17* Dual Light Kit
- 542 19 96-26 Water Pump Kit

16 Large Diameter Models

The FS8400 can be configured with a 60" (1500mm) diameter blade capacity. The 60" drive can be ordered from the factory or can be reconfigured by ordering the conversion kit 542 19 96-25. See the Blade Size Conversion Chart for specifics. Depth of cut of 25" can be achieved. The large diameter model includes a frame extension, 60" blade guard and a blade shaft assembly with 10"



diameter flanges. The Flanges have the following pattern.

The Blade Hole pattern must match. Six (6), 1/2-13 x 2.5" long Hex Head Cap Screws pass through the outer flange through the blade core and thread into the inner flange supplying the clamping force to hold the blade. Use 1/2" lock washers with the clamping bolts. Also use the 5/8-11 x 4.0" Cap Screw, LH or RH thread through the center of the flange. Husqvarna will supply blades with this hole pattern.

The FS8400, when equipped with a 60" drive system is very heavy and the machine balance is greatly affected by installing or removing a blade. To counter the large balance changes, a weight box is mounted on the left or right rear of the saws. Weights can be easily removed and added to quickly adjust the machine balance to meet the operator's needs.

17 Repairs

We carry out all repairs in the shortest possible time and at the most economical prices. (See back page for our address and phone numbers.) Contact your authorized Dealer concerning maintenance and repairs.

18 Spare Parts

For quick supply of spare parts and to avoid any lost time, it is essential to quote the data on the manufacturer's plate fixed to the machine and the part number(s) and description to be replaced with every order.

Please reference Parts Lists manual (542 20 10-32):
(If you do not have a Parts List Manual, please call TOLL FREE 1-800-288-5040 in USA, or for International, call +1-913-928-1300.)

The instructions for use and spare parts found in this document are for information only and are not binding. As part of our product quality improvement policy, we reserve the right to make any and all technical modifications without prior notice.



The manufacturer accepts no responsibility caused by unsuitable use or modifications.

LISTA DE COMPROBACIÓN PRELIMINAR



Antes de salir de fábrica, todas las máquinas son probadas exhaustivamente. Siga nuestras instrucciones rigurosamente y su máquina le dará una larga vida útil en condiciones de operación normales.



Antes de poner en marcha la máquina, asegúrese de leer todas las Instrucciones de operación y familiarícese con el manejo de la máquina.

PREPARACIÓN DE LA MÁQUINA:



SIEMPRE estacione la máquina en una superficie plana con el motor “APAGADO” y el interruptor de encendido puesto en la posición “0” (APAGADO) antes de hacer cualquier trabajo de mantenimiento. ¡Deje que la máquina se enfríe!

1. Revise el aceite del motor. Llene hasta la marca “full” en la varilla de medición con aceite clase CE o CD 15W40.
2. Conecte los cables de la batería.

LISTA DE COMPROBACIÓN DESPUÉS DE 1 A 2 HORAS DE FUNCIONAMIENTO:



SIEMPRE estacione la máquina en una superficie plana con el motor “APAGADO” y el interruptor de encendido puesto en la posición “0” (APAGADO) antes de hacer cualquier trabajo de mantenimiento. ¡Deje que la máquina se enfríe!

1. Revise las abrazaderas de las mangueras del filtro de aire del motor. Apriételas según sea necesario.
2. Apriete las correas trapezoidales de accionamiento de la hoja. ¡NO las apriete en exceso!

REFERENCIA RÁPIDA PARA MANTENIMIENTO PROGRAMADO



Antes de hacer cualquier trabajo de mantenimiento, SIEMPRE estacione la máquina en una superficie plana con el motor “APAGADO” y el interruptor de encendido puesto en la posición “0” (APAGADO). ¡Deje que la máquina se enfríe!

SERVICIO DIARIO:

1. Revise el nivel de aceite del motor.
2. Revise protector de la hora para ver si hay daño.
3. Revise las mangueras y abrazaderas para ver si están dañadas o flojas. Apriete o reemplace según sea necesario.
4. Revise el indicador de restricción del filtro de aire. Cambie el filtro de aire primario si el indicador está rojo.
5. Cerciórese de que todos los protectores de seguridad están en su lugar y en buenas condiciones.

SERVICIO CADA 50 HORAS:

1. Limpie el filtro de aire del escudo trasero.
2. Inspeccione el filtro de aire del radiador y limpie según sea necesario.
3. Compruebe la tensión de la correa trapezoidal de accionamiento de la hoja. Ajuste la tensión de ambos lados uniformemente. ¡NO las apriete en exceso!
4. Lubrique los cojinetes de las ruedas delanteras.
5. Cambie el filtro del sistema hidráulico. (Primeras 50 horas solamente.)

SERVICIO CADA 100 HORAS:

1. Cambie el filtro y aceite del motor.
2. Lubrique los cojinetes de pivote del eje delantero.
3. Revise las ruedas para ver si están desgastadas o dañadas.
4. Revise los cubos y las ruedas traseras para ver si están flojos.
5. Revise las abrazaderas de las mangueras del filtro de aire del motor.
6. Revise el nivel de fluido del sistema hidráulico.

SERVICIO CADA 250 HORAS:

1. Cambie el filtro del sistema hidráulico.
2. Aplique 2 disparos de grasa a cada extremo del eje de la hoja.

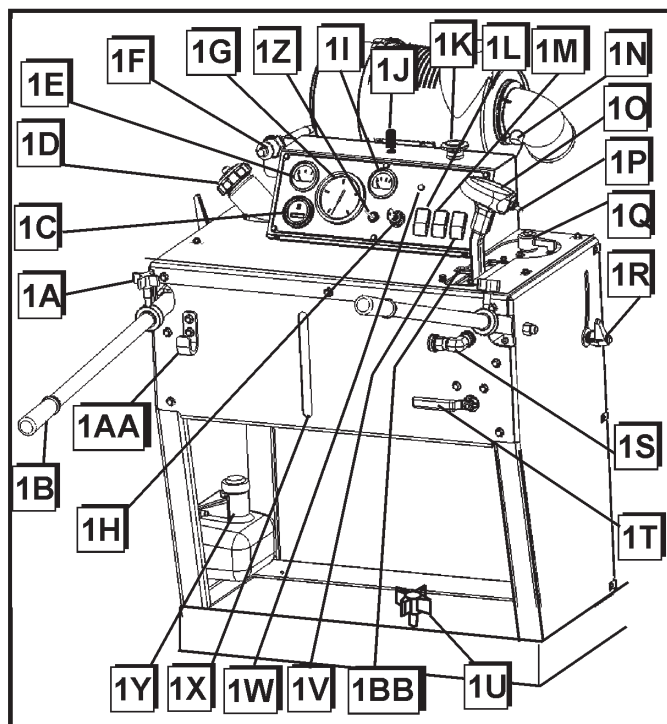
SERVICIO CADA 500 HORAS:

1. Cambie el fluido de la caja de engranajes del motor.
2. Cambie el fluido del sistema hidráulico.
3. Cambie el filtro de combustible del motor (tipo atornillable).

SERVICIO ANUAL:

1. Cambie el elemento primario y de seguridad del filtro de aire.

FIGURA 1:



- 1A. PERILLA:** Utilícela para apretar las empuñadura de los manillares.
- 1B. MANILLARES:** Para que el operador se sujete.
- 1C. HORÓMETRO:** Registra las horas de funcionamiento del motor.
- 1D. LLENADO DEL TANQUE DE COMBUSTIBLE:** Llene el tanque de combustible en este punto.
- 1E. TERMÓMETRO DEL AGUA:** El refrigerante es agua/glicol. Monitorea la temperatura del refrigerante del motor. La temperatura máxima segura es 220°F (104.4°C).
- 1F. ACELERADOR DEL MOTOR:** Controla la velocidad (rpm) del motor. Oprima el botón rojo para desbloquear. Empuje hacia dentro para disminuir la velocidad (rpm). Tire del botón para aumentar la velocidad (rpm). O, gírelo en sentido horario para aumentar la velocidad (rpm). Gírelo en sentido contrahorario para disminuir la velocidad (rpm).
- 1G. TACÓMETRO DEL MOTOR:** Indica las revoluciones por minuto y horas del motor.
- 1H. INTERRUPTOR DE ARRANQUE DEL MOTOR:** Use este interruptor para arrancar y parar el motor. También precalienta el motor.
- 1I. MEDIDOR DE VOLTAJE:** Indica el voltaje del sistema eléctrico.
- 1J. INTERRUPTOR DE AJUSTE DEL EJE:** Interruptor basculante para ajustar el eje impulsor trasero. Empuje el interruptor hacia la derecha para que la sierra avance hacia la derecha. Hacia la izquierda para que avance hacia la izquierda.

- 1K. BOTÓN PULSADOR ROJO:** Para **PARADA DE EMERGENCIA** de la sierra. Su función es interrumpir el suministro de energía a todos los sistemas excepto las luces, **TIRE** del botón para desenclavarlo. No lo utilice para paradas de rutina.
- 1L. INTERRUPTOR DE SEGURIDAD DEL AGUA:** Apaga el motor si se interrumpe el suministro de agua a la hoja. Ajustelo para activar el interruptor.
- 1M. TOPE DE PROFUNDIDAD DE LA HOJA:** Activa o anula el tope de velocidad para cortes repetitivos a la misma profundidad.
- 1N. INDICADOR DE RESTRICCIÓN DE AIRE:** Limpiar los elementos del filtro de aire cuando el indicador muestra una marca roja. Reactívalo antes de arrancar el motor.
- 1O. PALANCA DE CONTROL DE VELOCIDAD:** Controla la marcha adelante y marcha atrás, parada y velocidad de la sierra.
- 1P. INTERRUPTOR DE ELEVAR/BAJAR:** Ubicado en la palanca de control de velocidad. Utilícelo para elevar y bajar la sierra. Empuje hacia arriba para elevar la sierra. Empuje hacia abajo para bajar la sierra.
- 1Q. INDICADOR DE PROFUNDIDAD DE LA HOJA:** Indica la profundidad de corte. Establece la profundidad de corte para el **TOPE DE PROFUNDIDAD DE LA HOJA**.
- 1R. BLOQUEO DE AJUSTE DEL MANILLAR:** Gírelo en sentido horario para bloquear el manillar en posición. Gírelo en sentido contrahorario para desbloquear el manillar y repositarlo.
- 1S. ENTRADA DE AGUA:** Se conecta a una manguera de jardín de 3/4 pulgada para suministro de agua dulce.
- 1T. VÁLVULA DE AGUA:** Controla el caudal de agua para enfriar la hoja.
- 1U. PERILLA DE CONTROL DE VELOCIDAD DE BAJADA DE LA SIERRA:** Gire la perilla en sentido horario para reducir la velocidad de bajada. Gire la perilla en sentido contrahorario para aumentar la velocidad de bajada.
- 1V. INTERRUPTOR DE EMBRAGUE DE LA HOJA.** Engrana el accionamiento de la hoja. La luz indica que el embrague está embragado. Embrague solamente con el motor a 1200 rpm o menos.
- 1W. LUZ INDICADORA DE PRESIÓN DE ACEITE:** Se enciende cuando la presión de aceite del motor está baja y cuando la llave de contacto está en la posición de encendido con el motor apagado.

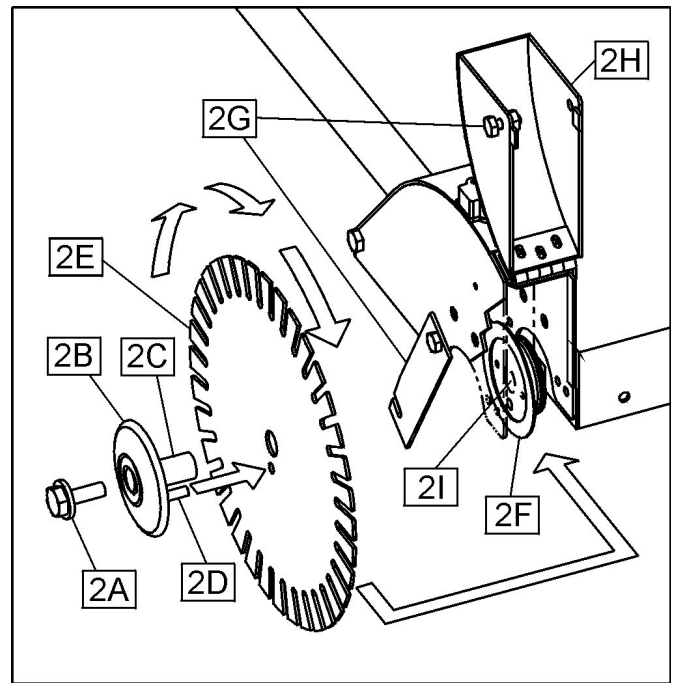
- 1X. INDICADOR VISUAL DEL NIVEL DE COMBUSTIBLE:** Indica el nivel de combustible en el tanque de combustible.
- 1Y. FRASCO DE REBOSE DE REFRIGERANTE DEL RADIADOR:** Recupera el refrigerante del radiador cuando el motor está caliente. Debe estar a 1/4 de su capacidad cuando el motor está apagado y frío.
- 1Z. INTERRUPTOR SELECTOR DEL TACÓMETRO:** Puede fijarse para indicar la velocidad del motor (RPM, n/min) o la velocidad del eje de la hoja (RPM, n/min). Fije en la posición superior para indicar la velocidad del motor y en la posición inferior para indicar la velocidad del eje de la hoja. Los equipos estándar de las máquinas están equipados con una caja de engranajes de tres velocidades, opcional para los demás.



ADVERTENCIA: ¡Observe la posición del INTERRUPTOR SELECTOR DEL TACÓMETRO (1Z)! El tacómetro puede indicar la velocidad de la hoja o la velocidad del motor. El operador o las personas del área de trabajo pueden sufrir lesiones graves si la velocidad de giro (n/min) de la HOJA DE DIAMANTE (2E) excede la velocidad máxima (n/min) indicada en la HOJA DE DIAMANTE (2E).

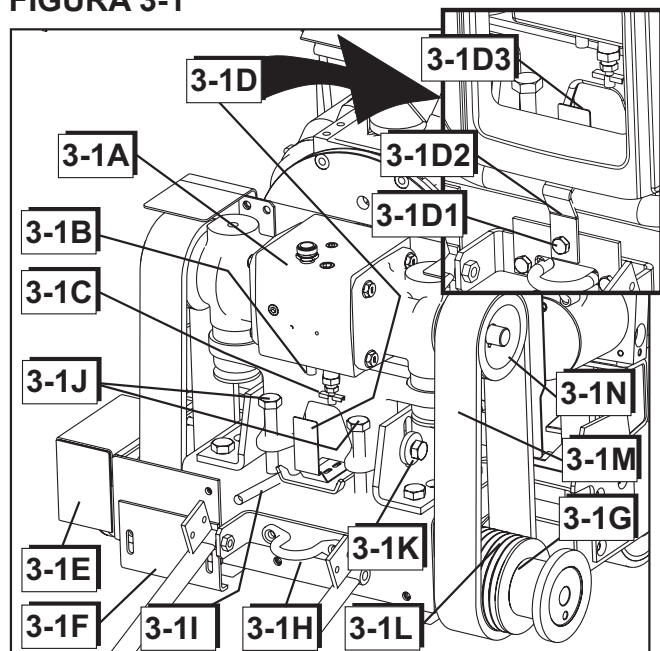
- 1AA. COLGADOR PARA MANGUERA:** Sujeta la manguera de suministro de agua.
- 1BB. POSICIÓN DE PARO:** La sierra interrumpirá el movimiento de avance cuando la palanca de control de velocidad (1O) está en esta posición. El motor no arrancará a menos que la palanca de control de velocidad (1O) esté en la posición de PARO.
- 1CC. AJUSTE MANUAL DEL EJE:** Gire el perno para ajustar el eje impulsor trasero. Si lo gira a la derecha (sentido horario) la sierra se dirige hacia la derecha. Hacia la izquierda (sentido contrahorario) la sierra se dirige hacia la izquierda.
- 1DD. ELEMENTO DEL FILTRO DE AIRE DEL RADIADOR**

FIGURA 2



- 2A. PERNO DEL EJE DE LA HOJA:** Utilícelo para fijar la hoja de diamante entre la brida interna y externa. El lado derecho de la sierra tiene rosca a izquierda. El lado izquierdo de la sierra tiene rosca a derecha.
- 2B. BRIDA EXTERNA:** Se usa para sujetar la hoja de diamante en posición.
- 2C. EJE DE BRIDA EXTERNA:** Se usa para soportar la hoja de diamante.
- 2D. PASADOR DE SEGURIDAD:** Se usa para evitar que la hoja de diamante gire en el eje durante el funcionamiento.
- 2E. HOJA DE DIAMANTE:** Se usa como herramienta de corte para superficies de hormigón y asfalto.
- 2F. BRIDA INTERNA:** Soporte interior utilizado para sujetar la hoja de diamante en posición.
- 2G. PESTILLO DELANTERO DEL PROTECTOR DE LA HOJA:** Se usa para enganchar la parte delantera del protector de la hoja.
- 2H. FRETE DEL PROTECTOR DE LA HOJA:** Parte frontal del protector de la hoja.
- 2I. EJE DE LA HOJA:** Soporta las bridas de la hoja y la hoja.

FIGURA 3-1



3-1A. CAJA DE ENGRANAJES DEL MOTOR: Modelo de una velocidad.

3-1B. CONEXIÓN PARA AGUA: Hace circular agua dulce por la caja de engranajes para enfriarla. Desde allí el agua fluye al protector de la hoja.

3-1C. VÁLVULA DE VACIADO DE AGUA: Para vaciar el agua de la caja de engranajes: gírela a la izquierda para abrir y a la derecha para cerrar. Vacíe diariamente para evitar la corrosión o daño debido a temperaturas bajo cero.

3-1D. TRABA DEL CAPÓ: Una traba fija el capó en la posición inferior. Funcionamiento del modelo para EE.UU.: 1. Presione la TRABA DEL CAPÓ (3-1D3/3-2D3) hacia adentro. 2. Levante el capó hasta que el SOPORTE DEL CAPÓ (6H) se enganche y soporte el capó. Funcionamiento del modelo para la CE: 1. Utilice la herramienta para aflojar el tornillo de casquete (3-1D1/3-2D1). 2. Pivote la traba tubular (3-1D2/3-2D2) hacia abajo. 3. Presione la TRABA DEL CAPÓ (3-1D3/3-2D3) hacia adentro. 4. Levante el capó hasta que el SOPORTE DEL CAPÓ (6H) se enganche y soporte el capó.

3-1E. CUBIERTA DE LA BRIDA: Protege del contacto contra la BRIDA durante la operación. Debe matenerse siempre en su lugar.

3-1F. ESCUDO PROTECTOR DE LA CORREA: Mantenga en su lugar.

3-1G. CONJUNTO DE TUBO DEL EJE DE LA HOJA: Unidad sellada contiene el eje de la hoja, los cojinetes y sellos del eje.

3-1H. ASAS DE AMARRE: Utilizadas para amarrar la sierra durante el transporte en vehículo. No se utilizan para izar la sierra.

3-1I. VÁLVULA DE VACIADO DE ACEITE DEL MOTOR: Para vaciar el aceite del motor sin usar herramientas.

3-1J. PERNOS PARA TENSAR LA CORREA:

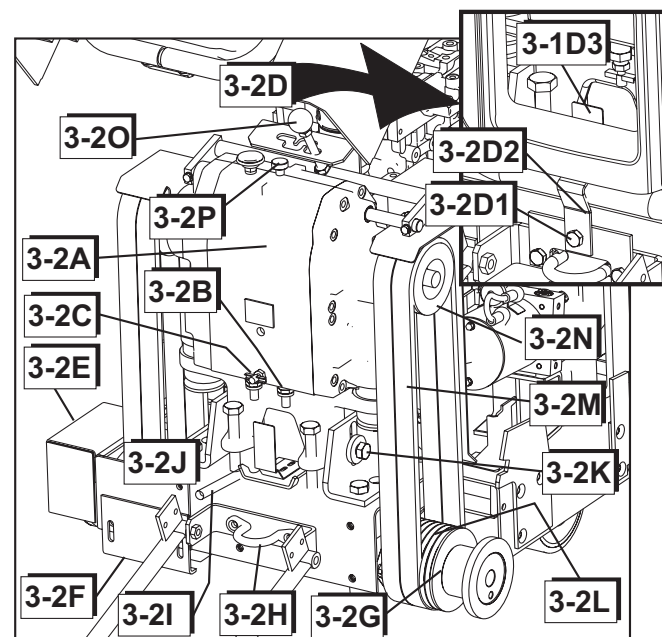
3-1K. PERNO DE FIJACIÓN HORIZONTAL:

3-1L. POLEA DEL EJE DE LA HOJA:

3-1M. CORREAS TRAPEZOIDALES: Juego de 4.

3-1N. POLEA DE LA CAJA DE ENGRANAJES:

FIGURA 3-2



3-2A. CAJA DE ENGRANAJES DEL MOTOR: Modelo de tres velocidades.

3-2B. CONEXIÓN PARA AGUA: Hace circular agua dulce por la caja de engranajes para enfriarla. Desde allí el agua fluye al protector de la hoja.

3-2C. VÁLVULA DE VACIADO DE AGUA: Para vaciar el agua de la caja de engranajes: gírela a la izquierda para abrir y a la derecha para cerrar. Vacíe diariamente para evitar la corrosión o el daño debido a temperaturas bajo cero.

3-2D. TRABA DEL CAPÓ: Una traba fija el capó en la posición inferior. Funcionamiento del modelo para EE.UU.: 1. Presione la TRABA DEL CAPÓ (3-1D3/3-2D3) hacia adentro. 2. Levante el capó hasta que el SOPORTE DEL CAPÓ (6H) se enganche y soporte el capó. Funcionamiento del modelo para la CE: 1. Utilice la herramienta para aflojar el tornillo de casquete (3-1D1/3-2D1). 2. Pivote la traba tubular (3-1D2/3-2D2) hacia abajo. 3. Presione la TRABA DEL CAPÓ (3-1D3/3-2D3) hacia adentro. 4. Levante el capó hasta que el SOPORTE DEL CAPÓ (6H) se enganche y soporte el capó.

3-2E. CUBIERTA DE LA BRIDA: Protege del contacto contra la BRIDA durante la operación. Debe matenerse siempre en su lugar.

3-2F. ESCUDO PROTECTOR DE LA CORREA: Mantener en su lugar.

3-2G. CONJUNTO DE TUBO DEL EJE DE LA HOJA: Unidad sellada contiene el eje de la hoja, los cojinetes y sellos del eje.

3-2H. ASAS DE AMARRE: Utilizadas para amarrar la sierra durante el transporte en vehículo. No se debe utilizar para izar la sierra.

3-2I. VÁLVULA DE VACIADO DE ACEITE DEL MOTOR: Para vaciar el aceite del motor sin usar herramientas.

3-2J. PERNOS PARA TENSAR LA CORREA:

3-2K. PERNO DE FIJACIÓN HORIZONTAL:

3-2L. POLEA DEL EJE DE LA HOJA:

3-2M. CORREAS TRAPEZOIDALES: Juego de 4.

3-2N. POLEA DE LA CAJA DE ENGRANAJES:

3-2O. PALANCA DE CAMBIOS DE LA CAJA DE ENGRANAJES: Úsela para cambiar la velocidad de salida de la CAJA DE ENGRANAJES DEL MOTOR (3-2A). Se dispone de tres velocidades y dos posiciones neutrales. Las posiciones de la PALANCA DE CAMBIOS DE LA CAJA DE ENGRANAJES (1, 2 y 3) están codificadas por colores para adaptarse entre otras cosas a la calcomanía de la gama de la caja de engranajes / RPM de la hoja. Operación de la PALANCA DE CAMBIOS DE LA CAJA DE ENGRANAJES:

1) Gire el INTERRUPTOR DE ARRANQUE DEL MOTOR (1H) a la posición de APAGADO ("0"). ¡Gire siempre el motor a la posición de APAGADO antes de efectuar un cambio en la caja de engranajes!

2) Verifique que el tamaño de la polea, tamaño de la brida y velocidad del eje de la hoja sean correctos para el tamaño de la hoja que se vaya a montar.



ADVERTENCIA: El operador o las personas del área de trabajo pueden sufrir lesiones graves si la velocidad de giro (n/min) de la HOJA DE DIAMANTE (2E) excede la velocidad máxima (n/min) indicada en la HOJA DE DIAMANTE (2E).

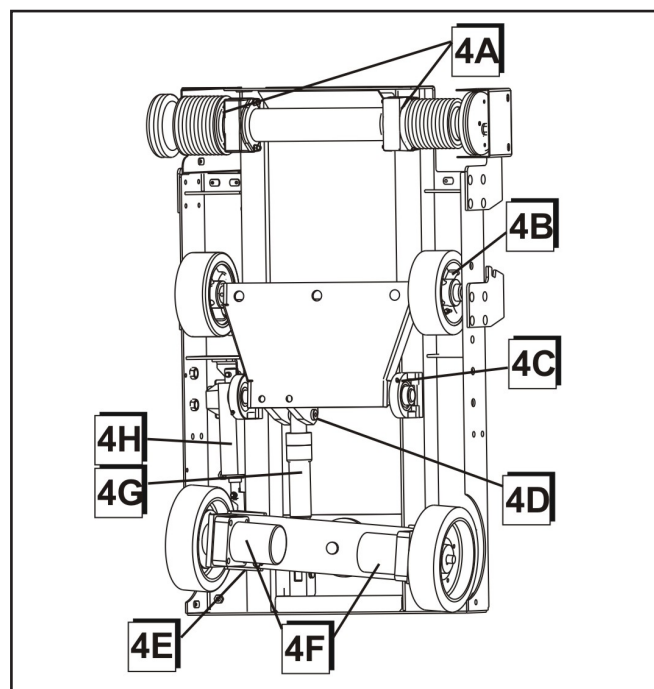
3) Levante la PERILLA DE TOPE DE LA CAJA DE ENGRANAJES (3-2P) y gírela para mantenerla en la posición "ABIERTA".

4) Mueva la PALANCA DE CAMBIOS DE LA CAJA DE ENGRANAJES (3-2O) a la marcha requerida. Un ligero "movimiento de oscilación" del eje de salida de la caja de engranajes (o EJE DE LA HOJA) puede mejorar los cambios.

5) Gire y baje de nuevo la PERILLA DE TOPE DE LA CAJA DE ENGRANAJES (3-2P) a la posición "BLOQUEADA" original.

3-2P. PERILLA DE RETENCIÓN DE LA CAJA DE ENGRANAJES: Fija la PALANCA DE CAMBIOS DE LA CAJA DE ENGRANAJES (3-2O) en su posición. Consulte la PALANCA DE CAMBIOS DE LA CAJA DE ENGRANAJES (3-2O) para ver cómo funciona.

FIGURA 4



4A. SELLOS DE COJINETES DEL EJE DE LA HOJA

4B. COJINETES DE LAS RUEDAS DELANTERAS

4C. COJINETES DE PIVOTE DEL EJE DELANTERO

4D. PASADOR DE PIVOTE DEL CILINDRO HIDRÁULICO

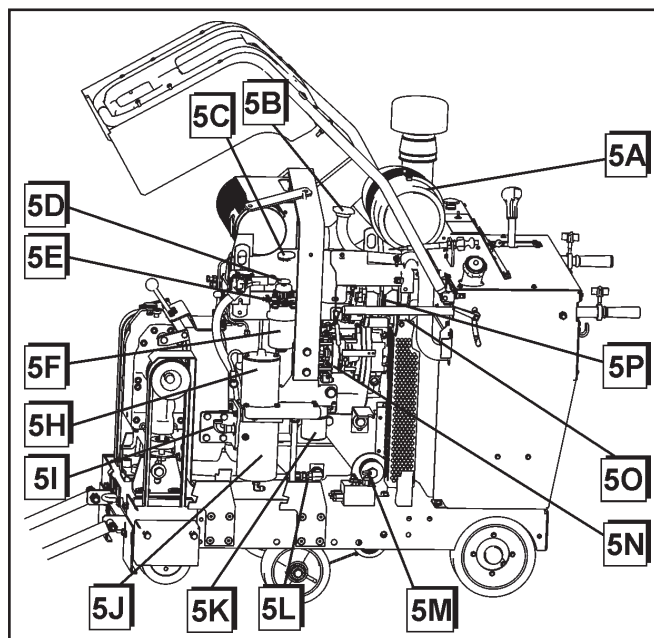
4E. EJE TRASERO

4F. MOTOR HIDRÁULICO DE LAS RUEDAS

4G. CILINDRO DE ELEVAR Y BAJAR

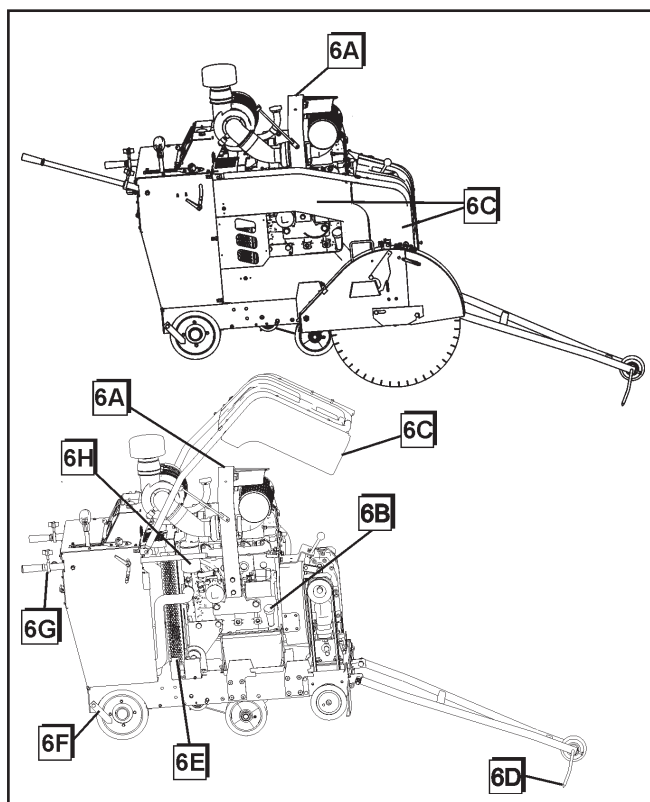
4H. ACCIONADOR LINEAL

FIGURA 5



- 5A. CONJUNTO DEL FILTRO DE AIRE:** Incluye:
- Caja
 - Cubierta
 - Elemento primario externo: Limpiar o cambiar cuando el indicador de restricción muestra una advertencia ROJA.
 - Elemento de seguridad interno: NO limpie este elemento del filtro. Cámbielo 1 vez por año o si se daña.
- 5B. LLENADO DE REFRIGERANTE DEL RADIADOR:** Llene el radiador desde este punto. Cambie la tapa si está dañada.
- 5C. LLENADO DE ACEITE DEL MOTOR:** Uno de dos puntos de llenado.
- 5D. BOMBA CEBADORA MANUAL DE COMBUSTIBLE:** Oprima para cebar las mangueras de combustible para facilitar el arranque inicial o según sea necesario.
- 5E. VÁLVULA DE PURGA DE COMBUSTIBLE:** Ábrala para purgar aire de las mangueras de combustible.
- 5F. SEPARADOR DE AGUA DEL FILTRO DE COMBUSTIBLE:** Consulte el manual del motor John Deere.
- 5G. ---**
- 5H. BOMBA DE ELEVACIÓN C.C.:** Eleva y baja la sierra.
- 5I. LLENADO DEL DEPÓSITO HIDRÁULICO:** Llene y revise el fluido del sistema hidráulico aquí.
- 5J. DEPÓSITO HIDRÁULICO:** 1.5 cuartos (1.42 litros).
- 5K. FILTRO HIDRÁULICO:** Filtra el fluido del sistema hidráulico.
- 5L. MANGUERA DE VACIADO DE ACEITE DEL MOTOR:** Se conecta a la válvula de vaciado de aceite 3l. Utilice para vaciar el aceite del motor.
- 5M. VÁLVULA DE DERIVACIÓN DE LA TRANSMISIÓN:** Gire en sentido contrahorario para abrir. Gire en sentido horario para cerrar. Abra para empujar la sierra de cortar hormigón.
- 5N. BOMBA DE TRANSMISIÓN HIDROSTÁTICA.**
- 5O. CORREA DEL ALTERNADOR/BOMBA DE AGUA:** Autotensante. Para repuestos, consulte con John Deere.
- 5P. ALTERNADOR:** Para repuestos, consulte con John Deere.

FIGURA 6



- 6A. GANCHO PARA SUBIR:** Use este punto para subir la sierra.
- 6B. REVISIÓN DEL NIVEL DE ACEITE:** La varilla de medición indica el nivel de aceite. También, es un punto de llenado de aceite.
- 6C. PROTECTORES Y ESCUDOS DE LAS CORREAS:** Protegen el motor, los accionamientos y el ventilador de enfriamiento.
- 6D. GUÍA DELANTERA:** Se usa para localizar la trayectoria de la hoja de diamante en la línea de corte.
- ¡NO HAGA FUNCIONAR EL MOTOR SIN TENER LOS ESCUDOS INSTALADOS!**
- 6E. ESCUDOS DEL VENTILADOR:** Protegen el motor, ventilador de enfriamiento, poleas y accionamientos de las correas.
- 6F. GUÍA TRASERA:** Se usa para localizar la trayectoria de la hoja de diamante en la línea de corte.
- 6G. MANILLARES:** Se usan para maniobrar la sierra. No se utilizan para subir la sierra.
- 6H. FILTRO DE ACEITE DEL MOTOR:** Es necesario cambiar el elemento del filtro de aceite cuando se cambia el aceite. (100 hrs)



Estos avisos le dan consejos por su seguridad

Antes de salir de fábrica, todas las máquinas son probadas exhaustivamente.

Siga nuestras instrucciones rigurosamente y su máquina le dará una larga vida útil en condiciones de operación normales.

1. Usos

Uso: Aserrado en húmedo de hormigón y asfalto viejos y nuevos. Aserrado en seco solamente con la aprobación del fabricante de la hoja para aplicaciones específicas.

Herramientas: Hojas de diamante — enfriadas por agua, Ø: 14 pulg, 18 pulg, 20 pulg, 24 pulg, 26 pulg, 30 pulg, 36 pulg, 42 pulg, 48 pulg and 60 pulg con eje de 1 pulg de Ø. (Para ampliar la información, contáctese con su proveedor Husqvarna.)

Profundidades de corte (máxima):

| Hoja | Profundidad | Hoja | Profundidad |
|---------|-------------|---------|-------------|
| 14 pulg | 4.5 pulg | 350 mm | 110 mm |
| 18 pulg | 6.5 pulg | 450 mm | 160 mm |
| 20 pulg | 7.5 pulg | 500 mm | 175 mm |
| 24 pulg | 9.5 pulg | 600 mm | 225 mm |
| 26 pulg | 10.5 pulg | 650 mm | 260 mm |
| 30 pulg | 12.5 pulg | 750 mm | 310 mm |
| 36 pulg | 15.0 pulg | 900 mm | 375 mm |
| 42 pulg | 17.5 pulg | 1000 mm | 410 mm |
| 48 pulg | 20.0 pulg | 1200 mm | 500 mm |
| 60 pulg | 25.0 pulg | 1500 mm | 620 mm |

Antes de poner en marcha la máquina, asegúrese de leer todo este manual y familiarícese con el manejo de la máquina.

La zona de trabajo debe estar totalmente despejada, bien iluminada y todos los peligros para la seguridad retirados.

El operador debe usar vestimenta protectora apropiada para el trabajo que está realizando.

Toda persona no involucrada en el trabajo debe retirarse del lugar.

Use solamente hojas marcadas con una velocidad máxima de funcionamiento mayor que la velocidad del eje de la hoja.

2. Traslado de la máquina

(Vea las figuras 1, 2 y 5)

Ajuste de los manillares al largo que se desea:

- Afloje la perilla (1A), tire del manillar (1B) hacia dentro o fuera al largo que desea, y después apriete la perilla (1A). Para ajustar la altura del manillar, gire el bloqueo (1R) de ajuste en sentido contra horario para desbloquear. Ajuste el manillar (1B) a la altura que desea. Gire el bloqueo (1R) de ajuste en sentido horario para bloquearlo en su lugar.

Traslado de la sierra con el motor apagado:

- Ponga el interruptor (1H) de arranque del motor en la posición "1" (MARCHA).
- Eleve la sierra empujando hacia arriba el interruptor basculante (1P) en la palanca de control de velocidad (1O) hasta que la hoja de diamante (2E) (si está instalada) se aleja de la superficie de pavimento.
- Ponga la palanca de control de velocidad (1O) en posición de PARO (1BB).
- Ajuste la válvula de derivación (5M) de la transmisión en sentido contra horario a la posición arriba (NEUTRO).
- Ahora, puede mover la sierra situándose detrás de ella y empujando [mientras se sujeta de los manillares (1B)].

NO intente empujar la sierra mientras está en NEUTRO en una pendiente (o colina). El operador podría perder el control de la sierra y causar lesiones a el mismo u otras personas en el lugar.

Traslado de la sierra con el motor encendido:

- Eleve la sierra empujando hacia arriba el interruptor basculante (1P) en la palanca de control de velocidad (1O) hasta que la hoja de diamante (2E) (si está instalada) se aleja de la superficie de pavimento.
- Ponga el botón de interruptor (1L) de seguridad del agua en posición "0" (APAGADO).
- La palanca de control de velocidad (1O) debe estar en posición de PARO (1BB) para poner en marcha la sierra. El motor NO arrancará a menos que la palanca de control de velocidad (1O) esté en la posición de PARO (1BB).
- Verifique que la válvula de derivación (5M) de la transmisión esté girada en sentido horario (ABAJO) en la posición cerrada. **NO** arranque el motor si la válvula (5M) está en posición neutro (ABIERTA).
- Gire el acelerador (1F) del motor a una posición de velocidad baja.
- Ponga el interruptor de embrague (si está instalado) (1V) de la hoja en "0" (APAGADO).
- En condiciones de frío (bajo 32°F (0°C)) empuje hacia dentro el interruptor (1H) de arranque del motor por 15 segundos. Esto calienta las bujías incandescentes para facilitar el arranque en clima frío.



• Ponga el interruptor (1H) de arranque del motor en la posición “2” (**MARCHA**) hasta que el motor arranque, después suelte el interruptor. Regresará a la posición **MARCHA**. Si el motor no arranca, repita estos pasos.



• Empuje la palanca de control de velocidad (1O) hacia adelante para mover la sierra HACIA ADELANTE, o empújela hacia atrás para moverla HACIAATRÁS. Cuanto más empuje la palanca más rápida la velocidad.



NO ABRA la válvula de derivación (5M) a neutro mientras la sierra está estacionada en una pendiente (o colina), el operador podría perder el control y causar lesiones o daños.

3 Transporte (sin la hoja)

(Vea las figuras 1, 2 y 5)



Apague el motor. Ponga la palanca de control de velocidad (1O) en posición de PARO (1BB). Quite la hoja de diamante (2E) antes de transportar la sierra.

Tenga sumo cuidado cuando suba y baje rampas con la sierra, con el motor funcionando.

- Para **DESCENDER** una rampa conduzca la sierra en **MARCHA ADELANTE** lentamente.
- Para **ASCENDER** una rampa, retroceda con la sierra en **MARCHA ATRÁS** lentamente.



Para rampas empinadas, siempre use una cuña. No se sitúe jamás más abajo de la máquina.

Subida de la sierra. La sierra puede subirse solamente del gancho de subida (6A) instalado en fábrica.

Para transporte en vehículo:

- Ponga el interruptor de arranque (1H) del motor en posición de **APAGADO**.
- Ponga la palanca de control de velocidad (1O) en posición de PARO (1BB) (PARO).
- Empuje el manillar (1B) hacia adentro y apriete las perillas (1A).



Bloquee la sierra en posición o sujétela utilizando las ASAS DE AMARRE (3H) instaladas en fábrica, adelante y atrás para impedir que la máquina se mueva durante el transporte.

4 Revisiones antes del arranque



Tome en cuenta las condiciones de trabajo desde el punto de vista de la salud y seguridad.

- **Combustible** (Consulte el manual de mantenimiento del motor.) Use combustible diesel N°2 para condiciones normales.

- Verifique que el nivel de aceite del motor está correcto. Debido a que el motor a menudo funciona en un ángulo, revise frecuentemente el nivel de aceite (con el motor horizontal) para asegurarse de que el nivel nunca baje por debajo de la marca inferior en la varilla de medición. Se recomienda usar aceite para motor CD o CE 15W40. (**6B**)
- Para el arranque, consulte el manual del motor. Consulte el manual OMRG34851 de John Deere.

5 Colocación de la hoja

(Vea las figuras 1 y 2)

- Ponga el interruptor (1H) de arranque del motor en la posición “1”.
- Eleve la máquina a una posición alta utilizando el interruptor de elevar/bajar (1P) en la palanca de control de velocidad (1O).
- **Ponga el interruptor de arranque (1H) del motor en posición de APAGADO.**
- Afloje el perno en el pestillo (2G) del protector de la hoja.
- Levante la mitad delantera del protector (2H) de la hoja.
- Afloje el perno (2A) del eje de la hoja. Retire la brida (2B) externa.
- Inserte la hoja de diamante (2E) en el eje de la brida externa (2C).
- Instale la brida externa (2B) en el eje (2I) de la hoja asegurándose de que el pasador de fijación (2D) atraviese la hoja de diamante (2E) y la brida interna (2F).



Observe la dirección de rotación de la hoja. La dirección está indicada por una flecha en la HOJA DE DIAMANTE (2E) y en el PROTECTOR (2H) DE LA HOJA. Asegúrese de que las superficies de contacto de la HOJA DE DIAMANTE (2E), LAS BRIDAS INTERNA Y EXTERNA (2B y 2F) y el EJE (2C) DE LA HOJA están limpias.

- Para eliminar el contragolpe, haga girar la brida externa (2B) y la hoja de diamante (2E) en sentido contrario a la rotación de la hoja.
- Mientras sujeta firmemente la hoja de diamante (2E), instale y apriete el perno (2A) del eje de la hoja utilizando la llave respectiva.
- Baje la mitad delantera del protector (2H) de la hoja y apriete el perno (2G) del pestillo (2G) del protector de la hoja.



El perno (2A) del eje de la hoja en el lado derecho tiene rosca a izquierda. El perno (2A) del eje de la hoja en el lado izquierdo tiene rosca a derecha.



Los protectores deslizantes de la hoja están provistos de un pestillo de seguridad que engancha la placa de soporte y un perno para retener la parte trasera del protector.



No maneje la sierra sin que tenga el pestillo enganchado y el perno instalado. Inspeccione los protectores de la hoja y los pestillos frecuentemente. No la use si están dañados.

Para quitar un PROTECTOR DESLIZANTE:

- Utilizando la llave para eje de la hoja, retire el perno de retención trasero.
- Deslice la llave para eje de la hoja entre el protector y la correa hacia la palanca de pestillo. Levante la palanca para destrabar y saque el protector de la placa de soporte.

Para instalar un PROTECTOR DESLIZANTE:

- Baje el protector sobre la placa de soporte hasta que el pestillo se enganche.
- Instale el perno en la parte trasera del protector utilizando la llave para eje de la hoja.

6 Arranque de la sierra

(Vea las figuras 1, 2 y 5)



Siempre preste mucho cuidado y atención a la preparación de la máquina antes del arranque.



Retire todas las llaves y herramientas del suelo y de la máquina.



Siempre mantenga todos los protectores de la hoja, correa y ventilador en su lugar.

- Respete todas las instrucciones de operación y las advertencias incluidas en este manual y en la máquina.
- Cierre la válvula (1T) de agua.
- Marque la superficie que va a cortar, trazando una línea donde hará el corte.
- Tire del manillar (1B) hasta el largo que desea y apriete las perillas (1A).
- Baje la guía delantera (6D) y alinee la guía delantera (6D), la guía trasera (6F) y la hoja de diamante (2E) con la línea trazada en la superficie.
- Para poner en marcha la sierra cuando no hay presión de agua, ponga el interruptor de seguridad (1L) del agua en posición “0” (**APAGADO**).
- Ponga la palanca de control de velocidad (1O) en posición de PARADA (1BB). El motor de la sierra no arrancará a menos que la palanca de control de velocidad (1O) esté en la posición de PARADA (1BB). Verifique que la válvula de derivación (5M) de la transmisión está cerrada en la posición **abajo**.
- Ponga el interruptor de embrague (1V) de la hoja en “0” (**APAGADO**) (si lo hubiera).
- Arranque el motor utilizando el interruptor de arranque (1H). Ejecute el procedimiento descrito en el manual del motor.
En condiciones de frío, precaliente las bujías incandescentes del motor manteniendo oprimido el interruptor de arranque (1H) por 15 segundos.
- Deje que el motor se caliente por varios minutos con el acelerador (1F) en posición de velocidad baja.
- Cuando esté listo, abra la válvula (1T) de agua.
- Ponga el interruptor de seguridad (1L) de agua en posición “1” (**ENCENDIDO**).



Pruebe si el suministro de agua es adecuado. (2.5 - 5.0 gal/min) (10 - 20 litros/min) Un caudal de agua bajo dañaría las hojas de diamante.

- Tire del acelerador (1F) para ajustar el motor a 3000 rpm.

Consulte la tabla para determinar las velocidades apropiadas del eje de la hoja y del motor para los tamaños de hoja específicos.

- Mueva la sierra hacia adelante o hacia atrás empujando o tirando la palanca de control de velocidad (1O). Mueva la sierra lentamente para evitar que la hoja se pare. Asegúrese de que la guía delantera (6D), guía trasera (6F) y la hoja de diamante (2E) se mantengan en la línea.
- Ponga el interruptor (1V) de embrague de la hoja en “1” (**ENCENDIDO**) para embragar el accionador de la hoja (si lo hubiera), ¡SOLAMENTE CON EL MOTOR EN MARCHA LENTA!
- Baje la sierra empujando hacia abajo el interruptor de elevar/bajar (1P) en la palanca de control de velocidad (1O) hasta que la hoja de diamante (2E) esté a la profundidad de corte deseada (vea la “Información sobre la profundidad de corte de la hoja”).



Cerciórese que el caudal de agua sea abundante para cortar en húmedo.

Información sobre la profundidad de corte de la hoja:

La sierra está equipada con un INDICADOR DE PROFUNDIDAD DE LA HOJA (1Q), que tiene dos escalas numéricas. Se usan escalas numéricas naranjas y blancas con dos finalidades diferentes:

- 1) La escala numérica de “Profundidad”, indicada por el color Naranja, muestra la Profundidad de corte actual de la HOJA DE DIAMANTE (2E). A medida que se baja a sierra, la aguja del INDICADOR DE PROFUNDIDAD DE LA HOJA (1Q) se desplaza por estos números por orden ascendente. O bien,
- 2) La escala numérica de la Profundidad máxima fijada (SMD, en inglés), indicada por el color Blanco, es la profundidad sin cortar de la HOJA DE DIAMANTE (2E). La profundidad de corte máxima deseada se prefija usando el INDICADOR DE PROFUNDIDAD DE LA HOJA (1Q). Puede usarse con o sin el INTERRUPTOR DE TOPE DE PROFUNDIDAD DE LA HOJA (1M), a medida que se baja la hoja, la aguja del INDICADOR DE PROFUNDIDAD DE LA HOJA (1Q) se desplaza por la escala numérica de color Blanco por orden descendente, indicando la profundidad de corte sin terminar. Cuando la aguja del INDICADOR DE PROFUNDIDAD DE LA HOJA (1Q) alcanza la posición “0”, se logra la profundidad de corte máxima deseada. Si se usa la función del INTERRUPTOR DE TOPE DE PROFUNDIDAD DE LA HOJA (1M) [posición “1” o “ON”], el proceso de bajada se detiene automáticamente.

Uso del INDICADOR DE PROFUNDIDAD DE LA HOJA (1Q):

Modalidad de “Profundidad” (Los números de color Naranja muestran la profundidad de corte actual)

- Ponga el INTERRUPTOR DE ARRANQUE DEL MOTOR (1H) en posición “0” (APAGADO) para PARAR el motor (si está funcionando).

- Ponga el INTERRUPTOR DE ARRANQUE DEL MOTOR (1H) en posición "1" (MARCHA) para suministrar energía al sistema eléctrico.
- Gire el INTERRUPTOR DE TOPE DE PROFUNDIDAD DE LA HOJA (1M) a la posición "0" (APAGADO).
- Baje la HOJA DE DIAMANTE (2E) empujando hacia abajo el INTERRUPTOR BASCULANTE (1P) en la PALANCA DE CONTROL DE VELOCIDAD (1O) hasta que la HOJA DE DIAMANTE (2E) toque la superficie que se va a cortar.
- Eleve la hoja empujando hacia arriba el INTERRUPTOR BASCULANTE (1P) en la PALANCA DE CONTROL DE VELOCIDAD (1O) hasta que la HOJA DE DIAMANTE (2E) se aleja de la superficie a cortar.
- Gire la aguja del INDICADOR DE PROFUNDIDAD DE LA HOJA (1Q) para alinearla con la profundidad "0".
- A medida que se baja la HOJA DE DIAMANTE (2E) hasta la superficie de corte, la profundidad de corte actual vendrá indicada ahora por la escala numérica de texto naranja en la aguja del INDICADOR DE PROFUNDIDAD DE LA HOJA (1Q).

SMD o modalidad de Profundidad máxima fijada sin PARADA DE PROFUNDIDAD DE LA HOJA (números de color blanco que muestran la profundidad sin cortar)

- Ponga el INTERRUPTOR DE ARRANQUE DEL MOTOR (1H) en posición "0" (APAGADO) para PARAR el motor (si está funcionando).
- Ponga el INTERRUPTOR DE ARRANQUE DEL MOTOR (1H) en posición "1" (MARCHA) para suministrar energía al sistema eléctrico.
- Baje la HOJA DE DIAMANTE (2E) empujando hacia abajo el INTERRUPTOR BASCULANTE (1P) en la PALANCA DE CONTROL DE VELOCIDAD (1O) hasta que la HOJA DE DIAMANTE (2E) toque la superficie que se va a cortar.
- Gire la aguja del INTERRUPTOR DE PROFUNDIDAD DE LA HOJA (1Q) para alinearla con la profundidad de corte máximo deseado en la escala numérica de color blanco. La profundidad sin cortar vendrá indicada ahora en la escala numérica de color blanco. Cuando la aguja del INDICADOR DE PROFUNDIDAD DE LA HOJA (1Q) está en la posición "0", la sierra está cortando a la profundidad de corte máximo deseado.
- Eleve la hoja empujando hacia arriba el INTERRUPTOR BASCULANTE (1P) en la PALANCA DE CONTROL DE VELOCIDAD (1O) hasta que la HOJA DE DIAMANTE (2E) se aleja de la superficie a cortar.
- Gire el INTERRUPTOR DE ARRANQUE DEL MOTOR (1H) a la posición "0" (APAGADO) para desconectar el sistema eléctrico.

SMD o modalidad de Profundidad máxima fijada usando el INTERRUPTOR DE TOPE DE PROFUNDIDAD DE LA HOJA (números de color blanco que muestran la profundidad sin cortar)

- Ponga el INTERRUPTOR DE ARRANQUE DEL MOTOR (1H) en posición "0" (APAGADO) para PARAR el motor (si está funcionando).

- Ponga el INTERRUPTOR DE PARADA DE PROFUNDIDAD DEL MOTOR (1M) en la posición "0" (APAGADO) para invalidar la tope de profundidad marcada. La sierra se elevará y bajará sobre su gama completa sin detenerse.
- Ponga el INTERRUPTOR DE ARRANQUE DEL MOTOR (1H) en posición "1" (MARCHA) para suministrar energía al sistema eléctrico.
- Baje la HOJA DE DIAMANTE (2E) empujando hacia abajo el INTERRUPTOR BASCULANTE (1P) en la PALANCA DE CONTROL DE VELOCIDAD (1O) hasta que la HOJA DE DIAMANTE (2E) toque la superficie que se va a cortar.
- Gire la aguja del INTERRUPTOR DE PROFUNDIDAD DE LA HOJA (1Q) para alinearla con la profundidad de corte máximo deseado en la escala numérica de color blanco.
- Ponga el INTERRUPTOR DE TOPE DE PROFUNDIDAD DE LA HOJA (1M) en la posición "1" (ENCENDIDO).
- Eleve la hoja empujando hacia arriba el INTERRUPTOR BASCULANTE (1P) en la PALANCA DE CONTROL DE VELOCIDAD (1O) hasta que la HOJA DE DIAMANTE (2E) se aleja de la superficie a cortar.
- Gire el INTERRUPTOR DE ARRANQUE DEL MOTOR (1H) a la posición "0" (APAGADO) para desconectar el sistema eléctrico.
- Ahora está fijada la profundidad de corte máxima. Si la sierra se levanta fuera de la superficie de corte por cualquier razón, se puede bajar ahora a la "Profundidad máx. fijada" bajando la hoja hasta que se detiene el movimiento de bajada de la sierra.



La sierra NO se bajará a una profundidad mayor que la posición fijada en el INTERRUPTOR DE TOPE DE PROFUNDIDAD DE LA HOJA (1Q). Si se requiere un corte más profundo, tendrá que fijar el INDICADOR DE PROFUNDIDAD DE LA HOJA (1Q) en la nueva posición de profundidad, o empujar el INTERRUPTOR DE TOPE DE PROFUNDIDAD DE LA HOJA (1M) a la posición "0" (APAGADA) para invalidar la función de tope de profundidad.

7 Parada de la sierra

(Vea las figuras 1 y 2)



Para una PARADA DE EMERGENCIA, oprima el BOTÓN PULSADOR ROJO (1K) en la cubierta del motor. Esta acción parará el motor e interrumpirá el suministro de energía a todos los componentes eléctricos excepto las luces. Para desenclavar (volver a poner en servicio) el INTERRUPTOR PULSADOR ROJO (1K), tírelo hasta que salte, después vuelva a arrancar el motor.

- Ponga la palanca de control de velocidad (1O) en posición de PARO (1BB).

- Levante la hoja diamantada (2E) apartándola del corte oprimiendo el interruptor inferior de elevar/bajar (1P) de la palanca de control (1O) hacia arriba hasta que la hoja diamantada (2E) se aleje de la superficie.
- Desengrane el interruptor (1V) de embrague de la hoja, si lo hubiera con el embrague.
- Gire el acelerador (1F) del motor a la posición de MARCHA LENTA.
- Cierre la válvula (1T) de agua.
- Deje el motor funcionar en marcha lenta por unos pocos minutos antes de apagarlo.
- PARE el motor poniendo el interruptor de arranque (1H) en la posición "0" (APAGADO).

8 Incidentes durante el corte con sierra

(Vea las figuras 1 y 2)

Si el **MOTOR SE PARA** durante el corte, revise lo siguiente:

- Al motor se le agotó el combustible—Revise el indicador de nivel de combustible (1X).
- La falta de agua le avisa al interruptor de seguridad (1L) que pare el motor. Ponga el interruptor (1L) en "0" (APAGADO) y después arranque el motor nuevamente.
- La velocidad de corte excesivamente alta parará el motor.
- Se oprimió el botón pulsador de parada de emergencia (1K). Desenclave tirando el interruptor basculante hasta que salte.
- El disyuntor de circuito se disparó (1Z). Oprímalo para desenclavarlo si la hoja de diamante (2E) se PARA durante el corte, compruebe:
 - La tensión de la correa impulsora es inadecuada.
 - El interruptor de embrague está en la posición "0" APAGADO.
 - El embrague tiene una falla eléctrica o un fusible quemado.

LA SIERRA DESCENDE DEMASIADO RÁPIDO:

- La velocidad de descenso de la sierra puede ajustarse utilizando la válvula de control de caudal (1U) ubicada en la parte trasera de la sierra. Si la sierra baja muy rápidamente, gire la perilla en la válvula de control de caudal (1U) en SENTIDO HORARIO hasta fijar la velocidad de descenso adecuada.

Si por cualquier motivo el MOTOR o la HOJA SE PARA, levante la hoja completamente fuera del corte, inspeccione minuciosamente la máquina antes de volver a arrancar el motor. Cuando baje la hoja a un corte parcial, alinee exactamente con el corte para evitar dañar la hoja.



Encargue todas las reparaciones a su concesionario autorizado solamente.

9 Ajustes: Corte en línea recta

(Vea las figuras 1 y 4)

Durante el corte, la sierra puede desviarse hacia la derecha de la línea recta trazada en la superficie que se está cortando (si la hoja de diamante (2E) está instalada en el lado derecho). Si esto ocurre, se puede pivotar el eje trasero (4E) de la sierra para compensar la situación.

Sierras con la opción EASYTRACK.

70

- Empuje del interruptor de ajuste del eje (1J) hacia la **IZQUIERDA**. Los ajustes en incrementos cortos hacen cambios grandes.
- Los ajustes se pueden hacer durante el corte o sin estar cortando.
- Confirme visualmente el movimiento y la dirección del eje.

Sierras con ajuste manual del eje

- El eje (4E) se ajusta girando el perno de ajuste M12 (1CC) ubicado en el lado inferior izquierdo del bastidor de la sierra.
- Si la sierra se desvía hacia la **DERECHA** mientras está cortando, gire el perno de ajuste en SENTIDO CONTRAHORARIO.
- Si la sierra se desvía hacia la **IZQUIERDA** mientras está cortando, gire el perno de ajuste en SENTIDO HORARIO.

10 Mantenimiento

(Vea las figuras 1 y 6)



Antes de hacer cualquier trabajo de mantenimiento, SIEMPRE estacione la máquina en una superficie plana con el motor "APAGADO" y el interruptor de arranque (1H) en la posición "0" (APAGADO).

Después de cada uso LIMPIE la máquina.

LUBRICACIÓN:



ACEITE DEL MOTOR: Revise diariamente (6B). Cambie el aceite y filtro de aceite (6H) del motor después de cada 100 HORAS de funcionamiento. Consulte el manual del motor para el tipo de aceite a usar. Generalmente se recomienda usar aceite 15W40 CD, CE. (6B) La capacidad es 8.5 cuartos (8.0 litros) con filtro (6H). Alinee el nivel de aceite con la marca superior en la varilla de medición (6B).

LUBRICAR CADA 100 HORAS:

- Cojinetes (4C) de pivote del eje delantero

LUBRICAR CADA 250 HORAS:

- Sellos y cojinetes (4A) del eje de la hoja, 2 disparos solamente

SISTEMA HIDRÁULICO:

Referirse a la Sección 12 - "Sistema Hidráulico"

CAJA DE ENGRANAJES DEL MOTOR (3-1A, 3-2A):

- Cambie el aceite después de cada 500 horas de funcionamiento. Use lubricante sintético para engranajes SAE 75W90.

NO LLENAR EN EXCESO. Llenar solamente hasta el "punto de comprobación" o saldrá el exceso.

CAJA DE ENGRANAJES DEL MOTOR (3-1A) de una velocidad: capacidad de 32 onzas de EE.UU. (0.946 litros).

CAJA DE ENGRANAJES DEL MOTOR (3-2A) de tres velocidades: capacidad de 60 onzas de EE.UU. (1.77 litros).

- Para evitar la oxidación y el daño por congelación, vacíe el agua de enfriamiento utilizando la válvula de vaciado de agua (3-1C, 3-2C) todos los días.

SISTEMA DE ENFRIAMIENTO:

El líquido de enfriamiento del motor es una mezcla de 50/50 anticongelante/agua.

- Limpie el elemento del filtro de aire del radiador (1DD) cada 50 horas o cuando se requiera. Reemplácelo si está dañado. Siempre mantenga instalado el elemento del filtro de aire del radiador (1DD).
- Revise las mangueras y abrazaderas para ver si están dañadas o flojas. Apriete o reemplace según sea necesario.
- Anualmente, revise la protección anticongelante del refrigerante.
- Lave y limpie el radiador y el sistema de enfriamiento cada 500 horas.
- Mantenga el nivel de refrigerante por lo menos a 1/4 de su capacidad en el frasco de recuperación de refrigerante del radiador (1Y) cuando el motor está frío.

FILTRO DE AIRE:

- Limpie el elemento externo (5A) del filtro de aire cuando aparezca la señal roja en el indicador de restricción (1N). ¡**NO** limpie el elemento de seguridad interno (5A)!

Para cambiar o limpiar el elemento del filtro de aire:

- Para retirar la caja (5A) del filtro de aire, abra las tres (3) mordazas y extraiga la caja.
- Extraiga de la caja el elemento externo del filtro de aire y reemplácelo o límpielo con aire comprimido a baja presión [2.75 barras (40 psi - MÁX)], soplando de adentro hacia fuera. ¡**NO** limpie el elemento del filtro golpéandolo contra el suelo u otros objetos, ya que se dañaría!
- Instale el elemento externo del filtro de aire empujándolo dentro de la caja.
- Instale la caja (5A) del filtro de aire y cierre las tres (3) mordazas de la caja (5A).



Las tres (3) mordazas de la caja del filtro de aire (5A) NO se pueden cerrar si el elemento externo del filtro no está bien instalado.

- Cambie el elemento de seguridad interno una vez por año o si se daña.
- Cambie los filtros o juntas que estén dañados.
- Revise las mangueras de aire y abrazaderas para ver si están dañadas o flojas. Apriete o reemplace según sea necesario.

Ruedas y cubos:

- Revise para ver si hay exceso de desgaste o flojedad. Apriete o reemplace según sea necesario.

FILTRO DE COMBUSTIBLE:

- Cambie el filtro de combustible atornillable (5F) cada 500 horas.

11 Tensión de la correa trapezoidal del eje de la hoja

(Vea las figuras 1 y 3)

Esta sierra está provista de correas trapezoidales de alta tensión. Las correas son tensadas correctamente en la fábrica, pero después de algunas horas de funcionamiento se estiran y aflojan.

Para ajustar la tensión de las correas trapezoidales:

- Ponga el INTERRUPTOR DE ARRANQUE DEL MOTOR (1H) en posición "0" (APAGADO).
- Abra el CAPÓ DEL MOTOR (6E) (Para el procedimiento, véanse las Figuras 3-1 /3-2, elementos 3-1D/3-2D).
- Con una LLAVE PARA EL EJE DE LA HOJA (2J), afloje los pernos de fijación horizontal (3K) en la parte delantera de la máquina.
- Gire cada uno de los dos (2) PERNOS TENSORES VERTICALES (3J) [en la parte delantera de la máquina, debajo de la CAJA DE ENGRANAJES (3-1A, 3-2A)] en SENTIDO HORARIO hasta que las CORREAS TRAPEZOIDALES (3-1M, 3-2M) estén apretadas.
- Cambie las CORREAS TRAPEZOIDALES (3-1M, 3-2M) en juegos completos solamente.
- Para obtener una tensión óptima de la correa trapezoidal, use tiras TensionRite™ Goodyear, N° de pza. 542 19 13-68. Las tiras TensionRite™ se suministran con las correas que se compran en el distribuidor .
- Nunca ajuste la tensión de las CORREAS TRAPEZOIDALES (3-1M, 3-2M) más allá de la tensión original de fábrica. Las correas trapezoidales flojas reducen el rendimiento de la sierra y acortan su vida útil.



Cambie todos los escudos y protectores. Nunca haga funcionar la sierra si no tiene instalados todos los escudos.

12 Sistema hidráulico

(Vea las figuras 1 y 6)

El sistema hidráulico en la sierra se usa para ELEVAR/BAJAR la hoja de diamante (2E) y para propulsar la sierra HACIA ADELANTE y HACIA ATRÁS. El sistema hidráulico consiste en una bomba hidrostática (5N), (2) motores de ruedas hidráulicos (4F), filtro hidráulico (5K), bomba de elevación CC (5H), depósito de aceite hidráulico (5J), válvula de control de caudal (1U) y cilindro de elevación hidráulico (4G).

- El filtro hidráulico (5K) debe cambiarse después de las primeras 50 horas de funcionamiento y de allí en adelante cada 250 horas de funcionamiento.

- Revise el nivel de fluido del depósito hidráulico (5J) periódicamente. Mantenga el nivel de aceite con aceite para motor clase SE, CC, CD API 15W40 SAE. **NO LLENE EN EXCESO.** Revise el nivel de aceite con la sierra sobre suelo nivelado.
- Cambie el fluido hidráulico cada 500 horas de funcionamiento. Llene el depósito hidráulico (5I, 5J) con aproximadamente 2.5 cuartos (2.37 litros) de aceite para motor clase SE, CC, CD API 15W40 SAE. **¡NO LLENE EN EXCESO!** Revise el nivel de aceite con la sierra sobre suelo nivelado.
- La velocidad de descenso de la sierra puede ajustarse utilizando la válvula de control de caudal (1U) ubicada en la parte trasera de la sierra. Si la sierra baja muy rápidamente, gire la perilla en la válvula de control de caudal (1U) en SENTIDO HORARIO hasta fijar la velocidad de descenso adecuada.

13 Consejo importante

(Vea las figuras 2 y 3)

- El filtro hidráulico (5K) debe cambiarse después de las primeras 50 horas de funcionamiento y de allí en adelante cada 250 horas de funcionamiento.
- Apriete las tuercas y pernos flojos regularmente, especialmente después de varias horas de funcionamiento.
- Revise la tensión de la correa trapezoidal (3-1M, 3-2M) regularmente. Vuelva a apretar las correas (3-1M, 3-2M) según sea necesario.
- Retire la hoja de diamante (2E) para guardarla. Guárdela cuidadosamente.
- Revise el rociado de agua de la hoja de diamante (2E) periódicamente.
- Apriete la hoja de diamante (2E) firmemente en el eje (2C) de la hoja.
- Asegúrese de que las caras de contacto de las bridas (2B y 2F), la hoja de diamante (2E) y el eje de la hoja (2I) están limpios.



Guárdela en un lugar seguro lejos del alcance de los niños. Retire todas las llaves y herramientas de ajuste. Guarde la hoja de diamante en un lugar seguro para que no se dañe.

14 Ajuste de la velocidad del motor, eje de la hoja y caja de engranajes

(Vea las figuras 1 y 6)



Podrían ocurrir graves lesiones al operador o a personas en el lugar de trabajo si la velocidad rotacional (n/min) de la HOJA DE DIAMANTE (2E) sobrepasa la velocidad máxima (n/min) marcada en la HOJA DE DIAMANTE (2E).

VELOCIDAD DEL MOTOR:

La velocidad del motor de esta máquina no es necesario cambiarla con respecto a la velocidad fijada en la fábrica. Las RPM máximas del motor deben ser de 3000, sin carga.

VELOCIDAD DEL EJE DE LA HOJA:

Debe comprobarse la velocidad del eje de la hoja de esta máquina antes de instalar la HOJA DE DIAMANTE (2E) en la máquina. No instale nunca una HOJA DE DIAMANTE (2E) si la velocidad rotativa del eje de la hoja (n/min) de la máquina es mayor que la velocidad máxima (n/min) marcada en la HOJA DE DIAMANTE (2E). Puede que haya que cambiar la POLEA DEL EJE DE LA HOJA (3-1N, 3-2N) y la BRIDA DEL EJE DE LA HOJA (2B y 2F) si se cambia el diámetro de la hoja de diamante.

MODELO DE CAJA DE ENGRANAJES DE UNA VELOCIDAD

Cada modelo de sierra, como sale de fábrica, está diseñado para funcionar con una gama especificada de tamaños de hoja dentro del protector de hoja instalado en la máquina. Si llegara a tener que usar un tamaño de hoja fuera de la gama especificada para su modelo, entonces tendría que cambiar la configuración de accionamiento de la sierra. [Por ejemplo: Si cambia de una HOJA DE DIAMANTE (2E) pequeña a una muy larga, en una máquina con una caja de engranajes de una velocidad, entonces deberá cambiar las poleas del eje de la hoja (3-1L), las poleas de la caja de engranajes (3-1N), las BRIDAS DEL EJE DE LA HOJA (2B y 2F) y deberá cambiar el protector de hoja.

Por ejemplo: Para cambiar un accionamiento de un modelo de caja de engranajes de una velocidad de 18 pulgadas (450 mm) a una de 36 pulgadas (900 mm):

1. Cambie la polea de la caja de engranajes del motor 4,75 pulgadas (121 mm) de diámetro a 3,65 pulgadas (93 mm) de diámetro.
2. Cambie la polea del eje de la hoja de 4,12 pulgadas (105 mm) de diámetro a 5,60 pulgadas (142.2 mm) de diámetro.
3. Cambie las bridas de la hoja de 5,00 pulgadas (127 mm) de diámetro a 6 pulgadas (152 mm) de diámetro.
4. Cambie el PROTECTOR DE HOJA (2H) de 18 pulgadas (450 mm) a 36 pulgadas (900 mm).
5. La velocidad del motor no cambia.

Para obtener la información específica, vea las tablas de conversiones de tamaños de la hoja.

MODELO DE CAJA DE ENGRANAJES DE TRES VELOCIDADES (14-26, 18-30, 20-36, 26-42, 30-48):



PRECAUCIÓN: ¡No efectúe nunca un cambio en la caja de engranajes (3-2A) con el motor en marcha! ¡Efectúe solamente un cambio en la caja de engranajes (3-2A) con el motor APAGADO! Se pueden producir daños en la caja de engranajes.

Vea "PALANCA DE CAMBIOS DE LA CAJA DE ENGRANAJES (3-2O)" para obtener detalles sobre la palanca de cambios de operación.

Una máquina equipada en fábrica con una CAJA DE ENGRANAJES DE MOTOR (3-2A) de tres velocidades, aunque está diseñada para reducir al mínimo los ajustes requeridos para efectuar cambios de tamaños de hojas, requerirá algunos ajustes. La máquina está diseñada para operar con una gama especificada de tamaños de hojas dentro del protector de hoja instalado en fábrica. La

información de codificación de colores de la máquina, y la información del manual de operación, muestra tamaños de hojas permisibles para la configuración actual del mando de la máquina. Hay cinco (5) configuraciones de mando de la máquina: a) 14-26 para hojas de 14" a 26" (350 a 650 mm), b) 18-30 para hojas de 18" a 30" (450 a 750 mm), c) 20-36 para hojas de 20" a 36" (500 a 900 mm), d) 26-42 para hojas de 26" a 42" (650 a 1000 mm), e) 30-48 para hojas de 30" a 48" (760 a 1219 mm). Por ejemplo, para cambiar el tamaño de la hoja de una configuración de mando de la máquina 18-30 dentro de esta gama, 18" a 30" (450 a 750 mm), requiere solamente que se mueva la PALANCA DE CAMBIOS DE LA CAJA DE ENGRANAJES (3-2O) a la posición correcta (1, 2 ó 3). Si el tamaño requerido de la hoja está fuera de la gama de configuraciones de mando de la máquina [menor que 18" (450 mm) o mayor que 30" (750 mm) para este ejemplo], entonces se debe cambiar la configuración de mando de la máquina. Esto puede requerir cambios en la PALANCA DE CAMBIOS DE LA CAJA DE ENGRANAJES (3-2O), cambios de las POLEAS DEL EJE DE LA HOJA (3-2L), POLEAS DE LA CAJA DE ENGRANAJES (3-2N) y BRIDAS DEL EJE DE LA HOJA (2B y 2F).

Ejemplo: Para cambiar un modelo de caja de engranajes de tres velocidades de un mando de 20" (500 mm) a un mando de 36" (900 mm), determine primero la configuración del mando de la máquina (14-26, 18-30, 20-36, 26-42 o 30-48). Esto debe corresponder al diámetro de la BRIDA DEL EJE DE LA HOJA (2B y 2F) instalada en la sierra.

Si la configuración de mando de la máquina es 20-36, el diámetro de la BRIDA (2B y 2F) debe ser de 6,00" (152 mm):

- Verifique que estén instaladas poleas de diámetros apropiados (Vea las tablas de Conversión de tamaños de hojas para obtener información específica).
- Efectúe un cambio con la PALANCA DE CAMBIOS DE LA CAJA DE ENGRANAJES (3-2O) de 3 a 1.
- Verifique que la configuración de mando de la máquina y la velocidad del eje de la hoja corresponda con la información del manual de operación y la calcomanía de la gama de la caja de engranajes (504 11 98-09).

Si la configuración de mando de la máquina es 18-30, el diámetro de la BRIDA (2B y 2F) debe ser de 5,00" (127 mm):

- Cambie la POLEA DEL EJE DE LA HOJA de un diámetro de 4,12" (1105 mm) a 4,75" (121 mm).
- Cambie la BRIDA DEL EJE DE LA HOJA de un diámetro de 5,00" (127 mm) a 6,00" (152 mm).
- Efectúe un cambio con la PALANCA DE CAMBIOS DE LA CAJA DE ENGRANAJES (3-2O) de 2 a 1.
- Verifique que la configuración de mando de la máquina y la velocidad del eje de la hoja corresponda con la información de la configuración de mando 20-36 en el manual de operación.
- Instale las calcomanías de la configuración de mando 20-36 (se requieren las calcomanías 504 11 98-09, 542 20 65-49). Vea la página de "Calcomanías y ubicaciones" de este manual para obtener información adicional.

Si la configuración de mando de la máquina es 14-26, el diámetro de la BRIDA (2B y 2F) debe ser de 4,50" (114,3 mm):

- Cambie la POLEA DEL EJE DE LA HOJA de un diámetro de 4,12" (105 mm) a 4,75" (121 mm).
- Cambie la BRIDA DEL EJE DE LA HOJA de un diámetro de 4,50" (114,3 mm) a 6,00" (152 mm).
- Cambie la POLEA DE LA CAJA DE ENGRANAJES DEL MOTOR de un diámetro de 4,75" (121 mm) a 4,12" (105 mm).
- Efectúe un cambio de la PALANCA DE CAMBIOS DE LA CAJA DE ENGRANAJES (3-2O) de 2 a 1.
- Verifique que la configuración de mando de la máquina y la velocidad del eje de la hoja corresponda con la información de configuración de mando 20-36 en el manual de operación.
- Instale las calcomanías de configuración de mando 20-36 (se requieren las calcomanías 504 11 98-09, 542 20 65-49). Vea la página de "Calcomanías y ubicaciones" de este manual para obtener información adicional.

Vea las tablas de Conversión de tamaños de hojas para obtener información específica.



ADVERTENCIA: El operador o las personas del área de trabajo pueden sufrir lesiones graves si la velocidad de giro (n/min) de la HOJA DE DIAMANTE (2E) excede la velocidad máxima (n/min) indicada en la HOJA DE DIAMANTE (2E).



Advertencia: Después de hacer un cambio en la Caja de engranajes, baje la PERILLA DE RETENCIÓN DE LA CAJA DE ENGRANAJES (3-2P) o se podría dañar la CAJA DE ENGRANAJES DEL MOTOR (3-2A) de tres velocidades.

Si parece que es difícil cambiar en la caja de engranajes, puede que un ligero movimiento en el eje de la hoja facilite el movimiento de la PALANCA DE CAMBIO DE LA CAJA DE ENGRANAJES (3-2O) al engranaje apropiado. No haga nunca un cambio en la Caja de engranajes (3-2A) con el motor en marcha!

Se dispone de dos posiciones de Punto Muerto en la CAJA DE ENGRANAJES DEL MOTOR (3-2A) de tres velocidades. Esta caja de engranajes se puede cambiar a punto muerto si tiene que eliminarse la rotación de la hoja mientras el motor está en marcha. Si la máquina está equipada con el EMBRAGUE DE HOJA (1V) optativo, el INTERRUPTOR DEL EMBRAGUE DE LA HOJA (1V) puede moverse a la posición "0" (DESCONECTADA) para eliminar la rotación de la hoja mientras el motor está en marcha.

15 Accesorios

CONJUNTOS DE CONVERSIÓN DE LOS PROTECTORES DE LA HOJA

Use el protector apropiado para el tamaño de hoja de diamante en particular en uso. Los protectores siguientes se encuentran disponibles para estos tamaños de hojas de diamante.

| Protector | Tamaños de hoja |
|-------------------|------------------------------------|
| 60 pulg (1500 mm) | 48 pulg - 60 pulg (1200 - 1500 mm) |
| 48 pulg (1200 mm) | 36 pulg - 48 pulg (1000 - 1200 mm) |
| 42 pulg (1000 mm) | 30 pulg - 42 pulg (750 - 1000 mm) |
| 36 pulg (900 mm) | 24 pulg - 36 pulg (600 - 900 mm) |
| 30 pulg (750 mm) | 18 pulg - 30 pulg (450 - 750 mm) |
| 26 pulg (600 mm) | 14 pulg - 26 pulg (350 - 650 mm) |
| 18 pulg (450 mm) | 14 pulg - 18 pulg (350 - 450 mm) |

Para obtener la información específica, vea las tablas de conversiones de tamaños de la hoja.

CONJUNTOS DE PESOS:

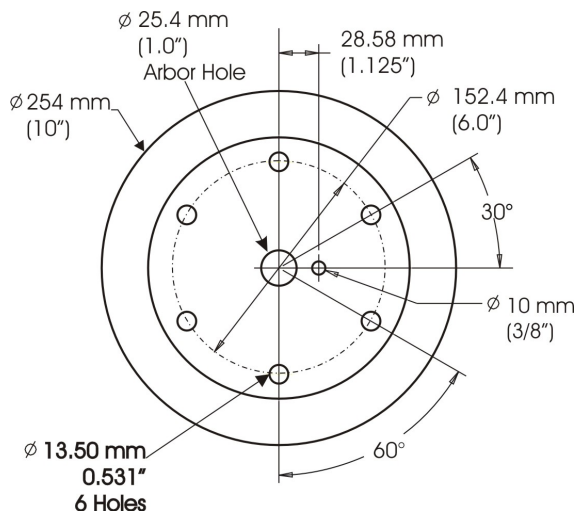
| | |
|---------------------------------------|----------------------------------------------------------------------|
| Estándar en: | 42 pulgadas (1000 mm), 48 pulgadas (1200 mm) y 60 pulgadas (1500 mm) |
| Conjunto 542 19 61-72, pesos traseros | 2 barras 42 pulgadas |
| Conjunto 542 19 80-22, pesos traseros | 3 barras 48 pulgadas |
| Conjunto 542 19 97-57, pesos traseros | 6 barras 60 pulgadas |
| (incluye: pesos laterales) | 5 barras con manillares |

CONJUNTOS OPCIONALES:

| | |
|---------------------------|---------------|
| Conjunto de luces dobles | 542 18 11-17* |
| Conjunto de bomba de agua | 542 19 96-26 |

16 Modelos de diámetro grande

La sierra FS8400 puede configurarse con una capacidad de hoja de diamante de 60" (1500 mm). El accionamiento de 60 pulgadas puede pedirse de fábrica o se puede configurar utilizando el conjunto de conversión 542 19 96-25. Vea los detalles en la tabla de conversión de tamaños de hojas. Se puede llegar a una profundidad de corte de 25 pulgadas. El modelo de diámetro más grande incluye una extensión del bastidor, un protector de hoja de 60 pulgadas y un conjunto de eje de la hoja con bridas de



10 pulgadas de diámetro. Las bridas tienen la configuración siguiente: La configuración del orificio para la hoja debe coincidir. Seis (6) tornillos de cabeza hexagonal de 1/13 x 2.5 pulgadas de largo atraviesan la brida externa a través del núcleo de la hoja y se atornillan en la brida interna, proporcionando la fuerza de ajuste para sujetar la hoja. Use arandelas de seguridad de 1/2 pulgadas con los pernos de ajuste. También, use el tornillo de 5-8-11 x 4.0 pulgadas, con rosca izquierda o derecha, a través del centro de la brida. Husqvarna suministrará hojas con esta configuración de orificio.

La sierra FS8400, cuando está provista de un sistema de accionamiento de 60 pulgadas es muy pesada y el equilibrio de la máquina se afecta enormemente al instalar o retirar una hoja. Para contrapesar los grandes cambios de equilibrio, en la parte trasera izquierda o derecha de la sierra se instala una caja para pesos. Los pesos pueden quitarse o añadirse fácilmente para ajustar el equilibrio de la máquina según las necesidades del operador.

17 Reparaciones

Nosotros hacemos las reparaciones en el tiempo más corto posible y a los precios más económicos. (Vea nuestra dirección y números de teléfono en la última página.) Póngase en contacto con su concesionario autorizado Husqvarna respecto al mantenimiento y reparaciones de la sierra.

18 Piezas de repuesto

Para el suministro rápido de piezas de repuesto y evitar la pérdida de tiempo, es esencial con cada pedido proporcionar los datos que figuran en la placa del fabricante adosada a la máquina y el número (números) de pieza y la descripción de la pieza a ser reemplazada.

Consulte el manual de listas de piezas (542 20 10-32): (Si no tiene un manual de listas de piezas, sírvase llamar GRATIS al 1-800-288-5040 [EEUU] o +1-913-928-1300 [internacional].)

Las instrucciones para el uso y las piezas de repuesto encontradas en este documento son para información solamente y no son requisitos obligatorios. Dado que es norma de la empresa mejorar la calidad de nuestros productos, nos reservamos el derecho de hacer cualquier modificación técnica sin previo aviso.



El fabricante no acepta ninguna responsabilidad causada por el uso o modificaciones inadecuadas.

LISTE DE VÉRIFICATIONS AVANT UTILISATION



Chaque machine a été entièrement testée avant de quitter l'usine. Suivre exactement les instructions pour obtenir une longue durée de service de la machine, en conditions normales d'utilisation.



Avant de faire démarrer la machine, veiller à lire toutes les instructions d'utilisation et à bien connaître l'utilisation de la machine.

MISE EN PLACE DE LA MACHINE :



TOUJOURS garer la machine sur une surface horizontale, avec le moteur À L'ARRÊT et la clé de contact à la position « 0 » (ARRÊT), avant d'effectuer une opération d'entretien. Laisser la machine refroidir !

1. Vérifier l'huile moteur. Remplir jusqu'au repère « plein » (« full ») de la jauge, avec de l'huile 15W40, classe CE ou CD.
2. Brancher les câbles de batterie.

LISTE DE VÉRIFICATIONS TOUTES LES 1 À 2 HEURES D'UTILISATION :



TOUJOURS garer la machine sur une surface horizontale, avec le moteur À L'ARRÊT et la clé de contact à la position « 0 » (ARRÊT), avant d'effectuer une opération d'entretien. Laisser la machine refroidir !

1. Vérifier les colliers de flexible du filtre à air du moteur. Les serrer selon le besoin.
2. Tendre les courroies trapézoïdales d'entraînement du disque. NE PAS trop les tendre !

GUIDE RAPIDE DU CALENDRIER D'ENTRETIEN



TOUJOURS garer la machine sur une surface horizontale, avec le moteur À L'ARRÊT et la clé de contact à la position « 0 » (ARRÊT), avant d'effectuer une opération d'entretien. Laisser la machine refroidir !

À FAIRE CHAQUE JOUR :

1. Vérifier le niveau de l'huile moteur.
2. Vérifier que la protection du disque n'est pas endommagée.
3. Vérifier que les flexibles ne sont pas endommagés et que les colliers sont serrés. Serrer ou remplacer selon le besoin.
4. Vérifier l'indicateur de colmatage du filtre à air. Si l'indicateur est rouge, remplacer le filtre à air principal.
5. Vérifier que toutes les protections sont à leur place et en bon état.

À FAIRE TOUTES LES 50 HEURES :

1. Nettoyer le filtre à air du carter arrière.
2. Inspecter le filtre à air du radiateur et le nettoyer selon le besoin.
3. Vérifier la tension des courroies trapézoïdales d'entraînement du disque. Tendre les deux côtés de manière égale. NE PAS trop les tendre !
4. Lubrifier les roulements de roue avant.
5. Remplacer le filtre du circuit hydraulique (50 premières heures uniquement).

À FAIRE TOUTES LES 100 HEURES :

1. Remplacer l'huile moteur et le filtre à huile.
2. Lubrifier les crapaudines d'essieu avant.
3. Vérifier que les roues ne sont ni usées ni endommagées.
4. Vérifier que les moyeux et roues arrière ne sont pas desserrés.
5. Vérifier les colliers et le flexible du filtre à air du moteur.
6. Vérifier le niveau du fluide du circuit hydraulique.

À FAIRE TOUTES LES 250 HEURES :

1. Remplacer le filtre du circuit hydraulique.
2. Mettre 2 coups de pompe de graisse à chaque extrémité de l'axe du disque.

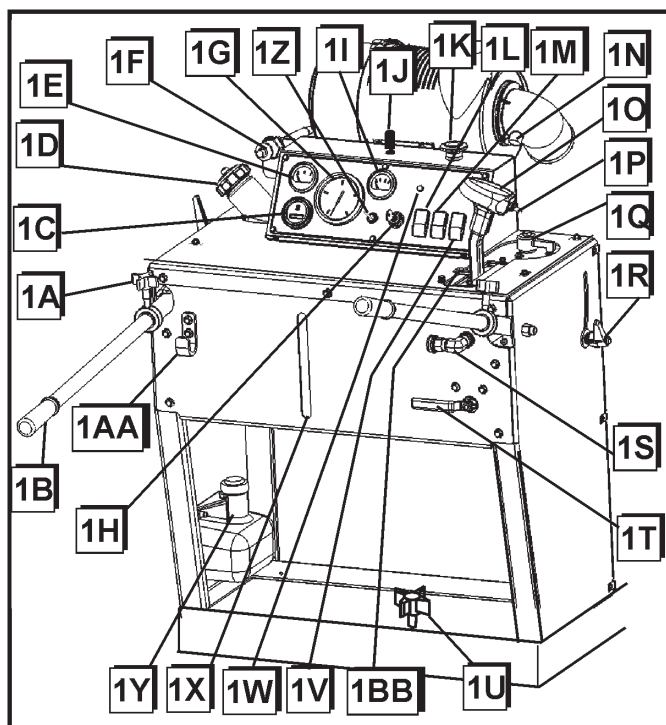
À FAIRE TOUTES LES 500 HEURES :

1. Remplacer le fluide de la boîte de transmission du moteur.
2. Remplacer le fluide du circuit hydraulique.
3. Remplacer le filtre à carburant du moteur (type vissable).

À FAIRE UNE FOIS PAR AN :

1. Remplacer l'élément principal et l'élément de sécurité du filtre à air.

FIGURE 1 :



- 1A. **BOUTON** : Sert à serrer les poignées tenues par l'opérateur.
- 1B. **GUIDON** : L'opérateur le tient.
- 1C. **COMPTEUR HORAIRE** : Enregistre le nombre d'heures de fonctionnement du moteur.
- 1D. **REPLISSAGE DU RÉSERVOIR DE CARBURANT** : Remplir le réservoir de carburant à cet endroit.
- 1E. **THERMOMÈTRE DU LIQUIDE DE REFROIDISSEMENT** : Le liquide de refroidissement est un mélange eau/glycol. Ce thermomètre indique la température du liquide de refroidissement du moteur. La température maximum d'utilisation sans danger est de 105 °C (220 °F).
- 1F. **ACCÉLÉRATEUR DU MOTEUR** : Commande le régime moteur. Pousser le bouton rouge pour déverrouiller. Enfoncer pour diminuer le régime. Tirer pour augmenter le régime. Ou tourner dans le sens des aiguilles d'une montre pour augmenter le régime. Tourner dans le sens inverse des aiguilles d'une montre pour diminuer le régime.
- 1G. **TACHYMÈTRE DU MOTEUR** : Indique le régime et le nombre d'heures de fonctionnement du moteur.
- 1H. **CONTACTEUR DE DÉMARRAGE DU MOTEUR** : Démarrer et arrêter le moteur à l'aide de ce contacteur. Sert aussi à préchauffer le moteur.
- 1I. **VOLTMÈTRE** : Indique la tension du circuit électrique.

- 1J. **COMMUTATEUR DE RÉGLAGE D'ESSIEU** : Commutateur à bascule pour régler l'essieu moteur arrière. Pousser le commutateur à droite pour diriger la scie vers la droite. Le pousser à gauche pour diriger la scie vers la gauche.
- 1K. **INTERRUPTEUR DE PAUME ROUGE** : Pour l'ARRÊT D'URGENCE de la scie. Coupe tous les circuits, sauf l'éclairage ; tirer **VERS L'EXTÉRIEUR** pour réarmer. Ne pas l'utiliser pour l'arrêt normal.
- 1L. **INTERRUPTEUR DE SÉCURITÉ DE L'EAU** : Arrête le moteur en cas d'interruption de l'alimentation en eau du disque. Régler pour activer l'interrupteur.
- 1M. **BUTÉE DE PROFONDEUR DU DISQUE** : Active ou contourne la butée de profondeur pour des entailles répétées à la même profondeur.
- 1N. **INDICATEUR DE COLMATAGE DU FILTRE À AIR** : Faire l'entretien des éléments du filtre à air lorsqu'une marque rouge paraît à l'indicateur. Le réarmer avant de faire démarrer le moteur.
- 1O. **LEVIER DE COMMANDE DE VITESSE** : Commande le sens de marche vers l'avant, vers l'arrière, l'arrêt et la vitesse de la scie.
- 1P. **COMMUTATEUR DE RELEVAGE/ABAISSEMENT** : Situé sur le levier de commande de vitesse. Sert à relever et abaisser la scie. Pousser vers le haut pour relever la scie. Pousser vers le bas pour abaisser la scie.
- 1Q. **INDICATEUR DE PROFONDEUR DU DISQUE** : Affiche la profondeur de sciage. Règle la profondeur de sciage pour la **BUTÉE DE PROFONDEUR DU DISQUE**.
- 1R. **VERROU DE RÉGLAGE DU GUIDON** : Tourner dans le sens des aiguilles d'une montre pour verrouiller le guidon à une position. Tourner dans le sens contraire pour déverrouiller et repositionner le guidon.
- 1S. **ARRIVÉE D'EAU** : Brancher un tuyau flexible de 3/4 po pour l'alimentation en eau douce.
- 1T. **ROBINET D'EAU** : Contrôle le débit d'eau qui refroidit le disque.
- 1U. **BOUTON DE COMMANDE DE LA VITESSE D'ABAISSEMENT DE LA SCIE** : Tourner le bouton dans le sens des aiguilles d'une montre pour réduire la vitesse d'abaissement. Tourner le bouton dans le sens contraire pour augmenter la vitesse d'abaissement.
- 1V. **COMMUTATEUR D'EMBRAYAGE DU DISQUE** : Engage l'entraînement du disque. Le voyant indique que l'embrayage est engagé. N'engager l'embrayage que lorsque le régime moteur est 1 200 tr/min ou inférieur.

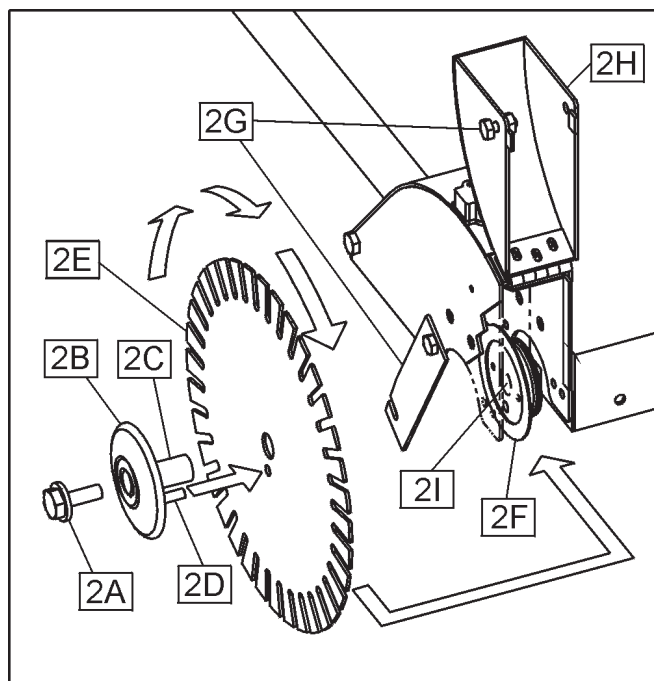
- 1W. VOYANT DE PRESSION D'HUILE :** Le voyant s'allume lorsque la pression de l'huile moteur est basse et lorsque la clé de contact est sur marche alors que le moteur est arrêté.
- 1X. JAUGE VISUELLE DU NIVEAU DE CARBURANT :** Indique le niveau de carburant dans le réservoir.
- 1Y. BOUTEILLE DE TROP-PLEIN DU LIQUIDE DE REFROIDISSEMENT DU RADIATEUR :** Recueille le liquide de refroidissement du radiateur quand le moteur est chaud. Elle doit être 1/4 pleine quand le moteur est arrêté et refroidi.
- 1Z. SÉLECTEUR DU TACHYMÈTRE :** Peut être réglé de manière à indiquer soit le régime du moteur (tr/min), soit la vitesse de l'axe de disque (tr/min). Régler en position supérieure pour indiquer le régime du moteur, et en position inférieure pour indiquer la vitesse de l'axe de disque. En standard sur les machines dotées d'une boîte de transmission à trois vitesses, en option sur toutes les autres machines.



AVERTISSEMENT : Noter la position du SÉLECTEUR DU TACHYMÈTRE (1Z) ! Le tachymètre peut indiquer soit la vitesse du disque soit le régime du moteur. L'opérateur et les personnes se trouvant dans la zone de travail risquent de subir de graves blessures si la vitesse de rotation (tr/min) du DISQUE EN DIAMANT (2E) dépasse la vitesse maximum (tr/min) marquée sur le DISQUE EN DIAMANT (2E).

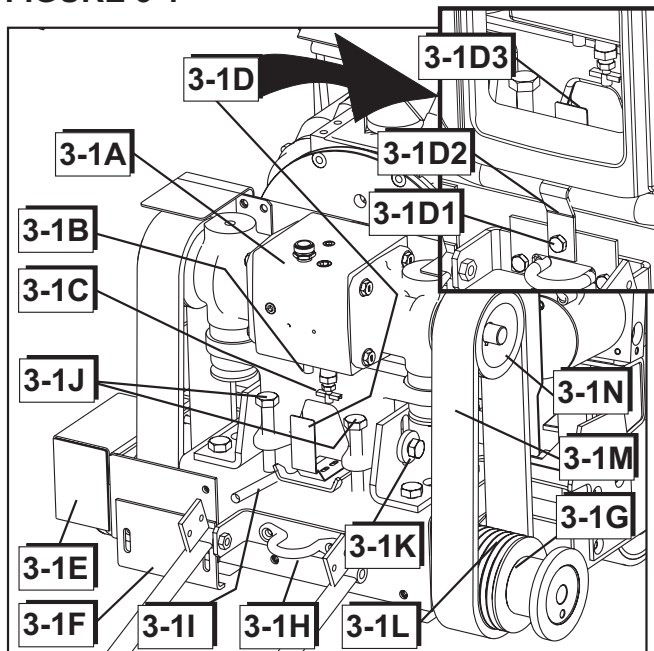
- 1AA. SUPPORT DE FLEXIBLE :** Soutient le flexible d'alimentation en eau.
- 1BB. POSITION STOP :** La scie arrête son déplacement lorsque le levier de commande de vitesse (1O) est dans cette position. Le moteur ne peut démarrer que si le levier de commande de vitesse (1O) est à la position STOP.
- 1CC. RÉGLAGE MANUEL DE L'ESSIEU :** Tourner le boulon pour régler l'essieu moteur arrière. Une rotation dans le sens des aiguilles d'une montre dirige la scie vers la droite. Une rotation vers la gauche dirige la scie vers la gauche.
- 1DD. ÉLÉMENT DE FILTRE À AIR DU RADIATEUR**

FIGURE 2



- 2A. BOULON D'AXE DU DISQUE :** Sert à serrer le disque en diamant entre le flasque intérieur et le flasque extérieur. Le côté droit de la scie a un filetage à gauche. Le côté gauche de la scie a un filetage à droite.
- 2B. FLASQUE EXTÉRIEUR :** Sert à maintenir le disque en diamant à sa position.
- 2C. MANDRIN DU FLASQUE EXTÉRIEUR :** Sert à soutenir le disque en diamant.
- 2D. GOUPILLE DE VERROUILLAGE :** Sert à empêcher le disque en diamant de tourner sur l'axe durant le fonctionnement.
- 2E. DISQUE EN DIAMANT :** C'est l'outil de sciage des surfaces en béton et en asphalte.
- 2F. FLASQUE INTÉRIEUR :** Support intérieur qui sert à maintenir le disque en diamant à sa position.
- 2G. LOQUET DE NEZ DE PROTECTION DE DISQUE :** Sert à verrouiller la partie avant de la protection du disque en position abaissée.
- 2H. AVANT DE LA PROTECTION DE DISQUE :** La partie avant de la protection du disque.
- 2I. AXE DU DISQUE :** Soutient le disque et ses flasques.

FIGURE 3-1



3-1A. BOÎTE DE TRANSMISSION DU MOTEUR : Modèle à une seule vitesse.

3-1B. RACCORD D'EAU : Fait circuler l'eau douce dans la boîte de transmission pour la refroidir. L'eau s'écoule ensuite vers la protection du disque.

3-1C. ROBINET DE VIDANGE D'EAU : Pour vidanger l'eau de la boîte de transmission : tourner dans le sens des aiguilles d'une montre pour ouvrir, et dans le sens inverse des aiguilles d'une montre pour fermer. Vidanger chaque jour pour éviter la corrosion et les dégâts dus au gel.

3-1D. LOQUET DE CAPOT : Un loquet maintient le capot en position basse. Sur les modèles US : 1. Pousser le LOQUET DE CAPOT (3-1D3/3-2D3) vers l'intérieur. 2. Relever le capot jusqu'à ce que le SUPPORT DE CAPOT (6H) soit engagé et soutienne le capot. Sur les modèles CE : 1. Utiliser un outil pour desserrer la vis de fixation (3-1D1/3-2D1). 2. Faire pivoter le loquet tube (3-1D2/3-2D2) vers le bas. 3. Pousser le LOQUET DE CAPOT (3-1D3/3-2D3) vers l'intérieur. 4. Relever le capot jusqu'à ce que le SUPPORT DE CAPOT (6H) soit engagé et soutienne le capot.

3-1E. COUVRE-FLASQUE : Protège de tout contact avec le FLASQUE durant le fonctionnement de la machine. Toujours les maintenir à leur place !

3-1F. ÉCRAN PROTECTEUR DE COURROIE : Les maintenir à leur place.

3-1G. ENSEMBLE DE TUBE D'AXE DE DISQUE : Ensemble étanche contenant l'axe du disque, les roulements et les joints d'étanchéité d'axe.

3-1H. PATTES D'ARRIMAGE : Servent à arrimer la scie lors de son transport sur un véhicule. Ne pas s'en servir pour lever la scie.

3-1I. ROBINET DE VIDANGE D'HUILE MOTEUR : Permet de vidanger l'huile moteur sans outils.

3-1J. BOULONS DE TENSION DE COURROIE :

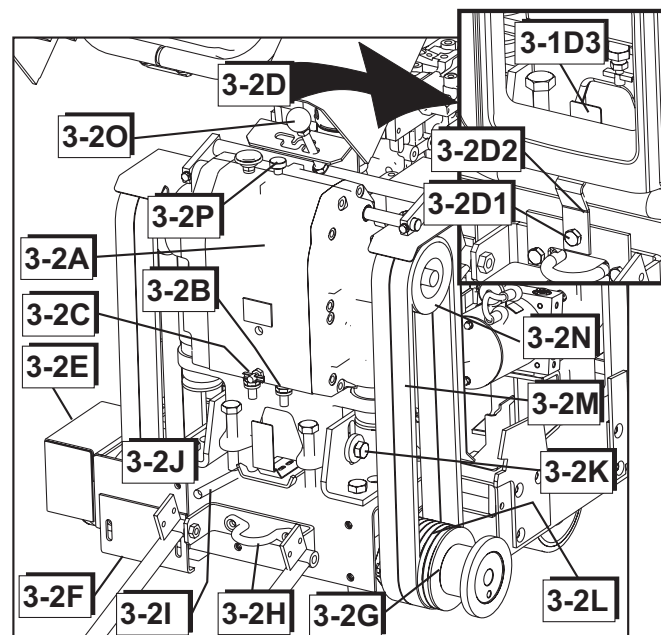
3-1K. BOULONS DE SERRAGE HORIZONTAL :

3-1L. POULIE D'AXE DU DISQUE :

3-1M. COURROIES TRAPÉZOÏDALES : Jeu de 4.

3-1N. POULIE DE BOÎTE DE TRANSMISSION :

FIGURE 3-2



3-2A. BOÎTE DE TRANSMISSION DU MOTEUR : Modèle à trois vitesses.

3-2B. RACCORD D'EAU : Fait circuler l'eau douce dans la boîte de transmission pour la refroidir. L'eau s'écoule ensuite vers la protection du disque.

3-2C. ROBINET DE VIDANGE D'EAU : Pour vidanger l'eau de la boîte de transmission : tourner dans le sens des aiguilles d'une montre pour ouvrir et dans le sens inverse des aiguilles d'une montre pour fermer. Vidanger chaque jour pour éviter la corrosion et les dégâts dus au gel.

3-2D. LOQUET DE CAPOT : Un loquet maintient le capot en position basse. Sur les modèles US : 1. Pousser le LOQUET DE CAPOT (3-1D3/3-2D3) vers l'intérieur. 2. Relever le capot jusqu'à ce que le SUPPORT DE CAPOT (6H) soit engagé et soutienne le capot. Sur les modèles CE : 1. Utiliser un outil pour desserrer la vis de fixation (3-1D1/3-2D1). 2. Faire pivoter le loquet tube (3-1D2/3-2D2) vers le bas. 3. Pousser le LOQUET DE CAPOT (3-1D3/3-2D3) vers l'intérieur. 4. Relever le capot jusqu'à ce que le SUPPORT DE CAPOT (6H) soit engagé et soutienne le capot.

3-2E. COUVRE-FLASQUE : Protège de tout contact avec le FLASQUE durant le fonctionnement de la machine. Toujours les maintenir à leur place !

3-2F. ÉCRAN PROTECTEUR DE COURROIE : Les maintenir à leur place.

3-2G. ENSEMBLE DE TUBE D'AXE DE DISQUE : Ensemble étanche contenant l'axe du disque, les roulements et les joints d'étanchéité d'axe.

- 3-2H. PATTES D'ARRIMAGE :** Servent à arrimer la scie lors de son transport sur un véhicule. Ne pas s'en servir pour lever la scie.
- 3-2I. ROBINET DE VIDANGE D'HUILE MOTEUR :** Permet de vidanger l'huile moteur sans outils.
- 3-2J. BOULONS DE TENSION DE COURROIE :**
- 3-2K. BOULONS DE SERRAGE HORIZONTAL :**
- 3-2L. POULIE D'AXE DU DISQUE :**
- 3-2M. COURROIES TRAPÉZOÏDALES :** Jeu de 4.
- 3-2N. POULIE DE BOÎTE DE TRANSMISSION :**

3-2O. LEVIER DE VITESSE DE LA BOÎTE DE TRANSMISSION : Sert à changer le régime de sortie de la BOÎTE DE TRANSMISSION DU MOTEUR (3-2A). Trois vitesses et deux positions au point mort sont offertes. Les positions (1, 2 et 3) du LEVIER DE VITESSE DE LA BOÎTE DE TRANSMISSION sont codées couleur afin de correspondre, entre autres, à l'autocollant « Plage de la boîte de transmission / vitesse du disque ». Fonctionnement du LEVIER DE VITESSE DE LA BOÎTE DE TRANSMISSION :

- 1) Mettre la CLÉ DE CONTACT (1H) sur la position OFF (« 0 » / ARRÊT). Toujours mettre l'interrupteur du moteur sur « OFF » avant de changer de vitesse !
- 2) Vérifier que la taille des poulies, des flasques et la vitesse de l'axe de disque correspondent à la taille du disque qui va être monté.

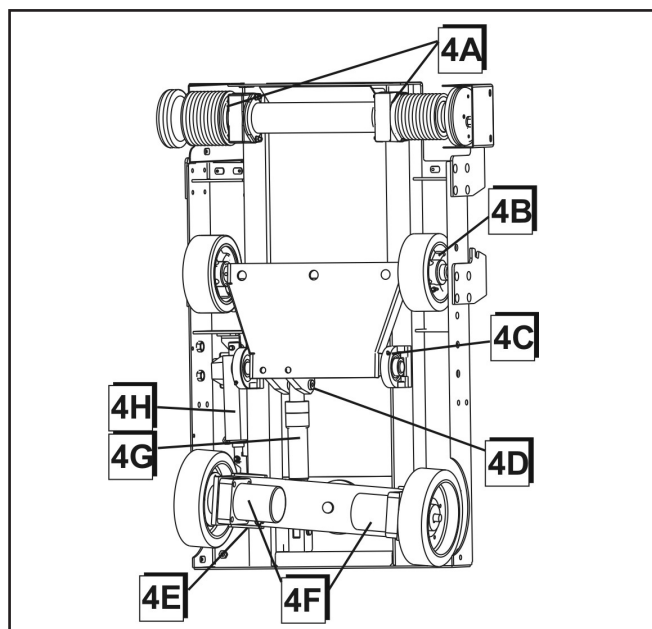


AVERTISSEMENT : L'opérateur et les personnes se trouvant dans la zone de travail risquent de subir de graves blessures si la vitesse de rotation (tr/min) du DISQUE EN DIAMANT (2E) dépasse la vitesse maximum (tr/min) marquée sur le DISQUE EN DIAMANT (2E).

- 3) Soulever le BOUTON DE CRAN DE LA BOÎTE DE TRANSMISSION (3-2P) et le tourner pour le maintenir en position « OUVERTE » (OPEN).
- 4) Amener le LEVIER DE VITESSE DE LA BOÎTE DE TRANSMISSION (3-2O) à la vitesse requise. Un léger mouvement de « va-et-vient » de l'axe de sortie (ou de l'AXE DE DISQUE) de la boîte de transmission peut faciliter le changement de vitesse.
- 5) Tourner et abaisser le BOUTON DE CRAN DE LA BOÎTE DE TRANSMISSION (3-2P) et le ramener à sa position d'origine « VERROUILLÉE » (LOCKED).

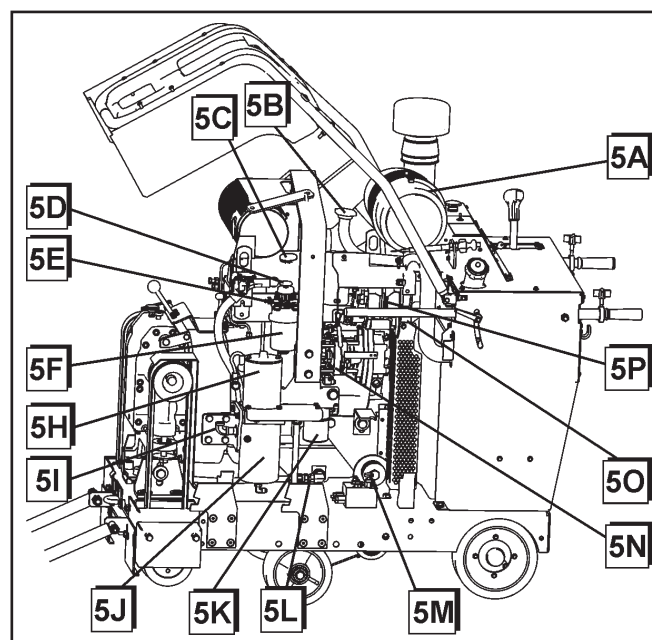
3-2P. BOUTON DE CRAN DE LA BOÎTE DE TRANSMISSION : Verrouille le LEVIER DE VITESSE DE LA BOÎTE DE TRANSMISSION (3-2O). Pour consulter son fonctionnement, voir LEVIER DE VITESSE DE LA BOÎTE DE TRANSMISSION (3-2O).

FIGURE 4



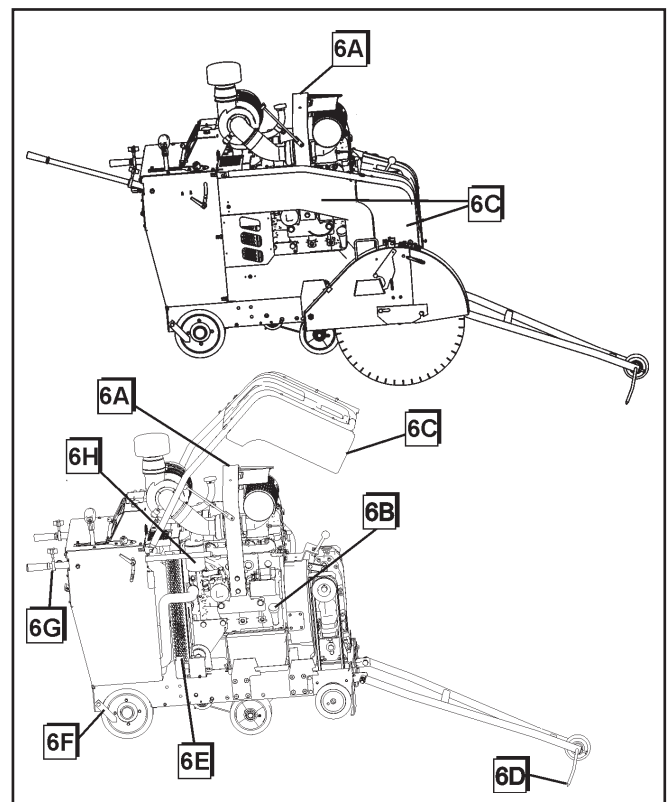
- 4A. JOINTS D'ÉTANCHÉITÉ DE ROULEMENT D'AXE DU DISQUE**
- 4B. ROULEMENTS DE ROUE AVANT**
- 4C. CRAPAUDINES D'ESSIEU AVANT**
- 4D. AXE DE PIVOTEMENT DU VÉRIN HYDRAULIQUE**
- 4E. ESSIEU ARRIÈRE**
- 4F. MOTEUR DE ROUE HYDRAULIQUE**
- 4G. VÉRIN DE RELEVAGE/ABAISSEMENT**
- 4H. ACTIONNEUR LINÉAIRE**

FIGURE 5



- 5A. ENSEMBLE DU FILTRE À AIR :** Comprend
 a) Boîtier
 b) Couvercle
 c) Élément extérieur principal : Le nettoyer ou le remplacer quand l'indicateur de colmatage fait apparaître l'avertissement ROUGE.
 d) Élément intérieur de sécurité : NE PAS NETTOYER cet élément filtrant. Le remplacer 1 fois par an ou s'il se détériore.
- 5B. REMPLISSAGE DU LIQUIDE DE REFROIDISSEMENT DU RADIATEUR :** Remplir le radiateur à cet endroit. Remplacer le bouchon s'il est détérioré.
- 5C. REMPLISSAGE D'HUILE MOTEUR :** L'un de deux points de remplissage.
- 5D. POMPE D'AMORÇAGE MANUEL DU CARBURANT :** Pousser pour amorcer les conduites de carburant afin de faciliter le démarrage initial ou selon le besoin.
- 5E. ROBINET DE PURGE DU CARBURANT :** L'ouvrir pour purger l'air des conduites de carburant.
- 5F. FILTRE À CARBURANT-SÉPARATEUR D'EAU :** Consulter le manuel du moteur John Deere.
- 5G. ---**
- 5H. POMPE DE RELEVAGE C.C. :** Relève et abaisse la scie.
- 5I. REMPLISSAGE DU RÉSERVOIR HYDRAULIQUE :** Remplir et vérifier le niveau du fluide hydraulique ici.
- 5J. RÉSERVOIR HYDRAULIQUE :** 1,42l (1,5 quart U.S.)
- 5K. FILTRE À FLUIDE HYDRAULIQUE :** Filtre le fluide du circuit hydraulique.
- 5L. FLEXIBLE DE VIDANGE D'HUILE MOTEUR :** Se branche au robinet de vidange d'huile 3l. Sert à vidanger l'huile moteur.
- 5M. ROBINET DE DÉRIVATION DE LA TRANSMISSION :** Tourner dans le sens contraire des aiguilles d'une montre pour ouvrir. Tourner dans le sens des aiguilles d'une montre pour fermer. Ouvrir ce robinet pour pousser la scie à béton.
- 5N. POMPE DE TRANSMISSION HYDROSTATIQUE**
- 5O. COURROIE D'ALTERNATEUR/POMPE À EAU :** À tension automatique. Consulter le concessionnaire John Deere pour les remplacements.
- 5P. ALTERNATEUR :** Consulter le concessionnaire John Deere pour les remplacements.

FIGURE 6



- 6A. ANSE DE LEVAGE :** La scie peut être soulevée par ce point.
- 6B. VÉRIFICATION DU NIVEAU D'HUILE :** La jauge indique le niveau d'huile. C'est aussi un lieu de remplissage d'huile.
- 6C. PROTECTIONS ET ÉCRANS DE COURROIE :** Protègent le moteur, les courroies, les entraînements et le ventilateur de refroidissement.
- 6D. GUIDE AVANT :** Sert à repérer la trajectoire du disque en diamant sur la ligne de sciage.



**NE PAS FAIRE FONCTIONNER LE MOTEUR
LORSQUE LES ÉCRANS SONT RETIRÉS !**

- 6E. ÉCRANS DE VENTILATEUR :** Protègent le moteur, le ventilateur de refroidissement, les entraînements de courroie et les poulies.
- 6F. GUIDE ARRIÈRE :** Sert à repérer la trajectoire du disque en diamant sur la ligne de sciage.
- 6G. GUIDON :** Sert à manœuvrer la scie. Ne pas s'en servir pour lever la scie.
- 6H. FILTRE À HUILE MOTEUR :** L'élément du filtre à huile doit être changé lors du changement de l'huile. (100 heures)



OBLIGATOIRE



INDICATION
INFORMATION
INSTRUCTION



AVERTISSEMENT



INTERDICTION

Ces signes donnent des
conseils pour la sécurité.

Chaque machine a été entièrement testée avant de quitter l'usine



Suivre exactement les instructions pour obtenir une longue durée de service de la machine, en conditions normales d'utilisation.

1. Utilisations

Utilisation : Sciage à l'eau de béton et d'asphalte anciens et récents. Sciage à sec uniquement avec l'autorisation du fabricant du disque pour une application spécifique.

Outils : Disques en diamant — refroidis à l'eau. Ø : 14 po, 18 po, 20 po, 24 po, 26 po, 30 po, 36 po, 42 po, 48 et 60 po avec mandrin Ø – 1 po.
(Pour plus d'informations, contacter le fournisseur Husqvarna).

Profondeurs d'entaille (maximum) :

| Disque | Profondeur | Disque | Profondeur |
|--------|------------|----------|------------|
| 14 po | 4.5 po | 350 mm | 110 mm |
| 18 po | 6.5 po | 450 mm | 160 mm |
| 20 po | 7.5 po | 500 mm | 175 mm |
| 24 po | 9.5 po | 600 mm | 225 mm |
| 26 po | 10.5 po | 650 mm | 260 mm |
| 30 po | 12.5 po | 750 mm | 310 mm |
| 36 po | 15.0 po | 900 mm | 375 mm |
| 42 po | 17.5 po | 1 000 mm | 410 mm |
| 48 po | 20.0 po | 1 200 mm | 500 mm |
| 60 po | 25.0 po | 1 500 mm | 620 mm |



Avant de faire démarrer la machine, veiller à lire tout ce manuel et à bien connaître l'utilisation de la machine.



La zone de travail doit être complètement dégagée, bien éclairée et tous les obstacles à la sécurité doivent avoir été retirés.



L'opérateur doit porter des vêtements protecteurs appropriés au travail à effectuer.



Toute personne qui n'est pas directement concernée par le travail doit s'éloigner.



Utiliser uniquement des disques marqués avec une vitesse maximale de fonctionnement supérieure à la vitesse de l'axe du disque.

2. Déplacement de la machine

(Voir les figures 1, 2 et 5)

Régler les poignées à la longueur souhaitée :

- Desserrer le bouton (1A) ; tirer le guidon (1B) vers l'intérieur ou l'extérieur à la longueur souhaitée puis resserrer le bouton (1A). Pour régler la hauteur du guidon, tourner le verrou de réglage (1R) du guidon dans le sens contraire des aiguilles d'une montre pour déverrouiller. Régler le guidon (1B) à la hauteur souhaitée. Tourner le verrou de réglage (1R) du guidon dans le sens des aiguilles d'une montre pour verrouiller le guidon à sa place.

Déplacement de la scie avec le moteur arrêté :

- Tourner le contacteur de démarrage du moteur (1H) à la position "1" (MARCHÉ).
- Lever la scie en appuyant vers le haut sur le commutateur à bascule (1P) du levier de commande de vitesse (1O) jusqu'à ce que le disque en diamant (2E) (s'il est installé) soit au-dessus du sol.
- Mettre le levier de commande de vitesse (1O) à la position STOP (1BB).
- Tourner le robinet de dérivation de la transmission (5M) dans le sens contraire des aiguilles d'une montre, jusqu'à la position du haut (POINT MORT).
- La scie peut maintenant être déplacée en se tenant derrière et en poussant [tout en maintenant le guidon (1B)].



NE PAS essayer de pousser la scie quand elle est au POINT MORT sur une pente (ou un talus). L'opérateur pourrait perdre le contrôle de la scie, se blesser et blesser d'autres personnes se trouvant à proximité.

Déplacement de la scie avec le moteur en marche :

- Lever la scie en appuyant vers le haut sur le commutateur à bascule (1P) du levier de commande de vitesse (1O) jusqu'à ce que le disque en diamant (2E) (s'il est installé) soit au-dessus du sol.
- Mettre l'interrupteur de sécurité de l'eau (1L) à la position "0" (ARRÊT).
- Le levier de commande de vitesse (1O) doit être à la position STOP (1BB) pour que la scie puisse démarrer. Le moteur NE PEUT démarrer QUE si le levier de commande de vitesse (1O) est à la position STOP (1BB).
- Vérifier que le robinet de dérivation de la transmission (5M) est tourné dans le sens des aiguilles d'une montre (EN BAS), à la position fermée. **NE PAS** faire démarrer le moteur si le robinet (5M) est à la position Point mort (OUVERT).
- Tourner l'accélérateur du moteur (1F) à un réglage de bas régime.
- Régler le commutateur d'embrayage du disque (s'il est installé) (1V) sur "0" (ARRÊT).
- Par temps froid (en dessous de 0 °C [32 °F]), appuyer sur le contacteur de démarrage du moteur (1H) pendant 15 secondes. Ceci chauffe les bougies de préchauffage pour le démarrage par temps froid.



• Tourner le contacteur de démarrage du moteur (1H) à la position "2" (**DÉMARRAGE**) jusqu'à ce que le position de **MARCHE**. Si le moteur ne démarre pas, refaire ces opérations.



• Pousser le levier de commande de vitesse (1O) vers l'avant pour le mouvement de la scie en **MARCHE AVANT**, ou le pousser vers l'arrière pour le mouvement de la scie en **MARCHE ARRIÈRE**. Plus on pousse le levier, plus la vitesse augmente.



NE PAS OUVRIR le robinet de dérivation (5M) au point mort lorsque la scie est stationnée sur une pente (ou un talus), car l'opérateur perdrait le contrôle, entraînant des risques de blessures ou de dégâts

3 Transport (disque retiré)

(Voir les figures 1, 2 et 5)



Arrêter le moteur. Mettre le levier de commande de vitesse (1O) à la position STOP (1BB). Retirer le disque en diamant (2E) avant le transport.

Pour faire monter ou descendre la scie sur des rampes avec le moteur en marche, faire extrêmement attention.

- Pour **DESCENDRE** une rampe, conduire la scie **EN MARCHE AVANT** lentement.
- Pour **MONTRE** une rampe, conduire la scie **EN MARCHE ARRIÈRE** lentement.



Pour des rampes très inclinées, toujours utiliser un treuil. Ne jamais se tenir en dessous de la machine.

Levage de la scie. La scie ne doit être levée que par l'anse de levage installée en usine (6A).

Transport de la machine sur un véhicule :

- Mettre le contacteur de démarrage du moteur (1H) à la position d'**ARRÊT**.
- Mettre le levier de commande de vitesse (1O) à la position **STOP (1BB)**.
- Pousser le guidon (1B) vers l'intérieur et serrer les boutons (1A).



Caler la scie à sa place et l'immobiliser à l'aide des PATTES D'ARRIMAGE installées en usine (3H), à l'avant et à l'arrière, pour empêcher tout mouvement durant le transport.

4 À vérifier avant de démarrer



Considérer les conditions de travail du point de vue de la santé et de la sécurité.

- **Carburant** (Vérifier le manuel d'entretien du moteur). Utiliser du carburant diesel n° 2 pour les conditions normales.

- Vérifier que le niveau d'huile moteur est correct. Étant donné que le moteur fonctionne souvent en position inclinée, vérifier le niveau d'huile (avec le moteur horizontal) fréquemment pour s'assurer qu'il ne descend jamais en dessous du repère inférieur de la jauge. Il est recommandé d'utiliser de l'huile moteur 15W40 CD ou CE. (6B)
- Pour le démarrage, se reporter au manuel du moteur. Consulter le manuel John Deere OMRG34851.

5 Mise en place du disque

(Voir les figures 1 et 2)

- Mettre le contacteur de démarrage du moteur (1H) à la position « 1 ».
- **Lever la machine à une position haute en utilisant le commutateur de relevage/abaissement (1P) situé sur le levier de commande de vitesse (1O).**
- **Mettre le contacteur de démarrage du moteur (1H) à la position d'ARRÊT « 0 ».**
- **Desserrer le boulon sur le loquet de protection (2G) du disque.**
- **Relever la partie avant de la protection (2H) du disque.**
- **Desserrer le boulon (2A) de l'axe du disque et retirer le flasque extérieur (2B).**
- Poser le disque en diamant (2E) sur le mandrin (2C) du flasque extérieur.
- Installer le flasque extérieur (2B) dans l'axe du disque (2I), en veillant à ce que la goupille de verrouillage (2D) passe à travers le disque en diamant (2E) et dans le flasque intérieur (2F).



Noter le sens de rotation du disque. Le sens de rotation est indiqué par une flèche sur le DISQUE EN DIAMANT (2E) et sur la PROTECTION DU DISQUE (2H). Vérifier que les surfaces de contact du DISQUE EN DIAMANT (2E), des FLASQUES INTÉRIEUR ET EXTÉRIEUR (2B & 2F) et du MANDRIN DU DISQUE (2C) sont propres.

- Tourner le flasque extérieur (2B) et le disque en diamant (2E) dans le sens opposé à celui de la rotation du disque pour éliminer le jeu.
- Poser et serrer le boulon (2A) d'axe du disque en utilisant la clé d'axe du disque, tout en maintenant fermement le disque en diamant (2E).
- Abaisser la partie avant de la protection de disque (2H) et serrer le boulon (2G) sur le loquet (2G) de la protection de disque.



Le boulon d'axe de disque (2A) du côté droit a un filetage à gauche. Le boulon d'axe de disque (2A) du côté gauche a un filetage à droite.



Les protections de disque amovibles sont fournies avec un loquet de sécurité qui s'engage dans la bride de support et un boulon qui retient l'arrière de la protection.



Ne pas utiliser la scie si le loquet n'est pas engagé et si le boulon n'est pas en place. Inspecter fréquemment les protections de disque et les loquets. Ne pas utiliser la scie s'ils sont endommagés.

Pour retirer une PROTECTION AMOVIBLE :

- Retirer le boulon de retenue arrière avec la clé d'axe de disque.
- Glisser la clé d'axe de disque entre la protection et la protection de courroie sur le levier du loquet. Lever le levier pour déverrouiller et lever la protection pour la sortir de la bride.

Pour installer une PROTECTION AMOVIBLE :

- Abaisser la protection sur la bride jusqu'à ce que le loquet s'engage.
- Poser le boulon dans la partie arrière de la protection et le serrer à l'aide de la clé d'axe de disque.

6 Démarrage de la scie

(Voir les figures 1, 2 et 5)



Toujours faire extrêmement attention et observer les opérations de préparation de la machine avant de la mettre en marche.



Retirer toutes les clés et tous les outils se trouvant au sol et sur la machine.



Toujours laisser à leur place les protections du disque, des courroies et du ventilateur.

- Observer toutes les instructions d'utilisation et les avertissements de ce manuel et de la machine.
- Fermer le robinet d'eau (1T).
- Marquer la surface à entailler en traçant une ligne là où le sciage doit être fait.
- Tirer le guidon (1B) vers l'extérieur, à la longueur souhaitée et serrer les boutons (1A).
- Abaisser le guide avant (6D) puis aligner le guide avant (6D), le guide arrière (6F) et le disque en diamant (2E) sur la ligne tracée au sol.
- Pour faire démarrer la scie en l'absence de pression d'eau, mettre l'interrupteur de sécurité de l'eau (1L) sur "0" (**ARRÊT**).
- Mettre le levier de commande de vitesse (1O) à la position STOP (1BB). Le moteur de la scie ne peut démarrer que si le levier de commande de vitesse (1O) est à la position STOP (1BB). Vérifier que le robinet de dérivation de la transmission (5M) est fermé à la position **basse**.
- Régler le commutateur d'embrayage du disque (s'il est installé) (1V) sur "0" (**ARRÊT**).
- Faire démarrer le moteur en utilisant le contacteur de démarrage du moteur (1H). Suivre la procédure décrite dans le manuel du moteur.
Par temps froid, préchauffer les bougies de préchauffage du moteur en maintenant le contacteur de démarrage du moteur (1H) pendant 15 secondes.
- Laisser le moteur chauffer quelques minutes avec l'accélérateur du moteur (1F) à bas régime.
- Une fois prêt, ouvrir le robinet d'eau (1T).
- Mettre l'interrupteur de sécurité de l'eau (1L) sur "1" (**MARCHE**).



Vérifier que l'alimentation en eau est adéquate. (10 à 20 litres/min) (2,5 à 5,0 gallons US/min) Un débit d'eau insuffisant provoquera des dommages aux disques en diamant.

- Tirer l'accélérateur (1F) pour régler le régime moteur à 3 000 tr/min.

Consulter le tableau pour les vitesses d'axe de disque et régimes moteur appropriés aux diverses tailles de disque.

- Faire avancer ou reculer la scie lentement en poussant ou en tirant le levier de commande de vitesse (1O). Déplacer la scie lentement pour éviter de faire caler le disque. S'assurer que le guide avant (6D), le guide arrière (6F) et le disque en diamant (2E) restent sur la ligne.
- Régler le commutateur d'embrayage du disque (1V) (s'il est installé) sur "1" (**MARCHE**) pour embrayer le disque SEULEMENT AU RALENTI DU MOTEUR !
- Abaisser la scie en appuyant vers le bas sur le commutateur de relevage/abaissement (1P) du levier de commande de vitesse (1O) jusqu'à ce que le disque en diamant (2E) soit à la profondeur de sciage souhaitée (Voir « Information sur la profondeur de sciage du disque »).



Vérifier que le débit d'eau est abondant pour le sciage à l'eau.

Information sur la profondeur de sciage du disque :

Cette scie possède un INDICATEUR DE PROFONDEUR DU DISQUE (1Q) doté de deux plages de chiffres. Les plages de chiffres orangés et blancs servent à deux fins distinctes :

- 1) La plage de chiffres relative à la profondeur (Depth), indiquée par la couleur orange, représente la profondeur actuelle de sciage du DISQUE EN DIAMANT (2E). À mesure que la scie est abaissée, l'aiguille de l'INDICATEUR DE PROFONDEUR DU DISQUE (1Q) balaie ces chiffres selon un ordre croissant.
- 2) La plage de chiffres « SMD » (Set Maximum Depth/ Réglage de la profondeur de sciage maximum), indiquée par la couleur blanche, représente la profondeur restant à entailler par le DISQUE EN DIAMANT (2E). La profondeur de sciage maximum souhaitée est prédéfinie à l'aide de l'INDICATEUR DE PROFONDEUR DU DISQUE (1Q). Il peut s'utiliser avec ou sans l'INTERRUPTEUR DE BUTÉE DE PROFONDEUR DU DISQUE (1M). À mesure que la scie est abaissée, l'aiguille de l'INDICATEUR DE PROFONDEUR DU DISQUE (1Q) balaie les chiffres de la plage blanche selon un ordre décroissant, indiquant une profondeur d'entaille incomplète. Lorsque l'INDICATEUR DE PROFONDEUR DU DISQUE (1Q) indique la position 0, la profondeur de sciage maximum souhaitée est atteinte. Si l'INTERRUPTEUR DE BUTÉE DE PROFONDEUR DU DISQUE (1M) est actionné (position « 1 » ou « MARCHE »), l'abaissement du disque s'arrête automatiquement.

Utilisation de l'INDICATEUR DE PROFONDEUR DU DISQUE (1Q) :

Mode « Profondeur » (les chiffres orangés représentent la profondeur actuelle de sciage) :

- Mettre le CONTACTEUR DE DÉMARRAGE DU MOTEUR (1H) à la position d'ARRÊT « 0 » pour ARRÊTER le moteur (s'il est en marche).
- Tourner le CONTACTEUR DE DÉMARRAGE DU MOTEUR (1H) à la position « 1 » (MARCHE) pour mettre le circuit électrique sous tension.
- Mettre l'INTERRUPTEUR DE BUTÉE DE PROFONDEUR DE DISQUE (1M) à la position « 0 » (Arrêt) .
- Abaisser le DISQUE EN DIAMANT (2E) en appuyant vers le bas sur le COMMUTATEUR À BASCULE (1P) du LEVIER DE COMMANDE DE VITESSE (1O) jusqu'à ce que le DISQUE EN DIAMANT (2E) touche la surface à entailler.
- Tourner l'aiguille de l'INDICATEUR DE PROFONDEUR DU DISQUE (1Q) jusqu'à ce qu'elle s'aligne sur la profondeur « 0 ».
- Lorsque le DISQUE EN DIAMANT (2E) est abaissé sur la surface à entailler, la profondeur actuelle de sciage est alors représentée par la plage de chiffres orangés de l'aiguille de l'INDICATEUR DE PROFONDEUR DU DISQUE (1Q).

Mode « SMD » (Set Maximum Depth/Réglage de la profondeur de sciage maximum) sans BUTÉE DE PROFONDEUR DU DISQUE (les chiffres en blanc représentent la profondeur restant à entailler) :

- Mettre le CONTACTEUR DE DÉMARRAGE DU MOTEUR (1H) à la position d'ARRÊT « 0 » pour ARRÊTER le moteur (s'il est en marche).
- Tourner le CONTACTEUR DE DÉMARRAGE DU MOTEUR (1H) à la position « 1 » (MARCHE) pour mettre le circuit électrique sous tension.
- Abaisser le DISQUE EN DIAMANT (2E) en appuyant vers le bas sur le COMMUTATEUR À BASCULE (1P) du LEVIER DE COMMANDE DE VITESSE (1O) jusqu'à ce que le DISQUE EN DIAMANT (2E) touche la surface à entailler.
- Tourner l'aiguille de l'INDICATEUR DE PROFONDEUR DU DISQUE (1Q) jusqu'à ce qu'elle s'aligne sur la profondeur de sciage maximum souhaitée de la plage de chiffres en blanc. La profondeur restant à entailler est maintenant indiquée sur la plage de chiffres en blanc. Lorsque l'aiguille de l'INDICATEUR DE PROFONDEUR DU DISQUE (1Q) atteint la position « 0 », la scie coupe la surface à la profondeur de sciage maximum souhaitée.
- Lever le disque en appuyant vers le haut sur le COMMUTATEUR À BASCULE (1P) du LEVIER DE COMMANDE DE VITESSE (1O) jusqu'à ce que le DISQUE EN DIAMANT (2E) soit au-dessus de la surface à entailler.
- Mettre le CONTACTEUR DE DÉMARRAGE DU MOTEUR (1H) à la position « 0 » (ARRÊT) pour mettre le circuit électrique hors tension.

Mode « SMD » (Set Maximum Depth/Réglage de la profondeur de sciage maximum) avec INTERRUPTEUR DE BUTÉE DE PROFONDEUR DU DISQUE (1M) (les chiffres en blanc représentent la profondeur restant à entailler) :

- Mettre le CONTACTEUR DE DÉMARRAGE DU MOTEUR (1H) à la position d'ARRÊT « 0 » pour ARRÊTER le moteur (s'il est en marche).
- Mettre l'INTERRUPTEUR DE BUTÉE DE PROFONDEUR DE DISQUE (1M) à la position « 0 » (ARRÊT) pour contourner le réglage de butée de profondeur. La scie peut alors se relever et s'abaisser sur toute la plage sans s'arrêter.
- Tourner le CONTACTEUR DE DÉMARRAGE DU MOTEUR (1H) à la position « 1 » (MARCHE) pour mettre le circuit électrique sous tension.
- Abaisser le DISQUE EN DIAMANT (2E) en appuyant vers le bas sur le COMMUTATEUR À BASCULE (1P) du LEVIER DE COMMANDE DE VITESSE (1O) jusqu'à ce que le DISQUE EN DIAMANT (2E) touche la surface à entailler.
- Tourner l'aiguille de l'INDICATEUR DE PROFONDEUR DU DISQUE (1Q) jusqu'à ce qu'elle s'aligne sur la profondeur de sciage maximum souhaitée de la plage de chiffres en blanc.
- Mettre l'INTERRUPTEUR DE BUTÉE DE PROFONDEUR DE DISQUE (1M) à la position « 1 » (MARCHE).
- Lever le disque en appuyant vers le haut sur le COMMUTATEUR À BASCULE (1P) du LEVIER DE COMMANDE DE VITESSE (1O) jusqu'à ce que le DISQUE EN DIAMANT (2E) soit au-dessus de la surface à entailler.
- Mettre le CONTACTEUR DE DÉMARRAGE DU MOTEUR (1H) à la position « 0 » (ARRÊT) pour mettre le circuit électrique hors tension.
- La profondeur de sciage maximum est maintenant réglée. Si la scie, pour quelque raison que ce soit, est relevée hors de la surface entaillée, elle peut désormais être rabaissée à cette profondeur spécifiée, en abaissant le disque dans la surface entaillée jusqu'à ce que le mouvement d'abaissement de la scie s'arrête.



La scie NE S'ABAISSERA PAS à une profondeur supérieure à celle réglée par la BUTÉE DE PROFONDEUR DE DISQUE (1Q). Par conséquent, si une entaille plus profonde est nécessaire, l'INDICATEUR DE PROFONDEUR DE DISQUE (1Q) DOIT être tourné à la nouvelle profondeur souhaitée. Ou mettre l'INTERRUPTEUR DE BUTÉE DE PROFONDEUR DE DISQUE (1M) à la position « 0 » (ARRÊT) pour contourner le réglage de butée de profondeur.

7 Arrêt de la scie

(Voir les figures 1, 2)



Pour un ARRÊT D'URGENCE, appuyer sur l'INTERRUPTEUR DE PAUME ROUGE (1K) sur le capot. Cela arrêtera le moteur et coupera l'alimentation de toutes les pièces électriques, sauf l'éclairage. Réarmer l'INTERRUPTEUR DE PAUME ROUGE (1K) en le tirant jusqu'à ce qu'il ressorte puis faire redémarrer le moteur.

- Mettre le levier de commande de vitesse (1O) à la position STOP (1BB).
- Sortir le disque en diamant (2E) de l'entaille en appuyant vers le haut sur le commutateur de relevage/abaissement (1P) du levier de commande (1O) jusqu'à ce que le disque (2E) soit dégagé de la surface.
- Désengager le commutateur d'embrayage du disque (1V) si la machine est équipée d'un embrayage.
- Tourner l'accélérateur du moteur (1F) à la position de RALENTI.
- Fermer le robinet d'eau (1T).
- Laisser le moteur tourner au ralenti quelques minutes avant de l'arrêter.
- ARRÊTER le moteur en tournant le contacteur de démarrage du moteur (1H) à la position d'ARRÊT « 0 ».

8 Incidents pouvant se produire durant le sciage

(Voir les figures 1, 2)

Si **LE MOTEUR S'ARRÊTE** durant le sciage, vérifier les points suivants :

- Manque de carburant dans le moteur—Vérifier la jauge de carburant (1X).
- Un manque d'eau signale à l'interrupteur de sécurité d'eau (1L) d'arrêter le moteur. Mettre l'interrupteur (1L) sur "0" (ARRÊT) puis faire redémarrer le moteur.
- Une vitesse de sciage excessive fait caler le moteur.
- L'interrupteur rouge d'arrêt d'urgence (1K) a été enfoncé. Le réarmer en le tirant jusqu'à ce qu'il ressorte.
- Le coupe-circuit s'est déclenché (1Z). Appuyer pour le réarmer.

Si le disque en diamant (2E) S'ARRÊTE durant le sciage, vérifier :

- La tension de la courroie d'entraînement est inadéquate.
- Le commutateur d'embrayage a été poussé sur "0" ARRÊT.
- Panne électrique de l'embrayage ou fusible grillé.

LA SCIE S'ABAISSÉ TROP RAPIDEMENT :

- La vitesse d'abaissement de la scie peut être réglée à l'aide du bouton de commande (1U) situé à l'arrière de la scie. Si la scie descend trop rapidement, tourner le bouton de commande (1U) DANS LE SENS DES AIGUILLES D'UNE MONTRE, jusqu'à ce que la vitesse adéquate soit obtenue.

Si le MOTEUR ou le DISQUE CALE pour une raison quelle qu'elle soit, relever le disque complètement hors de l'entaille et inspecter entièrement la machine avant de faire redémarrer le moteur. Lors de l'abaissement du disque dans une entaille partielle, aligner le disque exactement sur l'entaille pour éviter d'endommager le disque.



Confier toutes les réparations uniquement au concessionnaire agréé.

9 Réglages : Sciage en ligne droite

(Voir les figures 1 et 4)

Durant le sciage, il est possible que la scie dévie vers la droite de la ligne droite requise, marquée sur la surface (si le disque en diamant [2E] est installé du côté droit). Si cela se produit, l'essieu arrière (4E) de la scie peut être pivoté pour compenser.

Scies équipées de l'option EASYTRACK.

- Pousser le commutateur de réglage d'essieu (1J) vers la **GAUCHE**. De petits réglages produisent de grands changements.
- Les réglages peuvent être effectués durant le sciage ou non.
- Vérifier visuellement le mouvement et la direction de l'essieu.

Scies avec réglage manuel de l'essieu

- L'essieu (4E) se règle en tournant le boulon de réglage M12 (1CC) situé à la partie inférieure gauche arrière du châssis de la scie.
- Si la scie dévie vers la **DROITE** durant le sciage, tourner le boulon de réglage **DANS LE SENS INVERSE DES AIGUILLES D'UNE MONTRE**.
- Si la scie dévie vers la **GAUCHE** durant le sciage, tourner le boulon de réglage (1CC) **DANS LE SENS DES AIGUILLES D'UNE MONTRE**.

10 Entretien

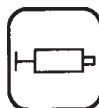
(Voir les figures 1 à 6)



TOUJOURS garer la machine sur une surface horizontale, avec le moteur À L'ARRÊT et la clé de contact (1H) à la position « 0 » (ARRÊT), avant d'effectuer une opération d'entretien.

Après chaque utilisation, NETTOYER la machine.

LUBRIFICATION :



HUILE MOTEUR : Vérifier chaque jour (6B). Changer l'huile moteur et le filtre à huile (6H) toutes les 100 HEURES d'utilisation. Consulter le manuel du moteur pour le type d'huile à utiliser. L'huile 15W40 CD, CE est généralement recommandée. (6B) Capacité : 8,0 litres (8,5 quarts U.S.) avec filtre (6H). Aligner le niveau d'huile sur le repère supérieur de la jauge (6B).

LUBRIFIER TOUTES LES 100 HEURES :

- Crapaudines d'essieu avant (4C)

LUBRIFIER TOUTES LES 250 HEURES :

- Joints d'étanchéité et roulements (4A) d'axe du disque, 2 coups de pompe seulement

CIRCUIT HYDRAULIQUE :

Consulter la section 12 « Circuit hydraulique ».

BOÎTE DE TRANSMISSION DU MOTEUR (3-1A, 3-2A):

- Changer l'huile toutes les 500 heures de fonctionnement. Utiliser le lubrifiant synthétique SAE 75W90 pour engrenages.

NE PAS TROP REMPLIR ! Ne remplir que jusqu'au « port de contrôle », afin d'éviter un débordement.

BOÎTE DE TRANSMISSION DU MOTEUR à une seule vitesse (3-1A) : Capacité : 0,946 litre (32 oz US) d'huile.

BOÎTE DE TRANSMISSION DU MOTEUR à trois vitesses (3-2A) : Capacité : 1,77 litre (60 oz US) d'huile

- Vidanger l'eau de refroidissement par le robinet de vidange d'eau (3-1C, 3-2C) afin d'éviter la rouille et les dégâts dus au gel (tous les jours).

CIRCUIT DE REFROIDISSEMENT :

Le liquide de refroidissement du moteur est un mélange à volumes égaux (50/50) d'eau et d'antigel.

- Nettoyer l'élément du filtre à air (1DD) du radiateur toutes les 50 heures ou lorsque nécessaire ; le remplacer s'il est endommagé. Toujours laisser l'élément du filtre à air (1DD) du radiateur à sa place.
- Vérifier que les flexibles ne sont pas endommagés et que les colliers sont serrés. Serrer ou remplacer selon le besoin.
- Vérifier chaque année la protection contre le gel du liquide de refroidissement.
- Rincer et nettoyer le radiateur et le circuit de refroidissement toutes les 500 heures.
- Maintenir le niveau du liquide de refroidissement à au moins 1/4 de la bouteille de trop-plein (1Y) lorsque le moteur est frais.

FILTRE À AIR :

- Nettoyer l'élément extérieur (5A) du filtre à air lorsque le signal rouge de l'indicateur de colmatage (1N) apparaît. **NE PAS** nettoyer l'élément intérieur de sécurité (5A) !

Pour changer ou nettoyer l'élément du filtre à air :

- Sortir le boîtier du filtre à air (5A) en ouvrant les trois (3) colliers de serrage du boîtier du filtre, et en tirant sur le boîtier.
- Sortir l'élément extérieur du boîtier du filtre à air et le remplacer ou le nettoyer à l'air comprimé à basse pression (2,75 bar [40 psi] – max.), en soufflant l'air de l'intérieur vers l'extérieur. **NE PAS** nettoyer l'élément du filtre en le tapant sur le sol ou sur d'autres objets car cela l'endommagerait !
- Installer l'élément extérieur en le poussant dans le boîtier du filtre.
- Remettre le boîtier du filtre à air (5A) en place et fermer les trois (3) colliers de serrage (5A) du boîtier.



Les trois (3) colliers de serrage (5A) du boîtier du filtre NE peuvent se fermer que si l'élément extérieur est installé correctement.

- Remplacer l'élément intérieur de sécurité une fois par an ou s'il est endommagé.
- Remplacer tout filtre ou tout joint endommagé.
- Vérifier que les flexibles ne sont pas endommagés et que les colliers sont serrés. Serrer ou remplacer selon le besoin.

Roues et moyeux :

- Vérifier que l'usure n'est pas excessive et qu'ils ne sont pas desserrés. Serrer ou remplacer selon le besoin.

FILTRE À CARBURANT :

- Remplacer le filtre à carburant vissable (5F) toutes les 500 heures.

11 Tension des courroies trapézoïdales de l'axe du disque

(Voir les figures 1 à 3)

Cette scie est équipée de courroies trapézoïdales en bande à forte tension. Elles sont correctement tendues en usine, mais après quelques heures de fonctionnement, elles se détendent et deviennent lâches. Retendre les courroies comme indiqué ci-dessous.

Pour tendre les courroies trapézoïdales :

- Tourner le CONTACTEUR DE DÉMARRAGE DU MOTEUR (1H) à la position « 0 » (ARRÊT).
- Ouvrir le CAPOT DU MOTEUR (6E) : Voir la procédure à la (aux) Figure(s) 3-1/3-2, Élément 3-1D/3-2D.
- À l'aide de la CLÉ D'AXE DE DISQUE (2J), desserrer les boulons de serrage horizontaux (3K), à l'avant de la machine.
- Tourner DANS LE SENS DES AIGUILLES D'UNE MONTRE chacun des deux (2) BOULONS DE TENSION DE COURROIE verticaux (3-1J, 3-2J), (à l'avant de la machine, sous la BOÎTE DE TRANSMISSION DU MOTEUR [3-1A, 3-2A]), jusqu'à ce que les COURROIES TRAPÉZOÏDALES (3-1M, 3-2M) soient tendues.
- Remplacer les COURROIES TRAPÉZOÏDALES (3-1M, 3-2M) par jeux complets seulement.
- Pour une tension optimale des courroies trapézoïdales, utiliser les bandes Goodyear TensionRite™, numéro de pièce 542 19 13-68. Ces bandes TensionRite™ sont fournies avec les courroies achetées chez votre concessionnaire.
- Ne jamais tendre les COURROIES TRAPÉZOÏDALES (3-1M, 3-2M) à une tension supérieure à celle d'origine de l'usine. Conséquence de courroies détendues : une durée de vie écourtée et de médiocres performances de la scie.



Remplacer et garder à leur place toutes les protections et tous les écrans. Ne jamais faire fonctionner la scie sans les protections et les écrans en place.

12 Circuit hydraulique

(Voir les figures 1 à 6)

Le circuit hydraulique de cette scie sert à RELEVER/ ABAISSER le disque en diamant (2E) et à propulser la machine VERS L'AVANT et VERS L'ARRIÈRE. Le circuit hydraulique comprend : la pompe hydrostatique (5N), 2 moteurs hydrauliques de roues (4F), le filtre à fluide hydraulique (5K), la pompe de relevage C.C. (5H), le réservoir de fluide hydraulique (5J), le bouton de commande de vitesse d'abaissement (1U) et le vérin de relevage hydraulique (4G).

- Le filtre à fluide hydraulique (5K) doit être changé après les 50 premières heures de fonctionnement, puis toutes les 250 heures.
- Vérifier régulièrement le niveau du fluide hydraulique dans le réservoir (5J). Maintenir le niveau et utiliser de l'huile SAE 15W40 API classe SE, CC, CD. **NE PAS TROP REMPLIR** ; vérifier le niveau quand la scie est horizontale.
- Changer le fluide hydraulique toutes les 500 heures de fonctionnement. Remplir le réservoir de fluide hydraulique (5I, 5J) avec environ 2,36 litres (2,5 quarts U.S.) d'huile SAE 15W40 API classe SE, CC, CD. **NE PAS TROP REMPLIR !** Vérifier le niveau quand la scie est horizontale.
- La vitesse d'abaissement de la scie peut être réglée à l'aide du bouton de commande (1U) situé à l'arrière de la scie. Si la scie descend trop rapidement, tourner le bouton de commande (1U) DANS LE SENS DES AIGUILLES D'UNE MONTRE, jusqu'à ce que la vitesse adéquate soit obtenue.

13 Conseil important

(Voir les figures 2, 3)

- Serrer régulièrement les écrous et boulons desserrés, surtout après quelques heures de fonctionnement.
- Vérifier régulièrement la tension des courroies trapézoïdales (3-1M, 3-2M). Retendre les courroies (3-1M, 3-2M) selon le besoin.
- Déposer le disque en diamant (2E) pour l'entreposer. Le ranger avec précaution.
- Vérifier périodiquement la pulvérisation d'eau sur le disque en diamant (2E).
- Serrer le disque en diamant (2E) fermement sur le mandrin (2C).
- Vérifier que les faces de contact des flasques (2B & 2F), du disque en diamant (2E) et d'axe du disque (2I) sont propres.



Entreposer le matériel dans un lieu sûr, hors de la portée des enfants. Retirer tous les outils et clés de réglage. Ranger l'outil en diamant dans un lieu sûr pour qu'il ne soit pas abîmé

14 Moteur / Axe de disque / Réglage du régime de la boîte de transmission

(Voir les figures 1 à 6)



L'opérateur et les personnes se trouvant dans la zone de travail risquent de subir de graves blessures si la vitesse de rotation (tr/min) du DISQUE EN DIAMANT (2E) dépasse la vitesse maximum (tr/min) marquée sur le DISQUE EN DIAMANT.

RÉGIME MOTEUR :

Le régime moteur de cette machine a été établi en usine et n'a pas besoin d'être modifié. Le régime moteur maximum doit être de 3 000 tr/min, sans charge.

VITESSE DE L'AXE DU DISQUE :

Bien vérifier la vitesse de l'axe du disque de cette machine avant d'y installer le DISQUE EN DIAMANT (2E). Ne jamais installer un DISQUE EN DIAMANT (2E) si la vitesse de rotation de l'axe du disque (tr/min) de la machine est supérieure à la vitesse maximum (tr/min) indiquée sur le DISQUE EN DIAMANT (2E) ! Il peut être nécessaire de changer la POULIE D'AXE DU DISQUE (3-1N, 3-2N) et le FLASQUE D'AXE DU DISQUE (2B & 2F) si le diamètre du disque en diamant est changé !

BOÎTE DE TRANSMISSION À UNE SEULE VITESSE :

Chaque modèle de scie tel que livré d'usine est conçu pour utiliser une plage spécifique de tailles de disques en le tirant jusqu'à. Si une taille de disque hors de la plage spécifiée pour le modèle doit être utilisée, la configuration de l'entraînement de la scie doit être changée. Par exemple : Si l'on passe d'une petite taille de DISQUE EN DIAMANT (2E) à une très grande taille sur une machine munie d'une boîte de transmission à une seule vitesse, les poulies (3-1L) d'axe de disque, les poulies (3-1N) de boîte de transmission et les FLASQUES D'AXE DE DISQUE (2B & 2F) et les protections de disque doivent être changés.

Par exemple, pour passer d'un entraînement de 450 mm (18 po) à un entraînement de 900 mm (36 po) sur une boîte de transmission à une seule vitesse :

1. Changer la poulie de boîte de transmission du moteur d'un diamètre de 121 mm (4,75 po) à 93 mm (3,65 po).
2. Changer la poulie d'axe de disque d'un diamètre de 105 mm (4,12 po) à 142,2 mm (5,60 po).
3. Changer les flasques de disque d'un diamètre de 127 mm (5,00 po) à 152 mm (6 po).
4. Changer la PROTECTION DE DISQUE (2H) de 450 mm (18 po) à 900 mm (36 po).
5. Le régime moteur ne change pas.

Consulter les informations spécifiques des tableaux de conversion des tailles de disque.

MODÈLE DOTÉ D'UNE BOÎTE DE TRANSMISSION À TROIS VITESSES (14-26, 18-30, 20-36, 26-42, 30-48):



ATTENTION : Ne jamais changer de vitesse (3-2A) lorsque le moteur tourne ! Ne changer de vitesse (3-2A) que lorsque le moteur est ARRÊTÉ ! La boîte de transmission pourrait être endommagée.

Voir à la rubrique « LEVIER DE VITESSE DE LA BOÎTE DE TRANSMISSION (3-2O) les détails du fonctionnement du levier de vitesse.

Bien qu'elle ait été conçue pour minimiser les réglages requis par les changements de taille de disque, une machine dotée d'une BOÎTE DE TRANSMISSION À TROIS VITESSES (3-2A) installée en usine peut nécessiter certains réglages. La machine est conçue pour fonctionner dans la plage spécifiée pour les tailles des disques se trouvant à l'intérieur de la protection installée en usine. Les informations codées couleur se trouvant sur la machine et celles du manuel indiquent les tailles de disque permises en fonction de la configuration actuelle de l'entraînement de la machine. Il existe 5 configurations d'entraînement de la machine : a) 14-26 pour les disques de 350 à 650 mm (14 à 26 po), b) 18-30 pour les disques de 450 à 750 mm (18 à 30 po), c) 20-36 pour les disques de 500 à 900 mm (20 à 36 po), d) 26-42 pour les disques de 650 à 1000 mm (26 à 42 po), e) 30-48 pour les disques de 760 à 1219 mm (30 à 48 po) (FS 4800 D). Par exemple, pour installer un disque de taille différente sur l'entraînement d'une machine de configuration 18-30 dans la plage 450 à 750 mm (18 à 30 po), il suffit d'amener le LEVIER DE VITESSE DE LA BOÎTE DE TRANSMISSION (3-2O) à la position correcte (1, 2 ou 3). Si la taille de disque requise est hors de la plage de configuration de l'entraînement de la machine [dans cet exemple, en dessous de 450 mm (18 po) ou au-dessus de 750 mm (30 po)], la configuration doit être modifiée. Pour cela, il peut être nécessaire de déplacer le LEVIER DE VITESSE DE LA BOÎTE DE TRANSMISSION (3-2O), de changer LES POULIES DE L'AXE DE DISQUE (3-2L), les POULIES DE LA BOÎTE DE TRANSMISSION (3-2N) et les FLASQUES DE L'ARBRE DE DISQUE (2B et 2F).

Exemple: Pour passer d'un entraînement de 500 mm (20 po) à un entraînement de 900 mm (36 po) sur une boîte de transmission à trois vitesses, déterminer d'abord la configuration de l'entraînement de la machine (14-26, 18-30, 20-36, 26-42 ou 30-48). Elle devrait correspondre au diamètre du FLASQUE DE L'AXE DE DISQUE (2B et 2F) installé sur la scie.

Si la configuration de l'entraînement de la machine est 20-36, le diamètre du FLASQUE (2B et 2F) devrait être de 152 mm (6 po) :

- Vérifier que des poulies de diamètre approprié sont installées (Consulter les informations spécifiques des tableaux de conversion des tailles de disque).
- Faire passer le LEVIER DE VITESSE DE LA BOÎTE DE TRANSMISSION (3-2O) de 3 à 1.
- Vérifier que la configuration de l'entraînement de la machine et la vitesse de l'axe du disque sont conformes aux informations contenues dans le manuel et sur l'autocollant 504 11 98 « Plage de la boîte de transmission ».

Si la configuration de l'entraînement de la machine est 18-30, le diamètre du FLASQUE (2B et 2F) devrait être de 127 mm (5,00 po) :

- Changer le diamètre de la POULIE DE L'AXE DE DISQUE de 105 mm (4,12 po) à 121 mm (4,75 po).
- Changer le diamètre du FLASQUE DE L'AXE DE DISQUE de 127 mm (5 po) à 152 mm (6 po).
- Faire passer le LEVIER DE VITESSE DE LA BOÎTE DE TRANSMISSION (3-2O) de 2 à 1.
- Vérifier que la configuration de l'entraînement de la machine et la vitesse de l'axe de disque sont conformes aux informations sur la configuration de l'entraînement 20-36 figurant dans le manuel.
- Installer les autocollants de configuration d'entraînement 20-36 (autocollants 504 11 98-09, 542 20 65-49 requis) De plus amples informations se trouvent à la page « Autocollants et emplacements » de ce manuel.

Si la configuration de l'entraînement de la machine est 14-26, le diamètre du FLASQUE (2B et 2F) devrait être de 114,3 mm (4,50 po) :

- Changer le diamètre de la POULIE DE L'AXE DE DISQUE de 105 mm (4,12 po) à 121 mm (4,75 po).
- Changer le diamètre du FLASQUE DE L'AXE DE DISQUE de 114,3 mm (4,50 po) à 152 mm (6 po).
- Changer le diamètre de la POULIE DE LA BOÎTE DE TRANSMISSION DU MOTEUR de 121 mm (4,75 po) à 105 mm (4,12 po).
- Faire passer le LEVIER DE VITESSE DE LA BOÎTE DE TRANSMISSION (3-2O) de 2 à 1.
- Vérifier que la configuration de l'entraînement de la machine et la vitesse de l'axe de disque sont conformes aux informations sur la configuration de l'entraînement 20-36 figurant dans le manuel.
- Installer les autocollants de configuration d'entraînement 20-36 (autocollants 504 11 98-09, 542 20 65-49 requis) De plus amples informations se trouvent à la page "Autocollants et emplacements" de ce manuel.

Consulter les informations spécifiques des tableaux de conversion des tailles de disque.



AVERTISSEMENT : L'opérateur et les personnes se trouvant dans la zone de travail risquent de subir de graves blessures si la vitesse de rotation (tr/min) du DISQUE EN DIAMANT (2E) dépasse la vitesse maximum (tr/min) marquée sur le DISQUE EN DIAMANT (2E).



Avertissement : Le passage d'une vitesse pourrait endommager le BOUTON DE CRAN inférieur DE LA BOÎTE DE TRANSMISSION (3-2P) ou la BOÎTE DE TRANSMISSION DU MOTEUR (3-2A) à trois vitesses !

En cas de difficulté à passer les vitesses, un léger mouvement de l'axe du disque peut faciliter le mouvement du LEVIER DE LA BOÎTE DE TRANSMISSION (3-2O) VERS la position correcte. Ne jamais passer une vitesse sur la boîte de transmission (3-2A) lorsque le moteur tourne !

LA BOÎTE DE TRANSMISSION DU MOTEUR à trois vitesses (3-2A) est dotée de deux positions au point mort. Cette boîte de vitesse peut être mise au point mort s'il faut arrêter la rotation du disque lors du fonctionnement du moteur. Si la machine est dotée de l'EMBAYAGE DE DISQUE (1V) en option, le COMMUTATEUR D'EMBAYAGE DE DISQUE (1V) peut être déplacé à la position « 0 » (ARRÊT) pour stopper la rotation du disque lors du fonctionnement du moteur.

15 Accessoires

KITS DE CONVERSION DES PROTECTIONS DE DISQUE :

Utiliser la protection de la taille appropriée à la taille de disque en diamant utilisée. Les protections de disque suivantes sont disponibles pour ces tailles de disque en diamant :

| Protection | Tailles de disque |
|------------------|----------------------------------|
| 60 po (1 500 mm) | 48 po - 60 po (1 200 - 1 500 mm) |
| 48 po (1 200 mm) | 36 po - 48 po (1 000 - 1 200 mm) |
| 42 po (1 000 mm) | 30 po - 42 po (750 - 1 000 mm) |
| 36 po (900 mm) | 24 po - 36 po (600 - 900 mm) |
| 30 po (750 mm) | 18 po - 30 po (450 - 750 mm) |
| 26 po (600 mm) | 14 po - 26 po (350 - 650 mm) |
| 18 po (450 mm) | 14 po - 18 po (350 - 450 mm) |

Consulter les informations spécifiques des tableaux de conversion des tailles de disque.

KITS DE MASSES D'ALOURDISSEMENT :

Standard sur : 42 po (1 000 mm), 48 po (1 200 mm) & 60 po (1 500 mm)

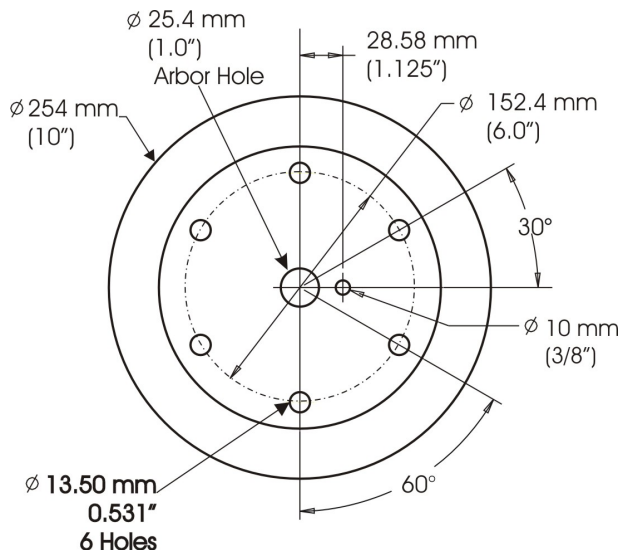
| | | |
|----------------------------------------------------------------|------------------------|-------|
| Kit 542 19 61-72, masses arrière | 2 barres | 42 po |
| Kit 542 19 80-22, masses arrière | 3 barres | 48 po |
| Kit 542 19 97-57, masses arrière (comprend : masses latérales) | 6 barres | 60 po |
| | 5 barres avec poignées | |

KITS OPTIONNELS :

| | |
|---------------|------------------------|
| 542 18 11-17* | Kit d'éclairage double |
| 542 19 96-26 | Kit de pompe à eau |

16 Modèles de grand diamètre

Le modèle FS8400 peut être configuré avec une capacité de disque de 1 500 mm (60 po) de diamètre. L'entraînement de 60 po peut être commandé à l'usine ou il est possible de le reconfigurer en commandant le kit de conversion 542 19 96-25. Consulter les informations spécifiques des tableaux de conversion des tailles de disque. Il est possible d'obtenir une profondeur d'entaille de 25 po. Le modèle de grand diamètre comprend une extension de châssis, une protection de disque de 60 po et un ensemble d'axe de disque avec flasques de 10 po



de diamètre. Les flasques sont du type suivant. Le type de trou de disque doit correspondre. Six (6) vis à tête hexagonale 1/2-13 x 2,5 po de long passent à travers le flasque extérieur, à travers le cœur du disque et se vissent dans le flasque intérieur, fournissant la force de serrage pour maintenir le disque. Utiliser des rondelles-frein de 1/2 po avec les boulons de serrage. Utiliser aussi la vis à tête 5/8-11 x 4,0 po à filetage à gauche ou à droite, à travers le centre du flasque. Husqvarna fournira des disques avec ce type de trou.

Le modèle FS8400, lorsqu'il est équipé d'un système d'entraînement de 60 po, est très lourd et l'équilibre de la machine est fortement affecté par la présence ou l'absence d'un disque. Pour compenser les grands changements d'équilibre, une boîte de masses d'alourdissement est montée à la partie arrière gauche ou droite des scies. Il est facile d'ajouter et de retirer ces masses pour ajuster rapidement l'équilibre de la machine, afin de répondre aux besoins de l'opérateur.

17 Réparations

Nous effectuons toutes les réparations dans les délais les plus courts possibles, aux tarifs les plus économiques. (Se reporter à la page de dos pour les adresses et numéros de téléphone). Contacter le concessionnaire Husqvarna agréé pour tout besoin d'entretien et de réparations.

18 Pièces détachées

Pour obtenir rapidement des pièces détachées et éviter toute perte de temps, il est essentiel de fournir, pour chaque commande, les données se trouvant sur la plaque du fabricant fixée sur la machine, ainsi que le(s) numéro(s) de pièce et la description des composants à remplacer.

Veillez vous reporter au manuel des listes de pièces (542 20 10-32) : (Si vous n'avez pas de manuel de listes de pièces, veuillez téléphoner au 1-800-288-5040 aux Etats Unis ou +1-913-928-1300, international).

Les instructions d'utilisation et les pièces détachées mentionnées dans ce document figurent uniquement à titre informatif et ne doivent pas être considérées comme un engagement. De par notre politique d'amélioration de la qualité des produits, nous nous réservons le droit d'effectuer des modifications techniques sans avis préalable.



Le fabricant n'accepte aucune responsabilité pour les événements résultant d'une utilisation inappropriée ou de modifications.

NOTES:
NOTAS:
NOTES :

FS6600 DIESEL - BLADE SIZE CONVERSION CHART

Note: Bladeshift Spacers & V-Belt changes after Feb. 2005, S/N: 428033

| 05.03.05 | Size To Convert To | | |
|----------------------------------------------------------------|---------------------------------------------------------------------------------------------------------------------------------------------------------------------------------------------------------------------------------------------------------------------------------------------------------------------------------------------------------------------------------------------------|---------------------------------------------------------------------------------------------------------------------------------------------------------------------------------------------------------------------------------------------------------------------------------------------------------------------------------------------------------------|---------------------------------------------------------------------------------------------------------------------------------------------------------------------------------------------------------------------------------------------------------------------------------------------------------------------------------------------------------------|
| Size To Convert From | 14" / 18" (350mm / 450mm) | 26" (650mm) | 30" (750mm) |
| 14" (350mm) & 18" (450mm) | <p>No Conversion Required; configured: - Blade Guard 2" Wide Slip-On – 18" US - Blade Guard 3" Wide Slip-On – 18" EU - (1) Spade & Spacer - (2) Bladeshift Pulley 8G3VX4.12" OD - (2) Engine Pulley, 8G3VX4.75" OD - Flanges, 5.00" OD</p> <p><u>Before Feb 2005:</u> (4) V-Belt 3VX430 4-Band <u>After Feb 2005:</u> (4) V-Belt 3VX465 4-Band</p> | <p>542 19 81-64 Blade Guard 3" Wide S/O</p> <p>542 19 94-67 Bladeshift Assy 26/30" 542 19 18-95 (2) Eng Pulley 8G 4.12" OD</p> <p><u>Before Feb 2005:</u> 542 16 63-63 (4) V-Belt 3VX430 4-Band <u>After Feb 2005:</u> 542 16 66-29 (4) V-Belt 3VX465 4-Band</p> | <p>542 19 81-65 Blade Guard 3" Wide S/O</p> <p>542 19 94-67 Bladeshift Assy 26/30" 542 16 63-66 (2) Eng Pulley 8G 3.65" OD</p> <p><u>Before Feb 2005:</u> 542 16 63-63 (4) V-Belt 3VX430 4-Band <u>After Feb 2005:</u> 542 16 63-62 (4) V-Belt 3VX450 4-Band</p> |
| 26" (650mm) | <p>542 19 81-63 Blade Guard 2" Wide S/O-US 542 19 97-78 Blade Guard 3" Wide S/O-EU</p> <p>542 19 94-66 Bladeshift Assy 18" 542 16 63-65 (2) Eng Pulley 8G 4.75" OD</p> <p><u>Before Feb 2005:</u> 542 16 63-63 (4) V-Belt 3VX430 4-Band <u>After Feb 2005:</u> 542 16 66-29 (4) V-Belt 3VX465 4-Band</p> | <p>No Conversion Required; configured: - Blade Guard 3" Wide Slip-On -26" - (1) Spade & Spacer - (2) Bladeshift Pulley 8G3VX4.75" OD - (2) Engine Pulley, 8G3VX4.12" OD - Flanges, 5.00" OD</p> <p><u>Before Feb 2005:</u> (4) V-Belt 3VX430 4-Band <u>After Feb 2005:</u> (4) V-Belt 3VX465 4-Band</p> | <p>542 19 81-65 Blade Guard 3" Wide S/O</p> <p>542 16 63-66 (2) Eng Pulley 8G 3.65" OD</p> <p><u>Before Feb 2005:</u> 542 16 63-63 (4) V-Belt 3VX430 4-Band <u>After Feb 2005:</u> 542 16 63-62 (4) V-Belt 3VX450 4-Band</p> |
| 30" (750mm) | <p>542 19 81-63 Blade Guard 2" Wide S/O-US 542 19 97-78 Blade Guard 3" Wide S/O-EU</p> <p>542 19 94-66 Bladeshift Assy 18" 542 16 63-65 (2) Eng Pulley 8G 4.75" OD</p> <p><u>Before Feb 2005:</u> 542 16 63-63 (4) V-Belt 3VX430 4-Band <u>After Feb 2005:</u> 542 16 66-29 (4) V-Belt 3VX465 4-Band</p> | <p>542 19 81-64 Blade Guard 3" Wide S/O</p> <p>542 19 18-95 (2) Eng Pulley 8G 4.12" OD</p> <p><u>Before Feb 2005:</u> 542 16 63-63 (4) V-Belt 3VX430 4-Band <u>After Feb 2005:</u> 542 16 66-29 (4) V-Belt 3VX465 4-Band</p> | <p>No Conversion Required; configured: - Blade Guard 3" Wide Slip-On – 30" - (1) Spade & Spacer - (2) Bladeshift Pulley 8G3VX4.75" OD - (2) Engine Pulley 8G3VX3.65" OD - Flanges, 5.00" OD</p> <p><u>Before Feb 2005:</u> (4) V-Belt 3VX430 4-Band <u>After Feb 2005:</u> (4) V-Belt 3VX450 4-Band</p> |
| 36" (900mm) | <p>542 19 81-63 Blade Guard 2" Wide S/O-US 542 19 97-78 Blade Guard 3" Wide S/O-EU</p> <p>542 19 94-66 Bladeshift Assy 18" 542 16 63-65 (2) Eng Pulley 8G 4.75" OD</p> <p><u>Before Feb 2005:</u> 542 16 63-63 (4) V-Belt 3VX430 4-Band <u>After Feb 2005:</u> 542 16 66-29 (4) V-Belt 3VX465 4-Band</p> | <p>542 19 81-64 Blade Guard 3" Wide S/O</p> <p>Note: Remove Rear Slip-On Spade to allow attachment of 26" Guard. 542 19 94-67 Bladeshift Assy 26/30" 542 19 18-95 (2) Eng Pulley 8G 4.12" OD</p> <p><u>Before Feb 2005:</u> 542 16 63-63 (4) V-Belt 3VX430 4-Band <u>After Feb 2005:</u> 542 16 66-29 (4) V-Belt 3VX465 4-Band</p> | <p>542 19 81-65 Blade Guard 3" Wide S/O</p> <p>Note: Remove Rear Slip-On Spade to allow attachment of 30" Guard. 542 19 94-67 Bladeshift Assy 26/30" 542 16 63-66 (2) Eng Pulley 8G 3.65" OD</p> <p><u>Before Feb 2005:</u> 542 16 63-63 (4) V-Belt 3VX430 4-Band <u>After Feb 2005:</u> 542 16 63-62 (4) V-Belt 3VX450 4-Band</p> |
| 42" (1000mm) | <p>542 19 81-63 Blade Guard 2" Wide S/O-US 542 19 97-78 Blade Guard 3" Wide S/O-EU</p> <p>542 19 94-66 Bladeshift Assy 18" 542 16 63-65 (2) Eng Pulley 8G 4.75" OD</p> <p><u>Before Feb 2005:</u> 542 16 63-63 (4) V-Belt 3VX430 4-Band <u>After Feb 2005:</u> 542 16 66-29 (4) V-Belt 3VX465 4-Band</p> | <p>542 19 81-64 Blade Guard 3" Wide S/O 542 19 93-62 Blade Guard Attachment Kit</p> <p>542 19 94-67 Bladeshift Assy 26/30" 542 19 18-95 (2) Eng Pulley 8G 4.12" OD</p> <p><u>Before Feb 2005:</u> 542 16 63-63 (4) V-Belt 3VX430 4-Band <u>After Feb 2005:</u> 542 16 66-29 (4) V-Belt 3VX465 4-Band</p> | <p>542 19 81-65 Blade Guard 3" Wide S/O 542 19 93-62 Blade Guard Attachment Kit</p> <p>542 19 94-67 Bladeshift Assy 26/30" 542 16 63-66 (2) Eng Pulley 8G 3.65" OD</p> <p><u>Before Feb 2005:</u> 542 16 63-63 (4) V-Belt 3VX430 4-Band <u>After Feb 2005:</u> 542 16 63-62 (4) V-Belt 3VX450 4-Band</p> |

FS6600 DIESEL - BLADE SIZE CONVERSION CHART

Note: Bladeshaft Spacers & V-Belt changes after Feb. 2005, S/N: 428033

| 10.27.05 | Size To Convert To | |
|----------------------------------------------------------------|------------------------------------------------------------------------------------------------------------------------------------------------------------------------------------------------------------------------------------------------------------------------------------------------------------------------------------------------------------------|----------------------------------------------------------------------------------------------------------------------------------------------------------------------------------------------------------------------------------------------------------------------------------------------------------------------------------------------------------|
| Size To Convert From | 36" (900mm) | 42" (1000mm) |
| 14" (350mm) & 18" (450mm) | 542 19 81-66 Blade Guard 3" Wide S/O 542 19 94-69 Bladeshaft Assy 36" 542 16 63-66 (2) Eng Pulley 8G 3.65" OD <u>Before Feb 2005:</u> 542 19 95-02 (4) V-Belt 3VX435 4-Band 542 19 93-62 Blade Guard Attachment Kit <u>After Feb 2005:</u> 542 16 66-29 (4) V-Belt 3VX465 4-Band 542 19 96-89 Blade Guard Attachment Kit | 542 19 93-90 Blade Guard 4" Wide B/O Note: Remove Slip-On Spades to allow attachment of 42" Guard. 542 19 94-70 Bladeshaft Assy 42" 542 16 63-66 (2) Eng Pulley 8G 3.65" OD <u>Before Feb 2005:</u> 542 16 66-29 (4) V-Belt 3VX465 4-Band <u>After Feb 2005:</u> 542 19 97-64 (4) V-Belt 3VX485 4-Band |
| 26" (650mm) | 542 19 81-66 Blade Guard 3" Wide S/O 542 19 94-69 Bladeshaft Assy 36" 542 16 63-66 (2) Eng Pulley 8G 3.65" OD <u>Before Feb 2005:</u> 542 19 95-02 (4) V-Belt 3VX435 4-Band 542 19 93-62 Blade Guard Attachment Kit <u>After Feb 2005:</u> 542 16 66-29 (4) V-Belt 3VX465 4-Band 542 19 96-89 Blade Guard Attachment Kit | 542 19 93-90 Blade Guard 4" Wide B/O Note: Remove Slip-On Spades to allow attachment of 42" Guard. 542 19 94-70 Bladeshaft Assy 42" 542 16 63-66 (2) Eng Pulley 8G 3.65" OD <u>Before Feb 2005:</u> 542 16 66-29 (4) V-Belt 3VX465 4-Band <u>After Feb 2005:</u> 542 19 97-64 (4) V-Belt 3VX485 4-Band |
| 30" (750mm) | 542 19 81-66 Blade Guard 3" Wide S/O 542 19 94-69 Bladeshaft Assy 36" 542 16 63-66 (2) Eng Pulley 8G 3.65" OD <u>Before Feb 2005:</u> 542 19 95-02 (4) V-Belt 3VX435 4-Band 542 19 93-62 Blade Guard Attachment Kit <u>After Feb 2005:</u> 542 16 66-29 (4) V-Belt 3VX465 4-Band 542 19 96-89 Blade Guard Attachment Kit | 542 19 93-90 Blade Guard 4" Wide B/O Note: Remove Slip-On Spades to allow attachment of 42" Guard. 542 19 94-70 Bladeshaft Assy 42" 542 16 63-66 (2) Eng Pulley 8G 3.65" OD <u>Before Feb 2005:</u> 542 16 66-29 (4) V-Belt 3VX465 4-Band <u>After Feb 2005:</u> 542 19 97-64 (4) V-Belt 3VX485 4-Band |
| 36" (900mm) | No Conversion Required; configured: - Blade Guard 3" Wide Slip-On – 36" - (2) Spades & Spacers - (2) Blade Shaft Pulley 8G3VX5.60" OD - (2) Engine Pulley 8G3VX3.65" OD - Flanges, 6.00" OD <u>Before Feb 2005:</u> 542 19 95-02 (4) V-Belt 3VX435 4-Band <u>After Feb 2005:</u> 542 16 66-29 (4) V-Belt 3VX465 4-Band | 542 19 93-90 Blade Guard 4" Wide B/O Note: Remove Slip-On Spades to allow attachment of 42" Guard. 542 19 94-70 Bladeshaft Assy 42" 542 16 63-66 (2) Eng Pulley 8G 3.65" OD <u>Before Feb 2005:</u> 542 16 66-29 (4) V-Belt 3VX465 4-Band <u>After Feb 2005:</u> 542 19 97-64 (4) V-Belt 3VX485 4-Band |
| 42" (1000mm) | 542 19 81-66 Blade Guard 3" Wide S/O 542 19 94-69 Bladeshaft Assy 36" 542 16 63-66 (2) Eng Pulley 8G 3.65" OD <u>Before Feb 2005:</u> 542 19 95-02 (4) V-Belt 3VX435 4-Band 542 19 93-62 (2) Blade Guard Attachment Kit <u>After Feb 2005:</u> 542 16 66-29 (4) V-Belt 3VX465 4-Band 542 19 96-89 (2) Blade Guard Attachment Kit | No Conversion Required; configured: - Blade Guard 4" Wide Bolt-On – 42" - Blade Guard Brace - (2) Bladeshaft Pulley 8G3VX6.4" OD - (2) Engine Pulley, 8G3VX3.65" OD - Flanges, 7.00" OD <u>Before Feb 2005:</u> 542 16 66-29 (4) V-Belt 3VX465 4-Band <u>After Feb 2005:</u> 542 19 97-64 (4) V-Belt 3VX485 4-Band |

FS8400 DIESEL – BLADE SIZE CONVERSION CHART

Note: Bladeshaft Spacers added & V-Belt changes after Feb. 2005, S/N: 428033

| 10.27.05 | Size To Convert To | | | |
|-------------------------|--------------------------------------------------------------------------------------------------------------------------------------------------------------------------------------------------------------------------------------------------------------------------------------------------------------------------------------------------------------------------------------------------------------------------------------------|-------------------------------------------------------------------------------------------------------------------------------------------------------------------------------------------------------------------------------------------------------------------------------------------------------------------------------------------------------------------------------------------------------|----------------------------------------------------------------------------------------------------------------------------------------------------------------------------------------------------------------------------------------------------------------------------------------------------------------------------------------------------------|-----------------------------------------------------------------------------------------------------------------------------------------------------------------------------------------------------------------------------------------------------------------------------------------------------------------------------------------------------------|
| Size To Convert From | 18" (450mm) | 26" (650mm) | 30" (750mm) | 36" (900mm) |
| 18" (450mm) | <p>No Conversion Required; configured: - Blade Guard 2" Wide Slip-On – 18" US - Blade Guard 3" Wide Slip-On – 18" EU - (1) Spade & Spacer - (4) V-Belts 3VX465 5-Band - (2) Bladeshaft Pulley 10G3VX4.12" OD - (2) Engine Pulley, 10G3VX4.75" OD - Flanges, 5.00" OD <u>Before Feb. 2005</u> (4) 542 19 95-54 3VX430 5-Band</p> | <p>542 19 81-64 Blade Guard 3" Wide S/O 542 19 95-81 Bladeshaft Assy 26/30" 542 19 95-31 (2) Eng Pulley 10G 4.12" OD (Same 3VX465 V-Belts used)</p> | <p>542 19 81-65 Blade Guard 3" Wide S/O 542 19 95-81 Bladeshaft Assy 26/30" 542 19 95-30 (2) Eng Pulley 10G 3.65" OD 542 19 97-66 (4) V-Belt 3VX450 5-Band</p> | <p>542 19 81-66 Blade Guard 3" Wide S/O 542 19 96-98 Blade Guard Attachment Kit 542 19 95-82 Bladeshaft Assy 36" 542 19 95-30 (2) Eng Pulley 10G 3.65" OD (Same 3VX465 V-Belts used)</p> |
| 26" (650mm) | <p>542 19 81-63 Blade Guard 2" W S/O - US 542 19 97-78 Blade Guard 3" W S/O - EU 542 19 95-80 Bladeshaft Assy 18" 542 19 95-32 (2) Eng Pulley 10G 4.75" OD 542 19 97-00 (4) V-Belt 3VX465 5-Band</p> | <p>No Conversion Required; configured: - Blade Guard 3" Wide Slip-On – 26" - (1) Spade & Spacer - (4) V-Belt 3VX465 5-Band - (2) Engine Pulley 10G3VX4.12" OD - (2) Bladeshaft Pulley 10G3VX4.75" OD - Flanges, 5.00" <u>Before Feb. 2005</u> (4) 542 19 95-54 3VX430 5-Band</p> | <p>542 19 81-65 Blade Guard 3" Wide S/O 542 19 95-30 (2) Eng Pulley 10G 3.65" OD 542 19 97-66 (4) V-Belt 3VX450 5-Band</p> | <p>542 19 81-66 Blade Guard 3" Wide S/O 542 19 96-98 Blade Guard Attachment Kit 542 19 95-82 Bladeshaft Assy 36" 542 19 95-30 (2) Eng Pulley 10G 3.65" OD (Same 3VX465 V-Belts used)</p> |
| 30" (750mm) | <p>542 19 81-63 Blade Guard 2" W S/O - US 542 19 97-78 Blade Guard 3" W S/O - EU 542 19 95-80 Bladeshaft Assy 18" 542 19 95-32 (2) Eng Pulley 10G 4.75" OD 542 19 97-00 (4) V-Belt 3VX465 5-Band</p> | <p>542 19 81-64 Blade Guard 3" Wide S/O 542 19 95-81 Bladeshaft Assy 26/30" 542 19 97-00 (4) V-Belt 3VX465 5-Band</p> | <p>No Conversion Required; configured: - Blade Guard 3" Wide Slip-On - 30" - (1) Spade & Spacer - (4) V-Belt 3VX450 5-Band - (2) Engine Pulley 10G3VX3.65" OD - (2) Bladeshaft Pulley 10G3VX4.75" - Flanges, 5.00" OD <u>Before Feb. 2005</u> (4) 542 19 95-54 3VX465 5-Band</p> | <p>542 19 81-66 Blade Guard 3" Wide S/O 542 19 96-98 Blade Guard Attachment Kit 542 19 95-82 Bladeshaft Assy 36" 542 19 97-00 (4) V-Belt 3VX465 5-Band</p> |
| 36" (900mm) | <p>542 19 81-63 Blade Guard 2" W S/O - US 542 19 97-78 Blade Guard 3" W S/O - EU 542 19 95-80 Bladeshaft Assy 18" 542 19 95-32 (2) Eng Pulley 10G 4.75" OD 542 19 97-00 (4) V-Belt 3VX465 5-Band</p> | <p>542 19 81-64 Blade Guard 3" Wide S/O 542 19 95-81 Bladeshaft Assy 26/30" 542 19 95-31 (2) Eng Pulley 10G 4.12" OD</p> | <p>542 19 81-65 Blade Guard 3" Wide S/O 542 19 95-81 Bladeshaft Assy 26/30" 542 19 95-30 (2) Eng Pulley 10G 3.65" OD 542 19 97-66 (4) V-Belt 3VX450 5-Band Note: Remove Rear Slip-On Spade to allow attachment of 30" Guard</p> | <p>No Conversion Required; configured: - Blade Guard 3" Wide Slip-On - 36" - (2) Spades & Spacers - (4) V-Belt 3VX465 5-Band - (2) Engine Pulley 10G 3VX3.65" OD - (2) Bladeshaft Pulley 10G3VX 5.60" OD - Flanges, 6.00" OD <u>Before Feb. 2005</u> (4) 542 19 95-68 3VX435 5-Band</p> |
| 42" (1000mm) | <p>542 19 81-63 Blade Guard 2" W S/O - US 542 19 97-78 Blade Guard 3" W S/O - EU 542 19 96-98 Blade Guard Attachment Kit 542 19 95-80 Bladeshaft Assy 18" 542 19 95-32 (2) Eng Pulley 10G 4.75" OD 542 19 97-00 (4) V-Belt 3VX465 5-Band</p> | <p>542 19 81-64 Blade Guard 3" Wide S/O 542 19 96-98 Blade Guard Attachment Kit 542 19 95-81 Bladeshaft Assy 26/30" 542 19 95-31 (2) Eng Pulley 10G 4.12" OD 542 19 97-00 (4) V-Belt 3VX465 5-Band</p> | <p>542 19 81-65 Blade Guard 3" Wide S/O 542 19 96-98 Blade Guard Attachment Kit 542 19 95-81 Bladeshaft Assy 26/30" 542 19 97-66 (4) V-Belt 3VX450 5-Band</p> | <p>542 19 81-66 Blade Guard 3" Wide S/O 542 19 96-98 (2) Blade Guard Attachment Kit 542 19 95-82 Bladeshaft Assy 36" 542 19 97-00 (4) V-Belt 3VX465 5-Band</p> |
| 48" (1200mm) | <p>542 19 81-63 Blade Guard 2" W S/O - US 542 19 97-78 Blade Guard 3" W S/O - EU 542 19 95-80 Bladeshaft Assy 18" 542 19 95-32 (2) Eng Pulley 10G 4.75" OD 542 19 97-00 (4) V-Belt 3VX465 5-Band 542 19 96-98 Blade Guard Attachment Kit 542 19 92-84 Flange Cover Note: Add (2) 542 19 96-92 Bladeshaft Spacers & (4) 542 19 96-91 M16x140 Bolts.</p> | <p>542 19 81-64 Blade Guard 3" Wide S/O 542 19 96-98 Blade Guard Attachment Kit 542 19 95-81 Bladeshaft Assy 26/30" 542 19 95-31 (2) Eng Pulley 10G 4.12" OD 542 19 97-00 (4) V-Belt 3VX465 5-Band 542 19 92-84 Flange Cover Note: Add (2) 542 19 96-92 Bladeshaft Spacers & (4) 542 19 96-91 M16x140 Bolts.</p> | <p>542 19 81-65 Blade Guard 3" Wide S/O 542 19 96-98 Blade Guard Attachment Kit 542 19 95-81 Bladeshaft Assy 26/30" 542 19 97-66 (4) V-Belt 3VX450 5-Band 542 19 92-84 Flange Cover 542 19 17-70 (2) Front Wheels 8.0" Note: Add (2) 542 19 96-92 Bladeshaft Spacers & (4) 542 19 96-91 M16x140 Bolts.</p> | <p>542 19 81-66 Blade Guard 3" Wide S/O 542 19 96-98 (2) Blade Guard Attachment Kit 542 19 95-82 Bladeshaft Assy 36" 542 19 97-00 (4) V-Belt 3VX465 5-Band 542 19 17-70 (2) Front Wheels 8.0" Note: Add (2) 542 19 96-92 Bladeshaft Spacers & (4) 542 19 96-91 M16x140 Bolts.</p> |
| 60" (1500mm) | <p>542 19 81-63 Blade Guard 2" W S/O - US 542 19 97-78 Blade Guard 3" W S/O - EU 542 19 96-98 Blade Guard Attachment Kit 542 19 95-80 Bladeshaft Assy 18" 542 19 95-32 (2) Eng Pulley 10G 4.75" OD 542 19 97-00 (4) V-Belt 3VX465 5-Band 542 19 92-84 Flange Cover 542 19 17-70 (2) Front Wheels 8.0" 542 19 92-80 Belt Guard LH 542 19 92-82 Belt Guard RH Note: Remove 60" Extension.</p> | <p>542 19 81-64 Blade Guard 3" Wide S/O 542 19 96-98 Blade Guard Attachment Kit 542 19 95-81 Bladeshaft Assy 26/30" 542 19 95-31 (2) Eng Pulley 10G 4.12" OD 542 19 97-00 (4) V-Belt 3VX465 5-Band 542 19 92-84 Flange Cover 542 19 17-70 (2) Front Wheels 8.0" 542 19 92-80 Belt Guard LH 542 19 92-82 Belt Guard RH Note: Remove 60" Extension.</p> | <p>542 19 81-65 Blade Guard 3" Wide S/O 542 19 96-98 Blade Guard Attachment Kit 542 19 95-81 Bladeshaft Assy 26/30" 542 19 97-66 (4) V-Belt 3VX450 5-Band 542 19 92-84 Flange Cover 542 19 17-70 (2) Front Wheels 8.0" 542 19 92-80 Belt Guard LH 542 19 92-82 Belt Guard RH Note: Remove 60" Extension.</p> | <p>542 19 81-66 Blade Guard 3" Wide S/O 542 19 96-98 (2) Blade Guard Attachment Kit 542 19 95-82 Bladeshaft Assy 36" 542 19 97-00 (4) V-Belt 3VX465 5-Band 542 19 92-84 Flange Cover 542 19 17-70 (2) Front Wheels 8.0" 542 19 92-80 Belt Guard LH 542 19 92-82 Belt Guard RH Note: Remove 60" Extension.</p> |

FS8400 DIESEL – BLADE SIZE CONVERSION CHART

Note: Bladeshift Spacers added & V-Belt changes after Feb. 2005, S/N: 428033

| 05.03.05 | Size To Convert To | | |
|-------------------------|-------------------------------------------------------------------------------------------------------------------------------------------------------------------------------------------------------------------------------------------------------------------------------------|---------------------------------------------------------------------------------------------------------------------------------------------------------------------------------------------------------------------------------------------------------------------------------------------------------------------------------------------------------------------------------------------------------|----------------------------------------------------------------------------------------------------------------------------------------------------------------------------------------------------------------------------------------------------------------------------------------|
| Size To Convert From | 42" (1000mm) | 48" (1200mm) | 60" (1500mm) |
| 18" (450mm) | 542 19 93-90 Blade Guard 4" Wide B/O 542 19 97-42 Bladeshift Assy 42" 542 19 95-30 (2) Eng Pulley 10G 3.65"OD 542 19 97-65 (4) V-Belts 3VX485 5-Band 542 19 61-72 Weight Kit - 2 Bars | 542 19 81-67 Blade Guard 4" Wide B/O 542 19 95-73 Blade Guard Attachment Kit 542 19 95-83 Bladeshift Assy 48" 542 19 95-30 (2) Eng Pulley 10G 3.65" OD 542 19 97-00 (4) 3VX465 V-Belt 5-Band 542 19 80-22 Weight Kit – 3 Bars 542 19 17-71 Front Wheels, 9.0" Note: Remove the (2) Bladeshift Spacers & use (4) 542 16 63-56 M16x100 Bolts. | 542 19 96-25 Conversion Kit 60" 542 19 95-30 (2) Eng Pulley 10G 3.65"OD |
| 26" (650mm) | 542 19 93-90 Blade Guard 4" Wide B/O 542 19 97-42 Bladeshift Assy 42" 542 19 95-30 (2) Eng Pulley 10G 3.65"OD 542 19 97-65 (4) V-Belts 3VX485 5-Band 542 19 61-72 Weight Kit - 2 Bars | 542 19 81-67 Blade Guard 4" Wide B/O 542 19 95-73 Blade Guard Attachment Kit 542 19 95-83 Bladeshift Assy 48" 542 19 95-30 (2) Eng Pulley 10G 3.65" OD 542 19 97-00 (4) 3VX465 V-Belt 5-Band 542 19 80-22 Weight Kit – 3 Bars 542 19 17-71 Front Wheels, 9.0" Note: Remove the (2) Bladeshift Spacers & use (4) 542166356 M16x100 Bolts. | 542 19 96-25 Conversion Kit 60" 542 19 95-30 (2) Eng Pulley 10G 3.65"OD |
| 30" (750mm) | 542 19 93-90 Blade Guard 4" Wide B/O 542 19 97-42 Bladeshift Assy 42" 542 19 97-65 (4) V-Belts 3VX485 5-Band 542 19 61-72 Weight Kit - 2 Bars | 542 19 81-67 Blade Guard 4" Wide B/O 542 19 95-73 Blade Guard Attachment Kit 542 19 95-83 Bladeshift Assy 48" 542 19 95-30 (2) Eng Pulley 10G 3.65" OD 542 19 97-00 (4) 3VX465 V-Belt 5-Band 542 19 80-22 Weight Kit – 3 Bars 542 19 17-71 Front Wheels, 9.0" Note: Remove the (2) Bladeshift Spacers & use (4) 542 16 63-56 M16x100 Bolts. | 542 19 96-25 Conversion Kit 60" |
| 36" (900mm) | 542 19 93-90 Blade Guard 4" Wide B/O 542 19 97-42 Bladeshift Assy 42" 542 19 97-65 (4) V-Belts 3VX485 5-Band 542 19 61-72 Weight Kit - 2 Bars | 542 19 81-67 Blade Guard 4" Wide B/O 542 19 95-73 Blade Guard Attachment Kit 542 19 95-83 Bladeshift Assy 48" 542 19 95-30 (2) Eng Pulley 10G 3.65" OD 542 19 97-00 (4) 3VX465 V-Belt 5-Band 542 19 80-22 Weight Kit – 3 Bars 542 19 17-71 Front Wheels, 9.0" Note: Remove the (2) Bladeshift Spacers & use (4) 542 16 63-56 M16x100 Bolts.. | 542 19 96-25 Conversion Kit 60" |
| 42" (1000mm) | No Conversion Required; configured: - Blade Guard 4" Wide Bolt-On - 42" - Blade Guard Brace - (4) V-Belt 3VX485 5-Band - (2) Eng Pulley 10G3VX3.65"OD - (2) Bladeshift Pulley 10G3VX9.3"OD - Flanges, 7.0" OD None produced before Feb. 2005 | 542 19 81-67 Blade Guard 4" Wide B/O 542 19 95-73 Blade Guard Attachment Kit 542 19 95-83 Bladeshift Assy 48" 542 19 95-30 (2) Eng Pulley 10G 3.65" OD 542 19 97-00 (4) 3VX465 V-Belt 5-Band 542 19 80-22 Weight Kit – 3 Bars 542 19 17-71 Front Wheels, 9.0" Note: Remove the (2) Bladeshift Spacers & use (4) 542 16 63-56 M16x100 Bolts. | 542 19 96-25 Conversion Kit 60" |
| 48" (1200mm) | 542 19 93-90 Blade Guard 4" Wide B/O 542 19 97-42 Bladeshift Assy 42" 542 19 97-65 (4) V-Belts 3VX485 5-Band 542 19 92-84 Flange Cover Note: Add (2) 542 19 96-92 Bladeshift Spacers & (4) 542 19 96-91 M16x140 Bolts. | No Conversion Required; configured: - Blade Guard 4" Wide Bolt-On – 48" - Blade Guard Brace - (4) V-Belt 3VX465 5-Band - (2) Engine Pulley 10G3VX3.65"OD - (2) Bladeshift Pulley 10G3VX4.12"OD - Flanges, 8" OD - Front Wheels, 9.0" OD x 3.0" Wide Note: Bladeshift Spacers are NOT USED on 48" saw. None produced before Feb. 2005 | 542 19 96-25 Conversion Kit 60" Note: Add (2) 542199692 Bladeshift Spacers & (4) 542199691 M16x140 Bolts. |
| 60" (1500mm) | 542 19 93-90 Blade Guard 4" Wide B/O 542 19 97-42 Bladeshift Assy 42" 542 19 97-65 (4) V-Belts 3VX485 5-Band 542 19 92-84 Flange Cover 542 19 92-80 Belt Guard LH 542 19 92-82 Belt Guard RH Note: Remove 60" Extension. | 542 19 81-67 Blade Guard 4" Wide B/O 542 19 95-73 Blade Guard Attachment Kit 542 19 95-83 Bladeshift Assy 48" 542 19 97-00 (4) V-Belt 3VX465 5-Band 542 19 92-84 Flange Cover 542 19 17-70 (2) Wheels, Front 8.0" 542 19 92-80 Belt Guard LH 542 19 92-82 Belt Guard RH Note: Remove 60" Extension, the (2) Bladeshift Spacers & use (4) 542 16 63-56 M16x100 Bolts. | No Conversion Required; configured: - Blade Guard 4" Wide Bolt-On - 60" - Blade Guard Brace - (4) V-Belt 3VX500 5-Band - (2) Engine Pulley 10G3VX3.65" OD - (2) Bladeshift Pulley 10G3VX9.3" OD - Flanges, 10.0" None produced before Feb. 2005 |

FS6600 DIESEL - TABLA DE CONVERSIONES DE TAMAÑOS DE LA HOJA

Nota: Cambios a los espaciadores y la correa trapezoidal del eje de la hoja después de Feb. 2005, N° de serie: 428033

| 05.03.05 | Tamaño para convertir a | | |
|----------------------------------------------------------------------------------|-----------------------------------------------------------------------------------------------------------------------------------------------------------------------------------------------------------------------------------------------------------------------------------------------------------------------------------------------------------------------------------------------------------------------------------------------------------------------------------------------------------------|-------------------------------------------------------------------------------------------------------------------------------------------------------------------------------------------------------------------------------------------------------------------------------------------------------------------------------------------------------------------------------------------------------------------------------------------------------------|-------------------------------------------------------------------------------------------------------------------------------------------------------------------------------------------------------------------------------------------------------------------------------------------------------------------------------------------------------------------------------------------------------------------------------------------------------------|
| Tamaño para convertir de | 14 pulgadas / 18 pulgadas (350 mm / 450 mm) | 26 pulgadas (650 mm) | 30 pulgadas (750 mm) |
| 14 pulgadas (350 mm) & 18 pulgadas (450 mm) | <p>No requiere conversión; configurada: - Protector de hoja deslizante, 2 pulg ancho, – 18 pulg EE.UU. - Protector de hoja deslizante, 3 pulg ancho, – 18 pulg UE - (1) Placa de soporte y espaciador - (2) Poleas de eje de hoja 8G3VX4.12 pulg D.E. - (2) Poleas motor 8G3VX4.75 pulg D.E. - Bridas, 5.00 pulg D.E.</p> <p>- Antes de Feb. 2005: (4) Correas trapezoidales 3VX430 4-canales - Después de Feb. 2005: (4) Correas trapezoidales 3VX465 4-canales</p> | <p>542 19 81-64 Protector de hoja deslizante 3 pulg ancho</p> <p>542 19 94-67 Conjunto de eje de hoja 26/30 pulg 542 19 18-95 (2) Poleas motor 8G 4.12 pulg D.E.</p> <p>Antes de Feb. 2005: 542 16 63-63 (4) Correa trapezoidal 3VX430 4-canales Después de Feb. 2005: 542 16 66-29 (4) Correa trapezoidal 3VX465 4-canales</p> | <p>542 19 81-65 Protector de hoja deslizante 3 pulg ancho</p> <p>542 19 94-67 Conjunto de eje de hoja 26/30 pulg 542 16 63-66 (2) Poleas motor 8G 3.65 pulg D.E.</p> <p>Antes de Feb. 2005: 542 16 63-63 (4) Correa trapezoidal 3VX430 4-canales Después de Feb. 2005: 542 16 63-62 (4) Correa trapezoidal 3VX450 4-canales</p> |
| 26 pulgadas (650 mm) | <p>542 19 81-63 Protector de hoja deslizante 2 pulg ancho-EE.UU. 542 19 97-78 Protector de hoja deslizante 3 pulg ancho-UE</p> <p>542 19 94-66 Conjunto de eje de hoja 18 pulg 542 16 63-65 (2) Poleas motor 8G 4.75 pulg D.E.</p> <p>Antes de Feb. 2005: 542 16 63-63 (4) Correa trapezoidal 3VX430 4-canales Después de Feb. 2005: 542 16 66-29 (4) Correa trapezoidal 3VX465 4-canales</p> | <p>No requiere conversión; configurada: - Protector de hoja, 3 pulg ancho, deslizante - 26 pulg - (1) Placa de soporte y espaciador - (2) Poleas de eje de hoja 8G3VX4.75 pulg D.E. - (2) Poleas motor 8G3VX4.12 pulg D.E. - Bridas, 5.00 pulg D.E.</p> <p>- Antes de Feb. 2005: (4) Correas trapezoidales 3VX430 4-canales - Después de Feb. 2005: (4) Correas trapezoidales 3VX465 4-canales</p> | <p>542 19 81-65 Protector de hoja deslizante 3 pulg ancho</p> <p>542 16 63-66 (2) Poleas motor 8G 3.65 pulg D.E.</p> <p>Antes de Feb. 2005: 542 16 63-63 (4) Correa trapezoidal 3VX430 4-canales Después de Feb. 2005: 542 16 63-62 (4) Correa trapezoidal 3VX450 4-canales</p> |
| 30 pulgadas (750 mm) | <p>542 19 81-63 Protector de hoja deslizante 2 pulg ancho-EE.UU. 542 19 97-78 Protector de hoja deslizante 3 pulg ancho-U</p> <p>542 19 94-66 Conjunto de eje de hoja 18 pulg 542 16 63-65 (2) Poleas motor 8G 4.75 pulg D.E.</p> <p>Antes de Feb. 2005: 542 16 63-63 (4) Correa trapezoidal 3VX430 4-canales Después de Feb. 2005: 542 16 66-29 (4) Correa trapezoidal 3VX465 4-canales</p> | <p>542 19 81-64 Protector de hoja deslizante 3 pulg ancho</p> <p>542 19 18-95 (2) Poleas motor 8G 4.12 pulg D.E.</p> <p>Antes de Feb. 2005: 542 16 63-63 (4) Correa trapezoidal 3VX430 4-canales Después de Feb. 2005: 542 16 66-29 (4) Correa trapezoidal 3VX465 4-canales</p> | <p>No requiere conversión; configurada: - Protector de hoja, 3 pulg ancho, deslizante - 30 pulg - (1) Placa de soporte y espaciador - (2) Poleas de eje de hoja 8G3VX4.75 pulg D.E. - (2) Poleas motor 8G3VX3.65 pulg D.E. - Bridas, 5.00 pulg D.E.</p> <p>- Antes de Feb. 2005: (4) Correas trapezoidales 3VX430 4-canales - Después de Feb. 2005: (4) Correas trapezoidales 3VX450 4-canales</p> |
| 36 pulgadas (900 mm) | <p>542 19 81-63 Protector de hoja deslizante 2 pulg ancho-EE.UU. 542 19 97-78 Protector de hoja deslizante 3 pulg ancho-UE</p> <p>542 19 94-66 Conjunto de eje de hoja 18 pulg 542 16 63-65 (2) Poleas motor 8G 4.75 pulg D.E.</p> <p>Antes de Feb. 2005: 542 16 63-63 (4) Correa trapezoidal 3VX430 4-canales Después de Feb. 2005: 542 16 66-29 (4) Correa trapezoidal 3VX465 4-canales</p> | <p>542 19 81-64 Protector de hoja deslizante 3 pulg ancho</p> <p>Nota: Quitar la placa de soporte deslizante trasera para poder instalar el protector de 26 pulg. 542 19 94-67 Conjunto de eje de hoja 26/30 pulg 542 19 18-95 (2) Poleas motor 8G 4.12 pulg D.E.</p> <p>Antes de Feb. 2005: 542 16 63-63 (4) Correa trapezoidal 3VX430 4-canales Después de Feb. 2005: 542 16 66-29 (4) Correa trapezoidal 3VX465 4-canales</p> | <p>542 19 81-65 Protector de hoja deslizante 3 pulg ancho</p> <p>Nota: Quitar la placa de soporte deslizante trasera para poder instalar el protector de 30 pulg. 542 19 94-67 Conjunto de eje de hoja 26/30 pulg 542 16 63-66 (2) Poleas motor 8G 3.65 pulg D.E.</p> <p>Antes de Feb. 2005: 542 16 63-63 (4) Correa trapezoidal 3VX430 4-canales Después de Feb. 2005: 542 16 63-62 (4) Correa trapezoidal 3VX450 4-canales</p> |
| 42 pulgadas (1000 mm) | <p>542 19 81-63 Protector de hoja deslizante 2 pulg ancho-EE.UU. 542 19 97-78 Protector de hoja deslizante 3 pulg ancho-UE</p> <p>542 19 94-66 Conjunto de eje de hoja 18 pulg 542 16 63-65 (2) Poleas motor 8G 4.75 pulg D.E.</p> <p>Antes de Feb. 2005: 542 16 63-63 (4) Correa trapezoidal 3VX430 4-canales Después de Feb. 2005: 542 16 66-29 (4) Correa trapezoidal 3VX465 4-canales</p> | <p>542 19 81-64 Protector de hoja deslizante 3 pulg ancho 542 19 93-62 Protector de hoja, Kit de acoplamiento</p> <p>542 19 94-67 Conjunto de eje de hoja 26/30 pulg 542 19 18-95 (2) Poleas motor 8G 4.12 pulg D.E.</p> <p>Antes de Feb. 2005: 542 16 63-63 (4) Correa trapezoidal 3VX430 4-canales Después de Feb. 2005: 542 16 66-29 (4) Correa trapezoidal 3VX465 4-canales</p> | <p>542 19 81-65 Protector de hoja deslizante 3 pulg ancho 542 19 93-62 Protector de hoja, Kit de acoplamiento</p> <p>542 19 94-67 Conjunto de eje de hoja 26/30 pulg 542 16 63-66 (2) Poleas motor 8G 3.65 pulg D.E.</p> <p>Antes de Feb. 2005: 542 16 63-63 (4) Correa trapezoidal 3VX430 4-canales Después de Feb. 2005: 542 16 63-62 (4) Correa trapezoidal 3VX450 4-canales</p> |

FS6600 DIESEL - TABLA DE CONVERSIONES DE TAMAÑOS DE LA HOJA
Nota: Cambios a los espaciadores y la correa trapezoidal del eje de la hoja
después de Feb. 2005, N° de serie: 428033

| 10.27.05 | Tamaño para convertir a | |
|--------------------------------------------------------------------------------------------|--------------------------------------------------------------------------------------------------------------------------------------------------------------------------------------------------------------------------------------------------------------------------------------------------------------------------------------------------------------------------------------------------------------------------------------------------------------------|---------------------------------------------------------------------------------------------------------------------------------------------------------------------------------------------------------------------------------------------------------------------------------------------------------------------------------------------------------------------------------------------------------------------------------------|
| Tamaño para convertir de | 36 pulgadas (900 mm) | 42 pulgadas (1000 mm) |
| 14 pulgadas (350 mm) & 18 pulgadas (450 mm) | 542 19 81-66 Protector de hoja deslizante 3 pulg ancho 542 19 94-69 Conjunto de eje de hoja 36 pulg 542 16 63-66 (2) Poleas motor 8G 3.65 pulg D.E. Antes de Feb. 2005: 542 19 95-02 (4) Correa trapezoidal 3VX435 4-canales 542 19 93-62 Protector de hoja, Kit de acoplamiento Después de Feb. 2005: 542 16 66-29 (4) Correa trapezoidal 3VX465 4-canales 542 19 96-98 Protector de hoja, Kit de acoplamiento | 542 19 93-90 Protector hoja empinado 4 pulg ancho Nota: Quitar las placas protectoras deslizantes para poder instalar el protector de 42 pulg. 542 19 94-70 Conjunto de eje de hoja 42 pulg 542 16 63-66 (2) Poleas motor 8G 3.65 pulg D.E. Antes de Feb. 2005: 542 16 66-29 (4) Correa trapezoidal 3VX465 4-canales Después de Feb. 2005: 542 19 97-64 (4) Correa trapezoidal 3VX485 4-canales |
| 26 pulgadas (650 mm) | 542 19 81-66 Protector de hoja deslizante 3 pulg ancho 542 19 94-69 Conjunto de eje de hoja 36 pulg 542 16 63-66 (2) Poleas motor 8G 3.65 pulg D.E. Antes de Feb. 2005: 542 19 95-02 (4) Correa trapezoidal 3VX435 4-canales 542 19 93-62 Protector de hoja, Kit de acoplamiento Después de Feb. 2005: 542 16 66-29 (4) Correa trapezoidal 3VX465 4-canales 542 19 96-98 Protector de hoja, Kit de acoplamiento | 542 19 93-90 Protector hoja empinado 4 pulg ancho Nota: Quitar las placas de soporte deslizantes para poder instalar el protector de 42 pulg. 542 19 94-70 Conjunto de eje de hoja 42 pulg 542 16 63-66 (2) Poleas motor 8G 3.65 pulg D.E. Antes de Feb. 2005: 542 16 66-29 (4) Correa trapezoidal 3VX465 4-canales Después de Feb. 2005: 542 19 97-64 (4) Correa trapezoidal 3VX485 4-canales |
| 30 pulgadas (750 mm) | 542 19 81-66 Protector de hoja deslizante 3 pulg ancho 542 19 94-69 Conjunto de eje de hoja 36 pulg 542 16 63-66 (2) Poleas motor 8G 3.65 pulg D.E. Antes de Feb. 2005: 542 19 95-02 (4) Correa trapezoidal 3VX435 4-canales 542 19 93-62 Protector de hoja, Kit de acoplamiento Después de Feb. 2005: 542 16 66-29 (4) Correa trapezoidal 3VX465 4-canales 542 19 96-98 Protector de hoja, Kit de acoplamiento | 542 19 93-90 Protector hoja empinado 4 pulg ancho Nota: Quitar las placas de soporte para poder instalar el protector de 42 pulg. 542 19 94-70 Conjunto de eje de hoja 42 pulg 542 16 63-66 (2) Poleas motor 8G 3.65 pulg D.E. Antes de Feb. 2005: 542 16 66-29 (4) Correa trapezoidal 3VX465 4-canales Después de Feb. 2005: 542 19 97-64 (4) Correa trapezoidal 3VX485 4-canales |
| 36 pulgadas (900 mm) | No requiere conversión; configurada: - Protector de hoja, 3 pulg ancho, deslizante - 36 pulg - (2) Placas de soporte y espaciadores - (2) Poleas de eje de hoja 8G3VX5.60 pulg D.E. - (2) Poleas motor 8G3VX3.65 pulg D.E. - Bridas, 6.00 pulg D.E. Antes de Feb. 2005: 542 19 95-02 (4) Correa trapezoidal 3VX435 4-canales Después de Feb. 2005: 542 16 66-29 (4) Correa trapezoidal 3VX465 4-canales | 542 19 93-90 Protector hoja empinado 4 pulg ancho Nota: Quitar las placas de soporte deslizantes para poder instalar el protector de 42 pulg. 542 19 94-70 Conjunto de eje de hoja 42 pulg 542 16 63-66 (2) Poleas motor 8G 3.65 pulg D.E. Antes de Feb. 2005: 542 16 66-29 (4) Correa trapezoidal 3VX465 4-canales Después de Feb. 2005: 542 19 97-64 (4) Correa trapezoidal 3VX485 4-canales |
| 42 pulgadas (1000 mm) | 542 19 81-66 Protector de hoja deslizante 3 pulg ancho 542 19 94-69 Conjunto de eje de hoja 36 pulg 542 16 63-66 (2) Poleas motor 8G 3.65 pulg D.E. Antes de Feb. 2005: 542 19 95-02 (4) Correa trapezoidal 3VX435 4-canales 542 19 93-62 (2) Protector de hoja, Kit de acoplamiento Después de Feb. 2005: 542 16 66-29 (4) Correa trapezoidal 3VX465 4-canales 542 19 96-98 (2) Protector de hoja, Kit de acoplamiento | No requiere conversión; configurada: - Protector de hoja empinado, 4 pulg ancho - 42 pulg - Abrazadera protector hoja - (2) Poleas de eje de hoja 8G3VX6.4 pulg D.E. - (2) Poleas motor, 8G3VX3.65 pulg D.E. - Bridas, 7.00 pulg D.E. Antes de Feb. 2005: 542 16 66-29 (4) Correa trapezoidal 3VX465 4-canales Después de Feb. 2005: 542 19 97-64 (4) Correa trapezoidal 3VX485 4-canales |

FS8400 DIESEL - TABLA DE CONVERSIONES DE TAMAÑOS DE LA HOJA

Nota: Espaciadores añadidos y cambios a la correa trapezoidal del eje de la hoja después de Feb. 2005, N° de serie: 428033

| 10.27.05 | Tamaño para convertir a | | | |
|------------------------------|----------------------------------------------------------------------------------------------------------------------------------------------------------------------------------------------------------------------------------------------------------------------------------------------------------------------------------------------------------------------------------------------------------------------------------------------------------------------------------------------------------------------------------------------------------------------------------------------------------------------------------------|---------------------------------------------------------------------------------------------------------------------------------------------------------------------------------------------------------------------------------------------------------------------------------------------------------------------------------------------------------------------------------------------------------------------------------------------------------------------------------------------------------------------------------------------------------|------------------------------------------------------------------------------------------------------------------------------------------------------------------------------------------------------------------------------------------------------------------------------------------------------------------------------------------------------------------------------------------------------------------------------------------------------------------------------------------------|----------------------------------------------------------------------------------------------------------------------------------------------------------------------------------------------------------------------------------------------------------------------------------------------------------------------------------------------------------------------------------------------------------------------------------------------------------------------------------------------------|
| Tamaño para convertir de | 18 pulgadas (450 mm) | 26 pulgadas (650 mm) | 30 pulgadas (750 mm) | 36 pulgadas (900 mm) |
| 18 pulgadas (450 mm) | <p>No requiere conversión; configurada:</p> <ul style="list-style-type: none"> - Protector de hoja deslizante, 2 pulg ancho - 18 pulg EE.UU. - Protector de hoja deslizante, 3 pulg ancho - 18 pulg UE - (1) Placa de soporte y espaciador - (4) Correas trapezoidales 3VX465 5-canales - (2) Poleas de eje de hoja 10G 4.12 pulg D.E. - (2) Poleas motor, 10G 4.75 pulg D.E. - Bridas, 5.00 pulg D.E. Antes de Feb. 2005 (4) 542 19 95-54 3VX430 5-canales | <p>542 19 81-64 Protector de hoja deslizante 3 pulg ancho</p> <p>542 19 95-81 Conjunto de eje de hoja de 26/30 pulg</p> <p>542 19 95-31 (2) Poleas motor 10G 4.12 pulg D.E.</p> <p>(Se utilizan las mismas correas trap. 3VX465)</p> | <p>542 19 81-65 Protector de hoja deslizante 3 pulg ancho</p> <p>542 19 95-81 Conjunto de eje de hoja de 26/30 pulg</p> <p>542 19 95-30 (2) Poleas motor 10G 3.65 pulg D.E.</p> <p>542 19 97-66 (4) Correa trapezoidal 3VX450 5-canales</p> | <p>542 19 81-66 Protector de hoja deslizante 3 pulg ancho</p> <p>542 19 96-98 Protector de hoja, Kit de acoplamiento</p> <p>542 19 95-82 Conjunto de eje de hoja de 36 pulg</p> <p>542 19 95-30 (2) Poleas motor 10G 3.65 pulg D.E.</p> <p>(Se utilizan las mismas correas trap. 3VX465)</p> |
| 26 pulgadas (650 mm) | <p>542 19 81-63 Protector de hoja deslizante 2 pulg ancho - EE.UU.</p> <p>542 19 97-78 Protector de hoja deslizante 3 pulg ancho - UE</p> <p>542 19 95-80 Conjunto de eje de hoja 18 pulg</p> <p>542 19 95-32 (2) Poleas motor 10G 4.75 pulg D.E.</p> <p>542 19 97-29 (4) Correa trapezoidal 3VX465 5-canales</p> | <p>No requiere conversión; configurada: -</p> <ul style="list-style-type: none"> - Protector de hoja deslizante, 3 pulg ancho - 26 pulg - (1) Placa de soporte y espaciador - (4) Correas trapezoidales 3VX465 5-canales - (2) Poleas motor, 10G 4.12 pulg D.E. - (2) Poleas de eje de hoja 10G 4.75 pulg D.E. - Bridas, 5.00 pulg Antes de Feb. 2005 (4) 542 19 95-54 3VX430 5-canales | <p>542 19 81-65 Protector de hoja deslizante 3 pulg ancho</p> <p>542 19 95-30 (2) Poleas motor 10G 3.65 pulg D.E.</p> <p>542 19 97-66 (4) Correa trapezoidal 3VX450 5-canales</p> | <p>542 19 81-66 Protector de hoja deslizante 3 pulg ancho</p> <p>542 19 96-98 Protector de hoja, Kit de acoplamiento</p> <p>542 19 95-82 Conjunto de eje de hoja de 36 pulg</p> <p>542 19 95-30 (2) Poleas motor 10G 3.65 pulg D.E.</p> <p>(Se utilizan las mismas correas trap. 3VX465)</p> |
| 30 pulgadas (750 mm) | <p>542 19 81-63 Protector de hoja deslizante 2 pulg ancho - EE.UU.</p> <p>542 19 97-78 Protector de hoja deslizante 3 pulg ancho - UE</p> <p>542 19 95-80 Conjunto de eje de hoja 18 pulg</p> <p>542 19 95-32 (2) Poleas motor 8G 4.75 pulg D.E.</p> <p>542 19 97-29 (4) Correa trapezoidal 3VX465 5-canales</p> | <p>542 19 81-64 Protector de hoja deslizante 3 pulg ancho</p> <p>542 19 95-81 Conjunto de eje de hoja de 26/30 pulg</p> <p>542 19 97-00 (4) Correa trapezoidal 3VX465 5-canales</p> | <p>No requiere conversión; configurada: -</p> <ul style="list-style-type: none"> - Protector de hoja deslizante, 3 pulg ancho - 30 pulg - (1) Placa de soporte y espaciador - (4) Correas trapezoidales 3VX465 5-canales - (2) Poleas motor, 10G 3.65 pulg D.E. - (2) Poleas de eje de hoja 10G 4.75 pulg D.E. - Bridas, 5.00 pulg D.E. Antes de Feb. 2005 (4) 542 19 95-54 3VX430 5-canales | <p>542 19 81-66 Protector de hoja deslizante 3 pulg ancho</p> <p>542 19 96-98 Protector de hoja, Kit de acoplamiento</p> <p>542 19 95-82 Conjunto de eje de hoja de 36 pulg</p> <p>542 19 97-00 (4) Correa trapezoidal 3VX465 5-canales</p> |
| 36 pulgadas (900 mm) | <p>542 19 81-63 Protector de hoja deslizante, 2 pulg ancho - EE.UU.</p> <p>542 19 97-78 Protector de hoja deslizante, 3 pulg ancho - UE</p> <p>542 19 95-80 Conjunto de eje de hoja 18 pulg</p> <p>542 19 95-32 (2) Poleas de motor 10G 4.75 pulg D.E.</p> <p>542 19 97-00 (4) Correas trapezoidales 3VX465 5-canales</p> | <p>542 19 81-64 Protector de hoja deslizante, 3 pulg ancho</p> <p>542 19 95-81 Conjunto de eje de hoja de 26/30 pulg</p> <p>542 19 95-31 (2) Poleas de motor 10G 4.12 pulg D.E.</p> | <p>542 19 81-65 Protector de hoja deslizante, 3 pulg ancho</p> <p>542 19 95-81 Conjunto de eje de hoja de 26/30 pulg</p> <p>542 19 95-30 (2) Poleas de motor 10G 3.65 pulg D.E.</p> <p>542 19 97-66 (4) Correa trapezoidal 3VX450 5-canales</p> <p>Nota: Quitar la pala deslizante trasera para permitir el acoplamiento de la hoja de 30 pulg.</p> | <p>No requiere conversión; configurada: -</p> <ul style="list-style-type: none"> - Protector de hoja deslizante, 3 pulg ancho - 36 pulg - (2) Placas y espaciadores - (4) Correas trapezoidales 3VX465 5-canales - (2) Poleas de motor 10G 3.65 pulg D.E. - (2) Poleas de eje de hoja 10G 5.60 pulg D.E. - Bridas, 6.00 pulg D.E. Antes de febrero de 2005 (4) 542 19 95-68 3VX435 5-canales |
| 42 pulgadas (1000 mm) | <p>542 19 81-63 Protector de hoja deslizante, 2 pulg ancho - EE.UU.</p> <p>542 19 97-78 Protector de hoja deslizante, 3 pulg ancho - UE</p> <p>542 19 96-98 Protector de hoja, Kit de acoplamiento</p> <p>542 19 95-80 Conj. de eje de hoja de 18 pulg</p> <p>542 19 95-32 (2) Poleas de motor 10G 4.75 pulg D.E.</p> <p>542 19 97-00 (4) Correas trapezoidales 3VX465 5-canales</p> | <p>542 19 81-64 Protector de hoja deslizante, 3 pulg ancho</p> <p>542 19 96-98 Protector de hoja, Kit de acoplamiento</p> <p>542 19 95-81 Conjunto de eje de hoja de 26/30 pulg</p> <p>542 19 95-31 (2) Poleas de motor 10G 4.12 pulg</p> <p>542 19 97-00 (4) Correas trapezoidales 3VX465 5-canales</p> | <p>542 19 81-65 Protector de hoja deslizante, 3 pulg ancho</p> <p>542 19 96-98 Protector de hoja, Kit de acoplamiento</p> <p>542 19 95-81 Conjunto de eje de hoja de 26/30 pulg</p> <p>542 19 97-66 (4) Correa trapezoidal 3VX450 5-canales</p> | <p>542 19 81-66 Protector de hoja deslizante, 3 pulg ancho</p> <p>542 19 96-98 (2) Protector de hoja, Kit de acoplamiento</p> <p>542 19 95-82 Conjunto de eje de hoja de 36 pulg</p> <p>542 19 97-00 (4) Correas trapezoidales 3VX465 5-canales</p> |
| 48 pulgadas (1200 mm) | <p>542 19 81-63 Protector de hoja deslizante, 2 pulg ancho - EE.UU.</p> <p>542 19 97-78 Protector de hoja deslizante, 3 pulg ancho - UE</p> <p>542 19 95-80 Conjunto de eje de hoja 18 pulg</p> <p>542 19 95-32 (2) Poleas de motor 10G 4.75 pulg</p> <p>542 19 97-00 (4) Correas trapezoidales 3VX465 5-canales</p> <p>542 19 96-98 Protector de hoja, Kit de acoplamiento</p> <p>542 19 92-84 Cubierta de brida</p> <p>Nota: Añadir (2) 542 19 96-92 espaciadores de eje de hoja y (4) pernos 542 19 96-91 M16x140.</p> | <p>542 19 81-64 Protector de hoja deslizante, 3 pulg ancho</p> <p>542 19 96-98 Protector de hoja, Kit de acoplamiento</p> <p>542 19 95-81 Conjunto de eje de hoja de 26/30 pulg</p> <p>542 19 95-31 (2) Poleas de motor 10G 4.12 pulg D.E.</p> <p>542 19 97-00 (4) Correas trapezoidales 3VX465 5-canales</p> <p>542 19 92-84 Cubierta de brida</p> <p>Nota: Añadir (2) 542 19 96-92 espaciadores de eje de hoja y (4) pernos 542 19 96-91 M16x140.</p> | <p>542 19 81-65 Protector de hoja deslizante, 3 pulg ancho</p> <p>542 19 96-98 Protector de hoja, Kit de acoplamiento</p> <p>542 19 95-81 Conjunto de eje de hoja de 26/30 pulg</p> <p>542 19 97-66 (4) Correa trapezoidal 3VX450 5-canales</p> <p>542 19 92-84 Cubierta de brida</p> <p>542 19 17-70 (2) Ruedas delanteras 8.0 pulg</p> <p>Nota: Añadir (2) 542 19 96-92 espaciadores de eje de hoja y (4) pernos 542 19 96-91 M16x140.</p> | <p>542 19 81-66 Protector de hoja deslizante, 3 pulg ancho</p> <p>542 19 96-98 (2) Protector de hoja, Kit de acoplamiento</p> <p>542 19 95-82 Conjunto de eje de hoja de 36 pulg</p> <p>542 19 97-00 (4) Correas trapezoidales 3VX465 5-canales</p> <p>542 19 92-84 Cubierta de brida</p> <p>542 19 17-70 (2) Ruedas delanteras 8.0 pulg</p> <p>Nota: Añadir (2) 542 19 96-92 espaciadores de eje de hoja y (4) pernos 542 19 96-91 M16x140.</p> |
| 60 pulgadas (1500 mm) | <p>542 19 81-63 Protector de hoja deslizante, 2 pulg ancho - EE.UU.</p> <p>542 19 97-78 Protector de hoja deslizante, 3 pulg ancho - UE</p> <p>542 19 96-98 Protector de hoja, Kit de acoplamiento</p> <p>542 19 95-80 Conjunto de eje de hoja de 18 pulg</p> <p>542 19 95-32 (2) Poleas de motor 10G 4.75 pulg D.E.</p> <p>542 19 97-00 (4) Correas trapezoidales 3VX465 5-canales</p> <p>542 19 92-84 Cubierta de brida</p> <p>542 19 17-70 (2) Ruedas delanteras 8.0 pulg</p> <p>542 19 92-80 Protector de correa izquierdo</p> <p>542 19 92-82 Protector de correa derecho</p> <p>Nota: Quitar la extensión de 60 pulg.</p> | <p>542 19 81-64 Protector de hoja deslizante, 3 pulg ancho</p> <p>542 19 96-98 Protector de hoja, Kit de acoplamiento</p> <p>542 19 95-81 Conjunto de eje de hoja de 26/30 pulg</p> <p>542 19 95-31 (2) Poleas de motor 10G 4.12 pulg</p> <p>542 19 97-00 (4) Correas trapezoidales 3VX465 5-canales</p> <p>542 19 92-84 Cubierta de brida</p> <p>542 19 17-70 (2) Ruedas delanteras 8.0 pulg</p> <p>542 19 92-80 Protector de correa izquierdo</p> <p>542 19 92-82 Protector de correa derecho</p> <p>Nota: Quitar la extensión de 60 pulg.</p> | <p>542 19 81-65 Protector de hoja deslizante, 3 pulg ancho</p> <p>542 19 96-98 Protector de hoja, Kit de acoplamiento</p> <p>542 19 95-81 Conjunto de eje de hoja de 26/30 pulg</p> <p>542 19 97-66 (4) Correa trapezoidal 3VX450 5-canales</p> <p>542 19 92-84 Cubierta de brida</p> <p>542 19 17-70 (2) Ruedas delanteras 8.0 pulg</p> <p>542 19 92-80 Protector de correa izquierdo</p> <p>542 19 92-82 Protector de correa derecho</p> <p>Nota: Quitar la extensión de 60 pulg.</p> | <p>542 19 81-66 Protector de hoja deslizante, 3 pulg ancho</p> <p>542 19 96-98 (2) Protector de hoja, Kit de acoplamiento</p> <p>542 19 95-82 Conjunto de eje de hoja de 36 pulg</p> <p>542 19 97-00 (4) Correas trapezoidales 3VX465 5-canales</p> <p>542 19 92-84 Cubierta de brida</p> <p>542 19 17-70 (2) Ruedas delanteras 8.0 pulg</p> <p>542 19 92-80 Protector de correa izquierdo</p> <p>542 19 92-82 Protector de correa derecho</p> <p>Nota: Quitar la extensión de 60 pulg.</p> |

FS8400 DIESEL - TABLA DE CONVERSIONES DE TAMAÑOS DE LA HOJA

Nota: Espaciadores añadidos y cambios a la correa trapezoidal del eje de la hoja después de Feb. 2005, N° de serie: 428033

| 05.03.05 | Tamaño para convertir a | | |
|------------------------------|--------------------------------------------------------------------------------------------------------------------------------------------------------------------------------------------------------------------------------------------------------------------------------------------------------------------------------------------------------------------------|-------------------------------------------------------------------------------------------------------------------------------------------------------------------------------------------------------------------------------------------------------------------------------------------------------------------------------------------------------------------------------------------------------------------------------------------------------------------------------------------------------------------------------------------|-------------------------------------------------------------------------------------------------------------------------------------------------------------------------------------------------------------------------------------------------------------------------------------------------------------------------------------------------------------------------|
| Tamaño para convertir de | 42 pulgadas (1000 mm) | 48 pulgadas (1200 mm) | 60 pulgadas (1500 mm) |
| 18 pulgadas (450 mm) | 542 19 93-90 Protector de hoja empemada, 4 pulg ancho 542 19 97-42 Conjunto de eje de hoja de 42 pulg 542 19 95-30 (2) Poleas de motor 10G 3.65 pulg D.E. 542 19 97-65 (4) Correas trapezoidales 3VX485 5-canales 542 19 61-72 Kit de peso - 2 Barras | 542 19 81-67 Protector de hoja empemada, 4 pulg ancho 542 19 95-73 Protector de hoja, Kit de acoplamiento 542 19 95-83 Conjunto de eje de hoja de 48 pulg 542 19 95-30 (2) Poleas de motor 10G 3.65 pulg D.E. 542 19 97-00 (4) 3VX465 Correas trapezoidales 5-canales 542 19 80-22 Kit de peso - 3 Barras 542 19 17-71 Ruedas delanteras, 9.0 pulg Nota: Quitar los (2) espaciadores de eje de hoja y usar (4) 542 16 63-56 M16x100 Bolts. | 542 19 96-25 Conversión Kit 60 pulg 542 19 95-30 (2) Poleas de motor 10G 3.65 pulg D.E. |
| 26 pulgadas (650 mm) | 542 19 93-90 Protector de hoja empemada, 4 pulg ancho 542 19 97-42 Conjunto de eje de hoja de 42 pulg 542 19 95-30 (2) Poleas de motor 10G 3.65 pulg D.E. 542 19 97-65 (4) Correas trapezoidales 3VX485 5-canales 542 19 61-72 Kit de peso - 2 Barras | 542 19 81-67 Protector de hoja empemada, 4 pulg ancho 542 19 95-73 Protector de hoja, Kit de acoplamiento 542 19 95-83 Conjunto de eje de hoja de 48 pulg 542 19 95-30 (2) Poleas de motor 10G 3.65 pulg D.E. 542 19 97-00 (4) 3VX465 Correas trapezoidales 5-canales 542 19 80-22 Kit de peso - 3 Barras 542 19 17-71 Ruedas delanteras, 9.0 pulg Nota: Quitar los (2) espaciadores de eje de hoja y usar (4) pernos 542 16 63-56 M16x100. | 542 19 96-25 Kit de conversión 542 19 95-30 (2) Poleas de motor 10G 3.65 pulg D.E. |
| 30 pulgadas (750 mm) | 542 19 93-90 Protector de hoja empemada, 4 pulg ancho 542 19 97-42 Conjunto de eje de hoja de 42 pulg 542 19 97-65 (4) Correas trapezoidales 3VX485 5-canales 542 19 61-72 Kit de peso - 2 Barras | 542 19 81-67 Protector de hoja empemada, 4 pulg ancho 542 19 95-73 Protector de hoja, Kit de acoplamiento 542 19 95-83 Conjunto de eje de hoja de 48 pulg 542 19 95-30 (2) Poleas de motor 10G 3.65 pulg D.E. 542 19 97-00 (4) 3VX465 Correas trapezoidales 5-canales 542 19 80-22 Kit de peso - 3 Barras 542 19 17-71 Ruedas delanteras, 9.0 pulg Nota: Quitar los (2) espaciadores de eje de hoja y usar (4) pernos 542 16 63-56 M16x100. | 542 19 96-25 Kit de conversión 60 pulg |
| 36 pulgadas (900 mm) | 542 19 93-90 Protector de hoja empemada, 4 pulg ancho 542 19 97-42 Conjunto de eje de hoja de 42 pulg 542 19 97-65 (4) Correas trapezoidales 3VX485 5-canales 542 19 61-72 Kit de peso - 2 Barras | 542 19 81-67 Protector de hoja empemada, 4 pulg ancho 542 19 95-73 Protector de hoja, Kit de acoplamiento 542 19 95-83 Conjunto de eje de hoja de 48 pulg 542 19 95-30 (2) Poleas de motor 10G 3.65 pulg D.E. 542 19 97-00 (4) 3VX465 Correas trapezoidales 5-canales 542 19 80-22 Kit de peso - 3 Barras 542 19 17-71 Ruedas delanteras, 9.0 pulg Nota: Quitar los (2) espaciadores de eje de hoja y usar (4) pernos 542 16 63-56 M16x100. | 542 19 96-25 Kit de conversión 60 pulg |
| 42 pulgadas (1000 mm) | No requiere conversión; configurada: - Protector de hoja empemada, 4 pulg ancho - 42 pulg - Soporte del protector de hoja - (4) Correas trapezoidales 3VX500 5-canales - (2) Poleas de motor 10G 3.65 pulg D.E. - (2) Poleas de eje de hoja 10G 9.3 pulg D.E. - Bridas, 7.0 pulg D.E. Ninguno producido antes del febrero de 2005 | 542 19 81-67 Protector de hoja empemada, 4 pulg ancho 542 19 95-73 Protector de hoja, Kit de acoplamiento 542 19 95-83 Conjunto de eje de hoja de 48 pulg 542 19 95-30 (2) Poleas de motor 10G 3.65 pulg D.E. 542 19 97-00 (4) 3VX465 Correas trapezoidales 5-canales 542 19 80-22 Kit de peso - 3 Barras 542 19 17-71 Ruedas delanteras, 9.0 pulg Nota: Quitar los (2) espaciadores de eje de hoja y usar (4) pernos 542 16 63-56 M16x100. | 542 19 96-25 Kit de conversión 60 pulg |
| 48 pulgadas (1200 mm) | 542 19 93-90 Protector de hoja empemada, 4 pulg ancho 542 19 97-42 Conjunto de eje de hoja de 42 pulg 542 19 97-65 (4) Correas trapezoidales 3VX485 5-canales 542 19 92-84 Cubierta de brida Nota: Añadir (2) 542 19 96-92 espaciadores de eje de hoja y (4) pernos 542 19 96-91 M16x140. | No requiere conversión; configurada: - Protector de hoja empemada, 4 pulg ancho - 48 pulg - Tirante del protector de hoja - (4) Correas trapezoidales 3VX465 5-canales - (2) Poleas de motor 10G 3.65 pulg D.E. - (2) Poleas de eje de hoja 10G 4.12 pulg D.E. - Bridas, 8 pulg D.E. - Ruedas delanteras, 9.0 pulg D.E. x 3.0 pulg Wide Nota: los espaciadores de eje de hoja NO SE USAN de 48 pulg. Ninguno producido antes de febrero de 2005 | 542 19 96-25 Kit de conversión 60 pulg Nota: Añadir (2) 542 19 96-92 espaciadores de eje de hoja y (4) pernos 542 19 96-91 M16x140. |
| 60 pulgadas (1500 mm) | 542 19 93-90 Protector de hoja empemada, 4 pulg ancho 542 19 97-42 Conjunto de eje de hoja de 42 pulg 542 19 97-65 (4) Correas trapezoidales 3VX485 5-canales 542 19 92-84 Cubierta de brida 542 19 92-80 Protector de correa izquierdo 542 19 92-82 Protector de correa derecho Nota: Quitar la extensión de 60 pulg. | 542 19 81-67 Protector de hoja empemada, 4 pulg ancho 542 19 95-73 Protector de hoja, Kit de acoplamiento 542 19 95-83 Conjunto de eje de hoja de 48 pulg 542 19 97-00 (4) Correas trapezoidales 3VX465 5-canales 542 19 92-84 Cubierta de brida 542 19 17-70 (2) Ruedas, delanteras de 8.0 pulg 542 19 92-80 Protector de correa izquierdo 542 19 92-82 Protector de correa derecho Nota: Quitar la extensión de 60 pulg, the (2) espaciadores de eje de hoja y usar (4) Pernos 542 16 63-56 M16x100. | No requiere conversión; configurada: - Protector de hoja empemada, 4 pulg ancho - 60 pulg - Soporte de protector de hoja - (4) Correas trapezoidales 3VX530 5-canales - (2) Poleas de motor 10G3VX3.65 pulg D.E. - (2) Poleas de eje de hoja 10G3VX9.3 pulg D.E. - Bridas, 10.0 pulg Ninguno producido antes del febrero de 2005 |

FS6600 DIESEL – TABLEAU DE CONVERSION DE TAILLE DE DISQUE

**Remarque : Changements de pièces d'écartement d'axe de disque
et courroies trapézoïdales après fév. 2005, N/S : 428033**

| 05.03.05 | Taille à laquelle convertir | | |
|----------------------------------------------------------------------|-------------------------------------------------------------------------------------------------------------------------------------------------------------------------------------------------------------------------------------------------------------------------------------------------------------------------------------------------------------------------------------------------------------------------------------------------------------------------------------------------------------------------------------------------|------------------------------------------------------------------------------------------------------------------------------------------------------------------------------------------------------------------------------------------------------------------------------------------------------------------------------------------------------------------------------------------------------------------------------------------------------------------------------|------------------------------------------------------------------------------------------------------------------------------------------------------------------------------------------------------------------------------------------------------------------------------------------------------------------------------------------------------------------------------------------------------------------------------------------------------------------------------|
| Taille d'origine | 14 po / 18 po (350 mm / 450 mm) | 26 po (650 mm) | 30 po (750 mm) |
| 14 po (350 mm) & 18 po (450 mm) | <p>Pas de conversion requise ; configuré :</p> <ul style="list-style-type: none"> - Protection disque 2 po large amovible – 18 po É.-U. - Protection disque 3 po large amovible – 18 po UE (1) Bride & pièce d'écartement (2) Poulie axe disque 8G3VX4,12 po DE (2) Poulie moteur, 8G3VX4,75 po DE - Flasques, 5,00 po DE <p>- Avant fév. 2005 : (4) Courroie trapézoïdale 3VX430 4 bandes - Après fév. 2005 : (4) Courroie trapézoïdale 3VX465 4 bandes</p> | <p>542 19 81-64 Protection disque 3 po large amovible</p> <p>542 19 94-67 Ens. axe disque 26/30 po 542 19 18-95 (2) Poulie moteur 8G 4,12 po DE</p> <p>- Avant fév. 2005 : 542 16 63-63 (4) Courroie trapézoïdale 3VX430 4 bandes - Après fév. 2005 : 542 16 66-29 (4) Courroie trapézoïdale 3VX465 4 bandes</p> | <p>542 19 81-65 Protection disque 3 po large amovible</p> <p>542 19 94-67 Ens. axe disque 26/30 po 542 16 63-66 (2) Poulie moteur 8G 3,65 po DE</p> <p>- Avant fév. 2005 : 542 16 63-63 (4) Courroie trapézoïdale 3VX430 4 bandes - Après fév. 2005 : 542 16 63-62 (4) Courroie trapézoïdale 3VX450 4 bandes</p> |
| 26 po (650 mm) | <p>542 19 81-63 Protection disque 2 po large amovible-É.-U. 542 19 97-78 Protection disque 3 po large amovible-UE</p> <p>542 19 94-66 Ens. axe disque 18 po 542 16 63-65 (2) Poulie moteur 8G 4,75 po DE</p> <p>- Avant fév. 2005 : 542 16 63-63 (4) Courroie trapézoïdale 3VX430 4 bandes - Après fév. 2005 : 542 16 66-29 (4) Courroie trapézoïdale 3VX465 4 bandes</p> | <p>Pas de conversion requise ; configuré :</p> <ul style="list-style-type: none"> - Protection disque 3 po large amovible -26 po (1) Bride & pièce d'écartement (2) Poulie axe disque 8G3VX4,75 po DE (2) Poulie moteur, 8G3VX4,12 po DE - Flasques, 5,00 po DE <p>- Avant fév. 2005 : (4) Courroie trapézoïdale 3VX430 4 bandes - Après fév. 2005 : (4) Courroie trapézoïdale 3VX465 4 bandes</p> | <p>542 19 81-65 Protection disque 3 po large amovible</p> <p>542 16 63-66 (2) Poulie moteur 8G 3,65 po DE</p> <p>- Avant fév. 2005 : 542 16 63-63 (4) Courroie trapézoïdale 3VX430 4 bandes - Après fév. 2005 : 542 16 63-62 (4) Courroie trapézoïdale 3VX450 4 bandes</p> |
| 30 po (750 mm) | <p>542 19 81-63 Protection disque 2 po large amovible-É.-U. 542 19 97-78 Protection disque 3 po large amovible-UE</p> <p>542 19 94-66 Ens. axe disque 18 po 542 16 63-65 (2) Poulie moteur 8G 4,75 po DE</p> <p>- Avant fév. 2005 : 542 16 63-63 (4) Courroie trapézoïdale 3VX430 4 bandes - Après fév. 2005 : 542 16 66-29 (4) Courroie trapézoïdale 3VX465 4 bandes</p> | <p>542 19 81-64 Protection disque 3 po large amovible</p> <p>542 19 18-95 (2) Poulie moteur 8G 4,12 po DE</p> <p>- Avant fév. 2005 : 542 16 63-63 (4) Courroie trapézoïdale 3VX430 4 bandes - Après fév. 2005 : 542 16 66-29 (4) Courroie trapézoïdale 3VX465 4 bandes</p> | <p>Pas de conversion requise ; configuré :</p> <ul style="list-style-type: none"> - Protection disque 3 po large amovible – 30 po (1) Bride & pièce d'écartement (2) Poulie axe disque 8G3VX4,75 po DE (2) Poulie moteur 8G3VX3,65 po DE - Flasques, 5,00 po DE <p>- Avant fév. 2005 : (4) Courroie trapézoïdale 3VX430 4 bandes - Après fév. 2005 : (4) Courroie trapézoïdale 3VX450 4 bandes</p> |
| 36 po (900 mm) | <p>542 19 81-63 Protection disque 2 po large amovible-É.-U. 542 19 97-78 Protection disque 3 po large amovible-UE</p> <p>542 19 94-66 Ens. axe disque 18 po 542 16 63-65 (2) Poulie moteur 8G 4,75 po DE</p> <p>- Avant fév. 2005 : 542 16 63-63 (4) Courroie trapézoïdale 3VX430 4 bandes - Après fév. 2005 : 542 16 66-29 (4) Courroie trapézoïdale 3VX465 4 bandes</p> | <p>542 19 81-64 Protection disque 3 po large amovible</p> <p>Remarque : Retirer la bride amovible arrière pour attacher la protection de 26 po. 542 19 94-67 Ens. axe disque 26/30 po 542 19 18-95 (2) Poulie moteur 8G 4,12 po DE</p> <p>- Avant fév. 2005 : 542 16 63-63 (4) Courroie trapézoïdale 3VX430 4 bandes - Après fév. 2005 : 542 16 66-29 (4) Courroie trapézoïdale 3VX465 4 bandes</p> | <p>542 19 81-65 Protection disque 3 po large amovible</p> <p>Remarque : Retirer la bride amovible arrière pour attacher la protection de 30 po. 542 19 94-67 Ens. axe disque 26/30 po 542 16 63-66 (2) Poulie moteur 8G 3,65 po DE</p> <p>- Avant fév. 2005 : 542 16 63-63 (4) Courroie trapézoïdale 3VX430 4 bandes - Après fév. 2005 : 542 16 63-62 (4) Courroie trapézoïdale 3VX450 4 bandes</p> |
| 42 po (1 000 mm) | <p>542 19 81-63 Protection disque 2 po large amovible-É.-U. 542 19 97-78 Protection disque 3 po large amovible-UE</p> <p>542 19 94-66 Ens. axe disque 18 po 542 16 63-65 (2) Poulie moteur 8G 4,75 po DE</p> <p>- Avant fév. 2005 : 542 16 63-63 (4) Courroie trapézoïdale 3VX430 4 bandes - Après fév. 2005 : 542 16 66-29 (4) Courroie trapézoïdale 3VX465 4 bandes</p> | <p>542 19 81-64 Protection disque 3 po large amovible 542 19 93-62 Kit fixation protection disque</p> <p>542 19 94-67 Ens. axe disque 26/30 po 542 19 18-95 (2) Poulie moteur 8G 4,12 po DE</p> <p>- Avant fév. 2005 : 542 16 63-63 (4) Courroie trapézoïdale 3VX430 4 bandes - Après fév. 2005 : 542 16 66-29 (4) Courroie trapézoïdale 3VX465 4 bandes</p> | <p>542 19 81-65 Protection disque 3 po large amovible 542 19 93-62 Kit fixation protection disque</p> <p>542 19 94-67 Ens. axe disque 26/30 po 542 16 63-66 (2) Poulie moteur 8G 3,65 po DE</p> <p>- Avant fév. 2005 : 542 16 63-63 (4) Courroie trapézoïdale 3VX430 4 bandes - Après fév. 2005 : 542 16 63-62 (4) Courroie trapézoïdale 3VX450 4 bandes</p> |

FS6600 DIESEL – TABLEAU DE CONVERSION DE TAILLE DE DISQUE

**Remarque : Changements de pièces d'écartement d'axe de disque
et courroies trapézoïdales après fév. 2005, N/S : 428033**

| 10.27.05 | Taille à laquelle convertir | |
|----------------------------------------------------------------------|-----------------------------------------------------------------------------------------------------------------------------------------------------------------------------------------------------------------------------------------------------------------------------------------------------------------------------------------------------------------------------------------------------------------------|-----------------------------------------------------------------------------------------------------------------------------------------------------------------------------------------------------------------------------------------------------------------------------------------------------------------------------------------------------------------------------------------------------------------|
| Taille d'origine | 36 po (900 mm) | 42 po (1 000 mm) |
| 14 po (350 mm) & 18 po (450 mm) | 542 19 81-66 Protection disque 3 po large amovible 542 19 94-69 Ens. axe disque 36 po 542 16 63-66 (2) Poulie moteur 8G 3,65 po DE Avant fév. 2005 : 542 19 95-02 (4) Courroie trapézoïdale 3VX435 4 bandes 542 19 93-62 Kit fixation protection disque Après fév. 2005 : 542 16 66-29 (4) Courroie trapézoïdale 3VX465 4 bandes 542 19 96-98 Kit fixation protection disque | 542 19 93-90 Protection disque 4 po large boulonnée Remarque : Retirer les brides amovibles pour attacher la protection de 42 po. 542 19 94-70 Ens. axe disque 42 po 542 16 63-66 (2) Poulie moteur 8G 3,65 po DE Avant fév. 2005 : 542 16 66-29 (4) Courroie trapézoïdale 3VX465 4 bandes Après fév. 2005 : 541 20 19-09 (4) Courroie trapézoïdale 3VX500 4 bandes |
| 26 po (650 mm) | 542 19 81-66 Protection disque 3 po large amovible 542 19 94-69 Ens. axe disque 36 po 542 16 63-66 (2) Poulie moteur 8G 3,65 po DE Avant fév. 2005 : 542 19 95-02 (4) Courroie trapézoïdale 3VX435 4 bandes 542 19 93-62 Kit fixation protection disque Après fév. 2005 : 542 16 66-29 (4) Courroie trapézoïdale 3VX465 4 bandes 542 19 96-98 Kit fixation protection disque | 542 19 93-90 Protection disque 4 po large boulonnée Remarque : Retirer les brides amovibles pour attacher la protection de 42 po. 542 19 94-70 Ens. axe disque 42 po 542 16 63-66 (2) Poulie moteur 8G 3,65 po DE Avant fév. 2005 : 542 16 66-29 (4) Courroie trapézoïdale 3VX465 4 bandes Après fév. 2005 : 541 20 19-09 (4) Courroie trapézoïdale 3VX500 4 bandes |
| 30 po (750 mm) | 542 19 81-66 Protection disque 3 po large amovible 542 19 94-69 Ens. axe disque 36 po 542 16 63-66 (2) Poulie moteur 8G 3,65 po DE Avant fév. 2005 : 542 19 95-02 (4) Courroie trapézoïdale 3VX435 4 bandes 542 19 93-62 Kit fixation protection disque Après fév. 2005 : 542 16 66-29 (4) Courroie trapézoïdale 3VX465 4 bandes 542 19 96-98 Kit fixation protection disque | 542 19 93-90 Protection disque 4 po large boulonnée Remarque : Retirer les brides amovibles pour attacher la protection de 42 po. 542 19 94-70 Ens. axe disque 42 po 542 16 63-66 (2) Poulie moteur 8G 3,65 po DE Avant fév. 2005 : 542 16 66-29 (4) Courroie trapézoïdale 3VX465 4 bandes Après fév. 2005 : 541 20 19-09 (4) Courroie trapézoïdale 3VX500 4 bandes |
| 36 po (900 mm) | Pas de conversion requise ; configuré : - Protection disque 3 po large amovible – 36 po - (2) Brides & pièces d'écartement - (2) Poulie axe disque 8G3VX5,60 po DE - (2) Poulie moteur 8G3VX3,65 po DE - Flasques, 6,00 po DE Avant fév. 2005 : 542 19 95-02 (4) Courroie trapézoïdale 3VX435 4 bandes Après fév. 2005 : 542 16 66-29 (4) Courroie trapézoïdale 3VX465 4 bandes | 542 19 93-90 Protection disque 4 po large boulonnée Remarque : Retirer les brides amovibles pour attacher la protection de 42 po. 542 19 94-70 Ens. axe disque 42 po 542 16 63-66 (2) Poulie moteur 8G 3,65 po DE Avant fév. 2005 : 542 16 66-29 (4) Courroie trapézoïdale 3VX465 4 bandes Après fév. 2005 : 541 20 19-09 (4) Courroie trapézoïdale 3VX500 4 bandes |
| 42 po (1 000 mm) | 542 19 81-66 Protection disque 3 po large amovible 542 19 94-69 Ens. axe disque 36 po 542 16 63-66 (2) Poulie moteur 8G 3,65 po DE Avant fév. 2005 : 542 19 95-02 (4) Courroie trapézoïdale 3VX435 4 bandes 542 19 93-62 (2) Kit fixation protection disque Après fév. 2005 : 542 16 66-29 (4) Courroie trapézoïdale 3VX465 4 bandes 542 19 96-98 (2) Kit fixation protection disque | Pas de conversion requise ; configuré : - Protection disque 4 po large boulonnée – 42 po - Renfort protection disque - (2) Poulie axe disque 8G3VX6,4 po DE - (2) Poulie moteur, 8G3VX3,65 po DE - Flasques, 7,00 po DE Avant fév. 2005 : 542 16 66-29 (4) Courroie trapézoïdale 3VX465 4 bandes Après fév. 2005 : 541 20 19-09 (4) Courroie trapézoïdale 3VX500 4 bandes |

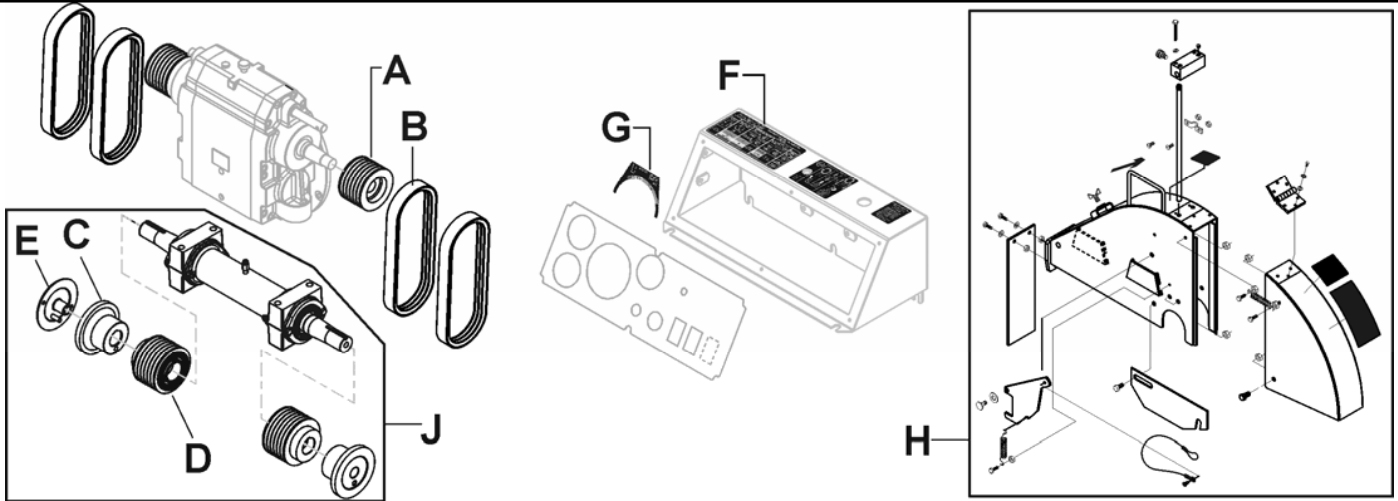
FS8400 DIESEL – TABLEAU DE CONVERSION DE TAILLE DE DISQUE
Remarque: Pièces d'écartement d'axe de disque ajoutées & changements
de courroies trapézoïdales après fév. 2005, N/S : 428033

| 10.27.05 | Taille à laquelle convertir | | | |
|-----------------------------|-----------------------------------------------------------------------------------------------------------------------------------------------------------------------------------------------------------------------------------------------------------------------------------------------------------------------------------------------------------------------------------------------------------------------------------------------------------------------------------------------------------------------------------|-----------------------------------------------------------------------------------------------------------------------------------------------------------------------------------------------------------------------------------------------------------------------------------------------------------------------------------------------------------------------------------------------------------------------------------------------------------------------|-------------------------------------------------------------------------------------------------------------------------------------------------------------------------------------------------------------------------------------------------------------------------------------------------------------------------------------------------------------------------------------------------------------------------|---------------------------------------------------------------------------------------------------------------------------------------------------------------------------------------------------------------------------------------------------------------------------------------------------------------------------------------------------------------------------------------------------------------------------|
| Taille d'origine | 18 po (450 mm) | 26 po (650 mm) | 30 po (750 mm) | 36 po (900 mm) |
| 18 po (450 mm) | Pas de conversion requise ; configuré : - Protection disque 2 po large amovible É.-U.-18 po - Protection disque 3 po large amovible UE-18 po - (1) Bride & pièce d'écartement - (4) Courroies trapézoïdales 3VX465 5 bandes - (2) Poulie axe disque 10G3VX4,12 po DE - (2) Poulie moteur, 10G3VX4,75 po DE - Flasques, 5,00 po DE Avant fév. 2005 (4) 542 19 95-54 3VX430 5 bandes | 542 19 81-64 Protection disque 3 po large amovible 542 19 95-81 Ens. axe disque 26/30 po 542 19 95-31 (2) Poulie moteur 10G 4,12 po DE (Mêmes courroies trapézoïdales 3VX465 utilisées) | 542 19 81-65 Protection disque 3 po large amovible 542 19 95-81 Ens. axe disque 26/30 po 542 19 95-30 (2) Poulie moteur 10G 3,65 po DE 542 19 97-66 (4) Courroie trapézoïdale 3VX450 5 bandes | 542 19 81-66 Protection disque 3 po large amovible 542 19 96-98 Kit fixation protection disque 542 19 95-82 Ens. axe disque 36 po 542 19 95-30 (2) Poulie moteur 10G 3,65 po DE (Mêmes courroies trapézoïdales 3VX465 utilisées) |
| 26 po (650 mm) | 542 19 81-63 Protection disque 2 po large amovible – É.-U. 542 19 97-78 Protection disque 3 po large amovible - UE 542 19 95-80 Ens. axe disque 18 po 542 19 95-32 (2) Poulie moteur 10G 4,75 po DE 542 19 97-00 (4) Courroie trapézoïdale 3VX465 5 bandes | Pas de conversion requise ; configuré : - Protection disque 3 po large amovible – 26 po - (1) Bride & pièce d'écartement - (4) Courroie trapézoïdale 3VX465 5 bandes - (2) Poulie moteur 10G3VX4,12 po DE - (2) Poulie axe disque 10G3VX4,75 po DE - Flasques, 5,00 po Avant fév. 2005 (4) 542 19 95-54 3VX430 5 bandes | 542 19 81-65 Protection disque 3 po large amovible 542 19 95-30 (2) Poulie moteur 10G 3,65 po DE 542 19 97-66 (4) Courroie trapézoïdale 3VX450 5 bandes | 542 19 81-66 Protection disque 3 po large amovible 542 19 96-98 Kit fixation protection disque 542 19 95-82 Ens. axe disque 36 po 542 19 95-30 (2) Poulie moteur 10G 3,65 po DE (Mêmes courroies trapézoïdales 3VX465 utilisées) |
| 30 po (750 mm) | 542 19 81-63 Protection disque 2 po large amovible – É.-U. 542 19 97-78 Protection disque 3 po large amovible - UE 542 19 95-80 Ens. axe disque 18 po 542 19 95-32 (2) Poulie moteur 10G 4,75 po DE 542 19 97-00 (4) Courroie trapézoïdale 3VX465 5 bandes | 542 19 81-64 Protection disque 3 po large amovible 542 19 95-81 Ens. axe disque 26/30 po 542 19 97-00 (4) Courroie trapézoïdale 3VX465 5 bandes | Pas de conversion requise ; configuré : - Protection disque 3 po large amovible - 30 po - (1) Bride & pièce d'écartement - (4) Courroie trapézoïdale 3VX465 5 bandes - (2) Poulie moteur 10G3VX3,65 po DE - (2) Poulie axe disque 10G3VX4,75 po - Flasques, 5,00 po DE Avant fév. 2005 (4) 542 19 95-54 3VX430 5 bandes | 542 19 81-66 Protection disque 3 po large amovible 542 19 96-98 Kit fixation protection disque 542 19 95-82 Ens. axe disque 36 po 542 19 97-00 (4) Courroie trapézoïdale 3VX465 5 bandes |
| 36 po (900 mm) | 542 19 81-63 Protection disque 2 po large amovible – É.-U. 542 19 97-78 Protection disque 3 po large amovible - UE 542 19 95-80 Ens. axe disque 18 po 542 19 95-32 (2) Poulie moteur 10G 4,75 po DE 542 19 97-00 (4) Courroie trapézoïdale 3VX465 5 bandes | 542 19 81-64 Protection disque 3 po large amovible 542 19 95-81 Ens. axe disque 26/30 po 542 19 95-31 (2) Poulie moteur 10G 4,12 po DE | 542 19 81-65 Protection disque 3 po large amovible 542 19 95-81 Ens. axe disque 26/30 po 542 19 95-30 (2) Poulie moteur 10G 3,65 po DE 542 19 97-66 (4) Courroie trapézoïdale 3VX450 5 bandes Remarque : Retirer la bride amovible arrière pour attacher la protection de 30 po. | Pas de conversion requise ; configuré : - Protection disque 3 po large amovible - 36 po - (2) Brides & pièces d'écartement - (4) Courroie trapézoïdale 3VX465 5 bandes - (2) Poulie moteur 10G3VX3,65 po DE - (2) Poulie axe disque 10G3VX5,60 po DE - Flasques, 6,00 po DE Avant fév. 2005 (4) 542 19 95-68 3VX435 5 bandes |
| 42 po (1 000 mm) | 542 19 81-63 Protection disque 2 po large amovible – É.-U. 542 19 97-78 Protection disque 3 po large amovible - UE 542 19 96-98 Kit fixation protection disque 542 19 95-80 Ens. axe disque 18 po 542 19 95-32 (2) Poulie moteur 10G 4,75 po DE 542 19 97-00 (4) Courroie trapézoïdale 3VX465 5 bandes | 542 19 81-64 Protection disque 3 po large amovible 542 19 96-98 Kit fixation protection disque 542 19 95-81 Ens. axe disque 26/30 po 542 19 95-31 (2) Poulie moteur 10G 4,12 po DE 542 19 97-00 (4) Courroie trapézoïdale 3VX465 5 bandes | 542 19 81-65 Protection disque 3 po large amovible 542 19 96-98 Kit fixation protection disque 542 19 95-81 Ens. axe disque 26/30 po 542 19 97-66 (4) Courroie trapézoïdale 3VX450 5 bandes | 542 19 81-66 Protection disque 3 po large amovible 542 19 96-98 (2) Kit fixation protection disque 542 19 95-82 Ens. axe disque 36 po 542 19 97-00 (4) Courroie trapézoïdale 3VX465 5 bandes |
| 48 po (1 200 mm) | 542 19 81-63 Protection disque 2 po large amovible – É.-U. 542 19 97-78 Protection disque 3 po large amovible - UE 542 19 95-80 Ens. axe disque 18 po 542 19 95-32 (2) Poulie moteur 10G 4,75 po DE 542 19 97-00 (4) Courroie trapézoïdale 3VX465 5 bandes 542 19 96-98 Kit fixation protection disque 542 19 92-84 Couvre-flasque | 542 19 97-78 Protection disque 3 po large amovible - UE 542 19 95-80 Ens. axe disque 18 po 542 19 95-32 (2) Poulie moteur 10G 4,75 po DE 542 19 97-00 (4) Courroie trapézoïdale 3VX465 5 bandes 542 19 96-98 Kit fixation protection disque 542 19 92-84 Couvre-flasque | 542 19 81-65 Protection disque 3 po large amovible 542 19 96-98 Kit fixation protection disque 542 19 95-81 Ens. axe disque 26/30 po 542 19 97-66 (4) Courroie trapézoïdale 3VX450 5 bandes 542 19 92-84 Couvre-flasque 542 19 17-70 (2) Roues avant 8,0 po | 542 19 81-66 Protection disque 3 po large amovible 542 19 96-98 (2) Kit fixation protection disque 542 19 95-82 Ens. axe disque 36 po 542 19 97-00 (4) Courroie trapézoïdale 3VX465 5 bandes 542 19 17-70 (2) Roues avant 8,0 po |
| 60 po (1 500 mm) | 542 19 81-63 Protection disque 2 po large amovible – É.-U. 542 19 97-78 Protection disque 3 po large amovible - UE 542 19 96-98 Kit fixation protection disque 542 19 95-80 Ens. axe disque 18 po 542 19 95-32 (2) Poulie moteur 10G 4,75 po DE 542 19 97-00 (4) Courroie trapézoïdale 3VX465 5 bandes 542 19 92-84 Couvre-flasque 542 19 17-70 (2) Roues avant 8,0 po 542 19 92-80 Protection courroie gauche 542 19 92-82 Protection courroie droite Remarque : Retirer l'extension 60 po. | 542 19 81-64 Protection disque 3 po large amovible 542 19 96-98 Kit fixation protection disque 542 19 95-81 Ens. axe disque 26/30 po 542 19 95-31 (2) Poulie moteur 10G 4,12 po DE 542 19 97-00 (4) Courroie trapézoïdale 3VX465 5 bandes 542 19 92-84 Couvre-flasque 542 19 17-70 (2) Roues avant 8,0 po 542 19 92-80 Protection courroie gauche 542 19 92-82 Protection courroie droite Remarque : Retirer l'extension 60 po. | 542 19 81-65 Protection disque 3 po large amovible 542 19 96-98 Kit fixation protection disque 542 19 95-81 Ens. axe disque 26/30 po 542 19 97-66 (4) Courroie trapézoïdale 3VX450 5 bandes 542 19 92-84 Couvre-flasque 542 19 17-70 (2) Roues avant 8,0 po 542 19 92-80 Protection courroie gauche 542 19 92-82 Protection courroie droite Remarque : Retirer l'extension 60 po | 542 19 81-66 Protection disque 3 po large amovible 542 19 96-98 (2) Kit fixation protection disque 542 19 95-82 Ens. axe disque 36 po 542 19 97-00 (4) Courroie trapézoïdale 3VX465 5 bandes 542 19 92-84 Couvre-flasque 542 19 17-70 (2) Roues avant 8,0 po 542 19 92-80 Protection courroie gauche 542 19 92-82 Protection courroie droite Remarque : Retirer l'extension 60 po. |

FS8400 DIESEL – TABLEAU DE CONVERSION DE TAILLE DE DISQUE
Remarque: Pièces d'écartement d'axe de disque ajoutées & changements
de courroies trapézoïdales après fév. 2005, N/S : 428033

| 05.03.05 | Taille à laquelle convertir | | |
|-----------------------------|------------------------------------------------------------------------------------------------------------------------------------------------------------------------------------------------------------------------------------------------------------------------------------------------------------------------------------------|--------------------------------------------------------------------------------------------------------------------------------------------------------------------------------------------------------------------------------------------------------------------------------------------------------------------------------------------------------------------------------------------------------------------------------------------------------------------------------------------------------------|----------------------------------------------------------------------------------------------------------------------------------------------------------------------------------------------------------------------------------------------------------------------------------------------------------------------------------------|
| Taille d'origine | 42 po (1 000 mm) | 48 po (1 200 mm) | 60 po (1 500 mm) |
| 18 po (450 mm) | 542 19 93-90 Protection disque 4 po large boulonnée 542 19 97-42 Ens. axe disque 42 po 542 19 95-30 (2) Poulie moteur 10G 3,65 po DE 542 19 97-65 (4) Courroie trapézoïdale 3VX485 5 bandes 542 19 61-72 Kit de masses d'alourdissement - 2 barres | 542 19 81-67 Protection disque 4 po large boulonnée 542 19 95-73 Kit fixation protection disque 542 19 95-83 Ens. axe disque 48 po 542 19 95-30 (2) Poulie moteur 10G 3,65 po DE 542 19 97-00 (4) Courroie trapézoïdale 3VX465 5 bandes 542 19 80-22 Kit de masses d'alourdissement – 3 barres 542 19 17-71 Roues avant, 9,0 po Remarque : Retirer les (2) pièces d'écartement d'axe de disque & utiliser (4) boulons M16x100 542 16 63-56. | 542 19 96-25 Kit de conversion 60 po 542 19 95-30 (2) Poulie moteur 10G 3,65 po DE |
| 26 po (650 mm) | 542 19 93-90 Protection disque 4 po large boulonnée 542 19 97-42 Ens. axe disque 42 po 542 19 95-30 (2) Poulie moteur 10G 3,65 po DE 542 19 97-65 (4) Courroie trapézoïdale 3VX485 5 bandes 542 19 61-72 Kit de masses d'alourdissement - 2 barres | 542 19 81-67 Protection disque 4 po large boulonnée 542 19 95-73 Kit fixation protection disque 542 19 95-83 Ens. axe disque 48 po 542 19 95-30 (2) Poulie moteur 10G 3,65 po DE 542 19 97-00 (4) Courroie trapézoïdale 3VX465 5 bandes 542 19 80-22 Kit de masses d'alourdissement – 3 barres 542 19 17-71 Roues avant, 9,0 po Remarque : Retirer les (2) pièces d'écartement d'axe de disque & utiliser (4) boulons M16x100 542 16 63-56. | 542 19 96-25 Kit de conversion 60 po 542 19 95-30 (2) Poulie moteur 10G 3,65 po DE |
| 30 po (750 mm) | 542 19 93-90 Protection disque 4 po large boulonnée 542 19 97-42 Ens. axe disque 42 po 542 19 97-65 (4) Courroie trapézoïdale 3VX485 5 bandes 542 19 61-72 Kit de masses d'alourdissement - 2 barres | 542 19 81-67 Protection disque 4 po large boulonnée 542 19 95-73 Kit fixation protection disque 542 19 95-83 Ens. axe disque 48 po 542 19 95-30 (2) Poulie moteur 10G 3,65 po DE 542 19 97-00 (4) Courroie trapézoïdale 3VX465 5 bandes 542 19 80-22 Kit de masses d'alourdissement – 3 barres 542 19 17-71 Roues avant, 9,0 po Remarque : Retirer les (2) pièces d'écartement d'axe de disque & utiliser (4) boulons M16x100 542 16 63-56. | 542 19 96-25 Kit de conversion 60 po |
| 36 po (900mm) | 542 19 93-90 Protection disque 4 po large boulonnée 542 19 97-42 Ens. axe disque 42 po 542 19 97-65 (4) Courroie trapézoïdale 3VX485 5 bandes 542 19 61-72 Kit de masses d'alourdissement - 2 barres | 542 19 81-67 Protection disque 4 po large boulonnée 542 19 95-73 Kit fixation protection disque 542 19 95-83 Ens. axe disque 48 po 542 19 95-30 (2) Poulie moteur 10G 3,65 po DE 542 19 97-00 (4) Courroie trapézoïdale 3VX465 5 bandes 542 19 80-22 Kit de masses d'alourdissement – 3 barres 542 19 17-71 Roues avant, 9,0 po Remarque : Retirer les (2) pièces d'écartement d'axe de disque & utiliser (4) boulons M16x100 542 16 63-56. | 542 19 96-25 Kit de conversion 60 po |
| 42 po (1 000 mm) | Pas de conversion requise ; configuré : - Protection disque 4 po large boulonnée - 42 po - Renfort protection disque - (4) Courroie trapézoïdale 3VX500 5 bandes - (2) Poulie moteur 10G3VX3,65 po DE - (2) Poulie axe disque 10G3VX9,3 po DE - Flasques, 7,0 po DE Aucun produit avant fév. 2005 | 542 19 81-67 Protection disque 4 po large boulonnée 542 19 95-73 Kit fixation protection disque 542 19 95-83 Ens. axe disque 48 po 542 19 95-30 (2) Poulie moteur 10G 3,65 po DE 542 19 97-00 (4) Courroie trapézoïdale 3VX465 5 bandes 542 19 80-22 Kit de masses d'alourdissement – 3 barres 542 19 17-71 Roues avant, 9,0 po Remarque : Retirer les (2) pièces d'écartement d'axe de disque & utiliser (4) boulons M16x100 542 16 63-56. | 542 19 96-25 Kit de conversion 60 po |
| 48 po (1 200 mm) | 542 19 93-90 Protection disque 4 po large boulonnée 542 19 97-42 Ens. axe disque 42 po 542 19 97-65 (4) Courroie trapézoïdale 3VX485 5 bandes 542 19 92-84 Couvre-flasque Remarque : Ajouter (2) pièces d'écartement d'axe de disque 542 19 96-92 & (4) boulons M16x140 542 19 96-91. | Pas de conversion requise ; configuré : - Protection disque 4 po large boulonnée – 48 po - Renfort protection disque - (4) Courroie trapézoïdale 3VX465 5 bandes - (2) Poulie moteur 10G3VX3,65 po DE - (2) Poulie axe disque 10G3VX4,12 po DE - Flasques, 8 po DE - Roues avant, 9,0 po DE x 3,0 po large Remarque : Les pièces d'écartement d'axe de disque NE sont PAS utilisées sur la scie 48 po. Aucun produit avant fév. 2005 | 542 19 96-25 Kit de conversion 60 po Remarque : Ajouter (2) pièces d'écartement d'axe de disque 542 19 96-92 & (4) boulons M16x140 542 19 96-91. |
| 60 po (1 500 mm) | 542 19 93-90 Protection disque 4 po large boulonnée 542 19 97-42 Ens. axe disque 42 po 542 19 97-65 (4) Courroie trapézoïdale 3VX485 5 bandes 542 19 92-84 Couvre-flasque 542 19 92-80 Protection courroie gauche 542 19 92-82 Protection courroie droite Remarque : Retirer l'extension 60 po. | 542 19 81-67 Protection disque 4 po large boulonnée 542 19 95-73 Kit fixation protection disque 542 19 95-83 Ens. axe disque 48 po 542 19 97-00 (4) Courroie trapézoïdale 3VX465 5 bandes 542 19 92-84 Couvre-flasque 542 19 17-70 (2) Roues avant, 8,0 po 542 19 92-80 Protection courroie gauche 542 19 92-82 Protection courroie droite Remarque : Retirer l'extension 60 po, les (2) pièces d'écartement d'axe de disque & utiliser (4) boulons M16x100 542 16 63-56. | Pas de conversion requise ; configuré : - Protection disque 4 po large boulonnée - 60 po - Renfort protection disque - (4) Courroie trapézoïdale 3VX530 5 bandes - (2) Poulie moteur 10G3VX3,65 po DE - (2) Poulie axe disque 10G3VX9,3 po DE - Flasques, 10,0 po Aucun produit avant fév. 2005 |

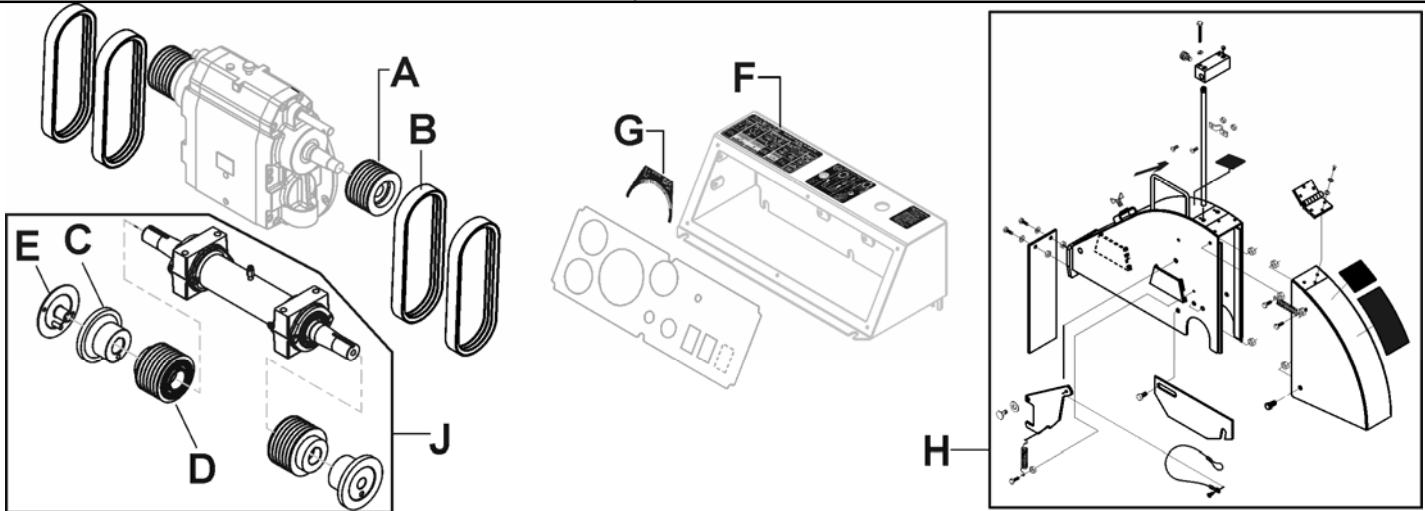
Blade Size Conversion: Husqvarna FS 6600 D, 3 Speed Gearbox Models
 Conversión de tamaños de hojas: Modelos Husqvarna FS 6600 D, con caja de marchas de 3 velocidades
 Conversion des tailles de disques : Husqvarna FS 6600 D, boîte de transmission à 3 vitesses
 Sägeblatt-Umrüstabelle: Husqvarna FS 6600 D, Modelle mit 3-Gang-Getriebe
 Bladgrootteconversie: Husqvarna FS 6600 D, tandwielkastmodellen – 3 snelheden
 Conversione dimensioni disco: Husqvarna FS 6600 D, modelli con trasmissione a 3 velocità
 Tabela de conversão dos tamanhos das lâminas:
 Husqvarna FS 6600 D, Modelos de Caixa de Engrenagens de 3 Velocidades
 Konvertera bladstorlek: Husqvarna FS 6600 D, Modeller med tre växlar



| Convert From Size Convertir de Depuis la taille Umbau von Conversie van Convertire da Converter de Konvertera från | Convert TO Size / Convertir al tamaño / jusqu'à la taille / Umbau auf Größe Conversie naar / Convertire in / Converter para o Tamanho / Konvertera till storlek | | | |
|-----------------------------------------------------------------------------------------------------------------------------------------|------------------------------------------------------------------------------------------------------------------------------------------------------------------------------------------------------|------------------------------------------------------------------------------------------------------------------------------------------------------------------------------------------------------|------------------------------------------------------------------------------------------------------------------------------------------------------------------------------------------------------------------------|------------------------------------------------------------------------------------------------------------------------------------------------------------------------------------------------------|
| | 14-26" (350mm-650mm) FS 6600 D | 18-30" (450mm-750mm) FS 6600 D | 20-36" (500mm-900mm) FS 6600 D | 26-42" (650mm-1000mm) FS 6600 D |
| 14-26" (350mm-650mm) | ----- | A = 542 19 18-95 (2X) B = 541 20 08-47 (4X) C = 541 20 68-88 (2X) D = 542 19 88-66 (2X) E = 542 16 63-07 F = 504 11 98-08 G = 542 20 65-48 H = 542 19 81-65 J = 504 82 70-01 | A = 542 19 18-95 (2X) B = 541 20 08-47 (4X) C = 542 19 88-64 (2X) D = 542 19 88-58 (2X) E = 542 16 32-72 F = 504 11 98-09 G = 542 20 65-49 H = 542 19 81-66 + 542 19 96-98 J = 504 82 70-03 | A = 542 19 18-95 (2X) B = 504 11 97-01 (4X) C = 542 19 93-17 (2X) D = 542 19 88-65 (2X) E = 542 19 93-78 F = 504 11 98-02 G = 504 11 98-01 H = 504 55 83-01 J = 504 82 70-04 |
| 18-30" (450mm-750mm) | | ----- | | |
| 20-36" (500mm-900mm) | A = 542 16 63-65 (2X) B = 541 20 08-47 (4X) C = 542 20 62-02 (2X) D = 542 19 88-66 (2X) E = 542 16 31-72 F = 504 11 98-07 G = 542 20 65-47 H = 542 19 81-64 J = 504 82 70-02 | A = 542 19 18-95 (2X) B = 541 20 08-47 (4X) C = 541 20 68-88 (2X) D = 542 19 88-66 (2X) E = 542 16 63-07 F = 504 11 98-08 G = 542 20 65-48 H = 542 19 81-65 J = 504 82 70-01 | ----- | |
| 26-42" (650mm-1000mm) | | | A = 542 19 18-95 (2X) B = 541 20 08-47 (4X) C = 542 19 88-64 (2X) D = 542 19 88-58 (2X) E = 542 16 32-72 F = 504 11 98-09 G = 542 20 65-49 H = 542 19 81-66 + 542 19 96-98 J = 504 82 70-03 | ----- |

[FS6600 Speed Chart (07-11-2007).doc]

Blade Size Conversion: Husqvarna FS 8400 D, 3 Speed Gearbox Models
 Conversión de tamaños de hojas: Modelos Husqvarna FS 8400 D, con caja de marchas de 3 velocidades
 Conversion des tailles de disques : Husqvarna FS 8400 D, boîte de transmission à 3 vitesses
 Sägeblatt-Umrüstabelle: Husqvarna FS 8400 D, Modelle mit 3-Gang-Getriebe
 Bladgrootteconversie: Husqvarna FS 8400 D, tandwielkastmodellen – 3 snelheden
 Conversione dimensioni disco: Husqvarna FS 8400 D, modelli con trasmissione a 3 velocità
 Tabela de conversão dos tamanhos das lâminas:
 Husqvarna FS 8400 D, Modelos de Caixa de Engrenagens de 3 Velocidades
 Konvertera bladstorlek: Husqvarna FS 8400 D, Modeller med tre växlar



| Convert From Size Convertir de Depuis la taille Umbau von Conversie van Convertire da Converter de Konvertera från | Convert TO Size / Convertir al tamaño / jusqu'à la taille / Umbau auf Größe Conversie naar / Convertire in / Converter para o Tamanho / Konvertera till storlek | | | |
|-----------------------------------------------------------------------------------------------------------------------------------------|------------------------------------------------------------------------------------------------------------------------------------------------------------------------------------------------------|------------------------------------------------------------------------------------------------------------------------------------------------------------------------------------------------------------------------|------------------------------------------------------------------------------------------------------------------------------------------------------------------------------------------------------|------------------------------------------------------------------------------------------------------------------------------------------------------------------------------------------------------------------------|
| | 18-30" (450mm-750mm) FS 8400 D | 20-36" (500mm-900mm) FS 8400 D | 26-42" (650mm-1000mm) FS 8400 D | 30-48" (750mm-1200mm) FS 8400 D |
| 18-30" (450mm-750mm) | ----- | A = 542 19 95-31 (2X) B = 541 20 11-18 (4X) C = 542 19 88-64 (2X) D = 542 19 95-34 (2X) E = 542 16 32-72 F = 504 11 98-09 G = 542 20 65-49 H = 542 19 81-66 + 542 19 96-98 J = 504 82 70-06 | A = 542 19 95-31 (2X) B = 504 11 97-03 (4X) C = 542 19 93-17 (2X) D = 542 19 95-35 (2X) E = 542 19 93-78 F = 504 11 98-02 G = 504 11 98-01 H = 504 55 83-01 J = 504 82 70-07 | A = 542 19 95-31 (2X) B = 541 20 11-15 (4X) C = 542 19 93-31 (2X) D = 542 19 95-36 (2X) E = 542 19 19-43 F = 504 11 98-05 G = 504 11 98-04 H = 542 16 69-32 + 541 20 84-35 J = 504 82 70-08 |
| 20-36" (500mm-900mm) | | ----- | | |
| 26-42" (650mm-1000mm) | A = 542 19 95-31 (2X) B = 541 20 11-18 (4X) C = 541 20 68-88 (2X) D = 542 19 95-33 (2X) E = 542 16 63-07 F = 504 11 98-08 G = 542 20 65-48 H = 542 19 81-65 J = 504 82 70-05 | A = 542 19 95-31 (2X) B = 541 20 11-18 (4X) C = 542 19 88-64 (2X) D = 542 19 95-34 (2X) E = 542 16 32-72 F = 504 11 98-09 G = 542 20 65-49 H = 542 19 81-66 + 542 19 96-98 J = 504 82 70-06 | ----- | |
| 30-48" ** (750mm-1200mm) | | | A = 542 19 95-31 (2X) B = 504 11 97-03 (4X) C = 542 19 93-17 (2X) D = 542 19 95-35 (2X) E = 542 19 93-78 F = 504 11 98-02 G = 504 11 98-01 H = 504 55 83-01 J = 504 82 70-07 | ----- |

[FS8400 Speed Chart (07-11-2007).doc]

Diagram 1: Wiring Diagram - FS6600 - FS8400 Instrument and Control Box
Diagrama esquemático 1: Diagrama esquemático de alambrado - Caja de control e instrumentos FS6600 - FS8400
Schéma 1 : Schéma de câblage – Instruments et boîtier de commande FS6600-FS8400

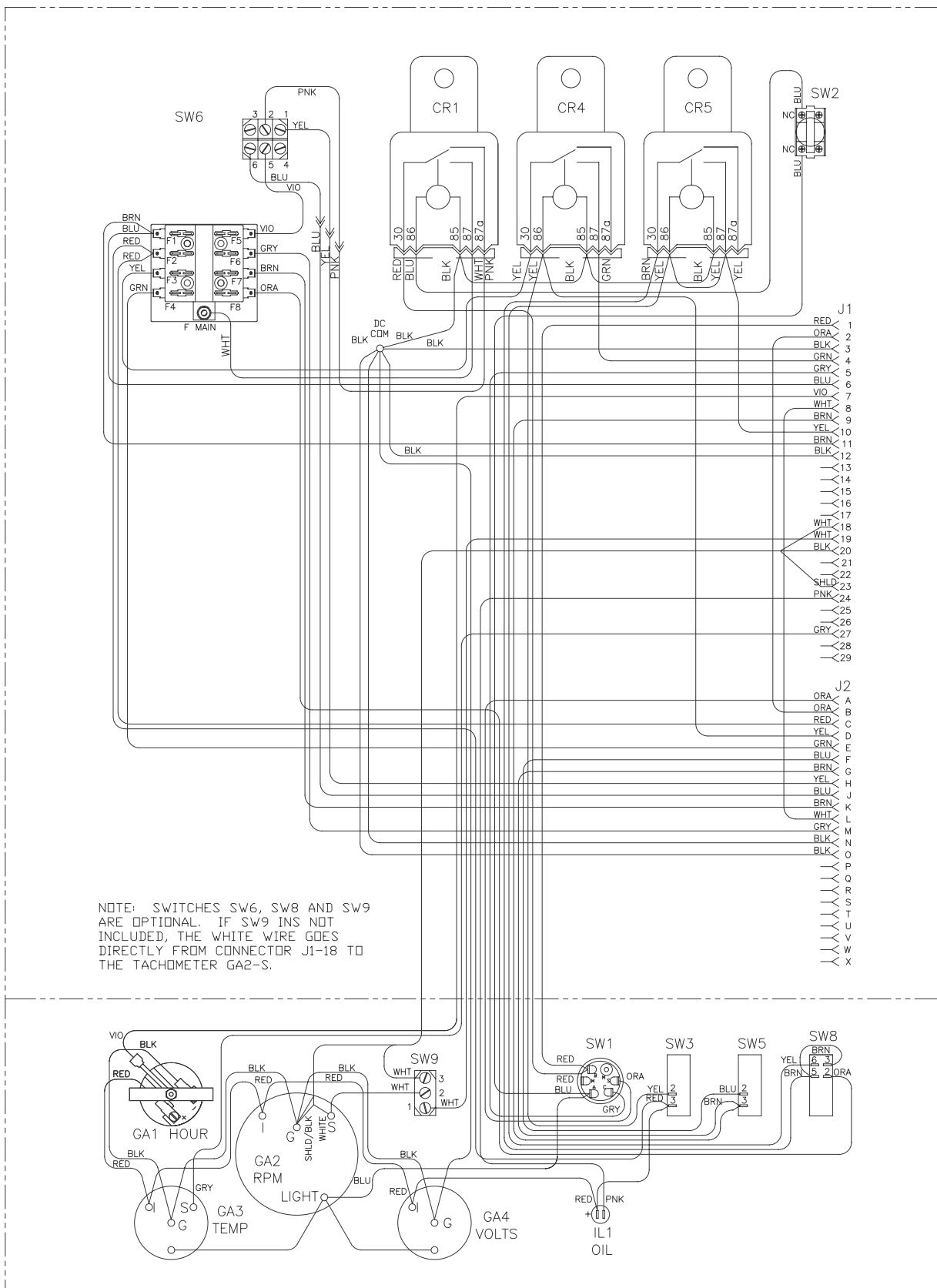


Diagram 2: Wiring Diagram - FS6600 - FS8400 Engine Wiring

Diagrama esquemático 2: Diagrama esquemático de alambrado - Alambrado del motor FS6600 - FS8400

Schéma 2 : Schéma de câblage – Câblage du moteur FS6600-FS8400

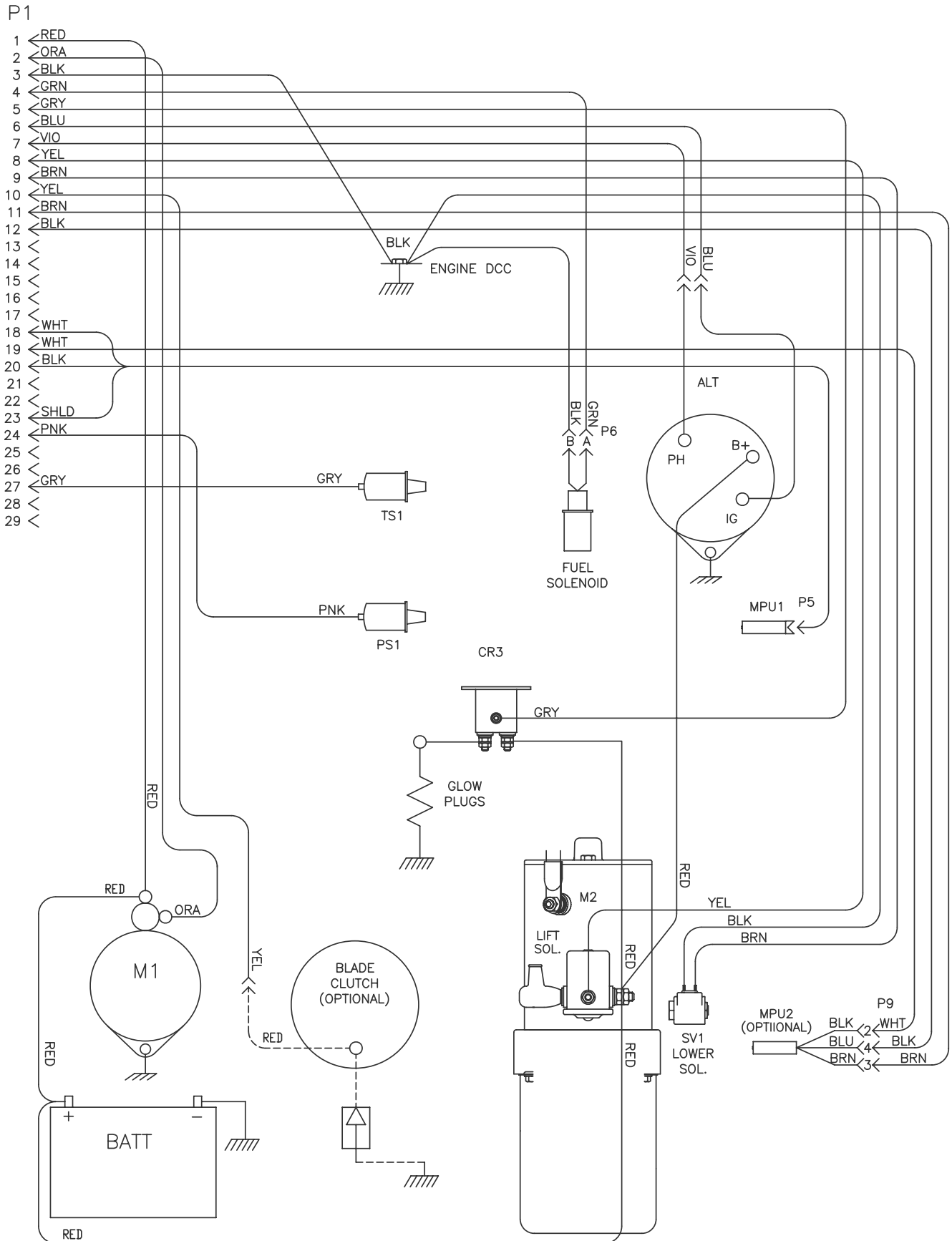
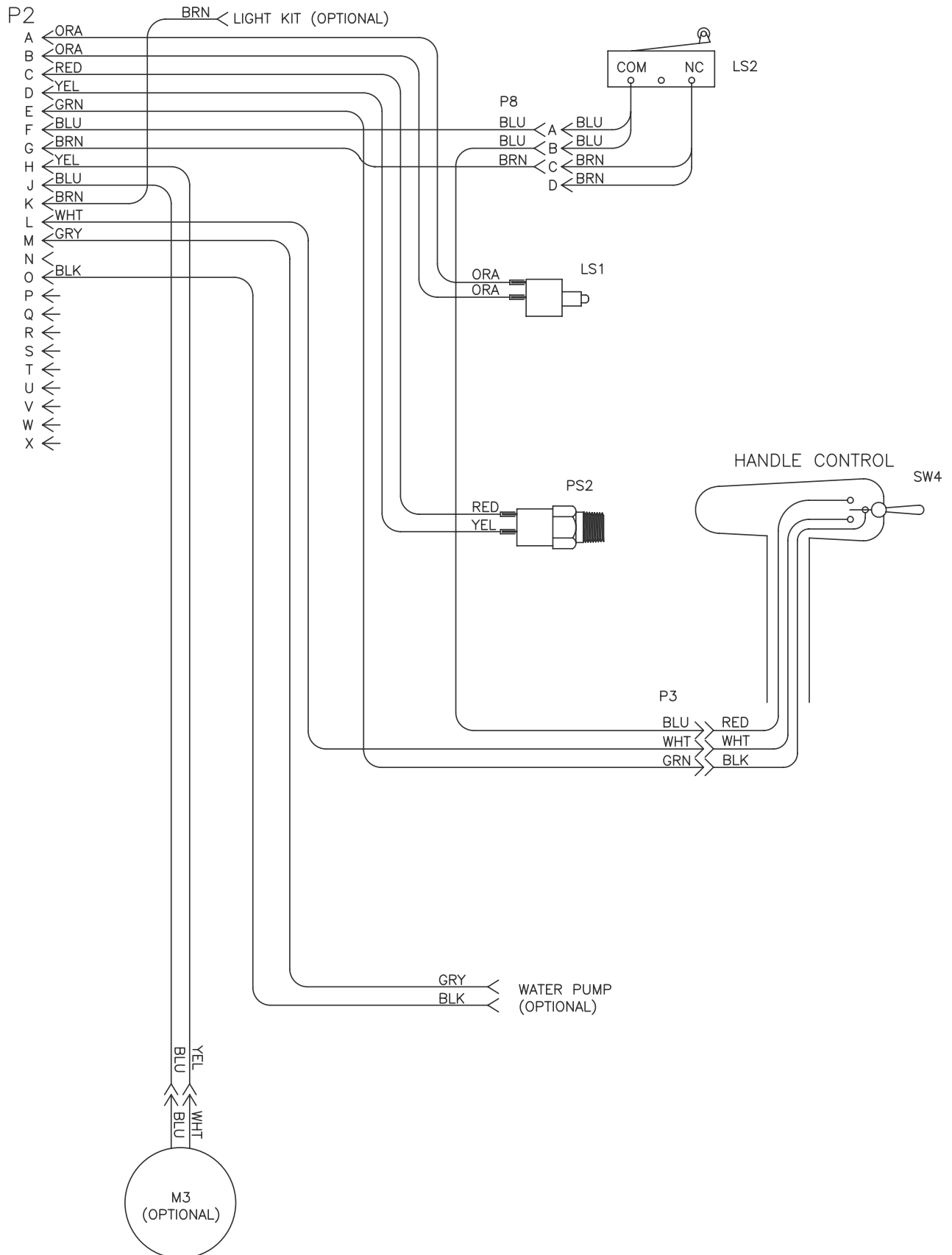


Diagram 3: Wiring Diagram - FS6600 - FS8400 Cowl Wiring

Diagrama esquemático 3: Diagrama esquemático de alambrado - Alambrado de la cubierta del motor FS6600 - FS8400

Schéma 3 : Schéma de câblage – Câblage du capot FS6600-FS8400



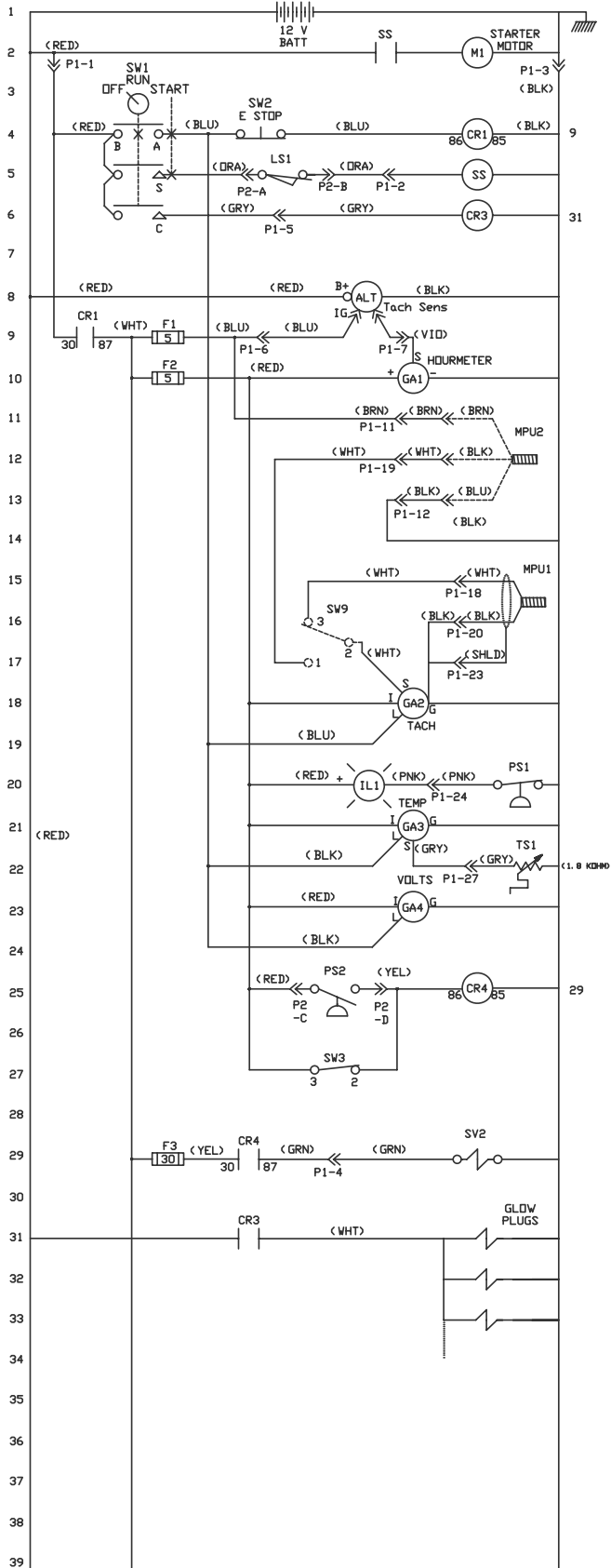
NOTES:
NOTAS:
NOTES :

Diagram 4: Ladder Diagram - FS6600 - FS8400 Electrical

Diagrama esquemático 4: Diagrama esquemático escalonado - Eléctrico FS6600 - FS8400

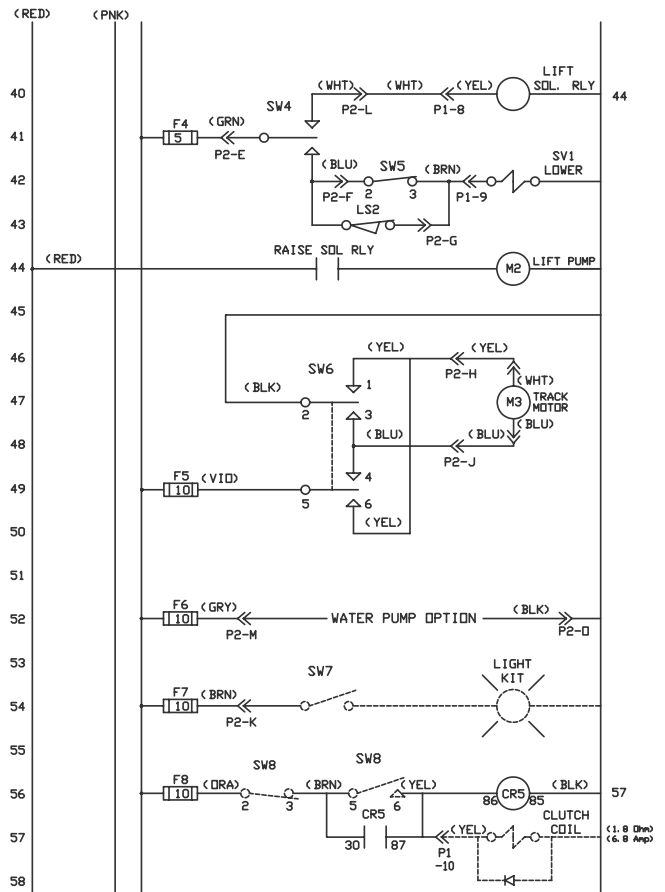
Schéma 4 : Schéma échelle – Circuit électrique FS6600-FS8400

PRD 66/PRD 84 DIESEL, JOHN DEERE, W/DEUTSCH CONNECTORS



COMPONENT DESIGNATORS FOR PRO 66/ PRO 84

| DESIG | DEVICE | FUNCTION | PART NO |
|-------|--------------------|----------------------------------------|----------------|
| ALT | ALTERNATOR | BATTERY CHARGING | 166708 |
| CR1 | CONTROL RELAY | POWER TO FUSE BLOCK | SEE JOHN DEERE |
| CR3 | CONTROL RELAY | ENGINE GLOW PLUGS | 181065 |
| CR4 | CONTROL RELAY | ENGINE FUEL SOLENOID | 166708 |
| CR5 | CONTROL RELAY | BLADE SHAFT CLUTCH | 166708 |
| F1 | FUSE, 5A | ALTERNATOR EXCITATION | 166857 |
| F2 | FUSE, 5A | ENGINE GAUGES | 166857 |
| F3 | FUSE, 30A | FUEL SOLENOID | 542198815 |
| F4 | FUSE, 5A | RAISE-LOWER CIRCUIT | 166857 |
| F5 | FUSE, 10A | AXLE STEER (OPTIONAL) | 166855 |
| F6 | FUSE, 10A | WATER PUMP (OPTIONAL) | 166855 |
| F7 | FUSE, 10A | LIGHT KIT (OPTIONAL) | 166855 |
| F8 | FUSE, 10A | CLUTCH (OPTIONAL) | 166855 |
| GA1 | GAUGE | HOURLY METER | 166221 |
| GA2 | GAUGE | ENGINE TACHOMETER | 542206673 |
| GA3 | GAUGE | ENGINE COOLANT TEMPERATURE | 166359 |
| GA4 | GAUGE | BATTERY VOLT METER | 166438 |
| IL1 | INDICATOR LAMP | LOW OIL PRESSURE | 542206418 |
| LS1 | LIMIT SWITCH | NEUTRAL START | 176398 |
| LS2 | LIMIT SWITCH | DEPTH STOP | 539301153 |
| M1 | MOTOR | ENGINE STARTER | 542199656 |
| M2 | MOTOR | HYDRAULIC LIFT PUMP | 542199096 |
| M3 | MOTOR | REAR AXLE TRACK ADJUSTMENT | |
| MPU1 | MAG PICKUP SENSOR | ENGINE RPM | 542205120 |
| MPU2 | MAG PICKUP SENSOR | BLADESHAFT RPM (OPTIONAL) | 542206395 |
| P1 | CONNECTOR | ENGINE HARNESS TO INSTRUMENT ENCL. | |
| P2 | CONNECTOR | COWL HARNESS TO INSTRUMENT ENCL. | |
| PS1 | PRESSURE SWITCH | ENGINE OIL PRESSURE | SEE JOHN DEERE |
| PS2 | PRESSURE SWITCH | BLADE WATER PRESSURE | 178724 |
| SS | SOLENOID RELAY | ENGINE START SOLENOID | SEE JOHN DEERE |
| SV1 | SOLENOID VALVE | LOWER SAW | 166594 |
| SV2 | SOLENOID, FUEL | ENGINE FUEL SOLENOID | SEE JOHN DEERE |
| SW1 | SWITCH (KEY) | ENGINE, OFF-RUN-START | 166707 |
| SW2 | SWITCH (PUSH-PULL) | EMERGENCY STOP | 176383 |
| SW3 | SWITCH (ROCKER) | WATER SWITCH OFF | 542182219 |
| SW4 | SWITCH (TOGGLE) | LIFT SWITCH, RAISE-OFF-LOWER | 182102 |
| SW5 | SWITCH (ROCKER) | DEPTH STOP SWITCH, ON-OFF | 542182219 |
| SW6 | SWITCH (TOGGLE) | ETRAK STEER, LEFT-OFF-RIGHT (OPTIONAL) | 542201593 |
| SW7 | SWITCH (TOGGLE) | LIGHT SWITCH, ON-OFF (OPTIONAL) | 166603 |
| SW8 | SWITCH (ROCKER) | CLUTCH SWITCH, ON-OFF (OPTIONAL) | 542182220 |
| SW9 | SWITCH (TOGGLE) | ENGINE - BLADESHAFT RPM (OPTIONAL) | 183382 |
| TS1 | TEMP SENDER | ENGINE COOLANT TEMPERATURE | 542199361 |



542182282

Diagram 4: Ladder Diagram - FS6600 - FS8400 Electrical
Diagrama esquemático 4: Diagrama esquemático escalonado - Eléctrico
FS6600 - FS8400

Schéma 4 : Schéma échelle – Circuit électrique FS6600-FS8400

COMPONENT DESIGNATORS FOR FS 6600 D AND FS 8400 D
INDICADORES DE COMPONENTES PARA FS 6600 D Y FS 8400 D
CODES DE COMPOSANTS POUR FS 6600 D ET FS 8400 D

| DESIG | DEVICE | FUNCTION | PART NO |
|-------|--------------------|----------------------------------------|----------------|
| ALT | ALTERNATOR | BATTERY CHARGING | SEE JOHN DEERE |
| CR1 | CONTROL RELAY | POWER TO FUSE BLOCK | 166708 |
| CR3 | CONTROL RELAY | ENGINE GLOW PLUGS | 181065 |
| CR4 | CONTROL RELAY | ENGINE FUEL SOLENOID | 166708 |
| CR5 | CONTROL RELAY | BLADE SHAFT CLUTCH | 166708 |
| F1 | FUSE, 5A | ALTERNATOR EXCITATION | 166857 |
| F2 | FUSE, 5A | ENGINE GAUGES | 166857 |
| F3 | FUSE, 30A | FUEL SOLENOID | 542198815 |
| F4 | FUSE, 5A | RAISE-LOWER CIRCUIT | 166857 |
| F5 | FUSE, 10A | AXLE STEER (OPTIONAL) | 166855 |
| F6 | FUSE, 10A | WATER PUMP (OPTIONAL) | 166855 |
| F7 | FUSE, 10A | LIGHT KIT (OPTIONAL) | 166855 |
| F8 | FUSE, 10A | CLUTCH (OPTIONAL) | 166855 |
| GA1 | GAUGE | HOURLY METER | 166221 |
| GA2 | GAUGE | ENGINE TACHOMETER | 542206673 |
| GA3 | GAUGE | ENGINE COOLANT TEMPERATURE | 166359 |
| GA4 | GAUGE | BATTERY VOLTMETER | 166438 |
| IL1 | INDICATOR LAMP | LOW OIL PRESSURE | 542206418 |
| LS1 | LIMIT SWITCH | NEUTRAL START | 176398 |
| LS2 | LIMIT SWITCH | DEPTH STOP | 539301153 |
| M1 | MOTOR | ENGINE STARTER | 542199656 |
| M2 | MOTOR | HYDRAULIC LIFT PUMP | 542199096 |
| M3 | MOTOR | REAR AXLE TRACK ADJUSTMENT | |
| MPU1 | MAG PICKUP SENSOR | ENGINE RPM | 542205120 |
| MPU2 | MAG PICKUP SENSOR | BLADESHAFT RPM (OPTIONAL) | 542206395 |
| P1 | CONNECTOR | ENGINE HARNESS TO INSTRUMENT ENCL. | |
| P2 | CONNECTOR | COWL HARNESS TO INSTRUMENT ENCL. | |
| PS1 | PRESSURE SWITCH | ENGINE OIL PRESSURE | SEE JOHN DEERE |
| PS2 | PRESSURE SWITCH | BLADE WATER PRESSURE | 178724 |
| SS | SOLENOID RELAY | ENGINE START SOLENOID | SEE JOHN DEERE |
| SV1 | SOLENOID VALVE | LOWER SAW | 166594 |
| SV2 | SOLENOID, FUEL | ENGINE FUEL SOLENOID | SEE JOHN DEERE |
| SW1 | SWITCH (KEY) | ENGINE, OFF-RUN-START | 166707 |
| SW2 | SWITCH (PUSH-PULL) | EMERGENCY STOP | 176383 |
| SW3 | SWITCH (ROCKER) | WATER SWITCH OFF | 542182219 |
| SW4 | SWITCH (TOGGLE) | LIFT SWITCH, RAISE-OFF-LOWER | 182102 |
| SW5 | SWITCH (ROCKER) | DEPTH STOP SWITCH, ON-OFF | 542182219 |
| SW6 | SWITCH (TOGGLE) | ETRAX STEER, LEFT-OFF-RIGHT (OPTIONAL) | 542201593 |
| SW7 | SWITCH (TOGGLE) | LIGHT SWITCH, ON-OFF (OPTIONAL) | 166603 |
| SW8 | SWITCH (ROCKER) | CLUTCH SWITCH, ON-OFF (OPTIONAL) | 542182220 |
| SW9 | SWITCH (TOGGLE) | ENGINE - BLADESHAFT RPM (OPTIONAL) | 183382 |
| TS1 | TEMP SENDER | ENGINE COOLANT TEMPERATURE | 542199361 |



www.husqvarnacp.com

504 63 69-01