



GB

Operator's manual

Please read the operator's manual carefully and make sure you understand the instructions before using the machine.

ES

Manual de instrucciones

Lea detenidamente el manual de instrucciones y asegúrese de entender su contenido antes de utilizar la máquina.

DE

Bedienungsanweisung

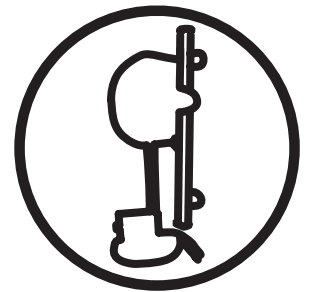
Lesen Sie die Bedienungsanweisung sorgfältig durch und machen Sie sich mit dem Inhalt vertraut, bevor Sie das Gerät benutzen.

FR

Manuel d'utilisation

Lire attentivement et bien assimiler le manuel d'utilisation avant d'utiliser la machine.

WS 462



GB ES DE FR

KEY TO SYMBOLS

Symbols on the machine:

WARNING! The machine can be a dangerous tool if used incorrectly or carelessly, which can cause serious or fatal injury to the operator or others.



Please read the operator's manual carefully and make sure you understand the instructions before using the machine.



Always wear:

- Approved protective helmet
- Approved hearing protection
- Protective goggles or a visor
- Breathing mask

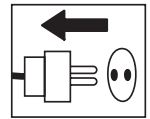


This product is in accordance with applicable EC directives.

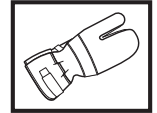


Symbols in the operator's manual:

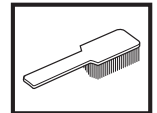
Inspection and/or maintenance should be carried out with the motor switched off and the plug disconnected.



Always wear approved protective gloves.



Regular cleaning is required.



Visual check.



Protective goggles or a visor must be worn.



CONTENTS

Contents

KEY TO SYMBOLS

Symbols on the machine:	2
Symbols in the operator's manual:	2

CONTENTS

Contents	3
----------------	---

WHAT IS WHAT?

What is what on the wall saw?	4
-------------------------------------	---

SAFETY INSTRUCTIONS

Steps before using a new wall saw	5
Personal protective equipment	5
General safety precautions	6
General working instructions	6
Basic working techniques	7

PRESENTATION

WS 462	8
--------------	---

ASSEMBLY

Mount wall mountings and rail	9
Mount the saw carriage and saw	10
Fit the blade	10
Flush cutting	11
Fit the blade guard	12
Connect the hydraulic unit	12

STARTING AND STOPPING

Before starting	13
Starting	13
Stopping	13
Dismantling the saw	13
Cleaning	13

SETTINGS AND ADJUSTMENTS

Adjusting the guide wheels	14
Adjust the saw carriage	14

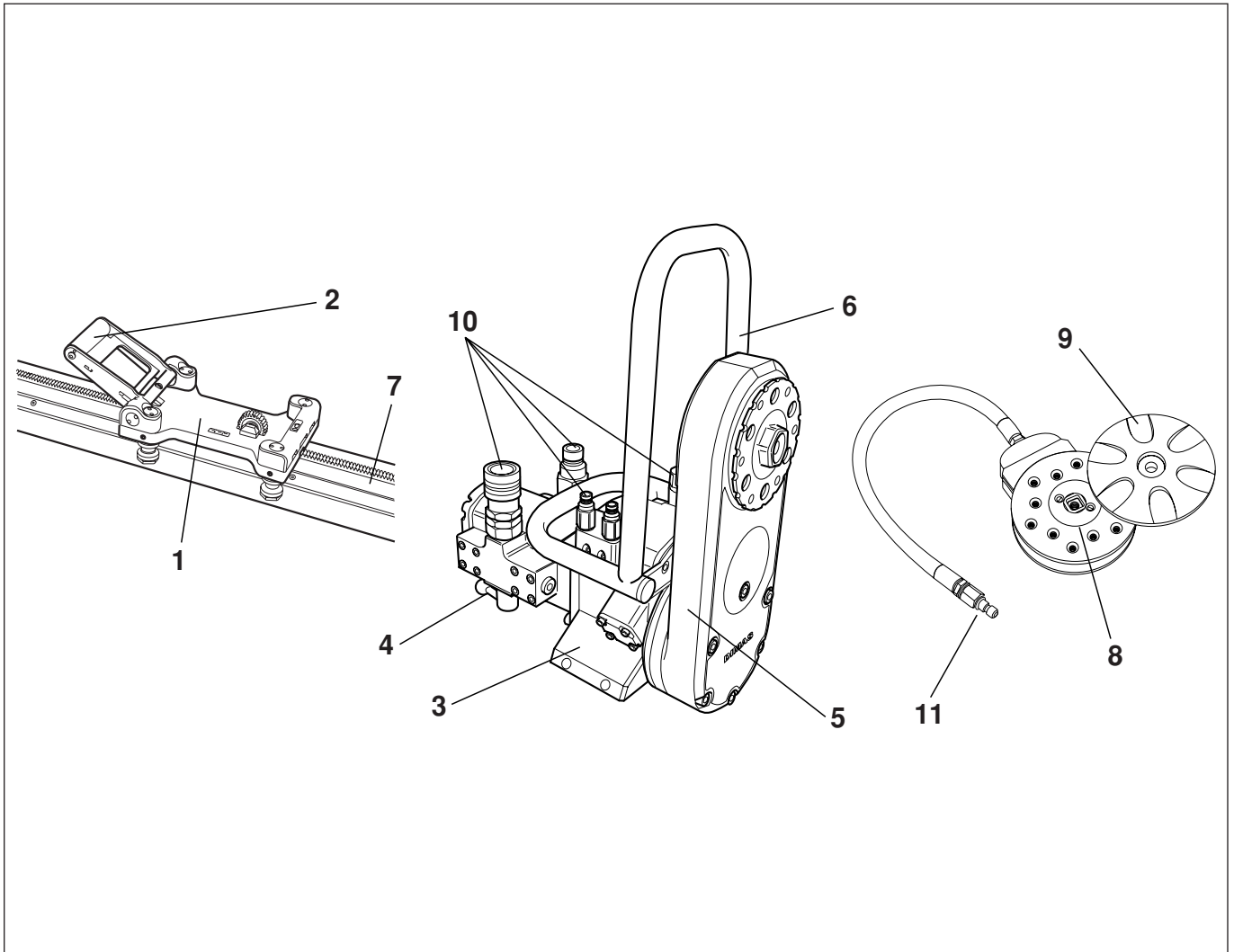
MAINTENANCE

Service	15
Maintenance	15
Daily maintenance	15

TECHNICAL DATA

WS 462	16
EC-declaration of conformity	17

WHAT IS WHAT?



What is what on the wall saw?

- | | |
|---------------------|-------------------------------|
| 1 Saw carriage | 7 Track |
| 2 Locking handle | 8 Blade flange hub |
| 3 Saw unit | 9 Outer blade flange |
| 4 Speed valve | 10 Hydraulic hose connections |
| 5 Cutting arm | 11 Water connector |
| 6 Blade guard guide | |

SAFETY INSTRUCTIONS

Steps before using a new wall saw

- Please read the operator's manual carefully and make sure you understand the instructions before using the machine.
- This machine is designed for and intended for sawing concrete, brick and different stone materials. All other use is improper.
- This machine is only intended for use together with a Husqvarna PP 345 and Husqvarna RC 348. All other use is forbidden.
- The machine is intended for use in industrial applications by experienced operators.
- Please read the operator's manual supplied with the hydraulic unit before using the machine.
- The machine can cause serious personal injury. Read the safety instructions carefully. Learn how to use the machine.

Always use common sense

It is not possible to cover every conceivable situation you can face. Always exercise care and use your common sense. Avoid all situations which you consider to be beyond your capability. If you still feel uncertain about operating procedures after reading these instructions, you should consult an expert before continuing.

Do not hesitate to contact your dealer if you have any more questions about the use of the machine. We will willingly be of service and provide you with advice as well as help you to use your machine both efficiently and safely.

Let your Husqvarna dealer regularly check the machine and make essential adjustments and repairs.

All information and all data in the Operator's Manual were applicable at the time the Operator's Manual was sent to print.



WARNING! Under no circumstances should you modify the original design of the machine without approval from the manufacturer. Always use original spare parts. Unauthorised modifications and/or accessories may lead to serious injury or death to the user or others.



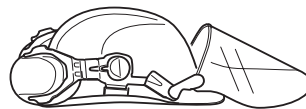
WARNING! Use of products which cut, grind, drill, sand or shape material can generate dust and vapors which may contain harmful chemicals. Know the nature of the material being worked on and wear appropriate dust mask or respirator protection.

Personal protective equipment

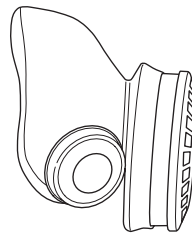


WARNING! You must use approved personal protective equipment whenever you use the machine. Personal protective equipment cannot eliminate the risk of injury but it will reduce the degree of injury if an accident does happen. Ask your dealer for help in choosing the right equipment.

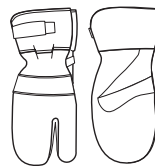
- Protective helmet
- Hearing protection
- Protective goggles or a visor



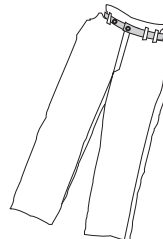
- Breathing mask



- Heavy-duty, firm grip gloves.



- Tight-fitting, heavy-duty and comfortable clothing that permits full freedom of movement.



- Boots with steel toe-caps and non-slip sole.



- Always have a first aid kit nearby.



SAFETY INSTRUCTIONS

General safety precautions

Do not use the machine without first reading and understanding the contents of this Operator's Manual.



WARNING! There is always a risk of crush injuries when working with products containing moving parts. Wear protective gloves to avoid body injuries.

- Never use the machine if you are tired, if you have drunk alcohol, or if you are taking medication that could affect your vision, your judgement or your co-ordination.
- Wear personal protective equipment. See instructions under the heading Personal protective equipment.
- Keep all parts in good working order and ensure that all fixtures are properly tightened.
- Never use a machine that is faulty. Carry out the checks, maintenance and service instructions described in this manual. Some maintenance and service measures must be carried out by trained and qualified specialists. See instructions under the heading Maintenance.
- Do not modify safety equipment. Check regularly that they function as they should. The machine must not be run with defective or disassembled safety equipment.
- Never allow anyone else to use the machine without first ensuring that they have understood the contents of the operator's manual.
- People and animals can distract you causing you to lose control of the machine. For this reason, always remain concentrated and focused on the task.
- Be careful as clothing, long hair, and jewellery can get caught in moving parts.
- Observe care when lifting. You are handling heavy parts, which implies the risk of pinch injuries or other injuries.

Transport and storage

- Always switch off the power to the hydraulic unit and disconnect the hoses to the saw unit before moving the equipment.
- Dismount the blade and blade guard before transport and storage.
- Store the equipment in a lockable area so that it is out of reach of children and unauthorised persons.
- Use the cases provided to store the equipment.

General working instructions



WARNING! This section describes basic safety directions for using a wall saw. This information is never a substitute for professional skills and experience. If you get into a situation where you feel unsafe, stop and seek expert advice. Contact your dealer, service agent or an experienced user. Do not attempt any task that you feel unsure of!

- All operators shall be trained in the use of the machine. The owner is responsible for ensuring that the operators receive training.
- Check that the blade guard is not damaged and that it has been fitted correctly.
- Never use blades other than original blades designed for the machine. Check with your Husqvarna dealer to see which blades are best suited for your usage.
- Never use a damaged or worn blade.
- Never mount or dismount the blade or blade guard without first switching off the hydraulic unit and disconnecting the hydraulic hoses running to the saw unit.
- Never cut without using the blade guard.
- Check that the blade is not in contact with anything when the machine is started.
- Remain at a distance from the blade when the engine is running.
- Water cooling must always be used. This cools the blades and increases their life and prevents dust build-up.
- Check that all couplings, connections and hydraulic hoses are in full working order.
- Keep the hydraulic hoses and couplings free from dirt.
- Do not misuse hoses.
- Do not use hoses that are distorted, worn or damaged.
- Check that the hoses are connected correctly to the machine and that the hydraulic couplings lock as intended before pressurising the hydraulic system. The couplings are locked by turning the outer sleeve on the female coupling so that the slot moves away from the ball.
- Never use the hydraulic hoses to lift the saw.
- Check the machine, couplings and hydraulic hoses daily for leakage. A rupture or leak can cause a "hydraulic fluid injection" in the body or result in other serious physical injury.
- Never disconnect the hydraulic hoses without first shutting off and disconnecting the hydraulic unit and ensuring the motors have stopped completely.
- Do not exceed the specified hydraulic fluid flow or pressure for the tool being used. Excessive pressure or flow can result in rupturing.
- Hoses that are marked and approved as electrically non conductive must be used when using hydraulic tools on or in the vicinity of electrical cables. The use of other types of hoses can result in serious physical injury or even death.

SAFETY INSTRUCTIONS

- Run the hydraulic system until it reaches its operation temperature of 30°C before starting to saw, to reduce return pressure and other wear.
- Clearly mark out all cuts to be made before you start sawing, plan these so they can be carried out without danger to persons or the machine.
- Firmly secure or anchor concrete blocks before cutting. The heavy weight of cut material can cause extensive damage if it is not moved under controlled conditions.
- Always check the back of the wall where the blade comes out when cutting through. Secure, cordon off and make sure that no people can be injured or materials damaged.
- Always check and mark out where gas pipes are routed. Cutting close to gas pipes always entails danger. Make sure that sparks are not caused when cutting in view of the risk of explosion. Remain concentrated and focused on the task. Carelessness can result in serious personal injury or death.
- Make sure that no pipes or electrical cables are routed in the area to be cut.
- Check that electrical cables within the working area are not live.
- Never leave the machine unsupervised with the engine running.
- Never saw in such a way that you cannot easily reach the emergency stop on the hydraulic unit or the stop button on the remote control. See hydraulic unit manual.
- Make sure that there is always another person close at hand when you use the machines, so that you can call for help if an accident should occur.
- People that need to be in close proximity of the machine must wear hearing protection as the sound level when cutting exceeds 85 dB(A).
- Make sure that no people or animals come closer than 4 m (15 ft) when the machine is running.
- Do not use the machine in bad weather, such as dense fog, rain, strong wind, intense cold, etc. Working in bad weather is tiring and can lead to dangerous conditions, e.g. slippery surfaces.
- Ensure that the working area is sufficiently illuminated to create a safe working environment.
- Always ensure you have a safe and stable working position.
- Observe care when lifting. You are handling heavy parts, which implies the risk of pinch injuries or other injuries.



WARNING! Never use a blade for any other materials than that it was intended for.

Operating saw blades at rotational speeds greater than those recommended by the manufacturer can cause blade damage and possibly subsequent injury. See the Technical data section.

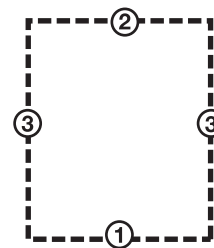
Basic working techniques



- Always start by cutting a pilot cut. This is done by feeding the blade 3-7 cm (1,2"-2,8"). Now make the pilot cut. The cut should not be made at maximum speed, but with care in order to obtain a straight cut and with that a basis for the next cut. The cutting arm allows blades up to 1 000 mm (40") to be used as the start blade. It is, however, recommended to start cutting with an 800 mm (31.5") blade.
- When the pilot cut is finished, a deeper cut can be made. The depth of these is determined from instance to instance and depends on factors such as hardness of the concrete, existence of reinforcing bar, etc. Max. diameter of the blade for deeper cuts is 1,200 mm (47").
- If you change blades to cut deeper in the same cut, make sure the thickness of the blade matches the width of the groove.
- Let the machine work without forcing or pressing the blade.
- Firmly secure or anchor concrete blocks before cutting. The heavy weight of cut material can cause extensive damage if it is not moved under controlled conditions.

Cutting of blocks

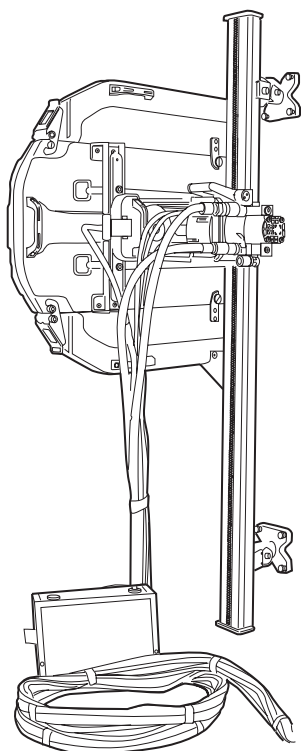
- First make the lower horizontal cut. Now make the upper horizontal cut. Finish with the two vertical cuts.



- If the upper horizontal cut is made before the lower horizontal cut, the work piece will fall on the blade and jam it.
- When making the last cut, the saw should be mounted on an adjacent fixed wall.
- As the rail is symmetrical, the saw unit can be turned to make a new cut on the other side of the rail. In this way a cut piece is obtained that is in an easily handled size, making it easier to remove from the workplace.
- Since the blade rotation direction can be selected, the water spray from the blade can also be selected regardless of how the saw is turned on the rail.

PRESENTATION

WS 462



It is our wish that you will be satisfied with your product and that it will be your companion for a long time. Think of this operator's manual as a valuable document. By following its' content (using, service, maintenance etc) the life span and the second-hand value of the machine can be extended. If you will sell this machine, make sure that the buyer will get the operator's manual.

A purchase of one of our products gives you access to professional help with repairs and services. If the retailer who sells your machine is not one of our authorised dealers, ask him for the address of your nearest service workshop.

Husqvarna Construction Products has a policy of continuous product development. Husqvarna reserves the right to modify the design and appearance of products without prior notice and without further obligation introduce design modifications.

General

WS 400 is a series of completely new complete wall saws from Husqvarna. The intention when developing the Husqvarna WS 400 series has been to produce a very light yet powerful wall saw that is easy for one person to handle using modern production methods and high performance materials.

Among the new features on the WS 400 series is the possibility to secure the blade radially on the saw. As the saw unit is mounted on a carriage using a quick-action mounting instead of directly on the rail, assembly of the saw is significantly easier.

To utilise the input effect in the best possible way the saw is mounted on Husqvarna' the latest rail. This is a very stable rail, which allows the saw to be controlled more precisely, which in turn results in more efficient cutting. As the equipment's component parts work with small losses and as the blade is moved in 50 mm closer to the rail compared to earlier models, which has also resulted in a saw with an extremely compact design and at the same time as efficiency has increased.

Complete saw equipment consists of:

- One saw
- One track 1.2 m
- One track 2 m
- Four wall mountings
- One track holder
- One connector
- One blade guard 800 or one blade guard 1000
- One blade guard guide
- One tool kit
- One bottle of Husqvarna oil 150

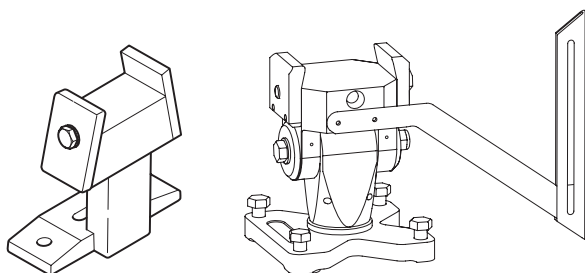
Transport cases for the different units The saw carriage is mounted on both the long and short rails at the factory to make cutting as easy as possible.

As a large part of the sawing work consists transporting, the saw equipment is supplied in specially produced cases. The cases provide good protection during transport and reduced the number of packages that need to be moved between the workplaces, which makes the work more effective.

ASSEMBLY

Mount wall mountings and rail

There are two types of wall mounting available for the Husqvarna WS 400 series. One, the standard wall mounting, which is supplied on delivery, and secondly the universal swivel wall mounting.



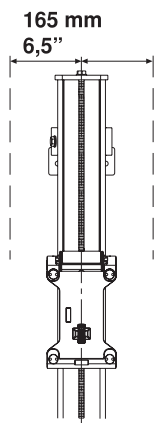
IMPORTANT! The Husqvarna WS 400 series may only be used with the two wall mountings described above. Older Husqvarna wall mountings are similar to the new standard wall mounting, but have a longer base. This mounting must not be used with the WS 400 series as there is a risk that the arm catches on the base of the mounting.

Use the universal wall mounting when cutting doors, cutting flush, cutting at angles and stair cutting as well as groove cutting. If you only require an everyday straight cut you use the fixed mounting.

Fit the universal wall mounting for the required cutting method (See the separate manual).

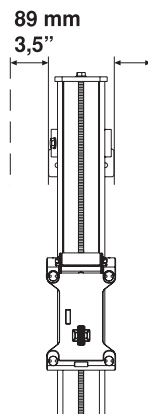
Fit the standard wall mounting as set out below:

- 1 Mark off the cutting line and mark off the expander bolts holes 165 mm (6.5") from the cutting line.



- 2 Drill 15 mm (5/8") holes for the M12 (1/2") expander bolts.
- 3 Hang the wall mountings loosely from the expander bolts, using M6S 12 x 70 (1/2"x2") or similar.
- 4 Place the rail in the wall mountings and tighten the compression washers.
- 5 Check that the rail is properly aligned with the tracks on the wall mounts before tightening the screws.

- 6 Adjust the distance between the cutting line and the wall mounting. The distance between the edge and the inner face of the saw cut should be 89 mm (3.5"). Tighten the expander bolts.



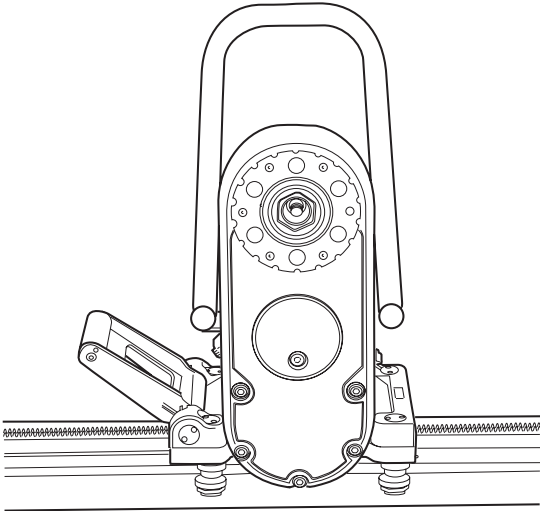
IMPORTANT! Only use the connectors supplied when purchasing the saw as older connectors are not designed for the WS 400 series.

ASSEMBLY

Mount the saw carriage and saw

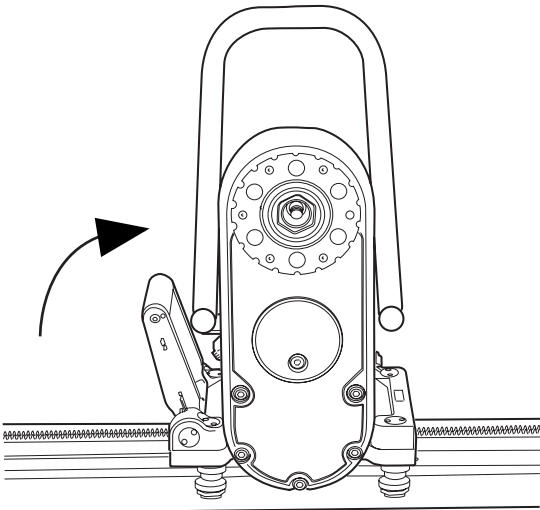
The saw carriage is mounted on the rail at delivery. The carriage can be dismounted from the rail by removing the end stop on the rail and pulling the carriage away.

- 1 Fit the saw body in the saw carriage by lifting the saw body into position. When the saw is lifted into position, the locking handle moves up into an intermediate position. In this position the saw remains in the saw carriage without it needing to be held. However, it is not sufficiently secured to begin cutting.



For vertical cuts, the rail must be mounted with the saw carriage lock handle upwards. This to facilitate fitting the saw unit.

- 2 To secure the saw, lift the locking handle towards the saw until the handle locks.



WARNING! To cut without the saw securely assembled in the saw carriage and rail is associated with mortal danger.

Fit the blade

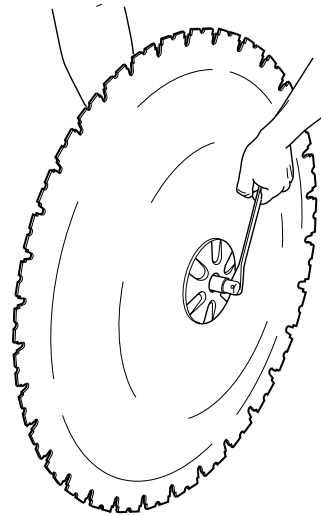


WARNING! Never mount or dismount the blade or blade guard without first switching off the hydraulic unit and disconnecting the hydraulic hoses running to the saw unit. Carelessness can result in serious personal injury or even death.

On the Husqvarna WS 400-series the blade is fitted in an entirely new way. The new mounting permits, in addition to the tradition way of securing the blade, the possibility to secure the blade radially both quickly and easily:

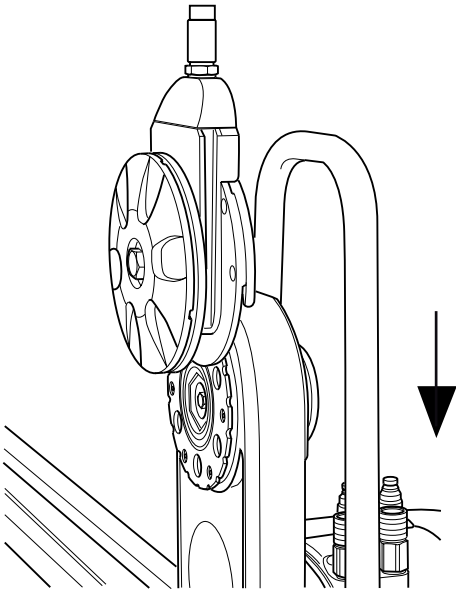
- 1 Start by removing any dirt from the contact surfaces on the blade flange and blade.
- 2 Check the blade's direction of rotation. The blade should rotate anticlockwise seen from the saw side and the released part of the diamond should lie in the blade's direction of rotation.
- 3 Since the blade rotation direction can be selected, the water spray from the blade can also be selected regardless of how the saw is turned on the rail.

Screw together the outer blade flange, blade and blade flange hub (tightening torque 70-80 Nm).

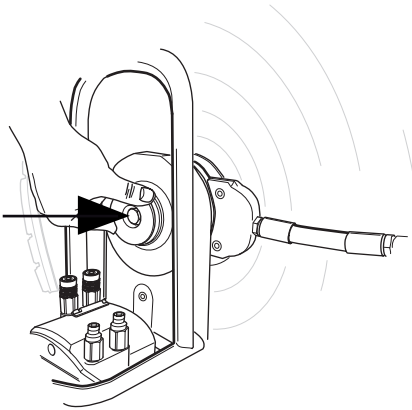


ASSEMBLY

- 4 Hang the blade with the blade flange and blade flange hub fitted on the cutting arm (blade is not shown in the figure).



- Turn the blade flange hub carefully so that it slides into one of the tracks in the pivot arm and lands in the correct position to be screwed fast.
- 5 Press in the blade spindle into the cutting arm at the same time as the blade is rotated carefully. When the blade spindle can no longer be pressed in by hand it should be tightened using the supplied 18-spanner until it is properly secured (tightening torque 70-80 Nm).

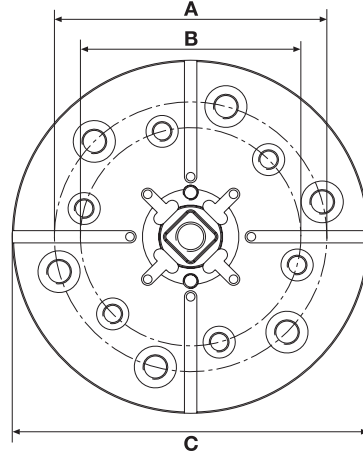


WARNING! Exercise care when assembling the blade so that it does not risk becoming loose when cutting. Carelessness can result in serious personal injury or even death.

Flush cutting



Screw off the outer blade flange and mount the blade on the blade flange hub.



A=110 mm/4.33 inch, 6xM10

B=89 mm/3.5 inch, 6xM8

C=144 mm/5.7 inch

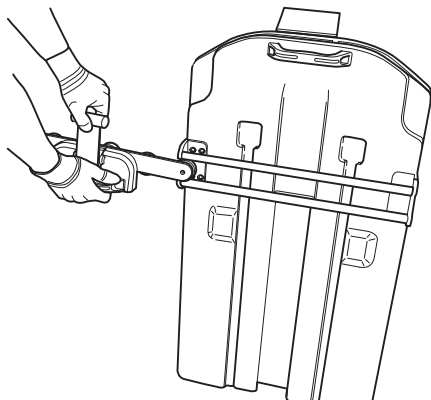
ASSEMBLY

Fit the blade guard

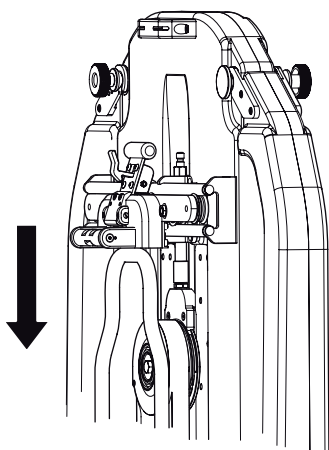


WARNING! Never mount or dismount the blade or blade guard without first switching off the hydraulic unit and disconnecting the hydraulic hoses running to the saw unit. Carelessness can result in serious personal injury or even death.

- 1 Slip in the blade guard guide between the stays on the blade guard. Place the blade guard guide in the middle. Lock the plastic heel on the handle to the upper stay on the blade guard.

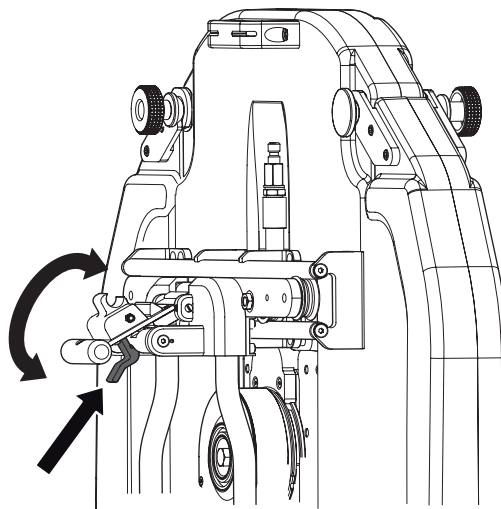


- 2 Make sure that the pivot arm is positioned vertically. Lift the blade guard over the blade and hang the guard in the blade guard holder on the saw. Exercise care so that the runners on the blade guard are positioned in the slots on the water block.



- 3 Lock the blade guard by pulling the handle out of the guard and then down towards the saw unit so that the latch locks the handle.

- 4 To remove the guard, release the latch and pull the handle upwards and inwards to the guard. Lock the plastic heel on the upper stay.



Connect the hydraulic unit

IMPORTANT! This machine is only intended for use together with a Husqvarna PP 345 and Husqvarna RC 348. All other use is forbidden.

Please read the operator's manual supplied with the hydraulic unit before using the machine.

When the saw unit, the blade and the blade guard are mounted, the hydraulic hoses and the water cooling should be connected.

There are two types of hydraulic hoses for the saw:

- The four thin hoses control the feed motors, i.e. the saw's travel feed on the rail and the feed - removal of the blade. The two thick hoses drive the blade.
- The couplings should be wiped clean to reduce the risk of leakage before the hoses are fitted. Both the thin and thick hoses are locked by turning the outer sleeve on the female coupling so that the groove in the sleeve moves away from the ball.

STARTING AND STOPPING

Before starting



- Enclose the area to be cut so that unauthorised persons can not be injured or disturb the operator.
- Check that the blade and the blade guard is not damaged or cracked. Replace the blade or the blade guard if it is exposed to impact or is cracked.
- Make sure that all hydraulic hoses and connections are intact and correctly connected, and that the water cooling is correctly connected and switched on.
- Check the oil level in the cutting unit. Adjust the speed valve on the saw motor to the correct position, depending on the blade diameter. (See the Cutting capacity table).
- If cutting is to begin in another position than where the saw unit is located, run the saw unit to the start position.

Starting



Follow the instructions for starting in the manual supplied with the hydraulic unit.

Stopping



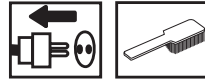
- Once cutting is completed, remove the blade from the wall and shut down the blade rotation and the water flow.
- Shut down the hydraulic unit.

Dismantling the saw

- 1 Allow the motor to stop completely.
- 2 Disconnect the incoming cables from the hydraulic unit.
- 3 Switch off the power to the hydraulic unit.
- 4 Disconnect the hydraulic hoses and the water hose from the saw unit.

The other steps are done in the reverse order to assembling.

Cleaning



The saw should be cleaned once cutting is finished. It is important to clean all the saw equipment. It is a good idea to disconnect the water hose from the pivot arm and use this to wash down the saw unit, rail, blade guard, wall mounting. If necessary you can also use a dish-brush or the like to clean the equipment. Do not use a high pressure washer to clean the saw.

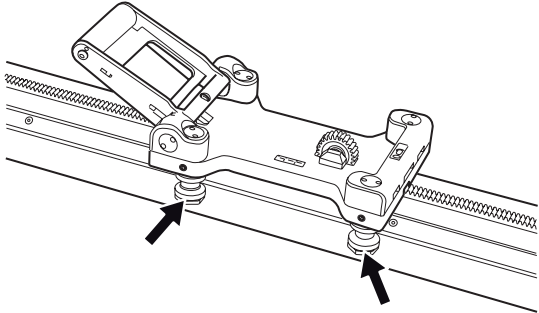
IMPORTANT! Do not use a high pressure washer to clean the saw.

SETTINGS AND ADJUSTMENTS

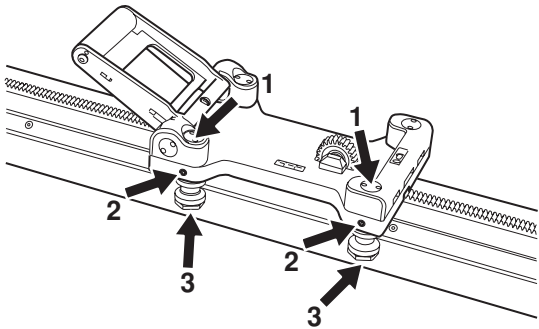
Adjusting the guide wheels

In order for the saw to run stably and saw a straight cut, the four guide wheels must rest against the rail and not have too much play. When there is too much play between the saw carriage and rail the guide wheels must be adjusted:

The two marked guide wheels have eccentric axles and by turning these the carriage is tightened onto the rail.



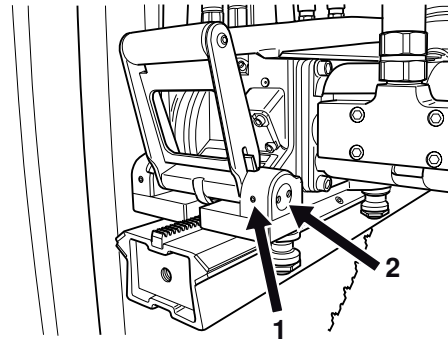
Start by loosening the marked nuts (1) with the supplied special tool. Now loosen the two stop screws (2). When these are loose, adjust the guide wheels (3) against the rail by turning them towards the rail so the play is taken up. Hold the guide wheels and screw in the stop screw. Now screw on the nuts to secure the guide wheels in the new position.



Adjust the saw carriage

As the saw wears, after a number of hours working, it can be a good idea to ensure that the saw sits firmly in the saw carriage and rail. If not, the handle probably needs adjusting:

Loosen the marked (1) socket headed screw (one on each side of the handle). Now turn the eccentric axles (2) with the help of the supplied special tool until the axle lies tight against the saw. Now tighten the socket headed screw.



MAINTENANCE

Service



IMPORTANT! All types of repairs may only be carried out by authorised repairmen. This is so that the operators are not exposed to great risks.

After 100 hours of operation, the message "Time for servicing" is displayed. The entire equipment shall then be taken to an authorized Husqvarna dealer for servicing.

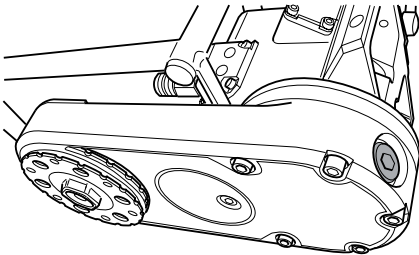
Maintenance



IMPORTANT! Inspection and/or maintenance should be carried out with the motor switched off and the plug disconnected.

Oil change cutting arm

There is an oil plug for draining the oil located on the cutting arm. This plug should be cleaned when changing the oil. The new oil is filled through the hole where the oil plug sits.

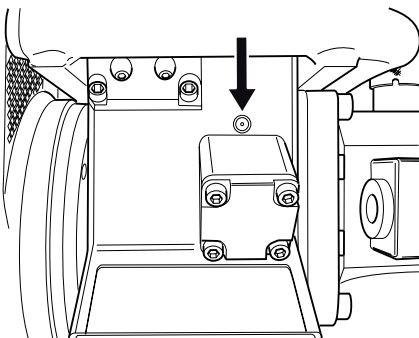


The cutting arm contains 1 dl of Husqvarna Oil 150, a transmission oil of the type EP 150. The oil should be replaced for the first time in connection with the first service. A 1 dl bottle of oil is supplied when the machine is new.

IMPORTANT! Used engine oil and transmission oil is hazardous to health and must not be disposed of in the ground or out of doors.

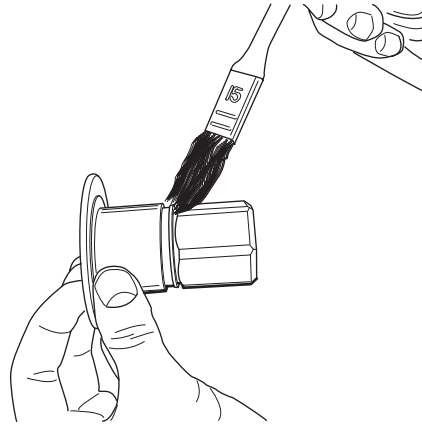
Lubrication of feeder gears

There are two grease nipples on every saw unit. Through these the gears for the feeding engines can be lubricated. Lubricate daily or at least every 30 hours of operation. Use VEIDEC POWER LUBE or corresponding grease.



Grease the blade spindle

In order for the blade spindle to be fitted as easily as possible, it may be necessary to grease the hexagonal blade spindle. At the same time check that the hexagon is not damaged.



Daily maintenance



- 1 Check that all couplings, connections and hydraulic hoses are in full working order.
- 2 Clean the outside of the machine. Do not use a high pressure washer to clean the saw.
- 3 Check that the blade and th blade guard is not damaged or cracked. Replace the blade or the blade guard if it is exposed to impact or is cracked.

TECHNICAL DATA

WS 462

Weight

Saw carriage, kg/lbs	3,7/8,15
Saw unit, kg/lbs	21/46,3
Blade guard kg/lbs	15/33
Track 1200 mm (47") kg/lbs	12,2/26,9
Track 2000 mm (79") kg/lbs	17,2/37,9

Hydraulic fluid flow, max, l/m / gpm	55/14,5
Pressure max, bar/psi	230/3340
Travel feed	Hydraulic
Depth feed	Hydraulic

The stated weight for the two rails refers to one rail with the saw carriage fitted. To find the weight of just the rail, you must deduct the weight of the saw carriage from the weight stated.

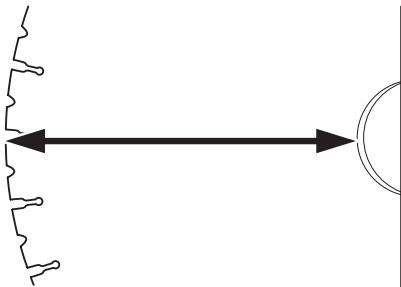
Cutting speed, m/s

Blade diameter, mm	600	700	800	1000	1200
Spindle speed 1260 rpm, pos 2	38	46	53		
Spindle speed 760 rpm, pos 1				40	48

Cutting speed, ft/min

Blade diameter, inches	24	28	32	40	47
Spindle speed 1260 rpm, pos 2	7480	9055	10433		
Spindle speed 760 rpm, pos 1				7874	9449

Cutting capacity



Blade diameter, mm/inches	Cutting capacity mm/inches
800/32	330/13
1000/40	430/17
1200/48	530/21

Never use blades other than original blades designed for the machine.

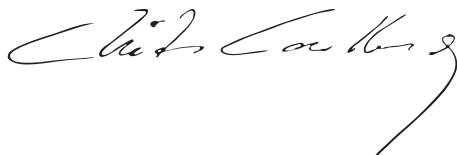
TECHNICAL DATA

EC-declaration of conformity

Husqvarna Construction Products Sweden AB, Box 2098, 550 02 Jönköping, Sweden, tel: 036-570 60 00, hereby declares that its WS 463 wall saw, from serial number 01001 onwards, is manufactured in compliance with the Council's machinery directive 98/37/EC, low-voltage directive 73/23/EEC and EMC directive 89/336/EEC, including subsequent amendments, and that the following standards have been used for guidance: EN 55 014-1, EN 55 014-2, EN 61 000-3-2, EN 50 144-1, EN 13 862.

The supplied wall saw conforms to the example that underwent EC type examination.

Jönköping 2005-01-01



Christer Carlberg
Managing Director

ACLARACIÓN DE LOS SÍMBOLOS

Símbolos en la máquina:

¡ATENCIÓN! La máquina, si se utiliza de forma errónea o descuidada, puede ser una herramienta peligrosa que puede causar daños graves e incluso la muerte al usuario y a otras personas.



Lea detenidamente el manual de instrucciones y asegúrese de entender su contenido antes de utilizar la máquina.



Utilice siempre:

- Casco protector homologado
- Protectores auriculares homologados
- Gafas protectoras o visor
- Máscara respiratoria

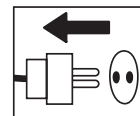


Este producto cumple con la directiva CE vigente.

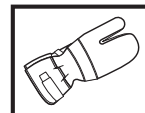


Símbolos en el manual de instrucciones:

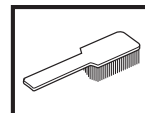
El control y/o mantenimiento de la máquina debe hacerse con el motor parado y el enchufe desenchufado.



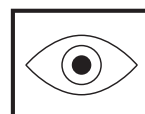
Utilice siempre guantes protectores homologados.



La máquina debe limpiarse regularmente.



Control visual.



Debe utilizarse gafas protectoras o visor.



Índice

ACLARACIÓN DE LOS SÍMBOLOS

Símbolos en la máquina:	18
Símbolos en el manual de instrucciones:	18

ÍNDICE

Índice	19
--------------	----

¿QUÉ ES QUÉ?

¿Componentes de la sierra de pared?	20
---	----

INSTRUCCIONES DE SEGURIDAD

Pasos necesarios antes de utilizar una sierra de pared nueva	21
Equipo de protección personal	21
Instrucciones generales de seguridad	22
Instrucciones generales de trabajo	22
Técnica básica de trabajo	23

PRESENTACIÓN

WS 462	24
--------------	----

MONTAJE

Riel y accesorios del soporte de pared	25
Instalación del carro y de la sierra	26
Monte el disco	26
Corte liso	27
Monte la protección del disco	28
Conecte la unidad hidráulica	28

ARRANQUE Y PARADA

Antes de arrancar	29
Arranque	29
Parada	29
Desmontaje de la sierra	29
Limpieza	29

REGLAJES Y AJUSTES

Ajuste de las ruedas de guía	30
Ajuste la sierra en el carro	30

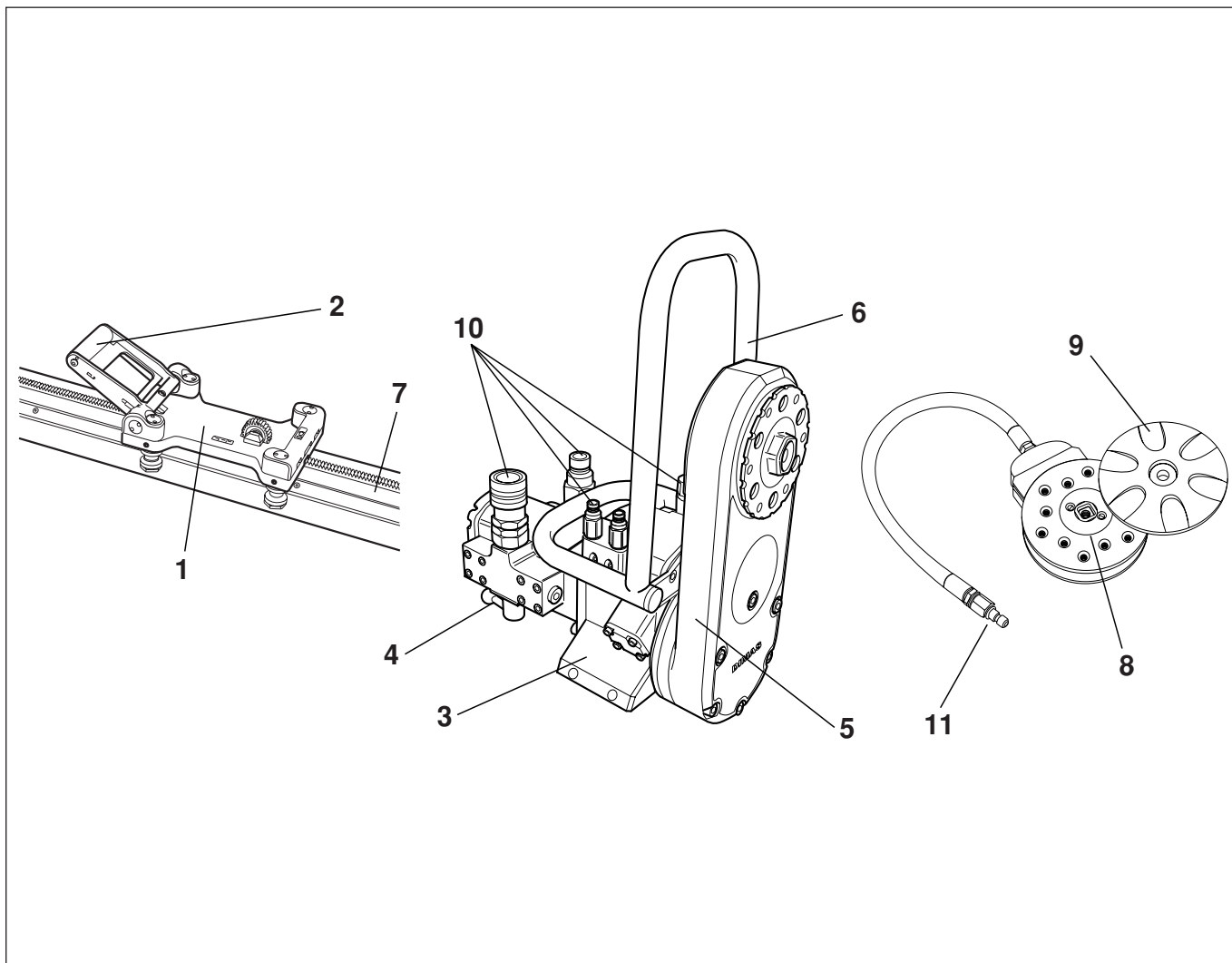
MANTENIMIENTO

Servicio	31
Mantenimiento	31
Mantenimiento diario	31

DATOS TÉCNICOS

WS 462	32
Declaración CE de conformidad	33

¿QUÉ ES QUÉ?



¿Componentes de la sierra de pared?

- | | |
|-----------------------------------|--|
| 1 Carro de la sierra | 7 Riel |
| 2 Empuñadura de bloqueo | 8 El cubo de brida de disco |
| 3 Unidad de sierra | 9 Brida exterior de acoplamiento de discos |
| 4 Válvula de velocidad | 10 Conexiones de las mangueras hidráulicas |
| 5 Brazo de corte | 11 Conexión de agua |
| 6 Guía de la protección del disco | |

INSTRUCCIONES DE SEGURIDAD

Pasos necesarios antes de utilizar una sierra de pared nueva

- Lea detenidamente el manual de instrucciones y asegúrese de entender su contenido antes de utilizar la máquina.
- Esta máquina está diseñada y prevista para serrar hormigón, ladrillos y distintos tipos de piedra. Cualquier otro uso se considerará inadecuado.
- Esta máquina sólo está destinada a ser utilizada junto con Husqvarna PP 345 y Husqvarna RC 348. Está prohibida cualquier otra aplicación.
- La máquina está destinada al uso por operadores experimentados, en aplicaciones industriales.
- Lea el manual de instrucciones suministrado con la unidad hidráulica antes de utilizar la máquina.
- La máquina puede ocasionar lesiones graves. Lea atentamente las instrucciones de seguridad. Aprenda a utilizar la máquina.

Emplee siempre el sentido común.

Es imposible abarcar todas las situaciones en las que puede encontrarse. Utilice siempre el equipo con cuidado y sentido común. Evite todas aquellas situaciones que considere que sobrepasan sus capacidades. Si, después de leer estas instrucciones, no está seguro del procedimiento que debe seguir, consulte a un experto antes de utilizar el equipo.

No dude en ponerse en contacto con su distribuidor si tiene preguntas acerca del uso de la máquina. Estaremos encantados de poder aconsejarle y ayudarle a utilizar la máquina de manera eficaz y segura.

Diríjase a su distribuidor de Husqvarna para que revise la máquina regularmente y para que realice ajustes y reparaciones básicas.

Toda la información y todos los datos contenidos en este manual de instrucciones son vigentes en la fecha de impresión del manual.



¡ATENCIÓN! No está permitido modificar el diseño original de la máquina, por ningún motivo, sin la autorización del fabricante. Utilice siempre accesorios originales. Las modificaciones y/o el uso de accesorios no autorizados comportan riesgo de daños personales graves y peligro de muerte para el usuario y otras personas.



¡ATENCIÓN! El uso de productos de corte, amolado, taladrado, lijado o formación de materiales puede generar polvo y vapores que pueden contener productos químicos perniciosos. Averigüe la índole del material de trabajo y utilice una máscara contra polvo o respiratoria adecuada.

Equipo de protección personal

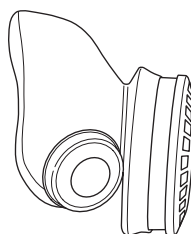


¡ATENCIÓN! Para trabajar con la máquina debe utilizarse un equipo de protección personal homologado. El equipo de protección personal no elimina el riesgo de lesiones, pero reduce su efecto en caso de accidente. Pida a su distribuidor que le asesore en la elección del equipo.

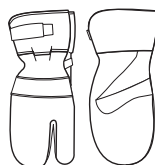
- Casco protector
- Protectores auriculares
- Gafas protectoras o visor



- Máscara respiratoria



- Guantes resistentes de agarre seguro.



- Prendas de vestir ceñidas, resistentes y cómodas que permitan una libertad de movimientos total.



- Botas con puntera de acero y suela antideslizante.



- Tenga siempre a mano el equipo de primeros auxilios.



INSTRUCCIONES DE SEGURIDAD

Instrucciones generales de seguridad

No utilice la máquina sin haber leído y comprendido el contenido de este manual de instrucciones.



¡ATENCIÓN! Existe siempre riesgo de accidentes por apriete al trabajar con aparatos con piezas móviles. Usar guantes protectores para evitar lesiones.

- Nunca utilice la máquina si está cansado, si ha ingerido alcohol o si toma medicamentos que puedan afectarle la vista, su capacidad de discernimiento o el control del cuerpo.
- Utilice el equipo de protección personal. Vea las instrucciones bajo el título Equipo de protección personal.
- Mantener todas las piezas en perfecto estado y comprobar que todos los elementos de fijación estén bien apretados.
- No utilice nunca una máquina defectuosa. Siga las instrucciones de mantenimiento, control y servicio de este manual. Algunas medidas de mantenimiento y servicio deben ser efectuadas por especialistas formados y cualificados. Vea las instrucciones bajo el título Mantenimiento.
- No modificar nunca los dispositivos de seguridad. Comprobar regularmente que funcionan como es debido. La máquina no se debe operar con dispositivos de seguridad defectuosos o ausentes.
- Nunca deje que terceros utilicen la máquina sin asegurarse primero de que hayan entendido el contenido de este manual de instrucciones.
- Las personas y los animales pueden distraer y hacer perder el control de la máquina. Por consiguiente, el operador debe estar siempre concentrado en su trabajo.
- Tener en cuenta que las ropas, el pelo largo y las joyas pueden atascarse en piezas móviles.
- Proceda con cuidado en las elevaciones. Las piezas son pesadas, por lo que hay riesgo de daños por apriete y daños personales de otro tipo.

Transporte y almacenamiento

- Desconecte siempre la alimentación de la unidad hidráulica y las mangueras que van hasta la unidad de serrado antes de mover el equipo.
- Desmonte el disco y el protector del disco antes de transportar y almacenar el equipo.
- Guarde el equipo en un lugar seguro fuera del alcance de los niños y las personas no autorizadas.
- Utilice las cajas suministradas para guardar el equipo.

Instrucciones generales de trabajo



¡ATENCIÓN! Este capítulo trata las normas de seguridad básicas para trabajar con la sierra de pared. Esta información no sustituye en ningún caso los conocimientos y la experiencia de un profesional. Si se enfrenta a alguna situación que le haga sentirse inseguro, deténgase y consulte a un experto. Consulte a su distribuidor, al taller de servicio técnico o a un usuario experimentado. No emplee la máquina en aplicaciones para las que no se considere plenamente cualificado.

- Todos los operadores deben ser formados en el empleo de la máquina. El propietario es responsable de la formación de los operadores.
- Compruebe que la protección del disco no esté rota y que está correctamente montada.
- Nunca utilice discos de corte distintos a los discos originales destinados a la máquina. Consulte con su distribuidor de Husqvarna acerca del disco más adecuado para su aplicación.
- No utilice nunca un disco de corte dañado o gastado.
- Nunca monte ni desmonte el disco ni el protector del disco sin haber apagado antes la unidad hidráulica y haber desconectado las mangueras hidráulicas que van hasta la unidad de serrado.
- No corte nunca sin utilizar el protector.
- Asegúrese de que el disco no toca en ningún objeto al arrancar la máquina.
- Manténgase alejado del disco mientras el motor esté en marcha.
- Debe emplearse siempre refrigeración por agua. Así se enfrían los discos de corte, se aumenta su durabilidad y se reduce la formación de polvo.
- Compruebe que todos los acoplamientos y conexiones, y las mangueras hidráulicas están intactos.
- Mantenga limpias de suciedad las mangueras y conexiones hidráulicas.
- No maltrate las mangueras.
- No utilice mangueras torcidas, gastadas o defectuosas.
- Compruebe que las mangueras estén conectadas adecuadamente en la herramienta y que las conexiones hidráulicas cierran como es debido antes de presurizar el sistema hidráulico. Las conexiones se fijan girando el manguito exterior del acoplamiento hembra para apartar la ranura de la bola.
- No eleve nunca la sierra agarrando las mangueras hidráulicas.
- Revise a diario la máquina, los acoplamientos y las mangueras hidráulicas para ver si hay fugas. Una grieta o rotura puede producir una inyección de aceite en el cuerpo o daños personales graves de otro tipo.
- No desacople nunca mangueras hidráulicas sin antes haber desactivado el equipo hidráulico y parado totalmente el motor.
- No se debe sobrepasar el caudal ni la presión de aceite especificados para las herramientas que se utilizan. Un caudal o presión demasiado altos pueden causar fugas o explosión.

INSTRUCCIONES DE SEGURIDAD

- Para usar herramientas hidráulicas en o cerca de cables eléctricos deben usarse mangueras marcadas y homologadas como no conductoras de electricidad". El uso de mangueras de otro tipo comporta peligro de muerte o daños personales graves.
- Antes de arrancar la sierra, deje el sistema hidráulico funcionando hasta que alcance la temperatura de funcionamiento (30°C). De este modo, se reduce la presión de retorno y el desgaste en general.
- Antes de empezar a cortar, todos los cortes que se van a hacer deben marcarse con claridad y planificarse para que se puedan hacer sin riesgo de dañar a personas o la máquina.
- Sujete o ancle con firmeza los bloques de hormigón antes de cortarlos. El elevado peso del material cortado puede causar daños importantes si no se desplaza en condiciones controladas.
- Controle siempre la parte posterior de la pared en la que sale la sierra al penetrar. Impida el acceso cercando y asegúrese de que no haya riesgo de daños personales o materiales.
- Averigüe y marque siempre la ubicación del trazado de las tuberías de gas. El corte cerca de las tuberías de gas siempre es peligroso. Procure que no se generen chispas al cortar, debido al riesgo de explosión. Trabaje concentrado en su tarea. La negligencia comporta riesgo de daños personales graves y peligro de muerte.
- Use la máquina exclusivamente en lugares con buena ventilación. Los descuidos pueden ocasionar daños graves o mortales.
- Compruebe que los cables eléctricos que haya en el área de trabajo no tengan tensión.
- Mantenga bajo vigilancia la máquina siempre que el motor esté en marcha.
- Nunca utilice la sierra sin tener al alcance el botón de parada de emergencia de la unidad hidráulica o el botón de parada del control remoto. Consulte el manual de la unidad hidráulica.
- Al trabajar con las máquinas, procure siempre que haya alguien cerca, que pueda prestar ayuda en caso de accidente.
- Las personas que deban permanecer cerca deben usar protectores auriculares porque el nivel sonoro al cortar es superior a 85 dB(A).
- Cerciórese de que ninguna persona ni animal se aproxime más de 4 m (15 ft) a la máquina cuando la misma esté en funcionamiento.
- No usar en condiciones climáticas desfavorables. Por ejemplo, niebla densa, lluvia, viento fuerte, frío intenso, etc. Trabajar con mal tiempo es cansador y puede crear condiciones peligrosas, por ejemplo suelo resbaladizo.
- Controle que la zona de trabajo esté bien iluminada para lograr un entorno seguro.
- Cerciórese siempre de tener una posición de trabajo segura y firme.
- Proceda con cuidado en las elevaciones. Las piezas son pesadas, por lo que hay riesgo de daños por apriete y daños personales de otro tipo.



¡ATENCIÓN! No utilice nunca un disco de corte para ningún material para el que no esté destinado.

La utilización de las hojas de la sierra a una velocidad superior a la recomendada por el fabricante puede dañar la sierra e incluso puede causarle lesiones. Vea el capítulo Datos técnicos.

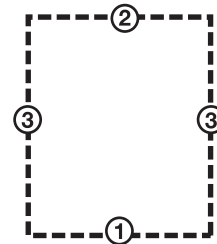
Técnica básica de trabajo



- Empiece siempre cortando un surco de guía. Esto se hace insertando el disco 3-7 cm (1,2"-2,8"). A continuación, corte el surco de guía. El corte no se debe hacer a velocidad máxima, sino de forma cuidadosa para conseguir un corte recto y facilitar así el corte siguiente. El brazo de corte permite utilizar discos de hasta 1000 mm (40 in) como disco de inicio. Sin embargo, se aconseja comenzar a cortar con un disco de 800 mm (31,5 in).
- Cuando esté terminado el corte de guía, se pueden hacer cortes más profundos. La profundidad de los mismos se determina según el caso y depende de factores como la dureza del hormigón, la presencia de hierros de armadura, etc. El diámetro máximo del disco para los cortes más profundos es de 1200 mm (47 in).
- Si cambia los discos para que trabajen a mayor profundidad en el mismo corte, asegúrese de que el grosor del disco se corresponda con el ancho del surco.
- Deje que la máquina trabaje sin forzar ni presionar el disco.
- Sujete o ancle con firmeza los bloques de hormigón antes de cortarlos. El elevado peso del material cortado puede causar daños importantes si no se desplaza en condiciones controladas.

Tronzado de bloques

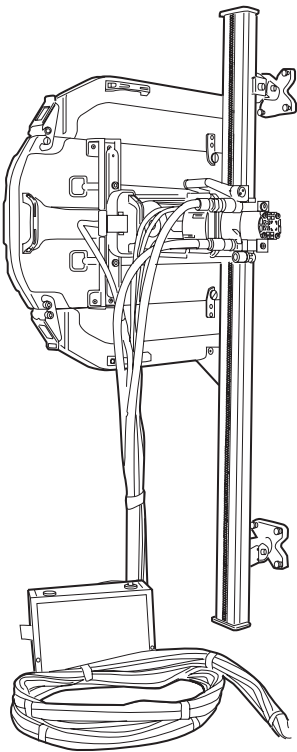
- Primero, haga el corte horizontal inferior. A continuación, haga el corte horizontal superior. Finalmente, haga los dos cortes verticales.



- Si el corte horizontal superior se hace antes del corte horizontal inferior, la pieza de trabajo cae sobre el disco y lo aprieta.
- Cuando realice el último corte, la sierra deberá instalarse en una pared fija adyacente.
- Dado que el riel es simétrico, la unidad de serrado puede girarse para realizar un nuevo corte en el otro lado del riel. De esta manera, se obtendrá una pieza de corte con un tamaño fácilmente manejable, lo que hará que sea más sencillo retirarla del lugar del trabajo.
- Puesto que puede seleccionar el sentido de rotación de la hoja, la pulverización de agua también puede seleccionarse independientemente de como esté colocada la sierra en el riel.

PRESENTACIÓN

WS 462



Esperamos que su máquina le proporcione plena satisfacción y le sirva de ayuda por mucho tiempo en adelante. Tenga en cuenta que este manual de instrucciones es un documento de valor. Siguiendo sus instrucciones (de uso, servicio, mantenimiento, etcétera) puede alargar considerablemente la vida útil de la máquina e incrementar su valor de reventa. Si vende su máquina, entregue el manual de instrucciones al nuevo propietario.

La adquisición de alguno de nuestros productos da acceso a asistencia profesional con reparaciones y servicio. Si la máquina no fue adquirida en un distribuidor oficial, preguntar en la tienda de compra la dirección del taller de servicio más cercano.

Husqvarna Construction Products se esfuerza constantemente por mejorar la construcción de sus productos. Por consiguiente, Husqvarna se reserva el derecho a introducir modificaciones de diseño sin previo aviso y sin compromisos ulteriores.

Generalidades

WS 400 es una nueva serie completa de sierras de pared de Husqvarna. La finalidad del desarrollo de la serie Husqvarna WS 400 ha sido diseñar, con métodos de producción modernos y materiales de altas prestaciones, una sierra de pared muy ligera y potente que sea fácilmente manejable por una persona.

Entre las novedades de la serie WS 400 destaca, entre otras, la posibilidad de fijar el disco radialmente en la sierra. Puesto que la unidad de sierra se monta en un carro con una fijación rápida en vez directamente en el riel, se facilita considerablemente el montaje de la sierra.

Para aprovechar óptimamente el efecto, la sierra se monta en el último riel de Husqvarna. Al tratarse de un riel muy robusto, el control de la sierra es más preciso, lo cual se traduce en una mayor eficacia de corte. Puesto que los componentes del equipo trabajan con pérdidas pequeñas y el disco se ha trasladado a una posición 50 mm más cerca del riel en comparación con modelos anteriores, ha sido posible construir una sierra extremadamente compacta y aumentar la eficacia.

Un equipo de sierra completo consta de:

- Una unidad de sierra
- Un riel de 1,2 m
- Un riel de 2 m
- Cuatro soportes de pared
- Un soporte de riel
- Un empalme
- Una protección de disco de 800 ó 1.000
- Una guía de protección de disco
- Un juego de herramientas
- Una botella con aceite Husqvarna 150

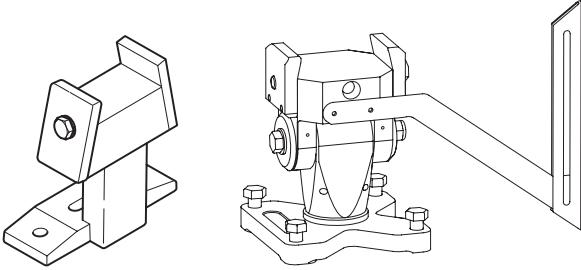
Cajas de transporte para las diferentes unidades. El riel corto y el riel largo tienen un carro montado en fábrica para facilitar al máximo posible el corte.

Dado que una gran parte del trabajo de corte consta de transportes, el equipo de sierra se entrega en unas cajas especiales. Las cajas proporcionan una buena protección durante el transporte y reducen el número de bultos a desplazar entre los lugares de trabajo, con lo que se aumenta la eficacia.

MONTAJE

Riel y accesorios del soporte de pared

Para la serie Husqvarna WS 400 hay dos tipos de soportes de pared. Los soportes de pared estándar que se incluyen en la entrega, y el soporte de pared rotativo universal.



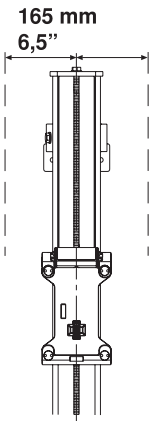
¡IMPORTANTE! La serie Husqvarna WS 400 sólo debe utilizarse con los dos tipos de soporte de pared indicados arriba. Los soportes de pared antiguos de Husqvarna son similares al soporte estándar, pero tienen una pata más larga. Estos soportes no se deben utilizar con la serie WS 400, debido al riesgo de que el brazo toque en la pata de los soportes.

El soporte de pared universal se emplea para el corte de puertas, corte liso, corte oblicuo, corte de escaleras y ranuras. Los soportes fijos se emplean para cortes normales rectos.

Monte el soporte de pared universal para el método de corte deseado (vea el manual aparte).

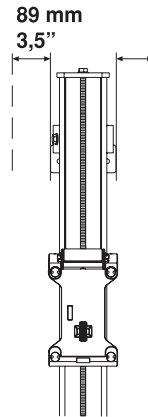
Procedimiento de montaje del soporte de pared estándar:

- 1 Marque la línea de corte y los agujeros para pernos de expansión a 165 mm (6,5") de la línea de corte.



- 2 Taladre agujeros de 15 mm (5/8") para los pernos de expansión M12 (1/2").
- 3 Cuelgue los soportes de pared sueltos en los pernos de expansión: se recomienda M6S 12 x 70 (1/2"x2").
- 4 Ponga el riel entre los soportes de pared y apriete las arandelas de fijación.
- 5 Compruebe que el riel está bien alineado con las bandas en los soportes de pared antes de apretar los tornillos.

- 6 Ajuste la distancia entre el corte y el soporte de pared. La distancia entre el borde del soporte de pared y el borde interior del corte debe ser de 89 mm (3,5"). Apriete el perno de expansión.



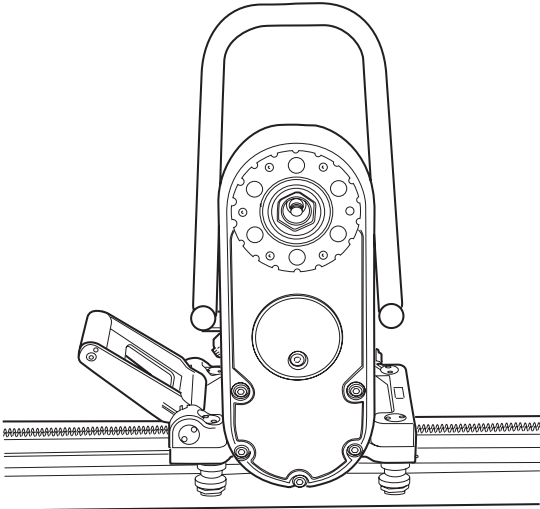
¡IMPORTANTE! Use solamente el empalme incluido en la entrega de la sierra, puesto que los empalmes antiguos no están adaptados para la serie WS 400.

MONTAJE

Instalación del carro y de la sierra

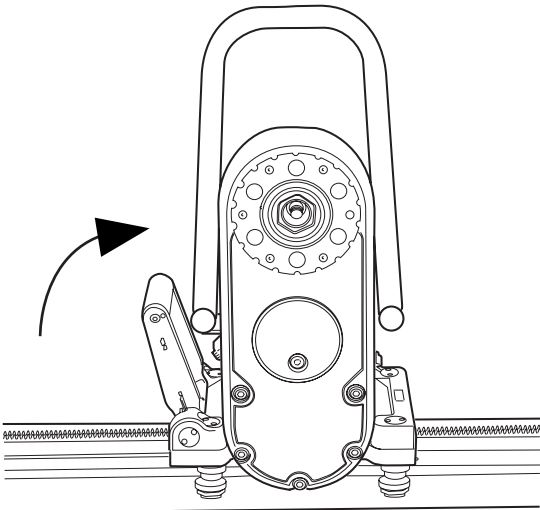
El carro de la sierra se recibirá montado en el riel. Para desmontar el carro del riel, retire el tope y a continuación extraiga el carro del riel.

- 1 Monte el cuerpo de sierra en el carro, elevándolo y colocándolo en su sitio. Cuando se coloca la sierra en su sitio, la empuñadura de bloqueo sube a una posición intermedia. En esta posición, la sierra permanece suspendida en el carro sin que sea necesario sujetarla. Sin embargo, no está lo suficientemente fijada para cortar.



Para cortes verticales, coloque el riel con la palanca de bloqueo del carro de la sierra hacia arriba. Así se facilita el ajuste de la unidad de serrado.

- 2 Para fijar la sierra, eleve la empuñadura de bloqueo hacia la misma hasta que quede bloqueada.



¡ATENCIÓN! El corte sin que la sierra esté bien fijada en el carro y el riel comporta peligro de muerte.

Monte el disco

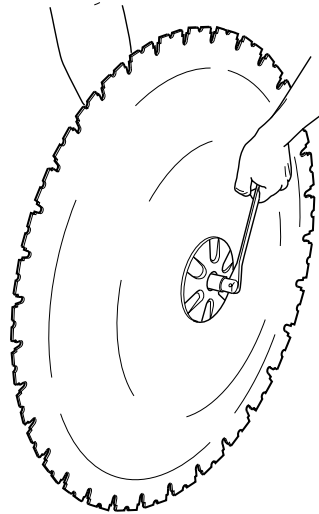


¡ATENCIÓN! Nunca monte ni desmonte el disco ni el protector del disco sin haber apagado antes la unidad hidráulica y haber desconectado las mangueras hidráulicas que van hasta la unidad de serrado. La utilización del equipo sin el debido cuidado puede causar lesiones graves e incluso la muerte.

En la serie Husqvarna WS 400 el disco se monta de forma totalmente nueva. La nueva fijación permite fijar el disco, además de con el método convencional, radialmente de forma sencilla y rápida:

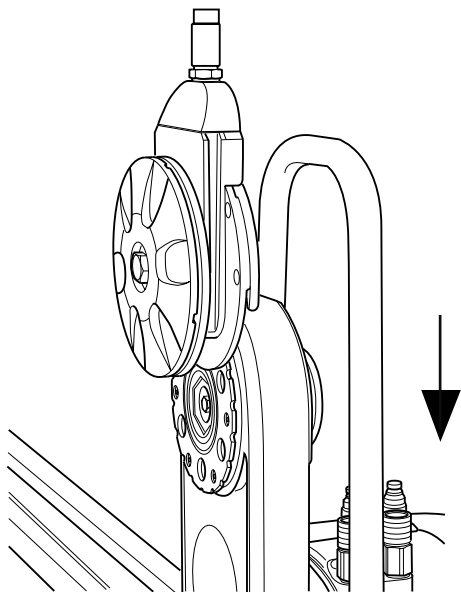
- 1 Empiece limpiando toda la suciedad de las superficies de contacto de la brida de disco y del disco.
- 2 Compruebe el sentido de rotación del disco. El disco debe girar a izquierdas, visto desde el lado de sierra, y la parte libre del diamante debe estar en el sentido de rotación del disco.
- 3 Puesto que puede seleccionar el sentido de rotación de la hoja, la pulverización de agua también puede seleccionarse independientemente de como esté colocada la sierra en el riel.

Atornille la brida de disco exterior, el disco y el cubo de brida de disco (par de apriete, 70-80 Nm).

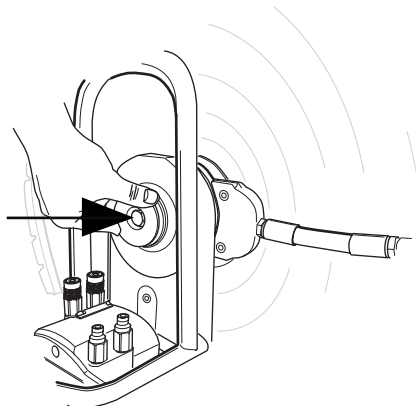


MONTAJE

- 4 Fije el disco suspendido con una brida de disco montada y el cubo de brida de disco en el brazo de corte (el disco no está ilustrado en la figura).



- Gire cuidadosamente el cubo de brida de disco de manera que se deslice en uno de los rieles del brazo pivotante y alcance la posición correcta para atornillarlo.
- 5 Inserte a presión el eje del disco en el brazo de corte, girando con cuidado al mismo tiempo el disco. Cuando ya no se pueda seguir presionando a mano el eje del disco, apriételo con la llave 18 incluida en la entrega hasta que esté bien fijado (par de apriete, 70-80 Nm).

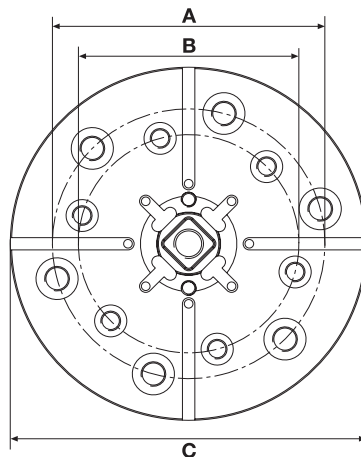


¡ATENCIÓN! Monte el disco minuciosamente para que no haya riesgo de que se suelte al cortar. La utilización del equipo sin el debido cuidado puede causar lesiones graves e incluso la muerte.

Corte liso



Desatornille la brida de disco exterior y monte el disco en el cubo de brida de disco.



A = 110 mm / 4,33 in, 6 M10

B = 89 mm / 3,5 in, 6 M8

C = 144 mm / 5,7 in

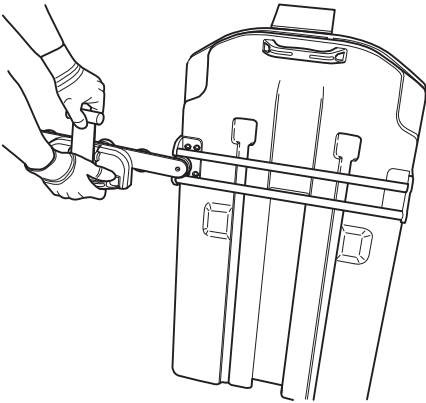
MONTAJE

Monte la protección del disco

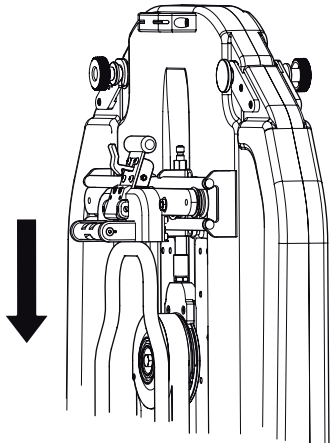


¡ATENCIÓN! Nunca monte ni desmonte el disco ni el protector del disco sin haber apagado antes la unidad hidráulica y haber desconectado las mangueras hidráulicas que van hasta la unidad de serrado. La utilización del equipo sin el debido cuidado puede causar lesiones graves e incluso la muerte.

- 1 Deslice la guía del protector del disco entre los tirantes del protector del disco. Coloque la guía del protector del disco en el centro. Cierre el talón de plástico de la manivela sobre el tirante superior del protector del disco.

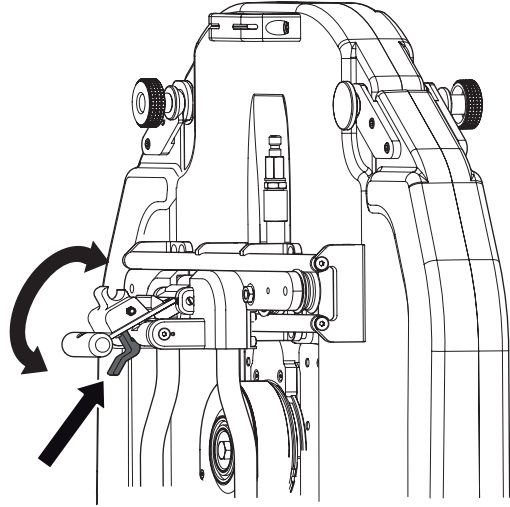


- 2 Asegúrese de que el brazo pivotante se encuentra en posición vertical. Coloque la protección sobre el disco y cuélguela en su soporte en la sierra. Procure que las guías deslizantes de la protección del disco entren en las ranuras de los bloques de agua.



- 3 Bloquee el protector de la hoja tirando de la palanca hacia fuera del protector y después hacia abajo (hacia la unidad de serrado), hasta que el pestillo bloquee la palanca.

- 4 Para quitar el protector, suelte el pestillo y tire de la palanca hacia arriba y hacia el interior hasta el protector. Bloquee el talón de plástico sobre el tirante superior.



Conecte la unidad hidráulica

¡IMPORTANTE! Esta máquina sólo está destinada a ser utilizada junto con Husqvarna PP 345 y Husqvarna RC 348. Está prohibida cualquier otra aplicación.

Lea el manual de instrucciones suministrado con la unidad hidráulica antes de utilizar la máquina.

Una vez instalados la unidad de serrado, el disco y el protector de discos, deberá conectar las mangueras hidráulicas y el sistema de refrigeración hidráulica.

Hay dos tipos de mangueras hidráulicas para la sierra:

- Las cuatro mangueras más finas que controlan los motores de avance; es decir, el avance longitudinal de la sierra en el riel y la entrada y salida del disco. Las dos mangueras gruesas accionan el disco.
- Antes de montar las mangueras hay que limpiar los acoplamientos para reducir el riesgo de fugas. Las mangueras finas y gruesas se fijan girando el manguito exterior del acoplamiento hembra para que la ranura del manguito se aparte de la bola.

ARRANQUE Y PARADA

Antes de arrancar



- Cerque el área en que va a cortar para impedir la entrada de personas ajenas al trabajo y evitar el riesgo de que sufran daños y que le estorben en el trabajo.
- Asegúrese de que ni el disco ni el protector estén dañados o agrietados. Sustituya el disco o el protector si han sufrido golpes o están agrietados.
- Asegúrese de que todas las mangueras hidráulicas y todas las conexiones estén intactas y correctamente conectadas. Compruebe también que el sistema de refrigeración hidráulica esté correctamente conectado y activado.
- Controle el nivel de aceite del equipo. Ponga la válvula de velocidad del motor de sierra en la posición correcta, dependiente del diámetro del disco. (Vea la tabla Capacidad de corte”).
- Si el corte se va a iniciar en un lugar distinto al que se encuentra la unidad de sierra, ponga la unidad en la posición de arranque.

Arranque



Siga las instrucciones de arranque proporcionadas en el manual que acompaña a la unidad hidráulica.

Parada



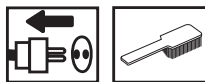
- Cuando termine el corte, saque el disco de la pared y desactive la rotación del disco y el flujo de agua.
- Desactive el equipo hidráulico.

Desmontaje de la sierra

- 1 Espere a que el motor se pare totalmente.
- 2 Desconecte el cable eléctrico entrante del equipo hidráulico.
- 3 Desconecte la alimentación de la unidad hidráulica.
- 4 Desacople las mangueras hidráulicas y la manguera de agua de la unidad de sierra.

Las demás medidas se hacen en orden inverso al montaje.

Limpieza



Después de cortar hay que limpiar la sierra. Es importante limpiar todo el equipo. Para lavar la sierra se recomienda desacoplar la manguera de agua del brazo oscilante y emplearla para limpiar la unidad de sierra, el riel, la protección del disco y el soporte de pared. En caso necesario también puede ser útil emplear un cepillo lavavajillas o similar para la limpieza del equipo. No utilice lavado a alta presión para limpiar la unidad de sierra.

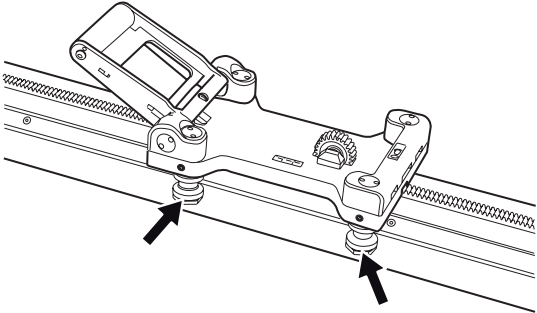
¡IMPORTANTE! No utilice un equipo de limpieza a alta presión para limpiar la sierra.

REGLAJES Y AJUSTES

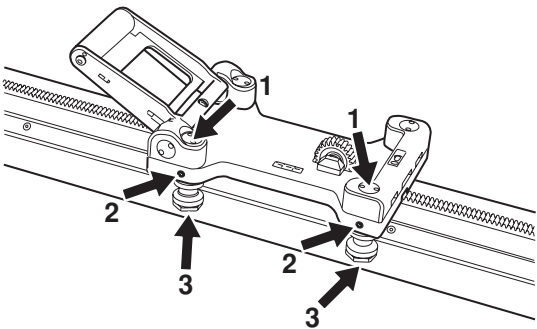
Ajuste de las ruedas de guía

Para que la sierra funcione de forma estable y haga cortes rectos, es necesario que las cuatro ruedas de guía estén en contacto con el riel, sin huelgo. Si el carro tiene huelgo en el riel, hay que ajustar las ruedas de guía:

Las dos ruedas de guía marcadas tienen ejes excéntricos que, al ser girados, aprietan el carro contra el riel.



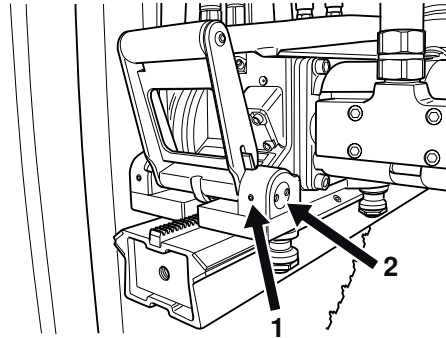
Empiece soltando las dos tuercas (1) marcadas con la herramienta especial incluida en la entrega. A continuación afloje los dos tornillos de tope (2). Cuando estos tornillos estén sueltos, ajuste las ruedas de guía (3) contra el riel, girándolos contra el mismo hasta que desaparezca el huelgo. Sujete las ruedas de guía y vuelva a atornillar el tornillo de tope. A continuación enrosque las tuercas para fijar las ruedas de guía en la nueva posición.



Ajuste la sierra en el carro

Puesto que la sierra se desgasta, después de un determinado número de horas de empleo puede ser ventajoso asegurarse de que la unidad de sierra está montada firmemente en el carro y el riel. De no ser así, es probable que sea necesario ajustar la empuñadura:

Afloje los tornillos hexagonales (1) marcados (uno a cada lado de la empuñadura). A continuación gire los ejes excéntricos (2) con la herramienta especial incluida en la entrega, hasta que el eje esté apretado contra la sierra. A continuación, vuelva a enroscar los tornillos hexagonales.



MANTENIMIENTO

Servicio



¡IMPORTANTE! Las reparaciones de todo tipo deben ser efectuadas por técnicos autorizados, únicamente. De este modo se evita someter a los operadores a grandes riesgos.

Después de 100 horas de funcionamiento, se mostrará el mensaje «Time for servicing» («Efectuar mantenimiento»). Deberá llevar el equipo a un distribuidor autorizado de Husqvarna para que efectúe el mantenimiento de la máquina.

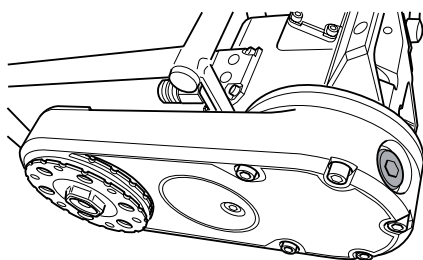
Mantenimiento



¡IMPORTANTE! El control y/o mantenimiento de la máquina debe hacerse con el motor parado y el enchufe desenchufado.

Cambio del aceite del brazo de corte

En el brazo de corte hay un tapón para vaciar el aceite. Este tapón se debe limpiar al cambiar el aceite. El aceite nuevo se pone por el agujero del tapón de aceite.

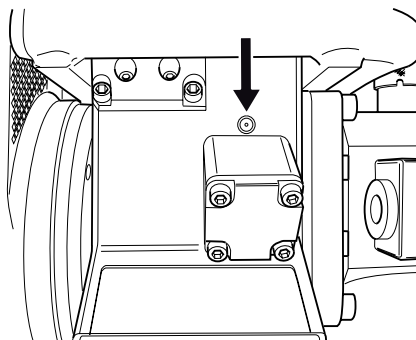


El brazo de corte contiene 1 dl de aceite Husqvarna Oil 150: un aceite para engranajes tipo EP 150. El primer cambio de aceite se hace con ocasión del primer servicio. La entrega de la sierra nueva incluye una botella con 1 dl de aceite.

¡IMPORTANTE! El aceite de motor y de transmisión es nocivo para la salud y no debe verterse en el suelo o en el campo.

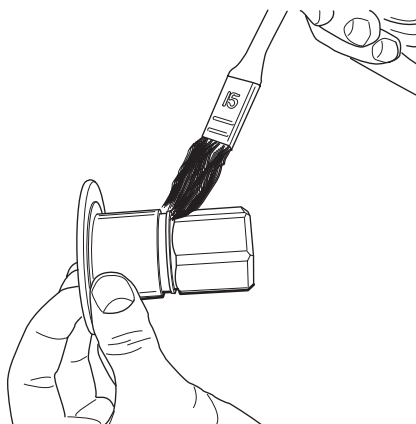
Lubricación de los engranajes del alimentador

Todas las unidades de serrado cuentan con dos boquillas de engrase. Los engranajes de los motores de alimentación se lubrican con estas boquillas. Lubríquelos diariamente o al menos cada 30 horas de funcionamiento. Utilice VEIDEC POWER LUBE o el lubricante correspondiente.



Engrase el eje del disco

Para facilitar al máximo posible el montaje del eje del disco, a veces puede ser necesario engrasar el eje hexagonal. Compruebe al mismo tiempo que el eje hexagonal no esté dañado.



Mantenimiento diario



- 1 Compruebe que todos los acoplamientos y conexiones, y las mangueras hidráulicas están intactos.
- 2 Limpie la parte exterior de la máquina. No utilice un equipo de limpieza a alta presión para limpiar la sierra.
- 3 Asegúrese de que ni el disco ni el protector estén dañados o agrietados. Sustituya el disco o el protector si han sufrido golpes o están agrietados.

DATOS TECNICOS

WS 462

Peso

Carro de la sierra, kg/lbs	3,7/8,15
Unidad de sierra, kg/lbs	21/46,3
Protección del disco kg/lbs	15/33
Riel 1200 mm (47") kg/lbs	12,2/26,9
Riel 2000 mm (79") kg/lbs	17,2/37,9

Caudal de aceite hidráulico máximo, l/ m / gpm	55/14,5
Presión máxima, bar/psi	230/3340
Avance longitudinal	Hidráulico
Avance de entrada	Hidráulico

El peso indicado para los dos rieles se refiere a riel con carro montado. Por tanto, para obtener el peso de sólo el riel, hay que deducir el peso del carro del peso indicado.

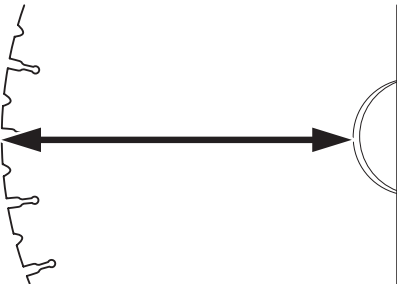
Velocidad de corte, m/s

Diámetro de disco, mm	600	700	800	1000	1200
Velocidad del husillo, 1260 rpm, pos. 2	38	46	53		
Velocidad del husillo, 760 rpm, pos. 1				40	48

Velocidad de corte, pies/min

Diámetro de disco, pulgadas	24	28	32	40	47
Velocidad del husillo, 1260 rpm, pos. 2	7480	9055	10433		
Velocidad del husillo, 760 rpm, pos. 1				7874	9449

Capacidad de corte



Diámetro de disco, mm/ pulgadas	Profundidad de corte, mm / in
800/32	330/13
1000/40	430/17
1200/48	530/21

Nunca utilice discos de corte distintos a los discos originales destinados a la máquina.

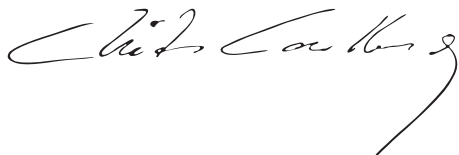
DATOS TECNICOS

Declaración CE de conformidad

Husqvarna Construction Products Sweden AB, Box 2098, 550 02 Jönköping, Suecia, teléfono: 036-570 60 00, certifica que la sierra de pared WS 463, a partir del número 01001, está fabricada de conformidad con las disposiciones de las Directivas del Consejo: 98/37/CE relativa a maquinaria, 73/23/CEE relativa a baja tensión y 89/336/CEE relativa a compatibilidad electromecánica, incluso modificaciones; y que se han utilizado las normas siguientes como guía: EN 55 014-1, EN 55 014-2, EN 61 000-3-2, EN 50 144-1, EN 13 862.

La sierra de pared entregada coincide con el ejemplar que fue sometido al examen CE de tipo.

Jönköping 1/1/2005



Christer Carlberg

Director ejecutivo

SYMBOLERKLÄRUNG

Symbole am Gerät:

WARNUNG! Das Gerät kann falsch oder nachlässig angewendet gefährlich sein und zu schweren oder gar lebensgefährlichen Verletzungen des Benutzers oder anderer Personen führen.



Lesen Sie die Bedienungsanleitung sorgfältig durch und machen Sie sich mit dem Inhalt vertraut, bevor Sie das Gerät benutzen.



Benutzen Sie immer:

- Einen zugelassenen Schutzhelm
- Einen zugelassenen Gehörschutz
- Schutzbrille oder Visier
- Atemschutzmaske

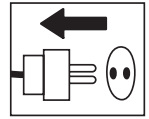


Dieses Produkt stimmt mit den geltenden CE-Richtlinien überein.

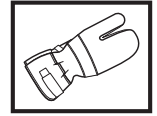


Symbole in der Bedienungsanleitung:

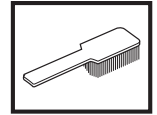
Kontrollen und/oder Wartungsarbeiten sind bei abgeschaltetem Motor und abgezogenem Stecker durchzuführen.



Stets zugelassene Schutzhandschuhe tragen.



Regelmäßige Reinigung ist notwendig.



Visuelle Kontrolle.



Schutzbrille oder Gesichtsschutz müssen benutzt werden.



INHALT

Inhalt

SYMBOLERKLÄRUNG

Symbole am Gerät:	34
Symbole in der Bedienungsanweisung:	34

INHALT

Inhalt	35
--------------	----

WAS IST WAS?

Was ist was an der Wandsäge?	36
------------------------------------	----

SICHERHEITSVORSCHRIFTEN

Maßnahmen vor der Benutzung einer neuen Wandsäge	37
Persönliche Schutzausrüstung	37
Allgemeine Sicherheitsvorschriften	38
Allgemeine Arbeitsvorschriften	38
Grundlegende Arbeitstechnik	40

VORSTELLUNG

WS 462	41
--------------	----

MONTAGE

Wandbefestigungen und Schiene montieren	42
Sägewagen und Schneideinheit montieren	43
Klinge montieren	43
Flachschneiden	44
Trennscheibenschutz montieren	45
Hydraulikaggregat anschließen	45

STARTEN UND STOPPEN

Vor dem Start	46
Starten	46
Stoppen	46
Demontage des Trennschleifers	46
Reinigung	46

EINSTELLUNGEN UND JUSTIERUNGEN

Führungsräder justieren	47
Trennschleifer im Sägewagen justieren	47

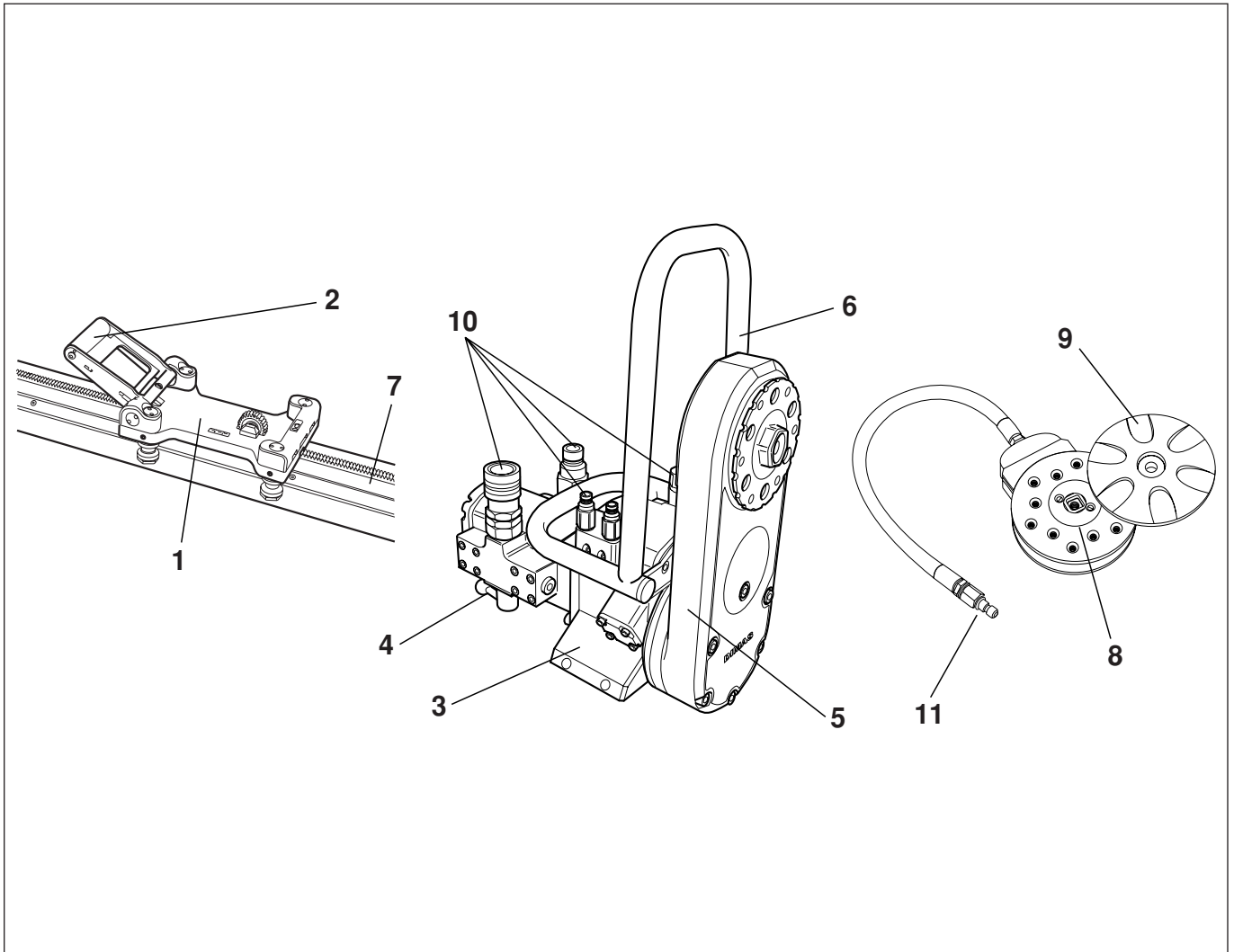
WARTUNG

Service	48
Wartung	48
Tägliche Wartung	48

TECHNISCHE DATEN

WS 462	49
EG-Konformitätserklärung	50

WAS IST WAS?



Was ist was an der Wandsäge?

- | | |
|------------------------------|--------------------------------|
| 1 Sägewagen | 7 Schiene |
| 2 Sperrgriff | 8 Trennscheibenflanschnabe |
| 3 Schneideinheit | 9 Äußerer Trennscheibenflansch |
| 4 Geschwindigkeitsventil | 10 Hydraulikschlauchanschlüsse |
| 5 Trennarm | 11 Wasseranschluss |
| 6 Trennscheibenschutzführung | |

SICHERHEITSVORSCHRIFTEN

Maßnahmen vor der Benutzung einer neuen Wandsäge

- Lesen Sie die Bedienungsanweisung sorgfältig durch und machen Sie sich mit dem Inhalt vertraut, bevor Sie das Gerät benutzen.
- Diese Maschine ist für das Schneiden von Beton, Ziegeln und unterschiedlichen Steinmaterialien vorgesehen. Jede andere Verwendung ist nicht zulässig.
- Diese Maschine darf nur zusammen mit Husqvarna PP 345 sowie Husqvarna RC 348 verwendet werden. Alle anderen Einsätze sind unzulässig.
- Das Gerät ist für industrielle Anwendungen und die Benutzung durch erfahrene Bediener ausgelegt.
- Lesen Sie die Bedienungsanweisung für das Hydraulikaggregat sorgfältig durch, bevor Sie das Gerät benutzen.
- Das Gerät kann schwere Verletzungen verursachen. Die Sicherheitsvorschriften gründlich durchlesen. Lernen Sie, wie das Gerät anzuwenden ist.

Stets mit gesundem Menschenverstand arbeiten!

Es ist unmöglich, alle denkbaren Situationen abzudecken, die beim Gebrauch des Geräts auftreten könnten. Gehen Sie stets mit Vorsicht und Vernunft vor. Vermeiden Sie Situationen, für die Sie sich nicht ausreichend qualifiziert fühlen. Falls Sie sich auch nach dem Lesen dieser Anweisungen nicht über die richtige Vorgehensweise im Klaren sind, sollten Sie einen Fachmann zu Rate ziehen, bevor Sie fortfahren.

Sie können sich jederzeit an Ihren Händler wenden, wenn Sie Fragen zur Verwendung der Maschine haben. Wir beraten Sie gerne dabei, wie Sie Ihre Maschine besser und sicherer einsetzen können.

Lassen Sie die Maschine regelmäßig von Ihrem Husqvarna-Händler überprüfen und notwendige Einstellungen und Reparaturen vornehmen.

Alle Informationen und Daten dieser Bedienungsanleitung galten zum Zeitpunkt der Drucklegung.



WARNUNG! Ohne Genehmigung des Herstellers dürfen an der Maschine unter keinen Umständen Konstruktionsänderungen vorgenommen werden. Stets Originalzubehör verwenden. Unzulässige Änderungen und/oder Zubehörteile können zu schweren Verletzungen oder tödlichen Unfällen von Anwendern oder anderen Personen führen.



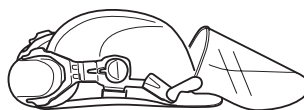
WARNUNG! Beim Schneiden, Mahlen, Bohren, Schmirgeln oder Formen können Staubpartikel oder Dämpfe freigesetzt werden, die gesundheitsschädliche Stoffe enthalten können. Sie sollten daher das Material, das bearbeitet werden soll, genau kennen und die entsprechende Staub- oder Atemschutzmaske tragen.

Persönliche Schutzausrüstung

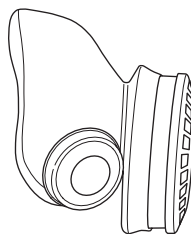


WARNUNG! Bei der Benutzung des Gerätes muss die vorgeschriebene persönliche Schutzausrüstung angewendet werden. Die persönliche Schutzausrüstung beseitigt nicht die Unfallgefahr, begrenzt aber den Umfang der Verletzungen und Schäden. Bei der Wahl der Schutzausrüstung einen Fachhändler um Rat fragen.

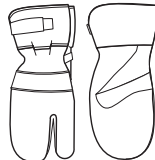
- Schutzhelm
- Gehörschutz
- Schutzbrille oder Visier



- Atemschutzmaske



- Feste, griffsichere Handschuhe.



- Eng anliegende, kräftige und bequeme Kleidung tragen, die volle Bewegungsfreiheit gewährt.



- Stiefel mit Stahlkappe und rutschfester Sohle.



- Ein Erste-Hilfe-Set soll immer griffbereit sein.



SICHERHEITSVORSCHRIFTEN

Allgemeine Sicherheitsvorschriften

Lesen Sie vor der Inbetriebnahme der Maschine diese Bedienungsanleitung aufmerksam durch und machen Sie sich mit dem Inhalt vertraut.



WARNUNG! Bei Arbeiten an Produkten mit beweglichen Teilen herrscht stets Klemmgefahr. Schutzhandschuhe tragen, um Verletzungen zu vermeiden.

- Arbeiten Sie niemals mit dem Gerät, wenn Sie müde sind, Alkohol getrunken oder Medikamente eingenommen haben, da hierdurch Sehkraft, Urteilsvermögen oder Körperkontrolle beeinträchtigt werden können.
- Tragen Sie persönliche Schutzausrüstung. Siehe die Anweisungen unter der Überschrift Persönliche Schutzausrüstung.
- Alle Teile in funktionstauglichem Zustand halten und dafür sorgen, dass alle Befestigungsteile sorgfältig festgezogen sind.
- Niemals mit einem defekten Gerät arbeiten. Die Wartungs-, Kontroll- und Serviceanweisungen in dieser Bedienungsanleitung sind sorgfältig zu befolgen. Gewisse Wartungs- und Servicemaßnahmen sind von geschulten, qualifizierten Fachleuten auszuführen. Siehe die Anweisungen unter der Überschrift Wartung.
- Nehmen Sie keinerlei Änderungen an den Sicherheitsvorrichtungen vor. Kontrollieren Sie regelmäßig deren einwandfreie Funktionsweise. Die Maschine darf nicht mit defekten Schutzvorrichtungen bzw. ohne eingebaute Schutzvorrichtungen betrieben werden.
- Lassen Sie niemals jemand anderen das Gerät benutzen, ohne sich zu vergewissern, dass die Person den Inhalt der Bedienungsanleitung verstanden hat.
- Menschen und Tiere können zu einer Ablenkung und damit zum Verlust der Kontrolle über das Gerät führen. Konzentration und Fokussierung auf die Aufgabe sind daher stets erforderlich.
- Bedenken, dass Kleidung, langes Haar und Schmuck in beweglichen Teilen hängen bleiben können.
- Vorsicht beim Heben. Schweres Gerät bedeutet Klemmgefahr und Gefahr für andere Verletzungen.

Transport und Aufbewahrung

- Vor dem Bewegen der Ausrüstung stets den Hauptschalter für das Hydraulikaggregat ausschalten und die Schläuche von der Schneideinheit abnehmen.
- Trennscheibe und Trennscheibenschutz vor Transport oder Lagerung ausbauen.
- Bewahren Sie das Gerät für Kinder und Unbefugte unzugänglich in einem abschließbaren Raum auf.
- Zur Lagerung der Ausrüstung die mitgelieferten Kästen verwenden.

Allgemeine Arbeitsvorschriften



WARNUNG! Dieser Abschnitt behandelt grundlegende Sicherheitsregeln für die Arbeit mit einer Wandsäge. Die angegebene Information kann niemals das Wissen ersetzen, das ein professioneller Anwender durch seine Ausbildung und praktische Erfahrung besitzt. Wenn Sie in eine Situation kommen, die Sie in Bezug auf die weitere Anwendung des Geräts verunsichert, lassen Sie sich von einem Experten beraten. Fragen Sie Ihren Fachhändler, Ihre Servicewerkstatt oder einen erfahrenen Anwender. Vermeiden Sie, Arbeiten auszuführen, denen Sie sich nicht gewachsen fühlen!

- Sämtliche Bediener müssen für die Benutzung der Maschine ausgebildet sein. Die Verantwortung für die erforderliche Ausbildung liegt beim Eigentümer.
- Sicherstellen, dass der Trennscheibenschutz unbeschädigt und korrekt montiert ist.
- Stets nur Originalklingen verwenden, die für die Maschinen ausgelegt sind. Fragen Sie Ihren Husqvarna-Händler, welche Klinge sich am besten für Ihren Einsatzbereich eignet.
- Niemals beschädigte oder verschlissene Trennscheiben verwenden.
- Trennscheibe und Trennscheibenschutz dürfen erst nach Ausschalten des Hydraulikaggregats und Abnehmen der an der Schneideinheit angeschlossenen Hydraulikschläuche ausgebaut werden.
- Schneidevorgänge niemals ohne den Trennscheibenschutz durchföhren.
- Prüfen, dass die Klinge frei rotieren kann, bevor die Maschine gestartet wird.
- Stets Abstand zur Trennscheibe halten, wenn der Motor läuft.
- Es ist stets eine Wasserkühlung einzusetzen. Diese kühlt die Klingen, verlängert deren Lebensdauer und verringert die Staubbildung.
- Sicherstellen, dass alle Verbindungen, Anschlüsse und Hydraulikschläuche unbeschädigt sind.
- Hydraulikschläuche und Verbindungen sauberhalten.
- Stets auf die Unversehrtheit der verwendeten Schläuche achten.
- Verwenden Sie keine deformierten, verschlissenen oder beschädigten Schläuche.
- Sicherstellen, dass die Schläuche korrekt an die Maschine angeschlossen sind und die Hydraulikkupplungen ordnungsgemäß verriegelt wurden, bevor das Hydrauliksystem unter Druck gesetzt wird. Um die Kupplungen zu verriegeln, die Außenhülse der Buchsenkupplung drehen, wodurch sich die Nut von der Kugel entfernt.

SICHERHEITSVORSCHRIFTEN

- Niemals den Trennschleifer an den Hydraulikschläuchen hochheben.
- Täglich die Maschine, alle Verbindungen und Hydraulikschläuche auf Undichtigkeiten überprüfen. Lecks oder Explosionen können zu einem Eindringen von Öl in den Körper oder anderen schweren Verletzungen führen.
- Hydraulikschläuche dürfen erst abgenommen werden, nachdem das Hydraulikaggregat abgeschaltet wurde und der Motor zum Stillstand gekommen ist.
- Die für das jeweilige Werkzeug angegebenen Werte für den Öldurchfluss oder Öldruck nicht überschreiten. Ein zu hoher Durchfluss oder Druck kann zu Explosionen führen.
- Beim Einsatz von Hydraulikwerkzeugen an oder bei elektrischen Leitungen sind Schläuche zu verwenden, die als „nicht elektrisch leitend eingestuft und gekennzeichnet wurden. Die Verwendung anderer Schläuche kann zu schweren Verletzungen und sogar zum Tod führen.
- Vor dem Sägen das Hydrauliksystem auf die Betriebstemperatur von 30°C vorwärmen lassen, um den Rücklaufdruck und andere Belastungen zu reduzieren.
- Vor dem Schneiden sind alle auszuführenden Schnitte deutlich zu markieren und zu planen, sodass sie ohne Gefahr für Mensch oder Maschine durchgeführt werden können.
- Betonblöcke ausreichend sichern oder verankern. Freigesägte Materialien mit hohem Gewicht können schwere Schäden verursachen, wenn sie nicht kontrolliert bewegt werden können.
- Stets die Wandrückseite prüfen, an der die Trennscheibe beim Durchschneiden austritt. Sichern bzw. absperren und sicherstellen, dass weder Menschen noch Material zu Schaden kommen.
- Den Arbeitsbereich stets auf das Vorhandensein von Gasleitungen überprüfen und deren Verlauf kennzeichnen. Das Schneiden in der Nähe von Gasleitungen stellt eine potenzielle Gefahrensituation dar. Funkenbildung beim Schneiden vermeiden, andernfalls besteht Explosionsgefahr. Konzentrieren Sie sich voll auf Ihre Arbeitsaufgabe. Unachtsamkeit kann zu schweren Verletzungen bis hin zum Tod führen.
- Stellen Sie sicher, dass innerhalb des Arbeitsbereichs keine Rohre oder elektrischen Leitungen verlegt sind.
- Sicherstellen, dass die Stromkabel im Arbeitsbereich nicht stromführend sind.
- Niemals die Maschine unbeaufsichtigt mit laufendem Motor stehen lassen.
- Niemals so sägen, dass Sie den Not-Aus am Hydraulikaggregat oder den Stoppschalter auf der Fernbedienung nicht bequem und einfach erreichen können. Siehe Anleitung des Hydraulikaggregats.
- Beim Arbeiten mit den Maschinen muss stets eine weitere Person anwesend sein, die bei Unfällen Hilfestellung leisten kann.
- Personen, die sich in der Umgebung aufhalten, müssen einen Gehörschutz tragen, da der Geräuschpegel beim Schneiden 85 dB(A) überschreitet.
- Sorgen Sie dafür, dass Menschen und Tiere einen Sicherheitsabstand von 4 m (15 ft) einhalten, während Sie mit dem Gerät arbeiten.
- Vermeiden Sie es, das Gerät bei schlechtem Wetter zu benutzen. Z.B. bei dichtem Nebel, Regen oder Wind, großer Kälte usw. Das Arbeiten bei schlechtem Wetter ist sehr ermüdend und kann gefährliche Umstände herbeiführen, z. B. Rutschgefahr.
- Sorgen Sie dafür, daß der Arbeitsbereich ausreichend beleuchtet ist, damit Sie sicher arbeiten können.
- Sorgen Sie immer dafür, dass Sie bei der Arbeit fest und sicher stehen.
- Vorsicht beim Heben. Schweres Gerät bedeutet Klemmgefahr und Gefahr für andere Verletzungen.



WARNUNG! Trennscheiben sind ausschließlich für das vorgesehene Material zu verwenden.

Das Betreiben von Trennscheiben bei Drehzahlen, die über dem vom Hersteller empfohlenen Wert liegen, kann zu Schäden an der Trennscheibe und zu Verletzungen führen. Siehe das Kapitel Technische Daten.

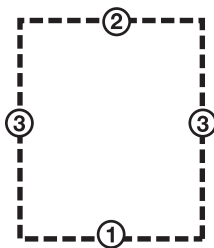
Grundlegende Arbeitstechnik



- Stets mit dem Schneiden einer Führungsnut beginnen. Dazu die Trennscheibe 3-7 cm (1,2"-2,8") einführen. Dann die Führungsnut schneiden. Der Schnitt sollte nicht mit maximaler Geschwindigkeit, sondern vorsichtig ausgeführt werden, um einen geraden Schnitt zu erzielen und die nachfolgenden Schnitte zu erleichtern. Durch den Schwenkarm können beim Start Trennscheiben von einer Größe von bis zu 1000 mm verwendet werden. Es wird empfohlen, den Schneidevorgang mit einer 800-mm-Klinge zu beginnen.
- Wenn der Führungsschnitt abgeschlossen ist, können tiefere Schnitte vorgenommen werden. Ihre jeweilige Tiefe richtet sich nach Faktoren wie der Betonhärte, dem Vorhandensein von Armierungseisen usw. Der maximale Durchmesser der Klinge für tiefere Schnitte beträgt 1.200 mm.
- Wird die Trennscheibe gewechselt, um die Schnitttiefe in demselben Schnitt zu erhöhen, muss sichergestellt werden, dass die Stärke der Trennscheibe der Breite der Nut entspricht.
- Das Gerät arbeiten lassen, ohne die Trennscheibe zu forcieren oder einzudrücken.
- Betonblöcke ausreichend sichern oder verankern. Freigesägte Materialien mit hohem Gewicht können schwere Schäden verursachen, wenn sie nicht kontrolliert bewegt werden können.

Blöcke schneiden

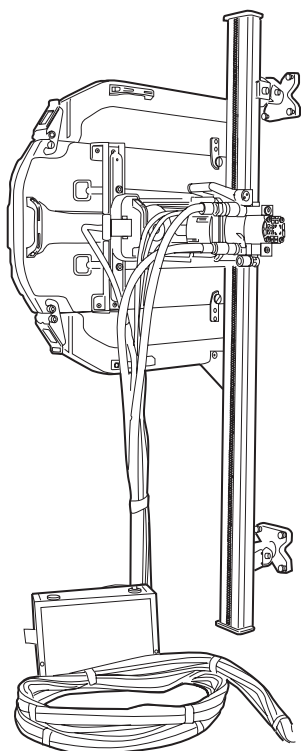
- Zuerst den unteren waagrechten Schnitt ausführen. Dann den oberen waagrechten Schnitt ausführen. Abschließend die beiden senkrechten Schnitte ausführen.



- Wird der obere waagrechte Schnitt vor dem unteren waagrechten Schnitt ausgeführt, fällt das Werkstück auf die Klinge und klemmt sie ein.
- Für den letzten Schnitt sollte die Schneideinheit an einer angrenzenden festen Wand angebracht werden.
- Da die Schiene symmetrisch ist, kann die Schneideinheit auf ihr gewendet werden, um einen neuen Schnitt auf der anderen Seite der Schiene auszuführen. Auf diese Weise haben die geschnittenen Stücke eine leichter hantierbare Größe und lassen sich besser vom Arbeitsplatz transportieren.

- Da die Drehrichtung der Trennscheibe ausgewählt werden kann, kann auch das Sprühwasser von der Trennscheibe unabhängig davon ausgewählt werden, wie die Säge auf der Schiene angeordnet ist.

WS 462



Wir hoffen, dass Sie mit Ihrer Maschine über lange Jahre zufrieden sein werden. Denken Sie daran, diese Bedienungsanleitung sicher aufzubewahren. Die genaue Befolgung ihres Inhalts (Verwendung, Service, Wartung usw.) verlängert die Lebensdauer der Maschine erheblich und erhöht zudem ihren Wiederverkaufswert. Sollten Sie Ihre Maschine verkaufen, händigen Sie dem neuen Besitzer bitte auch die Bedienungsanleitung aus.

Mit dem Erwerb unserer Produkte erhalten Sie professionelle Hilfe bei Reparaturen und Service. Haben Sie das Gerät nicht bei einem unserer Vertragshändler gekauft, fragen Sie dort nach der nächsten Servicewerkstatt.

Husqvarna Construction Products ist stets bestrebt, die Konstruktion der Produkte zu verbessern. Husqvarna behält sich daher das Recht vor, ohne vorherige Ankündigung und ohne weitere Verpflichtungen Konstruktionsänderungen einzuführen.

Allgemeines

Die Serie WS 400 ist eine völlig neue Reihe mit Wand-Trennschleifern von Husqvarna. Mit der Serie Husqvarna WS 400 wollten wir mit modernen Produktionsverfahren und hochleistungsfähigem Material einen leichten und gleichzeitig starken Wand-Trennschleifer entwickeln, der leicht von einer Person zu bedienen sein soll.

Zu den Neuheiten der Serie WS 400 gehört u. a. die Möglichkeit, die Trennscheibe radial am Trennschleifer zu befestigen. Dass die Schneideinheit mit einer Schnellkupplung auf einem Wagen und nicht direkt auf der Schiene montiert ist, erleichtert die Montage des Trennschleifers erheblich.

Um die Eingangsleistung optimal auszunutzen, wird der Trennschleifer auf der neuesten Husqvarna-Schiene angebracht. Da es sich hierbei um eine äußerst stabile Schiene handelt, kann der Trennschleifer exakter gesteuert werden und das Schneiden erfolgt mit verbesserter Effizienz.

Da die Komponenten der Ausrüstung mit geringen Verlusten arbeiten und die Trennscheibe im Vergleich zu früheren Ausführungen um 50 mm nach innen versetzt wurde, konnte die Maschine kompakter konstruiert und gleichzeitig die Effizienz erhöht werden.

Zu einer kompletten Trennschleiferausrüstung gehören:

- Eine Schneideinheit
- Eine Schiene 1,2 m
- Eine Schiene 2 m
- Vier Wandbefestigungen
- Ein Schienenhalter
- Ein Verbinder
- Ein Trennscheibenschutz 800 oder ein Trennscheibenschutz 1000
- Eine Führung für den Trennscheibenschutz
- Ein Werkzeugsatz
- Eine Flasche Husqvarna Oil 150

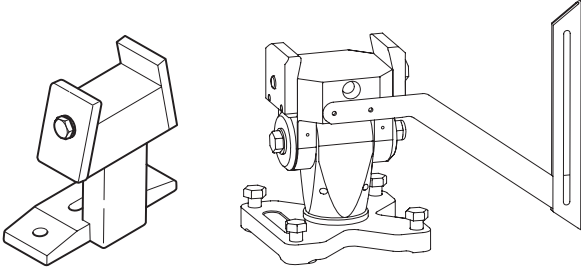
Transportbehälter für die verschiedenen Einheiten. Ab Werk ist auf der langen und der kurzen Schiene ein Sägewagen angebracht, um den Schneidvorgang so einfach wie möglich zu gestalten.

Da ein großer Teil der Arbeit aus Transporten besteht, wird die Schneidausrüstung in speziell entwickelten Kisten geliefert. Die Kisten bieten beim Transport einen wirksamen Schutz, und gleichzeitig verringert sich die Anzahl der zu bewegenden Ausrüstungsteile – für noch effektiveres Arbeiten.

MONTAGE

Wandbefestigungen und Schiene montieren

Für die Serie Husqvarna WS 400 sind zwei Arten von Wandbefestigungen erhältlich: zum einen Standard-Wandbefestigungen, die zum Lieferumfang gehören, zum anderen die rotierbare Wandbefestigung Universal.



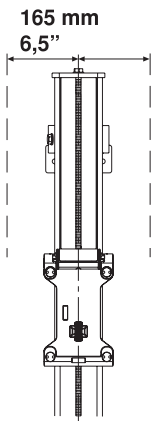
WICHTIG! Die Serie Husqvarna WS 400 darf nur mit den beiden o. g. Wandbefestigungen verwendet werden. Die älteren Husqvarna-Wandbefestigungen gleichen der neuen Standard-Ausführung, haben jedoch einen längeren Fuß. Diese Befestigungen dürfen nicht mit der Serie WS 400 benutzt werden, da der Arm mit dem Fuß der Befestigung kollidieren kann.

Beim Schneiden von Türen, beim Flach- oder Schrägschneiden sowie beim Treppenschneiden und Nutenschneiden ist die Wandbefestigung Universal zu verwenden. Soll ein gewöhnlicher, gerader Schnitt ausgeführt werden, sind die festen Befestigungen zu benutzen.

Die Wandbefestigung Universal für die gewünschte Schnittart montieren (siehe separate Anleitung).

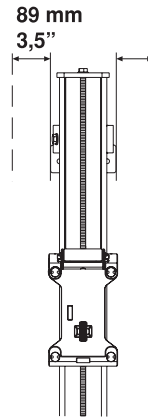
Die Standard-Wandbefestigung wie folgt montieren:

- 1 Schnittlinie markieren und die Löcher für die Spreizschrauben 165 mm (6,5") von der Schnittlinie anzeichnen.



- 2 15-mm (5/8") -Löcher für die M12 (1/2") -Spreizschrauben bohren.
- 3 Die Wandbefestigungen lose an den Spreizschrauben aufhängen, vorzugsweise M6S 12x70 (1/2"x2").
- 4 Die Schiene in die Wandbefestigungen einsetzen und die Spannscheiben anziehen.
- 5 Sicherstellen, dass die Schiene richtig mit den Laufschiene an den Wandhalterungen ausgerichtet ist, bevor die Schrauben festgezogen werden.

- 6 Den Abstand zwischen Sägeschnitt und Wandbefestigung anpassen. Der Abstand zwischen der Kante und der Innenkante des Sägeschnitts muss 89 mm (3,5") betragen. Spreizschraube anziehen.



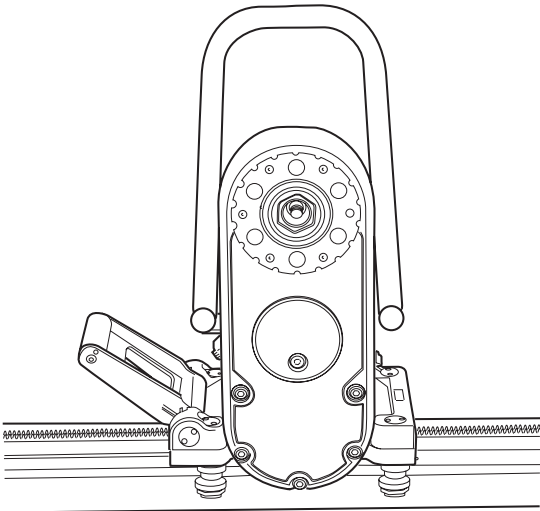
WICHTIG! Nur die mitgelieferten Verbinder verwenden, da ältere Verbinder nicht an die Serie WS 400 angepasst sind.

MONTAGE

Sägewagen und Schneideinheit montieren

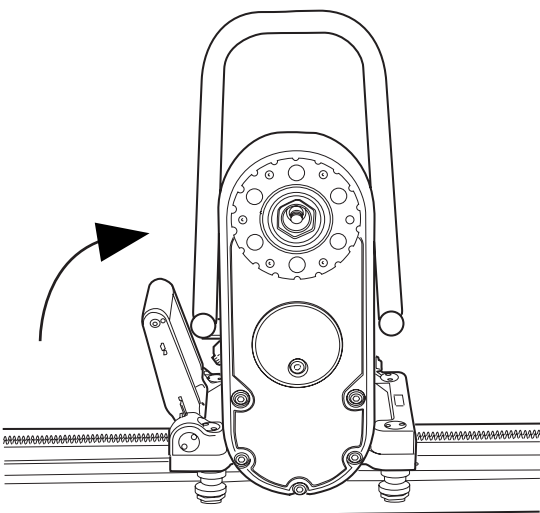
Der Sägewagen wird werkseitig montiert geliefert. Der Wagen kann von der Schiene abgebaut werden, indem die Sperre an der Schiene entfernt und der Wagen heruntergeschoben wird.

- 1 Die Schneideinheit in den Sägewagen heben und montieren. Wenn die Schneideinheit an ihren Platz gehoben wird, bewegt sich der Sperrgriff in eine Zwischenposition. In dieser Position hängt die Schneideinheit im Sägewagen, ohne dass sie festgehalten werden muss. Sie sitzt allerdings nicht fest genug, um schneiden zu können.



Bei vertikalen Schnitten muss die Schiene mit dem Sperrgriff des Sägeschlittens nach oben montiert werden. Dies erleichtert die Befestigung der Schneideinheit.

- 2 Um die Schneideinheit zu fixieren, den Sperrgriff zur Einheit hin anheben, bis er einrastet.



WARNUNG! Das Schneiden ist lebensgefährlich, wenn die Schneideinheit nicht ordnungsgemäß in Wagen und Schiene sitzt.

Klinge montieren

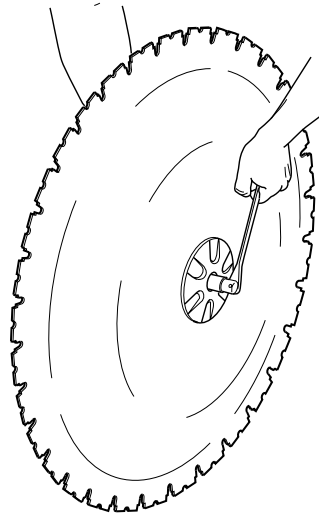


WARNUNG! Trennscheibe und Trennscheibenschutz dürfen erst nach Ausschalten des Hydraulikaggregats und Abnehmen der an der Schneideinheit angeschlossenen Hydraulikschläuche ausgebaut werden. Unachtsamkeit kann zu schweren Verletzungen bis hin zum Tod führen.

Bei der Serie Husqvarna WS 400 wird die Trennscheibe auf eine völlig neue Weise montiert. Die neue Befestigung erlaubt außer der traditionellen Art auch die radiale Befestigung auf schnelle und einfache Weise.

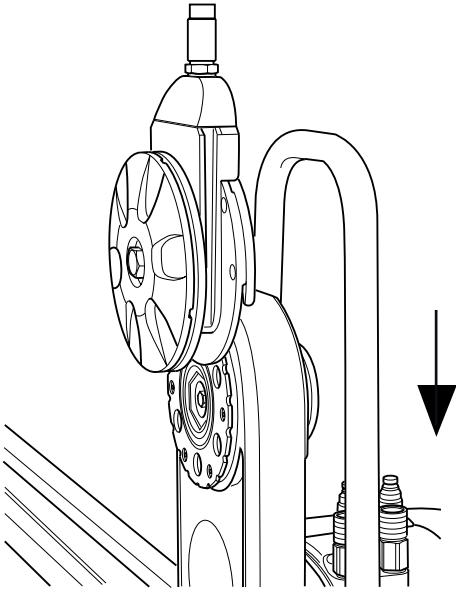
- 1 Zuerst vorhandenen Schmutz von den Kontaktflächen an Trennscheibenflansch und Trennscheibe entfernen.
- 2 Die Rotationsrichtung der Trennscheibe prüfen. Von der Sägeseite aus gesehen muss sich die Trennscheibe im Gegenuhrzeigersinn drehen, der freigelegte Teil des Diamanten muss in der Drehrichtung der Trennscheibe liegen.
- 3 Da die Drehrichtung der Trennscheibe ausgewählt werden kann, kann auch das Sprühwasser von der Trennscheibe unabhängig davon ausgewählt werden, wie die Säge auf der Schiene angeordnet ist.

Äußeren Trennscheibenflansch, Trennscheibe und Trennscheibenflanschnabe zusammenschrauben (Anzugsmoment 70-80 Nm).

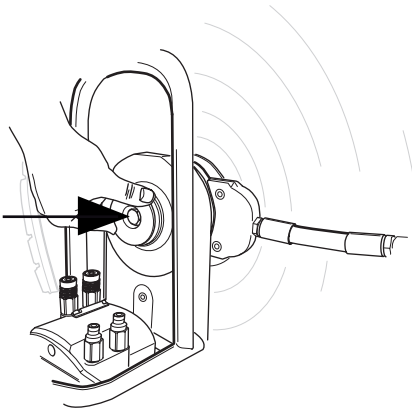


MONTAGE

- 4 Die Trennscheibe mit montiertem Flansch und Flanschnabe am Schwenkarm einhängen (die Trennscheibe ist nicht abgebildet).



- Trennscheibenflanschnabe vorsichtig drehen, sodass sie in eine der Führungsschienen des Schwenkarms gleitet und in der richtigen Position für das Festschrauben zu liegen kommt.
- 5 Die Trennscheibenachse in den Schwenkarm drücken und gleichzeitig die Trennscheibe vorsichtig drehen. Wenn sich die Trennscheibenachse nicht weiter von Hand eindrücken lässt, ist sie mit dem beiliegenden 18er Schlüssel fest anzuziehen (Anzugsmoment 70-80 Nm).

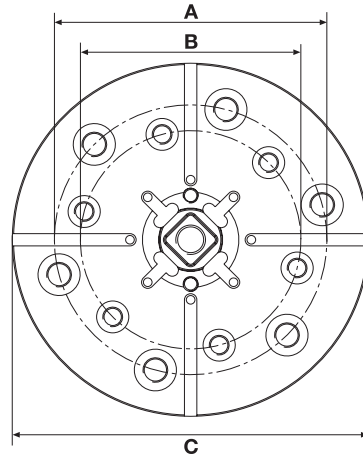


WARNUNG! Bei der Montage der Trennscheibe sorgfältig arbeiten, damit sie sich beim Schneiden nicht lösen kann. Unachtsamkeit kann zu schweren Verletzungen bis hin zum Tod führen.

Flachschneiden



Den äußeren Trennscheibenflansch abschrauben und die Trennscheibe auf der Trennscheibenflanschnabe montieren.



A = 110 mm, 6 x M10

B = 89 mm, 6 x M8

C = 144 mm

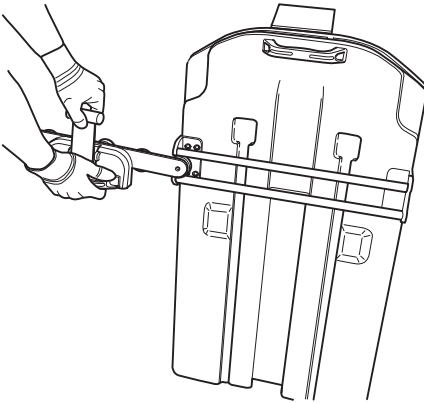
MONTAGE

Trennscheibenschutz montieren

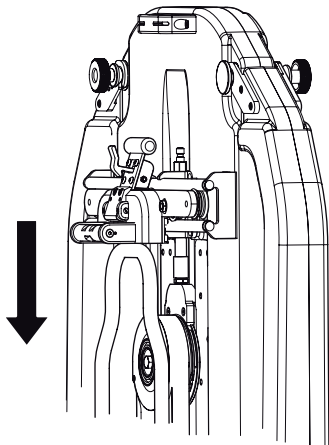


WARNUNG! Trennscheibe und Trennscheibenschutz dürfen erst nach Ausschalten des Hydraulikaggregats und Abnehmen der an der Schneideinheit angeschlossenen Hydraulikschläuche ausgebaut werden. Unachtsamkeit kann zu schweren Verletzungen bis hin zum Tod führen.

- 1 Die Trennscheibenschutzführung zwischen die Streben des Trennscheibenschutzes schieben. Die Trennscheibenschutzführung in der Mitte platzieren. Das Kunststoffgegenlager des Handgriffs mit der oberen Strebe des Trennscheibenschutzes sichern.

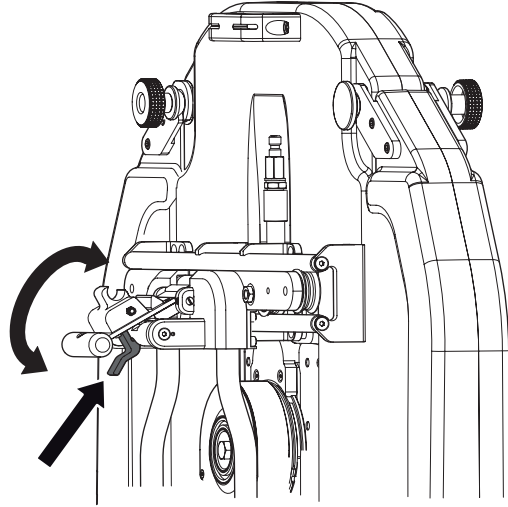


- 2 Auf eine vertikale Ausrichtung des Schwenkarms achten. Den Trennscheibenschutz über die Trennscheibe heben und in den Halter an der Schneideinheit einhängen. Darauf achten, dass die Gleitschienen des Trennscheibenschutzes in die Nuten des Wasserblocks greifen.



- 3 Trennscheibenschutz durch Herausziehen des Griffs aus dem Schutz und danach zur Schneideinheit hin verriegeln, sodass die Verriegelung den Griff arretiert.

- 4 Zum Entfernen des Schutzes die Verriegelung lösen und den Griff nach oben und innen zum Schutz hin ziehen. Das Kunststoffgegenlager an der oberen Strebe sichern.



Hydraulikaggregat anschließen

WICHTIG! Diese Maschine darf nur zusammen mit Husqvarna PP 345 sowie Husqvarna RC 348 verwendet werden. Alle anderen Einsätze sind unzulässig.

Lesen Sie die Bedienungsanweisung für das Hydraulikaggregat sorgfältig durch, bevor Sie das Gerät benutzen.

Nach Montage der Schneideinheit, der Trennscheibe und des Trennscheibenschutzes sollten die Hydraulikschläuche und die Wasserkühlung angeschlossen werden.

Es gibt zwei Arten von Hydraulikschläuchen für den Trennschleifer:

- Die vier dünneren Schläuche steuern die Vorschubmotoren, d. h. den Längsvorschub auf der Schiene sowie den Tiefenvorschub der Trennscheibe. Die beiden dickeren Schläuche treiben die Trennscheibe an.
- Vor dem Anbringen der Schläuche sind die Kupplungen abzuwischen, um die Gefahr der Leckage zu reduzieren. Zum Verriegeln der dünnen und auch der dicken Schläuche die Außenhülse der Buchsenkupplung drehen, sodass sich die Nut der Hülse von der Kugel entfernt.

STARTEN UND STOPPEN

Vor dem Start



- Den zu schneidenden Bereich einzäunen, damit keine unbeteiligten Personen zu Schaden kommen oder den Bediener stören können.
- Trennscheibe und Trennscheibenschutz auf Beschädigung und Risse kontrollieren. Trennscheibe oder Trennscheibenschutz austauschen, wenn sie Schlägen ausgesetzt wurden oder Risse aufweisen.
- Sicherstellen, dass alle Hydraulikschläuche und -anschlüsse unbeschädigt und ordnungsgemäß angeschlossen sind, und dass die Wasserkühlung ordnungsgemäß angeschlossen und eingeschaltet ist.
- Ölstand im Aggregat prüfen. Das Geschwindigkeitsventil am Sägemotor je nach Trennscheibendurchmesser justieren. (Siehe Tabelle Schneidkapazität.)
- Soll der Schneidvorgang nicht an der Stelle begonnen werden, an der sich die Schneideinheit befindet, Schneideinheit in die Startposition zu fahren.

Starten



Die Startanweisungen des Hydraulikhandbuchs befolgen.

Stoppen



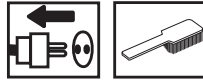
- Nach Beenden des Schneidens die Trennscheibe aus der Wand fahren und die Trennscheibenrotation sowie den Wasserstrom abschalten.
- Hydraulikaggregat ausschalten.

Demontage des Trennschleifers

- 1 Den Motor ganz zum Stillstand kommen lassen.
- 2 Das Stromversorgungskabel vom Hydraulikaggregat lösen.
- 3 Den Hauptschalter des Hydraulikaggregats ausschalten.
- 4 Hydraulikschläuche und Wasserschlauch von der Schneideinheit trennen.

Alle weiteren Schritte werden in umgekehrter Montagereihenfolge vorgenommen.

Reinigung



Nach dem Schneidvorgang ist der Trennschleifer zu reinigen. Eine Reinigung der gesamten Schneidausrüstung ist äußerst wichtig. Für die Reinigung des Trennschleifers wird empfohlen, den Wasserschlauch vom Schwenkarm abzunehmen und zum Spülen von Schneideinheit, Schiene, Trennscheibenschutz und Wandbefestigung zu verwenden. Bei Bedarf lässt sich auch gut eine Spülbürste o. Ä. zum Reinigen benutzen. Hochdruckreiniger dürfen für die Reinigung der Schneideinheit nicht verwendet werden.

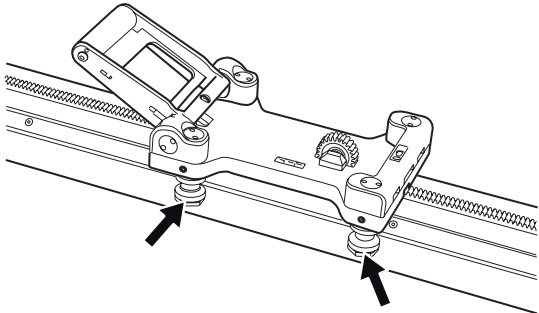
WICHTIG! Die Schneideinheit nicht mit einem Hochdruckreiniger reinigen.

EINSTELLUNGEN UND JUSTIERUNGEN

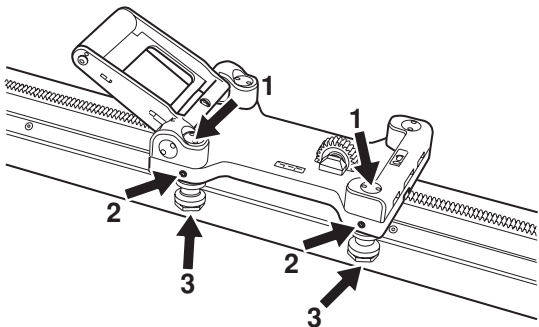
Führungsräder justieren

Damit der Trennschleifer stabil läuft und gerade Schnitte ausführt, müssen die vier Führungsräder an der Schiene anliegen und dürfen kein Spiel aufweisen. Läuft der Sägewagen mit Spiel auf der Schiene, müssen die Führungsräder justiert werden.

Die beiden markierten Führungsräder haben exzentrische Achsen, und durch Drehen der Achsen kann der Wagen auf der Schiene festgeschraubt werden.



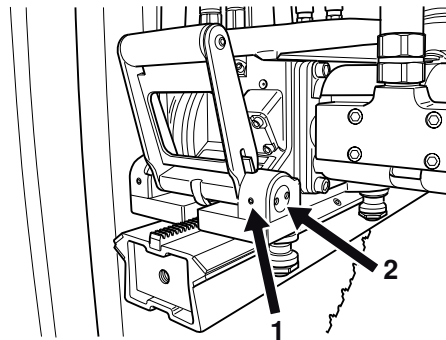
Zuerst die markierten Muttern (1) mit dem mitgelieferten Spezialwerkzeug lösen. Dann die beiden Stoppschrauben (2) lösen. Anschließend die Führungsräder (3) zur Schiene drehen, bis kein Spiel mehr vorhanden ist. Führungsräder festhalten und Stoppschrauben wieder eindrehen. Dann die Muttern wieder festschrauben, um die Führungsräder in ihrer neuen Position zu fixieren.



Trennschleifer im Sägewagen justieren

Aufgrund des Verschleißes des Trennschleifers kann es nach einigen Betriebsstunden vorteilhaft sein, zu prüfen, ob die Schneideinheit weiterhin fest in Wagen und Schiene sitzt. Ist dies nicht der Fall, muss wahrscheinlich der Handgriff justiert werden.

Die markierte (1) Inbusschraube lösen (eine auf jeder Seite des Griffs). Dann die Exzenterachsen (2) mithilfe des mitgelieferten Spezialwerkzeugs drehen, bis die Achse eng am Trennschleifer anliegt. Abschließend die Inbusschraube wieder festdrehen.



Service



WICHTIG! Sämtliche Reparaturen dürfen nur von autorisiertem Reparaturpersonal ausgeführt werden. Diese Vorschrift soll verhindern, dass der Bediener großen Gefahren ausgesetzt wird.

Nach 100 Betriebsstunden wird eine Servicemeldung angezeigt. In diesem Fall muss die gesamte Ausrüstung zu einem autorisierten Husqvarna-Händler zur Inspektion gebracht werden.

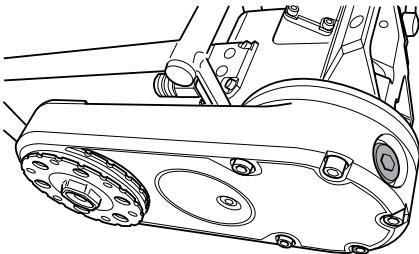
Wartung



WICHTIG! Kontrollen und/oder Wartungsarbeiten sind bei abgeschaltetem Motor und abgezogenem Stecker durchzuführen.

Ölwechsel Schwenkarm

Am Schwenkarm ist ein Ölstopfen zum Ablassen des Öls angebracht. Dieser Stopfen ist beim Ölwechsel zu reinigen. Das neue Öl wird durch die Öffnung des Ölstopfens eingefüllt.

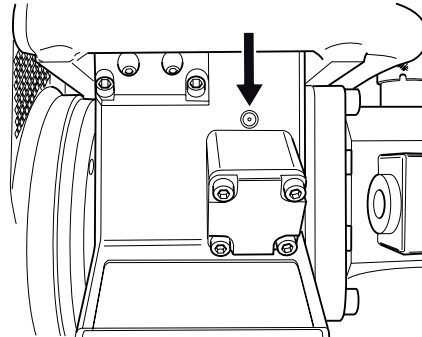


Der Schwenkarm enthält 100 ml Husqvarna Oil 150, ein Getriebeöl vom Typ EP 150. Der erste Ölwechsel ist beim ersten Service vorzunehmen. Beim Erwerb eines Trennschleifers ist eine 100-ml-Flasche Öl im Lieferumfang enthalten.

WICHTIG! Altöl aus Motor und Getriebe ist gesundheitsschädlich und darf nicht direkt im Erdboden oder in der Natur entsorgt werden.

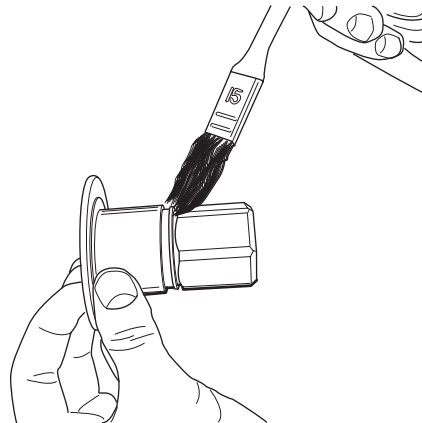
Schmierung der Vorschubräder

An jeder Schneideinheit befinden sich zwei Schmiernippel. Über diese können die Zahnräder für die Einführungsmotoren geschmiert werden. Täglich oder mindestens alle 30 Betriebsstunden schmieren. VEIDEC POWER LUBE oder ein vergleichbares Schmierfett verwenden.



Trennscheibenachse schmieren

Für eine möglichst einfache Montage der Trennscheibenachse kann es manchmal erforderlich sein, diese Sechskantachse zu schmieren. Gleichzeitig sicherstellen, dass der Sechskant nicht beschädigt ist.



Tägliche Wartung



- 1 Sicherstellen, dass alle Verbindungen, Anschlüsse und Hydraulikschläuche unbeschädigt sind.
- 2 Das Gerät äußerlich reinigen. Die Schneideinheit nicht mit einem Hochdruckreiniger reinigen.
- 3 Trennscheibe und Trennscheibenschutz auf Beschädigung und Risse kontrollieren. Trennscheibe oder Trennscheibenschutz austauschen, wenn sie Schlägen ausgesetzt wurden oder Risse aufweisen.

TECHNISCHE DATEN

WS 462

Gewicht

Sägewagen, kg/lbs	3,7/8,15
Schneideinheit, kg/lbs	21/46,3
Trennscheibenschutz kg/lbs	15/33
Schiene 1200 mm (47") kg/lbs	12,2/26,9
Schiene 2000 mm (79") kg/lbs	17,2/37,9

Hydraulikölfluss, max, l/m / gpm	55/14,5
Druck, max, bar/psi	230/3340
Längsvorschub	Hydraulisch h
Tiefenvorschub	Hydraulisch h

Das angegebene Gewicht für die beiden Schienen bezieht sich auf eine Schiene mit einem montierten Sägewagen. Soll das Schienengewicht ermittelt werden, muss also das Sägewagengewicht vom angegebenen Gewicht abgezogen werden.

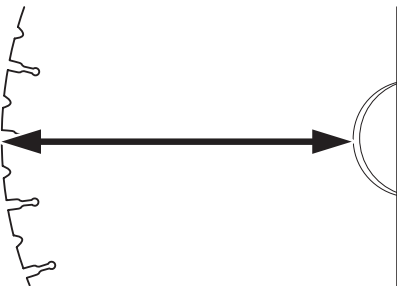
Schnittgeschwindigkeit, m/s

Klingendurchmesser, mm	600	700	800	1000	1200
Spindeldrehzahl 1260 U/min, Pos. 2	38	46	53		
Spindeldrehzahl 760 U/min, Pos. 1				40	48

Schnittgeschwindigkeit, ft/min

Klingendurchmesser, Zoll	24	28	32	40	47
Spindeldrehzahl 1260 U/min, Pos. 2	7480	9055	10433		
Spindeldrehzahl 760 U/min, Pos. 1				7874	9449

Schnittleistung



Klingendurchme Schnittleistung,

sser, mm/Zoll	mm/Zoll
800/32	330/13
1000/40	430/17
1200/48	530/21

Stets nur Originalklingen verwenden, die für die Maschinen ausgelegt sind.

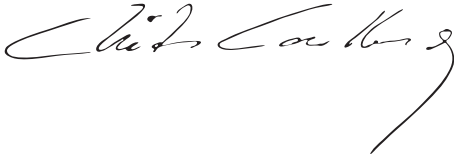
TECHNISCHE DATEN

EG-Konformitätserklärung

Husqvarna Construction Products Sweden AB, Box 2098, SE-550 02 Jönköping, Schweden, Tel.: + 46 (0)36 570 60 00 bescheinigt hiermit, dass die Herstellung des Wand-Trennschleifers WS 463 ab dem 1. Januar 2001 folgenden Richtlinien des Rates einschließlich aller Änderungen entspricht: 98/37/EG über Maschinen, 73/23/EWG „Niederspannungsrichtlinie und 89/336/EWG über elektromagnetische Verträglichkeit. Folgende Standards dienen als Grundlage: EN 55 014-1, EN 55 014-2, EN 61 000-3-2, EN 50 144-1, EN 13 862.

Der gelieferte Wand-Trennschneider entspricht dem Exemplar, das der EG-Typenprüfung unterzogen wurde.

Jönköping, den 01.01.2005



Christer Carlberg

Geschäftsführer

EXPLICATION DES SYMBOLES

Symboles sur la machine:

AVERTISSEMENT! La machine utilisée de manière imprudente ou inadéquate peut devenir un outil dangereux, pouvant causer des blessures graves voire mortelles à l'utilisateur et aux autres personnes présentes.



Lire attentivement et bien assimiler le manuel d'utilisation avant d'utiliser la machine.



Toujours utiliser:

- Casque de protection homologué
- Protecteurs d'oreilles homologués
- Lunettes protectrices ou visière
- Masque respiratoire

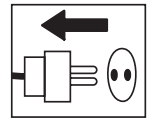


Ce produit est conforme aux directives CE en vigueur.

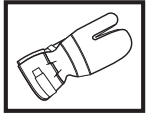


Symboles dans le manuel:

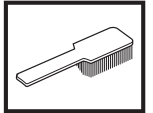
Les contrôles et/ou les entretiens doivent être effectués avec le moteur à l'arrêt et la prise électrique débranchée.



Toujours porter des gants de protection homologués.



Un nettoyage régulier est indispensable.



Examen visuel.



Porter des lunettes protectrices ou une visière.



SOMMAIRE

Sommaire

EXPLICATION DES SYMBOLES

Symboles sur la machine:	51
Symboles dans le manuel:	51

SOMMAIRE

Sommaire	52
----------------	----

QUELS SONT LES COMPOSANTS?

Quels sont les composants de la scie murale ?	53
---	----

INSTRUCTIONS DE SÉCURITÉ

Marche à suivre avant d'utiliser une nouvelle scie murale	54
Équipement de protection personnelle	54
Instructions générales de sécurité	55
Méthodes de travail	55
Techniques de travail de base	57

PRÉSENTATION

WS 462	58
--------------	----

MONTAGE

Montez les fixations murales et le rail	59
Montez le chariot de sciage et la scie.	60
Monter la lame	60
Découpe à ras	61
Montage du protège-lame	62
Raccordez l'unité hydraulique	62

DÉMARRAGE ET ARRÊT

Avant de démarrer la machine	63
Démarrage	63
Arrêt	63
Démontage de la scie	63
Nettoyage	63

RÉGLAGES

Réglage des roues de guidage	64
Réglage de la scie dans le chariot de sciage	64

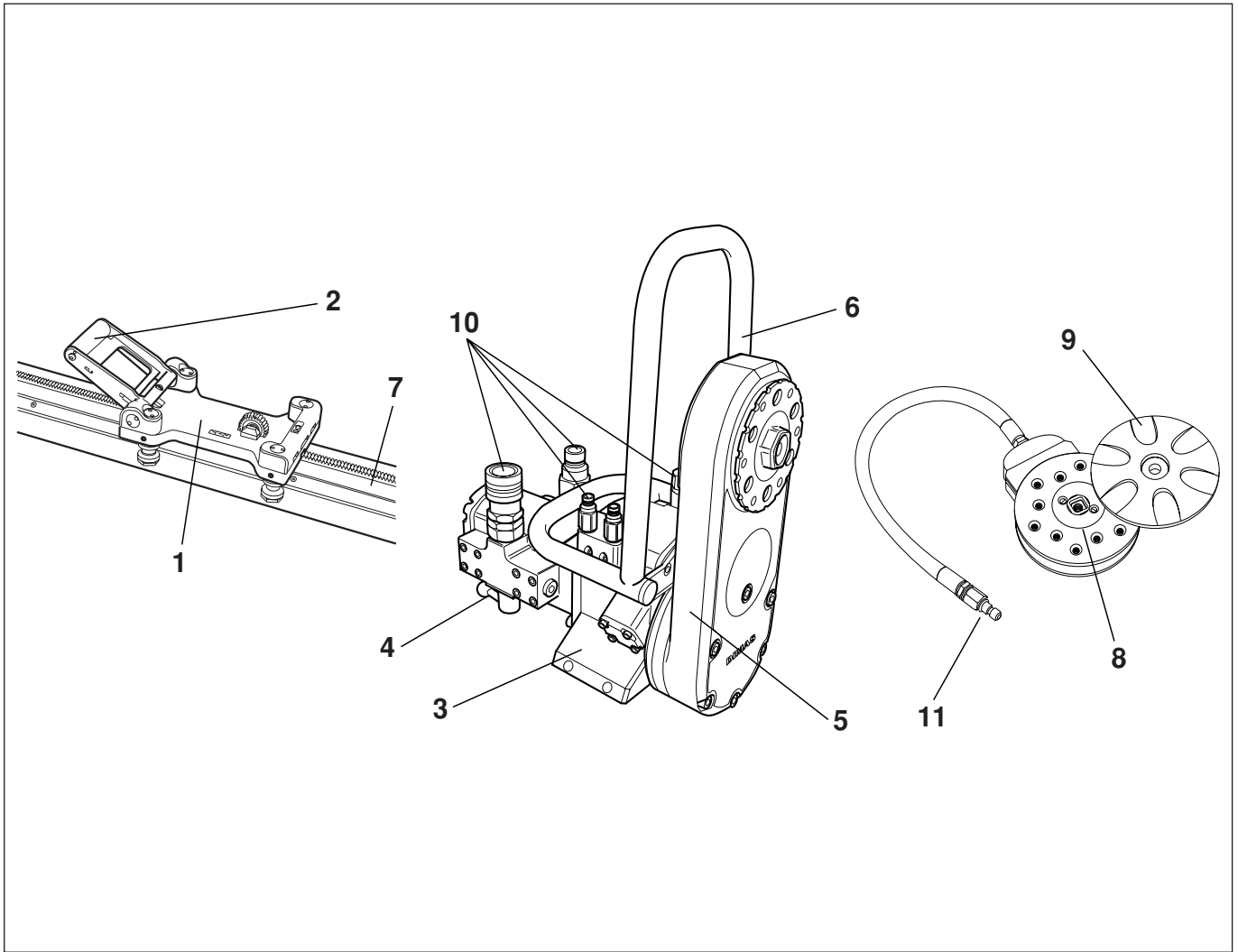
ENTRETIEN

Service	65
Entretien	65
Entretien quotidien	65

CARACTÉRISTIQUES TECHNIQUES

WS 462	66
Assurance de conformité UE	67

QUELS SONT LES COMPOSANTS?



Quels sont les composants de la scie murale ?

- | | | | |
|---|--------------------------|----|--|
| 1 | Chariot de sciage | 7 | Rail |
| 2 | Poignée de verrouillage | 8 | Moyeu de la bride de lame |
| 3 | Unité de sciage | 9 | Bride de lame extérieur |
| 4 | Vanne de vitesse | 10 | Raccordements des flexibles hydrauliques |
| 5 | Bras pivotant | 11 | Raccord de l'eau |
| 6 | Commande de protège-lame | | |

INSTRUCTIONS DE SÉCURITÉ

Marche à suivre avant d'utiliser une nouvelle scie murale

- Lire attentivement et bien assimiler le manuel d'utilisation avant d'utiliser la machine.
- Cette machine est conçue pour le sciage de béton, de brique et de divers autres matériaux à base de pierre. Elle n'est destinée à aucune autre utilisation.
- Cette machine est uniquement destinée à être utilisée avec Husqvarna PP 345 et Hsqvarna RC 348. Toute autre utilisation est interdite.
- La machine est conçue pour des applications industrielles et destinée à des opérateurs expérimentés.
- Veuillez parcourir le manuel d'utilisation fourni avec l'unité hydraulique avant d'utiliser la machine.
- La machine peut provoquer des blessures personnelles graves. Lire attentivement les consignes de sécurité. Apprendre à bien utiliser la machine.

Utilisez toujours votre bon sens

Il est impossible de mentionner toutes les situations auxquelles vous pouvez être confronté. Soyez toujours vigilant et utilisez l'appareil avec bon sens. Évitez toutes les situations pour lesquelles vous ne vous estimez pas suffisamment qualifié. Si, après avoir lu ces instructions, vous ne vous sentez toujours pas à l'aise quant à la manière de procéder, il convient de consulter un expert avant de poursuivre.

N'hésitez pas à prendre contact avec votre revendeur si vous avez des questions sur l'utilisation de la machine. Nous sommes à votre disposition et vous conseillerons avec plaisir pour vous aider à utiliser votre machine en toute sécurité et de façon efficace.

Faites régulièrement contrôler la machine par votre revendeur Husqvarna afin qu'il procède aux installations et réparations adéquates.

Toutes les informations et toutes les données indiquées dans ce manuel d'utilisation étaient valables à la date à laquelle ce manuel a été porté à l'impression.



AVERTISSEMENT! Ne jamais modifier, sous aucun prétexte, la construction initiale de la machine sans l'autorisation du fabricant. N'utiliser que des accessoires et des pièces d'origine. Toute modification non autorisée et/ou tout emploi d'accessoires non homologués peuvent provoquer des accidents graves voire mortels pour l'utilisateur et les autres.



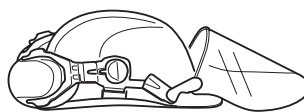
AVERTISSEMENT! L'utilisation de découpeuses, rectifieuses, perceuses, ponceuses ou raboteuses entraîne la formation de poussières et vapeurs pouvant contenir des produits chimiques dangereux. C'est pourquoi il est essentiel de connaître le matériau travaillé et de porter un masque à poussière ou respiratoire approprié.

Équipement de protection personnelle

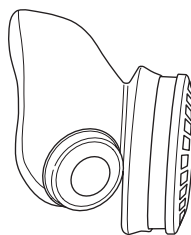


AVERTISSEMENT! Un équipement de protection personnelle homologué doit impérativement être utilisé lors de tout travail avec la machine. L'équipement de protection personnelle n'élimine pas les risques mais réduit la gravité des blessures en cas d'accident. Demander conseil au concessionnaire afin de choisir un équipement adéquat.

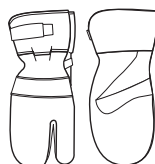
- Casque de protection
- Protecteur d'oreilles
- Lunettes protectrices ou visière



- Masque respiratoire



- Gants solides permettant une prise sûre.



- Vêtements confortables, robustes et serrés qui permettent une liberté totale de mouvement.



- Bottes avec coquille en acier et semelle antidérapante.



- Une trousse de premiers secours doit toujours être disponible.



INSTRUCTIONS DE SÉCURITÉ

Instructions générales de sécurité

Ne pas utiliser la machine sans avoir lu et compris préalablement le présent manuel d'utilisation.



AVERTISSEMENT! Le risque de coincement est toujours présent lors de travail avec des produits comportant des éléments mobiles. Utiliser des gants de protection pour éviter les blessures personnelles.

- Éviter d'utiliser la machine en cas de fatigue, d'absorption d'alcool ou de prise de médicaments susceptibles d'affecter l'acuité visuelle, le jugement ou la maîtrise du corps.
- Utiliser les équipements de protection personnelle. Voir au chapitre Équipement de protection personnelle.
- Assurez-vous que toutes les pièces sont en état de fonctionnement et que tous les éléments de fixation sont correctement serrés.
- Ne jamais utiliser une machine qui n'est pas en parfait état de marche. Suivre dans ce manuel d'utilisation les instructions de maintenance, de contrôle et d'entretien. Certaines mesures de maintenance et d'entretien doivent être confiées à un spécialiste dûment formé et qualifié. Voir au chapitre Entretien.
- Ne modifiez jamais les dispositifs de sécurité. Contrôlez régulièrement qu'ils fonctionnent correctement. La machine ne doit pas être utilisée si les dispositifs de sécurité sont défectueux ou ne sont pas montés.
- Ne jamais laisser d'autres personnes utiliser la machine sans s'être assuré au préalable que ces personnes ont bien compris le contenu du mode d'emploi.
- Des personnes ou des animaux peuvent détourner l'attention de l'opérateur et l'amener à perdre le contrôle de la machine. C'est pourquoi l'opérateur doit toujours être attentif et concentré sur son travail.
- Attention! Les habits, les cheveux longs et les bijoux peuvent se coincer dans les parties en mouvement.
- Faites preuve de prudence en cas de levage. Le maniement de pièces lourdes implique un risque de coincage ou autre blessure.

Transport et rangement

- Veillez à toujours éteindre l'unité hydraulique et à débrancher les flexibles de l'unité de sciage avant de déplacer l'équipement.
- Démontez la lame et le protège-lame avant le transport ou le remisage.
- Stockez l'équipement dans un endroit verrouillé afin de le maintenir hors de portée des enfants et de toute personne incompétente.
- Utilisez les boîtes fournies pour le remisage de l'équipement.

Méthodes de travail



AVERTISSEMENT! Le présent chapitre décrit les consignes de sécurité de base relatives à l'utilisation d'une scie murale. Aucune de ces informations ne peut néanmoins remplacer l'expérience et le savoir-faire d'un professionnel. Si vous êtes confronté à une situation où vous pensez ne pas être en sécurité, arrêtez immédiatement et consultez un spécialiste. Veillez contacter votre revendeur, votre atelier de réparation ou un utilisateur expérimenté. Il convient d'éviter tous les travaux pour lesquels vous ne vous sentez pas suffisamment qualifié !

- Tous les opérateurs doivent recevoir une formation sur l'utilisation de la machine. Il incombe au propriétaire de garantir que les opérateurs reçoivent une formation.
- Contrôlez que le protège-lame n'est pas endommagé et qu'il est monté correctement.
- Ne jamais utiliser des lames autres que les lames d'origine destinées à la machine. Demander à votre revendeur Husqvarna quelle est la lame la plus appropriée pour votre utilisation.
- N'utilisez jamais une lame endommagée ou usée.
- Ne montez ni démontez jamais la lame ou le protège-lame sans avoir préalablement éteint l'unité hydraulique et déconnecté les flexibles hydrauliques de l'unité de sciage.
- Ne procédez jamais à une découpe sans utiliser le protège-lame.
- Contrôler que la lame n'est pas en contact avec quoi que ce soit quand la machine est démarrée
- Tenez-vous à distance de la lame lorsque le moteur tourne.
- Toujours utiliser le refroidissement par eau. Ceci permet de refroidir les lames, d'augmenter leur durée de vie et de réduire la formation de poussière.
- Contrôlez que tous les raccords, connexions et flexibles hydrauliques sont intacts.
- Maintenez les flexibles hydrauliques et les raccords propres.
- Ne maltraitez pas les flexibles.
- Ne pas utiliser de tuyaux tordus, usés ou endommagés.
- Contrôlez que les flexibles sont raccordés correctement à la machine et que les raccords hydrauliques se verrouillent comme prévu avant de mettre le système hydraulique sous pression. Pour verrouiller les raccords, tournez la douille extérieure du raccord femelle afin que la rainure s'éloigne de la boule.
- Ne soulevez jamais la scie par les flexibles hydrauliques.

INSTRUCTIONS DE SÉCURITÉ

- Contrôlez tous les jours que la machine, les raccords et les flexibles hydrauliques ne présentent pas de fuites. Toute fissure ou fuite risque d'entraîner une « injection d'huile » dans le corps ou de causer une blessure corporelle grave.
- Ne débranchez jamais les flexibles hydrauliques avant d'avoir arrêté l'unité hydraulique et avant que le moteur ne se soit complètement arrêté.
- Ne dépassez pas le débit et la pression d'huile recommandés pour l'outil utilisé. Un débit ou une pression trop élevés peut causer des fissures.
- Quand des outils hydrauliques sont utilisés sur ou près de lignes électriques, utilisez des flexibles marqués et agréés comme « non conducteurs d'électricité ». L'utilisation d'autres flexibles peut résulter en des blessures personnelles graves voire mortelles.
- Avant de commencer l'opération de sciage, faire tourner le système hydraulique jusqu'à ce qu'il atteigne sa température de fonctionnement de 30°C, pour réduire la pression de retour et les usures.
- Avant le sciage, toutes les entailles doivent être marquées clairement et planifiées de manière à pouvoir être effectuées sans danger pour les personnes ou la machine.
- Calez ou attachez solidement les blocs de béton avant de procéder à la découpe. Le poids élevé du matériau scié peut causer des blessures graves s'il ne peut être déplacé de façon maîtrisée.
- Contrôlez toujours la partie arrière du mur traversé par la lame lors du sciage. Délimitez la zone de travail et assurez-vous que personne ne peut être blessé ni aucun matériau endommagé.
- Contrôlez toujours et marquez les emplacements des conduites de gaz. Scier près d'une conduite de gaz est toujours synonyme de danger. Veillez à éviter la formation d'étincelles lors du sciage en raison d'un certain risque d'explosion. L'opérateur doit toujours être attentif et concentré sur son travail. La négligence peut causer des blessures personnelles graves voire mortelles.
- S'assurer qu'il n'y a pas de tuyaux ou de câbles électriques qui traversent la zone de travail.
- Contrôlez que les câbles électriques présents dans la zone de travail ne sont pas sous tension.
- Ne laissez jamais la machine sans surveillance avec le moteur en marche.
- Ne jamais scier de façon telle que vous ne pouvez atteindre facilement le bouton d'arrêt d'urgence du groupe hydraulique ou le bouton d'arrêt de la commande à distance. Voir le manuel du groupe hydraulique.
- Lors de l'utilisation des machines, prévoyez toujours une personne à proximité afin de pouvoir obtenir de l'aide en cas d'accident.
- Les personnes devant se tenir à proximité doivent porter des protecteurs d'oreilles car le niveau sonore lors du sciage dépasse 85 dB(A).
- Vérifier qu'aucune personne et qu'un animal ne se trouvent à moins de 4 mètres (15 pieds) quand la machine est utilisée.
- Ne pas travailler par mauvais temps: par exemple en cas de brouillard épais, de pluie, de vent violent, de froid intense, etc. Travailler par mauvais temps est fatiguant et peut créer des conditions de travail dangereuses telles que le verglas.
- S'assurer que l'éclairage de la zone de travail est suffisant pour que l'environnement de travail soit de toute sécurité.
- Toujours adopter une position de travail sûre et stable.
- Faites preuve de prudence en cas de levage. Le maniement de pièces lourdes implique un risque de coincement ou autre blessure.



AVERTISSEMENT! N'utilisez jamais une lame pour tout autre matériau que celui pour lequel elle est destinée.

L'utilisation de lame de scie à des vitesses de rotation supérieures à celles recommandées par le fabricant peut endommager la lame et causer des blessures éventuelles. Voir le chapitre Caractéristiques techniques.

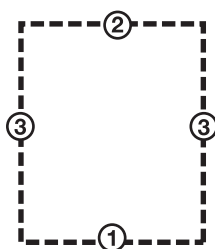
Techniques de travail de base



- Commencez toujours par scier une rainure de guidage. Ceci s'effectue en enfonçant la lame de 3-7 cm (1,2"-2,8"). Sciez ensuite la rainure de guidage. L'entaille ne doit pas être sciée à la vitesse maximale mais au contraire prudemment afin qu'elle soit droite et facilite donc l'entaille suivante. Le bras pivotant permet l'utilisation de lames pouvant atteindre 1 000 mm comme lame de démarrage. Toutefois, il est recommandé de commencer la découpe à l'aide d'une lame de 800 mm (31.5").
- Lorsque l'entaille de guidage est prête, des entailles plus profondes peuvent être sciées. La profondeur de ces entailles est déterminée au cas pour cas et dépend de facteurs tels que la dureté du béton, la présence de fer d'armature, etc. Le diamètre max. recommandé de la lame pour des coupes plus profondes est de 1 200 mm (47").
- Si vous changez de lame pour poursuivre une découpe dans la même entaille, veillez à ce que l'épaisseur de la lame corresponde à la largeur de l'entaille.
- Laissez travailler la machine sans essayer de forcer ni d'enfoncer la lame.
- Calez ou attachez solidement les blocs de béton avant de procéder à la découpe. Le poids élevé du matériau scié peut causer des blessures graves s'il ne peut être déplacé de façon maîtrisée.

Découpe de blocs

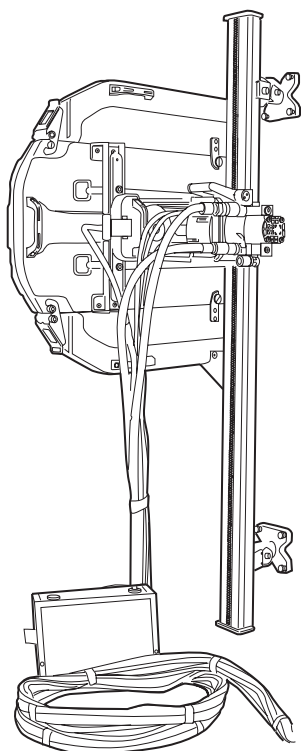
- Effectuer tout d'abord la découpe horizontale inférieure. Procéder ensuite à la découpe horizontale supérieure. Terminer par les deux coupes verticales.



- Si la découpe horizontale supérieure est réalisée avant la découpe horizontale inférieure, la pièce de travail tombe sur la lame et la coince.
- Pour la dernière découpe, il convient d'avoir préalablement monté la scie sur un mur adjacent fixe.
- Dans la mesure où le rail est symétrique, l'unité de sciage peut être tournée sur le rail afin d'effectuer une autre entaille de l'autre côté du rail. De cette manière, les morceaux sciés sont de dimensions facilitant la manipulation et le transport hors de la zone de travail.
- Etant donné qu'il est possible de sélectionner le sens de rotation de la lame, le jet d'eau de la lame peut également être réglé, quelle que soit l'orientation de la scie sur le rail.

PRÉSENTATION

WS 462



Nous espérons que cette machine vous donnera toute satisfaction et qu'elle vous accompagnera pendant de longues années. N'oubliez pas que ce manuel d'utilisation est important. En suivant les instructions qu'il contient (utilisation, révision, entretien, etc.), il est possible d'allonger considérablement la durée de vie de la machine et d'augmenter sa valeur sur le marché de l'occasion. En cas de vente de la machine, ne pas oublier de remettre le manuel d'utilisation au nouveau propriétaire.

L'achat de l'un des nos produits garantit une assistance professionnelle pour l'entretien et les réparations. Si la machine n'a pas été achetée chez l'un de nos revendeurs autorisés, demandez l'adresse de l'atelier d'entretien le plus proche.

Husqvarna Construction Products travaille constamment à améliorer la construction de ses produits. Husqvarna se réserve donc le droit de procéder à des modifications de construction sans avis préalable et sans autres engagements.

Généralités

WS 400 est une toute nouvelle série de scies murales proposée par Husqvarna. Notre objectif lors du développement de la série Husqvarna WS 400 a été d'utiliser des méthodes de production modernes et des matériaux extrêmement performants afin de concevoir une scie murale légère, puissante et facile à utiliser par une seule personne.

Parmi les nouveautés offertes par la série WS 400, remarquons, entre autres, la possibilité de fixer la lame radialement sur la scie. L'unité de sciage est montée sur un chariot à l'aide d'une fixation rapide et non pas directement sur le rail, ce qui facilite considérablement le montage de la scie.

Pour profiter de manière optimale de la puissance d'entrée, la scie est montée sur le nouveau rail Husqvarna. Ce rail est extrêmement stable, ce qui permet de guider la scie de manière plus précise et donc d'obtenir un sciage plus efficace. Les composants individuels de l'équipement fonctionnent avec de petites pertes et la lame a été déplacée de 50 mm par rapport aux modèles antérieurs, ce qui permet d'obtenir une conception extrêmement compacte de la scie et une meilleure efficacité.

Un équipement de sciage complet est constitué de :

- Une unité de sciage
- Un rail de 1,2 m
- Un rail de 2 m
- Quatre fixations murales
- Un support de rail
- Un raccord
- Un protège-lame 800 ou un protège-lame 1000
- Une commande de protège-lame
- Un kit d'outils
- Un flacon de Husqvarna oil 150

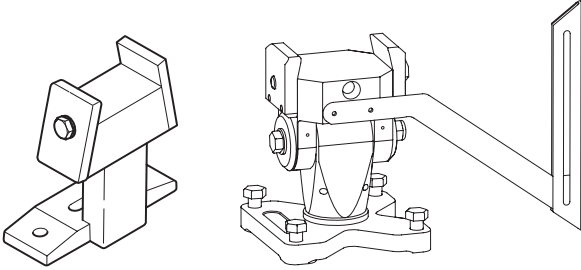
Des caisses de transport pour les différentes unités. Un chariot de sciage est monté à l'usine sur le rail court et le rail long afin de faciliter le sciage.

Une grande partie du travail de sciage étant consacrée aux transports, l'équipement de sciage est livré dans des caisses spécialement conçues. Les caisses assurent une bonne protection durant le transport et réduisent le nombre de colis à déplacer entre les sites de travail, augmentant ainsi le rendement.

MONTAGE

Montez les fixations murales et le rail

Deux types de fixations murales sont disponibles pour la série Husqvarna WS 400 : les fixations standard fournies à la livraison et la fixation rotative universel.



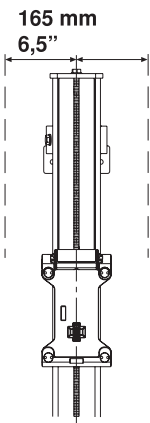
IMPORTANT! La série Husqvarna WS 400 ne doit être utilisée qu'avec les deux fixations murales citées ci-dessus. Les fixations murales Husqvarna antérieures sont semblables à la fixation murale standard mais présentent un pied plus long. Cette fixation ne doit pas être utilisée avec la série WS 400 car le bras risque d'accrocher le pied de la fixation.

Utilisez la fixation murale universel lors du sciage de porte, du sciage à plat, du sciage transversal (par exemple pour les escaliers), ainsi que du sciage à angle. Si l'entaille doit être une entaille ordinaire droite, utilisez les fixations fixes.

Montez la fixation murale universel pour la méthode de sciage souhaitée (voir manuel séparé).

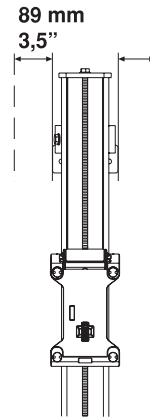
Montez la fixation murale standard comme suit :

- 1 Marquez la ligne de sciage et les trous des boulons d'expansion à 165 mm (6,5") de la ligne de sciage.



- 2 Percez des trous de 15 mm (5/8") pour les boulons d'expansion M12 (1/2").
- 3 Accrochez les fixations murales (sans les serrer) dans les boulons d'expansion, généralement de type M6S 12 x 70 (1/2"x2").
- 4 Placez le rail dans les fixations murales et serrez les rondelles de serrage.
- 5 Vérifier que le rail est tout à fait aligné aux sillons sur les supports muraux avant de serrer les vis.

- 6 Réglez la distance entre l'entaille et la fixation murale. La distance entre le bord et le bord intérieur de l'entaille doit être de 89 mm (3,5"). Serrez le boulon d'expansion.



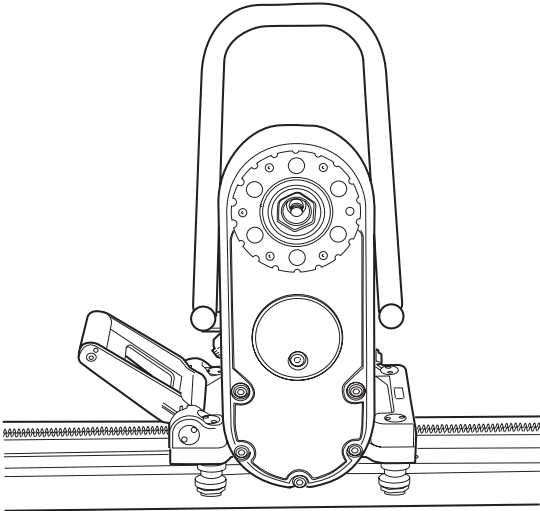
IMPORTANT! Utilisez uniquement les raccords fournis avec la scie ; les anciens raccords ne sont pas adaptés à la série WS 400.

MONTAGE

Montez le chariot de sciage et la scie.

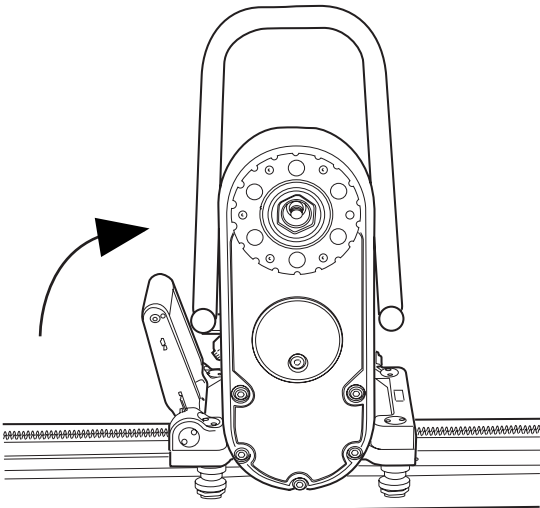
Le chariot de sciage est livré monté sur le rail. Le chariot peut être séparé du rail en retirant le butoir du rail puis en sortant le chariot.

- 1 Montez le corps de scie dans le chariot de sciage en le soulevant pour le mettre en place. Lorsque la scie est en place, la poignée de verrouillage se soulève en position intermédiaire. Dans cette position, la scie reste dans le chariot sans qu'il soit nécessaire de la maintenir. Cette position n'est cependant pas assez stable pour permettre le sciage.



Pour des coupes verticales, il convient de monter le rail, avec la poignée de verrouillage pour le transport de la scie levée vers le haut. Cela facilite l'installation de l'unité de sciage.

- 2 Pour fixer la scie, levez la poignée de verrouillage vers la scie jusqu'à ce que la poignée se verrouille.



AVERTISSEMENT! Danger de mort si la scie n'est pas correctement fixée dans le chariot de sciage et le rail.

Monter la lame

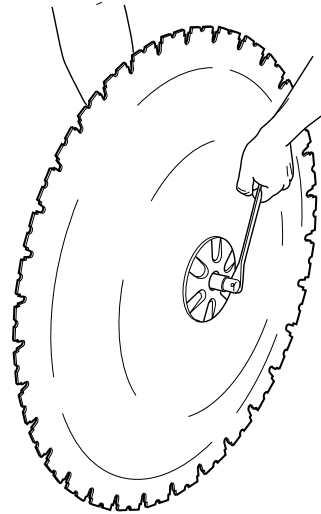


AVERTISSEMENT! Ne montez ni démontez jamais la lame ou le protège-lame sans avoir préalablement éteint l'unité hydraulique et déconnecté les flexibles hydrauliques de l'unité de sciage. Toute négligence peut causer de graves blessures ou peut être fatale.

Sur la série husqvarna WS 400 la lame se monte d'une toute nouvelle manière. La nouvelle fixation permet de fixer la lame, en plus de la manière classique, en position radiale, simplement et rapidement :

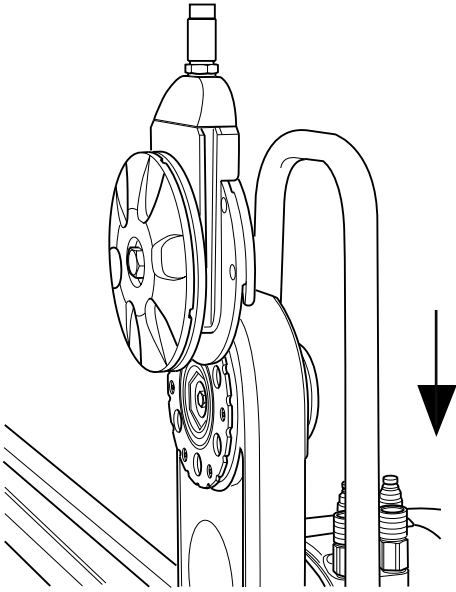
- 1 Commencez par nettoyer les surfaces de contact de la bride de la lame et de la lame afin d'éliminer les impuretés.
- 2 Contrôlez le sens de rotation de la lame. La lame doit tourner dans le sens contraire des aiguilles d'une montre à partir du côté scie et la partie libre du diamant doit être placée dans le sens de rotation de la lame.
- 3 Etant donné qu'il est possible de sélectionner le sens de rotation de la lame, le jet d'eau de la lame peut également être réglé, quelle que soit l'orientation de la scie sur le rail.

Fixez ensemble la bride de lame extérieure, la lame et le moyeu de la bride de lame (couple de serrage 70-80 Nm).

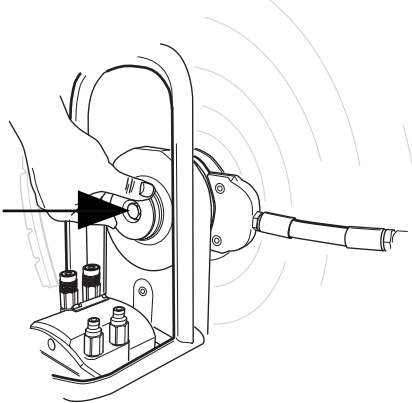


MONTAGE

- 4 Fixez la lame avec la bride de lame et son moyeu montés sur le bras de scie (la lame n'est pas représentée sur l'illustration).



- Tournez le moyeu de la bride de lame délicatement de façon à ce qu'il glisse dans l'un des rails du bras pivotant et atteigne la position adéquate pour pouvoir être vissé.
- 5 Enfoncez l'arbre de lame dans le bras de scie tout en tournant prudemment la lame. Lorsque l'arbre de scie ne peut plus être enfoncé manuellement, serrez-le à l'aide de la clé 18 fournie jusqu'à ce qu'il soit solidement en position (couple de serrage 70-80 Nm).

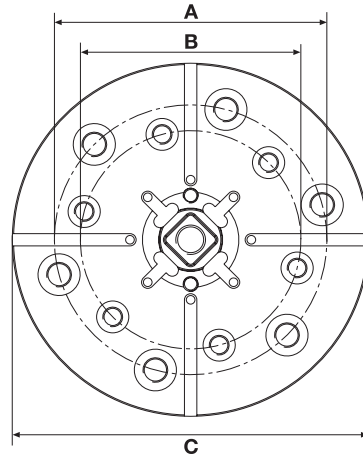


AVERTISSEMENT! Faites preuve de prudence lors du montage de la lame afin qu'elle ne risque pas de se détacher pendant le sciage. Toute négligence peut causer de graves blessures ou peut être fatale.

Découpe à ras



Dévissez la bride de lame extérieure et montez la lame sur le moyeu de la bride de lame.



A = 110 mm/4,33 pouces, 6xM10

B = 89 mm/3,5 pouces, 6xM8

C = 144 mm/5,7 pouces

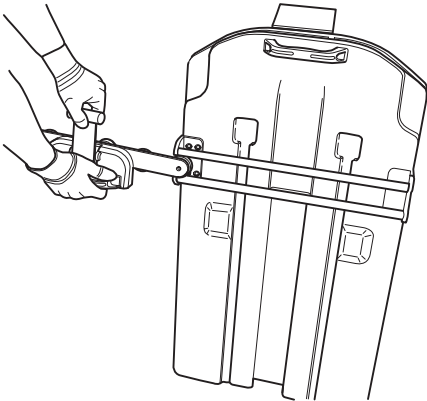
MONTAGE

Montage du protège-lame

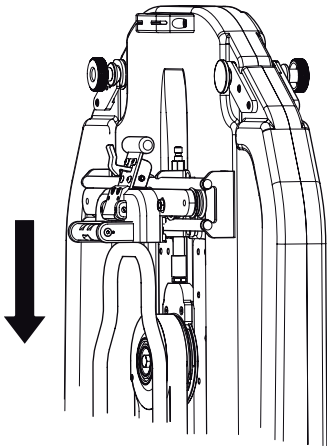


AVERTISSEMENT! Ne montez ni démontez jamais la lame ou le protège-lame sans avoir préalablement éteint l'unité hydraulique et déconnecté les flexibles hydrauliques de l'unité de sciage. Toute négligence peut causer de graves blessures ou peut être fatale.

- 1 Glissez le guide du protège-lame entre les supports du protège-lame. Centrez le guide du protège-lame. Verrouillez le talon en plastique de la poignée sur la position supérieure du protège-lame.

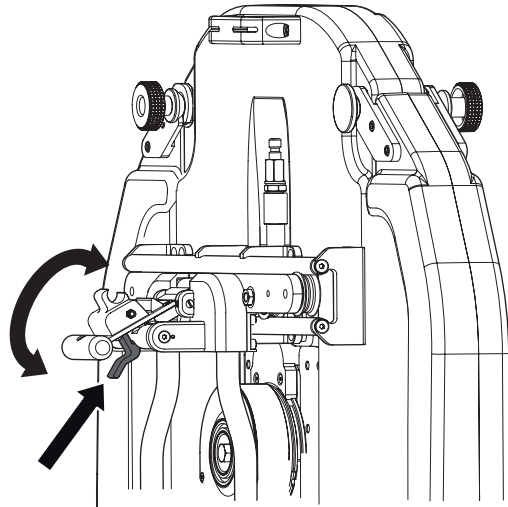


- 2 Veillez à ce que le bras pivotant soit en position verticale. Soulevez le protège-lame pour le placer sur la lame et suspendez le protège-lame dans son support sur la scie. Veillez à ce que les rails de glissement du protège-lame s'engagent dans les rainures du bloc d'eau.



- 3 Verrouiller le protège-lame en tirant la poignée vers l'extérieur puis vers le bas, vers l'unité de sciage jusqu'à ce que la poignée soit bloquée par le loquet.

- 4 Pour retirer le protège-lame, relâcher le loquet et tirer la poignée vers le haut puis vers l'intérieur, vers le protège-lame. Verrouiller le talon en plastique sur la position supérieure.



Raccordez l'unité hydraulique

IMPORTANT! Cette machine est uniquement destinée à être utilisée avec Husqvarna PP 345 et Husqvarna RC 348. Toute autre utilisation est interdite.

Veillez parcourir le manuel d'utilisation fourni avec l'unité hydraulique avant d'utiliser la machine.

L'unité de sciage, la lame et le protège-lame une fois montés, il convient ensuite de raccorder les flexibles hydrauliques et le refroidissement par eau.

Deux types de flexibles hydrauliques sont utilisés pour la scie :

- Les quatre flexibles fins commandent les moteurs d'alimentation, c'est-à-dire l'alimentation en longueur de la scie et l'entrée et la sortie de la lame. Les deux flexibles épais entraînent la lame.
- Avant de monter les flexibles, essayez les raccordements pour réduire le risque de fuite. Les flexibles fins et épais se verrouillent en tournant le raccord femelle de la douille extérieure de manière à ce que la rainure de la douille s'éloigne de la boule.

DÉMARRAGE ET ARRÊT

Avant de démarrer la machine



- Fermez la zone de sciage afin que les personnes non autorisées ne risquent pas d'être blessées ou de déranger l'opérateur.
- Vérifiez la lame et le protège-lame afin de détecter d'éventuels dommages ou fissures. Remplacez la lame ou le protège-lame s'ils ont subi des coups ou s'ils présentent des fissures.
- Vérifiez que tous les flexibles hydrauliques et toutes les connexions sont intacts et correctement raccordés et que le refroidissement par eau est, lui aussi, raccordé correctement et est allumé.
- Contrôlez le niveau d'huile dans l'unité. Réglez la vanne de vitesse située sur le moteur de scie sur la position correcte en fonction du diamètre de lame (voir le tableau Capacité de coupe).
- Si le sciage doit être entamé à un autre endroit que là où se trouve l'unité de sciage, amenez cette dernière sur la position de départ.

Démarrage



Suivez les instructions de démarrage du manuel fourni avec le groupe hydraulique.

Arrêt



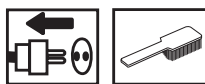
- Une fois le sciage terminé, sortez la lame du mur et arrêtez la rotation de la lame et le débit d'eau.
- Arrêtez l'unité hydraulique.

Démontage de la scie

- 1 Laissez le moteur s'arrêter complètement.
- 2 Débranchez les câbles électriques vers l'unité hydraulique.
- 3 Coupez l'alimentation électrique de l'unité hydraulique.
- 4 Débranchez les tuyaux hydrauliques et le tuyau d'eau de l'unité de sciage.

Les autres étapes du démontage s'effectuent comme celle du montage mais dans l'ordre inverse.

Nettoyage



Une fois le sciage terminé, la scie doit être nettoyée. Il est important que tout l'équipement de sciage soit nettoyé. Il est recommandé de nettoyer la scie en débranchant le tuyau d'eau du bras pivotant et en l'utilisant pour rincer l'unité de sciage, le rail, le protège-lame et la fixation murale. Si nécessaire, on peut également utiliser une brosse à vaisselle ou équivalent pour nettoyer l'équipement. Évitez d'utiliser de l'eau sous haute pression lors du nettoyage de l'unité de sciage.

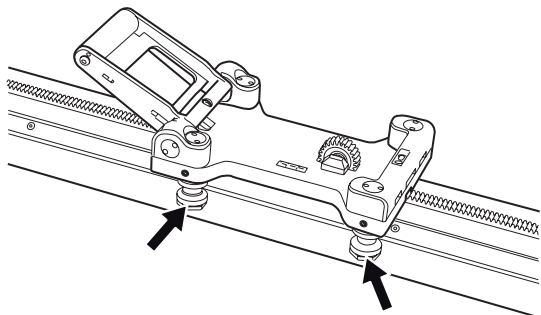
IMPORTANT! N'utilisez pas de nettoyeur haute pression pour le nettoyage de la scie.

RÉGLAGES

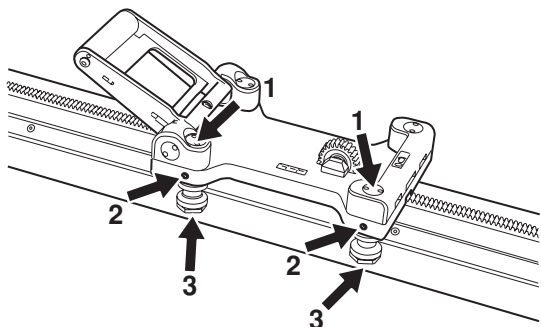
Réglage des roues de guidage

Pour obtenir un fonctionnement stable de la scie et des entailles droites, les quatre roues de guidage doivent être en contact avec le rail et ne pas présenter de jeu. En cas de jeu entre le chariot de sciage et le rail, réglez les roues de guidage :

Les deux roues de guidage marquées comportent des essieux excentriques qui peuvent être tournés pour resserrer le chariot de sciage sur le rail.



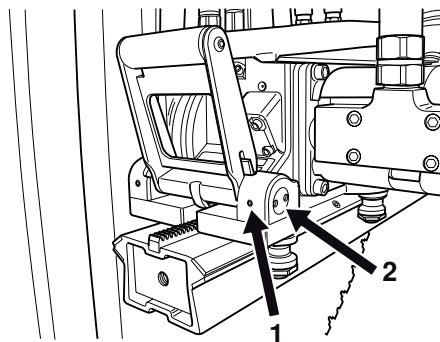
Commencez par dévisser les écrous marqués (1) à l'aide de l'outil spécial fourni. Dévissez ensuite les deux vis d'arrêt (2). Lorsqu'elles sont détachées, réglez les roues de guidage (3) contre le rail en les tournant contre le rail jusqu'à ce qu'il n'y ait plus de jeu. Maintenez les roues de guidage et revissez les vis d'arrêt. Vissez ensuite les écrous pour fixer les roues de guidage dans cette nouvelle position.



Réglage de la scie dans le chariot de sciage

En raison de l'usure de la scie, il peut être utile de vérifier, après quelques heures d'utilisation, que l'unité de sciage est bien en place dans le chariot de sciage et sur le rail. Si ce n'est pas le cas, la poignée doit probablement être réglée :

Dévisser la vis cylindrique à six pans creux marquée (1) (une de chaque côté de la poignée). Tournez ensuite les essieux excentriques (2) à l'aide de l'outil spécial fourni jusqu'à ce que l'arbre soit bien serré contre la scie. Revissez ensuite la vis cylindrique à six pans creux.



ENTRETIEN

Service



IMPORTANT! Toutes les réparations doivent être effectuées par des réparateurs agréés. Ceci permet d'éviter que les opérateurs ne soient exposés à des risques importants.

Après 100 heures d'utilisation apparaît à l'écran le message "Time for servicing" (entretien requis). Il convient alors de confier l'équipement complet à un revendeur Husqvarna agréé pour son entretien.

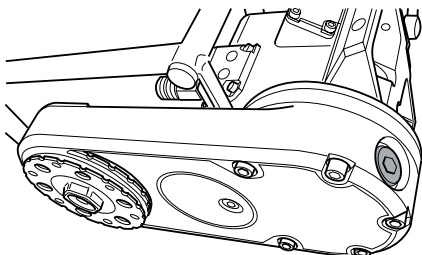
Entretien



IMPORTANT! Les contrôles et/ou les entretiens doivent être effectués avec le moteur à l'arrêt et la prise électrique débranchée.

Vidange d'huile, bras de scie

Le bras de scie comporte un bouchon d'huile permettant la vidange d'huile. Ce bouchon doit être nettoyé lors de la vidange d'huile. L'huile neuve se verse par le trou à l'emplacement du bouchon d'huile.

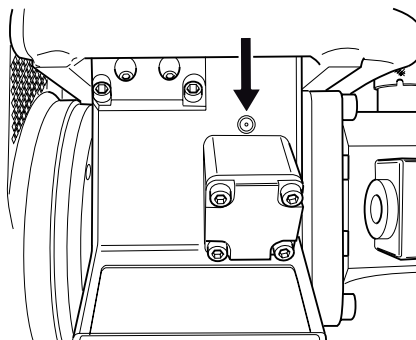


Le bras de scie contient 1 dl de Husqvarna Oil 150, une huile de transmission du type EP 150. L'huile doit être vidangée pour la première fois lors du premier entretien. Lors de l'achat, la scie est livrée avec un flacon d'1 dl d'huile.

IMPORTANT! L'huile de moteur et de transmission usagée est dangereuse pour la santé et elle ne doit pas être versée sur le sol ou rejetée dans la nature.

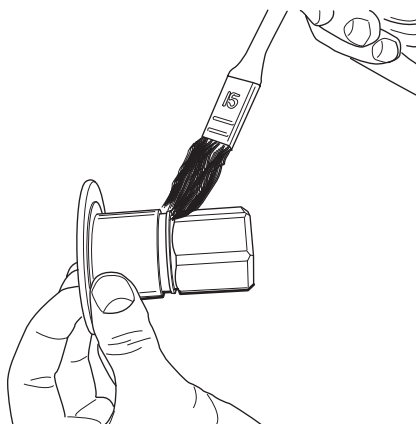
Lubrification de l'embrayage du dispositif d'alimentation

Il y a deux graisseurs sur toutes les unités de sciage. Il est possible de lubrifier les engrenages des moteurs d'alimentation via ces graisseurs. Il convient de lubrifier quotidiennement ou au moins toutes les 30 heures d'utilisation. Utilisez le POWER LUBE de VEIDEC ou un lubrifiant analogue.



Graissage de l'arbre de lame

Pour simplifier le montage de l'arbre de lame, il peut être nécessaire de graisser l'arbre de lame hexagonal. Contrôlez en même temps que l'hexagone n'est pas endommagé.



Entretien quotidien



- 1 Contrôlez que tous les raccords, connexions et flexibles hydrauliques sont intacts.
- 2 Nettoyer l'extérieur de la machine. N'utilisez pas de nettoyeur haute pression pour le nettoyage de la scie.
- 3 Vérifiez la lame et le protège-lame afin de détecter d'éventuels dommages ou fissures. Remplacez la lame ou le protège-lame s'ils ont subi des coups ou s'ils présentent des fissures.

CARACTÉRISTIQUES TECHNIQUES

WS 462

Poids

Chariot de sciage, kg/lbs	3,7/8,15
Unité de sciage, kg/lbs	21/46,3
Protège-lame kg/lbs	15/33
Rail 1200 mm (47") kg/lbs	12,2/26,9
Rail 2000 mm (79") kg/lbs	17,2/37,9

Débit d'huile hydraulique, max, l/m / gpm	55/14,5
Pression, max, bar/psi	230/3340
Alimentation en longueur	Hydrauliq ue
Entrée	Hydrauliq ue

Le poids indiqué pour les deux rails concerne un rail avec un chariot de sciage monté. Pour obtenir le poids du rail seul, il faut donc soustraire le poids du chariot de sciage du poids indiqué.

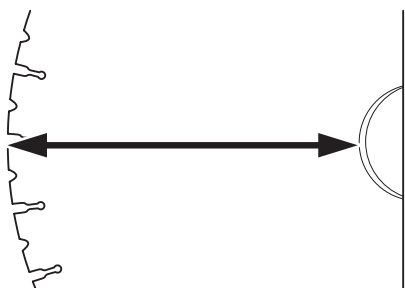
Vitesse de coupe m/s

Diamètre de lame, mm	600	700	800	1000	1200
Vitesse de rotation 1260 tr/min., pos. 2	38	46	53		
Vitesse de rotation 760 tr/min., pos. 1				40	48

Vitesse de coupe, pd/min

Diamètre de lame, pouces	24	28	32	40	47
Vitesse de rotation 1260 tr/min., pos. 2	7480	9055	10433		
Vitesse de rotation 760 tr/min., pos. 1				7874	9449

Capacité de coupe



Diamètre de lame, mm/ pouces	Capacité de découpe, mm/ pouces
800/32	330/13
1000/40	430/17
1200/48	530/21

Ne jamais utiliser des lames autres que les lames d'origine destinées à la machine.



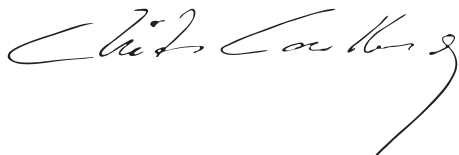
CARACTÉRISTIQUES TECHNIQUES

Assurance de conformité UE

Husqvarna Construction Products Sweden AB, Box 2098, SE-550 02 Jönköping, Suède, tél.: +46 36-570 60 00, certifie par la présente que la scie murale WS 463, à partir de 01001 et ultérieurement, est fabriquée conformément à la directive du Conseil 98/37/EG sur les machines, à la directive 73/23/EEG, « Directive sur les faibles tensions », et à la directive 89/336/EEG sur la compatibilité électromagnétique, avec amendements, et que les normes suivantes ont été utilisées comme lignes directrices: EN 55 014-1, EN 55 014-2, EN 61 000-3-2, EN 50 144-1, EN 13 862.

La scie murale livrée est conforme à l'exemplaire qui a été soumis au test de type européen.

Jönköping, 01-01-2005



Christer Carlberg

Directeur général



www.husqvarnacp.com

1151159-20



2008-03-25