

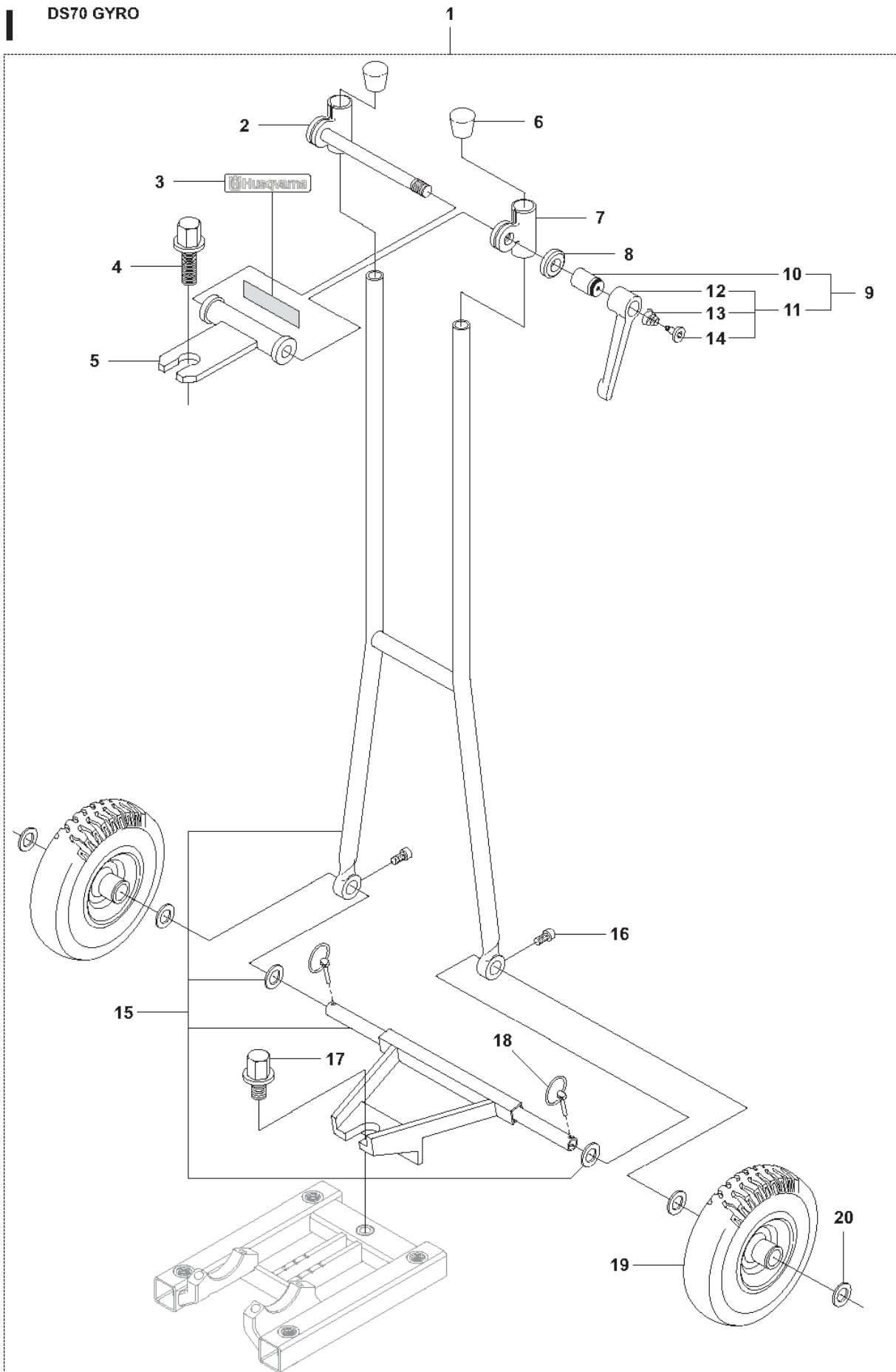


# SPARE PARTS LIST

DRILLING EQUIPMENT

DS70 Gyro, 2009-26

DS70 GYRO

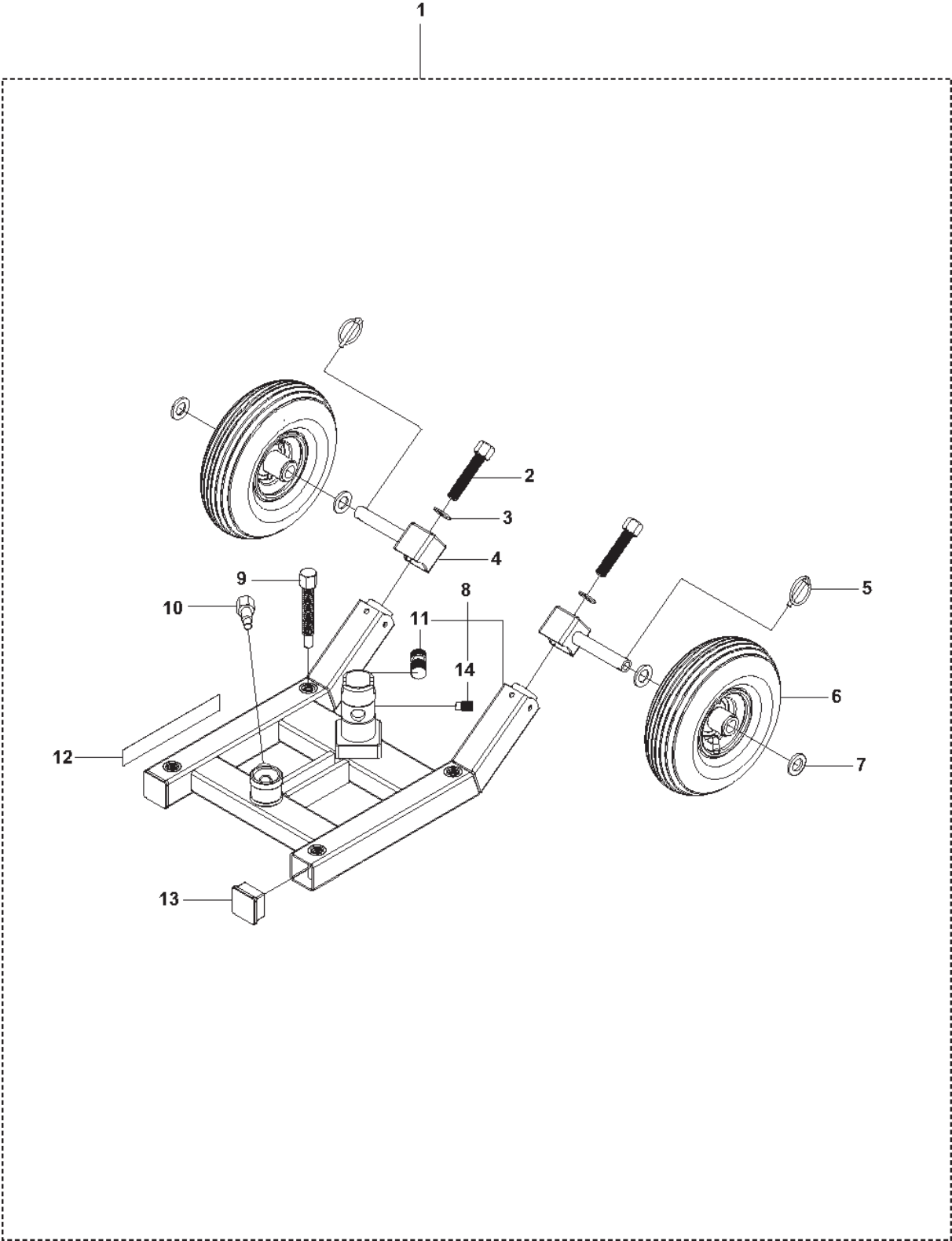


## BACK SUPPORT

DS70 Gyro, 2009-26

Ref	Part No	Description	Remark	QTY KIT
1	506 40 76-10	SUPPORT ASSY	Incl. 2-9, 15-20	1
2	531 14 07-37	SLEEVE		1
3	504 02 10-01	DECAL		1
4	531 14 07-35	SCREW		1
5	504 02 09-01	FORK		1
6	531 14 07-38	PLUG		2
7	531 14 07-39	SLEEVE		1
8	531 14 06-76	WASHER		1
9	506 40 77-15	JUSTERVRED	Incl. 10, 11	1
10	531 14 06-75	SLEEVE		1
11	501 38 46-04	HANDLE	Incl. 12-14	1
12	504 01 81-02	HANDLE		1
13	501 38 47-02	SPRING		1
14	501 38 60-02	SCREW		1
15	506 40 76-12	RETAINER		1
16	531 14 06-79	SCREW		2
17	531 14 07-43	SCREW		1
18	531 14 06-23	PEN		2
19	531 14 06-24	WHEEL		2
20	531 14 06-27	WASHER		6

**B** DS70 GYRO

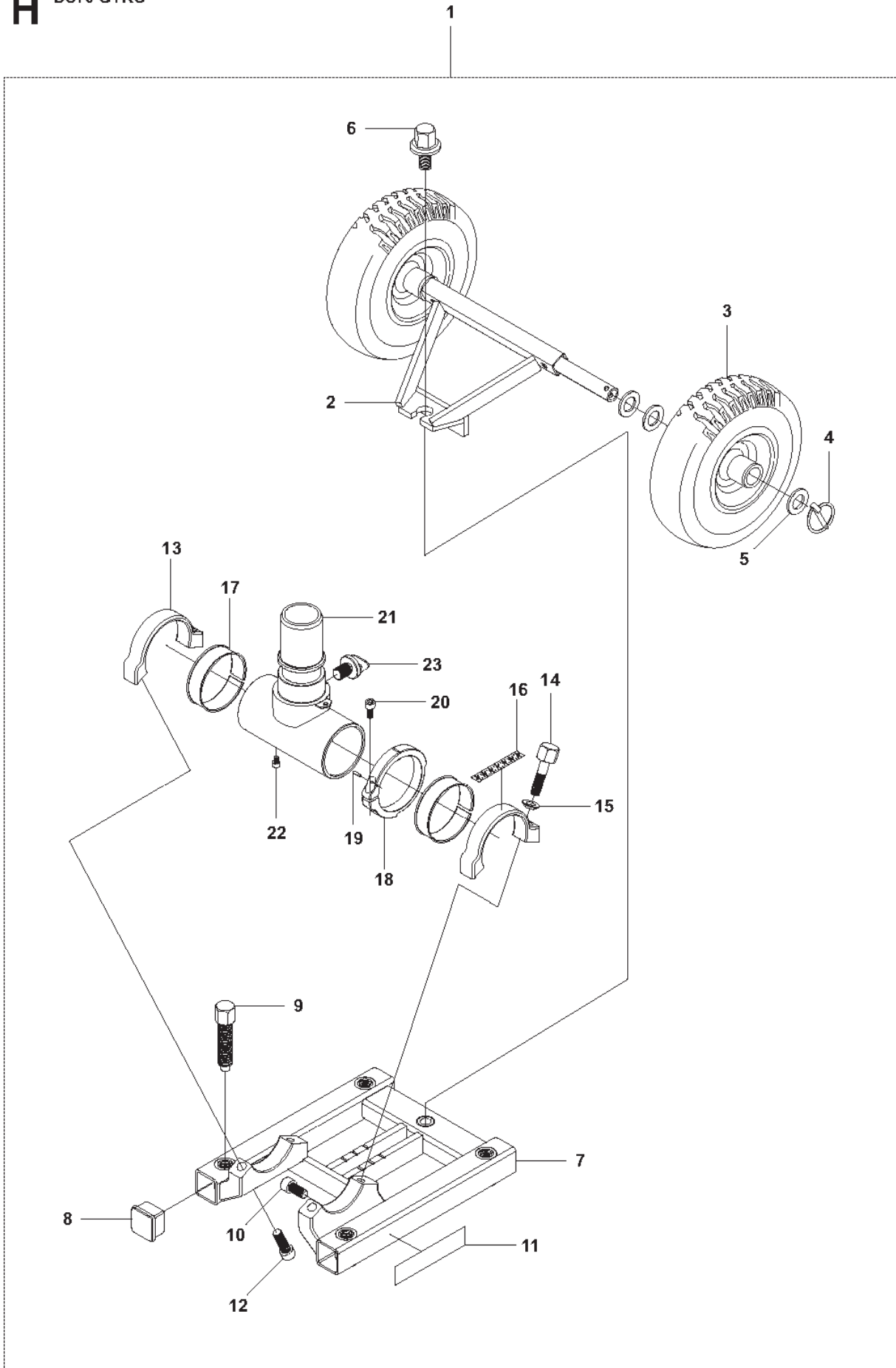


## BASE PLATE

DS70 Gyro, 2009-26

Ref	Part No	Description	Remark	QTY KIT
1	504 90 82-01	FOOT PLATE	Incl 2-13	1
2	531 14 07-21	SCREW		2
3	531 14 07-22	WASHER		2
4	522 72 32-01	WHEEL BRACKET		2
5	531 14 06-23	PEN		2
6	522 47 25-01	WHEEL		2
7	531 14 06-27	WASHER		4
8	522 95 60-02	BASEPLATE	Incl 11, 14	1
9	522 44 93-01	ADJUSTMENT SCREW		4
10	531 14 06-19	SCREW		1
11	522 95 62-01	CLAMPING SCREW		1
12	504 02 10-03	DECAL		1
13	531 14 06-64	PLUG		2
14	525 86 28-01	SCREW		1

**H** DS70 GYRO

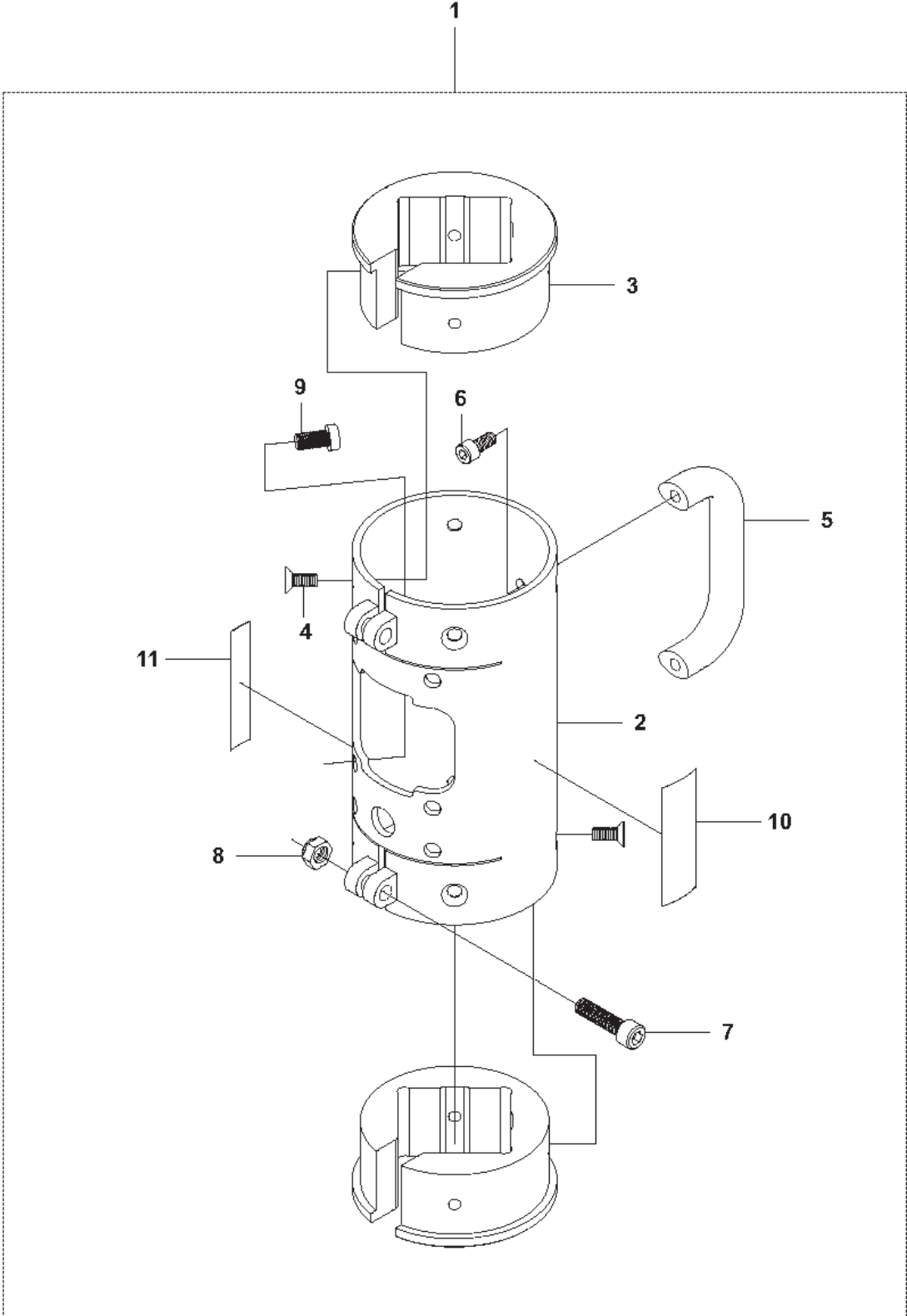


## BASE PLATE

DS70 Gyro, 2009-26

Ref	Part No	Description	Remark	QTY KIT
1	504 90 91-01	FOOT PLATE	Incl. 2-23	1
2	504 90 91-14	FOOT PLATE		1
3	531 14 06-24	WHEEL		2
4	531 14 06-23	PEN		2
5	531 14 06-27	WASHER		6
6	531 14 07-43	SCREW		1
7	504 90 91-11	FOOT PLATE		1
8	531 14 06-20	PLUG		4
9	531 14 06-18	SCREW		4
10	504 90 91-13	FOOT PLATE		1
11	504 02 10-02	DECAL		1
12	504 90 91-12	FOOT PLATE		2
13	504 90 91-03	FOOT PLATE		2
14	504 90 06-01	SCREW		2
15	504 90 91-02	FOOT PLATE		2
16	504 90 91-10	FOOT PLATE		1
17	504 90 91-04	FOOT PLATE		2
18	504 90 91-06	FOOT PLATE		1
19	504 90 91-08	FOOT PLATE		1
20	504 90 91-07	FOOT PLATE		1
21	504 90 46-01	GUIDE PIECE		1
22	504 90 91-09	FOOT PLATE		1
23	504 90 91-05	FOOT PLATE		1

# F2 DS70 GYRO



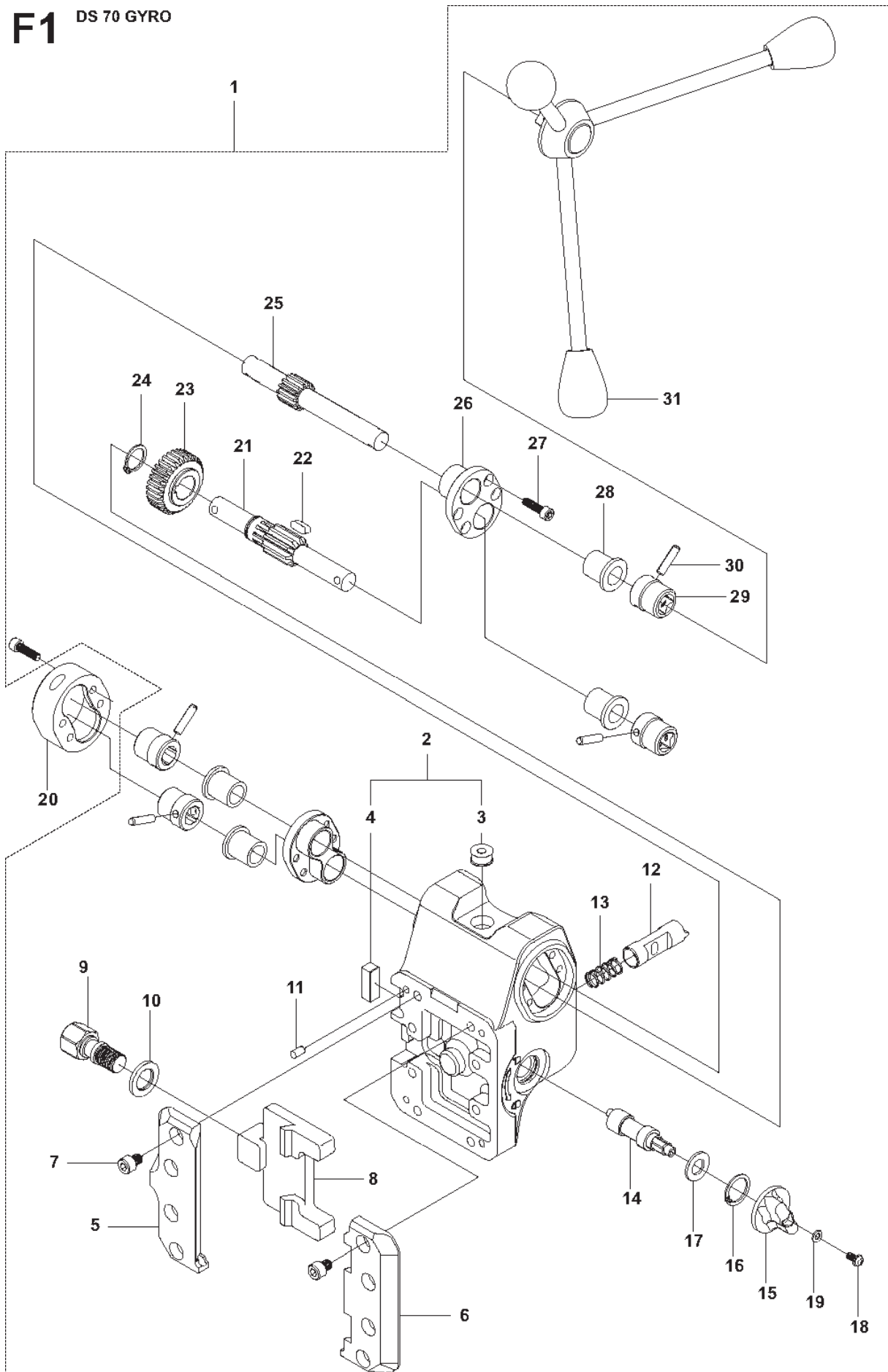


## CARRIAGE

DS70 Gyro, 2009-26

Ref	Part No	Description	Remark	QTY KIT
1	504 90 83-01	CASE	Incl. 2-11 and 2, 6-33 on Page F1	1
2	504 90 83-29	SHREDDER CASE		1
3	504 90 83-32	SHREDDER CASE		2
4	531 14 06-58	SCREW		8
5	504 90 83-30	SHREDDER CASE		1
6	531 14 06-85	SCREW		2
7	531 14 06-86	SCREW		2
8	531 14 06-30	NUT		2
9	504 90 83-34	SHREDDER CASE		6
10	504 90 83-31	SHREDDER CASE		1
11	504 02 10-01	DECAL		1

# F1 DS 70 GYRO

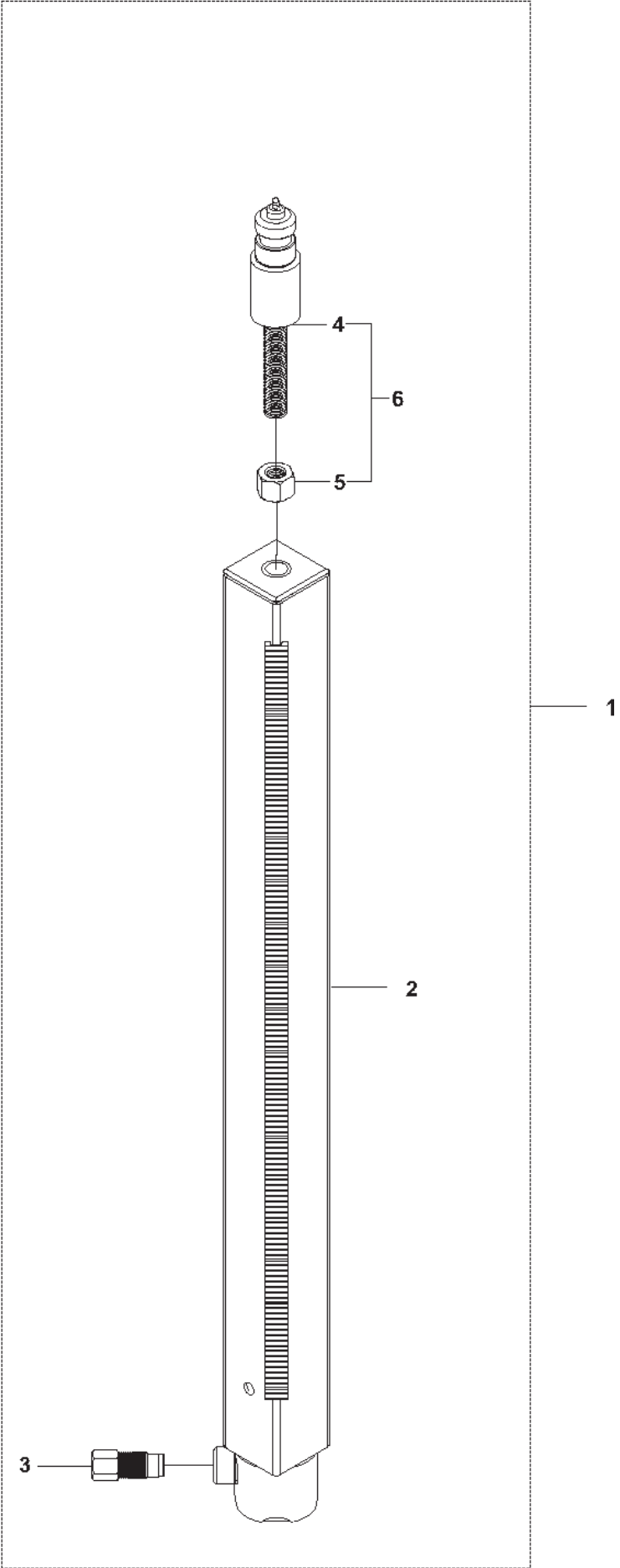


## CARRIAGE

DS70 Gyro, 2009-26

Ref	Part No	Description	Remark	QTY KIT
1	504 90 83-01	CASE	Incl 2, 6-33 and 2-11 on Page F2	1
2	504 90 83-28	SHREDDER CASE		1
3	531 14 08-97	AKRYLLIBELL LITEN		1
4	531 14 08-98	AKRYLLIBELL STOR		1
5	504 90 83-22	SHREDDER CASE		1
6	504 90 83-21	SHREDDER CASE		1
7	504 90 83-24	SHREDDER CASE	Incl. 10, 11	8
8	504 90 83-25	SHREDDER CASE		1
9	504 90 36-01	SCREW	Incl. 12-14	1
10	504 71 19-01	WASHER		1
11	504 90 83-26	PARALLEL PIN		4
12	504 71 18-01	SHAFT		1
13	504 90 83-13	SHREDDER CASE		1
14	504 90 83-14	SHREDDER CASE		1
15	504 90 83-17	CASE		1
16	504 90 83-16	SHREDDER CASE		1
17	504 90 83-15	SHREDDER CASE		1
18	504 90 83-19	SHREDDER CASE		1
19	504 90 83-18	SHREDDER CASE		1
20	504 90 83-37	SHREDDER CASE	Fitting for Autofeed, not included	1
21	582 89 30-01	GEAR WHEEL SHAFT		1
22	504 90 83-36	SHREDDER CASE		1
23	504 60 04-01	GEAR WHEEL		1
24	504 90 83-05	SHREDDER CASE		1
25	504 90 86-01	GEAR WHEEL SHAFT		1
26	504 90 83-07	SHREDDER CASE		2
27	504 90 83-12	SHREDDER CASE		8
28	504 90 83-08	SHREDDER CASE		4
29	504 90 83-09	CASE		4
30	504 90 83-10	SHREDDER CASE		4
31	504 90 83-27	SHREDDER CASE		1

**C** DS70 GYRO

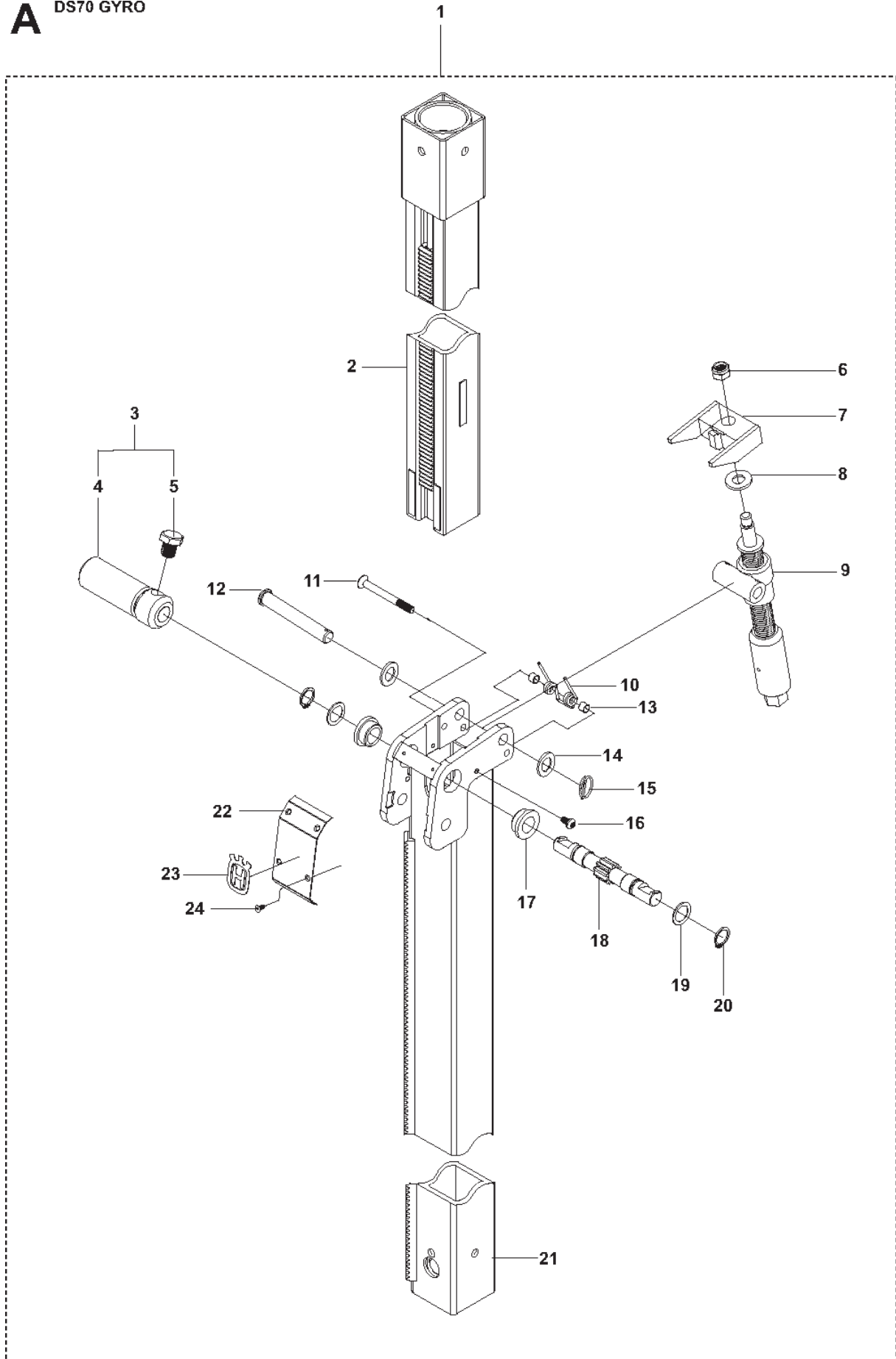


COLLUMN ASSY

DS70 Gyro, 2009-26

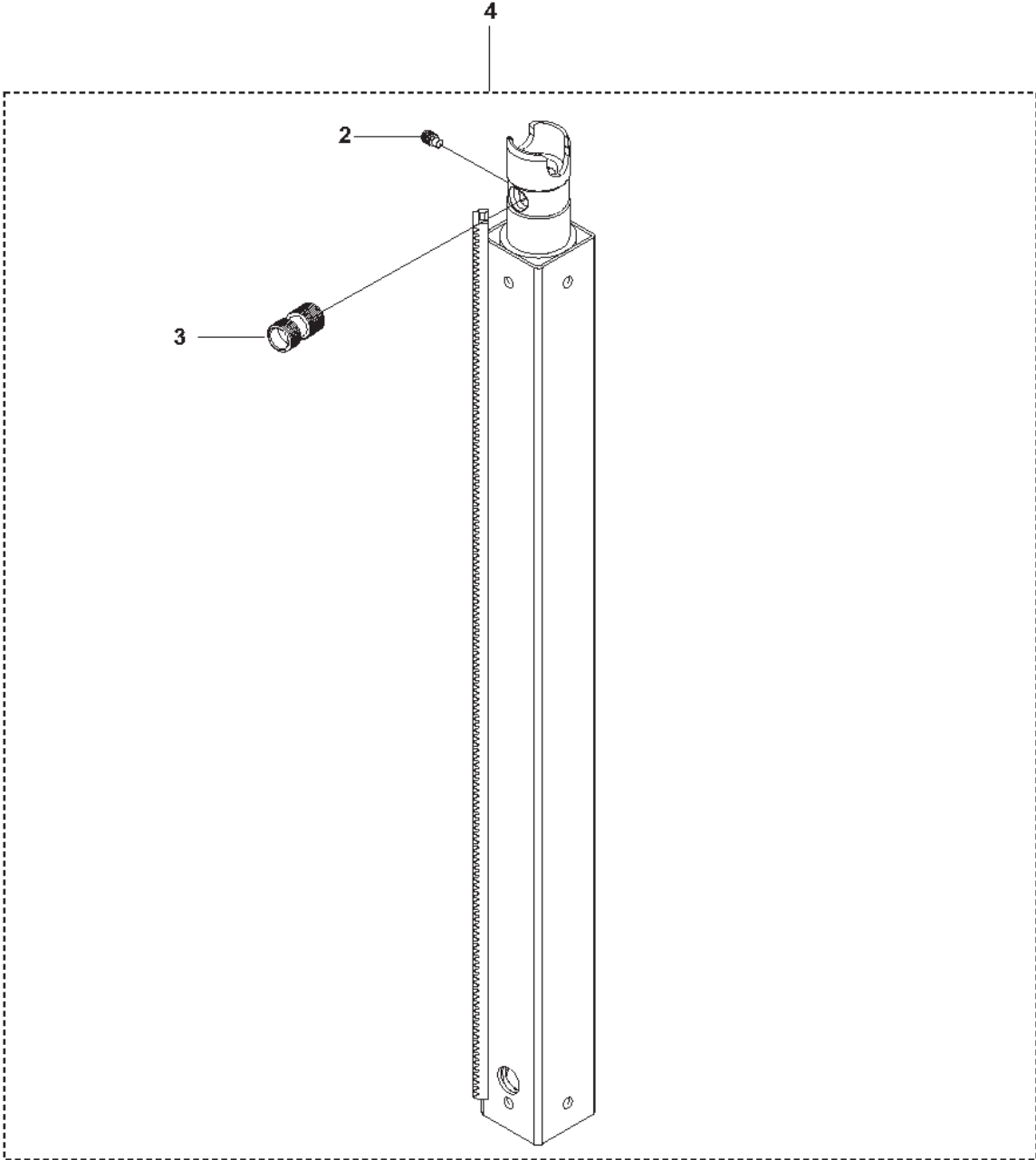
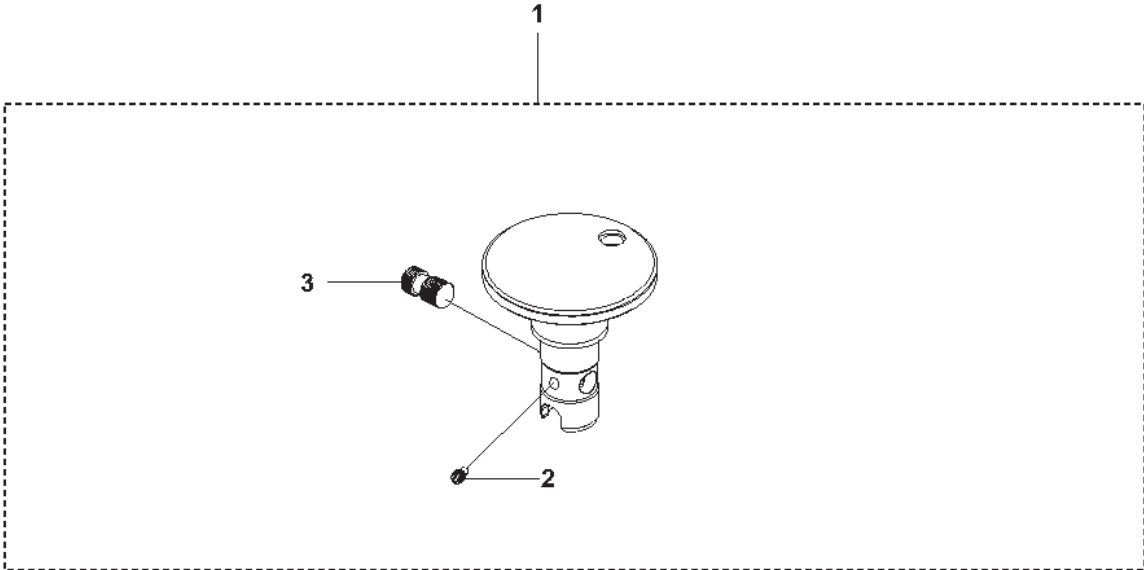
Ref	Part No	Description	Remark	QTY KIT
1	522 71 15-01	COLUMN	Incl 2-6	1
2	504 90 84-02	COLUMN		1
3	504 90 84-05	COLUMN		1
4	506 40 06-07	SCREW		1
5	531 14 06-44	NUT		1
6	506 40 06-05	SCREW		1

**A** DS70 GYRO



Ref	Part No	Description	Remark	QTY KIT
1	504 90 85-01	COLUMN	Incl 2-34	1
2	522 98 74-01	TUBE		1
3	522 94 89-01	FEED HANDLE	Incl 4-5	1
4	525 86 22-01	HANDLE		1
5	522 95 50-01	SCREW		1
6	531 14 06-14	NUT		1
7	522 98 28-01	FORK		1
8	522 98 27-01	WEAR WASHER		1
9	522 98 26-01	FEED HANDLE		1
10	522 85 55-01	SPRING		1
11	522 98 76-01	SCREW		1
12	522 98 68-01	AXLE		1
13	522 98 67-01	SLEEVE		2
14	531 14 06-11	SPACER		2
15	574 22 05-01	SPRINT		1
16	531 11 95-10	SCREW		2
17	522 98 69-01	BEARING BUSH		2
18	522 83 08-01	GEAR WHEEL SHAFT		1
19	574 36 13-01	WASHER		2
20	504 90 83-35	SHREDDER CASE		2
21	522 98 75-01	TUBE		1
22	522 99 90-01	COVER PLATE		1
23	522 99 84-01	DECAL		1
24	522 99 76-01	SCREW		4

**J** DS70 GYRO



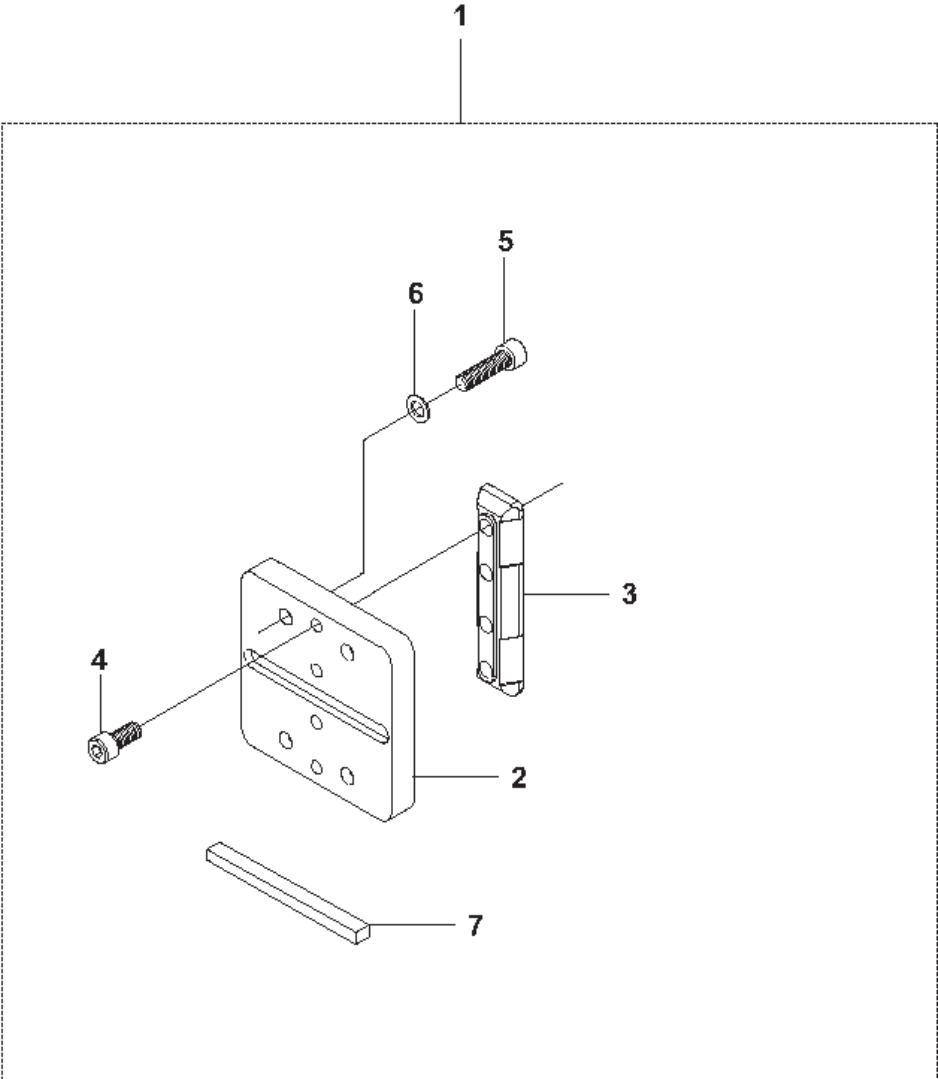


EXPANDABLE POLE

DS70 Gyro, 2009-26

Ref	Part No	Description	Remark	QTY KIT
1	504 90 89-01	PLATE	Incl. 2-3	1
2	525 86 28-01	SCREW		1
3	522 95 62-01	CLAMPING SCREW		1
4	504 90 85-76	COLUMN	Incl. 2-3	1

**G** DS70 GYRO

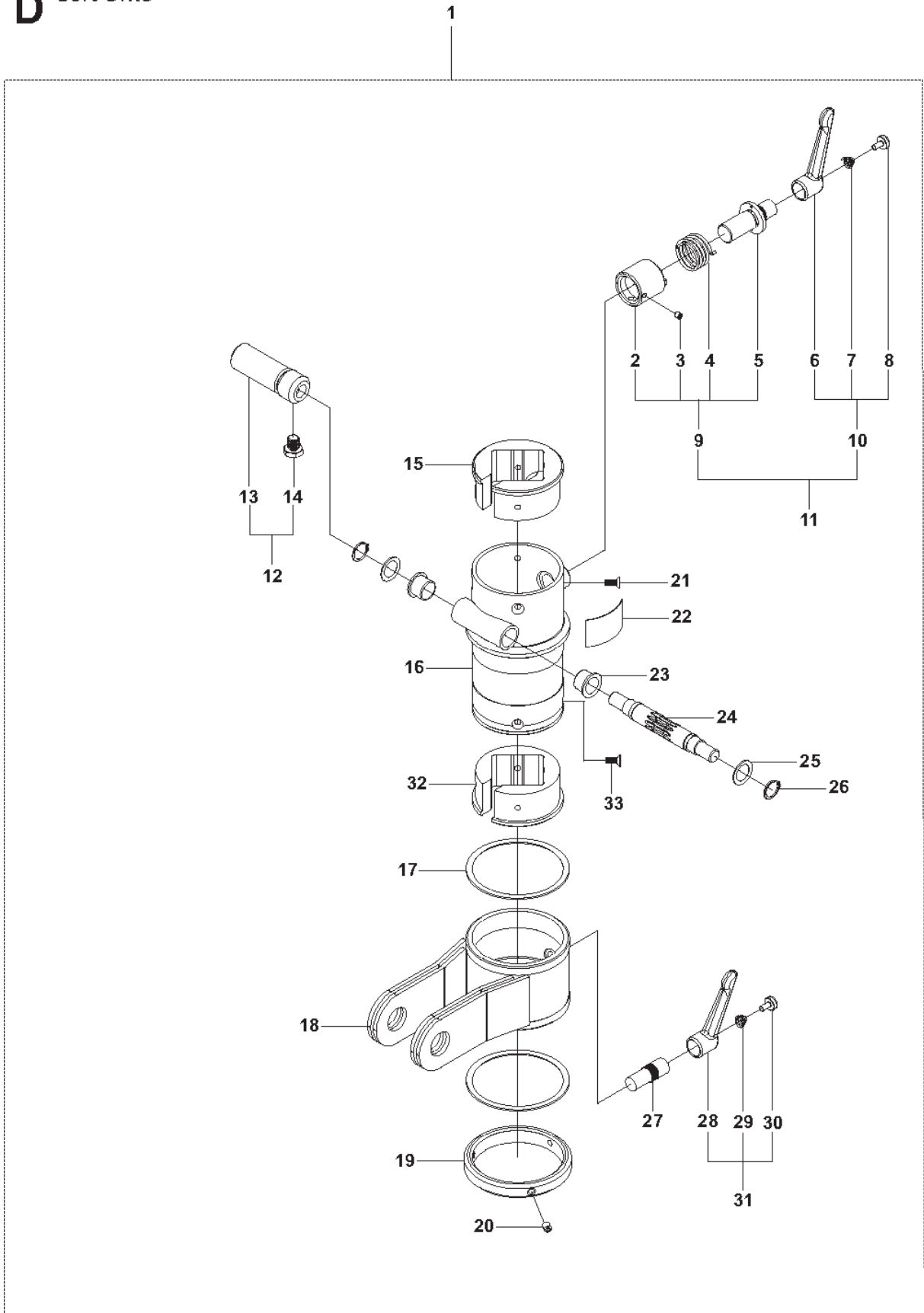


FRAME

DS70 Gyro, 2009-26

Ref	Part No	Description	Remark	QTY KIT
1	506 40 08-07	BRACKET	Incl. 2-6	1
2	504 71 92-01	BRACKET		1
3	504 90 83-33	SHREDDER CASE		1
4	504 69 63-01	SCREW		4
5	531 14 06-59	SCREW		4
6	531 14 07-12	WASHER		4
7	510 11 40-01	WEDGE		1

**D** DS70 GYRO

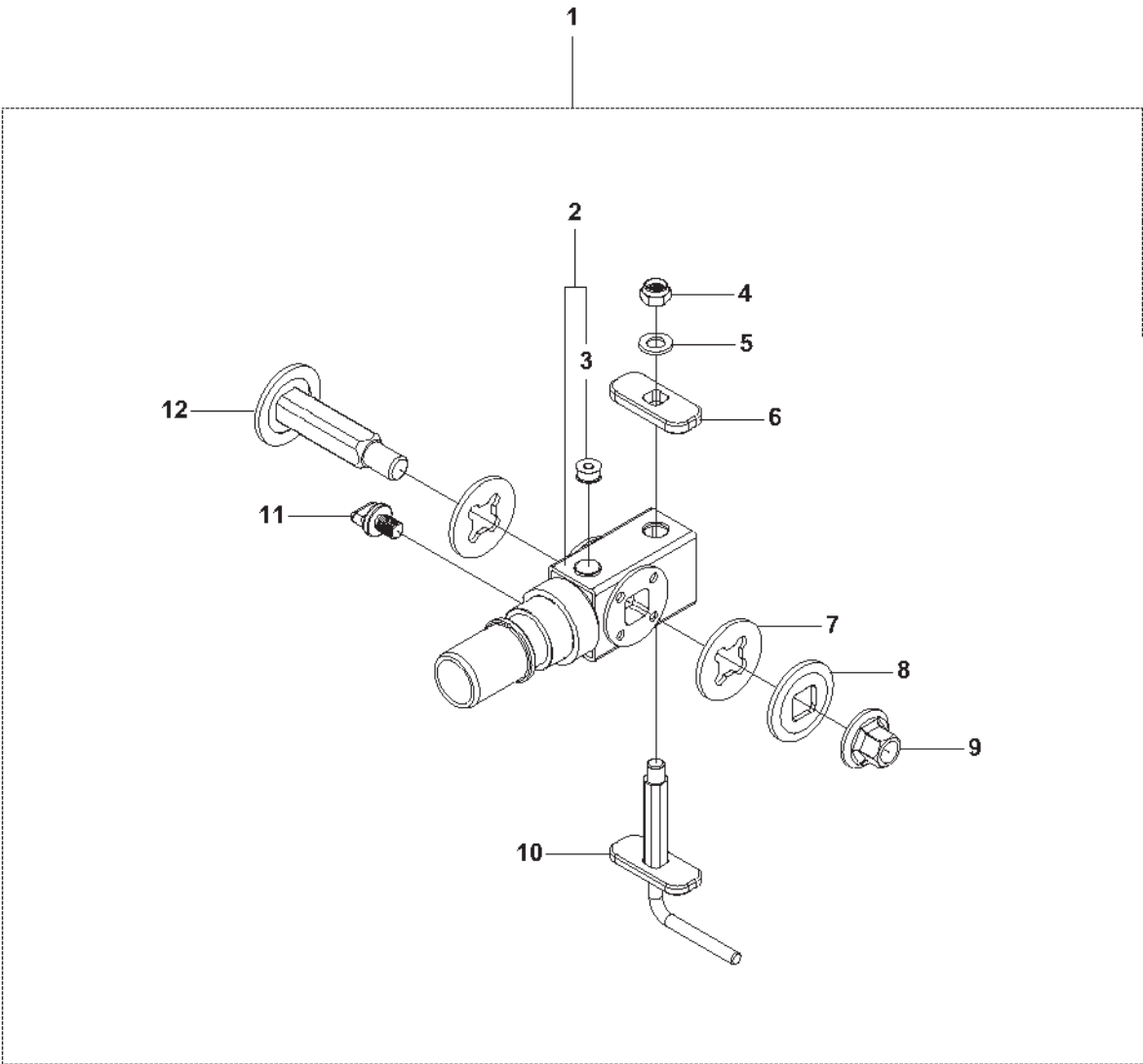


## GYRO UNIT 1

DS70 Gyro, 2009-26

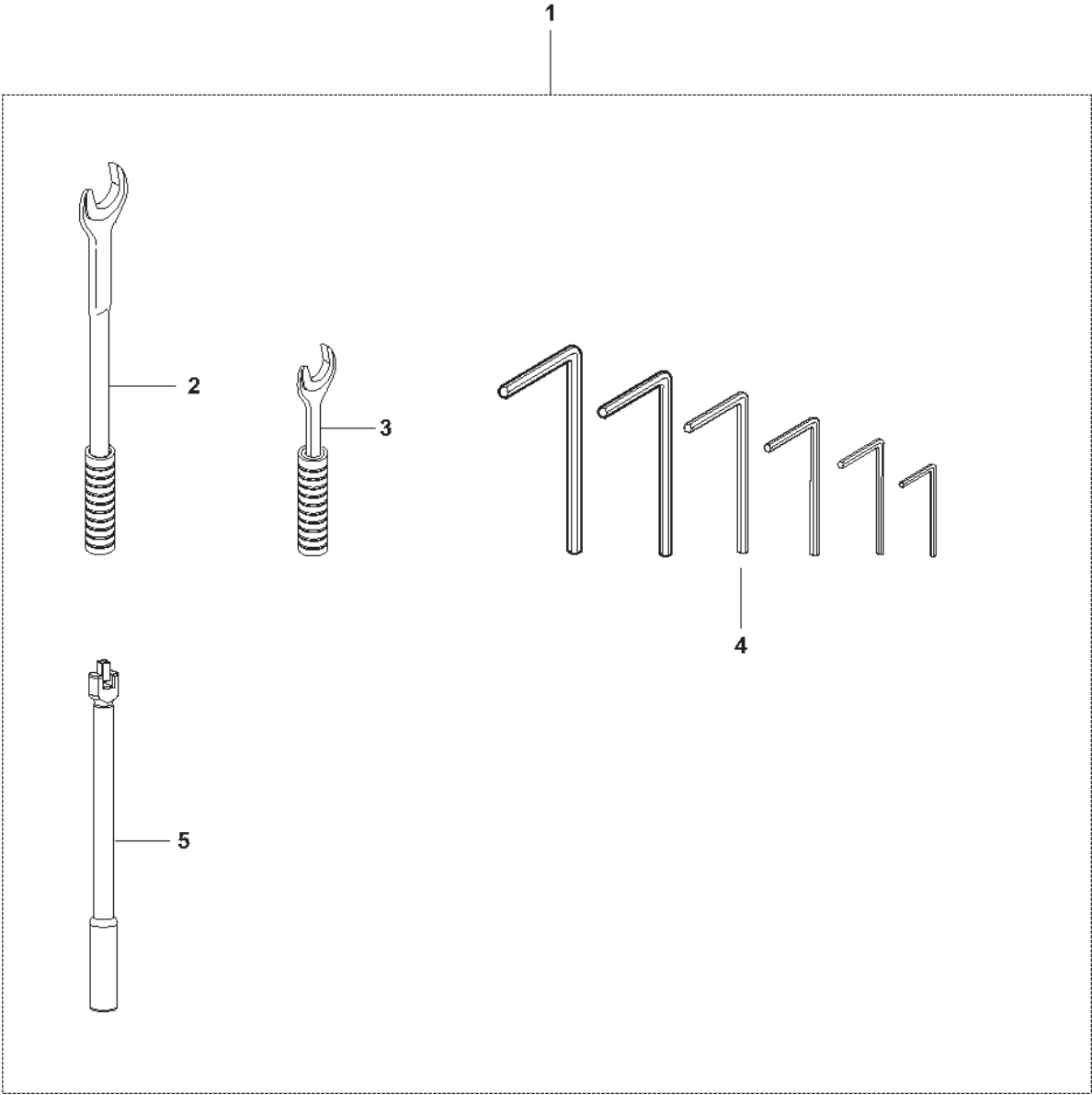
Ref	Part No	Description	Remark	QTY KIT
1	504 90 88-01	BRACKET GYRO	Incl. 2-37 and Page E	1
2	531 14 07-64	RETAINER		1
3	531 14 06-57	STOP SCREW		2
4	531 14 06-56	SPRING		1
5	531 14 07-63	RETAINER		1
6	504 01 81-02	HANDLE		1
7	501 38 47-02	SPRING		1
8	501 38 60-02	SCREW		1
9	506 40 78-01	SPRING RETAINER	Incl. 2-5	1
10	501 38 46-04	HANDLE	Incl. 6-8	1
11	506 40 77-14	KNOB	Incl. 9-10	1
12	522 94 89-01	FEED HANDLE	Incl. 13-14	1
13	525 86 22-01	HANDLE		1
14	522 95 50-01	SCREW		1
15	522 54 64-02	BUSHING		1
16	522 94 94-01	BRACKET GYRO		1
17	522 72 30-01	WASHER PLASTIC		2
18	522 94 91-01	RETAINER		1
19	522 63 72-01	LOCK RING		1
20	531 14 06-70	STOP SCREW		3
21	531 14 06-58	SCREW		4
22	544 12 85-01	LABEL		1
23	531 14 06-77	BEARING		2
24	522 86 94-01	GEAR WHEEL SHAFT		1
25	531 14 07-67	WASHER		2
26	531 14 07-66	FUSE		2
27	525 86 24-01	ADAPTER		1
28	504 01 81-02	HANDLE		1
29	501 38 47-02	SPRING		1
30	501 38 60-02	SCREW		1
31	501 38 46-04	HANDLE	Incl. 32-34	1
32	522 54 64-01	BUSHING		1
33	531 14 06-61	SCREW		4

**E** DS70 GYRO



Ref	Part No	Description	Remark	QTY KIT
1	504 90 88-01	BRACKET GYRO	Incl. 2-11 and Page D	1
2	522 86 25-01	OIL PLUG	Incl. 3	1
3	531 14 08-97	AKRYLLIBELL LITEN		2
4	531 14 06-00	NUT		1
5	531 14 07-22	WASHER		1
6	522 82 21-01	WASHER		1
7	522 94 97-01	PRESSURE WASHER		2
8	522 82 22-01	WASHER		1
9	522 85 27-01	NUT		1
10	522 85 28-01	LOCKING HANDLE		1
11	504 90 91-05	FOOT PLATE		1
12	522 89 97-01	SHAFT PIVOT		1

**K** DS70 GYRO





## TOOLS

DS70 Gyro, 2009-26

Ref	Part No	Description	Remark	QTY KIT
1	525 86 29-01	TOOL KIT	Incl. 2-6	1
2	544 22 27-01	SPANNER		1
3	544 22 27-02	SPANNER		1
4	574 22 05-01	SPRINT		1
5	574 20 42-01	HANDLE		1