

DC 5500

Reservdelar

Spare parts

Ersatzteile

Pieces de rechange

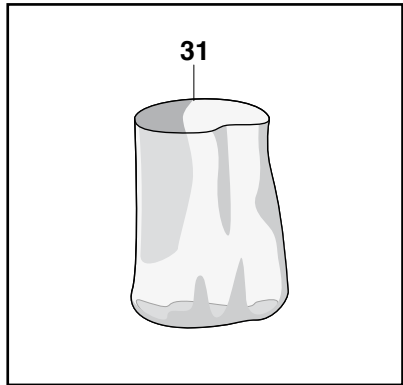
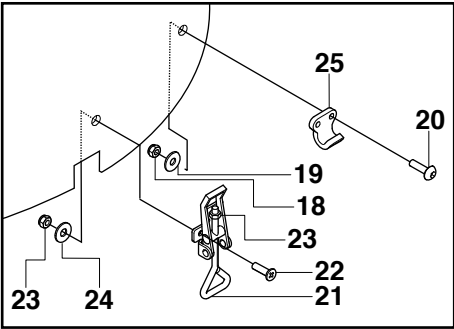
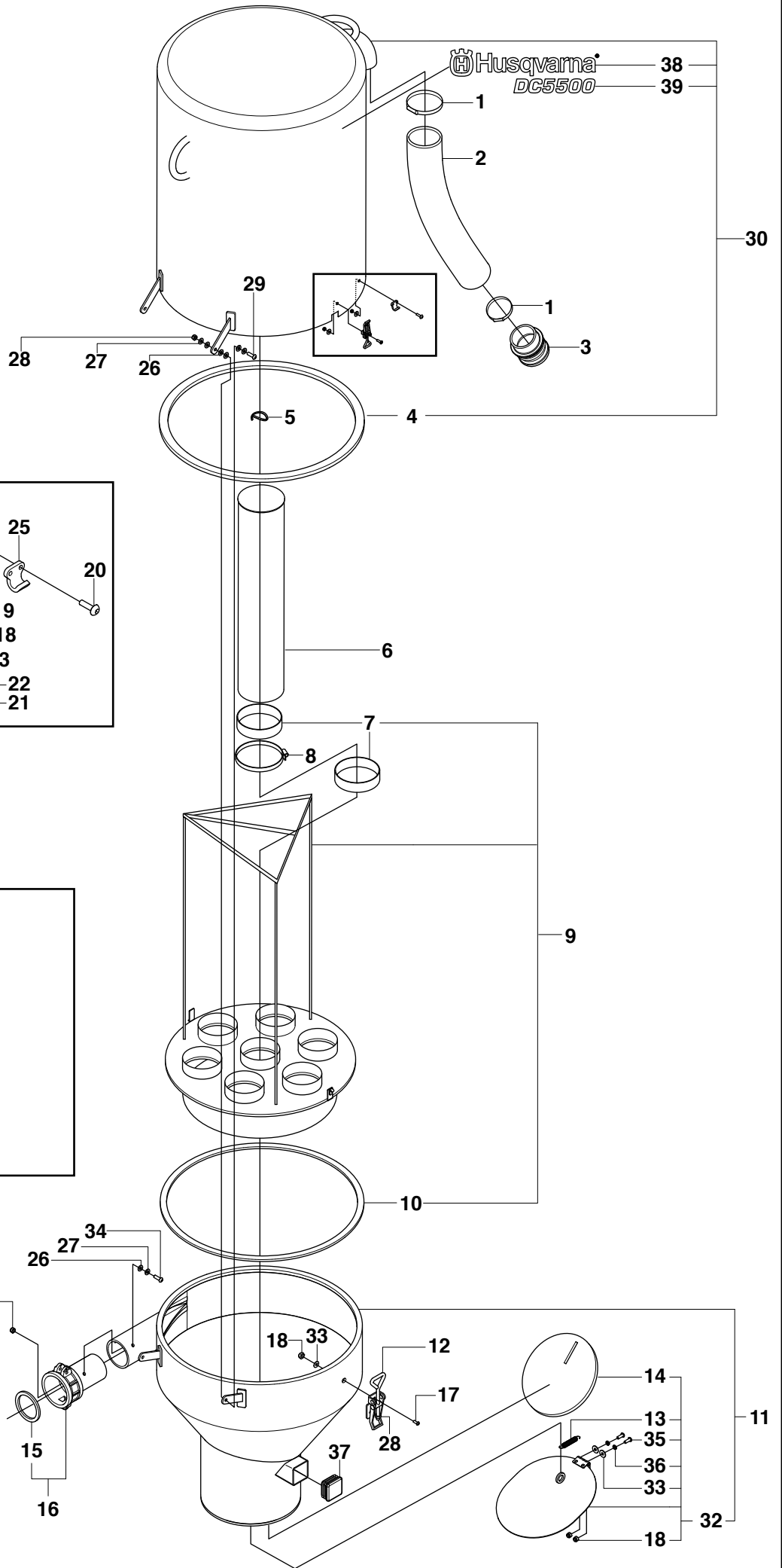
Piezas de repuesto

Ricambi

Peças sobresselente

No.	Pos.	Description	No.	Pos.	Description
502 53 40-05	AC1	CUSHION RING	575 31 55-02	C2	EXTENSION LEAD, UL
502 54 40-01	C2	PLUG MALE, AU	575 31 57-01	C2	COVER LID
502 54 50-01	B	WHEEL	575 31 60-01	C2	ELECTRIC BOX
502 56 83-01	AC1	SEAL	575 33 80-01	C2	MOTOR CABLE, CE
502 56 84-04	A	SPRING	575 33 80-02	C2	MOTOR CABLE, UL
502 56 84-05	A	SEAL	575 43 89-01	C2	FAN COVER
502 56 87-01	AC2	SEAL	575 43 90-01	C2	MOTOR FAN
502 56 88-04	C1	THREADED ROD	575 43 91-01	C2	TERMINAL BLOCK
502 56 89-01	B	CHASSIS	724 12 87-51	C2	SCREW
502 56 91-01	B	CASTOR WHEEL	724 12 91-51	C2	SCREW
502 56 93-01	A	PRIMARY FILTER	724 12 93-51	C2	SCREW
502 56 93-03	A	CLAMP	724 33 29-51	AC1	SCREW
502 56 94-01	A	SEAL KIT	724 33 70-51	A	SCREW
502 56 95-01	C1	FILTER	725 24 93-76	BC2	SCREW
502 56 96-03	A	KAMLOCK	725 25 42-71	B	SCREW
502 56 96-04	AC1	KAMLOCK	725 25 46-51	C1	SCREW
502 56 96-05	AC1	HOSE CLAMP	725 25 58-51	B	SCREW
502 57 00-02	A	LATCH	731 23 18-01	C1	NUT
502 57 00-03	AC1	LATCH	732 25 12-01	C2	NUT
502 57 00-04	A	HOOK	732 25 14-01	AC1	NUT
502 57 01-01	A	PLASTIC BAG	732 25 16-01	AC2	NUT
502 57 02-01	B	STRAP	732 25 18-01	AC1	NUT
504 73 18-01	C1	ELBOW	732 25 20-01	BC2	NUT
504 73 20-01	C1	PIPE	732 25 22-01	BC1	NUT
504 73 20-04	C1	SLEEVE	734 11 36-01	C2	WASHER
504 73 20-05	C1	BAFFLE	734 11 47-41	AC1	WASHER
504 73 99-01	C2	CLAMP	734 11 52-01	AC2	WASHER
504 75 02-01	AC1	SCREW	734 11 54-41	AC2	WASHER
504 75 14-01	B	WASHER	734 11 63-01	AC1	WASHER
504 75 31-01	B	CAP	734 11 63-60	AC1	WASHER
504 75 90-01	A	SCREW	734 11 72-01	BC2	WASHER
504 75 91-01	C2	SCREW	734 11 78-01	BC1	WASHER
504 75 97-01	AB	CAP	734 11 78-60	B	WASHER
504 76 05-02	C2	WIRING SET	735 11 53-01	AC2	SPRING WASHER
504 76 05-03	C2	INTERLOCK	735 31 26-00	B	CIRCLIP
504 76 09-01	C2	DECAL			
504 76 20-01	C1	WASHER			
504 76 26-01	C2	CONNECTOR FEMALE			
510 43 18-02	C2	NUT			
515 98 37-01	A	HOSING			
515 98 38-01	A	FILTER HOUSING			
515 98 39-01	A	FILTER RACK			
515 98 41-01	C1	BUSHING			
515 98 42-01	C1	HOSING			
515 98 59-01	C2	POWER CABLE, CE			
515 98 59-02	C2	POWER CABLE, UL			
516 06 06-01	C2	CONNECTOR HOUSING			
516 06 18-01	C2	GLAND BUSHING			
522 86 89-02	C2	COVER PLATE			
522 89 74-01	C2	CONTACTOR			
522 89 75-01	C2	RELAY			
522 89 76-01	C2	RELAY			
522 89 77-01	C2	TERMINAL BLOCK			
522 89 78-01	C2	SWITCH			
525 48 86-01	A	MODEL NAME DECAL			
525 48 88-02	A	HUSQVARNA DECAL			
525 57 03-02	C2	GLAND BUSHING			
525 83 71-01	C2	DIN RAIL			
531 11 71-36	C2	PLUG MALE, EU			
541 40 48-15	A	SCREW			
541 40 51-78	AC2	SCREW			
543 85 00-17	A	CABLE TIE			
574 62 03-01	A	DUST FLAP			
575 29 75-01	A	CONE			
575 29 76-01	C1	FILTER HOUSING			
575 29 77-01	C1	MOTOR			
575 31 54-01	C2	COMP. ELECTRIC BOX, AU			
575 31 54-02	C2	COMP. ELECTRIC BOX, EU			
575 31 54-03	C2	COMP. ELECTRIC BOX, US			
575 31 55-01	C2	EXTENSION LEAD, CE			

A DC5500



Husqvarna
DC5500

38
39

30

29

28

27

26

5

4

1

3

6

7

8

9

10

28

26

27

34

15

16

18

33

12

17

37

28

14

13

35

36

33

18

11

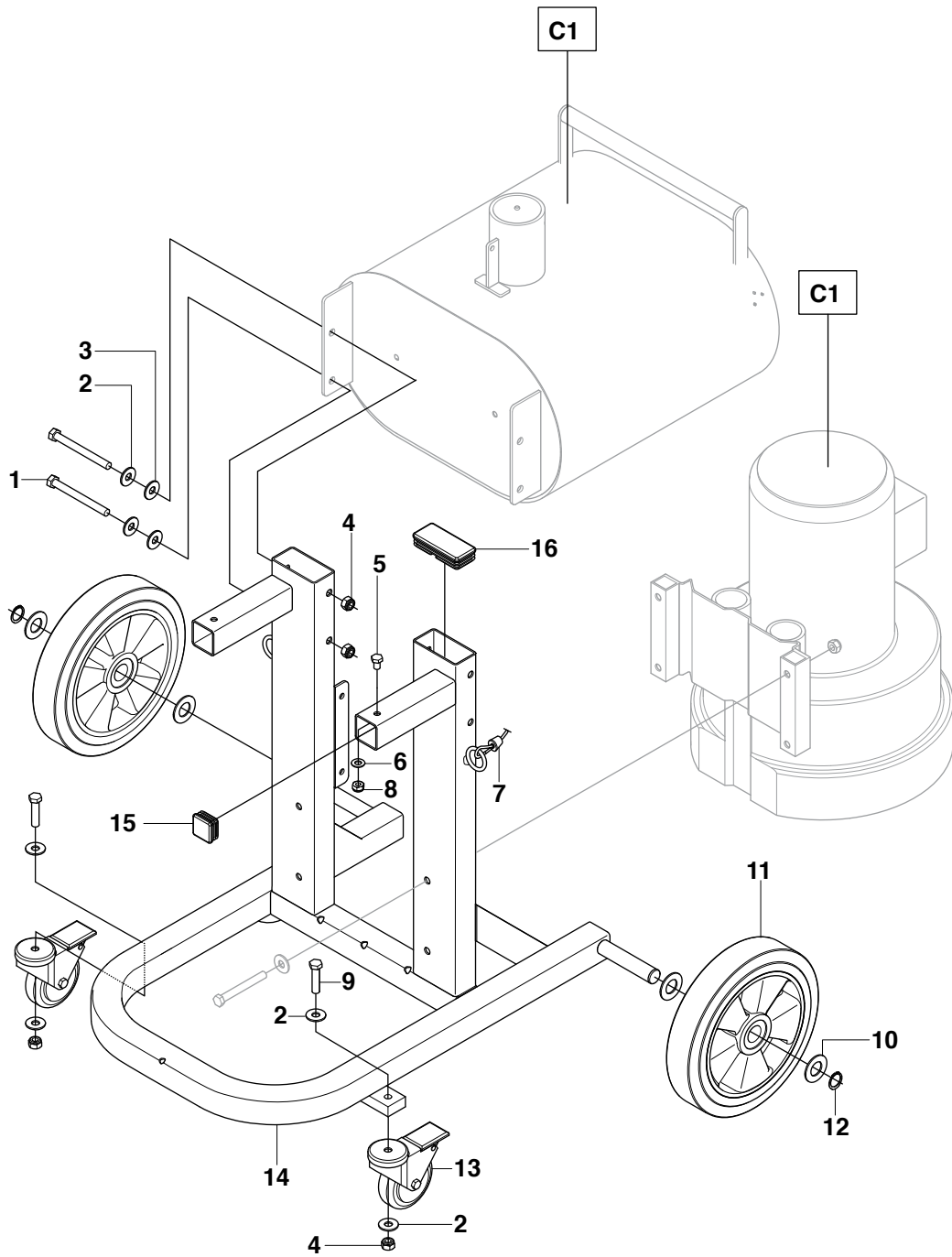
32

DC5500

Page A

Pos.	Part No.	Description	Quantity	Notes
1	502 56 96-05	HOSE CLAMP	2	
2	515 98 37-01	HOSING	1	
3	502 56 96-03	KAMLOCK	1	
4	502 56 83-01	SEAL	1	30
5	543 85 00-17	CABLE TIE	7	
6	502 56 93-01	PRIMARY FILTER	7	
7	502 56 94-01	SEAL KIT	1	INCLUDES 7 ITEMS
8	502 56 93-03	CLAMP	7	
9	515 98 39-01	FILTER RACK	1	
10	502 56 87-01	SEAL	1	9
11	575 29 75-01	CONE	1	
12	502 57 00-02	LATCH	2	
13	502 56 84-04	SPRING	1	11,32
14	502 56 84-05	SEAL	1	11,32
15	502 53 40-05	CUSHION RING	1	16
16	502 56 96-04	KAMLOCK	1	
17	724 33 70-51	SCREW	4	
18	732 25 16-01	NUT	10	11,32
19	734 11 52-01	WASHER	4	
20	504 75 90-01	SCREW	4	
21	502 57 00-03	LATCH	2	
22	724 33 29-51	SCREW	4	
23	732 25 14-01	NUT	6	
24	734 11 47-41	WASHER	4	
25	502 57 00-04	HOOK	2	
26	734 11 63-60	WASHER	8	
27	734 11 63-01	WASHER	6	
28	732 25 18-01	NUT	6	
29	541 40 48-15	SCREW	2	
30	515 98 38-01	FILTER HOUSING	1	
31	502 57 01-01	PLASTIC BAG	1	INCLUDES 200 ITEMS
32	574 62 03-01	DUST FLAP	1	
33	734 11 54-41	WASHER	6	11,32
34	504 75 02-01	SCREW	2	
35	541 40 51-78	SCREW	2	11,32
36	735 11 53-01	SPRING WASHER	2	11,32
37	504 75 97-01	CAP	2	
38	525 48 88-02	HUSQVARNA DECAL	2	30
39	525 48 86-01	MODEL NAME DECAL	2	30

B DC5500

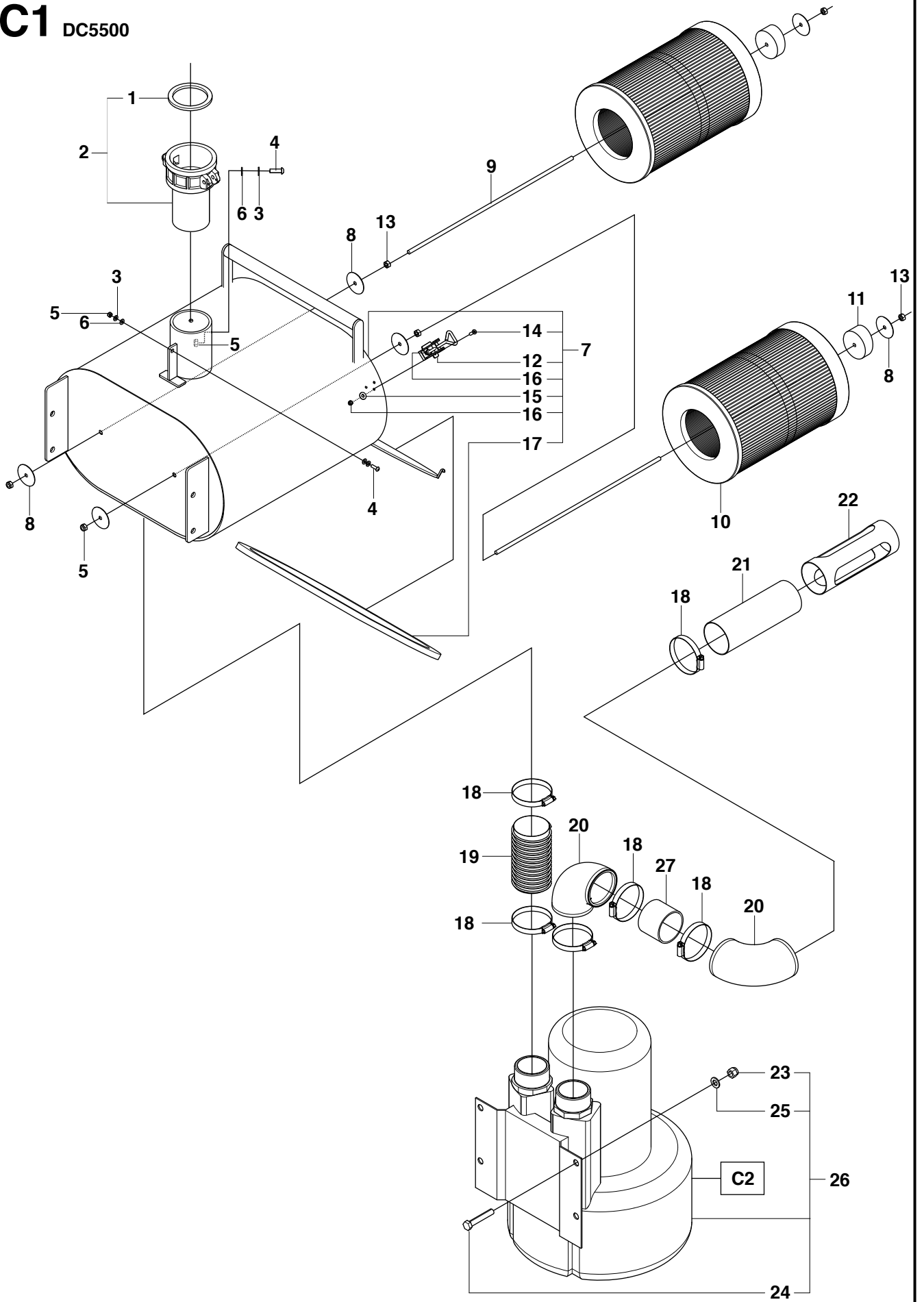


DC5500

Page B

Pos.	Part No.	Description	Quantity	Notes
1	725 25 58-51	SCREW	4	
2	734 11 78-01	WASHER	8	
3	734 11 78-60	WASHER	4	
4	732 25 22-01	NUT	6	
5	725 24 93-76	SCREW	2	
6	734 11 72-01	WASHER	2	
7	502 57 02-01	STRAP	1	
8	732 25 20-01	NUT	2	
9	725 25 42-71	SCREW	2	
10	504 75 14-01	WASHER	4	
11	502 54 50-01	WHEEL	2	
12	735 31 26-00	CIRCLIP	2	
13	502 56 91-01	CASTOR WHEEL	2	
14	502 56 89-01	CHASSIS	1	
15	504 75 97-01	CAP	2	
16	504 75 31-01	CAP	2	

C1 DC5500

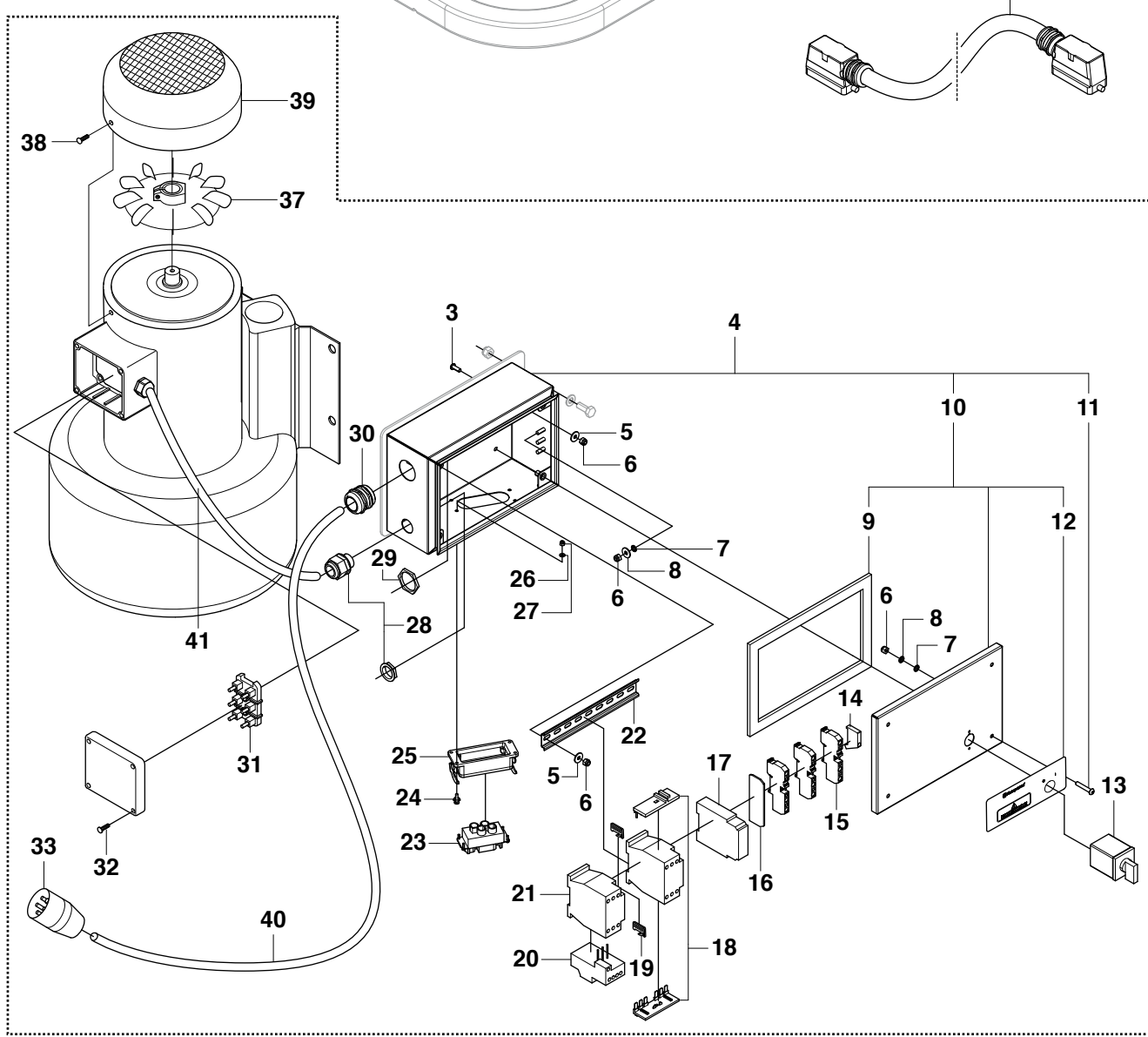
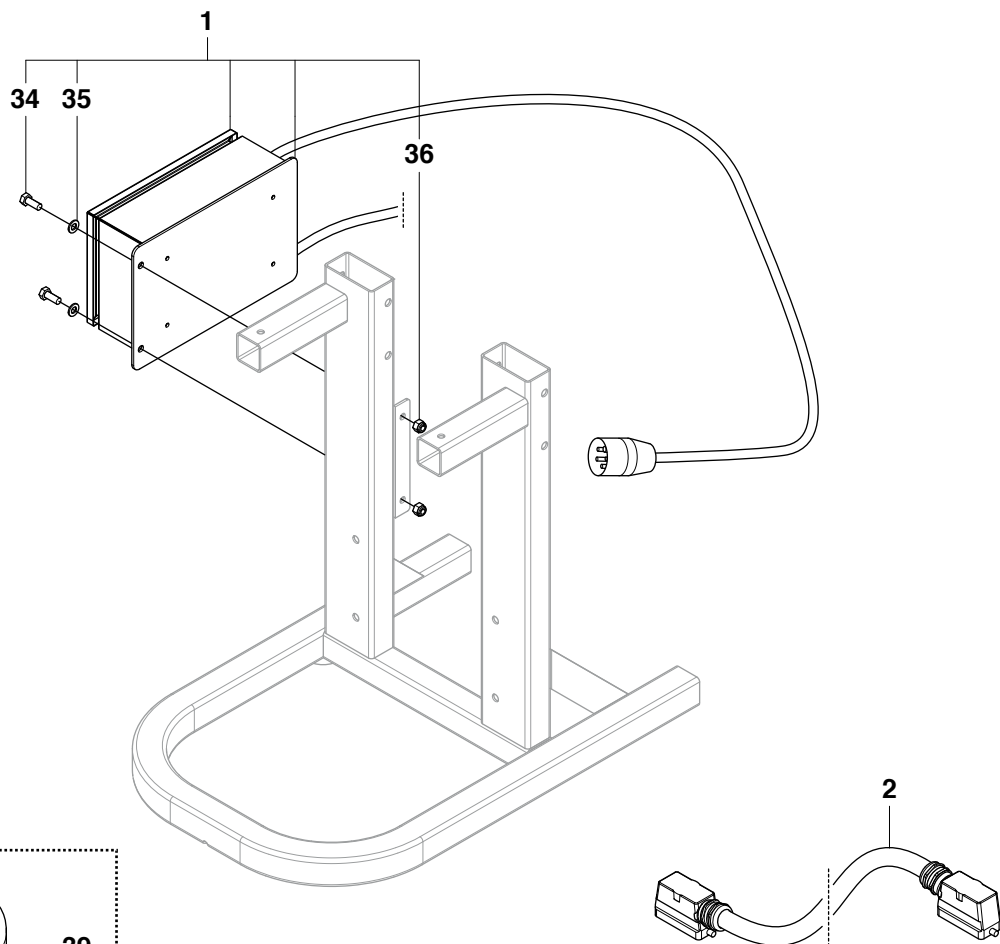


DC5500

Page C1

Pos.	Part No.	Description	Quantity	Notes
1	502 53 40-05	CUSHION RING	1	2
2	502 56 96-04	KAMLOCK	1	
3	734 11 63-01	WASHER	4	
4	504 75 02-01	SCREW	3	
5	732 25 18-01	NUT	5	
6	734 11 63-60	WASHER	4	
7	575 29 76-01	FILTER HOUSING	1	
8	504 76 20-01	WASHER	6	
9	502 56 88-04	THREADED ROD	2	
10	502 56 95-01	FILTER	2	
11	515 98 41-01	BUSHING	2	
12	502 57 00-03	LATCH	2	7
13	731 23 18-01	NUT	4	
14	724 33 29-51	SCREW	4	7
15	734 11 47-41	WASHER	4	7
16	732 25 14-01	NUT	6	7
17	502 56 83-01	SEAL	1	7
18	502 56 96-05	HOSE CLAMP	6	
19	515 98 42-01	HOSING	1	
20	504 73 18-01	ELBOW	2	
21	504 73 20-05	BAFFLE	1	
22	504 73 20-01	PIPE	1	
23	732 25 22-01	NUT	4	
24	725 25 46-51	SCREW	4	
25	734 11 78-01	WASHER	4	
26	575 29 77-01	MOTOR	1	
27	504 73 20-04	SLEEVE	1	

C2 DC5500



Pos.	Part No.	Description	Quantity	Notes
1a	575 31 54-01	COMP. ELECTRIC BOX, AU	1	
1b	575 31 54-02	COMP. ELECTRIC BOX, EU	1	
1c	575 31 54-03	COMP. ELECTRIC BOX, US	1	
2a	575 31 55-01	EXTENSION LEAD, CE	1	
2b	575 31 55-02	EXTENSION LEAD, UL	1	
3	541 40 51-78	SCREW	4	
4	575 31 60-01	ELECTRIC BOX	1	
5	734 11 54-41	WASHER	6	
6	732 25 16-01	NUT	11	
7	735 21 53-01	WASHER	5	
8	734 11 52-01	WASHER	5	
9	502 56 87-01	SEAL	1	4,10
10	575 31 57-01	COVER LID	1	4
11	504 75 91-01	SCREW	4	4
12	504 76 09-01	DECAL	1	4,10
13	522 89 78-01	SWITCH	1	
14	504 73 99-01	CLAMP	1	
15	522 89 77-01	TERMINAL BLOCK	3	
16	522 86 89-02	COVER PLATE	1	
17	522 89 76-01	RELAY	1	
18	504 76 05-02	WIRING SET	1	
19	504 76 05-03	INTERLOCK	1	
20	522 89 75-01	RELAY	1	
21	522 89 74-01	CONTACTOR	2	
22	525 83 71-01	DIN RAIL	1	
23	504 76 26-01	CONNECTOR FEMALE	1	
24	724 12 93-51	SCREW	4	
25	516 06 06-01	CONNECTOR HOUSING	1	
26	734 11 36-01	WASHER	4	
27	732 25 12-01	NUT	4	
28	516 06 18-01	GLAND BUSHING	1	
29	510 43 18-02	NUT	1	
30	525 57 03-02	GLAND BUSHING	1	
31	575 43 91-01	TERMINAL BLOCK	1	
32	724 12 91-51	SCREW	4	
33a	531 11 71-36	PLUG MALE, EU	1	
33b	502 54 40-01	PLUG MALE, AU	1	
34	725 24 93-76	SCREW	2	1
35	734 11 72-01	WASHER	2	1
36	732 25 20-01	NUT	2	1
37	575 43 90-01	MOTOR FAN	1	
38	724 12 87-51	SCREW	4	
39	575 43 89-01	FAN COVER	1	
40a	515 98 59-01	POWER CABLE, CE	1	
40b	515 98 59-02	POWER CABLE, UL	1	
41a	575 33 80-01	MOTOR CABLE, CE	1	
41b	575 33 80-02	MOTOR CABLE, UL	1	