

PG280SF

Reservdelar

Spare parts

Ersatzteile

Pieces de rechange

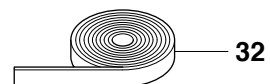
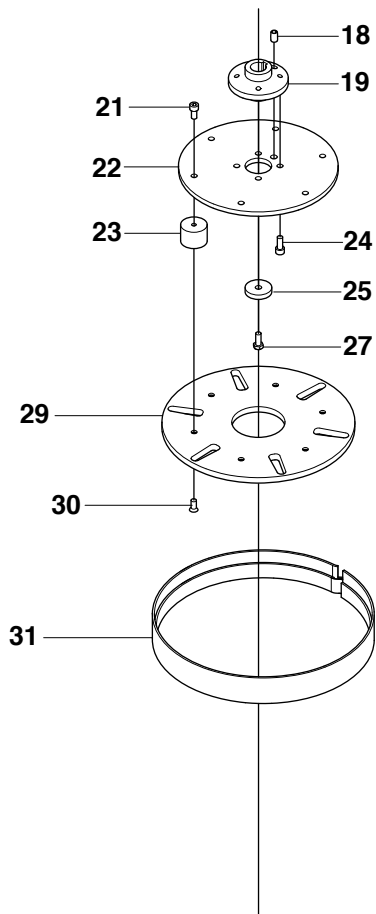
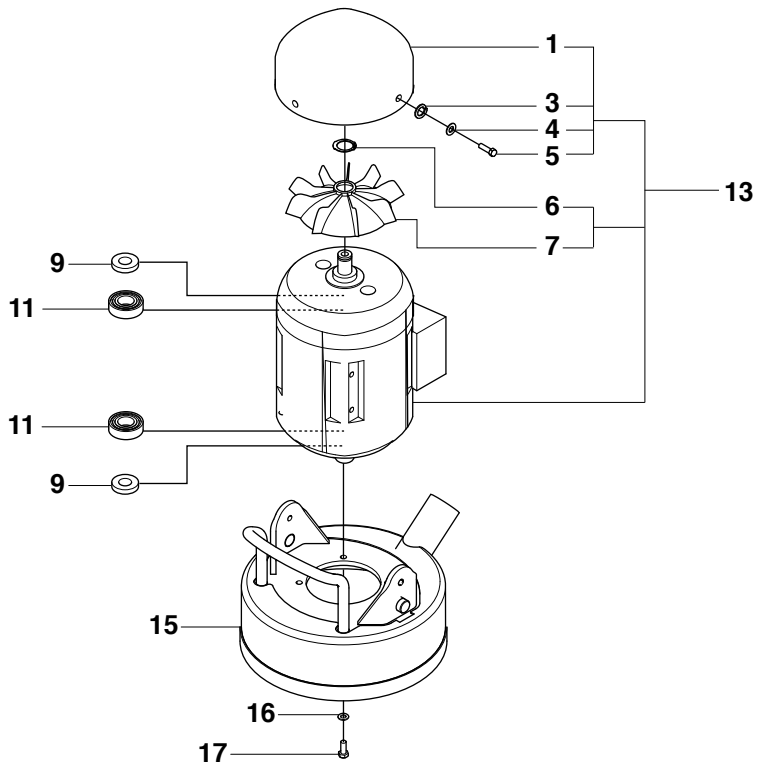
Piezas de repuesto

Ricambi

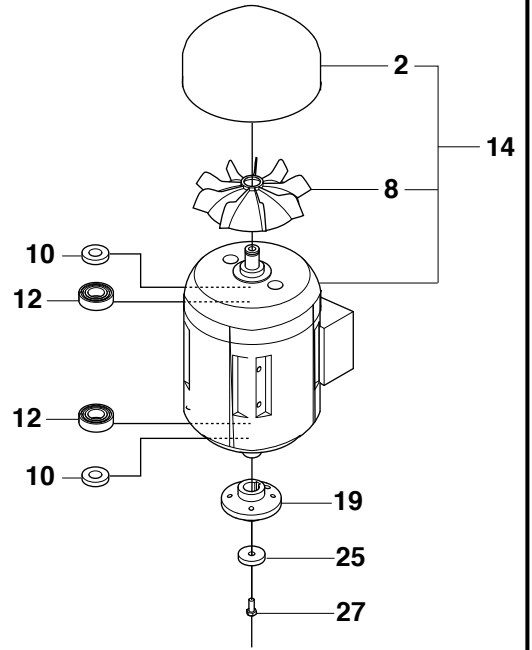
Peças sobresselente

No.	Pos.	Description	No.	Pos.	Description
504 18 55-01	B	Wheel	525 55 51-01	A	Velcro
510 20 84-02	A	Motor kit, 3ph	525 63 80-01	E2	Fuse holder
510 21 30-01	A	Attachment plate	525 63 81-01	E1 E2	Fuse
510 21 31-01	A	Rubber damper	525 63 82-01	E1	E-box
510 21 33-01	A	Hub, 3ph	525 63 82-02	E2	E-box
510 21 57-01	B	Locking pin	525 84 19-01	E2	Cable, incl plug, CH
510 21 59-01	C	Arm, left	525 84 19-02	E2	Cable, incl plug, Australia
510 21 60-01	C	Arm, right	525 84 19-03	E2	Cable, incl plug, EU
510 21 68-01	B	Adjusting screw	525 88 26-01	E1	Fuse holder
510 21 75-01	B	Bushing	529 31 61 -01	E1	Cable, incl plug
510 21 77-01	B	Shaft pivot	531 11 95-36	E2	Allen key
510 22 68-01	C	Fork, left	574 27 20-01	A	Rubber skirt
510 22 69-01	C	Fork, right	574 52 41-01	E1	Adapter, Australia
510 22 70-01	C	Hose clip	574 55 55-01	C	Kit, counterweight
510 22 78-01	C	Rubber damper	574 56 69-01	B	Chassis
510 22 81-01	D	Cover	574 56 89-01	B	Kit, adjusting screw handle
510 22 82-01	C	Locking handle	574 70 31-01	A	Motor bracket
510 22 84-01	C	Screw	574 70 32-01	B	Bearing
510 22 88-01	C	Frame, handle	721 44 09-01	A	Pin
510 22 93-01	C	Bracket, handle	721 62 16-01	B	Cotter pin
510 22 94-01	C	Handle, incl hose	724 12 87-51	E2	Washer
510 22 96-01	C	Spacer, handle	724 12 91-51	E2	Screw
510 23 51-01	A	Washer, 3ph	725 23 25-77	A	Screw, 3ph
510 24 48-01	C	Locking handle	725 23 29-71	E1	Screw
510 36 15-01	C	Screw	725 23 37-71	E1	Screw
510 36 16-01	C	Screw	725 23 64-71	E1 E2	Screw
510 43 08-01	E1	Contactator	725 23 66-71	E1	Screw
510 43 09-01	E2	Contactator	725 24 49-71	C	Screw
510 43 11-01	E1 E2	Push button, red	725 24 93-76	B	Washer
510 43 12-01	E1 E2	Push button, green	725 24 95-71	A	Screw, 3ph
510 43 13-01	E1 E2	Emergency stop button	725 25 00-81	C	Screw
510 43 14-01	E1 E2	Contact plate	725 25 11-51	C	Screw
510 43 15-01	E1 E2	Contact plate	725 52 93-01	E1 E2	Screw
510 43 16-01	E1 E2	Warning sign	725 53 25-01	E1 E2	Screw
510 43 17-01	E1 E2	Strain reliever	725 53 64-55	E1 E2	Screw
510 43 18-01	E1 E2	Nut, counternut	725 53 68-51	B	Screw
510 43 30-01	E1 E2	Sign holder	725 54 51-55	A	Screw
510 43 31-01	E1 E2	Stop sign	725 54 55-01	A	Screw.
510 43 32-01	E1 E2	Start sign	725 55 00-55	C	Screw
510 43 33-01	E2	Capacitor	725 64 47-55	A	Screw
510 43 34-01	E2	Terminal block	725 64 49-55	A	Screw
510 43 41-01	E2	Overload protection	725 64 93-55	C	Screw
510 43 42-01	E1	Overload protection	725 64 93-76	B	Screw
510 43 48-01	E1 E2	LED	731 23 12-01	E2	Nut
510 43 49-01	E2	Timer	731 23 14-01	E1	Nut
510 43 50-02	A	Motor kit, 1ph	731 23 16-01	E1 E2	Nut
516 06 21-01	E1 E2	Lock	732 25 12-01	E1 E2	Nut
516 06 23-01	E1	Resistor	732 25 14-01	E1 E2	Nut
516 06 24-01	E1 E2	Sheet	732 25 20-01	C	Nut
516 06 29-01	E1	Washer	734 11 36-01	E1 E2	Washer
516 06 30-01	E1	Lid	734 11 52-01	E1 E2	Washer
516 06 31-01	E1	Connection plate	734 11 63-01	A	Washer
516 06 33-01	E1	Terminal block	734 11 72-01	B C	Washer
521 88 48-01	E1	Box	735 21 36-01	E2	Washer
521 88 50-01	E1	Cable grommet	735 21 53-01	E1 E2	Washer
521 88 80-01	E2	Screw	735 31 28-00	A	Circlip, 3ph
521 88 81-01	E2	Lid	738 22 05-29	A	Bearing, 1ph
521 88 82-01	E2	Connection plate	738 22 06-29	A	Bearing, 3ph
521 88 83-01	E2	Terminal block	740 68 14-21	A	V-ring sealing, 1ph
521 88 84-01	E2	Screw	740 68 16-21	A	V-ring sealing, 3ph
521 88 85-01	E2	Box			
521 88 86-01	E2	Cable grommet			
522 46 40-01	A	Lock washer, 3ph			
522 46 42-01	A	Washer, 3ph			
522 48 67-01	A	Cover, fan, 3ph			
522 48 68-01	A	Cover, fan, 1ph			
522 48 70-01	A	Fan, 3ph			
522 48 71-01	A	Fan, 1ph			
522 48 72-01	C	Spacer, counterweight			
522 67 73-01	A	Holder disc			

A 3-Phase

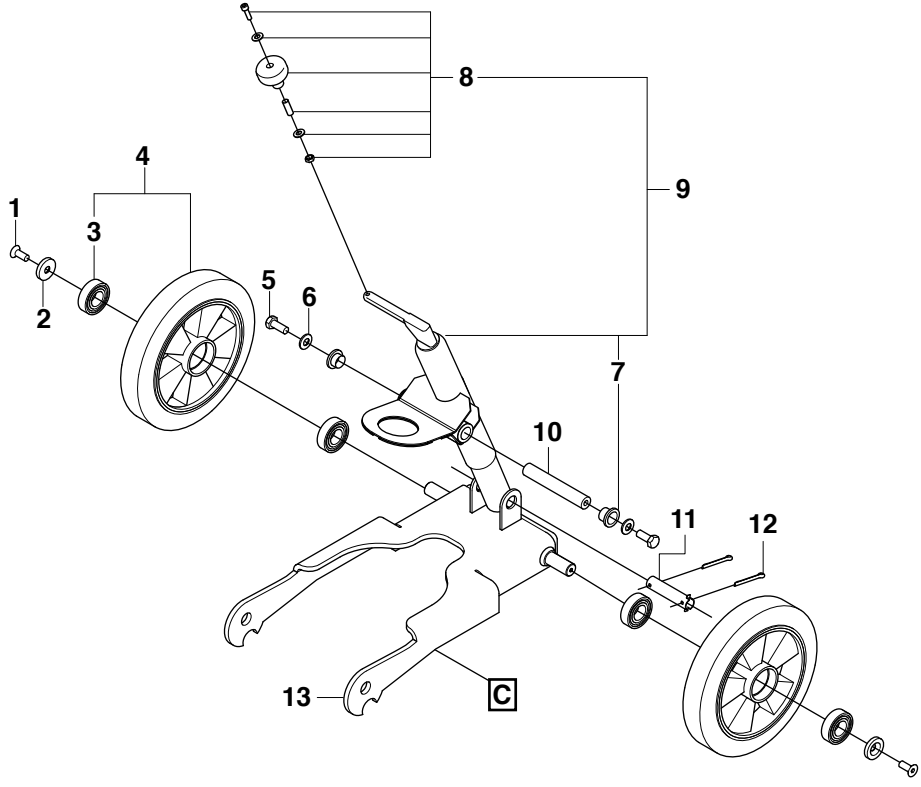


Single Phase



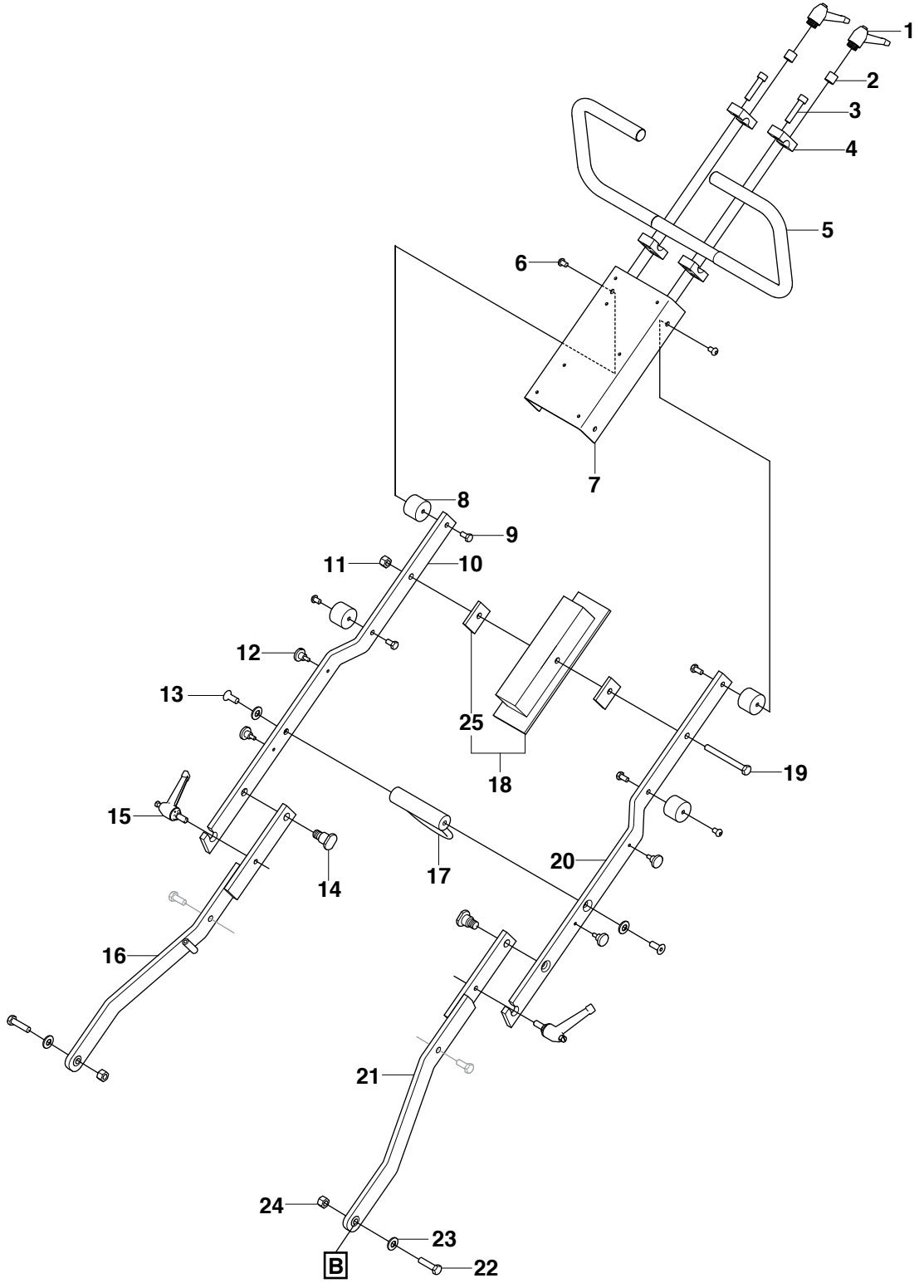
Position #	Article #	Quantity	Name	Kit
1	522 48 67-01	1	Cover, fan, 3ph	13
2	522 48 68-01	1	Cover, fan, 1ph	14
3	522 46 40-01	4	Lock washer, 3ph	13
4	522 46 42-01	4	Washer, 3ph	13
5	725 23 25-77	4	Screw, 3ph	13
6	735 31 28-00	1	Circlip, 3ph	13
7	522 48 70-01	1	Fan, 3ph	13
8	522 48 71-01	1	Fan, 1ph	14
9	740 68 16-21	2	V-ring sealing, 3ph	13
10	740 68 14-21	2	V-ring sealing, 1ph	14
11	738 22 06-29	2	Bearing, 3ph	13
12	738 22 05-29	2	Bearing, 1ph	14
13	510 20 84-02	1	Motor kit, 3ph	
14	510 43 50-02	1	Motor kit, 1ph	
15	574 70 31-01	1	Motor bracket	
16	734 11 63-01	4	Washer	
17	725 54 55-01	4	Screw.	
18	721 44 09-01	1	Pin	
19	510 21 33-01	1	Hub, 3ph	
21	725 64 47-55	6	Screw	
22	510 21 30-01	1	Attachment plate	
23	510 21 31-01	6	Rubber damper	
24	725 54 51-55	4	Screw	
25	510 23 51-01	1	Washer, 3ph	
27	725 24 95-71	1	Screw, 3ph	
29	522 67 73-01	1	Holder disc	
30	725 64 49-55	6	Screw	
31	574 27 20-01	1	Rubber skirt	
32	525 55 51-01	1	Velcro	

B



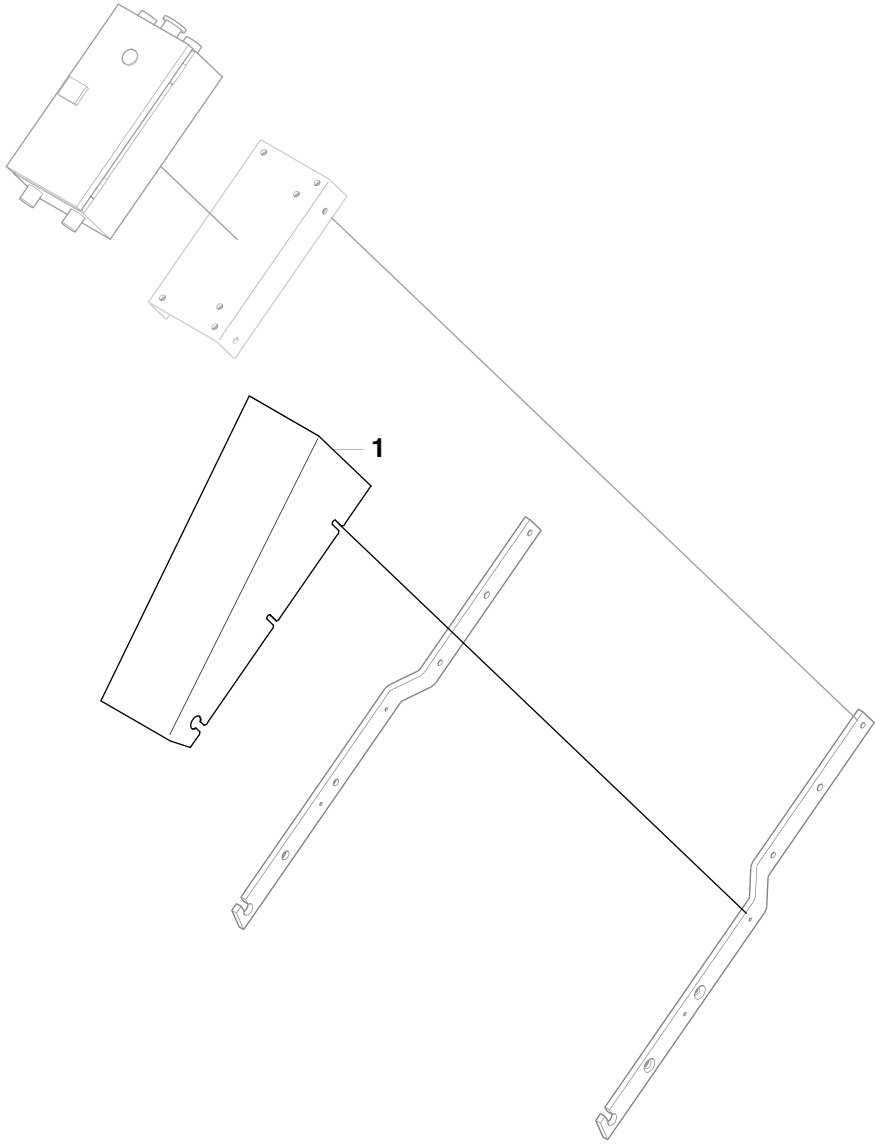
Position #	Article #	Quantity	Name	Kit
1	725 53 68-51	2	Screw	
2	725 24 93-76	2	Washer	
3	574 70 32-01	4	Bearing	4
4	504 18 55-01	2	Wheel	
5	725 64 93-76	2	Screw	
6	734 11 72-01	2	Washer	
7	510 21 75-01	2	Bushing	9
8	574 56 89-01	1	Kit, adjusting screw handle	9
9	510 21 68-01	1	Adjusting screw	
10	510 21 77-01	1	Shaft pivot	
11	510 21 57-01	1	Locking pin	
12	721 62 16-01	2	Cotter pin	
13	574 56 69-01	1	Chassis	

C



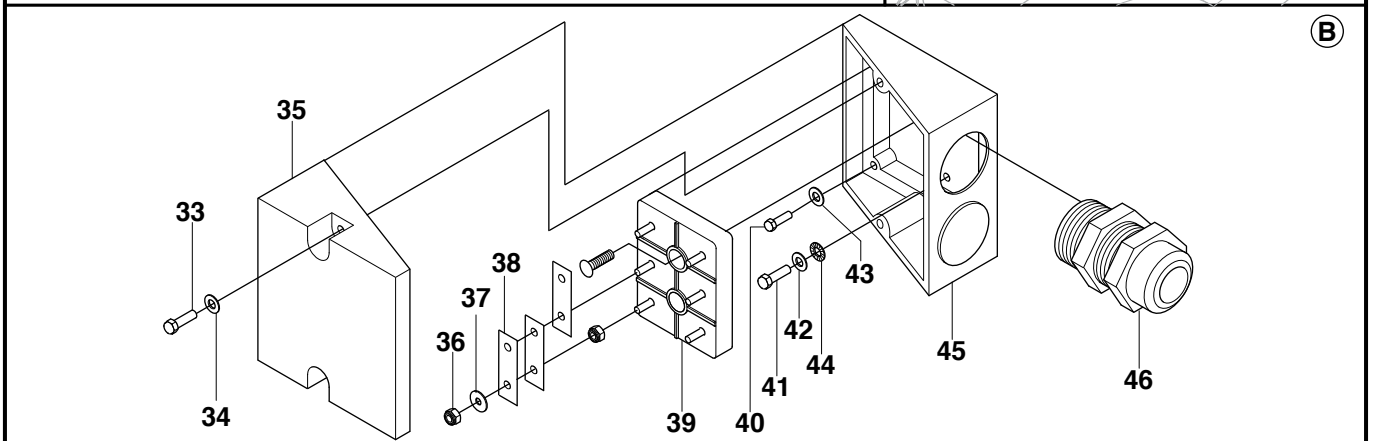
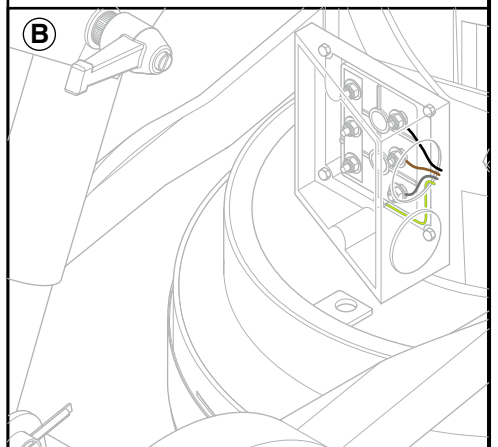
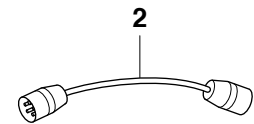
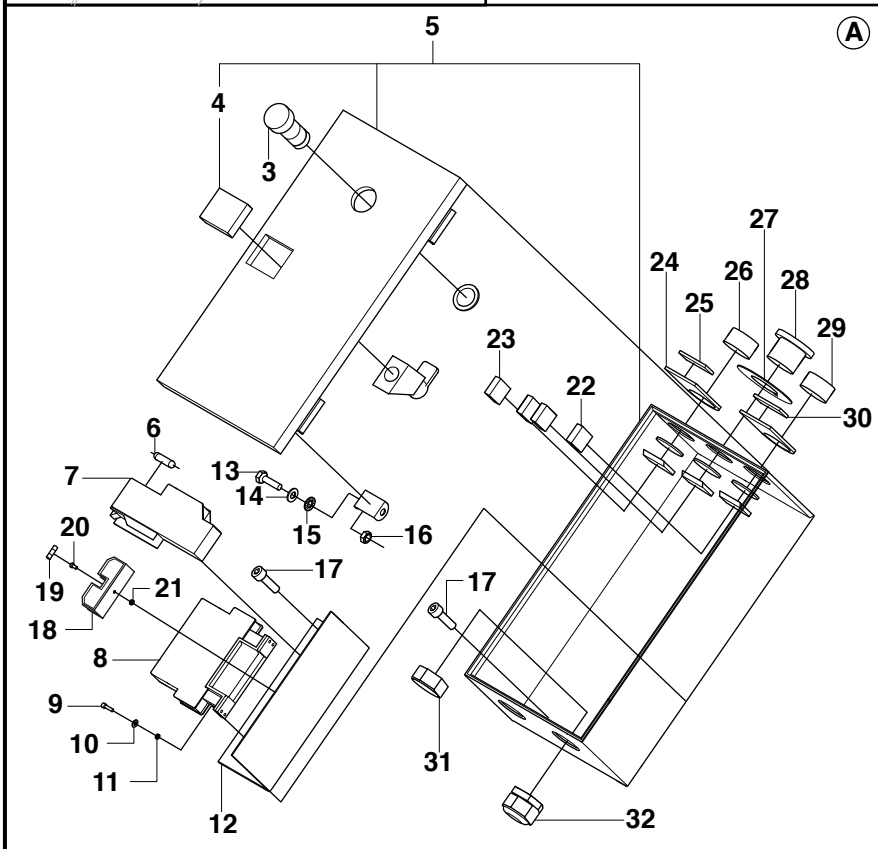
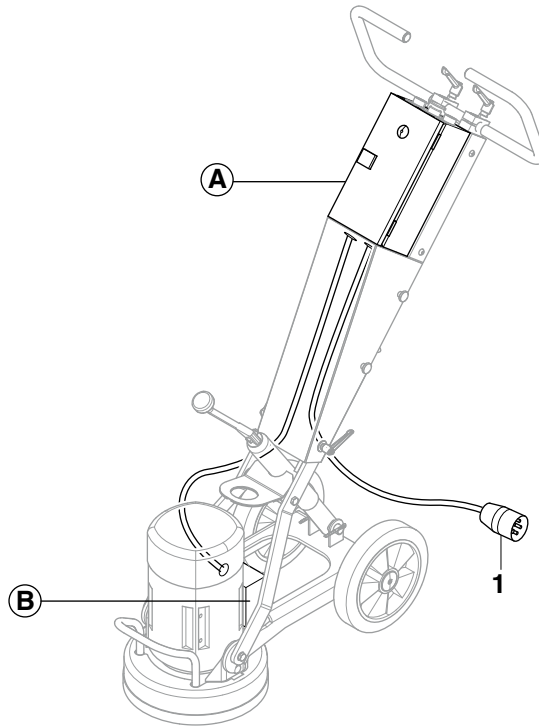
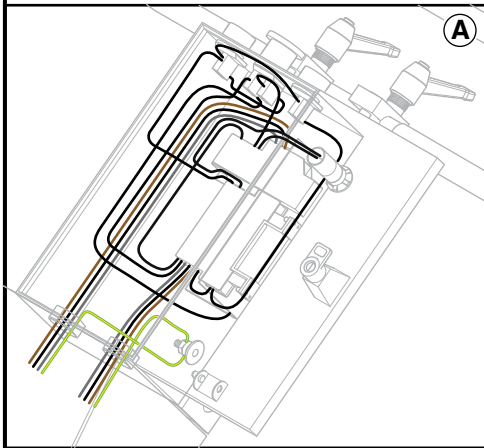
Position #	Article #	Quantity	Name	Kit
1	510 24 48-01	2	Locking handle	
2	510 22 96-01	2	Spacer, handle	
3	725 55 00-55	2	Screw	
4	510 22 93-01	4	Bracket, handle	
5	510 22 94-01	1	Handle, incl hose	
6	510 36 15-01	4	Screw	
7	510 22 88-01	1	Frame, handle	
8	510 22 78-01	4	Rubber damper	
9	725 24 49-71	4	Screw	
10	510 22 69-01	1	Fork, right	
11	732 25 20-01	3	Nut	
12	510 36 16-01	4	Screw	
13	725 64 93-55	2	Screw	
14	510 22 84-01	2	Screw	
15	510 22 82-01	2	Locking handle	
16	510 21 60-01	1	Arm, right	
17	510 22 70-01	1	Hose clip	
18	574 55 55-01	1	Kit, counterweight	
19	725 25 11-51	1	Screw	
20	510 22 68-01	1	Fork, left	
21	510 21 59-01	1	Arm, left	
22	725 25 00-81	2	Screw	
23	734 11 72-01	4	Washer	
24	732 25 20-01	2	Nut	
25	522 48 72-01	2	Spacer, counterweight	18

D



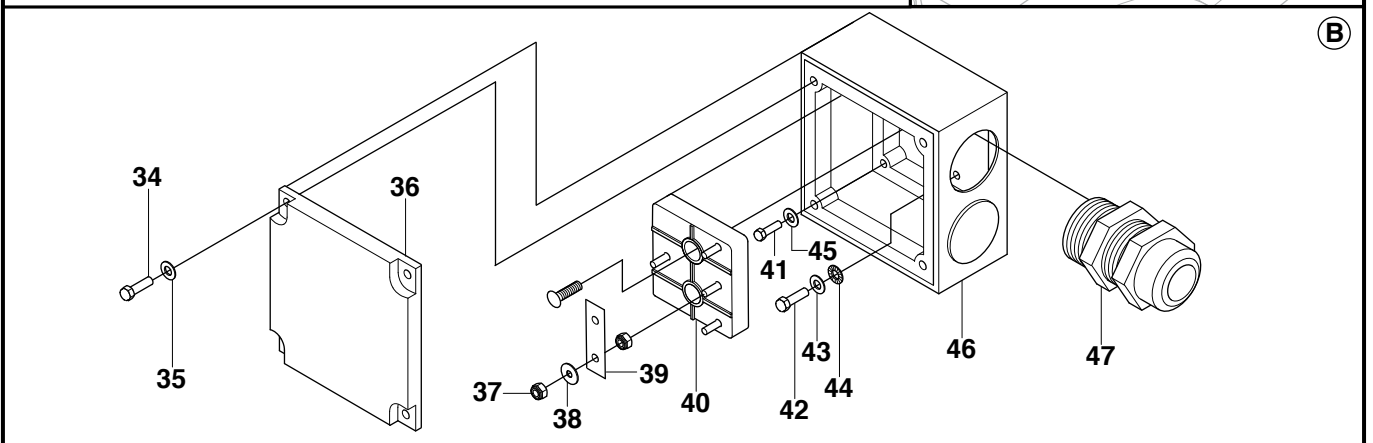
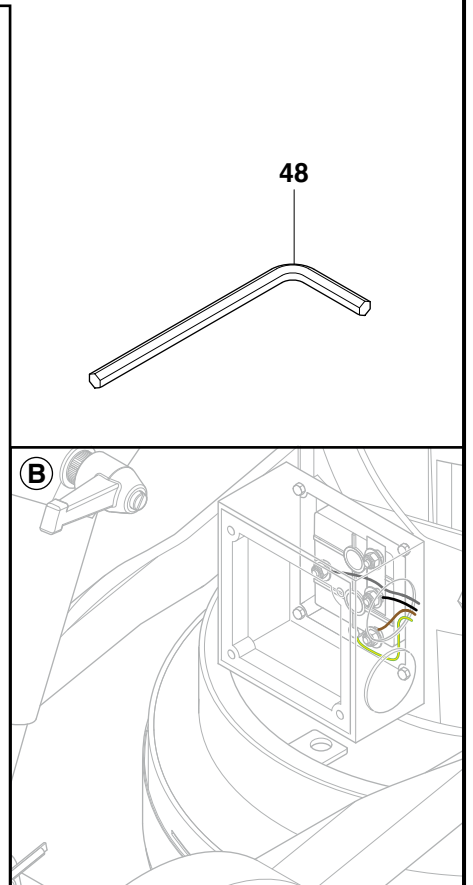
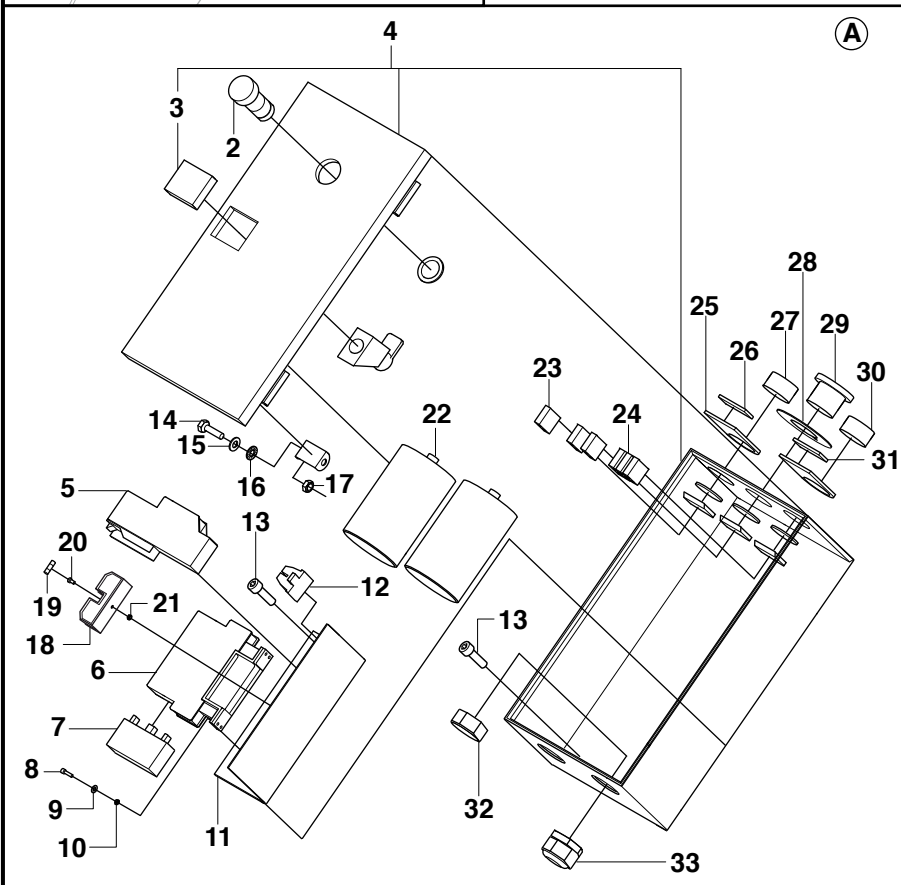
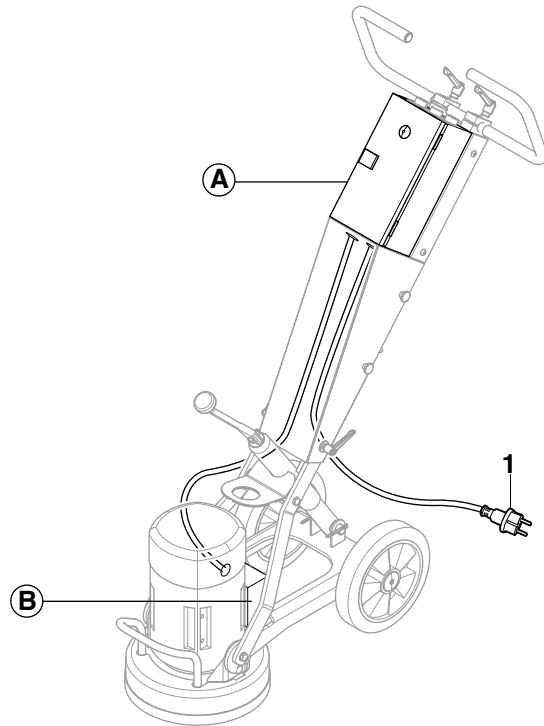
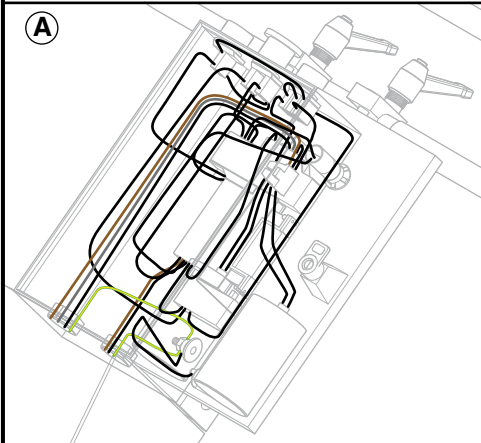
Position #	Article #	Quantity	Name	Kit
1	510 22 81-01	1	Cover	

E1 3-Phase



Position #	Article #	Quantity	Name	Kit
1	529 31 61 -01	1	Cable, incl plug	
2	574 52 41-01	1	Adapter, Australia	
3	510 43 48-01	1	LED	
4	516 06 21-01	1	Lock	5
5	525 63 82-01	1	E-box	
6	516 06 23-01	1	Resistor	
7	510 43 42-01	1	Overload protection	
8	510 43 08-01	1	Contactora	
9	725 52 93-01	4	Screw	
10	734 11 36-01	4	Washer	
11	732 25 12-01	4	Nut	
12	516 06 24-01	1	Sheet	
13	725 23 64-71	1	Screw	
14	734 11 52-01	2	Washer	
15	735 21 53-01	2	Washer	
16	731 23 16-01	2	Nut	
17	725 53 64-55	6	Screw	
18	525 88 26-01	1	Fuse holder	
19	525 63 81-01	2	Fuse	
20	725 53 25-01	1	Screw	
21	732 25 14-01	1	Nut	
22	510 43 15-01	1	Contact plate	
23	510 43 14-01	3	Contact plate	
24	510 43 30-01	2	Sign holder	
25	510 43 31-01	1	Stop sign	
26	510 43 11-01	1	Push button, red	
27	510 43 16-01	1	Warning sign	
28	510 43 13-01	1	Emergency stop button	
29	510 43 12-01	1	Push button, green	
30	510 43 32-01	1	Start sign	
31	510 43 18-01	2	Nut, counternut	
32	510 43 17-01	2	Strain reliever	
33	725 23 37-71	2	Screw	
34	516 06 29-01	2	Washer	
35	516 06 30-01	1	Lid	
36	731 23 14-01	12	Nut	
37	734 11 36-01	6	Washer	
38	516 06 31-01	3	Connection plate	
39	516 06 33-01	1	Terminal block	
40	725 23 29-71	4	Screw	
41	725 23 66-71	1	Screw	
42	734 11 52-01	1	Washer	
43	516 06 29-01	4	Washer	
44	735 21 53-01	1	Washer	
45	521 88 48-01	1	Box	
46	521 88 50-01	1	Cable grommet	

E2 1-Phase



Position #	Article #	Quantity	Name	Kit
1	525 84 19-01	1	Cable, incl plug, CH	
1	525 84 19-02	1	Cable, incl plug, Australia	
1	525 84 19-03	1	Cable, incl plug, EU	
2	510 43 48-01	1	LED	
3	516 06 21-01	1	Lock	4
4	525 63 82-02	1	E-box	
5	510 43 41-01	1	Overload protection	
6	510 43 09-01	1	Contactor	
7	510 43 49-01	1	Timer	
8	725 52 93-01	4	Screw	
9	734 11 36-01	4	Washer	
10	732 25 12-01	4	Nut	
11	516 06 24-01	1	Sheet	
12	510 43 34-01	1	Terminal block	
13	725 53 64-55	6	Screw	
14	725 23 64-71	1	Screw	
15	734 11 52-01	2	Washer	
16	735 21 53-01	2	Washer	
17	731 23 16-01	2	Nut	
18	525 63 80-01	1	Fuse holder	
19	525 63 81-01	1	Fuse	
20	725 53 25-01	1	Screw	
21	732 25 14-01	1	Nut	
22	510 43 33-01	2	Capacitor	
23	510 43 14-01	3	Contact plate	
24	510 43 15-01	3	Contact plate	
25	510 43 30-01	2	Sign holder	
26	510 43 31-01	1	Stop sign	
27	510 43 11-01	1	Push button, red	
28	510 43 16-01	1	Warning sign	
29	510 43 13-01	1	Emergency stop button	
30	510 43 12-01	1	Push button, green	
31	510 43 32-01	1	Start sign	
32	510 43 18-01	2	Nut, counternut	
33	510 43 17-01	2	Strain reliever	
34	521 88 80-01	4	Screw	
35	734 11 36-01	4	Washer	
36	521 88 81-01	1	Lid	
37	731 23 12-01	8	Nut	
38	734 11 36-01	4	Washer	
39	521 88 82-01	1	Connection plate	
40	521 88 83-01	1	Terminal block	
41	724 12 91-51	4	Screw	
42	521 88 84-01	4	Screw	
43	724 12 87-51	1	Washer	
44	734 11 36-01	1	Washer	
45	735 21 36-01	1	Washer	
46	521 88 85-01	1	Box	
47	521 88 86-01	1	Cable grommet	
48	531 11 95-36	1	Allen key	