

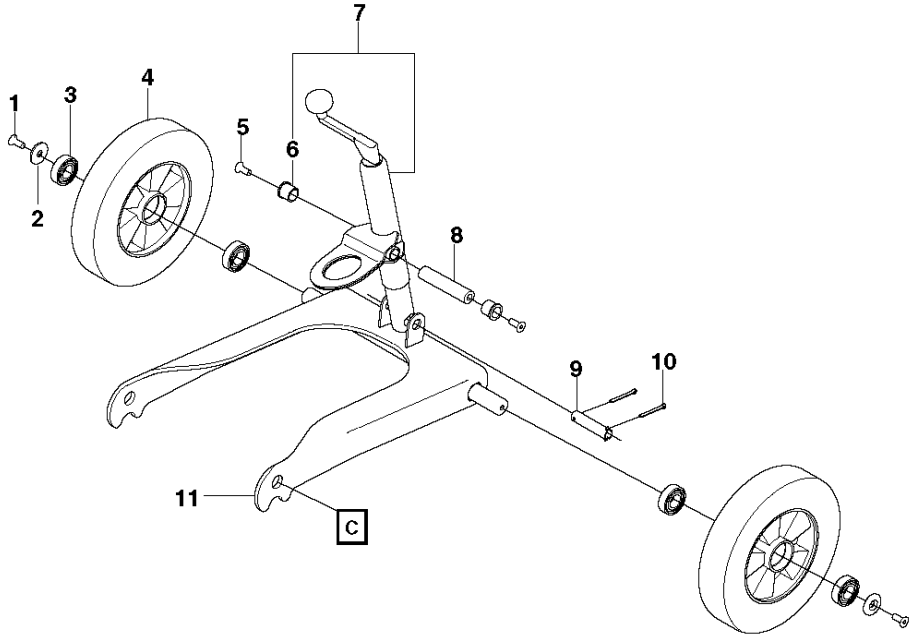


SPARE PARTS LIST

SURFACE PREPARATION EQUIPMENT

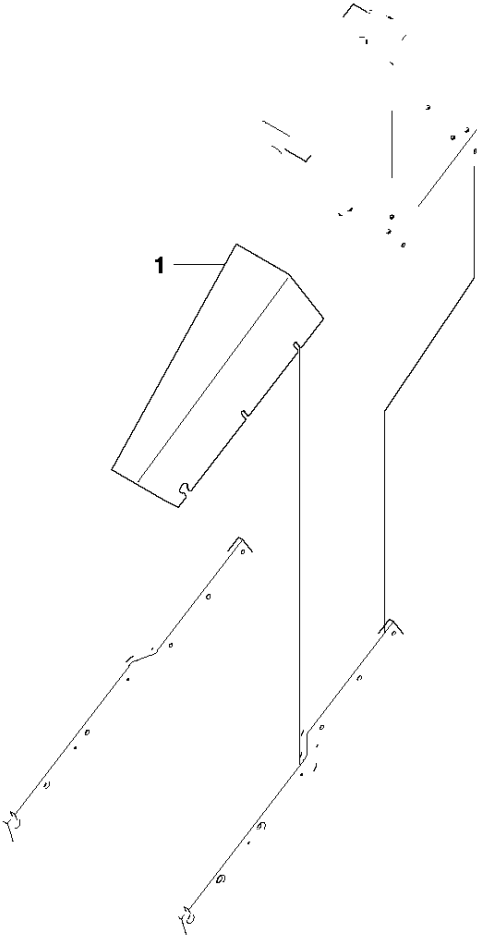
PG 400, Serial number 1-147, 2008-09

B



Ref	Part No	Description	Remark	QTY	KIT
1	725 64 93-55	SCREW IHCSFM		2	
2	510 23 64-01	WASHER		2	
3	522 52 77-01	BALL BEARING		2	
4	510 23 63-01	WHEEL		4	
5	725 64 91-55	SCREW IHCSFM		2	
6	510 23 88-01	BUSHING		2	7
7	510 23 83-01	ADJUSTMENT SCREW		1	
8	510 23 90-01	SHAFT PIVOT		1	
9	510 23 71-01	LOCKING PIN		1	
10	721 62 18-01	PEN		2	
11	510 23 53-01	CHASSIS		1	

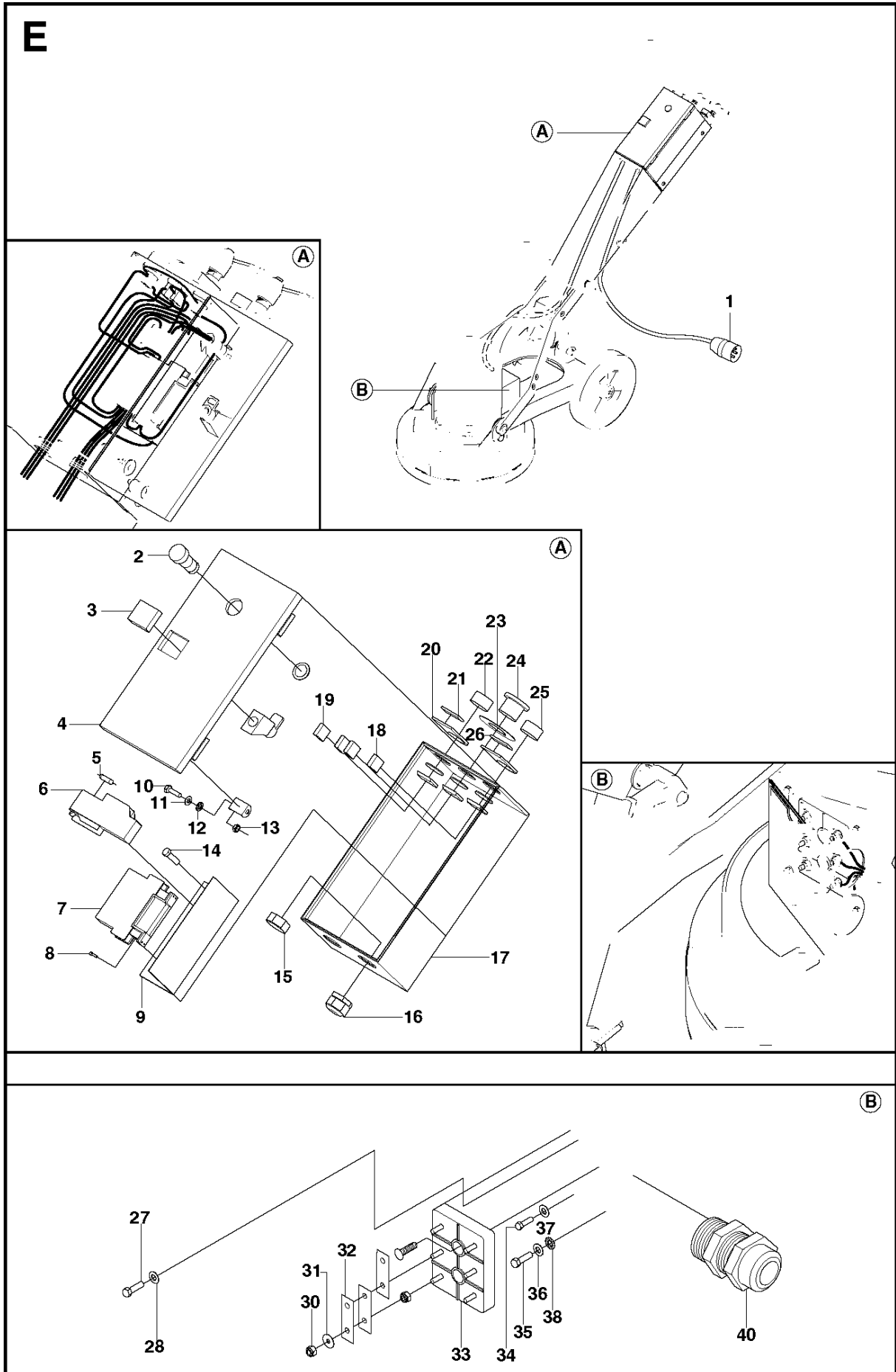
D



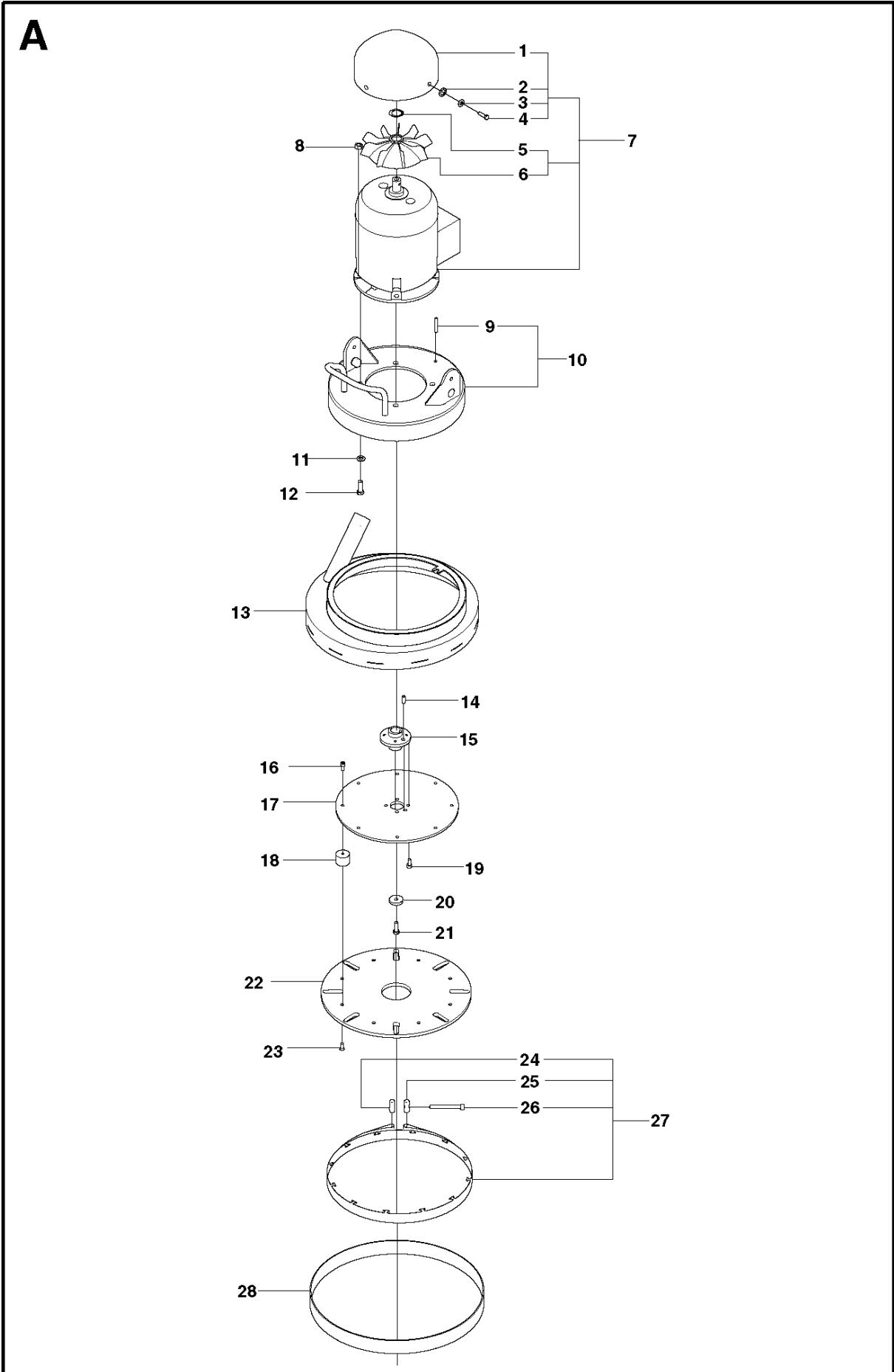
Dust cover

PG 400, Serial number 1-147, 2008-09

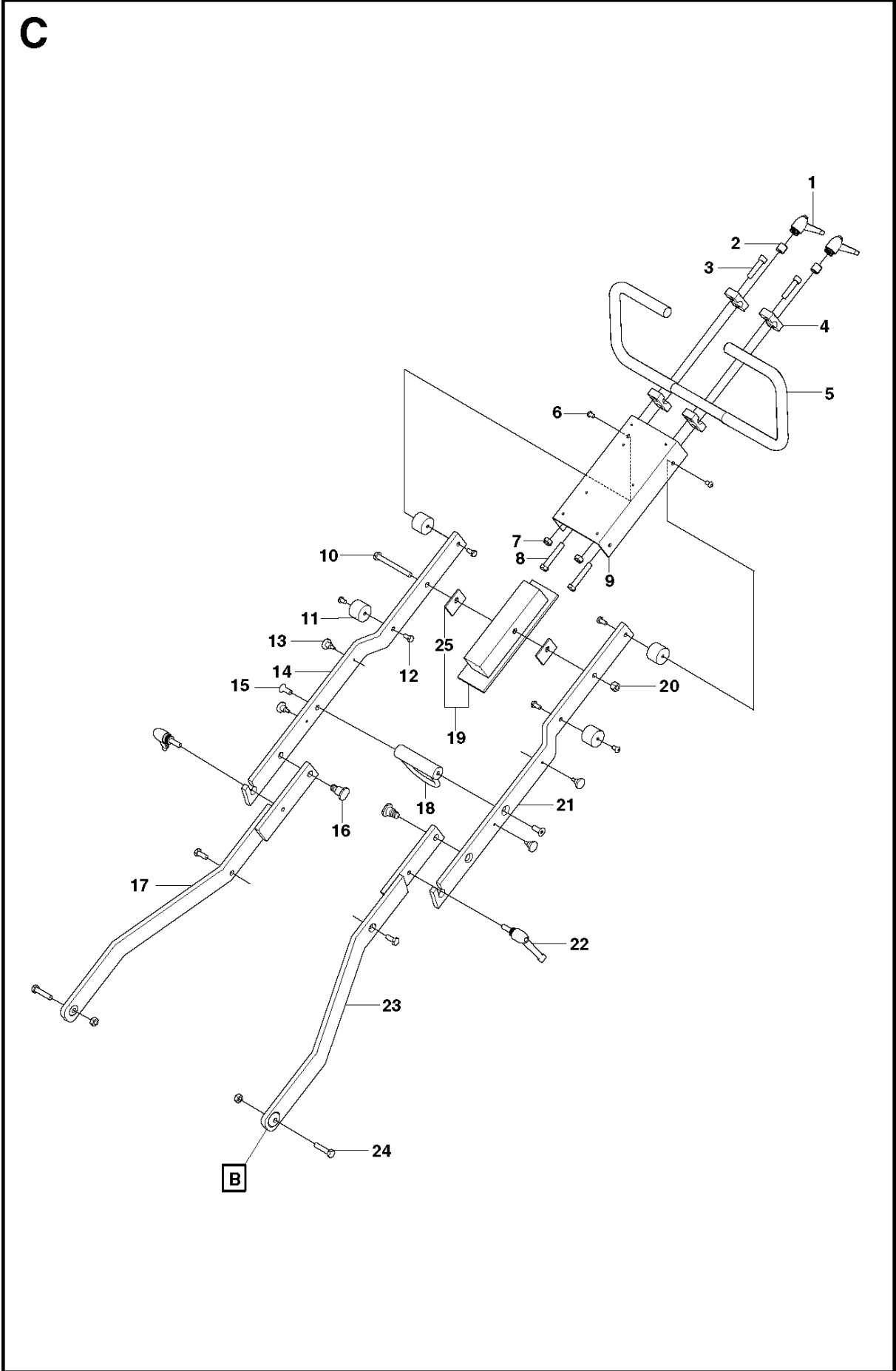
Ref	Part No	Description	Remark	QTY KIT
1	510 22 81-01	DUST COVER		1



Ref	Part No	Description	Remark	QTY KIT
1	510 43 38-01	PLUG		1
2	510 43 48-01	LED		1
3	516 06 21-01	LOCK		1
4	516 06 22-01	LID		1
5	516 06 23-01	RESISTOR		1
6	510 43 43-01	OVERLOAD PROTECTION		1
7	510 43 08-01	CONTACTOR		1
8	723 12 89-51	SCREW SLCHM		4
9	516 06 24-01	SHEET		1
10	725 23 68-71	SCREW EHHM		1
11	734 11 52-01	WASHER		2
12	735 21 53-01	LOCKWASHER		2
13	731 23 16-01	HEXAGON NUT		2
14	724 13 64-51	SCREW CRPANM		2
15	510 43 18-01	NUT		2
16	510 43 17-01	CABLE GROMMET		2
17	510 43 07-01	ELECTRIC BOX		1
18	510 43 15-01	CONTACT PLATE		1
19	510 43 14-01	CONTACT PLATE		3
20	510 43 30-01	HOLDER		2
21	510 43 31-01	SIGN		1
22	510 43 11-01	PUSH BUTTON		1
23	510 43 16-01	SIGN		1
24	510 43 13-01	PUSH BUTTON		1
25	510 43 12-01	PUSH BUTTON		1
26	510 43 32-01	SIGN		1
27	725 23 37-71	SCREW EHHM		2
28	516 06 29-01	LOCKWASHER		2
30	731 23 14-01	HEXAGON NUT		12
31	734 11 46-01	WASHER		6
32	516 06 31-01	CONNECTION PLATE		3
33	516 06 33-01	TERMINAL BLOCK		1
34	725 23 29-71	SCREW EHHM		4
35	725 23 66-71	SCREW EHHM		1
36	734 11 52-01	WASHER		1
37	516 06 29-01	LOCKWASHER		4
38	735 21 53-01	LOCKWASHER		1
40	521 88 50-01	CABLE GROMMET		1



Ref	Part No	Description	Remark	QTY	KIT
1	731 23 22-01	HEXAGON NUT		4	7
2	510 23 22-01	MOTOR		4	7
3	721 43 85-01	PEN		4	7
4	510 23 23-01	MOTOR BRACKET		4	7
5	734 11 80-41	WASHER		1	7
6	725 25 38-71	SCREW EHHM		1	7
7	510 23 30-01	DUST COVER		1	
8	721 44 09-01	PEN		1	
9	510 21 33-01	HUB		1	10
10	725 54 49-55	SCREW IHSCM		1	
11	510 23 43-01	ATTACHMENT PLATE		4	
12	510 21 31-01	DAMPER		4	
13	725 54 51-55	SCREW IHSCM		1	
14	510 23 51-01	WASHER		1	
15	725 24 95-71	SCREW EHHM		1	
16	510 22 14-01	HOLDER		8	
17	725 64 49-55	SCREW IHCSFM		1	
18	510 21 27-01	PEN		8	
19	510 21 28-01	PEN		4	
20	725 55 09-55	SCREW IHSCM		1	
21	510 23 39-01	RING FASTENER		1	
22	510 23 28-01	DUST COVER		1	
23	522 46 40-01	LOCKWASHER		8	
24	522 46 42-01	WASHER		1	27
25	725 23 25-77	SCREW EHHM		1	27
26	725 31 28-01	CLIP		1	27
27	522 48 66-01	FAN COVER		1	
28	510 23 29-01	RUBBER RING		1	



Ref	Part No	Description	Remark	QTY	KIT
1	510 24 48-01	HANDLE		2	
2	510 22 96-01	SPACER		2	
3	725 55 00-55	SCREW IHSCM		2	
4	510 22 93-01	BRACKET		4	
5	510 22 94-01	HANDLE		1	
6	510 36 15-01	SCREW IHPANM		4	
7	510 36 17-01	NUT		2	
8	725 25 04-51	SCREW EHHM		2	
9	510 22 88-01	FRAME		1	
10	725 25 11-71	SCREW EHHM		1	
11	510 22 78-01	DAMPER		4	
12	725 24 49-71	SCREW EHHM		4	
13	510 36 16-01	SCREW		4	
14	510 23 92-01	FORK		1	
15	725 64 93-55	SCREW IHCSFM		2	
16	510 24 09-01	BUSHING		2	
17	510 23 76-01	ARM		1	
18	510 23 94-01	HOSE CLIP		3	
19	574 55 55-02	KIT		1	
20	732 25 20-01	HEXAGON LOCKING NUT		1	
21	510 23 93-01	FORK		1	
22	510 24 44-01	HANDLE		2	
23	510 23 81-01	ARM		1	
24	725 24 99-71	SCREW EHHM		2	
25	522 48 72-02	SPACER		2	19